

CESSNA™ 180/185 and AGCARRYALL 1963 thru 1973 PARTS CATALOG

Click on a link below

[LIST OF PARTS FIGURES](#)

[INTRODUCTION](#)

[ALPHABETICAL INDEX](#)

[PARTS LISTING](#)

[NUMERICAL INDEX](#)

[TOOLBAR HELP](#)

[REVISION INFO](#)

[Open/Close
Bookmarks](#)

Copyright 2001-2003 **McCurtain Technology Group. All Rights Reserved.**
CESSNA is a trademark of The Cessna Aircraft Company.

TOOLBAR HELP



The **Print** button allows you to print any specific page(s).



The **Show/Hide Navigation Pane** button opens or closes the lefthand column of bookmarks or thumbnails. Click on this button and the Actual Size or Fit Width button to enlarge text for reading.



The **Hand** tool enables you to move a single document page on the screen when the page does not fit within the main window. Drag the hand tool in the direction you want to move the page. A pointing hand indicates a hyperlink is present at that location.



The **Zoom** tool magnifies and reduces the page display. The “+” zooms in. To view the “-” and zoom out, choose the Zoom tool and hold down the Ctrl key. Click on the hand tool and the Actual Size button to exit and resize the page.



The **First Page** button moves the document to the first page.



Previous Page – moves you back one page in the document.



Next Page – moves you forward one page in the document.



The **Last Page** button moves the document to the last page.



The **Go Back** and **Go Forward** buttons retrace your steps through a document, moving to each view in the order visited.



The **Actual Size** button displays the page at 100%.



The **Fit Page** button scales the page to fit within the window.



The **Fit Width** button scales the page to fill the width of the window.

The lower toolbar (shown below) provides some of the same functions but provides some additional information. The page number matches the page number printed on the current document page (12-1). The zoom level is also shown (100%). The down arrow button to the right of the zoom level allows for zoom adjustment. The double arrow button on the far left will open/close the navigation pane. The buttons on both sides of the page number provide the same paging functions as the upper toolbar paging buttons.



For additional help, click on the **Help** command on the right side of the top command line. Click on the **Go Back** button to return to the manual.

CESSNA 180/185 PARTS FIGURES (1961-1973)

This 7-page list of part figures is text searchable; use the find command (Binoculars).
Click on any figure name to view the figure.

1. Miscellaneous Bulk items
2. (Sheet 1 of 2) Placards, Nameplates & Exterior Markings
2. (Sheet 2 of 2) Placards, Nameplates & Exterior Markings
- 2A. (Sheet 1 of 2) Placards, Nameplates & Exterior Markings
- 2A. (Sheet 1 of 2) Placards, Nameplates & Exterior Markings
- 2B. (Sheet 1 of 4) Placards, Nameplates & Exterior Markings
- 2B. (Sheet 2 of 4) Placards, Nameplates & Exterior Markings
- 2B. (Sheet 3 of 4) Placards, Nameplates & Exterior Markings
- 2B. (Sheet 4 of 4) Placards, Nameplates & Exterior Markings
- 2C. (Sheet 1 of 2) Placards, Nameplates & Exterior Markings
- 2C. (Sheet 2 of 2) Placards, Nameplates & Exterior Markings
3. Wing Assembly Complete
- 3A. Wing Assembly Complete
4. Wing Structure Assembly
5. Wing Structure Assembly
6. Wing Structure Assembly Extended Range
- 6A. Wing Structure Assembly
7. Wing Leading Edge Assembly
8. Wing Leading Edge Assembly
- 8A. Wing Leading Edge Assembly
9. Wing Spar Assemblies
10. Wing Spar Assemblies
- 10A. Wing Spar Assemblies
11. Skins and Stringers Installation
12. Skins and Stringers Installation
- 12A. Skins and Stringers Installation
13. Fuel Tank Installation
- 13A. Fuel Tank Drain Valve Installation
14. Aileron Installation
15. Flap Installation
16. Strut Installation

17. Fin & Dorsal Installation
18. Fin & Dorsal Installation
19. Stabilizer installation
20. Rudder Assembly
21. Elevator Installation
22. Fuselage Assembly
23. Fuselage Assembly
24. Fuselage Front and Center Section
25. Fuselage Front and Center Section
26. Rear Cabin Top Skin Assembly
27. Fuselage Center Section Floorboards Installation
28. Fuselage Front Section Structure Assembly
29. Fuselage Front Section Structure Assembly
30. Landing Gear Bulkhead Assembly
31. Windshield Installation
32. Fuselage Bulkhead Assembly Sta. 65.33
- 32A. Fuselage Bulkhead Assembly Sta. 65.33
33. Firewall Assembly
34. Firewall Grommets Installation
- 34A. Firewall Grommets Installation
35. Fuselage Aft Section Assembly
- 35A. Fuselage Aft Section Assembly
- 35B. Litter Door Components Installation
36. Battery Box Assembly
37. Battery Box Assembly
38. Fuselage Tailcone Assembly
39. Stinger Installation
40. Main Landing Gear Installation
- 40A. Main Landing Gear Installation (Crosswind)
41. Landing Gear Installation
42. Main Landing Gear Wheel & Brake Assembly
- 42A. Main Landing Gear Wheel & Brake Installation
- 42B. Main Landing Gear Wheel & Brake Assembly - Crosswind
43. Main Landing Gear Wheel & Brake Assembly

- 44. Crosswind Wheel and Brake Assembly
- 45. Tailwheel Installation
- 46. Tailwheel Installation – Anti-Swivel
 - 46A. Tailwheel Installation – Anti-Swivel
 - 46B. Tailwheel & Lock Installation – Manual
- 47. Tailwheel Assembly
- 48. Tail Wheel Assembly
 - 48A. Tail Wheel Assembly
 - 48B. Tail Wheel Assembly
- 49. Left Cabin Door Installation
- 50. Right Cabin Door Installation
- 51. Removable Latch Assembly
 - 51A. Cabin Door Latch Assembly
- 52. Baggage Door Installation
- 53. Cabin Top & Firewall Upholstery Installation
- 54. Cabin Doors Upholstery Information
- 55. Floorboard Upholstery Installation
- 56. Floorboards Upholstery Installation (Deluxe)
- 57. Cabin Side Panels & Baggage Compartment Upholstery Installation
 - 57A. Cabin Side Panels & Baggage Compartment Upholstery Installation
- 58. Cabin Side Panels & Baggage Compartment Upholstery Installation
- 59. Front Seat Installation
 - 59A. Reclining Front Seat
- 60. Front Seat Installation
- 61. Front Seat Installation
 - 61A. Front Seat Installation
- 62. Adjustable Front Seat Installation
- 63. Vertically Adjustable Front Seat
 - 63A. Pilot & Copilot Power Adjustable Front Seat
 - 63B. Power Seat Bottom Assembly – Pilot & Copilot
 - 63C. Infinitely Adjustable Front Seat Installation
- 64. Rear Seat Installation
 - 64A. Rear Seat Installation
- 65. Stowable Rear Seats Installation

- 65A. Divided Middle Seat Assembly
- 65B. Child Seat Installation
- 66. Auxiliary Seat Installation
- 67. Instrument Panel Equipment Installation and Assembly
- 68. Instrument Panel Equipment Installation & Assembly
 - 68A. Instrument Panel Equipment Installation
 - 68B. Instrument Panel Equipment Installation
 - 68C. Instrument Panel Equipment Installation
 - 68D. Switch and Circuit Breaker Installation
 - 68E. Switch and Circuit Breaker Installation
- 69. Glove Box and Map Case Installation
 - 69A. Glove Box Installation
- 70. Fuselage Equipment Installation
 - 70A. Wire Cutter and Cable Deflector Installation
 - 70B. Auxiliary Refueling Equipment Installation
- 71. Propeller Installation
- 72. McCauley Propeller Assembly
 - 72A. McCauley Propeller Installation
 - 72B. McCauley Propeller Installation
 - 72C. McCauley Propeller Installation
- 73. Engine Cowl Installation
 - 73A. Engine Cowl Installation
- 74. (Sheet 1 of 2) Engine Installation
- 74. (Sheet 2 of 2) Engine Installation
- 75. Engine Installation
- 76. (Sheet 1 of 2) Engine Assembly
- 76. (Sheet 2 of 2) Engine Assembly
- 77. Engine Assembly
 - 77A. Non-Congeaing Oil Cooler Installation
- 78. Induction System Air Box Assembly
 - 78A. Induction Air Box Assembly
- 79. Propeller Governor Assembly
 - 79A. Propeller Governor Assembly
- 80. Propeller Governor Assembly – Hoof

81. Propeller Governor Assembly – Garwin
 - 81A. Governor Assembly
 - 81B. Propeller Governor Assembly – Garwin
 - 81C. Propeller Governor Assembly
 - 81D. Governor Assembly
82. Exhaust Stacks Installation
83. Engine Exhaust Stack
84. Engine Baffles Installation
85. Engine Baffles Installation
86. Winterization Equipment Installation
87. Cowl Flaps Control System Installation
 - 87A. Cowl Flaps Extension Installation - AGcarryall
88. Cabin Ventilation System Installation
 - 88A. Cabin Ventilation System Installation
89. Manifold Cabin Heater Installation
90. Brake System Installation
91. Rudder and Brake Pedal Installation
92. Rudder and Brake Pedal Installation
93. Brake Master Cylinder Assembly
94. Control Tee Installation
 - 94A. Control Yoke Installation
 - 94B. Control Wheel & Switches Installation
95. Aileron Control System Installation
 - 95A. Wing Leveler Installation
 - 95B. Wing Leveler Components
96. Elevator Control System Installation
97. Flap Control System Installation
98. Rudder Control System Installation
99. Rudder Control System Installation
 - 99A. Rudder Trim Installation
100. Stabilizer Trim Control System Installation
 - 100A. Stabilizer Trim Wheel Assembly Installation
101. Pitot System Installation
102. Pitot System Installation

- 102A. Alternate Static Source Installation
- 102B. Stall Warning Horn Installation
- 103. Fuel System
- 104. Fuel System Installation
- 105. Fuel System – Selectable Tank
- 106. Fuel System Installation
- 107. Fuel Pump & Strainer Installation
- 108. Auxiliary Fuel Pump Installation
- 109. Fuel Strainer Assembly & Drain Installation
- 110. Fuel Strainer & Drain Installation
- 110A. Fuel Strainer & Drain Control Installation
- 111. Fuel Strainer & Drain Control Installation
- 112. Fuel Selector Valve Assembly
- 113. Oil System Installation
- 113A. Oil Filter Installation
- 114. Oil System Installation
- 115. Full Flow Oil Filter Installation
- 116. Vacuum System Installation
- 117. Vacuum System Installation
- 117A. Vacuum System Installation
- 117B. Vacuum System Installation
- 117C. Vacuum System Installation
- 117D. Vacuum System Installation – Forward of Firewall
- 118. Fuel Primer System Installation
- 118A. Fuel Primer System Installation
- 119. Oxygen System Installation
- 120. Oxygen System Installation
- 120A. Oxygen System Installation
- 120B. Oxygen System Installation
- 120C. Oxygen System Installation
- 121. Fuselage Electrical Equipment Installation
- 122. Fuselage Electrical Equipment Installation
- 123. Cabin Lights & Courtesy Light Installation
- 123A. Map Light installation

- 123B. Shock Mounted Alternator
- 124. Rotating Beacon Installation
- 124A. Flashing Beacon Installation
- 125. Ground Service Plug Installation
- 125A. Ground Service Plug Installation
- 125B. Landing Light Installation – Cowl
- 126. Floatplane Fittings Installation
- 127. Floatplane Fittings (EDO No. 249-2870)
- 128. Amphibian Fittings
- 129. Cargo Pod Installation
- 130. Stretcher Installation
- 131. Center-Line Camera Provision
- 132. Center-Line Camera Provision
- 133. Off-Center Camera Provisions
- 134. Tactair T-3 Autopilot Installation
- 135. Tactair T-2 Autopilot Installation
- 136. Vacuum System for Tactair Auto Pilot

This page intentionally left blank.



AIRCRAFT COMPANY

COMMERCIAL AIRCRAFT DIVISION

Wichita, Kansas

**SERIAL APPLICABILITY FOR MODELS COVERED
IN THIS CATALOG ARE SHOWN AS FOLLOWS:**

18051184 THRU 18051993 FOR THE MODEL 180

18051994 & ON FOR THE MODEL SKYWAGON 180

**185-0001 THRU 185-1447 FOR THE MODEL 185 SKYWAGON
(260 HP ENGINE 185 AND 300 HP ENGINE A185)**

**185-1448 & ON FOR THE MODEL SKYWAGON 185
(300 HP ENGINE A185)**

18501935 & ON FOR THE MODEL AG CARRYALL

**ALL INFORMATION APPLICABLE TO SERIALS 185-0968
AND HIGHER IS APPLICABLE TO AIRCRAFT WITH
EITHER ENGINE UNLESS SPECIFICALLY NOTED.**

**THIS CATALOG SUPERSEDES ALL PREVIOUS 180F, G, & H
AND 185 SERIES PARTS CATALOGS**

1 NOVEMBER 1972

INSERT LATEST CHANGED PAGES. DESTROY SUPERSEDED PAGES.

LIST OF EFFECTIVE PAGES

Dates of issue for original and changed pages are:

Original 0 . . . 1 November 1972

TOTAL NUMBER OF PAGES IN THIS PUBLICATION IS 730 CONSISTING OF THE FOLLOWING:

Page No.	Change No.	Page No.	Change No.	Page No.	Change No.
Title	0	33A	0	92 thru 97	0
A	0	33B blank	0	97A thru 97C	0
B	0	33C	0	97D blank	0
C blank	0	33D	0	98 thru 100.	0
i thru vi	0	34 thru 36	0	101 blank	0
vii blank	0	36A blank	0	102	0
viii thru x	0	36B	0	103	0
x-a thru x-e	0	37 thru 50	0	103A thru 103C.	0
x-f blank	0	51 blank	0	103D blank.	0
xi thru xlvii	0	52 thru 57	0	103E	0
xlviii blank	0	57A	0	103F	0
1 thru 3	0	57B blank	0	104 thru 108	0
3A	0	58 thru 62	0	109 blank	0
3B	0	62A	0	110 thru 113	0
4	0	62B	0	113A thru 113C.	0
4A	0	63 thru 68	0	113D blank	0
4B	0	69 blank	0	113E thru 113H.	0
5	0	70.	0	114 thru 117	0
6	0	71.	0	117A thru 117E.	0
6A	0	71A	0	117F blank	0
6B blank	0	71B	0	118 thru 125	0
7	0	72 thru 78	0	125A	0
7A thru 7H.	0	79 blank	0	125B	0
7J.	0	80	0	126 thru 133	0
7K	0	81	0	133A	0
8 thru 11.	0	81A	0	133B blank	0
11A thru 11C.	0	81B	0	134 thru 138	0
11D blank	0	82	0	138A thru 138D.	0
12 thru 17	0	83	0	139 thru 143	0
17A	0	83A	0	143A thru 143C.	0
17B blank	0	83B blank	0	143D blank	0
18 thru 21	0	84	0	144 thru 149	0
21A thru 21C.	0	85	0	149A thru 149C.	0
21D blank	0	85A	0	149D blank	0
22 thru 25	0	85B	0	150 thru 155	0
25A	0	86 thru 88	0	155A	0
25B blank	0	88A blank	0	155B	0
25C	0	88B thru 88D.	0	155C blank	0
25D	0	88E blank	0	155D thru 155H.	0
26 thru 29	0	88F	0	155J thru 155N.	0
29A	0	88G	0	155P blank	0
29B blank	0	88H blank	0	156	0
29C	0	89.	0	157	0
29D	0	90.	0	157A	0
30 thru 33	0	91 blank	0	157B blank	0

Upon receipt of the second and subsequent changes to this book, personnel responsible for maintaining this publication in current status should ascertain that all previous changes have been received and incorporated.

* The asterisk indicates pages changed, added, or deleted by the current change.

INSERT LATEST CHANGED PAGES. DESTROY SUPERSEDED PAGES.

LIST OF EFFECTIVE PAGES

Dates of issue for original and changed pages are:

Original 0 1 November 1972

Page No.	Change No.	Page No.	Change No.	Page No.	Change No.
157C	0	199A	0	247B blank	0
157D	0	199B	0	248 thru 250	0
158	0	200 thru 203	0	250A thru 250D	0
159	0	203A thru 203H	0	251 thru 259	0
159A	0	204 thru 209	0	259A	0
159B blank	0	209A	0	259B	0
159C thru 159F	0	209B blank	0	260 thru 262	0
160 thru 171	0	210 thru 215	0	263 blank	0
171A thru 171H	0	215A	0	264 thru 271	0
171J thru 171N	0	215B blank	0	271A	0
171P	0	216	0	271B	0
171Q	0	217	0	272 thru 275	0
171R blank	0	217A thru 217C	0	275A	0
171S thru 171V	0	217D blank	0	275B blank	0
172 thru 177	0	218	0	275C	0
177A	0	219	0	275D	0
177B blank	0	219A	0	276 thru 285	0
177C thru 177F	0	219B blank	0	285A thru 285H	0
178	0	220	0	285J	0
179	0	221	0	285K	0
179A	0	221A	0	286	0
179B blank	0	221B blank	0	287	0
180	0	222 thru 225	0	287A	0
181	0	225A	0	287B	0
181A thru 181H	0	225B	0	288 thru 291	0
181J blank	0	226 thru 228	0	291A thru 291H	0
181K	0	228A	0	291J	0
182 thru 184	0	228B	0	291K	0
184A thru 184D	0	229	0	292 thru 297	0
185	0	229A	0	297A	0
186	0	229B	0	297B blank	0
186A	0	230	0	298 thru 300	0
186B	0	230A	0	301 blank	0
187	0	230B	0	301A thru 301D	0
187A	0	230C blank	0	302	0
187B	0	230D thru 230H	0	303	0
188 thru 193	0	231 thru 239	0	303A	0
193A thru 193D	0	239A	0	303B	0
194 thru 196	0	239B blank	0	304	0
196A thru 196C	0	240	0	304A	0
196D blank	0	241	0	304B	0
196E	0	241A	0	305 thru 326	0
196F	0	241B	0	327 blank	0
197	0	242 thru 244	0	328 thru 339	0
197A	0	244A blank	0	340 blank	0
197B	0	244B	0	341 thru 402	0
198	0	245 thru 247	0		
199	0	247A	0		

Upon receipt of the second and subsequent changes to this book, personnel responsible for maintaining this publication in current status should ascertain that all previous changes have been received and incorporated.

* The asterisk indicates pages changed, added, or deleted by the current change.

This page intentionally left blank.

INTRODUCTION.

This illustrated parts catalog has been prepared to aid you in easily and quickly identifying parts of the models covered herein.

This catalog features an index system consisting of:

1. An alphabetical index located in the front of the catalog.
2. A numerical index located in the back of the catalog, which lists all parts and figures in which they appear.

STANDARD PARTS.

Many parts having standard usage have been incorporated into the Cessna Standard System. Parts in this group are designated with the part number prefix "S".

For standard hardware items such as Tinnerman nuts, clamps, etc., "AN" and "NAS" numbers have been used.

USABLE ON CODES. . . . Serial listings in this catalog are noted by a letter code located in the usable on code column which is the extreme right hand column of the parts list page. Usable on codes are applicable only to the figure on which they appear. The code letters and the serials to which they apply are listed at the end of the figure.

If no usable on code appears opposite a first column listing of the figure, the usage is applicable to all models and serials covered by this catalog. If no usable on code appears opposite any indented listing, the usage is applicable to all models and serials covered by the figure on which it appears.

Bold face type serials appearing on certain figures are for quick reference to large blocks of airplanes.

NON-INTERCHANGEABLE PARTS. . . . When parts are not interchangeable with earlier models, all parts applicable to the particular usage are listed. The letter code for the individual part usage is listed in the usable on column opposite each part. Care should be exercised in determining proper serial when ordering to insure receipt of correct part.

INTERCHANGEABLE PARTS. . . . When a later design part is completely interchangeable with the part it replaces, both parts will be serialized and the notation "when exhausted use ___", or the abbreviation, "WEU ___" will be entered following the listing of the earlier design part. This means that the earlier design part should be used on airplanes to which they apply until the supply of these parts is exhausted--after which time the later design part must be used. This is done to simplify stocking of parts by our distributors and dealers. The earlier part is as good, physically and functionally, as the later design part--the difference being the later design part can be used on more than one block of airplane serials.

SYMBOLS & PART NUMBER TERMS.

NP - The symbol "NP" appearing in the units per assembly column denotes that the item it appears opposite is not procurable.

AR - The symbol "AR" appearing in the units per assembly column denotes "As Required" and is used to indicate bulk quantity where an indefinite amount is used.

The following is a list of abbreviations that may appear in the description nomenclature:

ALT - Alternate part	INSTL - Installation
ASSY - Assembly	LH - Left hand
BKI - Bulk item	RH - Right hand
FSO - For spares order	WEU - When exhausted use

Other key letter symbols spaced apart from and following the part nomenclature are for cataloging and manufacturing purposes only and are not to be considered by the customer.

A blank entry in the part number column appears before an unprocurable part or installation which is also denoted in the "Units Per Assembly" column by the use of the symbol NP.

GROUP ASSEMBLY PARTS LIST ARRANGEMENT.

This section lists all replaceable items in the airplane and these items are detailed on illustrations throughout the section. The index numbers on the illustration are keyed to each accompanying parts list. The purpose of the index numbers is to provide complete and positive identification of the article, but should not be used for procurement purposes.

- a. The figure and index number column of the parts list shows the figure number once at the beginning of the list. The figure number is followed by a dash and the indexed number. The remaining index numbers are preceded by dash only.
- b. The part number column identifies the item by part number.
- c. In the description column, relationship of items covered is shown by the degree of indentation of each item, for example: The wing assembly (Figure 3) is listed in column (1) of the description column. The wing structure, is the next lower assembly and is therefore listed in column (2).
- d. If two or more assemblies contain a majority of identical parts or the assemblies are left or right hand, the assemblies are listed together and the next lower assemblies or detail parts are listed as common for both assemblies, with the differing parts coded for usage on the correct major assembly.

- e. Attaching parts are listed immediately beneath the item to be attached and preceding any detail parts of the item. They are listed in the same column as the item they attach and are preceded by the caption "Attaching Parts." The end of the attaching parts listing is followed by a separating symbol ---*---
- f. The quantity listed in the "Units Per Assembly" column for attaching parts denotes the quantity necessary to attach only one part. Total quantity necessary to attach more than one part is obtained by multiplying the attaching parts quantity by the number of parts attached.
- g. Component parts of the complete airplane which are not included in any assembly, but which are used in conjunction with, or attach to certain assemblies, are listed either preceding the first detail or following the last detail of the assembly or installation, and in the same column as the major assembly or installation.
- h. The quantities listed in the "Units Per Assembly" column are the quantity used per figure.

ACCESSORY KITS.

For accessory kit listings, refer to separate Accessory Kit Catalog.

BULK ITEMS.

Certain items such as flexible air hose, rubber mouldings and channels, windshield sealing strips etc., are noted in the catalog listings as bulk items. These listings also note the cut length of these materials for one installation. When an item is listed as a bulk item, it will be supplied to the dealer in the most convenient bulk length or quantity. Reference to the cut length or quantity per installation provides for the most satisfactory disbursement to the customer.

HOW TO ORDER.

USE YOUR CATALOG TO ORDER PARTS. Use parts and Accessories Order Form, which will be supplied by Cessna on request. Give complete information on addresses and make sure the part number and part name are as shown in the catalog. Be sure to specify quantities. Specify how the order is to be shipped, otherwise it will be sent out in the manner that seems best to the shipper.

SERIAL, COLOR, & CORROSION PROOFING.

Be sure to indicate model and serial number of the airplane. Serial number is very important to properly identify parts used on each airplane. When color is involved refer to "Upholstery & Interior Trim" section for example. If corrosion proofing is desired add the letters "CP" following the part number.

DISTRIBUTOR ORDERS.

Distributors will send all orders to the factory with instructions as to the shipping destination. The factory

prefers not to make C. O. D. shipments for the distributor and all billing will be made to the distributor in the case of direct shipments.

DEALER ORDERS.

Dealers will place all of their parts order requirements with their distributor. The factory will not honor orders received directly from a dealer. It will be necessary for us to forward it to the distributor for his action. Therefore, dealer orders sent direct to the distributor will result in much faster delivery on any parts that are required.

RETAIL ORDERS.

Retail orders will not be honored by the factory. They are to be placed with the dealer or distributor in the owner's territory and when received directly by the factory will be forwarded to the distributor from whose territory it was received. Considerable saving in time will result to the owner if his orders are placed with his dealer or distributor.



Cessna Aircraft Company reserves the right to cancel, add or change the parts and assemblies described in this catalog without notice.



"All aircraft, regardless of manufacturer, are certificated under model number designations. However, popular names are often used for marketing purposes. To provide a consistent method of referring to the various aircraft, model numbers will be used in this publication unless names are required to differentiate between versions of the same basic model. The following table provides a cross reference listing of popular name vs. model numbers."

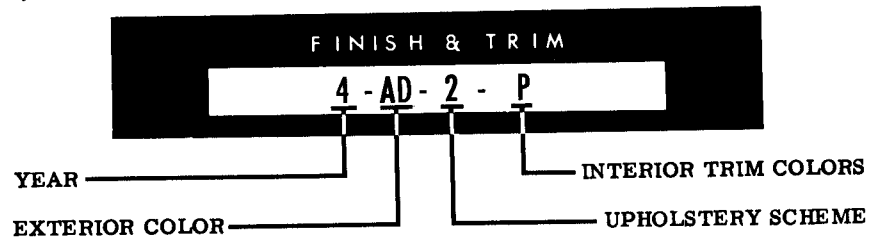
NAME	MODEL YEAR	MODEL	SERIALS	
			BEGINNING	ENDING
180	1963	180F	18051184	18051312
	1964	180G	18051313	18051445
	1965	180H	18051446	18051607
	1966	180H	18051608	18051774
	1967	180H	18051775	18051875
	1968	180H	18051876	18051993
SKYWAGON 180	1969	180H	18051994	18052103
	1970 THRU 1972	180H	18052104	18052284
	1973	180J	18052285	
185 SKYWAGON (260 HP ENGINE)	1961	185	185-0001	185-0237
	1962	185A	185-0238	185-0512
	1963	185B	185-0513	185-0653
	1964	185C	185-0654	185-0776
	1965	185D	185-0777	185-0967
	1966	185E	185-0968	185-1149
185 SKYWAGON (300 HP ENGINE)	1966	A185E	185-0968	185-1149
	1967	A185E	185-1150	185-1300
	1968	A185E	185-1301	185-1447
SKYWAGON 185	1969	A185E	185-1448	185-1599
	1970 THRU 1972	A185E	18501600	18502090
	1973	A185F	18502091	
AGcarryall	1972	A185E	18501935	18502090
	1973	A185F	18502091	

FINISH & TRIM PLATE

The "FINISH AND TRIM" plate is located on the left side of the airplane on the lower door jamb directly above the M. A. A. name plate.

This plate indicates the model year, exterior paint color, upholstery scheme and interior trim colors.

The following diagram is an example showing the sequence and definition of each code symbol on the "FINISH AND TRIM" plate.



FINISH & TRIM NUMBER (4-AD-2-P)

"4" = 1964 Model

"AD" = Emerald Green Met. & Mint Green

"2" = Sorrel Brown Upholstery

"P" = Black Semi-Gloss, Sand & Fawn

1961 THRU 1965

SEE PAGE VIII FOR 1966 & ON

CODE CHART PAINT & UPHOLSTERY COMBINATIONS Model 185							Serial Listing
YEAR	EXTERIOR PAINT		UPHOLSTERY		INTERIOR TRIM		
CODE	CODE	COLOR	CODE	COLOR	CODE	COLOR	
1961	1	O	CLASSIC IVORY CES 1054-325	2	PINE FROST (GREEN)	Z	BLACK (SEMI-GLOSS) CES 1054-156
		P	STARGLO YELLOW CES 1054-326				
		Q	RANGOON RED CES 1054-327				
		R	NOCTURNAL GREEN CES 1054-328				
		S	SPRING GREEN CES 1054-329				
		T	ORCHID CES 1054-330	3	COPPER COTTA		NATURAL CES 1054-259
		V	DUSK BLUE CES 1054-333				
		W	CELESTIAL BLUE CES 1054-334				
		X	WINCHESTER GRAY CES 1054-335				
		Y	COPPERTONE BROWN CES 1054-336				
SP	SPECIAL COLORS	1	SPECIAL UPHOLSTERY	SP	SPECIAL COLORS		

**185-0001
THRU
185-0237**

<p align="center">CODE CHART PAINT & UPHOLSTERY COMBINATIONS Model 185</p>							<p align="center">Serial Listing</p>
YEAR	EXTERIOR PAINT		UPHOLSTERY		INTERIOR TRIM		
CODE	CODE	COLOR	CODE	COLOR	CODE	COLOR	
1 9 6 2	2	A	MUTED BEIGE CES 1054-439 or -399*	2	SHADOW FAWN (UTILITY)	Q	BLACK (SEMI-GLOSS) CES 1054-156
		B	VESTAL WHITE CES 1054-398 or -170*				
		C	JONQUIL YELLOW CES 1054-402 or -416*				
		D	MINT GREEN CES 1054-238 or -412*				
		E	TURQUOISE TINGE CES 1054-406 or -393*	3	PALMETTO GREEN		
		F	VALOR RED CES 1054-409 or -417*				
		G	CHEVRON RED CES 1054-401				
		H	GINGER CES 1054-403	4	POMPEII RUST		NATURAL CES 1054-259
		J	REGAL GREEN MET. CES 1054-404				
		K	TAHOE BLUE MET. CES 1054-407				
		L	HERMOSA TURQUOISE CES 1054-408				
		M	DEEP MAHOGANY CES 1054-413	1	SPECIAL UPHOLSTERY		SPECIAL COLORS
		N	EXECUTIVE GRAY MET. CES 1054-411				
	SP	SPECIAL COLORS			SP	SPECIAL COLORS	

**185-0238
THRU
185-0512**

NOTE: WHEN ORDERING PAINT SPECIFY CES 1054 DASH NUMBER. EXAMPLE: CES1054-439

*On all over painted airplanes, base color will be vinyl. All other colors will be lacquer.

CODE CHART								Serial Listing
PAINT & UPHOLSTERY COMBINATIONS								
Model 180 & 185								
YEAR	EXTERIOR PAINT			UPHOLSTERY		INTERIOR TRIM		
CODE	CODE	COLOR	CODE	COLOR	CODE	COLOR		
1 9 6 3	3	A	ADOBE BEIGE CES-1054-446 or -458*	2	JADE (A)	Q	BLACK (SEMI-GLOSS) CES-1054-156	18051184 THRU 18051312 185-0513 THRU 185-0653
		B	VESTAL WHITE CES-1054-398 or -170*					
		C	GOLDENROD CES-1054-448					
		D	MINT GREEN CES-1054-238 or -412*	3	CRIMSON FLAME (B)		SAND CES-1054-435	
		E	PLATINUM BLUE CES-1054-443 or -392*					
		F	VALOR RED CES-1054-409	4	BLUE CRANE (C)		FAWN CES-1054-419	
		G	MATADOR RED CES-1054-465					
		K	TAHOE BLUE METALLIC CES-1054-407	5	FRECKLE BROWN (D)		SPECIAL COLORS	
		N	EXECUTIVE GREY METALLIC CES-1054-411					
		R	COCOA BROWN CES-1054-459	6	NORTH STAR (E)		SPECIAL COLORS	
		U	EMERALD CES-1054-350 or -461*					
SP	SPECIAL COLORS	1	SPECIAL UPHOLSTERY	SP	SPECIAL COLORS			
1 9 6 4	4	A	EMERALD GREEN MET CES-1054-350	2	SORREL BROWN	P	BLACK SEMI-GLOSS CES-1054-156	18051313 THRU 18051445 185-0654 THRU 185-0776
		B	GOLDENROD CES-1054-448					
		C	VESTAL WHITE CES-1054-398 or -170*					
		D	MINT GREEN CES-1054-238 or -412*	3	MUTED BLUE		SAND CES-1054-435	
		E	CORK BROWN CES-1054-463					
		G	MUTED BEIGE CES-1054-439 or -399*	4	COPPERICA RED		FAWN CES-1054-419	
		J	ITALIAN GOLD CES-1054-265					
		K	VELVET BLACK CES-1054-151	5	PRIMITIVE GREEN		SPECIAL COLORS	
		L	SUN GLOW RED CES-1054-493					
		T	HAWAIIAN RED CES-1054-509	6	GOLDEN FAWN (UTILITY)		SPECIAL COLORS	
		X	SKY BLUE CES-1054-513 or -512*					
		Z	ARISTO BLUE MET. CES-1054-487	1	SPECIAL UPHOLSTERY		SPECIAL COLORS	
		SP	SPECIAL COLORS					

NOTE: WHEN ORDERING PAINT SPECIFY CES-1054 DASH NUMBER. EXAMPLE CES-1054-350.

***DENOTES VINYL PAINT.
VINYL IS USED AS BASE COLOR ON OVER-ALL PAINTED AIRPLANES.
ALL OTHER COLORS ARE LACQUER.**

CODE CHART PAINT & UPHOLSTERY COMBINATIONS Model 180 & 185							Serial Listing
YEAR	EXTERIOR PAINT		UPHOLSTERY		INTERIOR TRIM		
	CODE	COLOR	CODE	COLOR	CODE	COLOR	
1 9 6 5	5	A	EMERALD GREEN CES-1054-350	22	SABLE TAN (STANDARD)	P	BLACK SEMI-GLOSS CES-1054-156
		B	GOLDENROD CES-1054-448				
		C	VESTAL WHITE CES-1054-398 or -170*				
		D	ICE BLUE CES-1054-564 or -546*				
		F	YUMA YELLOW CES-1054-542				
		H	PLATINUM CES-1054-550 or -565*				
		J	SUNSHINE YELLOW CES-1054-561 or 547*	23	TAWNY MIST (DELUXE)	P	CLOUD GRAY CES-1054-531
		K	VELVET BLACK CES-1054-151				
		L	SUN GLOW RED CES-1054-493				
		M	Venice Blue Metallic CES-1054-572				
		N	AUTUMN RUSSET MET CES-1054-571				
		R	ARISTO BLUE MET CES-1054-487				
		T	HAWAIIAN RED CES-1054-509	1	SPECIAL UPHOLSTERY	SP	SPECIAL COLORS
		SP	SPECIAL COLORS				

**18051446
THRU
18051607**

**185-0777
THRU
185-0967**

NOTE: WHEN ORDERING PAINT SPECIFY CES-1054 DASH NUMBER. EXAMPLE CES-1054-350.

*DENOTES VINYL PAINT.
VINYL IS USED AS BASE COLOR ON OVER-ALL PAINTED AIRPLANES.
ALL OTHER COLORS ARE LACQUER.

This page intentionally left blank.

FINISH & TRIM PLATE

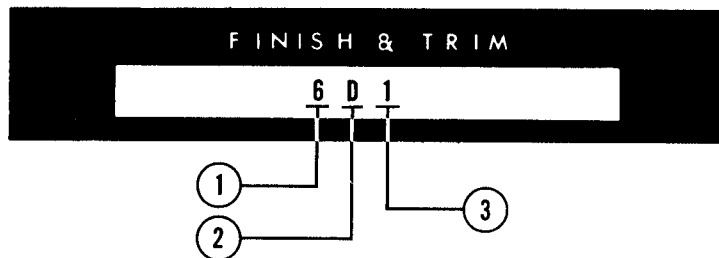
The "FINISH AND TRIM" plate is located on the left side of the airplane on the lower forward door opening above the M. A. A. nameplate.

This plate indicates model year, interior color scheme and the exterior color combination.

Interpretation of information stamped on the Finish and Trim Plate is obtained by use of the Color Code Chart for the respective year.

Color Code Charts for yearly models appear on pages immediately following this page.

The Finish and Trim Plate is explained below. Explanatory remarks are keyed to the illustrated example.



- ① First column number indicates year.
- ② Second column letter or letters indicate interior color code of aircraft. Refer to Color Code Chart for respective year to obtain color.
- ③ Third column number or numbers indicate exterior trim. The basic number is found on the Color Code Chart and indicates colors and type paint used on the aircraft.

200, 2000 or 4000 series numbers in column 3 denote an optional overall paint scheme.

300, 3000 or 30000 series numbers in column 3 denote paint scheme reversal for arctic usage.

Interpretation of the example Finish and Trim Code 6-D-1 that is obtained from 1966 Color Code Chart is:

6 = 1966 Model Year
 D = Bronze & Sable Tan Interior
 1 = Vestal White & Goldenrod Exterior

1966 & ON

SEE PAGE III FOR 1961 THRU 1965

MODEL 180 & 185			PAINT CODE CHART				MODEL 180 & 185			
YEAR	INTERIOR COLOR		INTERIOR PAINT		SERIAL LISTING	EXTERIOR PAINT				
	CODE	CODE	INTERIOR COLOR CODE			CODE	COLOR COMBINATIONS			
		COLOR	D	K						
1 9 6 6	D	BRONZE & SABLE TAN	BLACK (SEMI - GLOSS) CES1054-156	BLACK (SEMI - GLOSS) CES1054-156	18051608 THRU 18051774 185-0968 THRU 185-1149	1	VESTAL WHITE CES1054-398 or 170*	GOLDEN ROD CES1054-448		
						2	VESTAL WHITE CES1054-398 or 170*	SAN REMO TURQUOISE CES1054-705		
				3		VESTAL WHITE CES1054-398 or 170*	RACING GREEN CES1054-692			
				4		VESTAL WHITE CES1054-398 or 170*	VALOR RED CES1054-409			
	K	BRONZE & TAWNY MIST	DULL BLACK CES1054-193	DULL BLACK CES1054-193		5	VESTAL WHITE CES1054-398 or 170*	VELVET BLACK CES1054-151		
						6	VESTAL WHITE CES1054-398 or 170*	MIDNIGHT TURQUOISE MET. CES1054-801		
			CLOUD GRAY CES1054-531	CLOUD GRAY CES1054-531		7	VESTAL WHITE CES1054-398 or 170*	HAWAIIAN RED CES1054-509		
				BRONZE CES1054-719		BRONZE CES1054-719	8	VESTAL WHITE CES1054-398 or 170*	AUTUMN RUSSET MET. CES1054-571	

NOTE: WHEN ORDERING PAINT SPECIFY CES-1054 DASH NUMBER. EXAMPLE: CES1054-439

*On all over painted airplanes, base color will be vinyl. All other colors will be lacquer.

Cessna illustrated parts catalog

MODEL 180 & 185

MODEL 180 & 185			PAINT CODE CHART		MODEL 180 & 185			
YEAR	INTERIOR COLOR		INTERIOR PAINT		SERIAL LISTING	EXTERIOR PAINT		
	CODE	CODE	AF	INTERIOR COLOR CODE		CODE	COLOR COMBINATIONS	
1 9 6 8	8	AF	Bronze Fabric	BLACK (SEMI GLOSS LACQUER) CES1054-156	18051876 THRU 18051993	10	VESTAL WHITE CES1054-802 (ACRYLIC)	TROPICAL ORANGE CES1054-774 (ACRYLIC)
				DULL BLACK (LACQUER) CES1054-193		11	VESTAL WHITE CES1054-802 (ACRYLIC)	VALOR RED CES1054-806 (ACRYLIC)
				CLOUD GRAY (LACQUER) CES1054-531		12	VESTAL WHITE CES1054-802 (ACRYLIC)	CRANBERRY CES1054-875 (ACRYLIC)
				TAN (VINYL) CES1054-749		13	VESTAL WHITE CES1054-802 (ACRYLIC)	EMPRESS BLUE CES1054-832 (ACRYLIC)
				TAN (LACQUER) CES1054-717		14	VESTAL WHITE CES1054-802 (ACRYLIC)	VENICE BLUE MET. CES1054-833 (ACRYLIC)
						15	VESTAL WHITE CES1054-802 (ACRYLIC)	VELVET BLACK CES1054-807 (ACRYLIC)
				16	VESTAL WHITE CES1054-802 (ACRYLIC)	RACING GREEN CES1054-805 (ACRYLIC)		
				17	VESTAL WHITE CES1054-802 (ACRYLIC)	GOLDEN ROD CES1054-803 (ACRYLIC)		

NOTE: WHEN ORDERING PAINT SPECIFY CES-1054 DASH NUMBER. EXAMPLE: CES1054-802

Cessna illustrated parts catalog

MODEL 180 & 185

MODEL 180 & 185

PAINT CODE CHART

MODEL 180 & 185

YEAR	INTERIOR COLOR		INTERIOR PAINT			SERIAL LISTING	EXTERIOR PAINT		
	CODE	COLOR	INTERIOR COLOR CODE				CODE	COLOR COMBINATIONS	
			AF	BF	KF				
1 9 6 9	9	AF	Bronze & Tan	BLACK (SEMI GLOSS LACQUER) CES1054-156	BLACK (SEMI GLOSS LACQUER) CES1054-156	BLACK (SEMI GLOSS LACQUER) CES1054-156	901 2901 3901	VESTAL WHITE CES1054-802 (ACRYLIC)	VALOR RED CES1054-806 (ACRYLIC)
				DULL BLACK (LACQUER) CES1054-193	DULL BLACK (LACQUER) CES1054-193	DULL BLACK (LACQUER) CES1054-193	902 2902 3902	VESTAL WHITE CES1054-802 (ACRYLIC)	BAROQUE GOLD MET. CES1054-913 (ACRYLIC)
		BF	Royal Blue	LIGHT GRAY (LACQUER) CES1054-531	LIGHT GRAY (LACQUER) CES1054-531	LIGHT GRAY (LACQUER) CES1054-531	903 2903 3903	VESTAL WHITE CES1054-802 (ACRYLIC)	GOLDEN ROD CES1054-803 (ACRYLIC)
				LIGHT GRAY (LACQUER) CES1054-531	LIGHT GRAY (LACQUER) CES1054-531	LIGHT GRAY (LACQUER) CES1054-531	904 2904 3904	VESTAL WHITE CES1054-802 (ACRYLIC)	BELFAST BROWN CES1054-773 (ACRYLIC)
	KF	Apple Red	TAN (VINYL) CES1054-749	TAN (VINYL) CES1054-749	TAN (VINYL) CES1054-749	905 2905 3905	VESTAL WHITE CES1054-802 (ACRYLIC)	NORDIC BLUE MET. CES1054-778 (ACRYLIC)	
			TAN (LACQUER) CES1054-717	TAN (LACQUER) CES1054-717	TAN (LACQUER) CES1054-717	906 2906 3906	VESTAL WHITE CES1054-802 (ACRYLIC)	CATALINA BLUE MET. CES1054-914 (ACRYLIC)	
						907 2907 3907	VESTAL WHITE CES1054-802 (ACRYLIC)	IMPERIAL BURGUNDY MET. CES1054-767 (ACRYLIC)	
						908 2908 3908	VESTAL WHITE CES1054-802 (ACRYLIC)	EMERALD GREEN MET. CES1054-846 (ACRYLIC)	

NOTE: WHEN ORDERING PAINT SPECIFY CES-1054 DASH NUMBER. EXAMPLE: CES1054-802



MODELS 180 & 185			PAINT CODE CHART			MODELS 180 & 185			
YEAR	INTERIOR COLOR		INTERIOR PAINT			SERIAL LISTING	EXTERIOR PAINT		
	CODE	COLOR	AP	BP	MP		CODE	COLOR COMBINATIONS	
1 9 7 0	AP	Clove Brown	BLACK SEMI-GLOSS CES1054-156 LACQUER	BLACK SEMI-GLOSS CES1054-156 LACQUER	BLACK SEMI-GLOSS CES1054-156 LACQUER	18052104 THRU 18052175 18501600 THRU 18501832	760 2760 32760	VESTAL WHITE CES1054-802	PROVINCIAL RED MET CES1054-963
			5760 4760 34760	LUSTER WHITE CES1054-967					
			761 2761 32761	VESTAL WHITE CES1054-802	BLACK CHERRY MET CES1054-964				
			5761 4761 32761	LUSTER WHITE CES1054-967					
			762 2762 32762	VESTAL WHITE CES1054-802			VALOR RED CES1054-866		
			5762 4762 34762	LUSTER WHITE CES1054-967					
	763 2763 32763	VESTAL WHITE CES1054-802	ITALIAN GOLD CES1054-834						
	5763 4763 32763	LUSTER WHITE CES1054-967							
	764 2764 32764	VESTAL WHITE CES1054-802		OLIVE CES1054-944					
	5764 4764 34764	LUSTER WHITE CES1054-967							
	765 2765 32765	VESTAL WHITE CES1054-802	GLENWOOD GREEN MET CES1054-766						
	5765 4765 34765	LUSTER WHITE CES1054-967							
	766 2766 32766	VESTAL WHITE CES1054-802		BLUE WING MET CES1054-968					
	5766 4766 34766	LUSTER WHITE CES1054-967							
	767 2767 32767	VESTAL WHITE CES1054-802	VENICE BLUE MET CES1054-833						
	5767 4767 34767	LUSTER WHITE CES1054-967							
	768 2768 32768	VESTAL WHITE CES1054-802		VELVET BLACK CES1054-807					
	5768 4768 34768	LUSTER WHITE CES1054-967							
769 2769 32769	VESTAL WHITE CES1054-802	TIGER YELLOW CES1054-966							
5769 4769 34769	LUSTER WHITE CES1054-967								

NOTE: WHEN ORDERING PAINT SPECIFY CES-1054 DASH NUMBER. EXAMPLE: CES1054-802

MODELS 180 & 185			PAINT CODE CHART			MODELS 180 & 185																								
YEAR	INTERIOR COLOR		INTERIOR PAINT			SERIAL LISTING	EXTERIOR PAINT																							
	CODE	COLOR	AP	BH	BP		CODE	COLOR COMBINATIONS																						
1 9 7 1	AP	Clove Brown	BLACK SEMI-GLOSS CES1054-156 LACQUER	BLACK SEMI-GLOSS CES1054-156 LACQUER	BLACK SEMI-GLOSS CES1054-156 LACQUER	18052176 THRU 18052284 18501833 THRU 18502090	141V V141V	VESTAL WHITE CES1054-802	PROVINCIAL RED MET CES1054-963																					
			LIGHT GRAY CES1054-531 LACQUER	LIGHT GRAY CES1054-531 LACQUER	LIGHT GRAY CES1054-531 LACQUER		141L L141L	LUSTER WHITE CES1054-967																						
							CLOVE BROWN CES1054-970 LACQUER	CLOVE BROWN CES1054-970 LACQUER	CLOVE BROWN CES1054-970 LACQUER	147V V147V	VESTAL WHITE CES1054-802	BLACK CHERRY MET CES1054-964																		
	147L L147L	LUSTER WHITE CES1054-967																												
	BH	Holiday Blue	CLOVE BROWN CES1054-970 LACQUER	CLOVE BROWN CES1054-970 LACQUER	CLOVE BROWN CES1054-970 LACQUER		142V V142V	VESTAL WHITE CES1054-802	VALOR RED CES1054-806																					
							142L L142L	LUSTER WHITE CES1054-967																						
			CLOVE BROWN CES1054-985 VINYL	CLOVE BROWN CES1054-985 VINYL	CLOVE BROWN CES1054-985 VINYL		143V V143V	VESTAL WHITE CES1054-802	ITALIAN GOLD CES1054-834																					
	143L V143L	LUSTER WHITE CES1054-967																												
	BP	Silver Teal Blue	CLOVE BROWN CES1054-970 LACQUER	CLOVE BROWN CES1054-970 LACQUER	CLOVE BROWN CES1054-970 LACQUER		144V V144V	VESTAL WHITE CES1054-802	OLIVE CES1054-944																					
							144L L144L	LUSTER WHITE CES1054-967																						
			CLOVE BROWN CES1054-985 VINYL	CLOVE BROWN CES1054-985 VINYL	CLOVE BROWN CES1054-985 VINYL		148V V148V	VESTAL WHITE CES1054-802	GLENWOOD GREEN MET CES1054-768																					
	148L L148L	LUSTER WHITE CES1054-967																												
DP	Fiesta Red	CLOVE BROWN CES1054-970 LACQUER	CLOVE BROWN CES1054-970 LACQUER	CLOVE BROWN CES1054-970 LACQUER	149V V149V	VESTAL WHITE CES1054-802	BLUE WING MET CES1054-968																							
					149L L149L	LUSTER WHITE CES1054-967																								
		CLOVE BROWN CES1054-970 LACQUER	CLOVE BROWN CES1054-970 LACQUER	CLOVE BROWN CES1054-970 LACQUER	145V V145V	VESTAL WHITE CES1054-802	VENICE BLUE MET CES1054-833																							
145L L145L	LUSTER WHITE CES1054-967																													
MP	Marigold	CLOVE BROWN CES1054-970 LACQUER	CLOVE BROWN CES1054-970 LACQUER	CLOVE BROWN CES1054-970 LACQUER	150V V150V	VESTAL WHITE CES1054-802	VELVET BLACK CES1054-807																							
					150L L150L	LUSTER WHITE CES1054-967																								
		CLOVE BROWN CES1054-985 VINYL	CLOVE BROWN CES1054-985 VINYL	CLOVE BROWN CES1054-985 VINYL	146V V146V	VESTAL WHITE CES1054-802	TIGER YELLOW CES1054-966																							
146L L146L	LUSTER WHITE CES1054-967																													
<table border="1"> <thead> <tr> <th colspan="3">INTERIOR PAINT</th> </tr> <tr> <th colspan="3">INTERIOR COLOR CODE</th> </tr> <tr> <th>DP</th> <th>MP</th> <th></th> </tr> </thead> <tbody> <tr> <td>BLACK SEMI-GLOSS CES1054-156 LACQUER</td> <td>BLACK SEMI-GLOSS CES1054-156 LACQUER</td> <td>BLACK SEMI-GLOSS CES1054-156 LACQUER</td> </tr> <tr> <td>LIGHT GRAY CES1054-531 LACQUER</td> <td>LIGHT GRAY CES1054-531 LACQUER</td> <td>LIGHT GRAY CES1054-531 LACQUER</td> </tr> <tr> <td>CLOVE BROWN CES1054-970 LACQUER</td> <td>CLOVE BROWN CES1054-970 LACQUER</td> <td>CLOVE BROWN CES1054-970 LACQUER</td> </tr> <tr> <td>CLOVE BROWN CES1054-985 VINYL</td> <td>CLOVE BROWN CES1054-985 VINYL</td> <td>CLOVE BROWN CES1054-985 VINYL</td> </tr> </tbody> </table>							INTERIOR PAINT			INTERIOR COLOR CODE			DP	MP		BLACK SEMI-GLOSS CES1054-156 LACQUER	BLACK SEMI-GLOSS CES1054-156 LACQUER	BLACK SEMI-GLOSS CES1054-156 LACQUER	LIGHT GRAY CES1054-531 LACQUER	LIGHT GRAY CES1054-531 LACQUER	LIGHT GRAY CES1054-531 LACQUER	CLOVE BROWN CES1054-970 LACQUER	CLOVE BROWN CES1054-970 LACQUER	CLOVE BROWN CES1054-970 LACQUER	CLOVE BROWN CES1054-985 VINYL	CLOVE BROWN CES1054-985 VINYL	CLOVE BROWN CES1054-985 VINYL	240A *	VESTAL WHITE CES1054-802	SUNSET RED CES1054-806 VELVET BLACK CES1054-807
INTERIOR PAINT																														
INTERIOR COLOR CODE																														
DP	MP																													
BLACK SEMI-GLOSS CES1054-156 LACQUER	BLACK SEMI-GLOSS CES1054-156 LACQUER	BLACK SEMI-GLOSS CES1054-156 LACQUER																												
LIGHT GRAY CES1054-531 LACQUER	LIGHT GRAY CES1054-531 LACQUER	LIGHT GRAY CES1054-531 LACQUER																												
CLOVE BROWN CES1054-970 LACQUER	CLOVE BROWN CES1054-970 LACQUER	CLOVE BROWN CES1054-970 LACQUER																												
CLOVE BROWN CES1054-985 VINYL	CLOVE BROWN CES1054-985 VINYL	CLOVE BROWN CES1054-985 VINYL																												
							241A *	VESTAL WHITE CES1054-802	HORIZON BLUE CES1054-832 VELVET BLACK CES1054-807																					
							242A *	VESTAL WHITE CES1054-802	TIGER ORANGE CES1054-774 VELVET BLACK CES1054-807																					
							240P %	VESTAL WHITE CES1054-A64	SUNSET RED CES1054-A67 VELVET BLACK CES1054-A77																					
							241P %	VESTAL WHITE CES1054-A64	HORIZON BLUE CES1054-A75 VELVET BLACK CES1054-A77																					
							242P %	VESTAL WHITE CES1054-A64	TIGER ORANGE CES1054-A65 VELVET BLACK CES1054-A77																					
							243P %	VESTAL WHITE CES1054-A64	WILDCAT YELLOW CES1054-A76 VELVET BLACK CES1054-A77																					

NOTE: WHEN ORDERING PAINT SPECIFY CES1054 DASH NUMBER. EXAMPLE CES1054-802

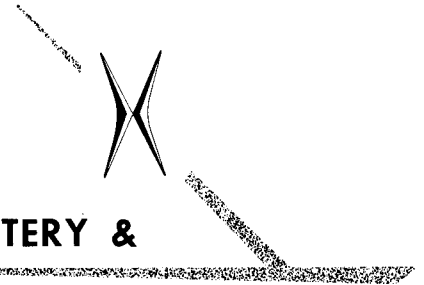
* Acrylic Combinations, Used on AGcarryall.
% Urethane Combinations, Used on AGcarryall.



MODELS 180 & 185			PAINT CODE CHART			MODELS 180 & 185			
YEAR	INTERIOR COLOR		INTERIOR PAINT			SERIAL LISTING	EXTERIOR PAINT		
	CODE	CODE	AP	BP	DP		CODE	COLOR COMBINATIONS	
1 9 7 3	3	AP	Clove Brown	BLACK SEMI-GLOSS CES1054-157 LACQUER	BLACK SEMI-GLOSS CES1054-157 LACQUER	BLACK SEMI-GLOSS CES1054-157 LACQUER	18052285 & ON 18502091 & ON	302	FLAG RED CES1054-A93
				3302	302A	VESTAL WHITE CES1054-802		FLAG RED CES1054-A93	
				3302A	354	NUTMEG CES1054-A95			
				3354	354A	VESTAL WHITE CES1054-802		NUTMEG CES1054-A95	
				3354A	355	TIGER YELLOW CES1054-966			
				3355	355A	VESTAL WHITE CES1054-802		TIGER YELLOW CES1054-966	
	3	BP	Holiday Blue	LIGHT GRAY CES1054-531 LACQUER	LIGHT GRAY CES1054-531 LACQUER	LIGHT GRAY CES1054-531 LACQUER		306	GRANADA GREEN CES1054-A97
				3306	306A	VESTAL WHITE CES1054-802		GRANADA GREEN CES1054-A97	
				3306A	305	EMPRESS BLUE CES1054-832			
				3305	305A	VESTAL WHITE CES1054-802		EMPRESS BLUE CES1054-832	
				3305A	303	TROPICAL ORANGE CES1054-774			
				3303	303A	VESTAL WHITE CES1054-802		TROPICAL ORANGE CES1054-774	
3	DP	Fiesta Red	CLOVE BROWN CES1054-970 LACQUER	CLOVE BROWN CES1054-970 LACQUER	CLOVE BROWN CES1054-970 LACQUER	343	HORIZON BLUE CES1054-832 (ACRYLIC)		
			3343	343P	VESTAL WHITE CES1054-A64 (URETHANE)	HORIZON BLUE CES1054-A75 (URETHANE)			
			3343P	344	SUNSET RED CES1054-806 (ACRYLIC)				
			3344	344P	VESTAL WHITE CES1054-A64 (URETHANE)	SUNSET RED CES1054-A67 (URETHANE)			
			3344P	345	TIGER ORANGE CES1054-774 (ACRYLIC)				
			3345	345P	VESTAL WHITE CES1054-A64 (URETHANE)	TIGER ORANGE CES1054-A85 (URETHANE)			
3345P	346	WILDCAT YELLOW CES1054-A15 (ACRYLIC)							
3346	346P	VESTAL WHITE CES1054-A64 (URETHANE)	WILDCAT YELLOW CES1054-A76 (URETHANE)						
3346P	346P								

NOTE: WHEN ORDERING PAINT SPECIFY CES1054 DASH NUMBER. EXAMPLE CES1054-802

This page intentionally left blank.



**UPHOLSTERY &
INTERIOR TRIM**

UPHOLSTERED PARTS - HOW TO ORDER

1961 THRU 1965 MODELS

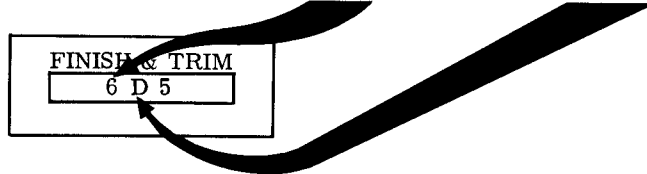
SERIAL NUMBER OF AIRCRAFT MUST BE GIVEN WITH PARTS ORDER

1966 MODEL & ON

PARTS MARKED WITH A # FOLLOWING PART NUMBER REQUIRE A SECOND DASH NUMBER FOR COLOR & MATERIAL

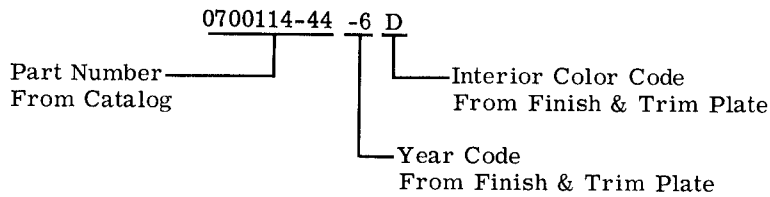
HOW TO DETERMINE 2nd DASH NUMBER

1. Find part number of desired part in catalog.
2. Refer to "FINISH & TRIM" plate, in the airplane, for your "Year Code" and "Interior Color Code."



3. Add the "Year Code" and "Interior Color Code," to the part number from catalog.

EXAMPLE OF COMPLETE NUMBER



INTERIOR PAINTED OR PLASTIC PARTS HOW TO ORDER

1961 THRU 1964 MODELS

No special handling is required when ordering parts for 1963 and 1964 aircraft. In this group, the second dash number appears, when required, as a part of the part number.

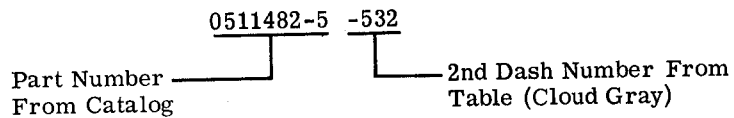
1965 MODEL

PARTS MARKED WITH A □ FOLLOWING PART NUMBER REQUIRE A SECOND DASH NUMBER FOR PROPER COLOR

To obtain second dash number use table "1965 MODEL YEAR."

To use table, "1965 MODEL YEAR," first find number from catalog then find same number in table and add number of color required.

EXAMPLE OF COMPLETE NUMBER



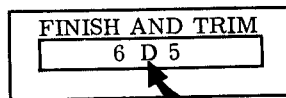
1966 MODEL & ON

PARTS MARKED WITH A □ FOLLOWING PART NUMBER REQUIRE A SECOND DASH NUMBER FOR PROPER COLOR.

To obtain second dash number use of correct table, for your model year, is required.

To use table,

1. Find part number of desired part in catalog.
2. Refer to the "Finish and Trim" plate, in the airplane, for your "Interior Color Code."

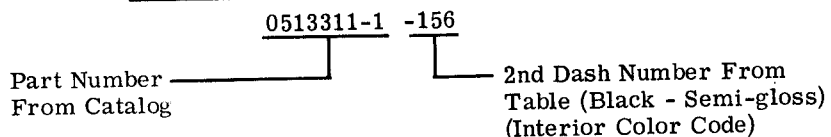


3. Locate part number from catalog in table.
4. Add dash number for color that appears under your "Interior Color Code."

INTERIOR PAINTED OR PLASTIC PARTS 1966 MODEL YEAR <small>180S1408 & ON 185-0908 & ON</small>		INTERIOR COLOR CODE <small>(From Finish and Trim Plate)</small>	
PART NUMBER	PART NAME	D	K
0511482-5	SHIELD - INSTRUMENT LIGHT CONSOLE	532	532
0511482-6	COVER ASSEMBLY	532	532
0511482-7	SHIELD - CONTROL ASSEMBLY	156	156
0513311-1	SUPPORT ASSEMBLY - CONTROL TUBE	156	156
0700114-10	LH DOOR PANEL	726	726
0700114-20	RH DOOR PANEL	726	726
0700114-30	FAIRING	726	726
0700114-47	PANEL - BAGGAGE DOOR	726	726
0700114-48	PANEL - LH CENTER	726	726
0700114-48	PANEL - RH CENTER	726	726

STEP "3" points to the part number 0513311-1 in the table. STEP "4" points to the color code 156 in the table.

EXAMPLES OF COMPLETE NUMBER




INTERIOR PAINTED OR PLASTIC PARTS
1965 MODEL YEAR ONLY

185-0777 THRU 185-0967
18051446 THRU 18051607

BLACK

CLOUD GRAY

PART NUMBER	PART NAME		
0511482-5	SHIELD		
0511482-9	COVER ASSEMBLY-DOME LIGHT	532	
0700114-9	PANEL UPHOLSTERY DOOR LH	532	
0700114-10	PANEL UPHOLSTERY DOOR RH	532	
0700114-11	PANEL - SIDEWALL FRONT LH	532	
0700114-12	PANEL - SIDEWALL FRONT RH	532	
0700114-35	PANEL ASSEMBLY - BAGGAGE	532	
0700114-47	PANEL - AFT LH	532	
0700114-48	PANEL - AFT RH	532	
0700114-53	TUNNEL	532	
0700114-54	TUNNEL	532	
0700646-1	SKIRT - SEAT BOTTOM LH	532	
0700646-2	SKIRT - SEAT BOTTOM RH	532	
0700646-3	SKIRT - SEAT BOTTOM LH	532	
0700646-4	SKIRT - SEAT BOTTOM RH	532	
0710646-1	COVER PLATE LH	532	
0710647-1	COVER PLATE RH	532	
0710652-1	ESCUTCHEON - GAGE	532	
0711079-1	TRAY ASSEMBLY	532	
0711133-22	SHIELD ASSEMBLY - FRONT DOOR POST RH	532	
0711133-29	SHIELD ASSEMBLY - FRONT DOOR POST LH	532	
0711133-32	SHIELD ASSEMBLY - FRONT DOOR POST LH	532	
0713756-1	COVER ASSEMBLY - UPPER	532	
0713756-7	COVER ASSEMBLY - LOWER		279
0713756-8	COVER ASSEMBLY - LOWER		279
0713758-4	DOOR ASSEMBLY - GLOVE BOX		279
0713764-12	COVER - RH		279
0713764-14	COVER - RH		279
0713764-8	COVER - SHOCK PANEL		279
0713765-1	COVER - RADIO		279
0716114-1	COVER - FUEL TANK SELECTOR		279
0716114-3	COVER - FUEL TANK SELECTOR	532	
1200415-7	ESCUTCHEON - OXYGEN PORT	532	
1414110-1	TRIM - SEAT BACK	532	
1414110-3	POCKET ASSEMBLY - MAGAZINE	532	
1414264-5	POCKET ASSEMBLY - MAGAZINE	532	
1414264-13	TRIM ASSEMBLY - SEAT BACK	532	
		532	



Illustrated parts catalog

MODEL 180 & 185

279
279
279
279
279
279
279
279

INTERIOR PAINTED OR PLASTIC PARTS

1966 MODEL YEAR

18051608 THRU 18051774

185-0968 THRU 185-1149

INTERIOR COLOR
CODE

(From Finish and
Trim Plate)

PART NUMBER	PART NAME	INTERIOR COLOR CODE	
		D	K
0511482-5	SHIELD - INSTRUMENT LIGHT CONSOLE	532	532
0511482-9	COVER ASSEMBLY	532	532
0512046-1	SHIELD - CONTROL ASSEMBLY	156	156
0513311-1	SUPPORT ASSEMBLY - CONTROL TUBE	156	156
0700114-9	LH DOOR PANEL	726	726
0700114-10	RH DOOR PANEL	726	726
0700114-20	FAIRING	726	726
0700114-35	PANEL - BAGGAGE DOOR	726	726
0700114-47	PANEL - LH CENTER	726	726
0700114-48	PANEL - RH CENTER	726	726
0700114-53	TUNNEL	726	726
0700114-54	TUNNEL	726	726
0700114-56	PANEL - FWD RH	726	726
0700114-59	PANEL ASSEMBLY - FWD LH	726	726
0700148-1	HOOD - MAP LIGHT	193	193
0700631-5	FRAME ASSEMBLY - SEAT BOTTOM LH	751	751
0700631-6	FRAME ASSEMBLY - SEAT BOTTOM RH	751	751
0700646-1	SEAT SKIRT	726	726
0700646-2	SEAT SKIRT	726	726
0700646-3	SEAT SKIRT	726	726
0700646-4	SEAT SKIRT	726	726
0710646-1	COVER PLATE	532	532
0710647-1	COVER PLATE	532	532
0710652-1	ESCUTCHEON - GAGE	532	532
0711079-1	PANEL - TRAY ASSEMBLY	726	726
0711133-40	SHIELD ASSEMBLY - RH DOORPOST	726	726
0711133-39	SHIELD ASSEMBLY - LH DOORPOST	726	726
0711133-41	SHIELD ASSEMBLY - LH DOORPOST	726	726
0713025-6	COVER ASSEMBLY - TRIM WHEEL	726	726
0713093-2	COVER - RUDDER TRIM WHEEL	726	726
0713756-1	COVER - UPPER	279	279
0713756-7	COVER ASSEMBLY - LOWER	279	279
0713756-8	COVER ASSEMBLY - LOWER	279	279
0713758-4	DOOR ASSEMBLY - GLOVE BOX	279	279
0713764-12	COVER - RH	279	279
0713764-14	COVER - RH	279	279
0713764-8	COVER - SHOCK	279	279
0713765-1	COVER - RADIO CUTOUT	279	279
0716114-1	COVER ASSEMBLY - FUEL TANK SELECTOR	726	726
0716114-3	COVER ASSEMBLY - FUEL TANK SELECTOR	726	726
1200415-7	ESCUTCHEON - OXYGEN PORT	532	532
1414110-1	TRIM ASSEMBLY - SEAT BACK	726	726
1414110-3	POCKET ASSEMBLY - MAGAZINE	726	726
1414240-3	POWER SEAT BOTTOM ASSEMBLY - PILOT	751	751
1414240-4	POWER SEAT BOTTOM ASSEMBLY - COPILOT	751	751

Cessna

illustrated parts catalog

MODEL 180 & 185

INTERIOR PAINTED OR PLASTIC PARTS

1967 MODEL YEAR

18051775 THRU 18051875

185-1150 THRU 185-1300

INTERIOR COLOR
CODE(From Finish and
Trim Plate)

AF

PART NUMBER	PART NAME	AF
0412484-3	SHIELD ASSEMBLY - LH DOORPOST	726
0413484-5	SHIELD ASSEMBLY - RH DOORPOST	726
0511482-5	SHIELD - INSTRUMENT LIGHT CONSOLE	532
0511482-9	COVER ASSEMBLY	532
0512046-1	SHIELD - CONTROL ASSEMBLY	156
0513311-1	SUPPORT ASSEMBLY - CONTROL TUBE	156
0700114-9	LH DOOR PANEL	726
0700114-10	RH DOOR PANEL	726
0700114-20	FAIRING	726
0700114-35	PANEL - BAGGAGE DOOR	726
0700114-47	PANEL - LH AFT	726
0700114-48	PANEL - RH AFT	726
0700114-53	TUNNEL	726
0700114-54	TUNNEL	726
0700114-56	PANEL - FWD RH	726
0700114-59	PANEL ASSEMBLY - FWD LH	726
0700148-1	HOOD - MAP LIGHT	193
0700631-5	FRAME ASSEMBLY - SEAT BOTTOM LH	751
0700631-6	FRAME ASSEMBLY - SEAT BOTTOM RH	751
0700646-1	SEAT SKIRT	726
0700646-2	SEAT SKIRT	726
0710646-1	COVER PLATE LH	532
0710647-1	COVER PLATE RH	532
0710652-1	ESCUTCHEON - GAGE	532
0711079-1	PANEL - TRAY ASSEMBLY	726
0711133-39	SHIELD - LH DOORPOST	726
0711133-40	SHIELD - RH DOORPOST	726
0711133-41	SHIELD - LH DOORPOST	726
0711702-5	FRAME ASSEMBLY - SEAT BOTTOM LH	751
0711702-6	FRAME ASSEMBLY - SEAT BOTTOM RH	751
0711702-20	FRAME ASSEMBLY - SEAT BACK	751
0713025-6	COVER ASSEMBLY - TRIM WHEEL	726
0713093-2	COVER - RUDDER TRIM WHEEL	726
0713764-12	COVER - INSTRUMENT PANEL RH	279
0713764-13	COVER - SHOCK PANEL	279
0713764-14	COVER - INSTRUMENT PANEL RH	279
0713871-1	COVER - RADIO CUTOUT	279
0713872-1	COVER ASSEMBLY - INSTRUMENT PANEL UPPER	279
0713872-3	COVER - INSTRUMENT PANEL LOWER	726
0713872-4	COVER - INSTRUMENT PANEL LOWER	726
0713875-1	DOOR ASSEMBLY - GLOVE BOX	726
0716114-1	COVER ASSEMBLY - FUEL TANK SELECTOR	726
0716114-3	COVER ASSEMBLY - FUEL TANK SELECTOR	726
1200415-7	ESCUTCHEON - OXYGEN PORT	532
1414110-1	TRIM - SEAT BACK	726
1414110-3	POCKET ASSEMBLY - MAGAZINE	726

**INTERIOR PAINTED OR PLASTIC PARTS
1968 MODEL YEAR**

18051876 THRU 18051993
185-1301 THRU 185-1447

**INTERIOR COLOR
CODE**
(From Finish and
Trim Plate)

PART NUMBER	PART NAME	AF	
0413484-3	SHIELD ASSEMBLY - DOORPOST LH	721	
0413484-5	SHIELD ASSEMBLY - DOORPOST RH	721	
0511482-5	SHIELD - INSTRUMENT LIGHT CONSOLE	532	
0511482-9	COVER ASSEMBLY	532	
0513311-1	SUPPORT ASSEMBLY - CONTROL TUBE	156	
0700114-9	DOOR PANEL - LH	721	
0700114-10	DOOR PANEL - RH	721	
0700114-20	FAIRING	721	
0700114-47	PANEL - AFT LH	721	
0700114-48	PANEL - AFT RH	721	
0700114-56	PANEL - FWD RH	721	
0700114-59	PANEL ASSEMBLY - FWD LH	721	
0700114-62	COVER - COWL DECK	825	
0700148-1	HOOD - MAP LIGHT	193	
0700191-1	COVER - TUNNEL	721	
0700191-2	COVER - TUNNEL	721	
0700195-1	COVER - INSTRUMENT PANEL LOWER	721	
0700195-3	COVER - INSTRUMENT PANEL LOWER	721	
0700631-5	FRAME ASSEMBLY - SEAT BOTTOM LH	749	
0700631-6	FRAME ASSEMBLY - SEAT BOTTOM RH	749	
0700646-1	SEAT SKIRT	729	
0700646-2	SEAT SKIRT	721	
0710646-1	COVER PLATE - LH	532	
0710647-1	COVER PLATE - RH	532	
0710652-1	ESCUTCHEON - GAGE	532	
0711079-1	PANEL - TRAY ASSEMBLY	721	
0711133-40	SHIELD - DOORPOST RH	721	
0711702-5	FRAME ASSEMBLY - SEAT BOTTOM LH	749	
0711702-6	FRAME ASSEMBLY - SEAT BOTTOM RH	749	
0711702-20	FRAME ASSEMBLY - SEAT BACK	749	
0713025-6	COVER ASSEMBLY - TRIM WHEEL	721	
0713257-1	COVER - RUDDER TRIM WHEEL	721	
0713764-12	COVER - INSTRUMENT PANEL RH	279	
0713764-14	COVER - INSTRUMENT PANEL RH	279	
0713764-16	COVER - SHOCK PANEL	279	
0713871-1	COVER - RADIO CUTOUT	279	
0713875-3	DOOR ASSEMBLY - GLOVE BOX	721	
0713887-1	EYEBROW - INSTRUMENT PANEL	883	
0713889-1	RETAINER - EYEBROW	156	
0713907-1	COVER - BRACKET	721	
0716114-1	COVER ASSEMBLY - FUEL TANK SELECTOR	721	
0716114-3	COVER ASSEMBLY - FUEL TANK SELECTOR	721	
0717000-4	PANEL - BAGGAGE DOOR	721	
0760006-1	SHIELD - CONTROL YOKE	721	
1200415-7	ESCUTCHEON - OXYGEN PORT	532	
1414110-1	TRIM - SEAT BACK	721	
1414110-3	POCKET ASSEMBLY - MAGAZINE	721	
1470089-14	MAPLIGHT ASSEMBLY	279	

Cessna
Illustrated parts catalog

MODEL 180 & 185

INTERIOR PAINTED OR PLASTIC PARTS

1969 MODEL YEAR

18051994 THRU 18052103

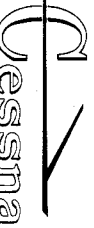
185-1448 THRU 185-1599

INTERIOR COLOR CODE

(From Finish and Trim Plate)

AF BF KF

PART NUMBER	PART NAME	AF	BF	KF
0413484-3	SHIELD ASSEMBLY - DOORPOST LH	721	721	721
0413484-5	SHIELD ASSEMBLY - DOORPOST RH	721	721	721
0511482-5	SHIELD - INSTRUMENT LIGHT CONSOLE	532	532	532
0511482-9	COVER ASSEMBLY	532	532	532
0513311-1	SUPPORT ASSEMBLY - CONTROL TUBE	156	156	156
0513311-2	SUPPORT ASSEMBLY - CONTROL TUBE	156	156	156
0700114-9	DOOR PANEL - LH	721	721	721
0700114-10	DOOR PANEL - RH	721	721	721
0700114-20	FAIRING	721	721	721
0700114-47	PANEL - AFT LH	721	721	721
0700114-48	PANEL - AFT RH	721	721	721
0700114-56	PANEL - FWD RH	721	721	721
0700114-59	PANEL ASSEMBLY - FWD LH	721	721	721
0700114-62	COVER - COWL DECK	825	825	825
0700148-1	HOOD - MAP LIGHT	193	193	193
0700191-1	COVER - TUNNEL	721	721	721
0700191-2	COVER - TUNNEL	721	721	721
0700191-3	COVER - TUNNEL	721	721	721
0700195-1	COVER - INSTRUMENT PANEL LOWER	721	721	721
0700195-3	COVER - INSTRUMENT PANEL LOWER	721	721	721
0700631-5	FRAME ASSEMBLY - SEAT BOTTOM LH	749	749	749
0700631-6	FRAME ASSEMBLY - SEAT BOTTOM RH	749	749	749
0700646-1	SEAT SKIRT	721	721	721
0700646-2	SEAT SKIRT	721	721	721
0710646-1	COVER PLATE - LH	532	532	532
0710647-1	COVER PLATE - RH	532	532	532
0710652-1	ESCUTCHEON - GAGE	532	532	532
0711079-1	PANEL - TRAY ASSEMBLY	721	721	721
0711079-6	PANEL - TRAY ASSEMBLY	721	721	721
0711133-40	SHIELD - DOORPOST RH	721	721	721
0711702-5	FRAME ASSEMBLY - SEAT BOTTOM LH	749	749	749
0711702-6	FRAME ASSEMBLY - SEAT BOTTOM RH	749	749	749
0711702-20	FRAME ASSEMBLY - SEAT BACK	749	749	749
0713025-6	COVER ASSEMBLY - TRIM WHEEL	721	721	721
0713257-1	COVER - RUDDER TRIM WHEEL	721	721	721
0713764-12	COVER - INSTRUMENT PANEL RH	279	279	279
0713764-14	COVER - INSTRUMENT PANEL RH	279	279	279
0713764-16	COVER - SHOCK PANEL	279	279	279
0713871-1	COVER - RADIO CUTOUT	279	279	279
0713872-9	COVER ASSEMBLY - INSTRUMENT PANEL UPPER	279	279	279
0713875-3	DOOR ASSEMBLY - GLOVE BOX	721	721	721
0713907-1	COVER - BRACKET	721	721	721
0716114-1	COVER ASSEMBLY - FUEL TANK SELECTOR	721	721	721
0716114-3	COVER ASSEMBLY - FUEL TANK SELECTOR	721	721	721
0717000-4	PANEL - BAGGAGE DOOR	721	721	721
0760006-1	SHIELD - CONTROL YOKE	721	721	721
1200415-7	ESCUTCHEON - OXYGEN PORT	532	532	532
1470089-14	MAPLIGHT ASSEMBLY	279	279	279



INTERIOR PAINTED OR PLASTIC PARTS

1970 MODEL YEAR

18052104 THRU 18052175
18501600 THRU 18501832

INTERIOR COLOR CODE

(From Finish and
Trim Plate)

PART NUMBER	PART NAME	INTERIOR COLOR CODE		
		AP	BP	MP
0413484-3	SHIELD ASSEMBLY - DOORPOST LH	978	978	978
0413484-5	SHIELD ASSEMBLY - DOORPOST RH	978	978	978
0511130	SHIELD - FRONT SPAR	531	531	531
0511482-5	SHIELD - INSTRUMENT LIGHT CONSOLE	532	532	532
0511482-9	COVER ASSEMBLY	532	532	532
0513311-1	SUPPORT ASSEMBLY - CONTROL TUBE	156	156	156
0513311-2	SUPPORT ASSEMBLY - CONTROL TUBE	156	156	156
0514017-1	TRIM - LH	978	978	978
0514017-2	TRIM - RH	978	978	978
0514017-3	TRIM	978	978	978
0514018-1	TRIM ASSEMBLY - SEAT BACK	978	978	978
0514018-3	POCKET ASSEMBLY - MAGAZINE	978	978	978
0514055-1	TRIM ASSEMBLY - SEAT BACK	978	978	978
0514055-3	POCKET ASSEMBLY - MAGAZINE	978	978	978
0700114-20	FAIRING	978	978	978
0700114-62	COVER - COWL DECK	825	825	825
0700148-1	HOOD - MAP LIGHT	193	193	193
0700191-1	COVER - TUNNEL	978	978	978
0700191-2	COVER - TUNNEL	978	978	978
0700191-3	COVER - TUNNEL	978	978	978
0700195-4	COVER - INSTRUMENT PANEL LOWER	978	978	978
0700195-6	COVER - INSTRUMENT PANEL LOWER	978	978	978
0710646-1	COVER PLATE - LH	532	532	532
0710647-1	COVER PLATE - RH	532	532	532
0710652-1	ESCUTCHEON - GAGE	532	532	532
0711079-1	PANEL - TRAY ASSEMBLY	978	978	978
0711079-6	PANEL - TRAY ASSEMBLY	978	978	978
0711133-40	SHIELD - DOORPOST RH	978	978	978
0711702-5	FRAME ASSEMBLY - SEAT BOTTOM LH	985	985	985
0711702-6	FRAME ASSEMBLY - SEAT BOTTOM RH	985	985	985
0711702-20	FRAME ASSEMBLY - SEAT BACK	985	985	985
0713025-6	COVER ASSEMBLY - TRIM WHEEL	978	978	978
0713257-1	COVER - RUDDER TRIM WHEEL	978	978	978
0713764-12	COVER - INSTRUMENT PANEL RH	279	279	279
0713764-14	COVER - INSTRUMENT PANEL RH	279	279	279
0713764-16	COVER - SHOCK PANEL	279	279	279
0713871-1	COVER - RADIO CUTOUT	279	279	279
0713872-9	COVER ASSEMBLY - INSTRUMENT PANEL UPPER	279	279	279
0713875-3	DOOR ASSEMBLY - GLOVE BOX	978	978	978
0713907-1	COVER - BRACKET	978	978	978
0714010-1	TRIM - LH	978	978	978
0714010-2	TRIM - RH	978	978	978
0715015-9	DOOR PANEL - LH	978	978	978
0715015-10	DOOR PANEL - RH	978	978	978
0715015-11	PANEL - AFT LH	978	978	978
0715015-12	PANEL - AFT RH	978	978	978
0715015-13	PANEL ASSEMBLY - BAGGAGE DOOR	978	978	978



Illustrated parts catalog

MODEL 180 & 185

**INTERIOR PAINTED OR PLASTIC PARTS
1970 MODEL YEAR**

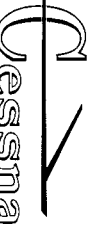
18052104 THRU 18052175
18501600 THRU 18501832

INTERIOR COLOR CODE

(From Finish and
Trim Plate)

PART NAME	PART NUMBER	INTERIOR COLOR CODE		
		AP	BP	MP
0716114-1	COVER ASSEMBLY - FUEL TANK SELECTOR	978	978	978
0716114-3	COVER ASSEMBLY - FUEL TANK SELECTOR	978	978	978
0760006-1	SHIELD - CONTROL YOKE	978	978	978
1200415-7	ESCUTCHEON - OXYGEN PORT	532	532	532
1470089-14	MAPLIGHT ASSEMBLY	279	279	279

MODEL 180 & 185



illustrated parts catalog

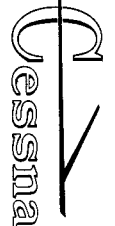
**INTERIOR PAINTED OR PLASTIC PARTS
1971 MODEL YEAR**

18052176 THRU 18052284
18501833 THRU 18502090

**INTERIOR COLOR
CODE**

(From Finish and Trim Plate)

PART NUMBER	PART NAME	INTERIOR COLOR CODE				
		AP	BH	BP	DP	MP
0413484-3	SHIELD ASSEMBLY - DOORPOST LH	978	978	978	978	978
0413484-5	SHIELD ASSEMBLY - DOORPOST RH	978	978	978	978	978
0511130	SHIELD - FRONT SPAR.	531	531	531	531	531
0511482-5	SHIELD - INSTRUMENT LIGHT CONSOLE	532	532	532	532	532
0511482-9	COVER ASSEMBLY.	532	532	532	532	532
0513013-12	BAGGAGE SHELF	978	978	978	978	978
0513311-1	SUPPORT ASSEMBLY - CONTROL TUBE	156	156	156	156	156
0513311-2	SUPPORT ASSEMBLY - CONTROL TUBE	156	156	156	156	156
0513311-7	SUPPORT ASSEMBLY - CONTROL TUBE	156	156	156	156	156
0514017-1	TRIM - LH	978	978	978	978	978
0514017-2	TRIM - RH	978	978	978	978	978
0514017-3	TRIM	978	978	978	978	978
0514018-3	POCKET ASSEMBLY - MAGAZINE	978	978	978	978	978
0514018-15	TRIM ASSEMBLY - SEAT BACK	978	978	978	978	978
0514055-11	TRIM ASSEMBLY - SEAT BACK	978	978	978	978	978
0514055-3	POCKET ASSEMBLY - MAGAZINE	978	978	978	978	978
0700114-20	FAIRING	978	978	978	978	978
0700114-62	COVER - COWL DECK	825	825	825	825	825
0700148-1	HOOD - MAP LIGHT	193	193	193	193	193
0700191-1	COVER - TUNNEL	978	978	978	978	978
0700191-2	COVER - TUNNEL	978	978	978	978	978
0700191-3	COVER - TUNNEL	978	978	978	978	978
0700195-11	COVER - INSTRUMENT PANEL LOWER	978	978	978	978	978
0700195-12	COVER - INSTRUMENT PANEL LOWER	978	978	978	978	978
0700631-5	FRAME ASSEMBLY - SEAT BOTTOM LH	985	985	985	985	985
0700631-6	FRAME ASSEMBLY - SEAT BOTTOM RH	985	985	985	985	985
0700646-1	SKIRT - SEAT BOTTOM LH	978	978	978	978	978
0700646-2	SKIRT - SEAT BOTTOM RH	978	978	978	978	978
0710646-1	COVER PLATE - LH	532	532	532	532	532
0710647-1	COVER PLATE - RH	532	532	532	532	532
0710652-1	ESCUTCHEON - GAGE	532	532	532	532	532
0711079-1	PANEL - TRAY ASSEMBLY	978	978	978	978	978
0711079-6	PANEL - TRAY ASSEMBLY	978	978	978	978	978
0711133-40	SHIELD - DOORPOST RH	978	978	978	978	978
0711702-5	FRAME ASSEMBLY - SEAT BOTTOM LH	985	985	985	985	985
0711702-6	FRAME ASSEMBLY - SEAT BOTTOM RH	985	985	985	985	985
0711702-20	FRAME ASSEMBLY - SEAT BACK	985	985	985	985	985
0713025-6	COVER ASSEMBLY - TRIM WHEEL	978	978	978	978	978
0713257-1	COVER - RUDDER TRIM WHEEL	978	978	978	978	978
0713764-12	COVER - INSTRUMENT PANEL RH	279	279	279	279	279
0713764-14	COVER - INSTRUMENT PANEL RH	279	279	279	279	279
0713764-16	COVER - SHOCK PANEL	279	279	279	279	279
0713764-22	COVER - SHOCK PANEL	279	279	279	279	279
0713764-23	COVER - INSTRUMENT PANEL RH	279	279	279	279	279



Illustrated parts catalog

MODEL 180 & 185

INTERIOR PAINTED OR PLASTIC PARTS

1971 MODEL YEAR

18052176 THRU 18052284

18501833 THRU 18502090

INTERIOR COLOR
CODE

(From Finish and Trim Plate)

PART NUMBER	PART NAME	INTERIOR COLOR CODE				
		AP	BH	BP	DP	MP
0713871-1	COVER - RADIO CUTOUT	279	279	279	279	279
0713875-3	DOOR ASSEMBLY - GLOVE BOX	978	978	978	978	978
0713907-1	COVER - BRACKET	978	978	978	978	978
0713958-1	COVER - SWITCH PANEL	279	279	279	279	279
0714010-1	TRIM - LH	978	978	978	978	978
0714010-2	TRIM - RH	978	978	978	978	978
0715015-9	DOOR PANEL - LH	978	978	978	978	978
0715015-10	DOOR PANEL - RH	978	978	978	978	978
0715015-11	PANEL - AFT LH	978	978	978	978	978
0715015-12	PANEL - AFT RH	978	978	978	978	978
0715015-14	PANEL ASSEMBLY - BAGGAGE DOOR	978	978	978	978	978
0715020-1	TRIM - SEAT BOTTOM	532	532	532	532	532
0716114-1	COVER ASSEMBLY - FUEL TANK SELECTOR	978	978	978	978	978
0716114-3	COVER ASSEMBLY - FUEL TANK SELECTOR	978	978	978	978	978
0760006-1	SHIELD - CONTROL YOKE	978	978	978	978	978
1200415-7	ESCUTCHEON - OXYGEN PORT	532	532	532	532	532
1470089-14	MAPLIGHT ASSEMBLY	279	279	279	279	279



**INTERIOR PAINTED OR PLASTIC PARTS
1973 MODEL YEAR**

18052285 & ON
18502091 & ON

**INTERIOR COLOR
CODE**
(From Finish and
Trim Plate)

PART NUMBER	PART NAME	INTERIOR COLOR CODE		
		AP	BP	DP
0413484-15	SHIELD ASSEMBLY - DOORPOST LH	978	978	978
0413484-16	SHIELD ASSEMBLY - DOORPOST RH	978	978	978
0511130	SHIELD - FRONT SPAR	531	531	531
0511482-5	SHEILD - INSTRUMENT LIGHT CONSOLE	532	532	532
0511482-9	COVER ASSEMBLY	532	532	532
0513013-12	BAGGAGE SHELF	978	978	978
0513311-2	SUPPORT ASSEMBLY - CONTROL TUBE	156	156	156
0513311-7	SUPPORT ASSEMBLY - CONTROL TUBE	156	156	156
0514017-3	TRIM	978	978	978
0514018-3	POCKET ASSEMBLY - MAGAZINE	978	978	978
0514018-15	TRIM ASSEMBLY - SEAT BACK	978	978	978
0514055-11	TRIM ASSEMBLY - SEAT BACK	978	978	978
0514055-3	POCKET ASSEMBLY - MAGAZINE	978	978	978
0700114-20	FAIRING	978	978	978
0700114-62	COVER - COWL DECK	825	825	825
0700148-1	HOOD - MAP LIGHT	193	193	193
0700191-1	COVER - TUNNEL	978	978	978
0700191-2	COVER - TUNNEL	978	978	978
0700191-3	COVER - TUNNEL	978	978	978
0710646-1	COVER PLATE - LH	532	532	532
0710647-1	COVER PLATE - RH	532	532	532
0710652-1	ESCUTCHEON - GAGE	532	532	532
0711079-1	PANEL - TRAY ASSEMBLY	978	978	978
0711079-6	PANEL - TRAY ASSEMBLY	978	978	978
0711133-72	SHIELD - DOORPOST RH	978	978	978
0711702-5	FRAME ASSEMBLY - SEAT BOTTOM LH	985	985	985
0711702-6	FRAME ASSEMBLY - SEAT BOTTOM RH	985	985	985
0711702-20	FRAME ASSEMBLY - SEAT BACK	985	985	985
0713025-6	COVER ASSEMBLY - TRIM WHEEL	978	978	978
0713257-1	COVER - RUDDER TRIM WHEEL	978	978	978
0713871-1	COVER - RADIO CUTOUT	279	279	279
0713875-3	DOOR ASSEMBLY - GLOVE BOX	978	978	978
0713907-1	COVER - BRACKET	978	978	978
0713958-5	COVER - SWITCH PANEL	279	279	279
0713966-1	COVER - INSTRUMENT PANEL LOWER	978	978	978
0713966-2	COVER - INSTRUMENT PANEL LOWER	978	978	978
0713968-1	COVER - SHOCK PANEL	279	279	279
0713968-2	COVER - SHOCK PANEL	279	279	279
0714010-1	TRIM LH	978	978	978
0714010-2	TRIM RH	978	978	978
0715015-9	DOOR PANEL - LH	978	978	978
0715015-10	DOOR PANEL - RH	978	978	978
0715015-11	PANEL - AFT LH	978	978	978

Cessna

Illustrated parts catalog

MODEL 180 & 185

INTERIOR PAINTED OR PLASTIC PARTS

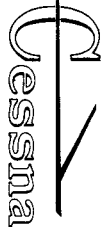
1973 MODEL YEAR

18052285 & ON
18502091 & ON

INTERIOR COLOR
CODE

(From Finish and
Trim Plate)

PART NUMBER	PART NAME	INTERIOR COLOR CODE		
		AP	BP	DP
0715015-12	PANEL - AFT RH	978	978	978
0715015-14	PANEL ASSEMBLY - B AGGAGE DOOR	978	978	978
0716114-1	COVER ASSEMBLY - FUEL TANK SELECTOR	978	978	978
0716114-3	COVER ASSEMBLY - FUEL TANK SELECTOR	978	978	978
0760006-1	SHIELD - CONTROL YOKE	978	978	978
1200415-7	ESCUTCHEON - OXYGEN PORT	532	532	532
1470089-14	MAPLIGHT ASSEMBLY	279	279	279





ALPHABETICAL INDEX

ALPHABETICAL INDEX

NOMENCLATURE	FIGURE	NOMENCLATURE	FIGURE
A		A (cont)	
ABRASION BOOT	19	AIRSPEED INDICATOR	68A
ACCESS DOOR-COWL	73	AIRSPEED INDICATOR	68B
ACCESS DOOR-COWL	73A	AIRSPEED INDICATOR	68C
ACCESSORY KITS-SEE ACC KITS CATALOG.		AIRSPEED INDICATOR-AMPHIBIAN	128
ACCUMULATOR TANK-FUEL	105	AIRSPEED INDICATOR-TRUE	68A
ACCUMULATOR TANK-FUEL	103	AIRSPEED INDICATOR-TRUE	68B
ACCUMULATOR TANK-FUEL	104	AIRSPEED INDICATOR-TRUE	68C
ACTUATOR HINGE-STABILIZER	100	AIRSPEED INDICATOR-TRUE	101
ACTUATOR-POWER SEAT BACK	63A	AIRSPEED INDICATOR-TRUE	102
ACTUATOR-STABILIZER	100	ALIGHTING GEAR	40
ADAPTER-FUEL TANK DRAIN	13	ALIGHTING GEAR-CROSSWIND	40A
ADAPTER-OIL FILTER	113	ALIGHTING GEAR-CROSSWIND	41
ADAPTER-OIL FILTER	113A	ALIGHTING GEAR-MAIN	41
ADAPTER-OIL FILTER	115	ALTERNATE STATIC SOURCE INSTL	102A
ADAPTER-OIL TEMPERATURE	74	ALTERNATOR	76A
ADAPTER-REAR AIR VENT	88A	ALTERNATOR	77B
ADAPTER-REAR AIR VENT	88	ALTERNATOR	121
ADAPTER-ROTATING BEACON	24	ALTERNATOR	122
ADJUSTER-SENSITIVITY-TACTAIR	135	ALTERNATOR DRIVE BELT	123B
AFT SECTION	22	ALTERNATOR-SHOCK MOUNTED	123B
AFT SECTION	23	ALTIMETER	67
AFT SECTION-FUSELAGE	35	ALTIMETER	68
AFT SECTION-FUSELAGE	35A	ALTIMETER	68A
AILERON	14	ALTIMETER	68B
AILERON AMPLIFIER-TACTAIR	135	ALTIMETER	68C
AILERON BELLCRANK	14	ALTIMETER	101
AILERON CARRY THRU TUBE	95	ALTIMETER	102
AILERON CHAIN	95	ALTITUDE HOLD-TACTAIR	134
AILERON CHAIN SPROCKET	94	AMMETER	67
AILERON CONTROL SYSTEM	95	AMMETER	68
AILERON CONTROL CABLE	95	AMMETER	68A
AILERON HINGE	14	AMMETER	68B
AILERON PUSH PULL ROD	14	AMMETER	68C
AILERON PUSH-PULL ROD	95	AMPHIBIAN FITTINGS	128
AILERON SERVO	95A	AMPLIFIER-AILERON-TACTAIR	135
AILERON SERVO-TACTAIR	134	AMPLIFIER-ELEVATOR-TACTAIR	134
AILERON SERVO-TACTAIR	135	ANNIVERSARY MODEL MEDALLION	2
AILERON WEIGHT	14	ARM-GOVERNOR CONTROL	74
AILERON-SPAR	14	ARM-TAILWHEEL	47
AIR BOX	76	ARMREST	54
AIR BOX DRAIN TUBE	76	ASH RECEIVER	60
AIR BOX DRAIN	78	ASH RECEIVER	63A
AIR BOX FILTER	73	ASH TRAY	57
AIR BOX FILTER	73A	ASH TRAY	57A
AIR BOX-ENGINE	77	ASH TRAY	58
AIR BOX-INDUCTION	78	ASH TRAY-FRONT SEAT	63
AIR BOX-INDUCTION	78A	ASH TRAY-FRONT SEAT	63C
AIR CONTROL-CABIN	67	AUTO PILOT-TACTAIR T-3	134
AIR CONTROL-CABIN	68	AUTO PILOT-TACTAIR T-2	135
AIR CONTROL-CABIN	68A	AUXILIARY FUEL PUMP & STRAINER	108
AIR CONTROL-CABIN	68B	AUXILIARY FUEL PUMP & STRAINER	103
AIR CONTROL-CABIN	68C	AUXILIARY FUEL PUMP & STRAINER	105
AIR CONTROL-INDUCTION	68	AUXILIARY FUEL PUMP & STRAINER	104
AIR CONTROL-INDUCTION	68A	AUXILIARY FUEL GAGE	67
AIR FILTER-CARBURETOR	77B	AUXILIARY FUEL SWITCH	67
AIR FILTER-VACUUM	117B	AUXILIARY FUEL SWITCH	68
AIR FILTER-VACUUM	117C	AUXILIARY FUEL SWITCH	68D
AIR INLET-ALTERNATE	78	AUXILIARY FUEL SWITCH	68E
AIR INTAKE HOSE	77	AUXILIARY FUEL PUMPS & STRAINER	107
AIR THROTTLE	76A	AUXILIARY REFUELING EQUIPMENT	70B
AIR VALVE-WARM	89	AUXILIARY SEAT	66
AIR VENT DOOR-SIDE	88	AXLE BOOT-CROSSWIND GEAR	44
AIR VENT VALVE-REAR CABIN	88	AXLE-CROSSWIND GEAR	40A
AIR-INDUCTION CONTROL	74	AXLE-CROSSWIND GEAR	44
AIRSPEED INDICATOR	102	AXLE-MAIN GEAR	41
AIRSPEED INDICATOR	101	AXLE-MAIN GEAR	40
AIRSPEED INDICATOR	67	AXLE-SKI	41
AIRSPEED INDICATOR	68	AXLE-SKI	40

ALPHABETICAL INDEX

NOMENCLATURE	FIGURE	NOMENCLATURE	FIGURE
B (cont)		C (cont)	
BRACKET-FUEL STRAINER.	33	CABIN HEAT CONTROL	68
BRACKET-COMPASS.	31	CABIN HEAT CONTROL	68A
BRAKE.	41	CABIN HEAT CONTROL	68B
BRAKE.	40	CABIN HEAT CONTROL	68C
BRAKE & RUDDER PEDAL	91	CABIN HEAT CONTROL	89
BRAKE & RUDDER PEDAL	92	CABIN HEATER DUCT.	89
BRAKE HANDLE-PARKING	90	CABIN HEATER-MANIFOLD.	89
BRAKE HOSE	90	CABIN LIGHTS	121
BRAKE LINE	40	CABIN LIGHTS	123
BRAKE LINE	40A	CABIN LIGHTS	122
BRAKE LINF	41	CABIN STEP	22
BRAKE LINE	90	CABIN STEP	23
BRAKE LINING-CROSSWIND GEAR.	44	CABIN TOP.	24
BRAKE LINK-DUAL.	91	CABIN TOP.	25
BRAKE LINK-DUAL.	92	CABIN TOP-REAR	26
BRAKE MASTER CYLINDER.	93	CABIN VENTILATION SYSTEM	88
BRAKE MASTER CYLINDER PISTON	93	CABIN VENTILATION SYSTEM	88A
BRAKE MASTER CYLINDER.	91	CABLE DEFLECTOR INSTL.	70A
BRAKE MASTER CYLINDER.	90	CABLE-AILERON CONTROL.	95
BRAKE MASTER CYLINDER.	92	CABLE-AILERON SERVO.	95A
BRAKE SYSTEM	90	CABLE-BATTERY.	121
BRAKE-CROSSWIND GEAR	42B	CABLE-BATTERY.	122
BRAKE-CROSSWIND GEAR	44	CABLE-CAMERA	132
BRAKE-MAIN WHEEL	43	CABLE-ELFVATOR CONTROL	96
BRAKE-MAIN WHEEL	42	CABLE-FLAP CONTROL	97
BRAKE-MAIN WHEEL	42A	CABLE-RUDDER CONTROL	98
BRAKE-PARKING.	90	CABLE-RUDDER CONTROL	99
BREAKER-CIRCUIT.	67	CABLE-STABILIZER TRIM.	100
BREAKER-CIRCUIT.	68	CABLE-TACTAIR	134
BREAKER-CIRCUIT.	68D	CABLE-TACTAIR.	135
BREAKER-CIRCUIT.	68E	CABLE-TAILWHEEL.	46
BREATHER TUBE.	76	CABLE-TAILWHEEL.	45
BREATHER TUBE.	77	CABLES-CAMERA.	131
BULB-CHARGE INDICATOR.	67	CAM-DOOR LOCK.	49
BULB-CHARGE INDICATOR.	68	CAMERA CUT-OUT SEAL.	133
BULB-CYLINDER HEAD TEMP.	76	CAMERA FLOORBOARD.	131
BULB-DOME LIGHT.	123	CAMERA FLOORBOARD.	132
BULB-INSTRUMENT PANEL LIGHT.	123	CAMERA GAS DEFLECTOR	132
BULB-LANDING LIGHT	3	CAMERA PROVISIONS-CENTERLINE	131
BULB-LANDING LIGHT	125B	CAMERA PROVISIONS-OFF CENTER	133
BULB-NAVIGATION LIGHT.	3	CAMERA PROVISIONS-CENTER-LINE	132
BULB-NAVIGATION LIGHT.	3A	CAMERA SEAT.	132
BULB-MAP LIGHT	123A	CAMERA WINDOW.	131
BULB-MAP LIGHT	94B	CAMERA WINDOW.	131
BULKHEAD ASSEMBLY-LANDING GEAR	30	CAMERA WINDOW.	133
BULKHEAD STA 65.33	32	CAMERA WINDOW.	132
BULKHEAD STA 65.33	32A	CAP-AIR OUTLET	88
BULKHEAD-SPINNER	71	CAP-AIR OUTLET	88A
BUNGEE-RUDDER.	98	CAP-FUEL	13
BUSS BAR	68D	CAP-GAS.	13
BUSS BAR	68C	CAP-HUB.	41
C		CARBURETOR	77B
CABIN AIR CONTROL.	67	CARBURETOR AIR FILTER.	77B
CABIN AIR CONTROL.	68	CARBURETOR AIR TEMP. GAGE.	67
CABIN AIR CONTROL.	68A	CARBURETOR AIR TEMP. GAGE.	68A
CABIN AIR CONTROL.	68B	CARBURETOR AIR TEMP. GAGE.	68B
CABIN AIR CONTROL.	68C	CARBURETOR AIR TEMP. GAGE.	68C
CABIN AIR VENT SCOOP	8	CARBURETOR AIR TEMP. PROBE	77
CABIN AIR VENT SCOOP	8A	CARBURETOR AIR INTAKE DUCT	73
CABIN AIR VENT SCOOP	7	CARBURETOR AIR INTAKE DUCT	73A
CABIN DOOR FRAME	25	CARBURETOR HEAT CONTROL.	67
CABIN DOOR LH.	49	CARBURETOR HEAT CONTROL.	68A
CABIN DOOR RH.	50	CARBURETOR HEAT CONTROL.	68B
CABIN HEAT CONTROL	67	CARBURETOR HEAT CONTROL.	68C
		CARBURETOR HEAT CONTROL.	75
		CARBURETOR HEAT HOSE	77
		CARD COVER-CORRECTION.	67
		CARD COVER-CORRECTION.	68

ALPHABETICAL INDEX

NOMENCLATURE	FIGURE	NOMENCLATURE	FIGURE
C (cont)		C (cont)	
CARD COVER-CORRECTION.	68A	CONTROL CABLE-RUDDER	98
CARD COVER-CORRECTION.	68B	CONTROL CABLE-RUDDER	99
CARD-CORRECTION.	67	CONTROL CABLE-STABILIZER TRIM.	100
CARD-CORRECTION.	68	CONTROL LEVER-COWL FLAP.	87
CARD-CORRECTION.	68A	CONTROL LOCK	70
CARD-CORRECTION.	68B	CONTROL SYSTEM-RUDDER.	98
CARD-CORRECTION RETAINER	67	CONTROL SYSTEM-AILERON	95
CARD-CORRECTION RETAINER	68	CONTROL SYSTEM-COWL FLAP	87
CARD-CORRECTION RETAINER	68A	CONTROL SYSTEM-ELEVATOR.	96
CARD-CORRECTION RETAINER	68B	CONTROL SYSTEM-FLAP.	97
CARGO PACK	129	CONTROL SYSTEM-RUDDER.	99
CARGO PACK DOOR.	129	CONTROL SYSTEM-STABILIZER TRIM	100
CARPET	56	CONTROL TEE.	94
CASE-GLOVE & MAP	69	CONTROL TEE SHIELD	56
CASE-MAP	67	CONTROL TUBE COLLAR.	68
CASE-MAP	68	CONTROL TUBE SOCKET.	68
CASE-OXYGEN MASK	119	CONTROL TUBE SUPPORT	68A
CASTING-TAILGEAR MOUNTING.	38	CONTROL TUBE SUPPORT	68B
CATALOG-HOW TO USE	PAGE I	CONTROL TUBE SUPPORT	68C
CATCH-GLOVEBOX MAGNETIC.	69A	CONTROL TUBE-SUPPORT TEE	94
CENTER STOWABLE SEAT	65	CONTROL UNIT-TACTAIR	135
CENTER-LINE CAMERA PROVISIONS.	131	CONTROL WHEEL	94
CENTER-LINE CAMERA PROVISIONS.	132	CONTROL WHEEL	94A
CHAIN-AILERON.	95	CONTROL WHEEL	94B
CHAIN-STABILIZER TRIM.	100	CONTROL WHEEL & SWITCHES INSTL	94B
CHARGE INDICATOR LIGHT	67	CONTROL WHEEL EMBLEM	94
CHARGE INDICATOR LIGHT	68	CONTROL WHEEL EMBLEM	2
CHECK VALVE.	108	CONTROL WHEEL EMBLEM	2A
CHECK VALVE.	107	CONTROL WHEEL MAP LIGHT.	94B
CHILD SEAT	65B	CONTROL YOKE	94A
CIGAR LIGHTER.	67	CONTROL YOKE SHIELD.	56
CIGAR LIGHTER.	68	CONTROL-CABIN AIR.	67
CIGAR LIGHTER.	68A	CONTROL-CABIN AIR.	68
CIGAR LIGHTER.	68B	CONTROL-CABIN AIR.	68A
CIGAR LIGHTER.	68C	CONTROL-CABIN AIR.	68B
CIGAR LIGHTER.	67	CONTROL-CABIN AIR.	68C
CIRCUIT BREAKER.	68	CONTROL-CABIN HEAT	67
CIRCUIT BREAKER.	68D	CONTROL-CABIN HEAT	68
CIRCUIT BREAKER.	68E	CONTROL-CABIN HEAT	68A
CIRCUIT BREAKER.	113	CONTROL-CABIN HEAT	68B
CIRCUIT BREAKER.	114	CONTROL-CABIN HEAT	68C
CIRCUIT BREAKER.	67	CONTROL-CABIN HEAT	89
CLOCK.	68	CONTROL-CARBURETOR HEAT.	67
CLOCK.	68A	CONTROL-CARBURETOR HEAT.	68A
CLOCK.	68B	CONTROL-CARBURETOR HEAT.	68B
CLOCK.	68C	CONTROL-CARBURETOR HEAT.	68C
CLOCK.	32A	CONTROL-CARBURETOR HEAT.	75
CLUTCH ASSEMBLY-DOOR LATCH	68A	CONTROL-FUEL SHUT OFF.	68A
CLUSTER-INSTRUMENT	68B	CONTROL-FUEL SHUT OFF.	68B
CLUSTER-INSTRUMENT	68C	CONTROL-FUEL VALVE	105
CLUSTER-INSTRUMENT	53	CONTROL-FUEL VALVE	104
COAT HANGER HOOK	67	CONTROL-INDUCTION AIR.	68
COLLAR-CONTROL TUBE.	68	CONTROL-INDUCTION AIR.	68A
COLLAR-CONTROL TUBE.	83	CONTROL-INDUCTION AIR.	74
COLLECTOR-FXHAUST STACKS	134	CONTROL-MIXTURE	67
COMMAND CONTROL-TACTAIR.	70	CONTROL-MIXTURE	68
COMPASS.	31	CONTROL-MIXTURE	68A
COMPASS BRACKET.	121	CONTROL-MIXTURE	68B
CONTACTOR-MASTER SOLENOID.	122	CONTROL-MIXTURE	68C
CONTACTOR-MASTER SOLENOID.	76	CONTROL-MIXTURE	74
CONTINENTAL ENGINE	77	CONTROL-MIXTURE	75
CONTINENTAL ENGINE	74	CONTROL-MIXTURE	74
CONTROL ARM-GOVERNOR	97	CONTROL-PROPELLER.	75
CONTROL BELLCRANK-FLAP	78	CONTROL-PROPELLER.	67
CONTROL BELLCRANK-THROTTLE	78	CONTROL-PROPELLER PITCH.	68
CONTROL BELLCRANK-MIXTURE.	95	CONTROL-PROPELLER PITCH.	68A
CONTROL CABLE-AILERON.	96	CONTROL-PROPELLER PITCH.	68B
CONTROL CABLE-ELEVATOR	97	CONTROL-PROPELLER PITCH.	68C
CONTROL CABLE-FLAP			

ALPHABETICAL INDEX

NOMENCLATURE	FIGURE	NOMENCLATURE	FIGURE
C (cont)		C (cont)	
CONTROL-STRAINER DRAIN	67	COWL FLAP EXTENSIONS-CARGO PACK.	129
CONTROL-STRAINER DRAIN	68	COWL NOSE CAP.	73
CONTROL-STRAINER DRAIN	68A	COWL NOSE CAP.	73A
CONTROL-STRAINER DRAIN	74	COWL OPENING COVER	86
CONTROL-STRAINER DRAIN	75	COWL-ENGINE.	73
CONTROL-STRAINER DRAIN	109	COWL-ENGINE.	73A
CONTROL-STRAINER DRAIN	110	CROSSWIND AXLE & HUB	44
CONTROL-TACTAIR COMMAND.	134	CROSSWIND BRAKE LINING	44
CONTROL-THROTTLE	67	CROSSWIND GEAR	41
CONTROL-THROTTLE	68	CROSSWIND GEAR	40A
CONTROL-THROTTLE	68A	CROSSWIND GEAR WHEEL & BRAKE	44
CONTROL-THROTTLE	68B	CROSSWIND GFAR WHEEL & BRAKE	42B
CONTROL-THROTTLE	68C	CUP-FUEL SAMPLER	13A
CONTROL-THROTTLE	74	CUTTER-WIRE.	70A
CONTROL-THROTTLE	75	CYLINDER HEAD TEMP. BULB	76
COOLER-ENGINE OIL.	76	CYLINDER HEAD TEMP. GAGE	67
COOLER-ENGINE OIL.	76A	CYLINDER HEAD TEMP. GAGE	68
COOLER-ENGINE OIL.	77B	CYLINDER HEAD TEMP. GAGE	68A
COOLER-LARGE OIL	77	CYLINDER HEAD TEMP. GAGE	68B
COOLER-NON CONGEALING.	77A	CYLINDER HEAD TEMP. GAGE	68C
CORRECTION CARD.	67	CYLINDER-BRAKE MASTER.	93
CORRECTION CARD.	68	CYLINDER-BRAKE MASTER.	91
CORRECTION CARD.	68A	CYLINDER-BRAKE MASTER.	90
CORRECTION CARD.	68B	CYLINDER-BRAKE MASTER.	92
CORRECTION CARD RETAINER	67	CYLINDER-OXYGEN.	119
CORRECTION CARD RETAINER	68	CYLINDER-OXYGEN.	120
CORRECTION CARD RETAINER	68A	CYLINDER-OXYGEN.	120A
CORRECTION CARD RETAINER	68B	CYLINDER-OXYGEN.	120B
COURTESY LIGHTS.	123	CYLINDER-OXYGEN.	120C
COVER-BALANCE TURF	86	CYLINDER-PROPELLER	72
COVER-CORRECTION CARD.	67	CYLINDER-PROPELLER	72A
COVER-CORRECTION CARD.	68		
COVER-CORRECTION CARD.	68A	D	
COVER-CORRECTION CARD.	68B	DECALS & PLACARDS.	2
COVER-COWL DECK.	53	DECK COVER-COWL.	53
COVER-COWL OPENING	86	DEFLECTOR-EXHAUST HEAT	76
COVER-FLOOR.	55	DEFLECTOR-EXHAUST HEAT	77
COVER-FUEL TANK SELECTOR	105	DEFLECTOR-GAS-CAMERA	131
COVER-INSTRUMENT PANEL	67	DEFLECTOR-GAS-CAMERA	132
COVER-RADIO.	68A	DEFROST OUTLET	89
COVER-RADIO.	68B	DEFROST VALVE GUIDE.	89
COVER-RADIO.	68C	DEFROST VALVE.	89
COVER-RUDDER TRIM WHEEL.	56	DETECTOR-NAVIGATION LIGHT FLASHER.	122
COVER-RUDDER TRIM WHEEL.	98	DETECTOR-NAVIGATION LIGHT	3
COVER-RUDDER TRIM WHEEL.	99A	DETECTOR-NAVIGATION LIGHT.	3A
COVER-SHOCK PANEL.	67	DILUTION SWITCH-OIL.	113
COVER-SHOCK PANEL.	68	DILUTION SWITCH-OIL.	67
COVER-SHOCK PANEL.	68A	DILUTION SWITCH-OIL.	68
COVER-SHOCK PANEL.	68B	DILUTION SWITCH-OIL.	68D
COVER-SHOCK PANEL.	68C	DILUTION SWITCH-OIL.	68E
COVER-STABILIZER TRIM WHEEL.	100	DILUTION-OIL	114
COVER-STATIONARY PANEL	68	DIP STICK-ENGINE OIL	76
COVER-STATIONARY PANEL	68A	DIRECTIONAL GYRO	67
COVER-STATIONARY PANEL	68B	DIRECTIONAL GYRO	68
COVER-STATIONARY PANEL	68C	DIRECTIONAL GYRO	68A
COVER-TUNNEL	55	DIRECTIONAL GYRO	68B
COVER-TUNNEL AFT	28	DIRECTIONAL GYRO	68C
COVER-TUNNEL AFT	29	DIRECTIONAL GYRO	116
COWL ACCESS DOOR	73	DIRECTIONAL GYRO	117
COWL ACCESS DOOR	73A	DIRECTIONAL GYRO	117A
COWL DECK COVER.	53	DIRECTIONAL GYRO	117B
COWL DOOR-OIL.	73	DIRECTIONAL GYRO	117C
COWL DOOR-OIL.	73A	DIRECTIONAL GYRO	134
COWL FLAP.	73	DIRECTIONAL GYRO	135
COWL FLAP.	73A	DISCHARGE HOSE.	117
COWL FLAP CONTROL LEVER.	87		
COWL FLAP CONTROL SYSTEM	87		
COWL FLAP EXTENSION-AG CARRYALL.	87A		

ALPHABETICAL INDEX

NOMENCLATURE	FIGURE	NOMENCLATURE	FIGURE
D(cont)		D(cont)	
DISCHARGE HOSE	117A	DOOR-LITTER	35B
DISCHARGER-STATIC	14	DOOR-MAP CASE	69
DISCHARGER-STATIC	20	DOOR-SIDE AIR VENT	88
DISCHARGER-STATIC	21	DOOR-SIDE AIR VENT	88A
DISENGAGING RUDDER PEDALS	92	DOORPOST-FRONT	30
DISTRIBUTOR-FUEL	118	DORSAL	18
DIVIDED MIDDLE SEAT ASSEMBLY	65A	DORSAL	17
DOME LIGHT	123	DORSAL FITTING	35
DOME-FLASHING BEACON	124A	DORSAL FITTING	35A
DOME-ROTATING BEACON	124	DORSAL RIB	18
DOME-SPINNER	71	DORSAL RIB	17
DOOR FRAME	24	DRAIN ADAPTER-FUEL TANK	13
DOOR FRAME-CABIN	25	DRAIN CONTROL-FUEL STRAINER	109
DOOR HANDLE	49	DRAIN CONTROL-FUEL STRAINER	110
DOOR HANDLE	50	DRAIN CONTROL-STRAINER	67
DOOR HANDLE	50	DRAIN CONTROL-STRAINER	68
DOOR HANDLE ESCUTCHEON	49	DRAIN CONTROL-STRAINER	68A
DOOR HANDLE ESCUTCHEON	50	DRAIN CONTROL-STRAINER	74
DOOR HANDLE-BAGGAGE	58	DRAIN CONTROL-STRAINER	75
DOOR HANDLE-BAGGAGE	57	DRAIN INSTALLATION-OIL SUMP	76
DOOR HANDLE-BAGGAGE	57A	DRAIN LINE-ENGINE PUMP	76
DOOR HINGE-BAGGAGE	52	DRAIN TUBE-AIR BOX	76
DOOR HINGE-CABIN	49	DRAIN TUBE-FLOATPLANE	126
DOOR HINGE-CABIN	50	DRAIN VALVE	109
DOOR JAMB-BAGGAGE	24	DRAIN VALVE-FUEL	105
DOOR JAMB-LITTER	35B	DRAIN VALVE-FUEL	104
DOOR LATCH-LITTER	35B	DRAIN VALVE-FUEL	110
DOOR JAMB-BAGGAGE	25	DRAIN VALVE-FUEL TANK	13A
DOOR LATCH HANDLE	51	DRAIN VALVE-QUICK OIL	77
DOOR LATCH HANDLE	51A	DRAIN-AIR BOX	78
DOOR LATCH STRIKE PLATE	32	DRAIN-FUEL	109
DOOR LATCH STOP	51	DRAIN-FUEL STRAINER	110
DOOR LATCH-BAGGAGE	52	DRAIN-FUEL VALVE	103
DOOR LATCH-CABIN	49	DRIVE BELT-ALTERNATOR	76A
DOOR LATCH-CABIN	50	DRIVE BELT-ALTERNATOR	77B
DOOR LATCH CLUTCH ASSEMBLY	32A	DRIVE BELT-ALTERNATOR	123A
DOOR LOCK-BAGGAGE	52	DRIVE BELT-GENERATOR	76A
DOOR LOCK CAM	49	DRIVE BELT-GENERATOR	77B
DOOR PULL	54	DUAL BRAKE LINK	91
DOOR SEAL	49	DUAL BRAKE LINK	92
DOOR SEAL	50	DUAL BRAKES	91
DOOR SEAL-BAGGAGE	52	DUAL BRAKES	92
DOOR SEAL-LITTER	35B	DUAL CONTROL-RUDDER PEDAL	91
DOOR SILL	24	DUAL CONTROL-RUDDER PEDAL	92
DOOR SOUNDPROOFING	54	DUCT-CABIN HEATER	89
DOOR STOP	49	DUCT-CARBURETOR AIR INTAKE	73
DOOR STOP-CABIN	50	DUCT-CARBURETOR AIR INTAKE	73A
DOOR STRUCTURE-RH CABIN	50	DUST COVER-OXYGEN OUTLET	119
DOOR UPHOLSTERY	54		
DOOR WINDLACE-CABIN	58	E	
DOOR WINDLACE-CABIN	57	ELECTRICAL EQUIPMENT	121
DOOR WINDLACE-CABIN	57A	ELECTRICAL EQUIPMENT	122
DOOR WINDOW-CABIN	49	ELEMENT-OIL FILTER	113
DOOR WINDOW-CABIN	50	ELEMENT-OIL FILTER	115
DOOR-BAGGAGE	22	ELEMENT-VACUUM AIR FILTER	117B
DOOR-BAGGAGE	23	ELEMENT-VACUUM AIR FILTER	117C
DOOR-BAGGAGE	52	ELEVATOR	21
DOOR-CABIN LH	49	ELEVATOR AMPLIFIER-TACTAIR	134
DOOR-CABIN RH	50	ELEVATOR BALANCE WEIGHT	21
DOOR-CARGO PACK	129	ELEVATOR BELLCRANK	96
DOOR-COLD AIR	28	ELEVATOR CONTROL SYSTEM	96
DOOR-COLD AIR	29	ELEVATOR CONTROL CABLE	96
DOOR-COWL	73	ELEVATOR HINGE	21
DOOR-COWL	73A	ELEVATOR PYLON	21
DOOR-GLOVE BOX	69	ELEVATOR SERVO-TACTAIR	134
DOOR-GLOVE BOX	69A		
DOOR-GROUND SERVICE PLUG	125		
DOOR-GROUND SERVICE PLUG	125A		

ALPHABETICAL INDEX

NOMENCLATURE	FIGURE	NOMENCLATURE	FIGURE
E (cont)		F	
ELEVATOR SPAR	21	FAIRING-EMPENNAGE	19
ELEVATOR STOP-AFT	38	FAIRING-WING	3
ELEVATOR STOP-FWD	30	FAIRING-WING	3A
ELEVATOR TIP	21	FAIRING-WING	5
EMBLEM-CONTROL WHEEL	94	FAIRING-WING	6
EMBLEM-CONTROL WHEEL	2	FAIRING-WING	6A
EMBLEM-CONTROL WHEEL	2A	FAIRING-WING STRUT	16
EMBLEM-CONTROL WHEEL	28	FILLER VALVE-OXYGEN	120
EMBLEM-CONTROL WHEEL	2C	FILLET-WING	22
EMBLEMS	2	FILTER ADAPTER-OIL	113
EMBLEMS	2A	FILTER ADAPTER-OIL	113A
EMPENNAGE FAIRING	19	FILTER ADAPTER-OIL	115
ENGINE	74	FILTER ELEMENT-OIL	113
ENGINE	75	FILTER ELEMENT-OIL	113A
ENGINE AIR BOX	77	FILTER ELEMENT-OIL	115
ENGINE BAFFLES	84	FILTER ELEMENT-VACUUM AIR	117B
ENGINE BAFFLE	77	FILTER ELEMENT-VACUUM AIR	117C
ENGINE BAFFLES	85	FILTER-AIR BOX	73
ENGINE BAFFLES	76	FILTER-AIR BOX	73A
ENGINE COMPONENTS & ACCESSORIES	76A	FILTER-CARBURETOR AIR	77B
ENGINE COMPONENTS & ACCESSORIES	77A	FILTER-FUEL PUMP	107
ENGINE COWL	73	FILTER-FUEL STRAINER	110A
ENGINE COWL	73A	FILTER-FULL FLOW OIL	113
ENGINE EXHAUST STACKS	83	FILTER-FULL FLOW OIL	113A
ENGINE EXHAUST STACKS	82	FILTER-FULL FLOW OIL	115
ENGINE MOUNT	76	FILTER-OIL	114
ENGINE MOUNT	77	FILTER-VACUUM AIR	117B
ENGINE MOUNT LUG	76	FILTER-VACUUM AIR	117C
ENGINE MOUNT-FLOATPLANE	126	FIN & DORSAL	18
ENGINE MOUNT-FLOATPLANE	127	FIN & DORSAL	17
ENGINE MUFFLER	83	FIN SPAR	18
ENGINE OIL COOLER	76	FIN SPAR	17
ENGINE OIL DIP STICK	76	FIRE EXTINGUISHER	70
ENGINE PRIMER	67	FIREWALL	33
ENGINE PRIMER	68A	FIREWALL	28
ENGINE PRIMER	68B	FIREWALL	29
ENGINE PRIMER	68C	FIREWALL GROMMETS	33
ENGINE PRIMER	109	FIREWALL GROMMETS	34
ENGINE SHOCK MOUNT	76	FIREWALL GROMMETS	34A
ENGINE SHOCK MOUNT	77	FIREWALL UPHOLSTERY	53
ENGINE-CONTINENTAL	76	FITTING-DORSAL	35
ENGINE-ONTINENTAL	77	FITTING-WING STRUT	16
ESCUTCHEON-DOOR HANDLE	49	FLAP BELLCRANK	15
ESCUTCHEON-DOOR HANDLE	50	FLAP CONTROL BELLCRANK	97
EXHAUST HEAT DEFLECTOR	76	FLAP CONTROL CABLE	97
EXHAUST HEAT DEFLECTOR	77	FLAP CONTROL SYSETM	97
EXHAUST MUFFLER	82	FLAP CONTROL SYSTEM-COWL	87
EXHAUST PIPE	82	FLAP EXTENSIONS-AG CARRYALL	87A
EXHAUST STACKS	76	FLAP EXTENSIONS-CARGO PACK COWL	129
EXHAUST STACKS	77	FLAP HINGE-COWL	73
EXHAUST STACKS-ENGINE	82	FLAP HINGE-COWL	73A
EXHAUST STACKS-ENGINE	83	FLAP LEVER	97
EXPANDER-AIR INTAKE	73	FLAP LEVER LATCH	97
EXPANDER-TIRE	70	FLAP LEVER RATCHET	97
EXTENDED RANGE STRUCTURE-WING	6	FLAP PUSH-PULL ROD	15
EXTENDED RANGE STRUCTURE-WING	6A	FLAP ROLLER	15
EXTERNAL POWER RECEPTACLE	121	FLAP-COWL	73
EXTERNAL POWER RECEPTACLE	122	FLAP-COWL	73A
EXTERNAL POWER RECEPTACLE	125	FLAP-WING	15
EXTERNAL POWER RECEPTACLE	125A	FLASHER-BEACON LIGHT	124A
EXTINGUISHER-FIRE	70	FLASHER-NAVIGATION LIGHTS	122
EYEBOLT-HOISTING	70	FLASHING BEACON	124A
EYEBROW-INSTRUMENT PANEL	68A	FLOAT-FUEL TRANSMITTER	13
EYEBROW-INSTRUMENT PANEL	68B	FLOATPLANE ENGINE MOUNT	126
EYEBROW-INSTRUMENT PANEL	68C	FLOATPLANE FITTINGS	126
		FLOATPLANE FITTINGS	127



ALPHABETICAL INDEX

NOMENCLATURE	FIGURE	NOMENCLATURE	FIGURE
F (cont)		F (cont)	
FLOOR COVER	55	FUEL GAGE	688
FLOORBOARD	24	FUEL GAGE	68C
FLOORBOARD	23	FUEL GAGE-AUXILIARY	67
FLOORBOARD-AFT SECTION	35A	FUEL HOSE	109
FLOORBOARD-CAMERA	131	FUEL JET	118
FLOORBOARD-CAMERA	132	FUEL LINE	108
FLOORBOARD-FLOATPLANE	126	FUEL LINE	103
FLOORBOARD-FRONT SECTION	28	FUEL LINE	105
FLOORBOARD-FRONT SECTION	27	FUEL LINE	104
FLOORBOARD-FRONT SECTION	29	FUEL LINE	109
FLOORBOARD-LANDING GEAR SUPPORT	30	FUEL LNE	107
FLUSH VALVE	13	FUEL METERING UNIT	76A
FORK-TAILWHEEL	46	FUEL PRESSURE HOSE	76
FORK-TAILWHEEL	48	FUEL PRESSURE HOSE	74
FORK-TAILWHEEL	47	FUEL PRIMER SYSTEM	118
FORK-TAILWHEEL	48A	FUEL PRIMER SYSTEM	118A
FORK-TAILWHEEL	48B	FUEL PUMP	76A
FRAME-ADJUSTABLE FRONT SEAT	62	FUEL PUMP & STRAINER-AUXILIARY	103
FRAME-CABIN DOOR	25	FUEL PUMP & STRAINER-AUXILIARY	105
FRAME-DIVIDED MIDDLE SEAT	65A	FUEL PUMP & STRAINER-AUXILIARY	104
FRAME-DOOR	24	FUEL PUMP FILTER	107
FRAME-DOOR WINDOW	50	FUEL PUMP SWITCH	68A
FRAME-FRONT SEAT	63	FUEL PUMP SWITCH	68D
FRAME-WINDOW	49	FUEL PUMP SWITCH	68E
FRONT & CENTER SECTION	24	FUEL PUMP RESISTOR	108
FRONT & CENTER SECTION	22	FUEL PUMP RESISTOR	121
FRONT & CENTER SECTION	23	FUEL PUMP-AUXILIARY	108
FRONT & CENTER SECTION	25	FUEL PUMP-AUXILIARY	107
FRONT SEAT	59	FUEL SAMPLER CUP	13A
FRONT SEAT	59A	FUEL SELECTOR VALVE	105
FRONT SEAT	60	FUEL SELECTOR VALVE	112
FRONT SEAT	61	FUEL SELECTOR VALVE HANDLE	105
FRONT SEAT	61A	FUEL SELECTOR VALVE HANDLE	106
FRONT SEAT	63C	FUEL STRAINER	107
FRONT SEAT BACK	59A	FUEL STRAINER	108
FRONT SEAT BACK	61	FUEL STRAINER	109
FRONT SEAT BACK	61A	FUEL STRAINER	110A
FRONT SEAT BACK	63C	FUEL STRAINER & DRAIN	109
FRONT SEAT BELLCRANK	63	FUEL STRAINER & DRAIN	110
FRONT SEAT BELLCRANK	62	FUEL STRAINER & DRAIN	110A
FRONT SEAT FRAME	63	FUEL STRAINER BRACKET	33
FRONT SEAT FRAME-ADJUSTABLE	62	FUEL STRAINER FILTER	110A
FRONT SEAT ROLLER	63	FUEL SWITCH-AUXILIARY	67
FRONT SEAT-ADJUSTABLE	62	FUEL SWITCH-AUXILIARY	68
FRONT SEAT-INFINITE ADJUST	63C	FUEL SYSTEM	103
FRONT SEAT-RECLINING	59A	FUEL SYSTEM	104
FRONT SEAT-VERTICALLY ADJUSTABLE	63	FUEL SYSTEM	109
FRONT SECTION FLOORBOARD	28	FUEL SYSTEM-SELECTABLE TANK	105
FRONT SECTION FLOORBOARD	27	FUEL TANK	13
FRONT SECTION FLOORBOARD	29	FUEL TANK DRAIN VALVE	13A
FRONT SECTION STRUCTURE	24	FUEL TANK SELECTOR COVER	105
FRONT SECTION STRUCTURE	25	FUEL TANK SELECTOR VALVE	105
FRONT SECTION STRUCTURE	28	FUEL TANK STRAINER	13
FUEL ACCUMULATOR TANK	103	FUEL TRANSMITTER	13
FUEL ACCUMULATOR TANK	104	FUEL VALVE	103
FUEL CAP	13	FUEL VALVE	105
FUEL DISTRIBUTOR	118	FUEL VALVE	111
FUEL DRAIN	109	FUEL VALVE CONTROL	105
FUEL DRAIN VALVE	103	FUEL VALVE CONTROL	104
FUEL DRAIN VALVE	110	FUEL VALVE HANDLE	103
FUEL FLOW GAGE	68	FUEL VALVE HANDLE	105
FUEL FLOW GAGE	68A	FUEL VALVE-DRAIN	105
FUEL FLOW GAGE	68B	FUEL VALVE-DRAIN	104
FUEL FLOW GAGE	68C	FUEL VENT LINE	109
FUEL FLOW LINE	74	FUEL VENT VALVE	13
FUEL GAGE	67	FULL FLOW OIL FILTER	115
FUEL GAGE	68	FULL FLOW OIL FILTER	113
FUEL GAGE	68A	FUSE HOLDER	121



ALPHABETICAL INDEX

NOMENCLATURE	FIGURE	NOMENCLATURE	FIGURE
G (cont)		H (Cont)	
GYRO-HORIZON	68A	HEAT SWITCH-PITOT	67
GYRO-HORIZON	68B	HEAT SWITCH-PITOT	68
GYRO-HORIZON	68C	HEAT SWITCH-PITOT	680
GYRO-HORIZON	116	HEAT SWITCH-PITOT	68E
GYRO-HORIZON	117	HEATED PITOT TUBE	101
GYRO-HORIZON	117A	HEATER DUCT-CABIN	89
GYRO-HORIZON	117B	HEATER-CABIN MANIFOLD	89
GYRO-HORIZON	117C	HEATER-PITOT	102
GYRO-HORIZON	134	HEATER-PITOT	101
GYRO-HORIZON	135	HINGE WINDOW	49
H		HINGE-AILERON	14
HANDLE ESCUTCHEON-DOOR	50	HINGE-AUXILIARY SEAT	66
HANDLE-AUXILIARY REFUELING	70B	HINGE-BAGGAGE DOOR	52
HANDLE-BAGGAGE DOOR PULL	58	HINGE-CABIN DOOR	49
HANDLE-BAGGAGE DOOR PULL	57	HINGE-CABIN DOOR	50
HANDLE-BAGGAGE DOOR PULL	57A	HINGE-CARGO PACK DOOR	129
HANDLE-DOOR	49	HINGE-COWL DOOR	73
HANDLE-DOOR	50	HINGE-COWL DOOR	73A
HANDLE-DOOR	50	HINGE-COWL FLAP	73
HANDLE-DOOR LATCH	51	HINGE-COWL FLAP	73A
HANDLE-FRONT SEAT ADJUSTMENT	63	HINGE-ELEVATOR	21
HANDLE-FRONT SEAT ADJUSTMENT	63C	HINGE-GLOVE BOX	69
HANDLE-FUEL SELECTOR VALVE	109	HINGE-MAP CASE	69
HANDLE-FUEL VALVE	103	HINGE-REAR SEAT BOTTOM	65
HANDLE-FUEL VALVE	105	HINGE-STABILIZER	19
HANDLE-PARKING BRAKE	90	HINGE-STABILIZER ACTUATOR	100
HANDLE-SEAT	59A	HOTSTING EYEBOLT	70
HANDLE-SEAT ADJUSTMENT	61	HOOK-COAT HANGER	53
HANDLE-SEAT ADJUSTMENT	61A	HOOK-SHOULDER HARNESS	70
HANDLE-SEAT ADJUSTMENT	62	HORIZON GYRO	67
HANGER HOOK-COAT	53	HORIZON GYRO	68
HARNESS HOOK-SHOULDER	70	HORIZON GYRO	68B
HARNESS-IGNITION	76A	HORIZON GYRO	68C
HARNESS-IGNITION	77B	HORIZON GYRO	116
HARNESS-SHOULDER	70	HORIZON GYRO	117
HEAD TEMPERATURE GAGE-CYLINDER	67	HORIZON GYRO	117A
HEAD TEMPERATURE GAGE-CYLINDER	68	HORIZON GYRO	117C
HEAD TEMPERATURE GAGE-CYLINDER	68A	HORIZON GYRO	134
HEAD TEMPERATURE GAGE-CYLINDER	68B	HORIZON GYRO	135
HEAD TEMPERATURE GAGE-CYLINDER	68C	HORN-STALL WARNING	68A
HEADLINER	53	HORN-STALL WARNING	69
HEADLINER WIRE	53	HORN-STALL WARNING	102B
HEADREST	60	HOSE-AIR INTAKE	77
HEADREST	63	HOSE-BRAKE	90
HEADREST	63C	HOSE-CARBURETOR HEAT	77
HEADREST	62	HOSE-DISCHARGE	117
HEADREST	64	HOSE-DISCHARGE	117A
HEADREST	64A	HOSE-FUEL	109
HEADREST	61	HOSE-FUEL PRESSURE	76
HEADREST	61A	HOSE-FUEL PRESSURE	74
HEADREST	59	HOSE-OIL DILUTION	114
HEAT CONTROL-CABIN	67	HOSE-OIL FILTER	114
HEAT CONTROL-CABIN	68	HOSE-OIL PRESSURE	113
HEAT CONTROL-CABIN	68A	HOSE-OIL PRESSURE	76
HEAT CONTROL-CABIN	68B	HOSE-OIL PRESSURE	77
HEAT CONTROL-CABIN	68C	HOSE-OIL RETURN	116
HEAT CONTROL-CABIN	89	HOSE-OIL RETURN	117
HEAT CONTROL-CARBURETOR	67	HOSE-SUCTION	116
HEAT CONTROL-CARBURETOR	68A	HOSE-SUCTION	117
HEAT CONTROL-CARBURETOR	68B	HOSE-SUCTION	117A
HEAT CONTROL-CARBURETOR	68C	HOSE-SUCTION	136
HEAT CONTROL-CARBURETOR	75	HOSE-TACTAIR	134
HEAT DEFLECTOR-EXHAUST	76	HOSE-TACTAIR	135
HEAT DEFLECTOR-EXHAUST	77	HOSE-VENT	117
		HOSE-VENT	117A
		HOURMETER	68B
		HOURMETER	68C
		HOW TO ORDER INT PARTS	PAGE XII



ALPHABETICAL INDEX

NOMENCLATURE	FIGURE	NOMENCLATURE	FIGURE
K (Cont)		L (cont)	
KIT-SEAT ROLLER	63C	LEVER-FLAP	97
KNOB-SEAT ADJUSTMENT	60	LIGHT RHEOSTAT	68
KNOB-SEAT ADJUSTMENT	59	LIGHT SWITCH-MAP	123A
KNOB-SEAT HANDLE	61	LIGHT SWITCH-LANDING	67
KNOB-SEAT HANDLE	61A	LIGHT SWITCH-LANDING	68
KITS-SEE ACCESSORY KITS CATALOG		LIGHT SWITCH-LANDING	68D
KNBS	67	LIGHT SWITCH-LANDING	68E
KNBS	68	LIGHT-CHARGE INDICATOR	67
KNBS	68A	LIGHT-CHARGE INDICATOR	68
KNBS	68B	LIGHT-CONTROL WHEEL MAP	94B
KNBS	68C	LIGHT-DOME	123
KNBS	68D	LIGHT-FLASHING BEACON	124A
KNBS	68E	LIGHT-INSTRUMENT PANEL	123
L		LIGHT-LANDING	3
LANDING GEAR-CROSSWIND	40A	LIGHT-LANDING	125B
LANDING GEAR-CROSSWIND	41	LIGHT-NAVIGATION	3
LANDING GEAR-MAIN	40	LIGHT-NAVIGATION	3A
LANDING GEAR-MAIN	41	LIGHT-MAP	123A
LANDING GEAR SPRING-CROSSWIND	40A	LIGHT-OVERVOLTAGE	68B
LANDING GEAR SPRING-MAIN	40	LIGHT-OVERVOLTAGE	68C
LANDING GEAR TIRE	43	LIGHT-POST	68C
LANDING GEAR TIRE	43	LIGHT-SPOT	123A
LANDING GEAR WHEEL & BRAKE	43	LIGHT-STROBE	3
LANDING GEAR WHEEL & BRAKE	42	LIGHT-STROBE	3A
LANDING GEAR WHEEL & BRAKE	42A	LIGHT-TAIL	39
LANDING GEAR WHEEL & BRAKE	42B	LIGHTER KNOB	67
LANDING LIGHT INSTL-WING	3	LIGHTER KNOB	68
LANDING LIGHT INSTL-COWL	125B	LIGHTER KNOB	68A
LANDING LIGHT SWITCH	67	LIGHTER KNOB	68B
LANDING LIGHT SWITCH	68	LIGHTER KNOB	68C
LANDING LIGHT SWITCH	68D	LIGHTER-CIGAR	67
LANDING LIGHT SWITCH	68E	LIGHTER-CIGAR	68
LATCH STOP-DOOR	51	LIGHTER-CIGAR	68A
LATCH-BAGGAGE DOOR	52	LIGHTER-CIGAR	68B
LATCH-CABIN DOOR	49	LIGHTER-CIGAR	68C
LATCH-CABIN DOOR	50	LIGHTS RHEOSTAT	67
LATCH-CABIN DOOR	51	LIGHTS SWITCH-NAVIGATION	67
LATCH-CABIN DOOR	51A	LIGHTS SWITCH-NAVIGATION	68
LATCH-FLAP LEVER	97	LIGHTS SWITCH-NAVIGATION	68D
LATCH-LITTER DOOR	35B	LIGHTS SWITCH-NAVIGATION	68E
LATCH-REAR SEAT	64	LIGHTS-CABIN	123
LATCH-REAR SEAT	64A	LIGHTS-CABIN	122
LATCH-REAR SEAT BACK	66	LIGHTS-COURTESY	123
LEAD-CYLINDER HEAD TEMP. GAGE	67	LIMITATIONS PLACARD-OPERATIONAL	2
LEAD-CYLINDER HEAD TEMP. GAGE	68	LIMITATIONS PLACARD-OPERATIONAL	2A
LEAD-CYLINDER HEAD TEMP. GAGE	68A	LIMITATIONS PLACARD-OPERATIONAL	2B
LEAD-CYLINDER HEAD TEMP. GAGE	68B	LIMITATIONS PLACARD-OPERATIONAL	2C
LEAD-CYLINDER HEAD TEMP. GAGE	68C	LIMITATIONS PLACARD-OPERATIONAL	58
LEAD-THERMOCOUPLE-POWER ECONOMY	68A	LINE-BRAKE	41
LEAD-THERMOCOUPLE-POWER ECONOMY	68B	LINE-BRAKE	90
LEAD-THERMOCOUPLE-POWER ECONOMY	68C	LINE-ENGINE PUMP DRAIN	76
LEADING EDGE-WING	7	LINE-FUEL	108
LEADING EDGE-WING	8	LINE-FUEL	103
LEADING EDGE-WING	8A	LINE-FUEL	105
LENS-DOME LIGHT	123	LINE-FUEL	104
LENS-NAVIGATION LIGHT	3	LINE-FUEL	109
LENS-NAVIGATION LIGHT	3A	LINE-FUEL	107
LENS-TAIL LIGHT	39	LINE-FUEL FLOW	74
LETTERING-GLOVE BOX	69	LINE-FUEL VENT	109
LETTERING-SKYWAGON	2	LINE-MANIFOLD PRESSURE	75
LEVELER INSTALLATION-WING	95A	LINE-OIL	116
LEVER LATCH-FLAP	97	LINE-OIL	117
LEVER RATCHET-FLAP	97	LINE-OIL	117A
LEVER-COWL FLAP CONTROL	87	LINE-OIL PRESSURE	114
		LINE-OIL PRESSURE	113
		LINE-OIL PRESSURE	74
		LINE-OXYGEN	119
		LINE-OXYGEN	120

ALPHABETICAL INDEX

NOMENCLATURE	FIGURE	NOMENCLATURE	FIGURE
L (cont)		M (cont)	
LTNE-OXYGEN	120A	MICROPHONE JACK	67
LTNF-OXYGEN	120B	MICROPHONE JACK	68
LINF-OXYGEN	120C	MICROPHONE SWITCH	94B
LTNE-PITOT	102	MIDDLE SEAT-DIVIDED	65A
LINF-PITOT	101	MIXTURE CONTROL	67
LINF-PRIMER	118	MIXTURE CONTROL	68
LTNF-PRIMER	75	MIXTURE CONTROL	68A
LINF-PRIMER	77	MIXTURE CONTROL	68B
LINF-VENT	116	MIXTURE CONTROL	68C
LTNE-VENT	136	MIXTURE CONTROL	74
LNK-DUAL BRAKES	91	MIXTURE CONTROL	75
LNK-DUAL BRAKES	92	MIXTURE CONTROL BELL CRANK	78
LITTER DOOR INSTALLATION	35B	MOTOR-POWER SEAT	63B
LITTER DOOR ASSEMBLY	35B	MOTOR-ROTATING BEACON	124
LITTER DOOR LATCH	35B	MOUNT LUG-ENGINE	76
LOCK-BAGGAGE DOOR	52	MOUNT-COWL FLAP CONTROL	87
LOCK-CARGO PACK DOOR	129	MOUNT-ENGINE	76
LOCK-CONTROL	70	MOUNT-ENGINE	77
LOCK-IGNITION	68	MOUNT-ENGINE SHOCK	76
LOCK-IGNITION	68D	MOUNT-ENGINE SHOCK	77
LOCK-IGNITION	68E	MOUNT-ENGINE-FLOATPLANE	126
LOCK-TAILWHEEL	46B	MOUNT-ENGINE-FLOATPLANE	127
LUG-ENGINE MOUNT	76	MOUNT-ENGINE-AMPHIBIAN	128
M		MOUNT-SHOCK	67
M.A.A-NAMEPLATE	22	MOUNT-SHOCK	68
MAGNETIC CATCH-GLOVE BOX	69A	MOUNT-SHOCK	68A
MAGNETO	76A	MOUNT-SHOCK	68B
MAGNETO	77B	MOUNT-SHOCK	68C
MAIN GEAR WHEEL & BRAKE	43	MOUNT-SHOCK	68C
MAIN GEAR WHEEL & BRAKE-CROSSWIND	42B	MOUNTING BASE-TACTAIR	135
MAIN LANDING GEAR	41	MUFFLER SHROUD	83
MAIN LANDING GEAR	40	MUFFLER SHROUD	82
MAIN LANDING GEAR-CROSSWIND	40A	MUFFLER-ENGINE	83
MANIFOLD HEATER-CABIN	89	MUFFLER-ENGINE	82
MANIFOLD PRESSURE GAGE	67	N	
MANIFOLD PRESSURE GAGE	68	NAMEPLATE-M.A.A.	22
MANIFOLD PRESSURE GAGE	68A	NAVIGATION LIGHT FLASHER	122
MANIFOLD PRESSURE GAGE	68B	NAVIGATION LIGHT	3
MANIFOLD PRESSURE GAGE	68C	NAVIGATION LIGHT	3A
MANIFOLD PRESSURE GAGE	68C	NAVIGATION LIGHT DETECTOR	3
MANIFOLD PRESSURE LINE	75	NAVIGATION LIGHT DETECTOR	3A
MANIFOLD-OXYGEN	119	NAVIGATION LIGHTS SWITCH	67
MAP CASE	67	NAVIGATION LIGHTS SWITCH	68
MAP CASE	68	NAVIGATION LIGHTS SWITCH	68D
MAP CASE	69	NAVIGATION LIGHTS SWITCH	68E
MAP CASE DOOR	69	NET-BAGGAGE	70
MAP LIGHT	123A	NOSE CAP-COWL	73
MAP LIGHT SWITCH	123A	NOSE CAP-COWL	73A
MAP LIGHT-CONTROL WHEEL	94B	NUMERICAL INDEX	PAGE 341
MASK CASE-OXYGEN	119	O	
MASK-OXYGEN	119	OFF CENTER CAMERA PROVISIONS	133
MASK-OXYGEN	120	OIL COOLER BAFFLE	77
MASK-OXYGEN	120A	OIL COOLER BAFFLE-NON CONGEALING	77A
MASK-OXYGEN	120B	OIL COOLER-ENGINE	76
MASK-OXYGEN	120C	OIL COOLER-ENGINE	76A
MASTER CYLINDER-BRAKE	90	OIL COOLER-ENGINE	77B
MASTER CYLINDER-BRAKE	91	OIL COOLER-LARGE	77
MASTER CYLINDER-BRAKE	92	OIL COOLER-NON CONGEALING	77A
MASTER CYLINDER-BRAKE	93	OIL DILUTION	114
MASTER SWITCH	67	OIL DILUTION SWITCH	67
MASTER SWITCH	68	OIL DILUTION SWITCH	68
MASTER SWITCH	68D		
MASTER SWITCH	68E		
MEDALLION-ANNIVERSARY MODEL	2		
METERING UNIT-FUEL	76A		

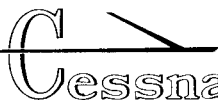


ALPHABETICAL INDEX

NOMENCLATURE	FIGURE	NOMENCLATURE	FIGURE
O (cont)		O (Cont)	
OIL DILUTION SWITCH.	68D	OXYGEN LINE.	120A
OIL DILUTION SWITCH.	68E	OXYGEN LINE.	120B
OIL DILUTION SWITCH.	113	OXYGEN LINE.	120C
OIL DILUTION SWITCH.	114	OXYGEN MANIFOLD.	119
OIL DILUTION SYSTEM.	113	OXYGEN MASK.	119
OIL DIP STICK.	76	OXYGEN MASK.	120
OIL DOOR-COWL.	73	OXYGEN MASK.	120A
OIL FILTER.	114	OXYGEN MASK.	120B
OIL FILTER ELEMENT.	113	OXYGEN MASK.	120C
OIL FILTER ELEMENT.	113A	OXYGEN MASK CASE.	119
OIL FILTER HOSE.	114	OXYGEN PRESSURE GAGE.	119
OIL FILTER-FULL FLOW.	113	OXYGEN PRESSURE GAGE.	120A
OIL FILTER-FULL FLOW.	113A	OXYGEN PRESSURE GAGE.	120B
OIL FILTER-FULL FLOW.	115	OXYGEN PRESSURE GAGE.	120C
OIL PRESSURE GAGE.	67	OXYGEN REGULATOR.	119
OIL PRESSURE GAGE.	68	OXYGEN REGULATOR.	120A
OIL PRESSURE GAGE.	68A	OXYGEN REGULATOR.	120B
OIL PRESSURE GAGE.	68B	OXYGEN REGULATOR.	120C
OIL PRESSURE GAGE.	68C	OXYGEN SYSTEM.	119
OIL PRESSURE GAGE.	113	OXYGEN SYSTEM.	120
OIL PRESSURE GAGE.	114	OXYGEN SYSTEM.	120A
OIL PRESSURE HOSE.	76	OXYGEN SYSTEM.	120B
OIL PRESSURE HOSE.	77	OXYGEN SYSTEM.	120C
OIL PRESSURE LINE.	74	OXYGEN VALVE.	119
OIL PRESSURE LINE.	113	OXYGEN VALVE.	120
OIL PRESSURE LINE.	114	OXYGEN VALVE.	120A
OIL RETURN HOSE.	116	OXYGEN VALVE.	120B
OIL RETURN HOSE.	117	OXYGEN VALVE.	120C
OIL RETURN HOSE.	117A		
OIL SEPARATOR.	116	P	
OIL SEPARATOR.	117	PAD-ENGINE MOUNT.	75
OIL SEPARATOR.	117A	PAIN CHART.	PAGE III
OIL SEPARATOR.	117C	PANEL COVER-SHOCK.	67
OIL SEPARATOR.	136	PANEL COVER-SHOCK.	68
OIL SUMP DRAIN INSTALLATION.	76	PANEL COVER-SHOCK.	68A
OIL SYSTEM.	114	PANEL COVER-SHOCK.	68B
OIL SYSTEM.	113	PANEL COVER-SHOCK.	68C
OIL TEMPERATURE ADAPTER.	74	PANEL EQUIPMENT-INSTRUMENT.	67
OIL TEMPERATURE GAGE.	67	PANEL EQUIPMENT-INSTRUMENT.	68
OIL TEMPERATURE GAGE.	68	PANEL EQUIPMENT-INSTRUMENT.	68A
OIL TEMPERATURE GAGE.	68A	PANEL EQUIPMENT-INSTRUMENT.	68B
OIL TEMPERATURE GAGE.	68B	PANEL EQUIPMENT-INSTRUMENT.	68C
OIL TEMPERATURE GAGE.	68C	PANEL-SHOCK MOUNTED INSTRUMENT.	68
OIL TEMPERATURE GAGE.	113	PANEL-SHOCK MOUNTED INSTRUMENT.	68A
OIL TEMPERATURE GAGE.	114	PANEL-SHOCK MOUNTED INSTRUMENT.	68B
OIL VALVE-QUICK DRAIN.	77	PANEL-SHOCK MOUNTED INSTRUMENT.	68C
OPERATIONAL LIMITATIONS PLACARD.	2	PANEL-STATIONARY INSTRUMENT.	28
OPERATIONAL LIMITATIONS PLACARD.	2A	PANEL-STATIONARY INSTRUMENT.	29
OPERATIONAL LIMITATIONS PLACARD.	2B	PANEL-STATIONARY INSTRUMENT.	67
OPERATIONAL LIMITATIONS PLACARD.	2C	PANEL-STATIONARY INSTRUMENT.	68
OPERATIONAL LIMITATIONS PLACARD.	58	PANEL-STATIONARY INSTRUMENT.	68A
OUTLET-DEFROST.	89	PANEL-STATIONARY INSTRUMENT.	68B
OUTSIDE AIR TEMP. GAGE.	70	PANEL-STATIONARY INSTRUMENT.	68C
OVERVOLTAGE LIGHT.	68B	PARKING BRAKE.	90
OVERVOLTAGE LIGHT.	68C	PARKING BRAKE BELLCRANK.	90
OVERVOLTAGE SENSOR.	68B	PARKING BRAKE HANDLE.	90
OVERVOLTAGE SENSOR.	68C	PARKING BRAKE SPRING.	90
OXYGEN CONTROL PANEL.	120A	PAWL-TAILWHEEL.	48
OXYGEN CONTROL PANEL.	120B	PAWL-TAILWHEEL.	47
OXYGEN CONTROL PANEL.	120C	PAWL-TAILWHEEL.	48A
OXYGEN CYLINDER.	119	PAWL-TAILWHEEL.	48B
OXYGEN CYLINDER.	120	PEDAL CONTROL BELLCRANK.	91
OXYGEN CYLINDER.	120A	PEDAL CONTROL BELLCRANK.	92
OXYGEN CYLINDER.	120B	PEDAL DUAL CONTROL-RUDDER.	91
OXYGEN CYLINDER.	120C	PEDAL DUAL CONTROL.	92
OXYGEN FILLER VALVE.	120		
OXYGEN LINE.	119		
OXYGEN LINE.	120		

ALPHABETICAL INDEX

NOMENCLATURE	FIGURE	NOMENCLATURE	FIGURE
P (cont)		P (cont)	
PEDAL RETURN SPRING	91	PRESSURE GAGE-OXYGEN	119
PEDAL-BRAKE & RUDDER	91	PRESSURE GAGE-OXYGEN	120A
PEDAL-BRAKE & RUDDER	92	PRESSURE GAGE-OXYGEN	120B
PIPE-EXHAUST	82	PRESSURE GAGE-OXYGEN	120C
PISTON-MASTER CYLINDER	93	PRESSURE HOSE-FUEL	76
PISTON-PROPELLER	72	PRESSURE HOSE-OIL	76
PISTON-PROPELLER	72A	PRESSURE HOSE-OIL	77
PISTON-PROPELLER	72B	PRESSURE LINE-OIL	114
PISTON-PROPELLER	72C	PRESSURE LINE-OIL	113
PITCH CONTROL-PROPELLER	67	PRIMER LINE	77
PITOT HEAT SWITCH	67	PRIMER LINE	106
PITOT HEAT SWITCH	68	PRIMER SYSTEM-FUEL	118
PITOT HEAT SWITCH	68D	PRIMER SYSTEM-FUEL	118A
PITOT HEAT SWITCH	68E	PRIMER-ENGINE	67
PITOT HEAT SWITCH	101	PRIMER-ENGINE	68A
PITOT HEATER	102	PRIMER-ENGINE	68B
PITOT HEATER	101	PRIMER-ENGINE	68C
PITOT LINE	102	PRIMER-ENGINE	118A
PITOT LINE	101	PROBE-POWER ECONOMY INDICATOR	74
PITOT STATIC SOURCE SUMP	102	PROBE-POWER ECONOMY INDICATOR	75
PITOT SYSTEM	102	PROPELLER	71
PITOT SYSTEM	101	PROPELLER	72
PITOT TUBE	102	PROPELLER	72A
PITOT TUBE	101	PROPELLER	72B
PITOT TUBE	4	PROPELLER	72C
PITOT TUBE-HEATED	102	PROPELLER BLADE	72
PITOT TUBE-HEATED	101	PROPELLER BLADE	72A
PLACARD-FUEL SELECT	56	PROPELLER BLADE	72B
PLACARD-OPERATIONAL LIMITATIONS	2	PROPELLER BLADE	72C
PLACARD-OPERATIONAL LIMITATIONS	2A	PROPELLER CONTROL	74
PLACARD-OPERATIONAL LIMITATIONS	2B	PROPELLER CONTROL	75
PLACARD-OPERATIONAL LIMITATIONS	2C	PROPELLER GOVERNOR	76
PLACARD-OPERATIONAL LIMITATIONS	58	PROPELLER GOVERNOR	77
PLACARD & NAMEPLATES	2	PROPELLER GOVERNOR	79
PLACARD & NAMEPLATES	2A	PROPELLER GOVERNOR	79A
PLACARD & NAMEPLATES	2B	PROPELLER GOVERNOR	81A
PLACARD & NAMEPLATES	2C	PROPELLER GOVERNOR	81C
PLATE-REGISTRATION NUMBER	67	PROPELLER GOVERNOR	81D
PLATE-REGISTRATION NUMBER	68	PROPELLER GOVERNOR-HOOF	80
PLUG-SPARK	76A	PROPELLER GOVERNOR-GARWIN	81
PLUG-SPARK	77B	PROPELLER GOVERNOR-GARWIN	81B
POINT-JACK	70	PROPELLER PITCH CONTROL	67
POINTER-STABILIZER TRIM	100	PROPELLER PITCH CONTROL	68
POSITIONING RACK-PARKING BRAKE	90	PROPELLER PITCH CONTROL	68A
POST LIGHT-INSTRUMENT	68C	PROPELLER PITCH CONTROL	68B
POWER ECONOMY INDICATOR	68	PROPELLER PITCH CONTROL	68C
POWER ECONOMY INDICATOR	68A	PROPELLER PITCH CONTROL	68C
POWER ECONOMY INDICATOR	68B	PROPELLER SPINNER	71
POWER ECONOMY INDICATOR	68C	PROPELLER WEIGHT	72
POWER ECONOMY-INDICATOR PROBE	74	PROPELLER WEIGHT	72A
POWER ECONOMY-INDICATOR PROBE	75	PULL-DOOR	54
POWER SEAT	63A	PUMP COOLING SCOOP	73
POWER SEAT BOTTOM	63B	PUMP COOLING SCOOP	73A
POWER SEAT SWITCH	63A	PUMP DRAIN LINE-ENGINE	76
POWER SEAT MOTOR	63B	PUMP-AUXILIARY FUEL	108
POWER SUPPLY-STROBE LIGHT	3	PUMP-AUXILIARY FUEL	103
POWER SUPPLY-STROBE LIGHT	3A	PUMP-AUXILIARY FUEL	105
PRESSURE GAGE-MANIFOLD	68	PUMP-AUXILIARY FUEL	104
PRESSURE GAGE-MANIFOLD	68A	PUMP-AUXILIARY FUEL	107
PRESSURE GAGE-MANIFOLD	68B	PUMP-VACUUM	116
PRESSURE GAGE-MANIFOLD	68C	PUMP-VACUUM	117
PRESSURE GAGE-OIL	67	PUMP-VACUUM	136
PRESSURE GAGE-OIL	68	PUMP-VACUUM	117A
PRESSURE GAGE-OIL	68A	PUMP-VACUUM	117D
PRESSURE GAGE-OIL	68B	PUSH-PULL ROD-AILERON	14
PRESSURE GAGE-OIL	68C	PYLON-ELEVATOR	21
PRESSURE GAGE-OIL	113		
PRESSURE GAGE-OIL	114		



ALPHABETICAL INDEX

NOMENCLATURE	FIGURE	NOMENCLATURE	FIGURE
R		R (cont)	
RACK-PARKING BRAKE POSITIONING	90	ROLLER-SEAT	62
RADIO COVER	68A	ROLLER-SEAT	61
RADIO COVER	68B	ROLLER-SEAT	61A
RADIO COVER	68C	ROLLER-SEAT	59
RAIL-SEAT	22	ROTATING BEACON	121
RAIL-SEAT	23	ROTATING BEACON	122
RATCHET-FLAP LEVER	97	ROTATING BEACON	124
REAR CABIN TOP	26	ROTATING BEACON ADAPTER	24
REAR SEAT	64	ROTATING BEACON SOCKET	124
REAR SEAT BACK	64	ROTATING BEACON SWITCH	67
REAR SEAT LATCH	64	ROTATING BEACON SWITCH	68
REAR SPAR-FUSELAGE	32	ROTATING BEACON SWITCH	124
REAR SPAR-FUSELAGE	32A	RUDDER	20
REAR STOWABLE SEAT	65	RUDDER BALANCE WEIGHT	20
REAR WINDOW	26	RUDDER BAR	91
RECEIVER-ASH	60	RUDDER BAR	92
RECEIVER-ASH	63A	RUDDER BAR BEARING	91
RECEPTACLE-ASH	58	RUDDER BAR BEARING	92
RECEPTACLE-ASH	57	RUDDER BAR SHIELD	55
RECEPTACLE-ASH	57A	RUDDER BAR SHIELD	56
RECEPTACLE-EXTERNAL POWER	125	RUDDER BELLCRANK	20
RECEPTACLE-EXTERNAL POWER	125A	RUDDER BUNGFEE	98
RECLINING FRONT SEAT	59A	RUDDER CONTROL SYSTEM	98
REFUELING EQUIPMENT INSTL	70B	RUDDER CONTROL CABLE	98
REFLECTOR-DOME LIGHT	123	RUDDER CONTROL SYSTEM	99
REGISTRATION NUMBER PLATE	67	RUDDER CONTROL CABLE	99
REGISTRATION NUMBER PLATE	68	RUDDER PEDAL	91
REGULATOR-OXYGEN	119	RUDDER PEDAL	92
REGULATOR-OXYGEN	120A	RUDDER PEDAL DUAL CONTROL	91
REGULATOR-OXYGEN	120B	RUDDER PEDAL DUAL CONTROL	92
REGULATOR-OXYGEN	120C	RUDDER PEDAL-DISENGAGING	92
REGULATOR-VOLTAGE	76A	RUDDER RIB	20
REGULATOR-VOLTAGE	77B	RUDDER SPAR	20
REGULATOR-VOLTAGE	121	RUDDER TAB	20
REGULATOR-VOLTAGE	122	RUDDER TIP	20
RELIEF VALVE-SUCTION	116	RUDDER TRIM INSTALLATION	99A
RELIEF VALVE-SUCTION	117	RUDDER TRIM WHEEL	98
RELIEF VALVE-SUCTION	117A	RUDDER TRIM WHEEL	99A
RELIEF VALVE-SUCTION	117D	RUDDER TRIM WHEEL COVER	55
RELIEF VALVE-SUCTION	136	RUDDER TRIM WHEEL COVER	56
RESISTOR-FUEL PUMP	108	RUDDER TRIM WHEEL COVER	98
RESISTOR-FUEL PUMP	121	RUDDER TRIM WHEEL COVER	99A
RETAINER CORRECTION CARD	67	RUG-GLOVE BOX & MAPCASE	69
RETAINER CORRECTION CARD	68		
RETAINER CORRECTION CARD	68A	S	
RETAINER CORRECTION CARD	68B	SAMPLER CUP-FUEL	13A
RETAINER-WINDSHIELD	31	SAMPLER VALVE-FUEL	13A
RETAINER-WINDOW	26	SCOOP-CABIN AIR VENT	7
RHEOSTAT-LIGHTS	67	SCOOP-CABIN AIR VENT	8
RHEOSTAT-LIGHT	68	SCOOP-CABIN AIR VENT	8A
RHEOSTAT-MAP LIGHT	94B	SCOOP-PUMP COOLING	73
RIB-DORSAL	18	SCOOP-PUMP COOLING	73A
RIB-DORSAL	17	SCUFF PLATE-BAGGAGE COMPARTMENT	58
RIB-RUDDER	20	SCUFF PLATE-BAGGAGE COMPARTMENT	57
RIB-STABILIZER	19	SCUFF PLATE-BAGGAGE COMPARTMENT	57A
RIB-WING	4	SEAL-BAGGAGE DOOR	52
RIB-WING	6	SEAL-CAMERA CUT-OUT	133
RIB-WING	6A	SEAL-DOOR	49
RIB-WING	5	SEAL-DOOR	50
RING-TIE DOWN	70	SEAL-LITTER DOOR	35B
ROD END-THROTTLE CONTROL	75	SEAL-WINDOW	49
ROD-AILERON PUSH-PULL	95	SEALS-FLOATPLANE CARGO PACK	129
ROLLER-FLAP	15	SEAT ADJUSTMENT KNOB	60
ROLLER-FRONT SEAT	63	SEAT ADJUSTMENT KNOB	59
ROLLER-FRONT SEAT	63C		
ROLLER-SEAT	59A		
ROLLER-SEAT	60		

ALPHABETICAL INDEX

NOMENCLATURE	FIGURE	NOMENCLATURE	FIGURE
S (cont)		S (cont)	
SFAT ASH TRAY.	63	SEAT-CAMERA.	131
SFAT ASH TRAY.	63C	SEAT-CAMERA.	132
SEAT BACK.	59	SFAT-CHILD.	65B
SEAT BACK ACTUATOR-POWER.	63A	SEAT-DIVIDED MIDDLE.	65A
SEAT BACK LATCH.	66	SEAT-FRONT.	60
SFAT BACK-FRONT.	59	SEAT-FRONT.	59
SEAT BACK-FRONT.	59A	SEAT-INFINITE ADJUST.	63C
SEAT BACK-FRONT.	60	SEAT-POWER.	63A
SFAT BACK-FRONT.	61	SEAT-REAR.	64
SFAT BACK-FRONT.	61A	SEAT-REAR.	64A
SFAT BACK-FRONT.	63C	SEAT-RECLINING FRONT.	61
SEAT BACK-REAR.	64	SEAT-RECLINING FRONT.	61A
SEAT BACK-REAR.	64A	SEAT-STOWABLE REAR.	65
SFAT BELT.	60	SEAT-VERTICALLY ADJUSTABLE FRONT.	63
SFAT BELT.	61	SELECTOR VALVE-FUEL TANK.	105
SFAT BELT.	61A	SELECTOR VALVE-FUEL.	112
SFAT BELT.	65	SELECTOR VALVE-FUEL.	109
SFAT BELT.	65B	SENSITIVITY ADJUSTER-TACTAIR.	135
SEAT BELT.	66	SENSOR-OVERVOLTAGE.	68B
SEAT BELT.	63	SENSOR-OVERVOLTAGE.	68C
SEAT BELT.	63C	SEPARATOR-OIL.	116
SEAT BELT.	64	SEPARATOR-OIL.	117
SEAT BELT.	64A	SEPARATOR-OIL.	117A
SEAT BELT.	59	SEPARATOR-OIL.	117D
SFAT BELT-STRETCHER.	130	SEPARATOR-OIL.	136
SFAT BOTTOM-POWER.	63B	SERVO-AILERON-TACTAIR.	134
SEAT FRAME-DIVIDED MIDDLE.	65A	SERVO-AILERON-TACTAIR.	135
SEAT FRAME-FRONT.	63	SERVO-ELEVATOR-TACTAIR.	134
SFAT HANDLE.	59	SERVO-WING LEVELER.	95A
SEAT HANDLE.	59A	SHAFT-DOOR LATCH.	51
SFAT HANDLE.	60	SHAFT-TACHOMETER.	67
SEAT HANDLE.	61	SHAFT-TACHOMETER.	68
SFAT HANDLE.	61A	SHAFT-TACHOMETER.	68A
SFAT HANDLE KNOB.	59	SHAFT-TACHOMETER.	68B
SEAT HANDLE KNOB.	59A	SHAFT-TACHOMETER.	68C
SFAT HANDLE KNOB.	60	SHELF-BAGGAGE.	58
SEAT HANDLE KNOB.	61	SHELF-BAGGAGE.	57
SEAT HANDLE KNOB.	61A	SHELF-BAGGAGE.	57A
SFAT HANDLE-FRONT ADJUSTMENT.	63	SHIELD-AUXILIARY PUMP.	107
SFAT HANDLE-FRONT ADJUSTMENT.	63C	SHIELD-CONTROL TEE.	56
SEAT LATCH-REAR.	64	SHIELD-FUEL PUMP.	108
SEAT LATCH-REAR.	64A	SHIELD-RUDDER BAR.	56
SEAT RAIL.	22	SHIELD-RUDDER BAR.	55
SEAT RAIL.	23	SHIM-MAIN LANDING GEAR.	41
SFAT ROLLER.	59	SHIM-MAIN LANDING GEAR.	40
SFAT ROLLER.	59A	SHOCK MOUNT.	67
SEAT ROLLER.	61	SHOCK MOUNT.	68
SFAT ROLLER.	61A	SHOCK MOUNT.	68A
SEAT ROLLER.	62	SHOCK MOUNT.	68B
SFAT ROLLER KIT.	60	SHOCK MOUNT.	68C
SFAT ROLLER KIT.	63	SHOCK MOUNT-ENGINE.	76
SEAT ROLLER KIT.	63C	SHOCK MOUNT-ENGINE.	77
SFAT STOP.	59	SHOCK MOUNTED ALTERNATOR.	123B
SEAT STOP.	59A	SHOCK MOUNTED INSTRUMENT PANEL.	67
SFAT STOP.	60	SHOCK MOUNTED INSTRUMENT PANEL.	68
SFAT STOP.	61	SHOCK MOUNTED INSTRUMENT PANEL.	68A
SFAT STOP.	61A	SHOCK MOUNTED INSTRUMENT PANEL.	68B
SFAT STOP.	62	SHOCK MOUNTED INSTRUMENT PANEL.	68C
SFAT STOP.	63	SHOCK PANEL COVER.	67
SFAT STOP.	63C	SHOCK PANEL COVER.	68
SEAT STOP.	63A	SHOCK PANEL COVER.	68A
SFAT-ADJUSTABLE FRONT.	59	SHOCK PANEL COVER.	68B
SFAT-ADJUSTABLE FRONT.	59A	SHOCK PANEL COVER.	68C
SFAT-ADJUSTABLE FRONT.	60	SHOULDER HARNESS.	70
SEAT-ADJUSTABLE FRONT.	61	SHROUD-MUFFLER.	83
SEAT-ADJUSTABLE FRONT.	61A	SHROUD-MUFFLER.	82
SFAT-ADJUSTABLE FRONT.	62	SHUT OFF VALVE-TACTAIR.	134
SFAT-AUXILIARY.	66	SILENCER-REAR AIR VENT.	88A

ALPHABETICAL INDEX

NOMENCLATURE	FIGURE	NOMENCLATURE	FIGURE
S (cont)		S (Cont)	
STILL-DOOR	24	STACK-EXHAUST	76
STILL-DOOR	25	STACK-EXHAUST	77
SKINS & STRINGERS-WING	11	STACKS-ENGINE EXHAUST	83
SKINS & STRINGERS-WING	12	STACKS-ENGINE EXHAUST	82
SKINS & STRINGERS-WING	12A	STALL WARNING UNIT-WING	3
SKYWAGON LETTERING	2	STALL WARNING HORN	68A
SLIDE-TIE DOWN	70	STALL WARNING HORN	69
SOCKET-CONTROL TUBE	67	STALL WARNING HORN INSTL	102B
SOCKET-CONTROL TUBE	68	STARTER	76A
SOCKET-DOME LIGHT	123	STARTER	77B
SOCKET-FLASHING BEACON	124A	STARTER & LOCK	67
SOCKET-INSTRUMENT PANEL LIGHT	123	STARTER CIRCUIT SWITCH	68
SOCKET-ROTATING BEACON	124	STARTER SWITCH	68
SOLENOID VALVE	114	STARTER SWITCH	680
SOLENOID VALVE	113	STARTER SWITCH	68E
SOLENOID VALVE	107	STARTING VIBRATOR	121
SOUNDPROOFING-COWL DECK	53	STATIC DISCHARGER	14
SOUNDPROOFING-DOOR	54	STATIC DISCHARGER	20
SOUNDPROOFING-FLOOR	55	STATIC DISCHARGER	21
SPAR BEARING BLOCK	30	STATIC SOURCE-ALTERNATE	101
SPAR BEARING BLOCK	32	STATIC SOURCE-ALTERNATE	102
SPAR BEARING BLOCK	32A	STATIC SOURCE-ALTERNATE	102A
SPAR-AILERON	14	STATIC SOURCE SUMP	101
SPAR-ELEVATOR	21	STATIC SOURCE SUMP	102
SPAR-FIN	18	STATIONARY INSTRUMENT PANEL	28
SPAR-FIN	17	STATIONARY INSTRUMENT PANEL	29
SPAR-FUSELAGE REAR	32	STATIONARY INSTRUMENT PANEL	67
SPAR-FUSELAGE REAR	32A	STATIONARY INSTRUMENT PANEL	68
SPAR-FUSELAGE FORWARD	30	STATIONARY INSTRUMENT PANEL	68A
SPAR-RUDDER	20	STATIONARY INSTRUMENT PANEL	68B
SPAR-STABILIZER	19	STATIONARY INSTRUMENT PANEL	68C
SPAR-WING	9	STATIONARY INSTRUMENT PANEL COVER	68
SPAR-WING	10	STATIONARY INSTRUMENT PANEL COVER	68A
SPAR-WING	10A	STATIONARY INSTRUMENT PANEL COVER	68B
SPARK PLUG	76A	STATIONARY INSTRUMENT PANEL COVER	68C
SPARK PLUG	77B	STATIONARY PANEL-FLOATPLANE	126
SPEED INDICATOR-VERTICAL	102	STENCILS-EXTERIOR MARKINGS	28
SPEED INDICATOR-VERTICAL	101	STEP-AUXILIARY REFUELING	70B
SPEED INDICATOR-VERTICAL	67	STEP-CABIN	22
SPEED INDICATOR-VERTICAL	68	STEP-CABIN	23
SPINNER BULKHEAD	71	STEP-FLOATPLANE	127
SPINNER DOME	71	STINGER	39
SPINNER-PROPELLER	71	STOP-CABIN DOOR	50
SPOTLIGHT	123	STOP-COWL FLAP-AMPHIBIAN	128
SPRING-CROSSWIND GEAR	40A	STOP-DOOR	49
SPRING-LANDING GEAR MAIN	40	STOP-DOOR LATCH	51
SPRING-MAIN LANDING GEAR	41	STOP-ELEVATOR	38
SPRING-PARKING BRAKE	90	STOP-SEAT	59
SPRING-PEDAL RETURN	91	STOP-SEAT	59A
SPROCKET-AILERON CHAIN	94	STOP-SEAT	60
SPROCKET-TRIM CHAIN	100	STOP-SEAT	61
STABILIZER	19	STOP-SEAT	61A
STABILIZER ACTUATOR	100	STOP-SEAT	62
STABILIZER ACTUATOR HINGE	100	STOP-SEAT	63
STABILIZER STOP	17	STOP-SEAT	63C
STABILIZER STOP	18	STOP-SEAT	63A
STABILIZER HINGE	19	STOP-STABILIZER	17
STABILIZER RIB	19	STOP-STABILIZER	18
STABILIZER SPAR	19	STOWABLE SEAT	65
STABILIZER TIP	19	STRAINER DRAIN CONTROL-FUEL	67
STABILIZER TRIM CONTROL SYSTEM	100	STRAINER DRAIN CONTROL-FUEL	68
STABILIZER TRIM WHEEL	100	STRAINER DRAIN CONTROL-FUEL	68A
STABILIZER TRIM WHEEL	100A	STRAINER DRAIN CONTROL-FUEL	74
STABILIZER TRIM WHEEL COVER	100	STRAINER DRAIN CONTROL-FUEL	75
STABILIZER TRIM CHAIN	100	STRAINER DRAIN CONTROL-FUEL	109
STABILIZER TRIM CHAIN SPROCKET	100	STRAINER DRAIN CONTROL-FUEL	110
STABILIZER TRIM CHAIN SPROCKET	100A	STRAINER-FUEL	103
STABILIZER TRIM CONTROL CABLE	100	STRATNER-FUEL	104

ALPHABETICAL INDEX

NOMENCLATURE	FIGURE	NOMENCLATURE	FIGURE
S (cont)		S (Cont)	
STRAINER-FUEL	105	SWITCH-FLASHING BEACON	68D
STRAINER-FUEL	107	SWITCH-FLASHING BEACON	68E
STRAINER-FUEL	108	SWITCH-FUEL PUMP	68D
STRAINER-FUEL	109	SWITCH-FUEL PUMP	68E
STRAINER-FUEL	110	SWITCH-IGNITION	68D
STRAINER-FUEL	110A	SWITCH-IGNITION	68E
STRAINER-FUEL TANK	13	SWITCH-INSTRUMENT PANEL LIGHT	123
STRAP BONDING	77	SWITCH-LANDING LIGHT	67
STRAP-BONDING	76	SWITCH-LANDING LIGHT	68
STRAP-GROUND	75	SWITCH-LANDING LIGHT	68D
STRETCHER	130	SWITCH-LANDING LIGHT	68E
STRIKE PLATE-DOOR LATCH	32	SWITCH-MAP LIGHT	123A
STRIKE PLATE-BAGGAGE DOOR	52	SWITCH-MASTER	67
STRIKE PLATE-LITTER DOOR	35B	SWITCH-MASTER	68
STRINGERS & SKINS-WING	11	SWITCH-MASTER	68D
STRINGERS & SKINS-WING	12	SWITCH-MASTER	68E
STRINGERS & SKINS-WING	12A	SWITCH-MICROPHONE	94B
STROBE LIGHT	3	SWITCH-NAVIGATION LIGHTS	67
STROBE LIGHT	3A	SWITCH-NAVIGATION LIGHTS	68
STROBE LIGHT POWER SUPPLY	3	SWITCH-NAVIGATION LIGHTS	68D
STROBE LIGHT POWER SUPPLY	3A	SWITCH-NAVIGATION LIGHTS	68E
STRUCTURE-CABIN DOOR LH	49	SWITCH-OIL DILUTION	67
STRUCTURE-CABIN DOOR RH	50	SWITCH-OIL DILUTION	68
STRUCTURE-FRONT SECTION	28	SWITCH-OIL DILUTION	68D
STRUCTURE-FRONT SECTION	24	SWITCH-OIL DILUTION	68E
STRUCTURE-FRONT SECTION	29	SWITCH-OIL DILUTION	113
STRUCTURE-FRONT SECTION	25	SWITCH-OIL DILUTION	114
STRUCTURE-WING	4	SWITCH-PITOT HEAT	67
STRUCTURE-WING	5	SWITCH-PITOT HEAT	68
STRUCTURE-WING	5A	SWITCH-PITOT HEAT	68D
STRUCTURE-WING EXTENDED RANGE	6	SWITCH-PITOT HEAT	68E
STRUCTURE-WING EXTENDED RANGE	6A	SWITCH-PITOT HEAT	102
STRUT FAIRING-WING	16	SWITCH-PITOT HEATER	101
STRUT FITTING-WING	16	SWITCH-POWER SEAT	63A
STRUT-WING	16	SWITCH-ROTATING BEACON	67
SUCTION GAGE	67	SWITCH-ROTATING BEACON	68
SUCTION GAGE	68	SWITCH-ROTATING BEACON	124
SUCTION GAGE	68A	SWITCH-STARTER & LOCK	67
SUCTION GAGE	68B	SWITCH-STARTER & LOCK	68
SUCTION GAGE	68C	SWITCH-STARTER & LOCK	68D
SUCTION GAGE	95B	SWITCH-STARTER & LOCK	68E
SUCTION GAGE	116	SWITCH-STARTER CIRCUIT	68
SUCTION GAGE	117	SWITCH-THROTTLE	105
SUCTION GAGE	117A	SWITCH-THROTTLE	74
SUCTION GAGE	117B	SWITCH-VACUUM PRESS TO TEST	67
SUCTION GAGE	117C	SWITCH-VACUUM PRESS TO TEST	68
SUCTION GAGE	134	SYSTEM-AILERON CONTROL	95
SUCTION GAGE	135	SYSTEM-ELEVATOR CONTROL	96
SUCTION HOSE	116	SYSTEM-FLAP CONTROL	97
SUCTION HOSE	117	SYSTEM-FUEL	103
SUCTION HOSE	136	SYSTEM-FUEL	104
SUCTION HOSE	117A	SYSTEM-FUEL	109
SUCTION RELIEF VALVE	116	SYSTEM-FUEL PRIMER	118
SUCTION RELIEF VALVE	117	SYSTEM-FUEL PRIMER	118A
SUCTION RELIEF VALVE	117A	SYSTEM-OIL	113
SUCTION RELIEF VALVE	117A	SYSTEM-OIL	114
SUCTION RELIEF VALVE	117D	SYSTEM-OIL DILUTION	113
SUCTION RELIEF VALVE	136	SYSTEM-OXYGEN	119
SUMP INSTALLATION-OIL DRAIN	76	SYSTEM-OXYGEN	120
SUMP-PITOT STATIC SOURCE	102	SYSTEM-PITOT	102
SUMP-PITOT STATIC SOURCE	101	SYSTEM-PITOT	101
SUN VISOR	70	SYSTEM-PIVOT	98
SUPPORT-CONTROL TUBE	68A	SYSTEM-PIVOT	99
SUPPORT-CONTROL TUBE	68B	SYSTEM-SELECTABLE TANK FUEL	105
SUPPORT-CONTROL TUBE	68C	SYSTEM-STABILIZER TRIM CONTROL	100
SWITCH & CIRCUIT BREAKER INSTL	68D	SYSTEM-TACTAIR VACUUM	136
SWITCH & CIRCUIT BREAKER INSTL	68E	SYSTEM-VACUUM	76
SWITCH-AUXILIARY FUEL	67	SYSTEM-VACUUM	77
SWITCH-AUXILIARY FUEL	68		

ALPHABETICAL INDEX

NOMENCLATURE	FIGURE	NOMENCLATURE	FIGURE
S (Cont)		T (Cont)	
SYSTEM-VACUUM	116	TAILWHEEL STEERING BELLCRANK	99
SYSTEM-VACUUM	117	TAILWHEEL TIRE	48
SYSTEM-VACUUM	117A	TAILWHEEL TIRE	48A
SYSTEM-VACUUM	117B	TAILWHEEL TIRE	488
SYSTEM-VACUUM	117C	TAILWHEEL TUBE	48
SYSTEM-VACUUM-FWD OF FIREWALL	117D	TAILWHEEL TUBE	48A
SYSTEM-WING LEVELER	95A	TAILWHEEL TURE	488
T		TAILWHEEL-ANTI-SWIVEL	46
T-2 TACTAIR AUTO PILOT	135	TANK SELECTOR VALVE-FUEL	105
T-3 TACTAIR AUTO PILOT	134	TANK SELECTOR COVER-FUEL	105
TAB-RUDDER	20	TANK-FUEL	13
TACHOMETER	67	TANK-OXYGEN	119
TACHOMETER	68	TANK-OXYGEN	120
TACHOMETER	68A	TANK-VAPOR SEP & FUEL ACCUMULATOR	103
TACHOMETER	68B	TANK-VAPOR SEP & FUEL ACCUMULATOR	104
TACHOMETER	68C	TANK-VAPOR SEP & FUEL ACCUMULATOR	105
TACHOMETER SHAFT	67	TEMPERATURE BULB-CYLINDER HEAD	76
TACHOMETER SHAFT	68	TEMPERATURE GAGE-OIL	68
TACHOMETER SHAFT	68A	TEMPERATURE GAGE-OIL	68A
TACHOMETER SHAFT	68C	TEMPERATURE GAGE-OIL	688
TACHOMETER SHAFT	68B	TEMPERATURE GAGE-OIL	68C
TACHOMETER SHAFT	68C	TEMPERATURE GAGE-OIL	114
TACTAIR AILERON SERVO	134	TEMPERATURE GAGE-OIL	113
TACTAIR AILERON AMPLIFIER	135	TEMPERATURE GAGE-CYLINDER HEAD	68
TACTAIR AILERON SERVO	135	TEMPERATURE GAGE-CYLINDER HEAD	68A
TACTAIR ALTITUDE HOLD	134	TEMPERATURE GAGE-CYLINDER HEAD	688
TACTAIR AUTO PILOT-T-2	135	TEMPERATURE GAGE-CYLINDER HEAD	68C
TACTAIR AUTO PILOT-T-3	134	TEMPERATURE GAGE-OUTSIDE AIR	70
TACTAIR CABLE	134	THERMOCOUPLE-ENGINE	77
TACTAIR CABLE	135	THERMOCOUPLE-POWER ECONOMY LEAD	68A
TACTAIR COMMAND CONTROL	134	THERMOCOUPLE-POWER ECONOMY LEAD	688
TACTAIR CONTROL UNIT	135	THERMOCOUPLE-POWER ECONOMY LEAD	68C
TACTAIR ELEVATOR AMPLIFIER	134	THROTTLE CONTROL	67
TACTAIR HOSE	135	THROTTLE CONTROL	68
TACTAIR MOUNTING BASE	135	THROTTLE CONTROL	68A
TACTAIR VACUUM SYSTEM	136	THROTTLE CONTROL	688
TAIL LIGHT	39	THROTTLE CONTROL	68C
TAILCONE-FUSELAGE	35	THROTTLE CONTROL	74
TAILCONE-FUSELAGE	35A	THROTTLE CONTROL	75
TAILCONE-FUSELAGE	38	THROTTLE CONTROL BELLCRANK	78
TAILGEAR MOUNTING CASTING	38	TIE DOWN SLIDE & RING	70
TAILWHEEL	45	TIP-ELEVATOR	21
TAILWHEEL	48	TIP-RUDDER	20
TAILWHEEL	47	TIP-STABILIZER	19
TAILWHEEL	48A	TIP-VERTICAL FIN-ROTATING BEACON	124
TAILWHEEL	488	TIP-VERTICAL FIN-FLASHING BEACON	124A
TAILWHEEL ARM	47	TIP-WING	3A
TAILWHEEL AXLE	48	TIP-WING	4
TAILWHEEL AXLE	47	TIP-WING	5
TAILWHEEL AXLE	48A	TIP-WING	6
TAILWHEEL AXLE	488	TIRE	41
TAILWHEEL CABLE	46	TIRE EXPANDER	70
TAILWHEEL FORK	48	TIRE-MAIN GEAR	43
TAILWHEEL FORK	47	TIRE-TAILWHEEL	48
TAILWHEEL FORK	48A	TIRE-TAILWHEEL	47
TAILWHEEL FORK	488	TOP UPHOLSTERY	53
TAILWHEEL HUB	47	TOP-CABIN	24
TAILWHEEL LOCK SYSTEM	46B	TOP-CABIN	25
TAILWHEEL MOUNTING SPRING	46	TOP-REAR CABIN	26
TAILWHEEL MOUNTING TURE	45	TRANSMITTER FLOAT-FUEL	13
TAILWHEEL PAWL	47	TRANSMITTER-FUEL	13
TAILWHEEL PAWL	48	TRAY-ASH	60
TAILWHEEL PAWL	48A	TRAY-ASH	61
TAILWHEEL PAWL	488	TRAY-ASH	61A
TAILWHEEL STEERING BELLCRANK	98	TRAY-ASH	58
		TRAY-ASH	57
		TRAY-ASH	57A
		TRIM CONTROL SYSTEM-STABILIZER	100

ALPHABETICAL INDEX

NOMENCLATURE	FIGURE	NOMENCLATURE	FIGURE
T (Cont)		V (Cont)	
TRIM CONTROL INDICATOR	100	VACUUM SWITCH-PRESS TO TEST.	67
TRIM CONTROL INDICATOR	100A	VACUUM SWITCH-PRESS TO TEST.	68
TRIM WHEEL COVER-RUDDER.	56	VACUUM SYSTEM.	76
TRIM WHEEL COVER-RUDDER.	55	VACUUM SYSTEM.	77
TRIM WHEEL-RUDDER.	98	VACUUM SYSTEM.	116
TRIM WHEEL-STABILIZER.	100	VACUUM SYSTEM.	117
TRIM WHEEL-STABILIZER.	100A	VACUUM SYSTEM.	117A
TRUE AIRSPEED INDICATOR.	68A	VACUUM SYSTEM.	117B
TRUE AIRSPEED INDICATOR.	68B	VACUUM SYSTEM.	117C
TRUE AIRSPEED INDICATOR.	68C	VACUUM SYSTEM-FWD OF FIREWALL.	117D
TRUE AIRSPEED INDICATOR.	101	VACUUM SYSTEM-TACTAIR.	136
TRUE AIRSPEED INDICATOR.	102	VALVE CHECK.	107
TUBE-AILERON CARRY THRU.	95	VALVE CONTROL-FUEL	105
TUBE-AIR BOX DRAIN	76	VALVE CONTROL-FUEL	104
TUBE-BREATHER.	76	VALVE GUIDE-DEFROST.	89
TUBE-BREATHER.	77	VALVE HANDLE-FUEL.	103
TUBE-CONTROL	94	VALVE HANDLE-FUEL.	105
TUBE-GENERATOR BLAST	76	VALVE-AIR VENT REAR.	88
TUBE-GENERATOR BLAST	77	VALVE-AIR VENT REAR.	88A
TUBE-LANDING GEAR.	43	VALVE-CHECK.	108
TUBE-PITOT	102	VALVE-DEFROST.	89
TUBE-PITOT	101	VALVE-DRAIN.	13A
TUBE-PITOT	4	VALVE-DRAIN.	109
TUBE-TAILWHEEL SPRING MOUNTING	46	VALVE-FUEL	103
TUBE-TAILWHEEL MOUNTING.	45	VALVE-FUEL	104
TUBE-TAILWHEEL	48	VALVE-FUEL	105
TUBE-TAILWHEEL	47	VALVE-FUEL	111
TUBELESS TIRE VALVE.	70	VALVE-FUEL DRAIN	13A
TUNNEL COVER	55	VALVE-FUEL DRAIN	105
TUNNEL COVER-AFT	28	VALVE-FUEL DRAIN	103
TUNNEL COVER-AFT	29	VALVE-FUEL DRAIN	104
TURN & BANK INDICATOR.	67	VALVE-FUEL DRAIN	110
TURN & BANK INDICATOR.	68	VALVE-FUEL SAMPLER	13A
TURN & BANK INDICATOR.	68A	VALVE-FUEL SELECTOR.	112
TURN & BANK INDICATOR.	68C	VALVE-FUEL SELECTOR.	109
TURN & BANK INDICATOR.	68B	VALVE-FUEL TANK SELECTOR	105
TURN COORDINATOR INDICATOR	68C	VALVE-FUEL VENT.	13
TURN COORDINATOR INDICATOR	68B	VALVE-QUICK DRAIN OIL.	77
TURN COORDINATOR INDICATOR	95B	VALVE-OXYGEN	119
		VALVE-OXYGEN	120
		VALVE-OXYGEN	120A
		VALVE-OXYGEN	120B
		VALVE-OXYGEN	120C
		VALVE-SHUT OFF-TACTAIR	134
		VALVE-SOLENOID	114
		VALVE-SOLENOID	113
		VALVE-SOLENOID	107
		VALVE-SUCTION RELIEF	116
		VALVE-SUCTION RELIEF	117
		VALVE-SUCTION RELIEF	117A
		VALVE-SUCTION RELIEF	117D
		VALVE-SUCTION RELIEF	136
		VALVE-TUBELESS TIRE.	70
		VALVE-WARM AIR	89
		VALVE-WING LEVELER	68B
		VALVE-WING LEVELER	68C
		VALVE-WING LEVELER	95B
		VAPOR SEPARATOR TANK	105
		VAPOR SEPARATOR TANK	103
		VAPOR SEPARATOR TANK	104
		VALVE-OXYGEN FILLER.	120
		VENT HOSE	117
		VENT LINE.	116
		VENT LINE.	136
		VENT LINE-FUEL	13
		VENT LINE-FUEL	109
		VENT SCOOP-CABIN AIR	7
		VENT SCOOP-CABIN AIR	8
U			
UNIVERSAL JOINT.	94		
UPHOLSTERY-BAGGAGE COMPARTMENT	57		
UPHOLSTERY-BAGGAGE COMPARTMENT	57A		
UPHOLSTERY-BAGGAGE COMPARTMENT	58		
UPHOLSTERY-CABIN TOP & FIREWALL.	53		
UPHOLSTERY-CABIN DOORS	54		
UPHOLSTERY-CABIN SIDE PANELS	58		
UPHOLSTERY-CABIN SIDE PANELS	57		
UPHOLSTERY-CABIN SIDE PANELS	57A		
UPHOLSTERY-FLOORBOARD & BAG COMPT.	55		
UPHOLSTERY-FLOORBOARD DELUXE	56		
UPHOLSTERY-HOW TO ORDER			
	PAGE XII		
V			
VACUUM AIR FILTER.	117B		
VACUUM AIR FILTER.	117C		
VACUUM PUMP.	116		
VACUUM PUMP.	117		
VACUUM PUMP.	117A		
VACUUM PUMP.	117D		
VACUUM PUMP.	136		



ALPHABETICAL INDEX

NOMENCLATURE	FIGURE	NOMENCLATURE	FIGURE
V (Cont)		W (Cont)	
VENT SCOOP-CABIN AIR	8A	WINDOW-CAMERA	132
VENT TUBE	117D	WINDOW-REAR SIDE	26
VENT-FUEL VALVE	13	WINDSHIELD	31
VENTILATION SYSTEM-CABIN	88	WINDSHIELD	22
VENTILATION SYSTEM-CABIN	88A	WINDSHIELD	23
VERTICAL SPEED INDICATOR	67	WINDSHIELD RETAINER	31
VERTICAL SPEED INDICATOR	68	WING	3
VERTICAL SPEED INDICATOR	68A	WING	3A
VERTICAL SPEED INDICATOR	68B	WING FAIRING	3
VERTICAL SPEED INDICATOR	68C	WING FAIRING	3A
VERTICAL SPEED INDICATOR	101	WING FAIRING	5
VERTICAL SPEED INDICATOR	102	WING FAIRING	6
VERTICALLY ADJUSTABLE FRONT SEAT	63	WING FAIRING	6A
VIBRATOR-STARTING	121	WING FILLET	22
VISOR-SUN	70	WING FLAP	15
VOLTAGE REGULATOR	76A	WING LEADING EDGE	8
VOLTAGE REGULATOR	77B	WING LEADING EDGE	8A
VOLTAGE REGULATOR	121	WING LEADING EDGE	7
VOLTAGE REGULATOR	122	WING LEVELER COMPONENTS	95B
VOLTAGE REGULATOR-ALTERNATOR	121	WING LEVELER INSTALLATION	95A
VOLTAGE REGULATOR-ALTERNATOR	122	WING LEVELER SERVO	95A
		WING LEVELER VALVE	68B
		WING LEVELER VALVE	95B
W		WING NAVIGATION LIGHT	3
WARNING HORN-STALL	68A	WING NAVIGATION LIGHT	3A
WARNING HORN-STALL	69	WING RIB	4
WARNING HORN-STALL	102B	WING RIB	5
WARNING UNIT-STALL	3	WING RIB	6
WEIGHT-AILERON	14	WING RIB	6A
WEIGHT-ELEVATOR BALANCE	21	WING SKINS & STRINGERS	11
WEIGHT-PROPELLER	72	WING SKINS & STRINGERS	12
WEIGHT-PROPELLER	72A	WING SKINS & STRINGERS	12A
WEIGHT-RUDDER BALANCE	20	WING SPAR	9
WHEEL & BRAKE-MAIN GEAR	43	WING SPAR	10
WHEEL & BRAKE-MAIN GEAR	42	WING SPAR	10A
WHEEL & BRAKE-MAIN GEAR	42A	WING STALL WARNING UNIT	3
WHEEL & BRAKE	41	WING STRUCTURE	4
WHEEL & BRAKE	40	WING STRUCTURE	5
WHEEL & BRAKE-CROSSWIND GEAR	42B	WING STRUCTURE	5A
WHEEL & BRAKE-CROSSWIND GEAR	44	WING STRUCTURE-EXTENDED RANGE	6
WHEEL & TIRE-TAILWHEEL	48	WING STRUCTURE-EXTENDED RANGE	6A
WHEEL & TIRE-TAILWHEEL	47	WING STRUT	16
WHEEL & TIRE-TAILWHEEL	48A	WING STRUT FAIRING	16
WHEEL & TIRE-TAILWHEEL	48B	WING STRUT FITTING	16
WHEEL COVER-RUDDER TRIM	98	WING TIP	3A
WHEEL COVER-RUDDER TRIM	55	WING TIP	4
WHEEL COVER-STABILIZER TRIM	100	WING TIP	6
WHEEL EMBLEM-CONTROL	94	WING TIP	5
WHEEL EMBLEM-CONTROL	94A	WINTERIZATION EQUIPMENT	86
WHEEL-CONTROL	94	WIRE CUTTER & DEFLECTOR INSTL	70A
WHEEL-CONTROL	94A	WIRE-HEADLINER	53
WHEEL-CONTROL	94B		
WHEEL-RUDDER TRIM	98		
WHEEL-STABILIZER TRIM	100		
WHEEL-STABILIZER TRIM	100A		
WINDLACE-CABIN DOOR	58		
WINDLACE-CABIN DOOR	57		
WINDLACE-CABIN DOOR	57A		
WINDOW FRAME-DOOR	50		
WINDOW HINGE	49		
WINDOW RETAINER	26		
WINDOW SEAL	49		
WINDOW-CABIN DOOR	49		
WINDOW-CABIN DOOR	50		
WINDOW-CAMERA	131		
WINDOW-CAMERA	133		

This page intentionally left blank.



PARTS LISTING

FIGURE AND INDEX NO.	PART NUMBER	DESCRIPTION							UNITS PER ASSY	USABLE ON CODE
		1	2	3	4	5	6	7		
1 - - 1	C1C2	MISCELLANEOUS BULK ITEMS ----- CONLEY-WELD EPOXY BASE ADHESIVE.							AR	
- 2	EC880	ADHESIVE-SYNTHETIC RUBBER BASE OIL RESISTANT								
- 3	1024A-B	CEMENT PARTS A & B								
- 4	1007	PRIMER								
- 5	576.1	SEALANT-EXTRUDED PERMAGUM								
- 6	579.6	SEALANT-EXTRUDED ZINC CHROMATE								
- 7	S1078-1	SEALANT-SYNTHETIC RUBBER-FABRIC REINFORCED .06 THICK .50 WIDE								
- 8	S1078-2	SEALANT-SYNTHETIC RUBBER-FABRIC REINFORCED .12 THICK .50 WIDE								
- 9	S1078-3	SEALANT-SYNTHETIC RUBBER-FABRIC REINFORCED 2 MIL MYLAR TAPE BACKING. .06 THICK 1.50 WIDE								
-10	EC1239AB	SEALANT-CATALYTIC								
-11	700	SEALANT-FIREWALL								
-12	EC776	ADHESIVE-GASKET FUEL RESISTANT SYNTHETIC RUBBER BASE.								
-13	550	SOUND DEADENER- LIQUID VIBRATION DAMPENER								
-14	MIL-P-8585	PRIMER-ZINC CHROMATE- GREEN								
-14A	EC1675A-B	SEALANT-CATALYTIC								
-14B	PRO890	SEALANT-CATALYTIC ALTERNATE FOR EC1675A-B								



FIGURE AND INDEX NO.	PART NUMBER	DESCRIPTION							UNITS PER ASSY	USABLE ON CODE	
		1	2	3	4	5	6	7			
1 -14C	LOCTITE5381	EPOXY							URETHANE TO URETHANE -----	AR	
		MIXER CUP							URETHANE TO METAL		
									POLYCARBONATE TO METAL		
									ABS TO METAL		
-14D	EC22168/A	ADHESIVE PARTS A&B							METAL TO METAL -----	AR	
-14E	LOCTITE8721	LOCKING & RETAINING COMPOUND							METAL TO METAL -----	AR	
-15	S51-4	HOSE-FUEL & OIL-1/4 ID							AVAILABLE BY THE FOOT -----	AR	
	S51-6	HOSE-FUEL & OIL-3/8 ID							AVAILABLE BY THE FOOT -----	AR	
	S51-8	HOSE-FUEL & OIL-1/2 ID							AVAILABLE BY THE FOOT -----	AR	
	S51-10	HOSE-FUEL & OIL-5/8 ID							AVAILABLE BY THE FOOT -----	AR	
	S51-12	HOSE-FUEL & OIL-3/4 ID							AVAILABLE BY THE FOOT -----	AR	
	S51-16	HOSE-FUEL & OIL-1.00 ID							AVAILABLE BY THE FOOT -----	AR	
	S51-32	HOSE-FUEL & OIL-2.00 ID							AVAILABLE BY THE FOOT -----	AR	
-16	S202RB	CHANNEL-EXTRUDED	BLACK						AVAILABLE BY THE FOOT -----	AR	
	S202VW	CHANNEL-EXTRUDED	WHITE						AVAILABLE BY THE FOOT -----	AR	
-17	S292-1	INSULATION SLEEVING-ELEC-.118 ID							AVAILABLE BY THE FOOT --	AR	
	S292-2	INSULATION SLEEVING-ELEC-.133 ID							AVAILABLE BY THE FOOT --	AR	
	S292-3	INSULATION SLEEVING-ELEC-.148 ID							AVAILABLE BY THE FOOT --	AR	
	S292-4	INSULATION SLEEVING-ELEC-.166 ID							AVAILABLE BY THE FOOT --	AR	
	S292-5	INSULATION SLEEVING-ELEC-.186 ID							AVAILABLE BY THE FOOT --	AR	
	S292-6	INSULATION SLEEVING-ELEC-.208 ID							AVAILABLE BY THE FOOT --	AR	
	S292-8	INSULATION SLEEVING-ELEC-.263 ID							AVAILABLE BY THE FOOT --	AR	
	S292-11	INSULATION SLEEVING-ELEC-5/16 ID							AVAILABLE BY THE FOOT --	AR	
	S292-12	INSULATION SLEEVING-ELEC-3/8 ID							AVAILABLE BY THE FOOT ---	AR	
	S292-14	INSULATION SLEEVING-ELEC-1/2 ID							AVAILABLE BY THE FOOT ---	AR	
	S292-16	INSULATION SLEEVING-ELEC-3/4 ID							AVAILABLE BY THE FOOT ---	AR	
	S292-28	INSULATION SLEEVING-ELEC-2-1/2 ID							AVAILABLE BY THE FOOT -	AR	
-18	S1026BG	CLAMP-WRAP TYPE							AVAILABLE IN 100 FOOT ROLL -----	AR	
-19	S1053E7T	DUCT-FLEXIBLE-NEOPRENE IMPREGNATED							7/8 DIA -----	AR	
		AVAILABLE IN 10 FOOT LENGTHS ONLY									
	S1053E8T	DUCT-FLEXIBLE-NEOPRENE IMPREGNATED							1.00 DIA -----	AR	
		AVAILABLE IN 10 FOOT LENGTHS ONLY									
	S1053E10T	DUCT-FLEXIBLE-NEOPRENE IMPREGNATED							1-1/4 DIA -----	AR	
	S1053K10T	DUCT-FLEXIBLE-SILICONE IMPREGNATED							1-1/4 DIA -----	AR	
		AVAILABLE IN 10 FOOT LENGTHS ONLY									
	S1053E12T	DUCT-FLEXIBLE-NEOPRENE IMPREGNATED							1-1 1/2 DIA -----	AR	
	S1053K12T	DUCT-FLEXIBLE-SILICONE IMPREGNATED							1-1/2 DIA -----	AR	
		AVAILABLE IN 10 FOOT LENGTHS ONLY									
	S1053E20T	DUCT-FLEXIBLE-NEOPRENE IMPREGNATED							2-1/2 DIA -----	AR	
	S1053K20T	DUCT-FLEXIBLE-SILICONE IMPREGNATED							2-1/2 DIA -----	AR	
		AVAILABLE IN 10 FOOT LENGTHS ONLY									
	S1053E24T	DUCT-FLEXIBLE-NEOPRENE IMPREGNATED							3.00 DIA -----	AR	
	S1053K24T	DUCT-FLEXIBLE-SILICONE IMPREGNATED							3.00 DIA -----	AR	
	S1053K24W	DUCT-FLEXIBLE-SILICONE IMPREGNATED							2 PLY 3.00 DIA ---	AR	
		AVAILABLE IN 10 FOOT LENGTHS ONLY									
	S1053E28T	DUCT-FLEXIBLE-NEOPRENE IMPREGNATED							3-1/2 DIA -----	AR	
	S1053K28W	DUCT-FLEXIBLE-SILICONE IMPREGNATED							2 PLY 3-1/2 DIA --	AR	
		AVAILABLE IN 10 FOOT LENGTHS ONLY									
	S1053E32T	DUCT-FLEXIBLE-NEOPRENE IMPREGNATED							4.00 DIA -----	AR	
	S1053K32T	DUCT-FLEXIBLE-SILICONE IMPREGNATED							4.00 DIA -----	AR	
		AVAILABLE IN 10 FOOT LENGTHS ONLY									
-20	S1047-1	SEAL-SPONGE RUBBER-1/4 THICK							AVAILABLE BY THE FOOT -----	AR	
	S1047-2	SEAL-SPONGE RUBBER-5/16 THICK							AVAILABLE BY THE FOOT -----	AR	
-21	S1055-1	CHANNEL-EXTRUDED RUBBER							AVAILABLE BY THE FOOT -----	AR	
-22	S1071-1	TUBE-POLYETHYLENE-1/4 DIA							AVAILABLE BY THE FOOT -----	AR	
	S1071-3	TUBE-POLYETHYLENE-3/8 DIA							AVAILABLE BY THE FOOT -----	AR	
	S1071-4	TUBE-POLYETHYLENE-1/2 DIA							AVAILABLE BY THE FOOT -----	AR	
	S1071-5	TUBE-POLYETHYLENE-5/8 DIA							AVAILABLE BY THE FOOT -----	AR	

CONTINUED ON NEXT PAGE

Bulk Items (Cont)

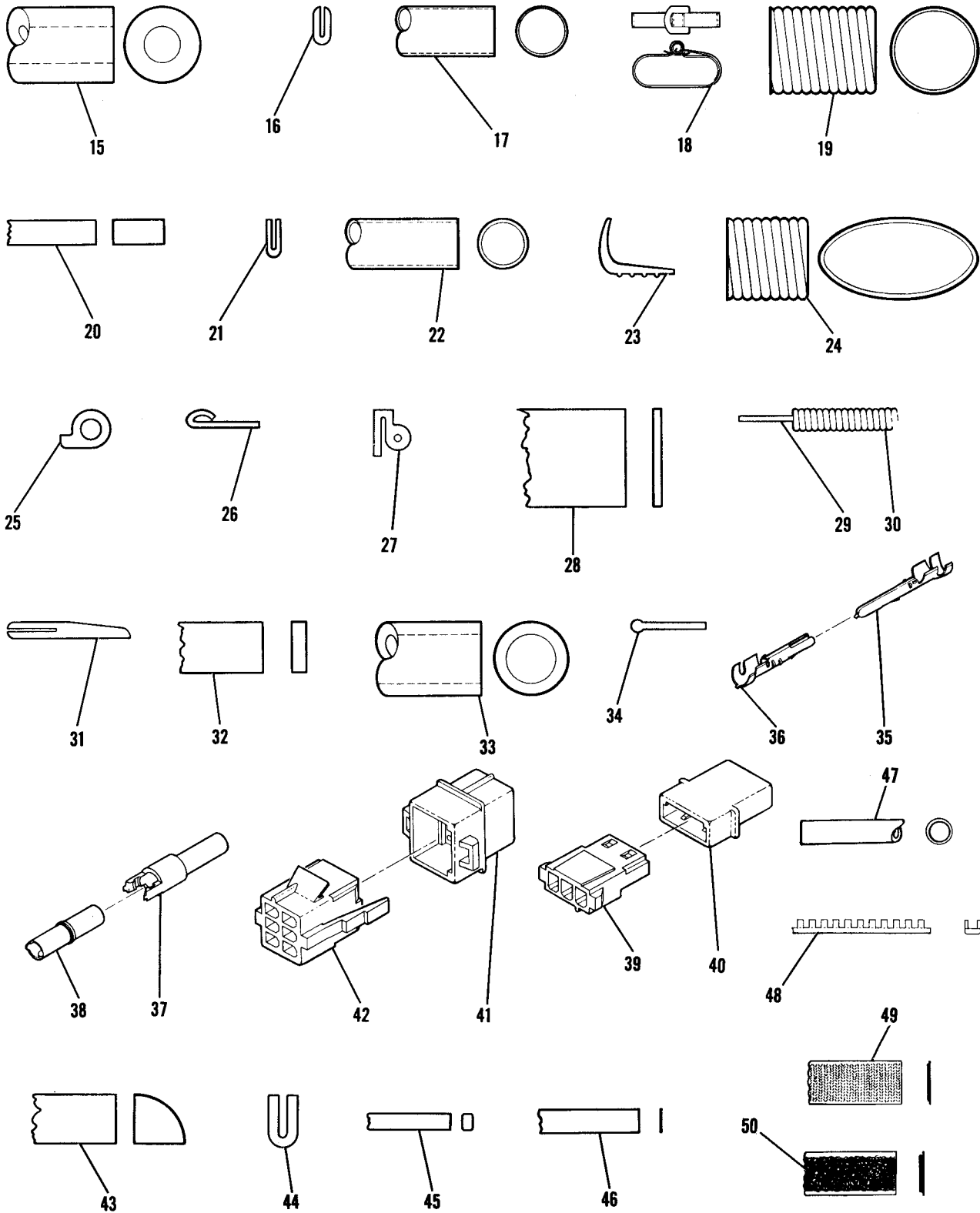
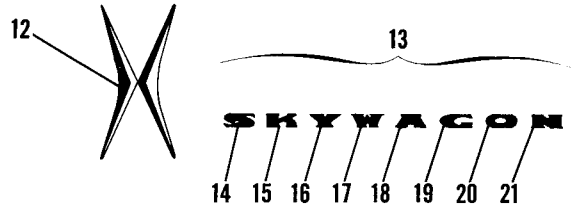
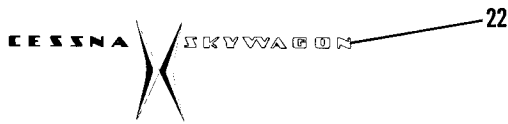


Figure 1. Miscellaneous Bulk Items

FIGURE AND INDEX NO.	PART NUMBER	DESCRIPTION	UNITS PER ASSY	USABLE ON CODE
		1 2 3 4 5 6 7		
1 -23	S1084-1	SEAL-EXTRUDED RUBBER AVAILABLE BY THE FOOT -----	AR	
-24	S1110ET	DUCT-OVAL-FLEXIBLE-NEOPRENE IMPREGNATED ----- AVAILABLE IN 10 FOOT LENGTHS ONLY	AR	
-25	S1346-1	SEAL-SPONGE RUBBER AVAILABLE IN 12 FT LENGTHS ONLY -----	AR	
-26	S1366-1	MOULDING-EXTRUDED PLASTIC-SAND AVAILABLE BY THE FOOT -----	AR	
	S1366-2	MOULDING-EXTRUDED PLASTIC-FAWN AVAILABLE BY THE FOOT -----	AR	
	S1366-3	MOULDING-EXTRUDED PLASTIC-BLACK AVAILABLE BY THE FOOT -----	AR	
-27	S1378-1	SEAL-SPONGE RUBBER-BEIGE AVAILABLE IN 7 FT LENGTHS ONLY -----	AR	
	S1378-2	SEAL-SPONGE RUBBER-CLOUD GRAY ----- AVAILABLE IN 7 FT LENGTHS ONLY	AR	
-28	S1389-1	SEALER STRIP-FELT-1.00 WIDE AVAILABLE BY THE FOOT -----	AR	
	S1389-2	SEALER STRIP-FELT-1-1/2 WIDE AVAILABLE BY THE FOOT -----	AR	
	S1389-3	SEALER STRIP-FELT-2.00 WIDE AVAILABLE BY THE FOOT -----	AR	
	S1389-4	SEALER STRIP-FELT-1-3/4 WIDE AVAILABLE BY THE FOOT -----	AR	
	S1389-5	SEALER STRIP-FELT-1-1/4 WIDE AVAILABLE BY THE FOOT -----	AR	
	S1389-6	SEALER STRIP-FELT-2-1/4 WIDE AVAILABLE BY THE FOOT -----	AR	
	S1389-7	SEALER STRIP-FELT-1-3/8 WIDE AVAILABLE BY THE FOOT -----	AR	
-29	S1398-1	CONTROL-PUSH PULL-WIRE AVAILABLE BY THE FOOT -----	AR	
-30	S1398-2	CONTROL-PUSH PULL-CASING AVAILABLE BY THE FOOT -----	AR	
-31	S1415-1	MOULDING-EXTRUDED VINYL -----	AR	
-32	S1441-1	SEAL-SPONGE RUBBER-3/8 WIDE AVAILABLE BY THE FOOT -----	AR	
	S1441-2	SEAL-SPONGE RUBBER-1/4 WIDE AVAILABLE BY THE FOOT -----	AR	
	S1441-3	SEAL-SPONGE RUBBER-1/2 WIDE AVAILABLE BY THE FOOT -----	AR	
-33	S1495-4	HOSE-RUBBER-1/4 ID AVAILABLE BY THE FOOT -----	AR	
	S1495-6	HOSE-RUBBER-3/8 ID AVAILABLE BY THE FOOT -----	AR	
	S1495-8	HOSE-RUBBER-1/2 ID AVAILABLE BY THE FOOT -----	AR	
	S1495-10	HOSE-RUBBER-5/8 ID AVAILABLE BY THE FOOT -----	AR	
-34	S1611-1	SEAL-EXTRUDED VINYL AVAILABLE BY THE FOOT -----	AR	
-35	S1635-1	ELECTRICAL PIN WIRE SIZE 22-18 -----	AR	
	S1635-2	ELECTRICAL PIN WIRE SIZE 18-14 -----	AR	
	S1635-3	ELECTRICAL PIN WIRE SIZE 18 GA-2 WIRE -----	AR	
-36	S1636-1	ELECTRICAL SOCKET WIRE SIZE 22-18 -----	AR	
	S1636-2	ELECTRICAL SOCKET WIRE SIZE 18-14 -----	AR	
	S1636-3	ELECTRICAL SOCKET WIRE SIZE 18 GA-2 WIRE -----	AR	
-37	S1637-1	HOUSING-ELECTRICAL PIN -----	AR	
-38	S1637-2	HOUSING-ELECTRICAL SOCKET -----	AR	
-39	S1638-1	HOUSING-ELECTRICAL SOCKET-3 CIRCUIT -----	AR	
-40	S1638-2	HOUSING-ELECTRICAL PIN-3 CIRCUIT -----	AR	
-41	S1640-6	HOUSING-ELECTRICAL PIN-6 CAVITY -----	AR	
	S1640-9	HOUSING-ELECTRICAL PIN-9 CAVITY -----	AR	
	S1640-12	HOUSING-ELECTRICAL PIN-12 CAVITY -----	AR	
	S1640-15	HOUSING-ELECTRICAL PIN-15 CAVITY -----	AR	
-42	S1641-6	HOUSING-ELECTRICAL SOCKET-6 CAVITY -----	AR	
	S1641-9	HOUSING-ELECTRICAL SOCKET-9 CAVITY -----	AR	
	S1641-12	HOUSING-ELECTRICAL SOCKET-12 CAVITY -----	AR	
	S1641-15	HOUSING-ELECTRICAL SOCKET-15 CAVITY -----	AR	
-43	S1116	SEAL-NEOPRENE AVAILABLE IN 12 FOOT LENGTHS ONLY -----	AR	
-44	S1356	SEAL-EXTRUDED RUBBER AVAILABLE BY THE FOOT -----	AR	
-45	S1614	LACING-KOROSEAL AVAILABLE BY THE FOOT -----	AR	
-46	3690-1/8	FILM-BLACK VINYL-1/8 IN WIDE AVAILABLE BY THE ROLL -----	AR	
	3690-1/4	FILM-BLACK VINYL-1/4 IN WIDE AVAILABLE BY THE ROLL -----	AR	
	3690-1/2	FILM-BLACK VINYL-1/2 IN WIDE AVAILABLE BY THE ROLL -----	AR	
-47	110691	WIRE-TEFLON AVAILABLE BY THE FOOT -----	AR	
-48	S1050-1	GROMMET-CATERPILLAR .056 WIDE -----	AR	
	S1050-2	GROMMET-CATERPILLAR .090 WIDE -----	AR	
	S1050-3	GROMMET-CATERPILLAR .131 WIDE -----	AR	
-49	S2092-3	FABRIC FASTENER-HOOK AVAILABLE BY THE FOOT -----	AR	
-50	S2092-4	FABRIC FASTENER-PILE AVAILABLE BY THE FOOT -----	AR	

Placards



THIS AIRPLANE MUST BE OPERATED AS A NORMAL CATEGORY AIRPLANE IN COMPLIANCE WITH THE OPERATING LIMITATIONS STATED IN THE FORM OF PLACARDS, MARKINGS AND MANUALS.

NO ACROBATIC MANEUVERS, INCLUDING SPINS, APPROVED.

MAXIMUM MANEUVERING SPEED 130 MPH-TIAS

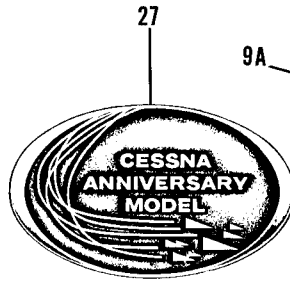
MAXIMUM ALTITUDE LOSS IN STALL RECOVERY 100 FEET.

FLIGHT MANEUVERING LOAD FACTORS
 FLAPS UP+3.8; -1.32
 FLAPS DOWN+3.5

MAXIMUM DESIGN WEIGHT 2300 LB.

REFERENCE WEIGHT AND BALANCE DATA FOR LOADING INSTRUCTIONS.

FOR FLOATPLANE ONLY:
 MAXIMUM DESIGN WEIGHT 3100 LBS
 MAXIMUM ALTITUDE LOSS IN STALL RECOVERY 130 FEET.
 AVOID SIDESLIPS WITH FLAPS EXTENDED.



WHEN WINTERIZATION KIT IS INSTALLED, IT MUST BE REMOVED WHEN OUTSIDE AIR TEMP. IS ABOVE 20°F.

9 AVOID SLIPS WITH FLAPS DOWN

ENGINE OIL

AIRTEMP — GRADE
 BELOW 40°F — SAE 30
 ABOVE 40°F — SAE 50

TIRE PRESSURE

MAIN 6:00×6 — 35PSI
 8:00×6 — 25PSI
 TAILWHEEL — 45PSI

FUEL ON
 81 GALS.

+

OFF

FUEL ON
 62 GALS.

+

OFF

OIL DILUTION

PUSH ON

REFER TO WEIGHT & BALANCE DATA FOR BAGGAGE / CARGO LOADING

FLAPS - PULL TO EXTEND

	RETRACTED	0°
TAKE-OFF	1ST NOTCH	10°
	2ND NOTCH	20°
LANDING	3RD NOTCH	30°
	4TH NOTCH	40°

VAC. LIGHTS

PUSH TEST

INDUCTION HOT AIR →

BOTH ON 78 GALS
 USE BOTH TANKS FOR TAKE OFF & LANDING

LEFT TANK 39 GALS RIGHT TANK 39 GALS

BOTH ON 59 GALS
 USE BOTH TANKS FOR TAKE OFF & LANDING

LEFT TANK 29.5 GALS RIGHT TANK 29.5 GALS

FINISH & TRIM

SERIAL 185-0001 THRU 185-1447

Figure 2. (Sheet 1 of 2) Placards, Nameplates & Exterior Markings



FIGURE AND INDEX NO.	PART NUMBER	DESCRIPTION	UNITS PER ASSY	USABLE ON CODE
2 -		PLACARDS, NAMEPLATES & EXTERIOR MARKINGS -----	NP	E
- 1	0500085-1	INSIGNIA CESSNA ON FUSELAGE -----	2	G
- 2	0700061-1	PLACARD SKYWAGON ON VERTICAL FIN -----	2	A
- 3	0700061-2	PLACARD EMBLEM ON VERTICAL FIN -----	2	U
- 4	0713228-2	PLACARD-OPERATIONAL LIMITATIONS -----	1	W
	0700167-3	PLACARD-OPERATIONAL LIMITATIONS -----	1	AA
	S1656-7	PLACARD-OPERATIONAL LIMITATIONS -----	1	AB
	S1656-26	PLACARD-OPERATIONAL LIMITATIONS -----	1	
- 5	0713224-1	PLACARD-BAGGAGE LOAD LIMIT WHEN EXHAUSTED ----- USE 1205015-1	1	J
- 6	0716106-1	PLACARD-FUEL SELECTION 62 GALLONS -----	1	D
- 6A	0716113-1	PLACARD-FUEL VALVE -----	1	J
- 7	0716106-2	PLACARD-FUEL SELECTION 81 GALLONS -----	1	D
- 7A	0716113-2	PLACARD-FUEL VALVE -----	1	K
- 8	0713210-16	PLACARD-TIRE & OIL PRESSURE -----	1	
- 9	0510188	PLACARD-FLAP LEVER USED ON FLOATPLANE & AMPHIBIAN -----	1	
- 9A	0700319-13	PLACARD-WINTERIZATION -----	1	
-10	0713047	PLACARD-FINISH & TRIM -----	1	
-11	0510191	PLACARD-FLAP INSTRUCTIONS WHEN EXHAUSTED USE 0705004-1 -----	1	
-12	0700064-1	PLACARD-EMBLEM ON GLOVE BOX DOOR -----	1	K
-13	0513220-14	LETTERING-SKYWAGON ON GLOVE BOX DOOR -----	1	K
-14	0513220-2	INITIAL S -----	1	
-15	0513220-3	INITIAL K -----	1	
-16	0513220-4	INITIAL Y -----	1	
-17	0513220-9	INITIAL W -----	1	
-18	0513220-6	INITIAL A -----	1	
-19	0513220-11	INITIAL G -----	1	
-20	0513220-12	INITIAL O -----	1	
-21	0513220-13	INITIAL N -----	1	
-22	0700065-1	EMBLEM-CONTROL WHEEL -----	1	G
-23	0713222-1	PLACARD-OIL DILUTION -----	1	K
-24	0713176-1	PLACARD-HOT AIR INDUCTION -----	1	G
-25	0500085-2	EMBLEM-STAR -----	2	B
-26	0713705-4	PLACARD-VACUUM LIGHTS PUSH TO TEST -----	1	B
-27	0713724-1	MEDALLION-CESSNA ANNIVERSARY MODEL -----	1	C

CONTINUED ON NEXT PAGE

Placards (Cont)

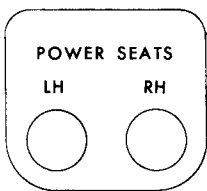
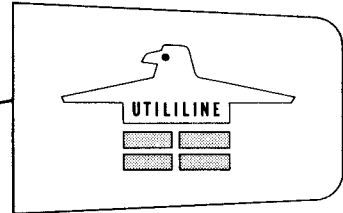


29A 29 29B 30 32 32A 34A 33

50 51



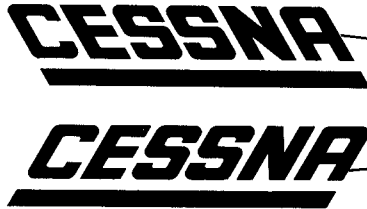
31 34D 32B 34E 32 34 32B 34B 34C



FUEL FLOWS AT FULL THROTTLE		
	2850 RPM	2700 RPM
S.L.	24	23
4000 FT	22	21
8000 FT	20	19

0700167-2

CESSNA PART NO. 1230408-1
ELEMENT AND 1230408-2
CHANGE OIL & FILTER ELEMENT
EVERY 30 HOURS
TORQUE 15 LB FT 185
ADD 1/2 ADDITIONAL QT OF
ENGINE OIL WITH INSTALLATION
OF THIS FILTER & AT EACH
ELEMENT CHANGE



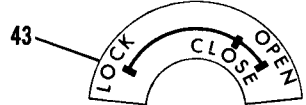
FUEL VALVE
81 GALS USABLE

FUEL VALVE

TAIL
WHEEL
UNLOCK

TO FILL TANKS TO
MAX. CAPACITY USE
OUTBOARD FILLERS

TAIL
WHEEL
LOCK



ALTERNATE STATIC AIR
← CLOSED OPEN →

ENGINE OIL

ABOVE 40°F USE SAE 50 - BELOW 40°F USE SAE 30

TACH HOURS DATE

OIL CHANGED: [] []

OIL USED: [] []

*DETERGENT [] NON-DETERGENT []

*MUST COMPLY WITH CONTINENTAL SPEC. MMS 24.
CESSNA DEALERS HAVE LIST OF APPROVED OILS.

CAUTION 12 VOLTS D.C.
THIS AIRCRAFT IS EQUIPPED WITH
ALTERNATOR AND A NEGATIVE
GROUND SYSTEM.
OBSERVE PROPER POLARITY
REVERSE POLARITY WILL DAMAGE
ELECTRICAL COMPONENTS. W/N 1215235-1

SERIAL 185-0001 THRU 185-1447

Figure 2. (Sheet 2 of 2) Placards, Nameplates & Exterior Markings

FIGURE AND INDEX NO.	PART NUMBER	DESCRIPTION							UNITS PER ASSY	USABLE ON CODE
		1	2	3	4	5	6	7		
2 -28	S1397-1	PLACARD-ENGINE OIL -----							1	Z
	S1397-4	PLACARD-ENGINE OIL -----							1	X
-29	1200661-2	LETTERING SKYWAGON -----							2	M
	0700721-1	PLACARD -----							2	L
-29A	0700752-1	PLACARD -----							2	W
-29B	0500125-1	PLATE -----							2	W
	0700748-1	PLACARD -----							2	W
-30	0700061-2	PLACARD EMBLEM -----							2	M
-31	1400014-1	NAMEPLATE CESSNA -----							2	M
-31A	0400135-1	NAMEPLATE-CESSNA -----							2	W
-32	0500125-1	PLATE-CONTROL WHEEL INSIGNIA -----							1	F
-32A	0500125-44	PLATE-CONTROL WHEEL INSIGNIA -----							1	W
-32B	0700742-1	PLATE-CONTROL WHEEL INSIGNIA -----							1	X
-33	0500125-11	INSIGNIA-CONTROL WHEEL -----							1	M
-34	0700153-1	INSIGNIA-CONTROL WHEEL -----							1	L
-34A	0700740-1	INSIGNIA-CONTROL WHEEL -----							1	W
-34B	0700175-1	PLACARD-CONTROL WHEEL -----							1	AC
-34C	0700745-1	EMBLEM-CONTROL WHEEL -----							1	AC
-34D	0700197-1	PLACARD-CONTROL WHEEL -----							1	AD
-34E	0713255-8	EMBLEM-CONTROL WHEEL -----							1	AD
-35	0716112-1	PLACARD-FUEL -----							1	P
	0716135-1	PLACARD-FUEL -----							1	AE
-36	0716112-2	PLACARD-FUEL -----							1	P
-37	0700152-1	PLACARD-LH -----							1	L
	0700152-2	PLACARD-RH -----							1	L
	1200713-1	PLACARD -----							2	W
-38	0713190-1	PLACARD-TAILWHEEL LOCK -----							1	H
-39	0713190-2	PLACARD-TAILWHEEL LOCK -----							1	H
-40	0700143-1	PLACARD-POWER SEATS -----							1	N
-41	1200678-2	PLACARD-ALTERNATE STATIC SOURCE WHEN ----- EXHAUSTED USE 0505005-1							1	S
-42	1250410-3	PLACARD-OIL FILTER -----							1	T
-43	0700166-1	PLACARD-DOOR HANDLE LH -----							1	S
	0700166-2	PLACARD-DOOR HANDLE RH -----							1	S
-44	0700167-2	PLACARD-FUEL FLOW WHEN EXHAUSTED USE 0705005-1 -----							1	V
-45	1213535-1	PLACARD-BATTERY BOX WHEN EXHAUSTED USE 1205024-1 -----							1	X
-46	0721205-1	PLACARD-WING -----							2	Y
-47	0500248-1	NAMEPLATE -----							2	Q
-48	1205010-1	NAMEPLATE-LH CESSNA -----							1	AD
-49	1205010-2	NAMEPLATE-RH CESSNA -----							1	AD
-50	0700173-1	PLACARD -----							2	AC
-51	1205013-6	PLACARD -----							2	AD
	S1500	STENCILS-SLANT LETTERS & NUMERALS SEE SHT 1 & 2 FIG 2B -----							AR	AR
	S1600	STENCILS-VERTICAL LETTERS & NUMERALS SEE -----							AR	AR
		SHEETS 1 & 2 FIG 2B								
		<p>A---SERIAL 185-0001 THRU 185-0237</p> <p>B---SERIAL 185-0238 THRU 185-0653</p> <p>C---SERIAL 185-0238 THRU 185-0517</p> <p>D---SERIAL 185-0513 THRU 185-1447</p> <p>E---SERIAL 185-0001 THRU 185-1447</p> <p>F---SERIAL 185-0654 THRU 185-1447</p> <p>G---SERIAL 185-0001 THRU 185-0653</p> <p>H---SERIAL 185-0577 THRU 185-0655</p> <p>J---SERIAL 185-0001 THRU 185-0414</p> <p>K---SERIAL 185-0001 THRU 185-0776</p> <p>L---SERIAL 185-0777 THRU 185-0967</p> <p>M---SERIAL 185-0654 THRU 185-0776</p> <p>N---SERIAL 185-0001 THRU 185-0512</p> <p>P---SERIAL 185-0513 THRU 185-0776</p> <p>Q---SERIAL 185-0777 THRU 185-0967, 185-1150 THRU 185-1300</p> <p>R---SERIAL 185-0415 THRU 185-0776</p> <p>S---SERIAL 185-0968 THRU 185-1447</p> <p>T---SERIAL 185-0932 THRU 185-1447</p> <p>U---SERIAL 185-0001 THRU 185-0967</p> <p>V---SERIAL 185-0968 THRU 185-1447 300 HP ONLY</p> <p>W---SERIAL 185-0968 THRU 185-1149</p> <p>X---SERIAL 185-1150 THRU 185-1447</p> <p>Y---SERIAL 185-0986 THRU 185-1447</p> <p>Z---SERIAL 185-0513 THRU 185-1149</p> <p>AA---SERIAL 185-1150 THRU 185-1242</p> <p>AB---SERIAL 185-1243 THRU 185-1447</p> <p>AC---SERIAL 185-1150 THRU 185-1300</p> <p>AD---SERIAL 185-1301 THRU 185-1447</p> <p>AE---SERIAL 185-0777 THRU 185-1447</p>								

Placards

FLAPS - PULL TO EXTEND

RETRACTED	0°	9
TAKE-OFF 1ST NOTCH	10°	
2ND NOTCH	20°	
LANDING 3RD NOTCH	30°	
4TH NOTCH	40°	

REFER TO WEIGHT & BALANCE DATA FOR BAGGAGE / CARGO LOADING
P/N 0713224

120 POUNDS MAXIMUM BAGGAGE AND/OR AUXILIARY SEAT PASSENGER FOR ADDITIONAL LOADING INSTRUCTIONS SEE WEIGHT & BALANCE DATA. P/N 83294-1

THIS AIRPLANE MUST BE OPERATED AS A NORMAL CATEGORY AIRPLANE IN COMPLIANCE WITH THE OPERATING LIMITATIONS STATED IN THE FORM OF PLACARDS, MARKINGS AND MANUALS.
NO ACROBATIC MANEUVERS, INCLUDING SPINS, APPROVED.
MAXIMUM MANEUVERING SPEED... 128 MPH-TIAS
MAXIMUM ALTITUDE LOSS IN STALL RECOVERY 200 FEET
FLIGHT MANEUVERING LOAD FACTORS
FLAPS UP..... +3.8, -1.52
FLAPS DOWN..... +3.5
MAXIMUM DESIGN WEIGHT..... 2800 LBS.
REFERENCE WEIGHT AND BALANCE DATA FOR LOADING INSTRUCTIONS.
AVOID SIDESLIPS WITH FLAPS EXTENDED. P/N 0713233-1

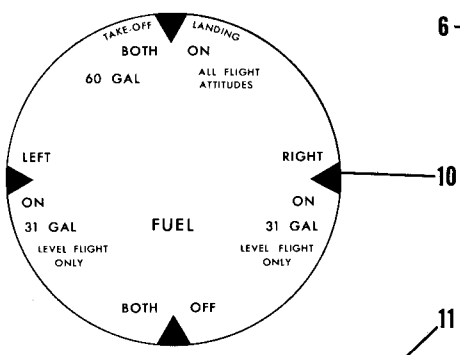
THIS AIRPLANE MUST BE OPERATED AS A NORMAL CATEGORY AIRPLANE IN COMPLIANCE WITH THE OPERATING LIMITATIONS STATED IN THE FORM OF PLACARDS, MARKINGS AND MANUALS.
NO ACROBATIC MANEUVERS, INCLUDING SPINS, APPROVED.
FLIGHT MANEUVERING LOAD FACTORS
FLAPS UP..... +3.8, -1.52
FLAPS DOWN..... +3.5
MAXIMUM DESIGN WEIGHT... 2800 LBS.
REFERENCE WEIGHT AND BALANCE DATA FOR LOADING INSTRUCTIONS.

ENGINE OIL
AIRTEMP.....GRADE
BELOW 40°F...SAE 30
ABOVE 40°F...SAE 50
TIRE PRESSURE
MAIN.....28PSI
NOSEWHEEL....35PSI

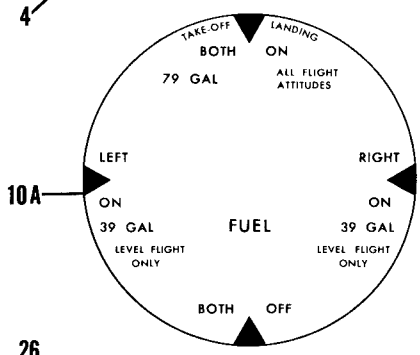
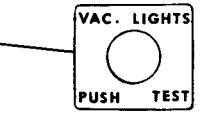
MAP LIGHT

FINISH & TRIM

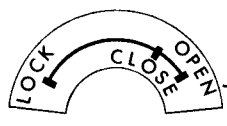
BOTH TANKS ON FOR TAKEOFF & LANDING



WHEN WINTERIZATION KIT IS INSTALLED, IT MUST BE REMOVED WHEN OUTSIDE AIR TEMP. IS ABOVE 20°F.



ALTERNATE STATIC AIR
← CLOSED OPEN →



CAUTION 12 VOLTS D.C. THIS AIRCRAFT IS EQUIPPED WITH ALTERNATOR AND A NEGATIVE GROUND SYSTEM. OBSERVE PROPER POLARITY REVERSE POLARITY WILL DAMAGE ELECTRICAL COMPONENTS. P/N 1221325-1

ENGINE OIL
ABOVE 40°F USE SAE 50 - BELOW 40°F USE SAE 30
OIL CHANGED: TACH HOURS [] DATE []
OIL USED: []
*DETERGENT [] NON-DETERGENT []
*MUST COMPLY WITH CONTINENTAL SPEC. MMS-24. CESSNA DEALERS HAVE LIST OF APPROVED OILS.

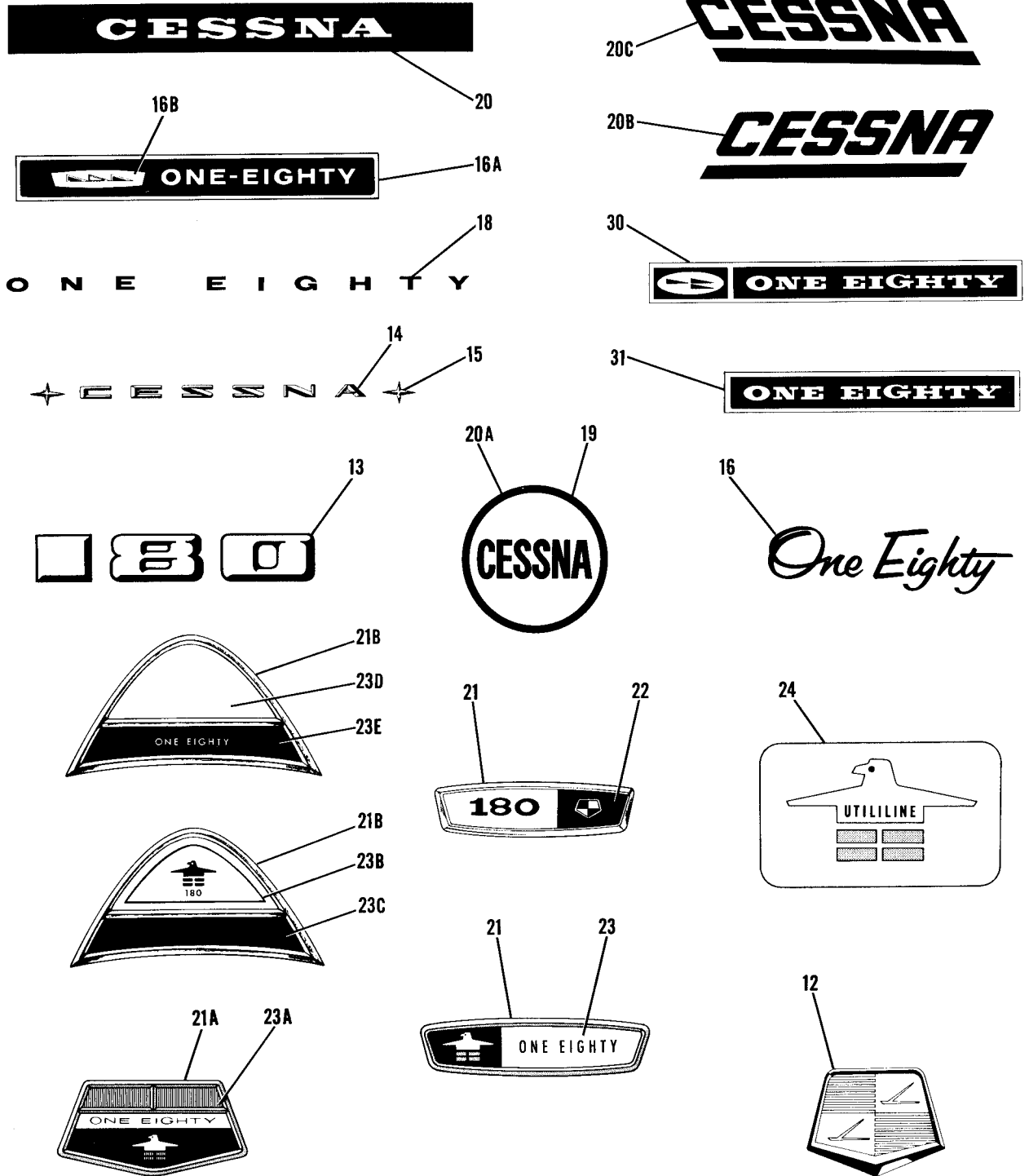
CESSNA PART NO 1220400-1
ELEMENT NO 1220400-2
CHANGE OIL & FILTER ELEMENT EVERY 30 HOURS
100QUO 15.88 LBS
ADD 1/2 ADDITIONAL QT OF ENGINE OIL WITH INSTALLATION OF THIS FILTER & AT EACH ELEMENT CHANGE

TO FILL TANKS TO MAX. CAPACITY USE OUTBOARD FILLERS

SERIAL 18051184 THRU 18051993

Figure 2A. (Sheet 1 of 2) Placards, Nameplates & Exterior Markings

Placards (Cont)



SERIAL 18051184 THRU 18051993

Figure 2A. (Sheet 2 of 2) Placards, Nameplates & Exterior Markings

This page intentionally left blank.



FIGURE AND INDEX NO.	PART NUMBER	DESCRIPTION	UNITS	USABLE
			PER ASSY	ON CODE
		1 2 3 4 5 6 7		
2A-		PLACARDS, NAMEPLATES & EXTERIOR MARKINGS	NP	A
- 1	0713207-1	PLACARD-OPERATIONAL LIMITATIONS	1	B
	0713233-1	PLACARD-OPERATIONAL LIMITATIONS	1	R
	S1656-6	PLACARD-OPERATIONAL LIMITATIONS	1	Q
- 2	0512166-3	PLACARD-BAGGAGE & OR AUXILIARY PASSENGER	1	B
- 2A	0713224-1	PLACARD-BAGGAGE LOAD LIMITS WHEN EXHAUSTED USE 1205015-1	1	C
- 3	0713210-4	PLACARD-MAP LIGHT	1	S
- 4	0511168	PLACARD-FUEL SELECTOR BOTH TANKS ON	1	
- 5	0713210-11	PLACARD-TIRE & OIL PRESSURE	1	B
- 6	0713705-4	PLACARD-VACUUM LIGHTS TEST	1	
- 7		DELETED, NOT AVAILABLE		
- 8	0713047	PLACARD-FINISH & TRIM	1	
- 9	0510191	PLACARD-FLAP INSTRUCTIONS WHEN EXHAUSTED USE 0705004-1	1	
-10	S1286-3	PLATE ASSEMBLY-FUEL SELECTOR 60 GAL BLACK	1	
	S1286-1	PLATE ASSEMBLY-FUEL SELECTOR 60 GAL BROWN	1	
	S1286-4	PLATE ASSEMBLY-FUEL SELECTOR 79 GAL BLACK	1	
-10A	S1286-2	PLATE ASSEMBLY-FUEL SELECTOR 79 GAL BROWN	1	
-11	0700319-13	PLACARD-WINTERIZATION	1	
-12	0700053-1	PLACARD-TAIL & FUSELAGE	2	B
	0700029-1	INSIGNIA	2	D
-13	0500091-5	PLACARD-180	2	B
-14	0500085-1	NAMEPLATE-CESSNA	2	B
-15	0500085-2	PLACARD-STAR	4	B
-16	0700720-1	PLACARD	1	E
-16A	0700750-1	PLACARD	2	J
-16B	0500125-1	PLATE	2	J
	0700748-1	PLACARD	2	J
-17	S1397-1	PLACARD-ENGINE OIL	1	M
	S1397-4	PLACARD-ENGINE OIL	1	K
-18	0700128-2	LETTERING ONE EIGHTY	2	D
-19	1400014-1	NAMEPLATE CESSNA	2	D
-20	0500248-1	NAMEPLATE-CESSNA	2	N
-20A	0400135-1	NAMEPLATE-CESSNA	2	J
-20B	1205010-1	NAMEPLATE-LH CESSNA	1	Q
-20C	1205010-2	NAMEPLATE-RH CESSNA	1	Q
-21	0500125-1	PLATE-CONTROL WHEEL INSIGNIA	1	F
-21A	0500125-44	PLATE-CONTROL WHEEL INSIGNIA	1	J
-21B	0700742-1	PLATE-CONTROL WHEEL INSIGNIA	1	K
-22	0500125-8	INSIGNIA-CONTROL WHEEL	1	D
-23	0700154-1	INSIGNIA-CONTROL WHEEL	1	E
-23A	0700739-1	INSIGNIA-CONTROL WHEEL	1	J
-23B	0700174-1	PLACARD-CONTROL WHEEL	1	P
-23C	0700745-1	EMBLEM-CONTROL WHEEL	1	P
-23D	0700197-1	PLACARD-CONTROL WHEEL	1	Q
-23E	0713255-5	EMBLEM-CONTROL WHEEL	1	Q
-24	0700151-1	PLACARD	2	E
	1200713-1	PLACARD	2	J
-25	1250410-3	PLACARD-OIL FILTER	1	H
-26	1200678-2	PLACARD-ALTERNATE STATIC SOURCE WHEN EXHAUSTED USE 0505005-1	1	G
-27	0700166-1	PLACARD-DOOR HANDLE LH	1	G
	0700166-2	PLACARD-DOOR HANDLE RH	1	K
-28	1213535-1	PLACARD-BATTERY BOX WHEN EXHAUSTED USE 1205024-1	1	G
-29	0721205-1	PLACARD-WING	2	L
-30	0700173-2	PLACARD	2	P
-31	1205013-4	PLACARD	2	Q
	S1500	STENCILS-SLANT LETTERS & NUMERALS SEE SHT 1 & 2 FIG 2B	AR	AR
	S1600	STENCILS-VERTICAL LETTERS & NUMERALS SEE SHEETS 1 & 2 FIG 2B	AR	AR
		A---SERIAL 18051184 THRU 18051993		
		B---SERIAL 18051184 THRU 18051312		
		C---SERIAL 18051313 THRU 18051993		
		D---SERIAL 18051313 THRU 18051445		
		E---SERIAL 18051446 THRU 18051607		
		F---SERIAL 18051313 THRU 18051607		
		G---SERIAL 18051608 THRU 18051993		
		H---SERIAL 18051604 THRU 18051993		
		J---SERIAL 18051608 THRU 18051774		
		K---SERIAL 18051775 THRU 18051993		
		L---SERIAL 18051640 THRU 18051993		
		M---SERIAL 18051313 THRU 18051774		
		N---SERIAL 18051446 THRU 18051607, 18051775 THRU 18051875		
		P---SERIAL 18051775 THRU 18051875		
		Q---SERIAL 18051876 THRU 18051993		
		R---SERIAL 18051313 THRU 18051875		
		S---SERIAL 18051184 THRU 18051445		

Placards (Cont)

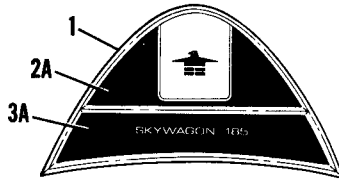
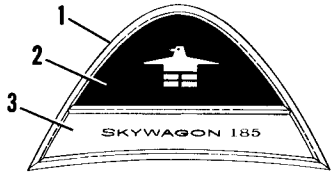
***ABCDEFGHIJKLMN
OPQRSTUVWXYZ
-1234567890***

**ABCDEFGHIJKLMN
OPQRSTUVWXYZ
-1234567890**

**ABCDEFGHIJKLMN
OPQRSTUVWXYZ
-1234567890**

Figure 2B. (Sheet 1 of 4) Placards, Nameplates & Exterior Markings

Placards (Cont)



4

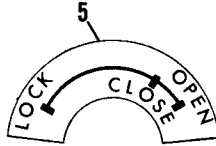
This airplane must be operated as a normal category airplane in compliance with the operating limitations as stated in the form of placards, instructions and manuals.

MAXIMUMS			
	Landplane	Amphibian	Floatplane
MANEUVERING SPEED (CAS)	139 mph (121 kts)	139 mph (121 kts)	139 mph (121 kts)
GROSS WEIGHT	3350 lbs. (1520 kg)	3100 lbs. (1407 kg)	3320 lbs. (1506 kg)
	3285 lbs. (1490 kg)	3100 lbs. (1407 kg)	3320 lbs. (1506 kg)
ALT LOSS IN STALL RECOVERY	150 ft.	150 ft.	130 ft.
FLIGHT LOAD FACTOR	Flaps Up +3.0, -1.52 Flaps Down +2.5		

Avoid side slips with flaps extended on amphibian or floatplane. No aerobatic maneuvers, including spins, approved. Known icing conditions to be avoided. This airplane is certified for the following flight operations as of date of original airworthiness certificate.

DAY NIGHT VFR

1205001-59



7

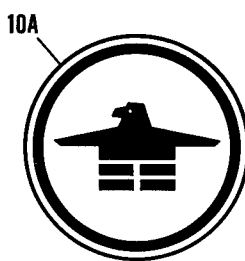
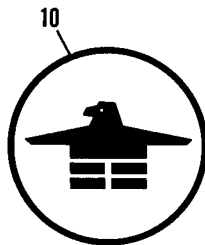
Skywagon 185



9

	FUEL FLOWS AT FULL THROTTLE	
	2850 RPM	2700 RPM
S.L.	24	23
4000 FT	22	21
8000 FT	20	19

1705016-01



11

CESSNA

12

CESSNA

13

	FLAPS - PULL TO EXTEND	
	RETRACTED	EXTENDED
TAKE-OFF	1st NOTCH	10"
LANDING	2nd NOTCH	20"
	3rd NOTCH	30"
	4th NOTCH	40"

14

REFER TO WEIGHT & BALANCE DATA FOR BAGGAGE/CARGO LOADING

12A

CESSNA

15

CAUTION 12 VOLTS D.C.
THIS AIRCRAFT IS EQUIPPED WITH ALTERNATOR AND A NEGATIVE GROUND SYSTEM. OBSERVE PROPER POLARITY. REVERSE POLARITY WILL DAMAGE ELECTRICAL COMPONENTS.

16

ALTERNATE STATIC AIR
→ CLOSED OPEN →

17

BOTH ON 39 GALS
USE BOTH TANKS FOR TAKE OFF & LANDING

LEFT TANK	RIGHT TANK
29.5 GALS	29.5 GALS

18

BOTH ON 78 GALS
USE BOTH TANKS FOR TAKE OFF & LANDING

LEFT TANK	RIGHT TANK
39 GALS	39 GALS

19

FINISH & TRIM

20

ENGINE OIL

ABOVE 40°F USE SAE 50 - BELOW 40°F USE SAE 30

OIL CHANGED: TACH. HOURS DATE

OIL USED:

*DETERGENT NON-DETERGENT

MUST COMPLY WITH CONTINENTAL SPEC. 445-24
CESSNA SEWERS HAVE USE OF APPROVED OILS.

21

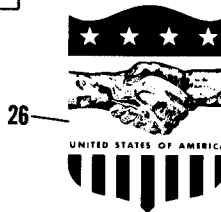
CESSNA PART NO. 125040-1
REPLACEMENT NO. 125040-2
CHANGE OIL & FILTER ELEMENT EVERY 50 HOURS
TOP OIL 13 18 21 185
ADD 1/2 ADDITIONAL QT OF ENGINE OIL WITH INSTALLATION OF THIS FILTER & AT EACH REPLACEMENT CHANGE

22

TO FILL TANKS TO MAX. CAPACITY USE OUTBOARD FILLERS

23

AVOID SLIPS WITH FLAPS DOWN



28

FUEL VALVE
81 GAL. USABLE
PUSH ON
0705019-4

24

DO NOT TURN OFF ALTERNATOR IN FLIGHT EXCEPT IN EMERGENCY

27

FUEL VALVE
81 GALS USABLE

29

WARNING
TURN OFF STROBE LIGHTS WHEN TAXIING IN VICINITY OF OTHER AIRCRAFT OR DURING FLIGHT THROUGH CLOUDS, FOG OR HAZE

SERIAL 185-1448 & ON

Figure 2B. (Sheet 3 of 4) Placards, Nameplates & Exterior Markings

FIGURE AND INDEX NO.	PART NUMBER	DESCRIPTION	UNITS PER ASSY	USABLE ON CODE
		1 2 3 4 5 6 7		
2B-		PLACARDS, NAMEPLATES & EXTERIOR MARKINGS -----	NP	A
- 1	0700742-1	PLATE-CONTROL WHEEL PLACARD -----	1	R
- 2	1205030-7	PLACARD-CONTROL WHEEL -----	1	B
- 2A	0705015-1	PLACARD-CONTROL WHEEL -----	1	C
- 2B	0705029-1	PLACARD-CONTROL WHEEL AG CARRYALL -----	1	Q
- 3	1205030-17	EMBLEM-CONTROL WHEEL -----	1	B
- 3A	0705015-3	EMBLEM-CONTROL WHEEL -----	1	C
- 3B	0705029-2	EMBLEM-CONTROL WHEEL AG CARRYALL -----	1	Q
- 4	1205001-59	PLACARD-OPERATIONAL LIMITATIONS VFR ONLY -----	1	R
	1205001-60	PLACARD-OPERATIONAL LIMITATIONS VFR & IFR -----	1	R
- 5	0700166-1	PLACARD-DOOR HANDLE LH -----	1	B
	0700166-2	PLACARD-DOOR HANDLE RH -----	1	B
- 6	1205013-15	NAMEPLATE-SKYWAGON 185 -----	2	B
- 7	1505015-17	NAMEPLATE-SKYWAGON 185 -----	2	C
	1505015-31	NAMEPLATE-SKYWAGON 185 REVERSE ALASKAIN AIRCRAFT -----	2	C
- 8	0505009-2	PLACARD-WINTERIZATION -----	1	
- 9	0705005-1	PLACARD-FUEL FLOW -----	1	R
	0705005-2	PLACARD-FUEL FLOW -----	1	N
-10	0705006-1	PLACARD-UTILILINE LH -----	1	B
	0705006-2	PLACARD UTILILINE RH -----	1	B
-10A	0705014-1	PLACARD UTILILINE LH -----	1	C
	0705014-2	PLACARD UTILILINE RH -----	1	C
-11	1205010-3	NAMEPLATE LH -----	1	B
-12	1205010-4	NAMEPLATE RH -----	1	B
-12A	1505014-1	NAMEPLATE-CESSNA -----	2	C
	1505014-2	NAMEPLATE-CESSNA REVERSE ALASKAIN AIRCRAFT -----	2	C
-13	0705004-1	PLACARD-FLAP INSTRUCTIONS -----	1	
-14	1205015-1	PLACARD-BAGGAGE LOAD LIMIT -----	1	
-15	1205024-1	PLACARD-BATTERY BOX -----	1	
-16	0505005-1	PLACARD-ALTERNATE STATIC AIR -----	1	K
	0705021-2	PLACARD-ALTERNATE STATIC AIR -----	1	F
-17	0716113-1	PLACARD-FUEL VALVE -----	1	
-18	0716113-2	PLACARD-FUEL VALVE -----	1	
-19	0713147	PLACARD-FINISH & TRIM -----	1	
-20	S1397-4	PLACARD-ENGINE OIL -----	1	
-21	1250410-3	PLACARD-OIL FILTER -----	1	
-22	0721205-1	PLACARD-WING -----	2	
-23	0510188	PLACARD-FLAP LEVER USED ON FLOATPLANE & AMPHIBIAN ONLY --	1	
-24	0505020-2	PLACARD-MASTER SWITCH -----	1	C
-25	S1714-1	PLACARD-ALLIANCE FOR PROGRESS -----	1	
-26	S1713-1	PLACARD-HANDS OF FRIENDSHIP -----	1	
-27	0716135-1	PLACARD-FUEL -----	1	D
-28	0705019-1	PLACARD-FUEL 59 GAL STD RANGE TANK & SELECTOR -----	1	E
	0705019-2	PLACARD-FUEL 62 GAL STD RANGE TANK W/O SELECTOR -----	1	E
	0705019-3	PLACARD-FUEL 78 GAL EXT RANGE TANK & SELECTOR -----	1	E
	0705019-4	PLACARD-FUEL 81 GAL EXT RANGE TANK W/O SELECTOR -----	1	S
-29	C622003-0103	PLACARD-STROBE LIGHT -----	1	T
	C622003-0105	PLACARD-STROBE LIGHT -----	1	N

CONTINUED ON NEXT PAGE

Placards (Cont)

OXYGEN REFILL
0705022-1

120 POUNDS MAXIMUM
AUXILIARY SEAT PASSENGER
FOR ADDITIONAL LOADING INSTRUCTIONS
SEE WEIGHT & BALANCE DATA
0705214-1

SERVICE THIS AIRPLANE WITH 100/130 MIN.
AVIATION GRADE GASOLINE - CAPACITY 32.5 GAL.
0705012-1

THIS PLATE
NOT TO BE USED
WHEN TEMPERATURE
EXCEEDS +20°F

EMERGENCY LOCATOR TRANSMITTER
INSTALLED AFT OF THIS PARTITION.
MUST BE SERVICED IN ACCORDANCE
WITH FAR PART 91.52
1205085-1

MAXIMUM SPEED WITH SPRAY BOOMS
INSTALLED IS 150 MPH (130 KNOTS).
0705030-1

THIS AIRCRAFT IS NOT CERTIFICATED
FOR NORMAL CATEGORY OPERATIONS
WITH EITHER SPRAY BOOMS INSTALLED
OR WITH MATERIAL IN THE SPRAY TANK
0705030-2

RESTRICTED

TANK CAPACITY
151 GALLONS

CARRYALL

CESSNA

CESSNA

SKYWAGON 185

WINTERIZATION KIT MUST BE REMOVED
WHEN OUTSIDE AIR TEMPERATURE IS
ABOVE 20° F.
0505009-3

MAXIMUMS

	Amphibian	Floatplane
MANEUVERING SPEED (IAS)	135 mph (117 knt)	133 mph (115 knt)
GROSS WEIGHT	3500 lbs.	3100 lbs. (water)
FLIGHT LOAD FACTOR	3.00	2.00

FLIGHT LOAD FACTOR: Flaps Up +3.8, -1.52 Flaps Down 2.0

Avoid slips with flaps extended on amphibian or floatplane. No aerobatic maneuvers, including spins, approved. Although flap stall recovery is 200 feet. Flight into known icing conditions prohibited. This certificate is valid for the following flight operations as of date of original airworthiness certificate: DAY - NIGHT - VFR - IFR

↑ HI ← LO
MAP LIGHT
RHEOSTAT
0705028-1

**WHEN SWITCHING FROM
DRY TANK TURN PUMP
ON "HI" MOMENTARILY**

TIRE PRESSURE

MAIN GEAR
36 PSI 6.00x6
26 PSI 8.00x6

TAIL WHEEL
55-70 PSI MAX 4 PLY RATED
0705034-2

**SKYWAGON 185
CHECK LIST**

BEFORE TAKE-OFF

1. Controls - FREE AND CORRECT
2. Elevator & rudder trim - SET
3. Fuel shutoff - ON
4. Fuel selector - BOTH ON (if installed)
5. Flaps - 0° TO 20°
6. Propeller - HIGH RPM
7. Mixture - AS REQUIRED
8. Cowl Flaps - OPEN
9. Instruments - CHECK & SET
10. Seats & belts - SECURE

BEFORE LANDING

1. Fuel selector - BOTH ON (if installed)
2. Mixture - RICH
3. Propeller - HIGH RPM
4. Airspeed - 80 MPH FLAPS UP
80 MPH FLAPS DOWN
(0185P) 0705022-2

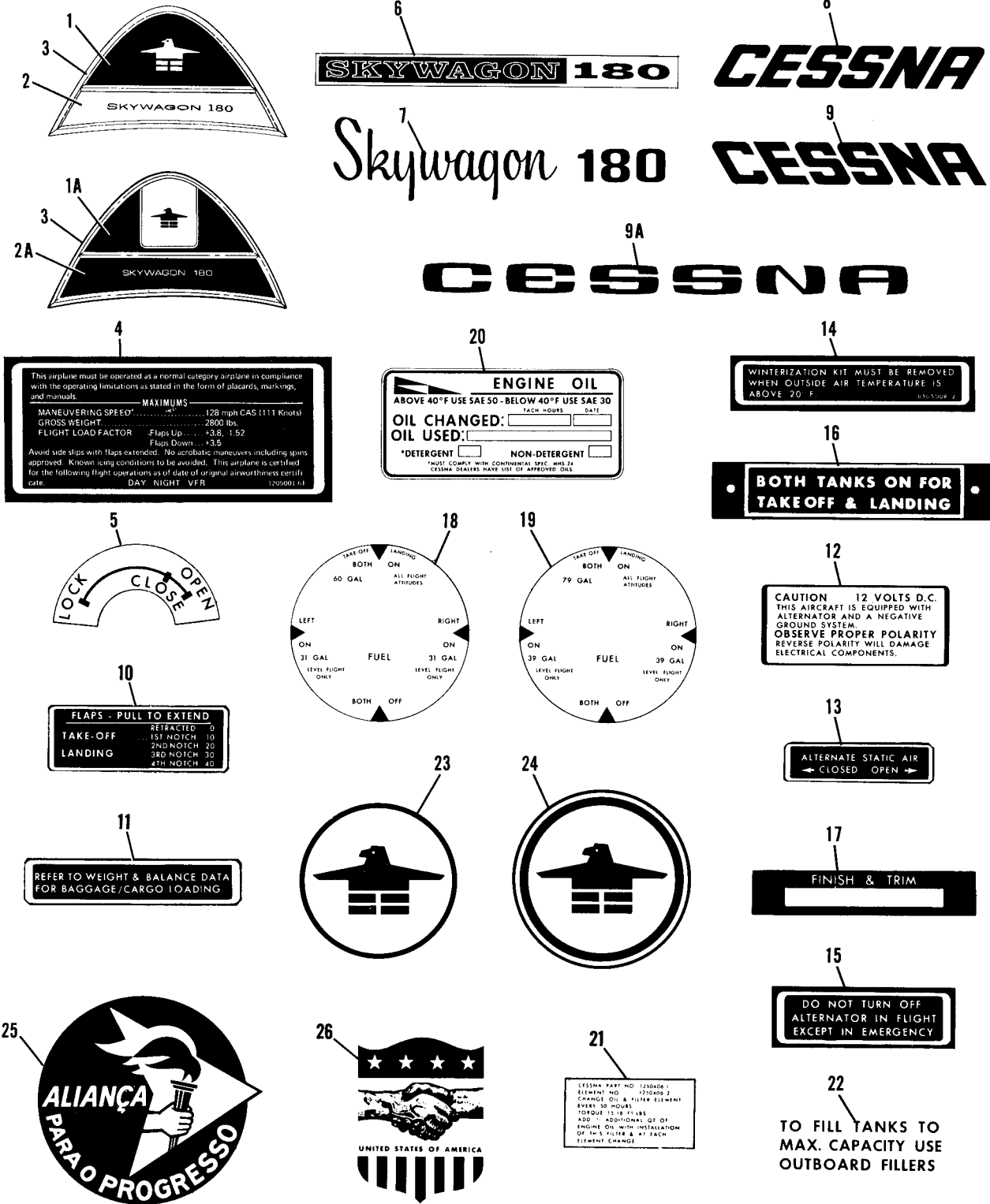
SERIAL 185-1448 & ON

Figure 2B. (Sheet 4 of 4) Placards, Nameplates & Exterior Markings



FIGURE AND INDEX NO.	PART NUMBER	DESCRIPTION	UNITS PER ASSY	USABLE ON CODE
2B-30	0705022-1	PLACARD-OXYGEN -----	1	G
-31	0700214-1	PLACARD-AUXILIARY SEAT -----	1	H
-32	0705023-4	PLACARD-FUEL FILL 32.5 GAL 185 STD RANGE -----	AR	
	0705023-5	PLACARD-FUEL FILL 37.0 GAL 185 EXT RANGE INBOARD -----	AR	
	0705023-6	PLACARD-FUEL FILL 42.0 GAL 185 EXT RANGE OUTBOARD -----	AR	
-33	1205043-1	PLACARD-WINTERIZATION -----	2	
-34	1205085-1	PLACARD-EMERGENCY LOCATOR TRANSMITTER -----	1	L
-35	0705030-1	PLACARD-MAXIMUM SPEED AG CARRYALL -----	1	J
-36	0705030-2	PLACARD-CERTIFICATION AG CARRYALL -----	1	J
-37	0705031-1	PLACARD-RESTRICTED AG CARRYALL -----	2	J
-38	1605029-1	PLACARD-SPRAY TANK AG CARRYALL -----	1	J
-39	1605022-3	PLACARD-AG CARRYALL -----	2	J
-40	1605034-1	PLACARD-AG CARRYALL -----	2	J
-41	0405020-1	PLACARD-WING -----	2	M
-42	0705033-2	PLACARD-SKYWAGON 185 -----	2	N
-43	1205088-1	PLACARD-CONTROL WHEEL AG CARRYALL -----	1	P
-44	1205088-16	PLACARD-CONTROL WHEEL -----	1	N
-45	1205001-160	PLACARD-OPERATIONAL LIMITATIONS VFR ONLY -----	1	N
	1205001-161	PLACARD-OPERATIONAL LIMITATIONS VFR & IFR -----	1	N
-46	0505009-3	PLACARD-WINTERIZATION -----	1	N
-47	0705028-1	PLACARD-MAPLIGHT -----	1	N
-48	0716132-1	PLACARD-FUEL -----	1	R
	1205047-1	PLACARD-FUEL -----	1	N
-49	0705034-2	PLACARD-TIRE PRESSURE -----	1	N
-50	0705032-2	PLACARD-PILOTS CHECK LIST -----	1	N
-51	0400213-6	PLACARD-COMPASS CORRECTION -----	1	N
	3690	TAPE-VINYL BULK ITEM SEE FIG 1 -----	AR	
	S1500	STENCILS-SLANT LETTERS & NUMERALS SEE SHEETS 1&2 -----	AR	
	S1600	STENCILS-VERTICAL LETTERS & NUMERALS SEE SHEETS 1&2 -----	AR	
		A---SERIAL 185-1448 & ON		
		B---SERIAL 185-1448 THRU 185-1599		
		C---SERIAL 18501600 THRU 18502090		
		D---SERIAL 185-1448 THRU 18501679		
		E---SERIAL 18501680 & ON		
		F---SERIAL 18501833 & ON		
		G---SERIAL 18501818 THRU 18502090		
		H---SERIAL 18501872 & ON		
		J---SERIAL 18501935 & ON AG CARRYALL		
		K---SERIAL 185-1448 THRU 18501832		
		L---SERIAL 18501935 & ON		
		M---SERIAL 18501935 & ON AG CARRYALL		
		SERIAL 18502091 & ON		
		N---SERIAL 18502091 & ON		
		P---SERIAL 18502091 & ON AG CARRYALL		
		Q---SERIAL 18501935 THRU 18502090 AG CARRYALL		
		R---SERIAL 185-1448 THRU 18502090		
		S---SERIAL 18501680 THRU 18502090		
		T---SERIAL 18501833 THRU 18502090		

Placards (Cont)



SERIAL 18051994 & ON

Figure 2C. (Sheet 1 of 2) Placards, Nameplates & Exterior Markings

FIGURE AND INDEX NO.	PART NUMBER	DESCRIPTION	UNITS PER ASSY	USABLE ON CODE
		1 2 3 4 5 6 7		
2C-		PLACARDS, NAMEPLATES & EXTERIOR MARKINGS -----	NP	A
- 1	1205030-7	PLACARD-CONTROL WHEEL -----	1	B
- 1A	0705015-1	PLACARD-CONTROL WHEEL -----	1	C
- 2	1205030-16	EMBLEM-CONTROL WHEEL -----	1	B
- 2A	0705015-2	EMBLEM-CONTROL WHEEL -----	1	C
- 3	0700742-1	PLATE-CONTROL WHEEL -----	1	H
- 4	1205001-61	PLACARD-OPERATIONAL LIMITATIONS VFR ONLY -----	1	H
	1205001-62	PLACARD-OPERATIONAL LIMITATIONS VFR & IFR -----	1	H
- 5	0700166-1	PLACARD-DOOR HANDLE LH -----	1	B
	0700166-2	PLACARD-DOOR HANDLE RH -----	1	B
- 6	1205013-14	NAMEPLATE-SKYWAGON 180 -----	2	B
- 7	1505015-16	NAMEPLATE-SKYWAGON 180 -----	2	C
	1505015-30	NAMEPLATE-SKYWAGON 180 REVERSE ALASKAIN AIRCRAFT -----	2	C
- 8	1205010-3	NAMEPLATE-LH -----	1	B
- 9	1205010-4	NAMEPLATE-RH -----	1	B
- 9A	1505014-1	NAMEPLATE-CESSNA -----	2	C
	1505014-2	NAMEPLATE-CESSNA REVERSE ALASKAIN AIRCRAFT -----	2	C
-10	0705004-1	PLACARD-FLAP INSTRUCTION -----	1	
-11	1205015-1	PLACARD-BAGGAGE LOAD LIMIT -----	1	
-12	1205024-1	PLACARD-BATTERY BOX -----	1	
-13	0505005-1	PLACARD-ALTERNATE STATIC SOURCE -----	1	K
	0705021-2	PLACARD-ALTERNATE STATIC SOURCE -----	1	D
-14	0505009-2	PLACARD-WINTERIZATION -----	1	
-15	0505020-2	PLACARD-MASTER SWITCH -----	1	C
-16	0511168	PLACARD-FUEL SELECTOR BOTH TANKS ON -----	1	H
-17	0713047	PLACARD-FINISH & TRIM -----	1	
-18	S1286-3	PLATE ASSEMBLY-FUEL SELECTOR 60 GAL -----	1	
-19	S1286-4	PLATE ASSEMBLY-FUEL SELECTOR 79 GAL -----	1	
-20	S1397-4	PLACARD-ENGINE OIL -----	1	
-21	1250410-3	PLACARD-OIL FILTER -----	1	
-22	0721205-1	PLACARD-WING -----	2	
-23	0705006-1	PLACARD-UTILILINE LH -----	1	B
	0705006-2	PLACARD-UTILILINE RH -----	1	B
-24	0705014-1	PLACARD-UTILILINE LH -----	1	C
	0705014-2	PLACARD-UTILILINE RH -----	1	C
-25	S1714-1	PLACARD-ALLIANCE FOR PROGRESS -----	1	
-26	S1713-1	PLACARD-HANDS OF FRIENDSHIP -----	1	

CONTINUED ON NEXT PAGE

Placards (Cont)

WARNING
TURN OFF STROBE LIGHTS WHEN TAXIING IN VICINITY OF OTHER AIRCRAFT OR DURING FLIGHT THROUGH CLOUDS, FOG OR HAZE.

27

OXYGEN REFILL
0705022-1

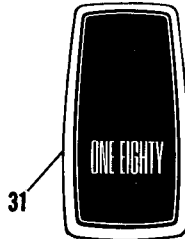
28

120 POUNDS MAXIMUM
AUXILIARY SEAT PASSENGER
FOR ADDITIONAL LOADING INSTRUCTIONS
SEE WEIGHT & BALANCE DATA 0705214-1

29

SERVICE THIS AIRPLANE WITH 80/87 MIN. AVIATION GRADE GASOLINE - CAPACITY 42.0 GAL. 0705022-1

30



31

This airplane must be operated as a normal category airplane in compliance with the operating limitations as stated in the form of markings, placards, and manuals.

MAXIMUMS		
	Amphibian	Floatplane
MANEUVERING SPEED (CAS)	Edo 597-2750 ... 123 mph (107 kts)	Edo 628-2960 ... 123 mph (107 kts)
GROSS WEIGHT	2950 lbs	2850 lbs
FLIGHT LOAD FACTOR	Flaps Up +3.8 -1.52	Flaps Down +2.0

Avoid stalls with flaps extended. No aerobatic maneuvers, including spins, approved. Altitude loss in stall recovery - 200 feet. Flight into known obstructions prohibited. This airplane is certified for the following flight operations as of the date of original airworthiness certificate.

DAY	VFR
	1766001-157

32

SKYWAGON 180

33

CESSNA

34

WINTERIZATION KIT MUST BE REMOVED WHEN OUTSIDE AIR TEMPERATURE IS ABOVE 20° F. 0305009-3

35

THIS PLATE NOT TO BE USED WHEN TEMPERATURE EXCEEDS +20°F

36

HI ← → LO
MAP LIGHT RHEOSTAT
0705028-1

37

SKYWAGON 180 CHECK LIST

BEFORE TAKE-OFF

1. Controls - FREE AND CORRECT
2. Elevator trim - TAKE-OFF
3. Fuel selector - BOTH ON
4. Flaps - 0° TO 20°
5. Carburetor heat - OFF
6. Propeller - HIGH RPM
7. Mixture - RICH
8. Cowl flaps - OPEN
9. Instruments - CHECK & SET
10. Seats & belts - SECURE

BEFORE LANDING

1. Fuel selector - BOTH ON
2. Mixture - RICH
3. Propeller - HIGH RPM
4. Carburetor heat - ON
5. Airspeed - 65 MPH FLAPS UP
75 MPH FLAPS DOWN

(180) 0705012-1

38

TIRE PRESSURE

MAIN GEAR
30 PSI 6.00x6
23 PSI 8.00x6

TAIL WHEEL
55-65 PSI MAX.... 4 PLY RATED

0705034-1

39

EMERGENCY LOCATOR TRANSMITTER INSTALLED AFT OF THIS PARTITION. MUST BE SERVICED IN ACCORDANCE WITH FAR PART 91.52 1205085-1

40



41



SERIAL 18051994 & ON

Figure 2C. (Sheet 2 of 2) Placards, Nameplates & Exterior Markings

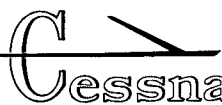
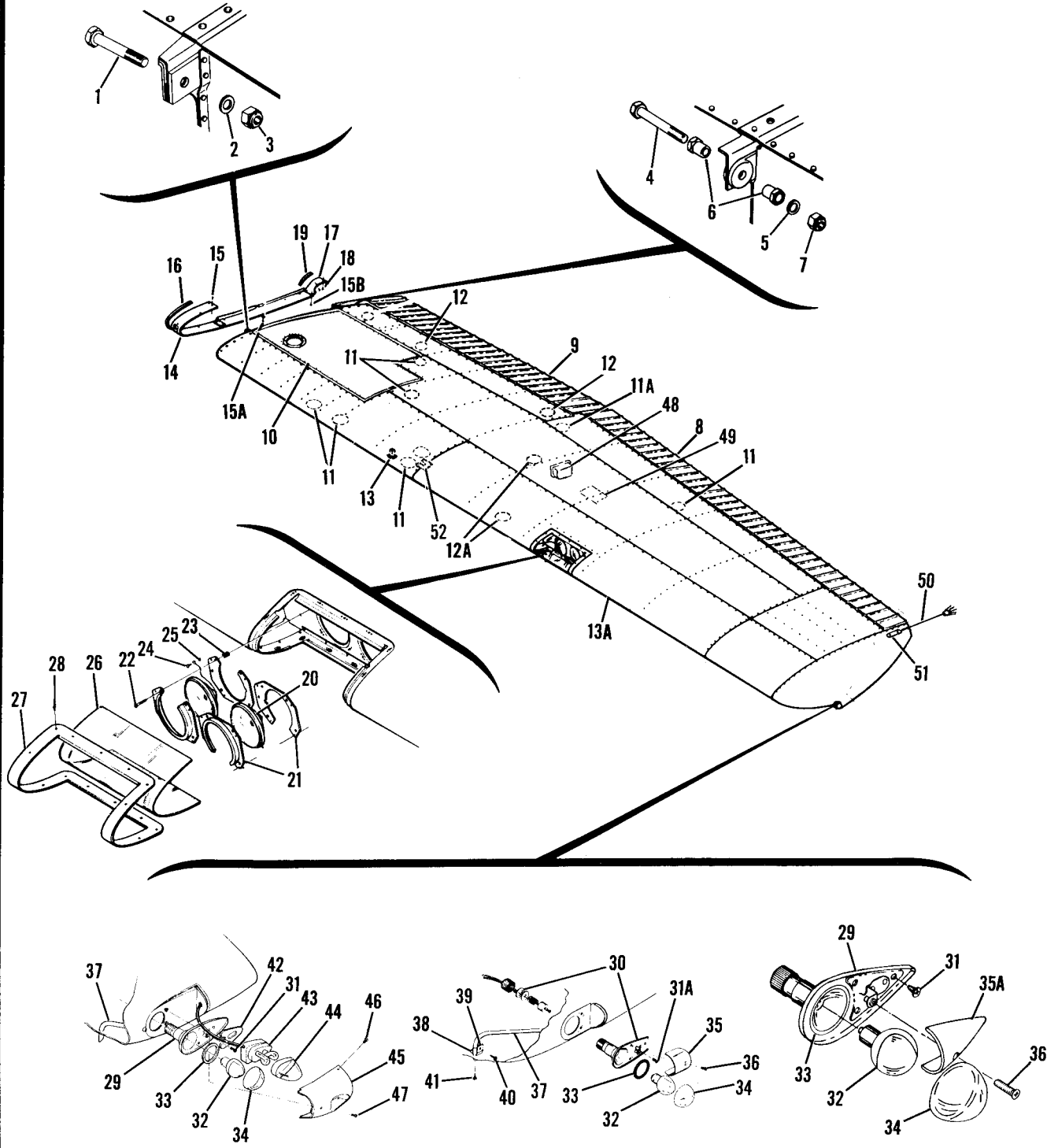


FIGURE AND INDEX NO.	PART NUMBER	DESCRIPTION	UNITS PER ASSY	USABLE ON CODE
2C-27	C622003-0103	PLACARD-STROBE LIGHT -----	1	J
	C622003-0105	PLACARD-STROBE LIGHT -----	1	G
-28	0705022-1	PLACARD-OXYGEN -----	1	E
-29	0700214-1	PLACARD-AUXILIARY SEAT -----	1	F
-30	0705023-1	PLACARD-FUEL FILL 32.5 GAL 180 STD RANGE -----	AR	
	0705023-2	PLACARD-FUEL FILL 42.0 GAL 180 EXT RANGE -----	AR	
	0705023-7	PLACARD-FUEL FILL 37.0 GAL 180 EXT RANGE FLOATPLANE -----	AR	
-31	1205088-15	PLACARD-CONTROL WHEEL -----	1	G
-32	1205001-157	PLACARD-OPERATIONAL LIMITATIONS DAY VFR ONLY -----	1	G
	1205001-158	PLACARD-OPERATIONAL LIMITATIONS DAY NIGHT VFR ONLY -----	1	G
	1205001-159	PLACARD-OPERATIONAL LIMITATIONS DAY NIGHT VFR & IFR -----	1	G
-33	0705033-1	PLACARD-SKYWAGON 180 -----	2	G
-34	0405020-1	PLACARD-WING -----	2	G
-35	0505009-3	PLACARD-WINTERIZATION -----	1	G
-36	1205043-1	PLACARD-WINTERIZATION -----	2	
-37	0705028-1	PLACARD-MAP LIGHT -----	1	G
-38	0705032-1	PLACARD-PILOTS CHECK LIST -----	1	G
-39	0705034-1	PLACARD-TIRE PRESSURE -----	1	G
-40	1205085-1	PLACARD-EMERGENCY LOCATOR TRANSMITTER -----	1	G
-41	0400213-6	PLACARD-COMPASS CORECTION -----	1	G
	3690	TAPE-VINYL BULK ITEM SEE FIG 1 -----	AR	
	S1500	STENCILS-SLANT LETTERS & NUMERALS SEE SHT 1&2 FIG 2B -----	AR	
	S1600	STENCILS-VERTICAL LETTERS & NUMERALS SEE -----	AR	
		SHEETS 1&2 FIG 2B		
		A---SERIAL 18051994 & ON		
		B---SERIAL 18051994 THRU 18052103		
		C---SERIAL 18052104 THRU 18052284		
		D---SERIAL 18052176 & ON		
		E---SERIAL 18052170 & ON		
		F---SERIAL 18052192 & ON		
		G---SERIAL 18052285 & ON		
		H---SERIAL 18051994 THRU 18052284		
		J---SERIAL 18052176 THRU 18052284		
		K---SERIAL 18051994 THRU 18052175		

Wing



SERIAL 18501833 & ON
SERIAL 18052176 & ON

SERIAL 185-0238 THRU 18501832
SERIAL 18051184 THRU 18052175

SERIAL 185-0001 THRU 185-0237

SERIAL 185-0001 THRU 18502090
SERIAL 18051184 THRU 18052284

Figure 3. Wing Assembly Complete



FIGURE AND INDEX NO.	PART NUMBER	DESCRIPTION							UNITS PER ASSY	USABLE ON CODE
		1	2	3	4	5	6	7		
3 -		WING ASSEMBLY-COMplete LH	-----	-----	-----	-----	-----	-----	NP	Z
		WING ASSEMBLY-COMplete LH	-----	EXTENDED RANGE	-----	-----	-----	-----	NP	Z
		WING ASSEMBLY-COMplete RH	-----	-----	-----	-----	-----	-----	NP	Z
		WING ASSEMBLY-COMplete RH	-----	EXTENDED RANGE	-----	-----	-----	-----	NP	Z
		ATTACHING PARTS	-----	-----	-----	-----	-----	-----		
- 1	AN8-23A	BOLT	-----	-----	-----	-----	-----	-----	1	
- 2	AN960-816	WASHER	-----	-----	-----	-----	-----	-----	3	
- 3	MS20365-820C	NUT	-----	-----	-----	-----	-----	-----	1	
- 4	AN7-24A	BOLT	-----	-----	-----	-----	-----	-----	1	
- 5	AN960-716	WASHER	-----	-----	-----	-----	-----	-----	3	
- 6	0512123	BUSHING	-----	-----	-----	-----	-----	-----	2	
- 7	MS20365-720C	NUT	-----	-----	-----	-----	-----	-----	1	
		-----*	-----	-----	-----	-----	-----	-----		
- 8		AILERON INSTALLATION	-----	SEE FIGURE 14	-----	-----	-----	-----	1	
- 9		FLAP INSTALLATION	-----	SEE FIGURE 15	-----	-----	-----	-----	1	
-10		TANK INSTALLATION	-----	SEE FIGURE 13	-----	-----	-----	-----	1	
-11	S225-4F	PLATE-INSPECTION	-----	-----	-----	-----	-----	-----	7	
	S225-4F	PLATE-INSPECTION	-----	-----	-----	-----	-----	-----	6	
-11A	S225-4F	PLATE-INSPECTION	-----	-----	-----	-----	-----	-----	1	H
	1222022-1	PLATE-COVER	-----	-----	-----	-----	-----	-----	1	J
		ATTACHING PARTS	-----	-----	-----	-----	-----	-----		
	S1022Z8-8	SCREW	-----	-----	-----	-----	-----	-----	6	H
	S1022Z8-6	SCREW	-----	-----	-----	-----	-----	-----	6	J
		-----*	-----	-----	-----	-----	-----	-----		
-12	S225-5	PLATE-INSPECTION	-----	-----	-----	-----	-----	-----	3	
		ATTACHING PARTS	-----	-----	-----	-----	-----	-----		
	S1021Z8-8	SCREW	-----	-----	-----	-----	-----	-----	6	
		-----*	-----	-----	-----	-----	-----	-----		
-12A	S225-4F	PLATE-INSPECTION	-----	-----	-----	-----	-----	-----	2	P
		ATTACHING PARTS	-----	-----	-----	-----	-----	-----		
	S1022Z8-8	SCREW	-----	-----	-----	-----	-----	-----	6	P
		-----*	-----	-----	-----	-----	-----	-----		
-13	0511062-4	WING UNIT-STALL WARNING	-----	LH WING ONLY	-----	-----	-----	-----	1	F
	0511062-11	WING UNIT-STALL WARNING	-----	LH WING ONLY	-----	-----	-----	-----	1	G
	0511062-5	WING UNIT-STALL WARNING HEATED	-----	LH WING ONLY	-----	-----	-----	-----	1	F
	0511062-12	WING UNIT-STALL WARNING HEATED	-----	LH WING ONLY	-----	-----	-----	-----	1	G
		ATTACHING PARTS	-----	-----	-----	-----	-----	-----		
	S1021Z8-6	SCREW	-----	-----	-----	-----	-----	-----	4	
	NAS395-17-3	NUT	-----	-----	-----	-----	-----	-----	4	
		-----*	-----	-----	-----	-----	-----	-----		
-13A		STRUCTURE ASSEMBLY-WING	-----	SEE FIGURE 4	-----	-----	-----	-----	1	A
		STRUCTURE ASSEMBLY-WING	-----	SEE FIGURE 5	-----	-----	-----	-----	1	B
		STRUCTURE ASSEMBLY-WING	-----	EXTENDED RANGE	-----	SEE FIGURE 6	-----	-----	1	
-14	0720002-11	FAIRING ASSEMBLY-LH	-----	-----	-----	-----	-----	-----	1	
	0720002-12	FAIRING ASSEMBLY-RH	-----	-----	-----	-----	-----	-----	1	
		ATTACHING PARTS	-----	-----	-----	-----	-----	-----		
-15	S1022Z8-8	SCREW	-----	-----	-----	-----	-----	-----	2	T
	AN507-832-6	SCREW	-----	-----	-----	-----	-----	-----	2	U
-15A	S1022Z8-8	SCREW	-----	-----	-----	-----	-----	-----	7	
	S290D832	WASHER	-----	-----	-----	-----	-----	-----	7	
-15B	S1021Z8-8	SCREW	-----	-----	-----	-----	-----	-----	2	
	NAS395-18-3	NUT	-----	-----	-----	-----	-----	-----	2	
		-----*	-----	-----	-----	-----	-----	-----		
-16	0520005-3	RUB STRIP	-----	-----	-----	-----	-----	-----	1	
-17	0520008	FAIRING ASSEMBLY LH	-----	-----	-----	-----	-----	-----	1	
	0520008-1	FAIRING ASSEMBLY RH	-----	-----	-----	-----	-----	-----	1	
		ATTACHING PARTS	-----	-----	-----	-----	-----	-----		
-18	S1021Z8-6	SCREW	-----	-----	-----	-----	-----	-----	1	
	S1022Z8-6	SCREW	-----	-----	-----	-----	-----	-----	1	
		-----*	-----	-----	-----	-----	-----	-----		
-19	S202RB	MOULDING-10.50 IN LG	-----	BULK ITEM	-----	REF S202R10.50B	-----	-----	AR	

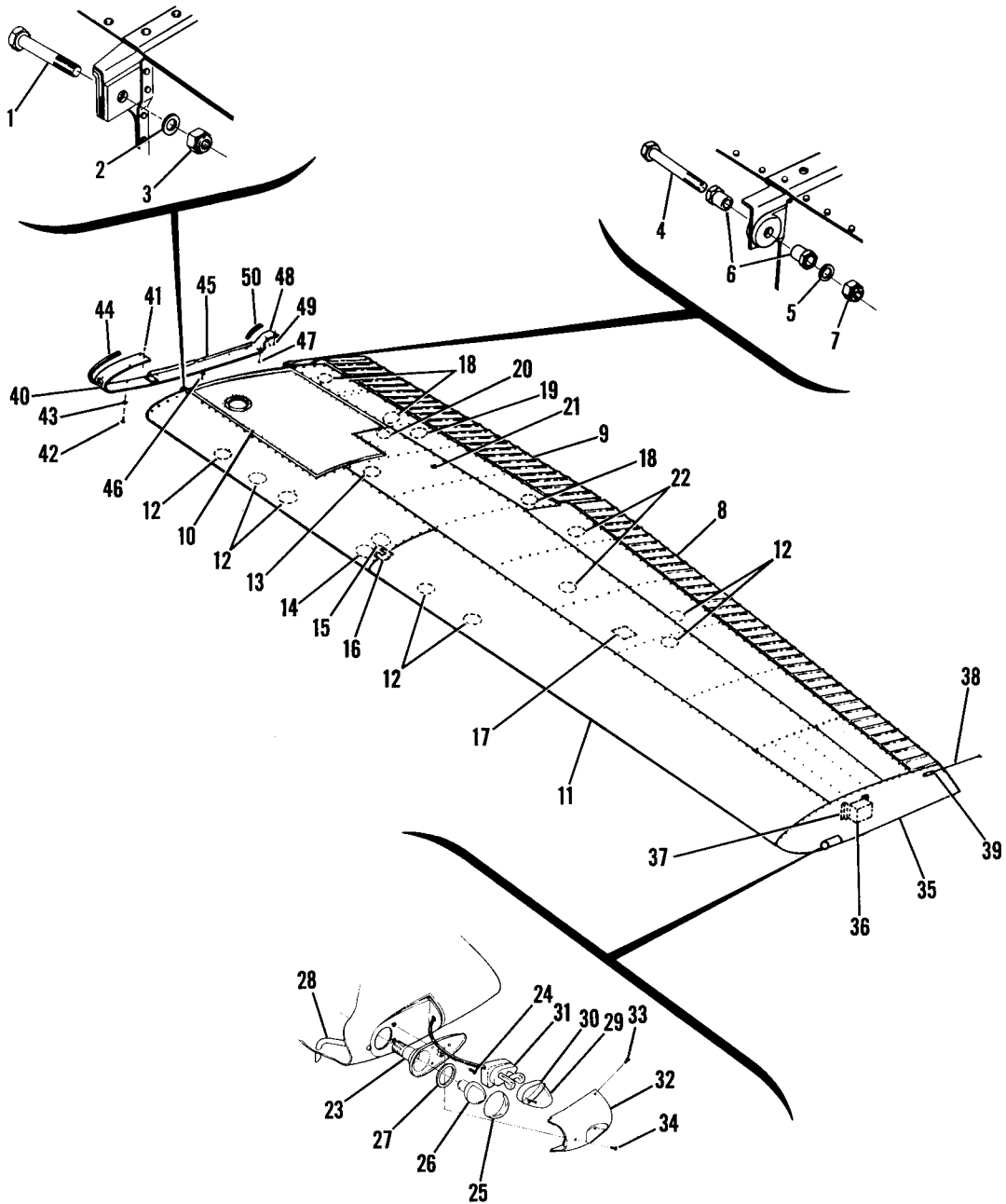
CONTINUED ON NEXT PAGE

FIGURE AND INDEX NO.	PART NUMBER	DESCRIPTION	UNITS PER ASSY	USABLE ON CODE
3 -20	0523118-1	LIGHT-LANDING LH WING ONLY ----- ATTACHING PARTS -----	2	
-21	0423542-6	BRACKET ASSEMBLY -----	2	
-22	AN515-8R24	SCREW -----	6	
-23	0713124-1	SPRING ----- *-----	6	
-24	AN515-8R7	SCREW-GROUNDING LH WING ONLY -----	1	
-25	NAS679A08	NUT-GROUNDING LH WING ONLY -----	1	
-26	0722100-4	WINDOW-LANDING LIGHT LH WING ONLY ----- ATTACHING PARTS -----	1	
-27	0722100-3	RETAINER-WINDOW -----	1	
-28	S1022Z8-8	SCREW ----- *-----	14	
-29	C622001-0201	BASE ASSEMBLY-WING POSITION -----	1	V
-30	C622001-0202	BASE ASSEMBLY-WING POSITION ----- ATTACHING PARTS -----	1	D
-31	S1021Z8-6	SCREW -----	3	C
-31A	S1021Z8-8	SCREW -----	2	L
	AN507-832R8	SCREW -----	2	M
	NAS446-4-3	NUT -----	2	L
	NAS1329A08K120	RIVNUT -----	2	M
-31B	AN507-632R8	SCREW ----- *-----	3	X
-32	A7512-12	BULB-NAVIGATION LIGHT 12 VOLT GMC -----	1	
-33	A1257A	GASKET-NAVIGATION LIGHT GMC -----	1	
-34	A1280-2	LENS-NAVIGATION LIGHT LH RED GMC -----	1	
	A1280-3	LENS-NAVIGATION LIGHT RH GREEN GMC -----	1	
-35	0423007-1	SHIELD-NAVIGATION LIGHT -----	1	Q
	0423564-1	SHIELD-NAVIGATION LIGHT LH -----	1	W
	0423564-2	SHIELD-NAVIGATION LIGHT RH -----	1	W
-35A	A1104	FAIRING-NAVIGATION LIGHT GMC ----- ATTACHING PARTS -----	1	C
-36	AN507-632R12	SCREW -----	1	R
	AN507-632R14	SCREW ----- *-----	1	W
-37	0523702-3	DETECTOR-NAVIGATION LIGHT LH -----	1	Q
	0523702-4	DETECTOR-NAVIGATION LIGHT RH -----	1	Q
	1221201-3	DETECTOR-NAVIGATION LIGHT LH -----	1	S
	1221201-4	DETECTOR-NAVIGATION LIGHT RH ----- ATTACHING PARTS -----	1	S
-38	S1153-1	BRACKET -----	1	Q
-39	MS21919DG4	CLAMP -----	1	Q
-40	S1021Z8-8	SCREW -----	1	Q
-41	S1021Z8-6	SCREW ----- *-----	1	Q
-42	1520006-1	SPACER-STROBE LIGHT -----	1	X
-43	C622003-0101	LIGHT-STROBE -----	1	X
-44	C622003-0104	LENS-STROBE LIGHT -----	1	X
-45	0523566-5	SHIELD-WING POSITION LIGHT LH WITH STROBE LIGHT -----	1	X
	0523566-6	SHIELD-WING POSITION LIGHT RH WITH STROBE LIGHT -----	1	X
	0523566-1	SHIELD-WING POSITION LIGHT LH W/O STROBE LIGHT -----	1	X
	0523566-2	SHIELD-WING POSITION LIGHT RH W/O STROBE LIGHT ----- ATTACHING PARTS -----	1	X
-46	AN507-632R8	SCREW -----	2	X
-47	AN507-632R14	SCREW ----- *-----	1	X

CONTINUED ON NEXT PAGE

FIGURE AND INDEX NO.	PART NUMBER	DESCRIPTION	UNITS PER ASSY	USABLE ON CODE
		1 2 3 4 5 6 7		
3 -48	C622004-0101	POWER SUPPLY-STROBE LIGHT RH WING ONLY ----- ATTACHING PARTS	1	Y
	AN3-3A	BOLT -----	4	Y
	AN960-10L	WASHER -----	4	Y
		*-----		
-49	1220094-2	COVER-ACCESS ----- ATTACHING PARTS	1	Y
	S1022Z8-8	SCREW -----	8	Y
		*-----		
-50	5169	STATIC DISCHARGER WHEN EXHAUSTED USE C5920001-0101 -----	2	E
	C592001-0101	STATIC DISCHARGER ----- ATTACHING PARTS	2	N
		*-----		
-51	S1021A8-8	SCREW -----	1	E
	S1021A6-8	SCREW -----	1	N
		*-----		
-52	0522101-1	COVERPLATE ----- ATTACHING PARTS	2	K
	S1021Z8-8	SCREW -----	2	K
		*-----		
NOTE. *DENOTES PARTS USED ON EXTENDED RANGE WING				
A---SERIAL 18051184 THRU 18051312				
B---SERIAL 185-0001 THRU 18502090				
SERIAL 18051313 THRU 18052284				
C---SERIAL 185-0001 THRU 185-0237				
D---SERIAL 185-0238 THRU 18501832				
SERIAL 18051184 THRU 18052175				
E---SERIAL 185-0777 THRU 185-1335				
SERIAL 18051446 THRU 18051906				
F---SERIAL 185-0001 THRU 185-0967				
SERIAL 18051184 THRU 18051607				
G---SERIAL 185-0968 THRU 185-1197 & 185-1200				
SERIAL 18051608 THRU 18051823				
H---SERIAL 185-0001 THRU 185-1300				
SERIAL 18051184 THRU 18051875				
J---SERIAL 185-1301 THRU 18502090				
SERIAL 18051876 THRU 18052284				
K---SERIAL 185-1274 THRU 18502090				
SERIAL 18051867 THRU 18052284				
L---SERIAL 185-0238 THRU 185-1149				
SERIAL 18051184 THRU 18051774				
M---SERIAL 185-1150 THRU 18501832				
SERIAL 18051775 THRU 18052175				
N---SERIAL 185-1336 THRU 18502090				
SERIAL 18051907 THRU 18052284				
P---SERIAL 185-1437 THRU 18502090 &				
AIRCRAFT EQUIPPED WITH WING LEVELER				
SERIAL 18051986 THRU 18052284 &				
AIRCRAFT EQUIPPED WITH WING LEVELER				
Q---SERIAL 185-0238 THRU 185-1599				
SERIAL 18051184 THRU 18052103				
R---SERIAL 185-0001 THRU 185-1599				
SERIAL 18051184 THRU 18052103				
S---SERIAL 18501600 THRU 18502090				
SERIAL 18052104 THRU 18052284				
T---SERIAL 185-0001 THRU 185-1565				
SERIAL 18051184 THRU 18052084				
U---SERIAL 185-1566 THRU 18502090				
SERIAL 18052085 THRU 18052284				
V---SERIAL 185-0001 THRU 185-0237 &				
18501833 THRU 18502090				
SERIAL 18052176 THRU 18052284				
W---SERIAL 18501600 THRU 18501832				
SERIAL 18052104 THRU 18052175				
X---SERIAL 18501833 THRU 18502090				
SERIAL 18052176 THRU 18052284				
Y---SERIAL 18501887 THRU 18502090				
SERIAL 18052206 THRU 18052284				
Z---SERIAL 185-0001 THRU 18502090				
SERIAL 18051184 THRU 18052284				

Wing (Cont)



SERIAL 18502091 & ON
SERIAL 18052285 & ON
Figure 3A. Wing Assembly Complete



FIGURE AND INDEX NO.	PART NUMBER	DESCRIPTION							UNITS PER ASSY	USABLE ON CODE
		1	2	3	4	5	6	7		
3A-		WING ASSEMBLY-COMplete LH	STANDARD RANGE	-----					NP	A
		WING ASSEMBLY-COMplete RH	STANDARD RANGE	-----					NP	A
		WING ASSEMBLY-COMplete LH	EXTENDED RANGE	-----					NP	A
		WING ASSEMBLY-COMplete RH	EXTENDED RANGE	-----					NP	A
		ATTACHING PARTS								
- 1	AN8-23A	BOLT	-----						1	
- 2	AN960-816	WASHER	-----						3	
- 3	MS20365-820C	NUT	-----						1	
- 4	AN7-24A	BOLT	-----						1	
- 5	AN960-716	WASHER	-----						3	
- 6	0512123	BUSHING	-----						2	
- 7	MS20365-720C	NUT	-----						1	
		-----*								
- 8		AILERON INSTALLATION	SEE FIGURE 14	-----					1	
- 9		FLAP INSTALLATION	SEE FIGURE 15	-----					1	
-10		TANK INSTALLATION	SEE FIGURE 13	-----					1	
-11		STRUCTURE ASSEMBLY-WING	SEE FIGURE 6A	-----					1	
-12	S225-2	PLATE-INSPECTION	-----						7	
-13	S225-2	PLATE-INSPECTION	STANDARD RANGE ONLY	-----					1	
		ATTACHING PARTS								
	S102278-8	SCREW	-----						3	
		-----*								
-14	0723605-8	PLATE ASSEMBLY-LH	-----						1	
	0723605-6	PLATE ASSEMBLY-RH	-----						1	
		ATTACHING PARTS								
	S102278-8	SCREW	-----						3	
		-----*								
-15	0723605-9	PLATE ASSEMBLY-LH	-----						1	
	0723605-7	PLATE ASSEMBLY-RH	-----						1	
		ATTACHING PARTS								
		SCREW	-----							
		-----*								
-16	0522101-1	PLATE-COVER	-----						1	
		ATTACHING PARTS								
	S102178-8	SCREW	-----						2	
		-----*								
-17	1220094-2	COVER-ACCESS	LH ONLY	-----					1	
		ATTACHING PARTS								
	S102278-8	SCREW	-----						8	
		-----*								
-18	S225-1	PLATE-INSPECTION	-----						3	
-19	S225-1	PLATE-INSPECTION	RH ONLY	-----					1	
		ATTACHING PARTS								
	S102178-8	SCREW	-----						3	
		-----*								
-20	1222012-1	PLATE-COVER	-----						1	
		ATTACHING PARTS								
	S102178-8	SCREW	-----						6	
		-----*								
-21	S1908-7	PLUG BUTTON	RH STANDARD RANGE ONLY	-----					2	
-22	1222022-1	PLATE-COVER	-----						2	
		ATTACHING PARTS								
	S102278-8	SCREW	-----						6	
		-----*								
-23	C622001-0201	BASE ASSEMBLY-WING POSITION	-----						1	
		ATTACHING PARTS								
-24	AN507-632R8	SCREW	-----						3	
		-----*								
-25	A1280-2	LENS-NAVIGATION LIGHT LH	RED	GMC	-----				1	
	A1280-3	LENS-NAVIGATION LIGHT RH	GREEN	GMC	-----				1	
-26	A7512-12	BULB-NAVIGATION LIGHT	12 VOLT	GMC	-----				1	
-27	A1257A	GASKET-NAVIGATION LIGHT	GMC	-----					1	
-28	1221201-3	DETECTOR-NAVIGATION LIGHT LH	-----						1	
	1221201-4	DETECTOR-NAVIGATION LIGHT RH	-----						1	
-29	C622006-0103	LENS-STROBE LIGHT	-----						1	
-30	C622006-0105	GASKET	-----						1	
-31	C622006-0102	STROBE TUBE ASSEMBLY	-----						1	

CONTINUED ON NEXT PAGE

FIGURE AND INDEX NO.	PART NUMBER	DESCRIPTION							UNITS PER ASSY	USABLE ON CODE
		1	2	3	4	5	6	7		
3A-32	0723201-3	SHIELD-WING LIGHT LH	WITH STROBE LIGHT CUTOUT	-----					1	
	0723201-4	SHIELD-WING LIGHT RH	WITH STROBE LIGHT CUTOUT	-----					1	
	0723201-1	SHIELD-WING LIGHT LH	W/O STROBE LIGHT CUTOUT	-----					1	
	0723201-2	SHIELD-WING LIGHT RH	W/O STROBE LIGHT CUTOUT	-----					1	
		ATTACHING PARTS								
-33	S1022Z8-8	SCREW	-----						2	
-34	AN507-632R12	SCREW	-----						1	

-35	0723200-5	TIP ASSEMBLY-WING LH	-----						1	
	0723200-6	TIP ASSEMBLY-WING RH	-----						1	
		ATTACHING PARTS								
	AN515-8R8	SCREW	-----						12	
	0723200-9	STIFFENER-UPPER LH	-----						1	
	0723200-10	STIFFENER-UPPER RH	-----						1	
	0723200-11	STIFFENER-LOWER LH	-----						1	
	0723200-12	STIFFENER-LOWER RH	-----						1	

-36	C622007-0101	POWER SUPPLY-STROBE LIGHT	-----						1	
		ATTACHING PARTS								
	AN520-10R7	SCREW	-----						4	
-37	1620075-3	BRACKET ASSEMBLY	-----						2	

-38	C592001-0101	STATIC DISCHARGER	-----						1	
		ATTACHING PARTS								
-39	S1021A6-8	SCREW	-----						1	

-40	0720618-9	FILLET ASSEMBLY-LH	-----						1	
	0720618-10	FILLET ASSEMBLY-RH	-----						1	
		ATTACHING PARTS								
-41	AN507-832R6	SCREW	-----						2	
-42	S1022Z8-8	SCREW	-----						2	
-43	S290D832	WASHER	-----						1	

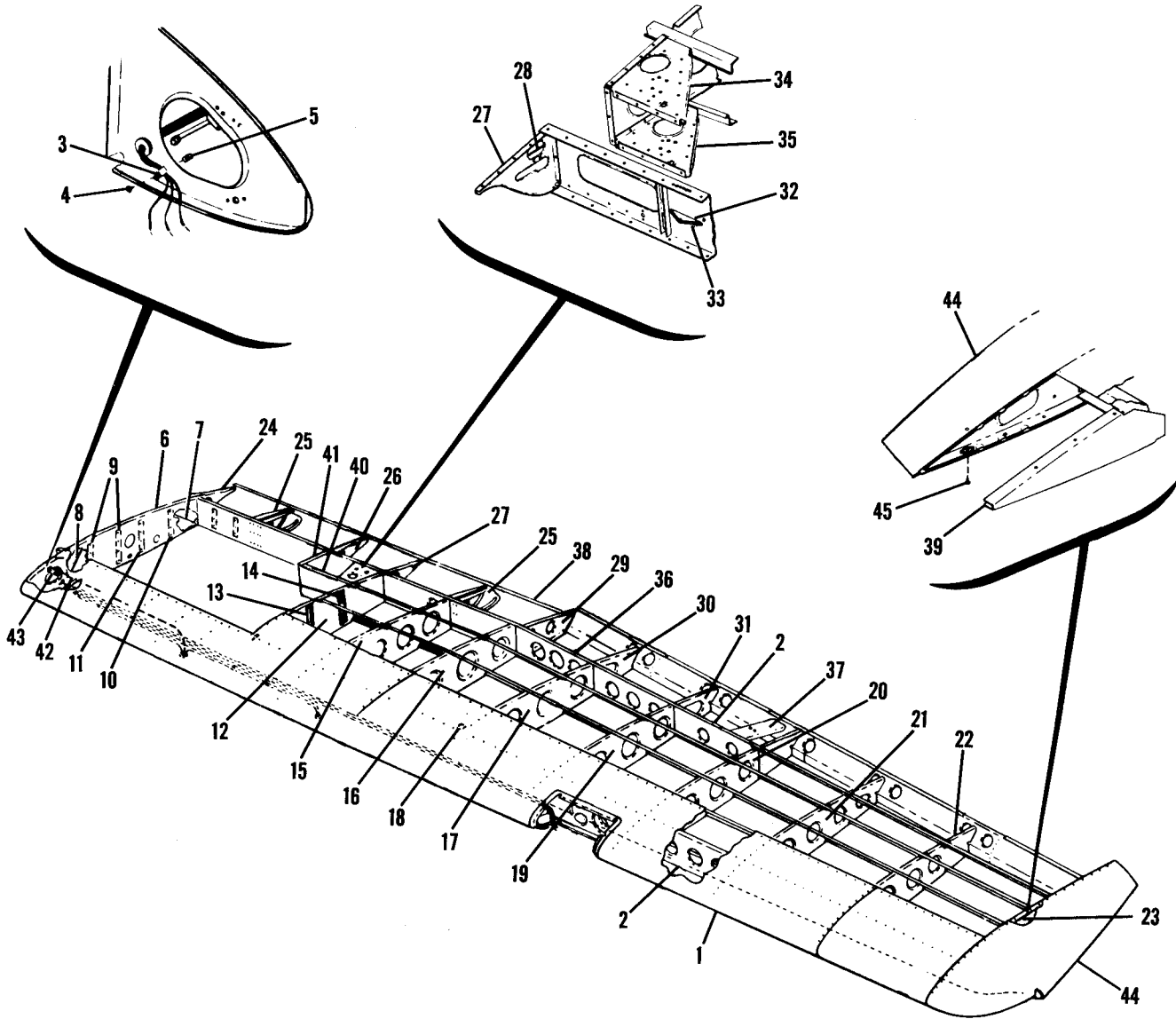
-44	0520005-3	RUB STRIP	-----						1	
-45	0720016-1	FAIRING-LH	-----						1	
	0720016-2	FAIRING-RH	-----						1	
		ATTACHING PARTS								
-46	S1022Z8-8	SCREW	-----						5	
	S290D832	WASHER	-----						5	
-47	S1021Z8-8	SCREW	-----						2	
	NAS395-18-3	NUT	-----						2	

-48	0520008	FAIRING ASSEMBLY-LH	-----						1	
	0520008-1	FAIRING ASSEMBLY-RH	-----						1	
		ATTACHING PARTS								
-49	S1021Z8-6	SCREW	-----						1	
	S1022Z8-6	SCREW	-----						1	

-50	S202RB	MOULDING-10.50 IN LG	BKI	REF S202R10.5B	-----				1	
		A---SERIAL 18502091 & ON SERIAL 18052285 & ON								

This page intentionally left blank.

Wing (Cont)



SERIAL 18051184 THRU 18051312

Figure 4. Wing Structure Assembly

FIGURE AND INDEX NO.	PART NUMBER	DESCRIPTION	UNITS PER ASSY	USABLE ON CODE
		1 2 3 4 5 6 7		
4 -	0792000-23	STRUCTURE ASSEMBLY-WING LH	1	A
	0792000-22	STRUCTURE ASSEMBLY-WING RH	1	A
	0792000-25	STRUCTURE ASSEMBLY-WING LH CORROSION PROOF	1	A
	0792000-24	STRUCTURE ASSEMBLY-WING RH CORROSION PROOF	1	A
- 1		LEADING EDGE ASSEMBLIES-WING SEE FIGURE 7	1	
		SKINS & STRINGERS INSTALLATION SEE FIGURE 11	1	
- 2		SPARS-WING SEE FIGURE 9	1	
- 3	MS21919DG6	CLAMP TIN	1	
- 4	S1021Z8-8	SCREW	1	
- 5	NAS446-4-3	NUT TIN A1778-8Z-3	1	
	0721100-23	RIB ASSEMBLY-WING ROOT LH	1	
	0721100-24	RIB ASSEMBLY-WING ROOT RH	1	
- 6	0721100-25	RIB ASSEMBLY-WING ROOT LH	1	
	0721100-26	RIB ASSEMBLY-WING ROOT RH	1	
- 7	1221101-1	REINFORCEMENT-ROOT RIB LH	1	
	1221101-2	REINFORCEMENT-ROOT RIB RH	1	
- 8	0721116-1	REINFORCEMENT-ROOT RIB LH	1	
	0721116-2	REINFORCEMENT-ROOT RIB RH	1	
- 9	0721100-7	ANGLE-STIFFENER	2	
-10	0721100-6	ANGLE-STIFFENER	1	
-11	0721100-5	ANGLE-STIFFENER	1	
	0721111-1	RIB ASSEMBLY-WING FUEL BAY LH WHEN EXHAUSTED	1	
		USE 0721111-21		
	0721111-21	RIB ASSEMBLY-WING FUEL BAY LH	1	
	0721111-16	RIB ASSEMBLY-WING FUEL BAY RH	1	
-12	0721111-7	RIB-WING FUEL BAY LH	1	
	0721111-8	RIB-WING FUEL BAY RH	1	
-13	0721100-7	ANGLE-STIFFENER	2	
-14	0721100-6	ANGLE-STIFFENER	1	
-15	0722201-1	RIB-CENTER STA 85.625	1	
-16	0523510	RIB-CENTER LH STA 100.00 WHEN EXHAUSTED	1	
		USE 0523510-7		
	0523510-7	RIB-CENTER LH STA 100.00	1	
	0523510-1	RIB-CENTER RH STA 100.00 WHEN EXHAUSTED	1	
		USE 0523510-6		
	0523510-6	RIB ASSEMBLY-WING FUEL BAY LH	1	
-17	0523511-7	RIB-CENTER STA 118.00	1	
-18	0523511-6	SPACER	1	
-19	0523512-3	RIB-CENTER STA 136.00	1	
-20	0523513-3	RIB-CENTER LH STA 154.00 WHEN EXHAUSTED	1	
		USE 0523513-9		
	0523513-9	RIB-CENTER LH STA 154.00	1	
	0523513-6	RIB-CENTER RH STA 154.00 WHEN EXHAUSTED	1	
		USE 0523513-10		
	0523513-10	RIB-CENTER RH STA 154.00	1	
-21	0523514-3	RIB-CENTER STA 172.00	1	
-22	0523515-3	RIB-CENTER STA 190.00	1	
-23	0720608-1	RIB ASSEMBLY-CENTER STA 208.00	1	
	NAS444-4	NUTPLATE TIN A6191-8Z-3	10	
-24	0523232	RIB-TRAILING EDGE ROOT STA 23.625	1	
-25	1221010-7	RIB ASSEMBLY-FLAP TRACK STA 39.00 & 85.875	2	
	1221010-13	BRACKET-LH	1	
	1221010-14	BRACKET-RH	1	
-26	0523233-2	RIB-TRAILING EDGE STA 56.531	1	
-27	0523233	RIB ASSEMBLY-TRAILING EDGE STA 71.375	1	
-28	0523233-3	RUB STRIP	1	
-29	0523230	RIB ASSEMBLY-TRAILING EDGE LH STA 100.5	1	
	0523230-1	RIB ASSEMBLY-TRAILING EDGE RH STA 100.5	1	
	05232304	ANGLE-LH	1	
	05232305	ANGLE-RH	1	
-30	0523511-4	RIB-TRAILING EDGE STA 118.00	1	
-31	0523512-4	RIB-TRAILING EDGE STA 136.00	1	
-32	0523407	BRACKET-FLAP PULLEY UPPER	1	
-33	0523407-1	BRACKET-FLAP PULLEY LOWER	1	
-34	0721112-3	BRACKET-FLAP BELLCRANK SUPPORT UPPER LH	1	
	0721112-4	BRACKET-FLAP BELLCRANK SUPPORT UPPER RH	1	
-35	0721112-1	BRACKET-FLAP BELLCRANK SUPPORT LOWER LH	1	
	0721112-2	BRACKET-FLAP BELLCRANK SUPPORT UPPER RH	1	
-36	0523408	BRACKET-AILERON PULLEY	1	

CONTINUED ON NEXT PAGE

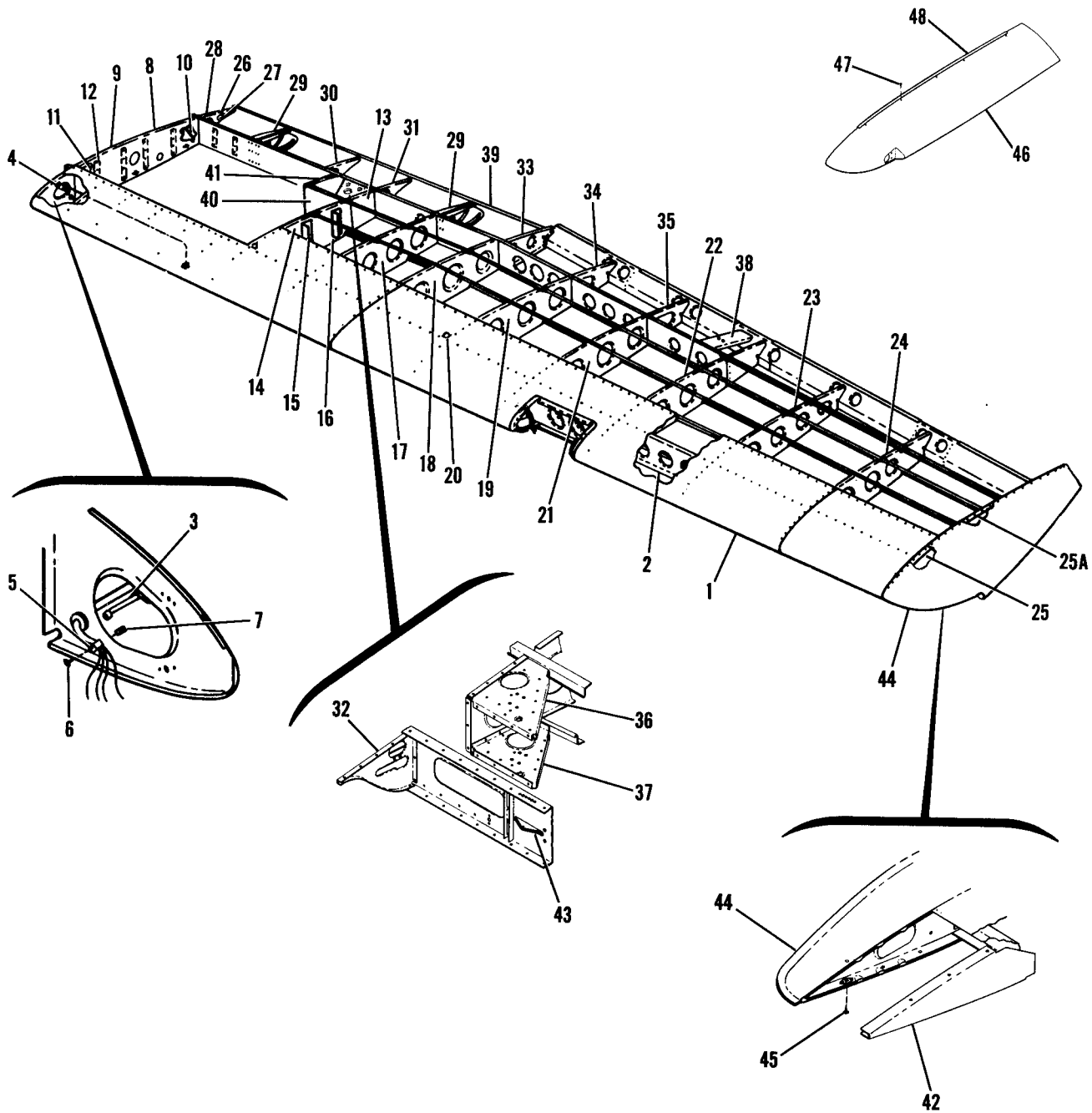
FIGURE AND INDEX NO.	PART NUMBER	DESCRIPTION							UNITS PER ASSY	USABLE ON CODE
		1	2	3	4	5	6	7		
4 -37	0523219-2	CHANNEL-AILERON BELLCRANK -----							1	
	0523219-3	CHANNEL-AILERON BELLCRANK SUPPORT UPPER RH -----							1	
	0523219-4	CHANNEL-AILERON BELLCRANK SUPPORT LOWER LH -----							1	
	0523219-5	CHANNEL-AILERON BELLCRANK SUPPORT LOWER RH -----							1	
-38	0720005-1	STIFFENER-TRAILING EDGE INBOARD -----							1	
-39	0721107-1	FAIRING-RIB LH STA 208.00 -----							1	
	0721107-2	FAIRING-RIB RH STA 208.00 -----							1	
-40	0721111-5	BULKHEAD ASSEMBLY -----							1	
-41	0721111-3	RIB-LH STA 56.531 -----							1	
	0721111-4	RIB-RH STA 56.531 -----							1	
-42		TUBE ASSEMBLY-PITOT LH WING ONLY -----							NP	
		ATTACHING PARTS -----								
-43	AN742D4	CLAMP TIN -----							1	
	AN515-6R8	SCREW -----							1	
	NAS679A06	NUT -----							1	
		*-----								
	S1071-1	TUBE-POLYETHYLENE-52 IN. LG. BULK ITEM -----							AR	
		REF S-1071-1-52.0 -----								
	S1131-1	INSERT -----							2	
	S1130-1	NUT -----							2	
-44	0523701-4	TIP ASSEMBLY-WING WHEN EXHAUSTED USE 0723615-200-791 -----							2	
		ATTACHING PARTS -----								
-45	S102128-8	SCREW -----							10	
		*-----								
<p>NOTE. WING STRUCTURE ASSEMBLIES INCLUDE ALL WIRING NECESSARY FOR INSTALLATION.</p> <p>A---SERIAL 18051184 THRU 18051312</p>										



FIGURE AND INDEX NO.	PART NUMBER	DESCRIPTION	UNITS PER ASSY	USABLE ON CODE		
					1	2
5 -	1220002-201	STRUCTURE ASSEMBLY-WING LH -----	1	G		
	1220002-209	STRUCTURE ASSEMBLY-WING LH WHEN EXHAUSTED USE 1220002-211 --	1	H		
	1220002-211	STRUCTURE ASSEMBLY-WING LH WHEN EXHAUSTED USE 1220002-213 --	1	K		
	1220002-213	STRUCTURE ASSEMBLY-WING LH -----	1	L		
	1220002-91	STRUCTURE ASSEMBLY-WING LH -----	1	Z		
	1220002-202	STRUCTURE ASSEMBLY-WING RH WHEN EXHAUSTED USE 1220002-210 --	1	J		
	1220002-210	STRUCTURE ASSEMBLY-WING RH WHEN EXHAUSTED USE 1220002-212 --	1	K		
	1220002-212	STRUCTURE ASSEMBLY-WING RH -----	1	L		
	1220002-90	STRUCTURE ASSEMBLY-WING RH -----	1	Z		
	- 1		LEADING EDGE ASSEMBLIES-WING SEE FIGURE 8 -----	1		
			SKINS & STRINGERS INSTALLATION SEE FIGURE 12 -----	1		
	- 2		SPARS ASSEMBLIES SEE FIGURE 10 -----	1		
- 3	S1131-1	INSERT -----	2			
	S1130-1	NUT -----	1			
	S1132-1	UNION -----	1			
	S1071-1	TUBE-52.0 IN LG BULK ITEM REF S-1071-1-52.0 -----	1			
		ATTACHING PARTS				
- 4	AN742D4	CLAMP TIN -----	1			
	S1021Z8-8	SCREW -----	1			
	NAS395-16-3	NUT -----	1			
		-----*				
- 5	MS21919D66	CLAMP-LH -----	1			
	S1155-3	PLASTIC CLAMP RH -----	1			
		ATTACHING PARTS				
- 6	S1021Z8-8	SCREW -----	1			
- 7	NAS446-4-3	NUT -----	1			
		-----*				
- 8	0721100-23	RIB ASSEMBLY-WING ROOT LH -----	1			
	0721100-24	RIB ASSEMBLY-WING ROOT RH -----	1			
- 9	0721100-25	RIB-WING ROOT LH -----	1			
	0721100-26	RIB-WING ROOT RH -----	1			
-10	1221101-1	REINFORCEMENT-WING ROOT RIB LH -----	1			
	1221101-2	REINFORCEMENT-WING ROOT RIB RH -----	1			
-11	0721116-1	REINFORCEMENT-WING ROOT RIB LH -----	1			
	0721116-2	REINFORCEMENT-WING ROOT RIB RH -----	1			
-12	0721100-7	ANGLE-STIFFENER -----	2			
	0721100-6	ANGLE-STIFFENER -----	1			
	0721100-5	ANGLE-STIFFENER -----	1			

CONTINUED ON NEXT PAGE

Wing (Cont)



SERIAL 185-0001 THRU 18502090
SERIAL 18051313 THRU 18052284

Figure 5. Wing Structure Assembly



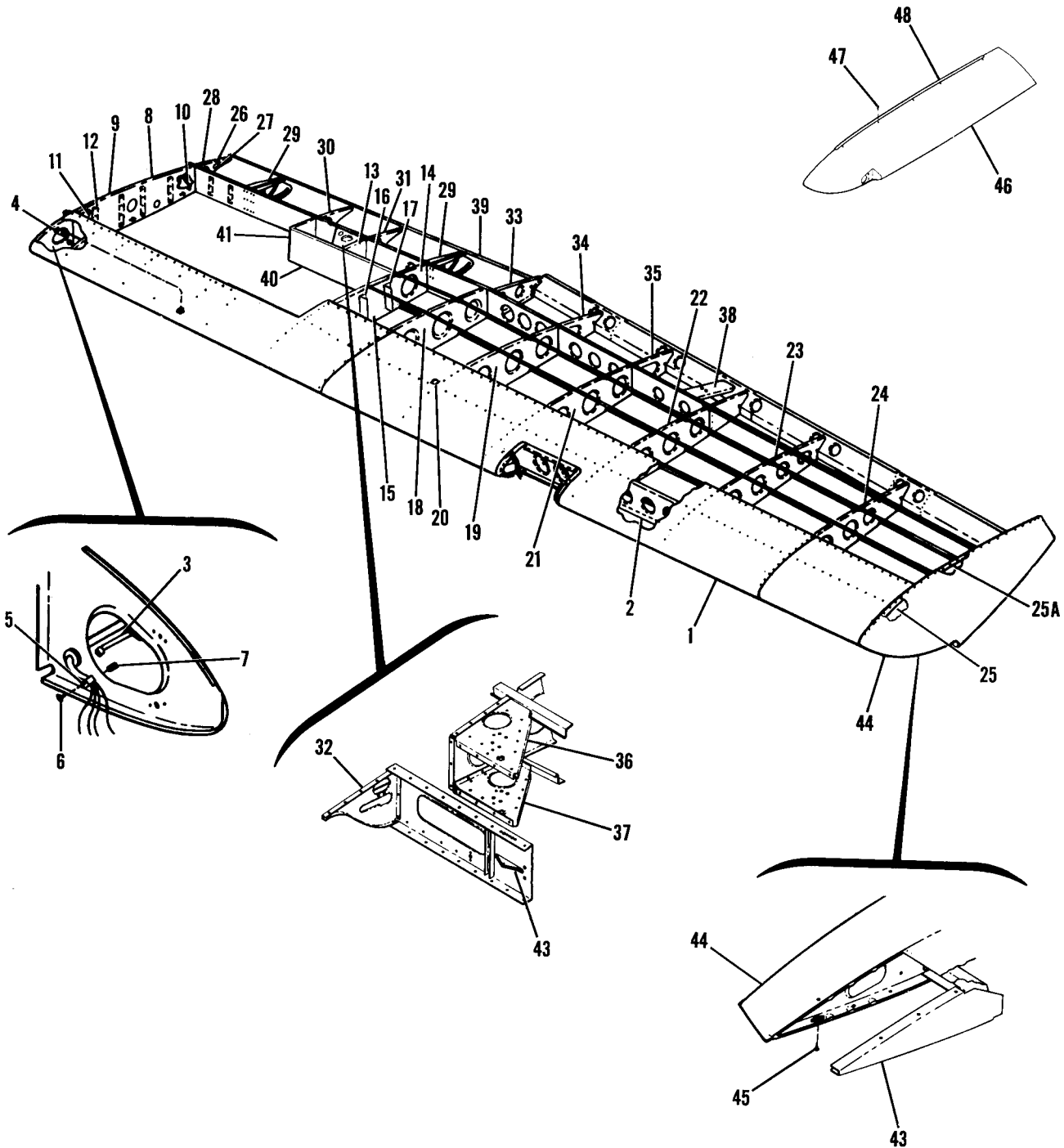
FIGURE AND INDEX NO.	PART NUMBER	DESCRIPTION							UNITS PER ASSY	USABLE ON CODE
		1	2	3	4	5	6	7		
5 -13	0721111-1	RIB ASSEMBLY-WING FUEL BAY LH	WHEN EXHAUSTED	-----	-----	-----	-----	-----	1	
		USE 0721111-21								
	0721111-21	RIB ASSEMBLY-WING FUEL BAY LH	-----	-----	-----	-----	-----	-----	1	
	0721111-16	RIB ASSEMBLY-WING FUEL BAY RH	-----	-----	-----	-----	-----	-----	1	
-14	0721111-7	RIB-WING FUEL BAY LH	-----	-----	-----	-----	-----	-----	1	
	0721111-15	RIB-WING FUEL BAY RH	-----	-----	-----	-----	-----	-----	1	
-15	0721100-7	ANGLE-STIFFENER	-----	-----	-----	-----	-----	-----	2	
-16	0721100-6	ANGLE-STIFFENER	-----	-----	-----	-----	-----	-----	1	
-17	0523509-2	RIB-CENTER STA 85.875	WEU 0722201-1	-----	-----	-----	-----	-----	1	W
	0722201-1	RIB-CENTER STA 85.875	-----	-----	-----	-----	-----	-----	1	X
-18	0523510-7	RIB-CENTER WING LH	STA 100.0	-----	-----	-----	-----	-----	1	Y
	0722194-1	RIB-CENTER WING LH	STA 100.0	-----	-----	-----	-----	-----	1	Z
	0523510-6	RIB-CENTER WING RH	STA 100.0	-----	-----	-----	-----	-----	1	Y
	0722194-2	RIB-CENTER WING RH	STA 100.0	-----	-----	-----	-----	-----	1	Z
-19	0523511-8	RIB-CENTER STA 118.0	-----	-----	-----	-----	-----	-----	1	U
	0523511-21	RIB ASSEMBLY-CENTER	STA 118.0	-----	-----	-----	-----	-----	1	V
-20	0523511-6	SPACER	-----	-----	-----	-----	-----	-----	1	
-21	0523512-7	RIB-CENTER STA 136.0	-----	-----	-----	-----	-----	-----	1	
-22	0523513-7	RIB-CENTER WING LH	STA 154.0	-----	-----	-----	-----	-----	1	
	0523513-8	RIB-CENTER WING RH	STA 154.0	WEU 0722197-4	-----	-----	-----	-----	1	W
	0722197-4	RIB-CENTER WING RH	STA 154.0	-----	-----	-----	-----	-----	1	X
-23	0720607-1	RIB-CENTER STA 172.0	-----	-----	-----	-----	-----	-----	1	
-24	0720607-2	RIB-CENTER STA 190.0	WEU 0722199-1	-----	-----	-----	-----	-----	1	W
	0722199-1	RIB-CENTER STA 190.0	-----	-----	-----	-----	-----	-----	1	X
-25	0720608-23	RIB ASSEMBLY-NOSE	STA 208.0	-----	-----	-----	-----	-----	1	
	MS20230A2	GROMMET	-----	-----	-----	-----	-----	-----	1	
	NAS696A08K	NUTPLATE	-----	-----	-----	-----	-----	-----	2	
-25A	0720608-7	RIB ASSEMBLY-TRAILING	STA 208.0	WHEN EXHAUSTED	-----	-----	-----	-----	1	M
		USE 0720608-15								
	0720608-15	RIB ASSEMBLY-TRAILING	STA 208.0	-----	-----	-----	-----	-----	1	N
	NAS444-4-3	NUTPLATE	-----	-----	-----	-----	-----	-----	10	M
	NAS686A08K	NUTPLATE	-----	-----	-----	-----	-----	-----	10	N
-26	NAS395-14-3	NUT	-----	-----	-----	-----	-----	-----	3	
-27	AN6328-8Z3	NUT	-----	-----	-----	-----	-----	-----	1	
-28	0523232	RIB-TRAILING EDGE ROOT	STA 23.625	-----	-----	-----	-----	-----	1	E
	0523232-2	RIB-TRAILING EDGE ROOT	STA 23.625	-----	-----	-----	-----	-----	1	F
-29	1221010-7	RIB ASSEMBLY-FLAP TRACK	STA 39.0 & 85.875	-----	-----	-----	-----	-----	2	
	1221010-13	BRACKET	-----	-----	-----	-----	-----	-----	1	
	1221010-14	BRACKET	-----	-----	-----	-----	-----	-----	1	
-30	0523233-6	RIB-TRAILING EDGE	STA 56.415	-----	-----	-----	-----	-----	1	
-31	0523233-7	RIB ASSEMBLY-TRAILING EDGE	STA 71.977	-----	-----	-----	-----	-----	1	
-32	0523233-3	RUB STRIP	-----	-----	-----	-----	-----	-----	1	
-33	0523230	RIB ASSEMBLY-TRAILING EDGE WING LH	STA 100.5	-----	-----	-----	-----	-----	1	
	0523230-1	RIB ASSEMBLY-TRAILING EDGE WING RH	STA 100.5	-----	-----	-----	-----	-----	1	
	0523230-4	ANGLE-WING LH	-----	-----	-----	-----	-----	-----	1	
	0523230-5	ANGLE-WING RH	-----	-----	-----	-----	-----	-----	1	
-34	0523511-4	RIB-TRAILING EDGE	STA 118.0	-----	-----	-----	-----	-----	1	
-35	0523512-4	RIB-TRAILING EDGE	STA 136.0	-----	-----	-----	-----	-----	1	
-36	0721117-3	BRACKET-FLAP BELLCRANK UPPER LH	-----	-----	-----	-----	-----	-----	1	
	0721117-4	BRACKET-FLAP BELLCRANK UPPER RH	-----	-----	-----	-----	-----	-----	1	
-37	0721117-1	BRACKET-FLAP BELLCRANK LOWER LH	-----	-----	-----	-----	-----	-----	1	
	0721117-2	BRACKET-FLAP BELLCRANK LOWER RH	-----	-----	-----	-----	-----	-----	1	
-38	0523219-2	CHANNEL-AILERON BELLCRANK SUPPORT UPPER LH	-----	-----	-----	-----	-----	-----	1	
	0523219-3	CHANNEL-AILERON BELLCRANK SUPPORT UPPER RH	-----	-----	-----	-----	-----	-----	1	
	0523219-4	CHANNEL-AILERON BELLCRANK SUPPORT LOWER LH	-----	-----	-----	-----	-----	-----	1	
	0523219-5	CHANNEL-AILERON BELLCRANK SUPPORT LOWER RH	-----	-----	-----	-----	-----	-----	1	
-39	0720005-1	STIFFENER-TRAILING EDGE INBOARD	-----	-----	-----	-----	-----	-----	1	
-40	0722012-1	BULKHEAD ASSEMBLY	-----	-----	-----	-----	-----	-----	1	
-41	0721111-3	RIB-WING LH	STA 56.415	-----	-----	-----	-----	-----	1	
	0721111-4	RIB-WING RH	STA 56.415	-----	-----	-----	-----	-----	1	
-42	0721107-1	FAIRING-LH	-----	-----	-----	-----	-----	-----	1	
	0721107-2	FAIRING-RH	-----	-----	-----	-----	-----	-----	1	
-43	0523407-1	BRACKET ASSEMBLY-PULLEY LOWER	-----	-----	-----	-----	-----	-----	1	A
	0760618-2	BRACKET ASSEMBLY-PULLEY LOWER	-----	-----	-----	-----	-----	-----	1	B
	0523407	BRACKET ASSEMBLY-PULLEY UPPER	-----	-----	-----	-----	-----	-----	1	A
	0760618-1	BRACKET ASSEMBLY-PULLEY UPPER	-----	-----	-----	-----	-----	-----	1	B

CONTINUED ON NEXT PAGE

FIGURE AND INDEX NO.	PART NUMBER	DESCRIPTION	UNITS PER ASSY	USABLE ON CODE
5 -44	0523700	TIP ASSEMBLY-WING -----	2	B
	0523701-4	TIP ASSEMBLY-WING WHEN EXHAUSTED USE 0723615-200-791 -----	2	C
	0723615-200-791	TIP ASSEMBLY-WING -----	2	D
-45	S1021Z8-8 AN515-8R8 0423008-8 0423008-9	ATTACHING PARTS -----		
		SCREW -----	10	M
		SCREW -----	10	Q
		STIFFENER USE ON UPPER SIDE RH TIP & LOWER SIDE LH TIP -----	1	D
		STIFFENER USE ON UPPER SIDE LH TIP & LOWER SIDE RH TIP -----	1	D
-46	S1863-3 0523565-201-791 0523565-200-791 0523565-29-791 0523565-30-791	*-----		
		NUTPLATE -----	3	B
		TIP-WING LH -----	1	S
		TIP-WING RH -----	1	S
		TIP ASSEMBLY-WING LH -----	1	T
		TIP ASSEMBLY-WING RH -----	1	T
-47 -48	AN515-8R8 0523565-21 0523565-22 NAS1329A06K120	ATTACHING PARTS -----		
		SCREW -----	12	R
		STIFFENER USE ON UPPER SIDE LH TIP & LOWER SIDE RH TIP -----	1	R
		STIFFENER USE ON LOWER SIDE LH TIP & UPPER SIDE RH TIP -----	1	R
		*-----		
		NUT -----	5	T
NOTE. WING STRUCTURE ASSEMBLIES INCLUDE ALL WIRING NECESSARY FOR INSTALLATION.				
<p>A---SERIAL 185-0001 THRU 18502090 SERIAL 18051313 THRU 18052284</p> <p>B---SERIAL 185-0001 THRU 185-0237</p> <p>C---SERIAL 185-0238 THRU 185-1149 SERIAL 18051313 THRU 18051774</p> <p>D---SERIAL 185-1150 THRU 185-1599 SERIAL 18051775 THRU 18052103</p> <p>E---SERIAL 185-0001 THRU 185-1277 SERIAL 18051313 THRU 18051873</p> <p>F---SERIAL 185-1278 THRU 18502090 SERIAL 18051874 THRU 18052284</p> <p>G---SERIAL 185-0001 THRU 185-1197 & 185-1200 SERIAL 18051313 THRU 18051823</p> <p>H---SERIAL 185-1198, 185-1199, 185-1201 THRU 185-1300 SERIAL 18051824 THRU 18051875</p> <p>J---SERIAL 185-0001 THRU 185-1300 SERIAL 18051313 THRU 18051875</p> <p>K---SERIAL 185-1301 THRU 185-1401 SERIAL 18051876 THRU 18051954</p> <p>L---SERIAL 185-1402 THRU 18501930, 18501932 THRU 18501934 SERIAL 18051955 THRU 18052222</p> <p>M---SERIAL 185-0001 THRU 185-1447 SERIAL 18051313 THRU 18051993</p> <p>N---SERIAL 185-1448 THRU 18502090 SERIAL 18051994 THRU 18052284</p> <p>P---SERIAL 185-0001 THRU 185-1599 SERIAL 18051313 THRU 18052103</p> <p>Q---SERIAL 185-1448 THRU 185-1599 SERIAL 18051994 THRU 18052103</p> <p>R---SERIAL 18501600 THRU 18502090 SERIAL 18052104 THRU 18052284</p> <p>S---SERIAL 18501600 THRU 18501832 SERIAL 18052104 THRU 18052175</p> <p>T---SERIAL 18501833 THRU 18502090 SERIAL 18052176 THRU 18052284</p> <p>U---SERIAL 185-0001 THRU 18501886 SERIAL 18051313 THRU 18052205</p> <p>V---SERIAL 18501887 THRU 18502090 SERIAL 18052206 THRU 18052284</p> <p>W---SERIAL 185-0001 THRU 18501991 SERIAL 18051313 THRU 18052243</p> <p>X---SERIAL 18501992 THRU 18502090 SERIAL 18052244 THRU 18052284</p> <p>Y---SERIAL 185-0001 THRU 18501930, 18501932 THRU 18501934 SERIAL 18051313 THRU 18052222</p> <p>Z---SERIAL 18501931, 18501935 THRU 18502090 SERIAL 18052223 THRU 18052284</p>				

This page intentionally left blank.

Wing (Cont)



SERIAL 185-0001 THRU 18502090
SERIAL 18051184 THRU 18052284

Figure 6. Wing Structure Assembly Extended Range



FIGURE AND INDEX NO.	PART NUMBER	DESCRIPTION							UNITS PER ASSY	USABLE ON CODE
		1	2	3	4	5	6	7		
6 -	1220003-201	STRUCTURE ASSEMBLY-WING LH	EXTENDED RANGE	-----					1	G
	1220003-211	STRUCTURE ASSEMBLY-WING LH EXHAUSTED USE 1220003-213	EXTENDED RANGE	WHEN -----					1	H
	1220003-213	STRUCTURE ASSEMBLY-WING LH EXHAUSTED USE 1220003-215	EXTENDED RANGE	WHEN -----					1	K
	1220003-215	STRUCTURE ASSEMBLY-WING LH	EXTENDED RANGE	-----					1	L
	1220003-35	STRUCTURE ASSEMBLY-WING LH	EXTENDED RANGE	-----					1	X
	1220004-202	STRUCTURE ASSEMBLY-WING RH EXHAUSTED USE 1220004-208	EXTENDED RANGE	WHEN -----					1	J
	1220004-208	STRUCTURE ASSEMBLY-WING RH EXHAUSTED USE 1220004-210	EXTENDED RANGE	WHEN -----					1	K
	1220004-210	STRUCTURE ASSEMBLY-WING RH	EXTENDED RANGE	-----					1	L
	1220004-32	STRUCTURE ASSEMBLY-WING RH	EXTENDED RANGE	-----					1	X
- 1		LEADING EDGE ASSEMBLIES-WING	SEE FIGURE 8	-----					1	
		SKINS & STRINGERS INSTALLATION	SEE FIGURE 12	-----					1	
- 2		SPAR ASSEMBLIES	SEE FIGURE 10	-----					1	
- 3	S1131-1	INSERT	-----						2	
	S1130-1	NUT	-----						1	
	S1132-1	UNION	-----						1	
	S1071-1	TUBE-52.0 IN. LG.	BULK ITEM	REF S-1071-1-52	-----				1	
		ATTACHING PARTS								
- 4	AN742D4	CLAMP TIN	-----						1	
	S1021Z8-8	SCREW	-----						1	
	NAS395-16-3	NUT	-----						1	
		-----*								
- 5	MS21919DG6	CLAMP-LH	-----						1	
	S1155-3	PLASTIC CLAMP-RH	-----						1	
		ATTACHING PARTS								
- 6	S1021Z8-8	SCREW	-----						1	
- 7	NAS446-4-3	NUT	-----						1	
		-----*								
- 8	0721100-23	RIB ASSEMBLY-ROOT LH	-----						1	
	0721100-24	RIB ASSEMBLY-ROOT RH	-----						1	
- 9	0721100-25	RIB-ROOT LH	-----						1	
	0721100-26	RIB-ROOT RH	-----						1	
-10	1221101-1	REINFORCEMENT-ROOT RIB LH	-----						1	
	1221101-2	REINFORCEMENT-ROOT RIB RH	-----						1	
-11	0721116-1	REINFORCEMENT-ROOT RIB LH	-----						1	
	0721116-2	REINFORCEMENT-ROOT RIB RH	-----						1	
-12	0721100-7	ANGLE-STIFFENER	-----						2	
	0721100-6	ANGLE-STIFFENER	-----						1	
	0721100-5	ANGLE-STIFFENER	-----						1	
-13	1220019-9	RIB-LH	WHEN EXHAUSTED USE 1220019-18	-----					1	
	1220019-18	RIB-LH	-----						1	
	1220019-10	RIB-RH	-----						1	
-14	1220019-1	RIB ASSEMBLY-LH	STA 85.625	WHEN EXHAUSTED	-----				1	
		USE 1220019-19								
	1220019-19	RIB ASSEMBLY-LH	STA 85.625	-----					1	
	1220019-2	RIB ASSEMBLY-RH	STA 85.625	WHEN EXHAUSTED	-----				1	
		USE 1220019-20								
	1220019-20	RIB ASSEMBLY-RH	STA 85.625	-----					1	
-15	1220019-3	RIB-LH	STA 85.625	-----					1	
	1220019-4	RIB-RH	STA 85.625	-----					1	
-16	0721100-7	ANGLE-STIFFENER	-----						2	
-17	0721100-6	ANGLE-STIFFENER	-----						1	
-18	0523510-7	RIB-CENTER WING LH	STA 100.0	-----					1	W
	0722194-1	RIB-CENTER WING LH	STA 100.0	-----					1	X
	0523510-6	RIB-CENTER WING RH	STA 100.0	-----					1	W
	0722194-2	RIB-CENTER WING RH	STA 100.0	-----					1	X
-19	0523511-8	RIB-CENTER	STA 118.0	-----					1	U
	0523511-21	RIB ASSEMBLY-CENTER	STA 118.0	-----					1	V
-20	0523511-6	SPACER	-----						1	
-21	0523512-7	RIB-CENTER	STA 136.0	-----					1	
-22	0523513-7	RIB-CENTER WING LH	STA 154.0	-----					1	
	0523513-8	RIB-CENTER WING RH	STA 154.0	WEU 0722197-4	-----				1	Y
	0722197-4	RIB-CENTER WING RH	STA 154.0	-----					1	Z
-23	0720607-1	RIB-CENTER	STA 172.0	WEU 0722198-1	-----				1	Y
	0722198-1	RIB-CENTER	STA 172.0	-----					1	Z
-24	0720607-2	RIB-CENTER	STA 190.0	WEU 0722199-1	-----				1	Y
	0722199-1	RIB-CENTER	STA 190.0	-----					1	Z

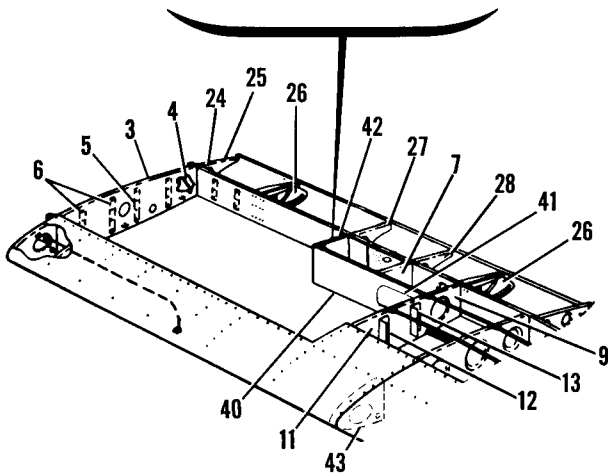
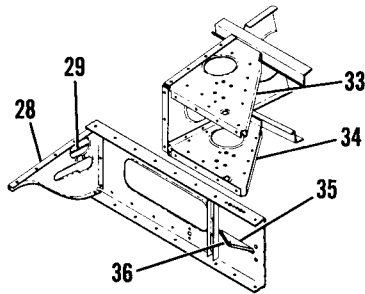
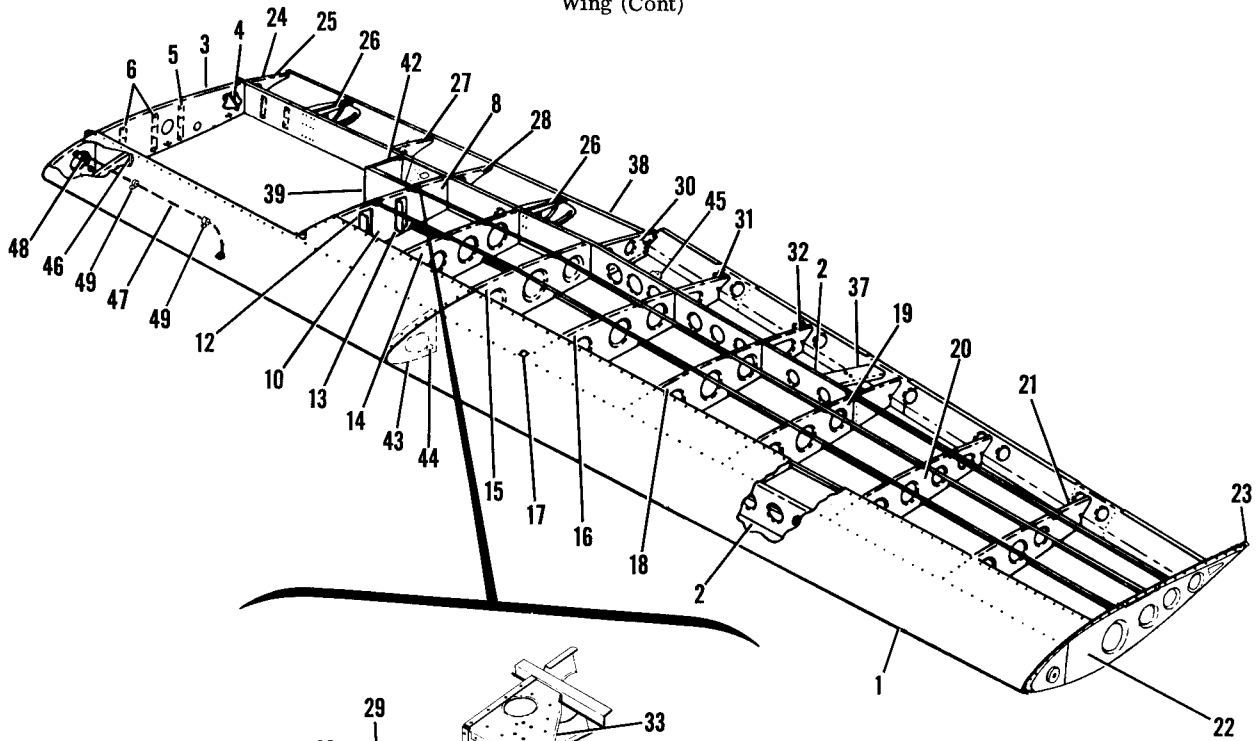
CONTINUED ON NEXT PAGE

FIGURE AND INDEX NO.	PART NUMBER	DESCRIPTION	UNITS PER ASSY	USABLE ON CODE
6 -25	0720608-23	RIB ASSEMBLY-NOSE STA 208.0 -----	1	
	MS20230A2	GROMMET -----	1	
	NAS696A08K	NUTPLATE -----	2	
-25A	0720608-7	RIB ASSEMBLY-TRAILING EDGE STA 208.0 WHEN -----	1	M
	0720608-15	EXHAUSTED USE 0720608-15		
	NAS444-4-3	RIB ASSEMBLY-TRAILING EDGE STA 208.0 -----	1	N
	NAS686A08K	NUTPLATE -----	10	M
	NAS686A08K	NUTPLATE -----	10	N
-26	NAS395-14-3	NUT -----	3	
-27	AN6328-8Z3	NUT -----	1	
-28	0523232	RIB-TRAILING EDGE ROOT STA 23.625 -----	1	E
	0523232-2	RIB-TRAILING EDGE ROOT STA 23.625 -----	1	F
-29	1221010-7	RIB ASSEMBLY-FLAP TRACK STA 39.0 & 85.875 -----	2	
	1221010-13	BRACKET -----	1	
	1221010-14	BRACKET -----	1	
-30	0523233-6	RIB-TRAILING EDGE STA 56.415 -----	1	
-31	0523233-7	RIB ASSEMBLY-TRAILING EDGE STA 71.977 -----	1	
-32	0523233-3	RUB STRIP -----	1	
-33	0523230	RIB ASSEMBLY-TRAILING EDGE WING LH STA 100.5 -----	1	
	0523230-1	RIB ASSEMBLY-TRAILING EDGE WING RH STA 100.5 -----	1	
	0523230-4	ANGLE-WING LH -----	1	
	0523230-5	ANGLE-WING RH -----	1	
-34	0523511-4	RIB-TRAILING EDGE STA 118.0 -----	1	
-35	0523512-4	RIB-TRAILING EDGE STA 136.0 -----	1	
-36	0721112-3	BRACKET-FLAP BELLCRANK UPPER LH -----	1	
	0721112-4	BRACKET-FLAP BELLCRANK UPPER RH -----	1	
-37	0721112-1	BRACKET-FLAP BELLCRANK LOWER LH -----	1	
	0721112-2	BRACKET-FLAP BELLCRANK LOWER RH -----	1	
-38	0523219-2	CHANNEL-AILERON BELLCRANK SUPPORT UPPER LH -----	1	
	0523219-3	CHANNEL-AILERON BELLCRANK SUPPORT UPPER RH -----	1	
	0523219-4	CHANNEL-AILERON BELLCRANK SUPPORT LOWER LH -----	1	
	0523219-5	CHANNEL-AILERON BELLCRANK SUPPORT LOWER RH -----	1	
-39	0720005-1	STIFFENER-TRAILING EDGE INBOARD -----	1	
-40	1220019-13	BULKHEAD ASSEMBLY-LH -----	1	
	1220019-6	BULKHEAD ASSEMBLY-RH -----	1	
-41	0721111-3	RIB-WING LH STA 56.415 -----	1	
	0721111-4	RIB-WING RH STA 56.415 -----	1	
-42	0721107-1	FAIRING LH -----	1	
	0721107-2	FAIRING RH -----	1	
-43	0523407-1	BRACKET ASSEMBLY-PULLEY LOWER -----	1	A
	0760618-2	BRACKET ASSEMBLY-PULLEY LOWER -----	1	B
	0523407	BRACKET ASSEMBLY-PULLEY UPPER -----	1	A
	0760618-1	BRACKET ASSEMBLY-PULLEY UPPER -----	1	B
-44	0523700	TIP ASSEMBLY-WING -----	2	A
	0523701-4	TIP ASSEMBLY-WING WHEN EXHAUSTED USE 0723615-200-791 -----	2	C
	0723615-200-791	TIP ASSEMBLY-WING -----	2	D
		ATTACHING PARTS		
-45	S1021Z8-8	SCREW -----	10	M
	AN515-8R8	SCREW -----	10	Q
	0423008-8	STIFFENER USE ON UPPER SIDE RH TIP & LOWER SIDE LH TIP -----	1	D
	0423008-9	STIFFENER USE ON UPPER SIDE LH TIP & LOWER SIDE RH TIP -----	1	D
		-----*		

CONTINUED ON NEXT PAGE

FIGURE AND INDEX NO.	PART NUMBER	DESCRIPTION	UNITS PER ASSY	USABLE ON CODE
		1 2 3 4 5 6 7		
6 -46	0523565-201-791	TIP-WING LH -----	1	S
	0523565-200-791	TIP-WING RH -----	1	S
	0523565-29-791	TIP ASSEMBLY-WING LH -----	1	T
	0523565-30-791	TIP ASSEMBLY-WING RH -----	1	T
		ATTACHING PARTS		
-47	AN515-8R8	SCREW -----	12	R
-48	0523565-21	STIFFENER USE ON UPPER SIDE LH TIP & LOWER SIDE RH TIP -----	1	R
	0523565-22	STIFFENER USE ON LOWER SIDE LH TIP & UPPER SIDE RH TIP -----	1	R
	NAS1329A06K120	NUT -----	5	T
		*-----		
		NOTE. WING STRUCTURE ASSEMBLIES INCLUDE ALL WIRING NECESSARY FOR INSTALLATION.		
		A---SERIAL 185-0001 THRU 185-0237		
		B---SERIAL 185-0238 THRU 18502090 SERIAL 18051184 THRU 18052284		
		C---SERIAL 185-0238 THRU 185-1149 SERIAL 18051184 THRU 18051774		
		D---SERIAL 185-1150 THRU 185-1599 SERIAL 18051775 THRU 18052103		
		E---SERIAL 185-0001 THRU 185-1277 SERIAL 18051184 THRU 18051873		
		F---SERIAL 185-1278 THRU 18502090 SERIAL 18051874 THRU 18052284		
		G---SERIAL 185-0001 THRU 185-1197 & 185-1200 SERIAL 18051184 THRU 18051823		
		H---SERIAL 185-1198, 185-1199, 185-1201 THRU 185-1300 SERIAL 18051824 THRU 18051875		
		J---SERIAL 185-0001 THRU 185-1300 SERIAL 18051184 THRU 18051875		
		K---SERIAL 185-1301 THRU 185-1401 SERIAL 18051876 THRU 18051954		
		L---SERIAL 185-1402 THRU 18501930, 18501932 THRU 1851934 SERIAL 18051955 THRU 18052222		
		M---SERIAL 185-0001 THRU 185-1447 SERIAL 18051184 THRU 18051993		
		N---SERIAL 185-1448 THRU 18502090 SERIAL 18051994 THRU 18052284		
		P---SERIAL 185-0001 THRU 185-1599 SERIAL 18051184 THRU 18052103		
		Q---SERIAL 185-1448 THRU 185-1599 SERIAL 18051994 THRU 18052103		
		R---SERIAL 18501600 THRU 18502090 SERIAL 18052104 THRU 18052284		
		S---SERIAL 18501600 THRU 18501832 SERIAL 18052104 THRU 18052175		
		T---SERIAL 18501833 THRU 18502090 SERIAL 18052176 THRU 18052284		
		U---SERIAL 185-0001 THRU 18501886 SERIAL 18051184 THRU 18052205		
		V---SERIAL 18501887 THRU 18502090 SERIAL 18052206 THRU 18052284		
		W---SERIAL 185-0001 THRU 18501930, 18501932 THRU 18501934 SERIAL 18051184 THRU 18052222		
		X---SERIAL 18501931, 18501935 THRU 18502090 SERIAL 18052223 THRU 18052284		
		Y---SERIAL 185-0001 THRU 18501991 SERIAL 18051184 THRU 18052243		
		Z---SERIAL 18501992 THRU 18502090 SERIAL 18052243 THRU 18052284		

Wing (Cont)



EXTENDED RANGE FUEL BAY

SERIAL 18502091 & ON
SERIAL 18052285 & ON

Figure 6A. Wing Structure Assembly



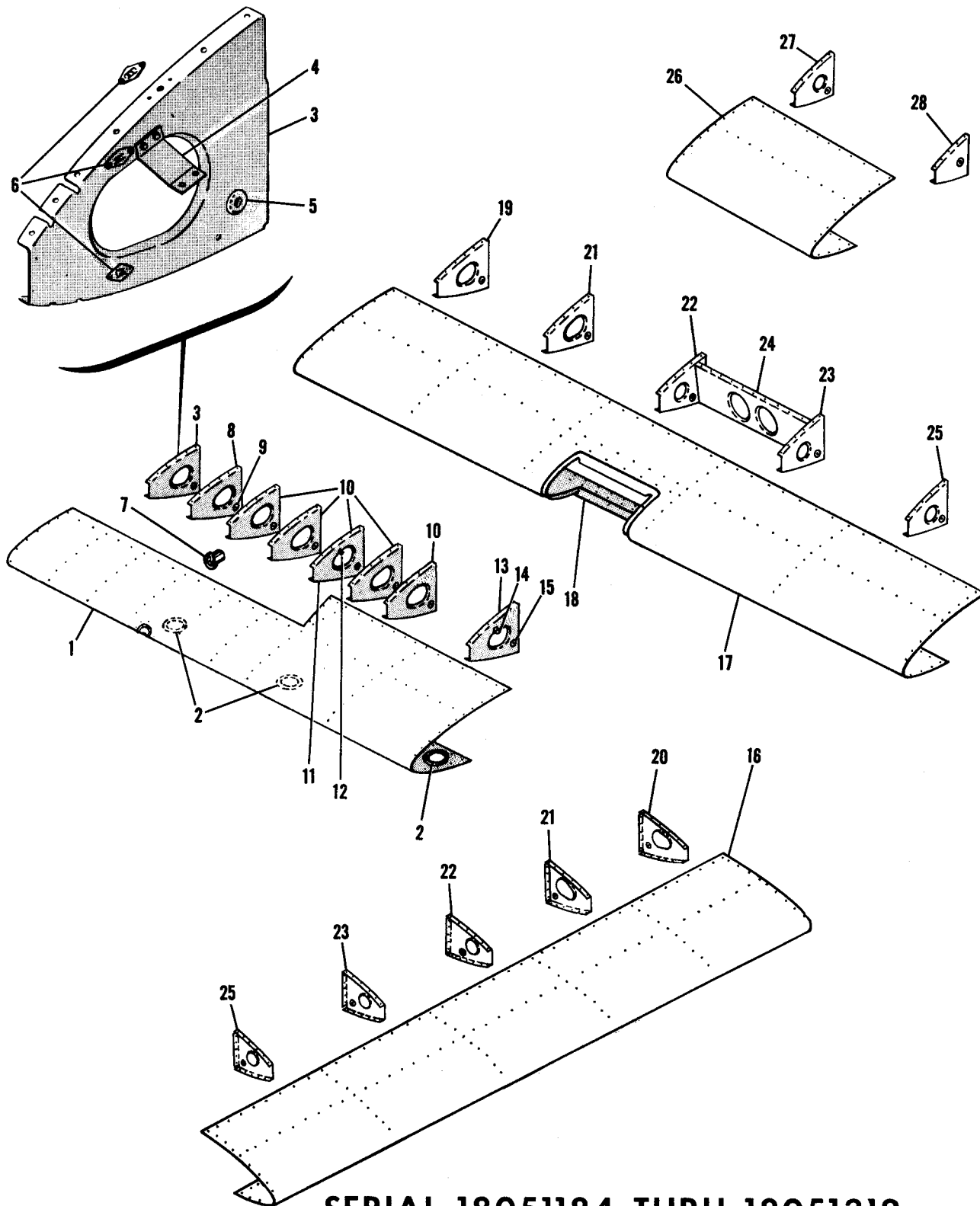
FIGURE AND INDEX NO.	PART NUMBER	DESCRIPTION	UNITS PER ASSY	USABLE ON CODE		
					1	2
6A-	0722182-21	* STRUCTURE ASSEMBLY-WING LH	1	A		
	0722182-23	* STRUCTURE ASSEMBLY-WING LH	1	A		
	0722182-20	* STRUCTURE ASSEMBLY-WING RH	1	A		
	0722182-22	* STRUCTURE ASSEMBLY-WING RH	1	A		
- 1	SEE FIG 8A	LEADING EDGE ASSEMBLIES-WING	1			
	SEE FIG 12A	SKINS & STRINGERS INSTALLATION	1			
- 2	SEE FIG 10A	SPAR ASSEMBLIES	1			
- 3	0722017-1	RIB ASSEMBLY-WING ROOT LH	1			
	0722017-2	RIB ASSEMBLY-WING ROOT RH	1			
- 4	1221101-3	REINFORCEMENT-WING ROOT RIB LH	1			
	1221101-4	REINFORCEMENT-WING ROOT RIB RH	1			
- 5	0721100-6	ANGLE-STIFFENER	1			
- 6	0721100-7	ANGLE-STIFFENER	2			
- 7	1220019-18	* RIB-LH	1			
	0720617-5	* RIB-RH	1			
- 8	0721111-21	RIB ASSEMBLY-WING FUEL BAY LH	1			
	0721111-25	RIB ASSEMBLY-WING FUEL BAY RH	1			
- 9	1220019-19	* RIB ASSEMBLY-LH STA 85.625	1			
	1220019-20	* RIB ASSEMBLY-RH STA 85.625	1			
	NAS697A08	NUTPLATE	2			
-10	0721111-23	RIB-WING FUEL BAY LH	1			
	0721111-24	RIB-WING FUEL BAY RH	1			
-11	1220019-21	* RIB-LH STA 85.625	1			
	1220019-22	* RIB-RH STA 85.625	1			
-12	0721100-7	ANGLE-STIFFENER	2			
-13	0721100-6	ANGLE-STIFFENER	1			
-14	0722201-1	RIB-CENTER STA 85.375	1			
-15	0722194-1	RIB ASSEMBLY-CENTER WING LH STA 100.00	1			
	0722194-2	RIB ASSEMBLY-CENTER WING RH STA 100.00	1			
-16	0722195-1	RIB-CENTER STA 118.00	1			
-17	0523511-6	SPACER	1			
-18	0722196-2	RIB-CENTER STA 136.00	1			
-19	0722197-1	RIB ASSEMBLY-CENTER WING LH STA 154.00	1			
	0722197-2	RIB ASSEMBLY-CENTER WING RH STA 154.00	1			
-20	0724108-1	BRACKET	1			
-21	0722198-1	RIB-CENTER STA 172.00	1			
-22	0722199-1	RIB-CENTER STA 190.00	1			
	0722200-1	RIB ASSEMBLY-CENTER LH WING STA 208.00	1			
	0722200-2	RIB ASSEMBLY-CENTER RH WING STA 208.00	1			
	NAS686A08	NUTPLATE	10			
-23	0721107-1	FAIRING-TRAILING EDGE LH STA 208.00	1			
	0721107-2	FAIRING-TRAILING EDGE RH STA 208.00	1			
-24	0523232-2	RIB-TRAILING EDGE ROOT	1			
-25	NAS395-14-3	NUT	2			
-26	1221010-15	RIB ASSEMBLY-FLAP TRACK STA 39.00 & 85.88	2			
	NAS221-8	ATTACHING PARTS	2			
	AN960-10	SCREW	2			
	MS21044N3	WASHER	2			
		NUT	2			
-27	0523233-6	* RIB-TRAILING EDGE LH STA 56.53	1			
	0523233-20	* RIB-TRAILING EDGE RH STA 56.53	1			
-28	0523233-7	RIB ASSEMBLY-TRAILING EDGE STA 72.602	1			
-29	0523233-3	RUB STRIP	1			
-30	0523230	RIB ASSEMBLY-TRAILING EDGE WING LH STA 100.50	1			
	0523230-1	RIB ASSEMBLY-TRAILING EDGE WING RH STA 100.50	1			
	0523230-4	ANGLE-WING LH	1			
	0523230-5	ANGLE-WING RH	1			
-31	0523511-4	RIB-TRAILING EDGE STA 118.00	1			
-32	0523512-4	RIB-TRAILING EDGE STA 136.00	1			
-33	0721117-3	BRACKET-FLAP BELLCRANK UPPER LH	1			
	0720606-5	DOUBLER-FLAP ACTUATOR UPPER RH STD RANGE ONLY	1			
	0720606-3	* DOUBLER-FLAP ACTUATOR UPPER RH	1			
-34	0721117-1	BRACKET-FLAP BELLCRANK LOWER LH	1			
	0720606-8	* DOUBLER-FLAP ACTUATOR LOWER RH STD RANGE ONLY	1			
	0720606-10	* DOUBLER-FLAP ACTUATOR LOWER RH	1			

CONTINUED ON NEXT PAGE

FIGURE AND INDEX NO.	PART NUMBER	DESCRIPTION							UNITS PER ASSY	USABLE ON CODE
		1	2	3	4	5	6	7		
6A-35	0760618-1	BRACKET-FLAP PULLEY UPPER LH -----							1	
	AN520-10R8	ATTACHING PARTS -----								
	MS21044N3	SCREW -----							2	
		NUT -----							2	
		---*---								
-36	0523407	BRACKET-FLAP PULLEY UPPER RH -----							1	
	0760618-2	BRACKET-FLAP PULLEY LOWER LH -----							1	
		ATTACHING PARTS -----								
	AN520-10R8	SCREW -----							2	
	MS21044N3	NUT -----							2	
		---*---								
-37	0523407-1	BRACKET-FLAP PULLEY LOWER RH -----							1	
	0523219-2	CHANNEL-AILERON BELLCRANK SUPPORT UPPER LH -----							1	
	0523219-3	CHANNEL-AILERON BELLCRANK SUPPORT UPPER RH -----							1	
	0523219-6	CHANNEL-AILERON BELLCRANK SUPPORT LOWER LH -----							1	
	0523219-7	CHANNEL-AILERON BELLCRANK SUPPORT LOWER RH -----							1	
-38	0720005-1	STIFFENER-TRAILING EDGE INBOARD -----							1	
-39	0722012-11	BULKHEAD ASSEMBLY-LH -----							1	
	0722012-16	BULKHEAD ASSEMBLY-RH -----							1	
-40	1220019-13	*	BULKHEAD ASSEMBLY-LH -----						1	
	1220019-35	*	BULKHEAD ASSEMBLY-RH -----						1	
-41	1220019-17	*	CUP RH ONLY -----						1	
-42	0721111-3	RIB-LH STA 56.531 -----							1	
	0721111-33	RIB-RH STA 56.531 -----							1	
-43	0722187-1	RIB-LEADING EDGE LH STA 100.00 -----							1	
	0722187-2	RIB-LEADING EDGE RH STA 100.00 -----							1	
-44	S1291-8	GROMMET -----							1	
-45	0523408	BRACKET-AILERON PULLEY -----							1	
-46	0722184-3	SHIM BETWEEN LE RIB & SPAR STA 32.75 -----							1	
-47	S1071-1	TUBE-63.7 IN LG BKI REF S1071-1-63.7 -----							1	
		ATTACHING PARTS -----								
	S1130-1	NUT -----							2	
	S1131-1	INSERT -----							2	
-48	AN742D4	CLAMP -----							1	
	S1021Z8-8	SCREW -----							1	
	NAS395-16-3	NUT -----							1	
-49	0422292	BRACKET -----							2	
	AN742D4	CLAMP -----							2	
	S1021Z8-8	SCREW -----							2	
	NAS395-16-3	NUT -----							2	
		---*---								
<p>NOTE. *DENOTES PARTS USED ON WING WITH EXTENDED RANGE FUELTANK.</p> <p>A---SERIAL 18502091 & ON SERIAL 18052285 & ON</p>										

This page intentionally left blank.

Wing (Cont)



SERIAL 18051184 THRU 18051312

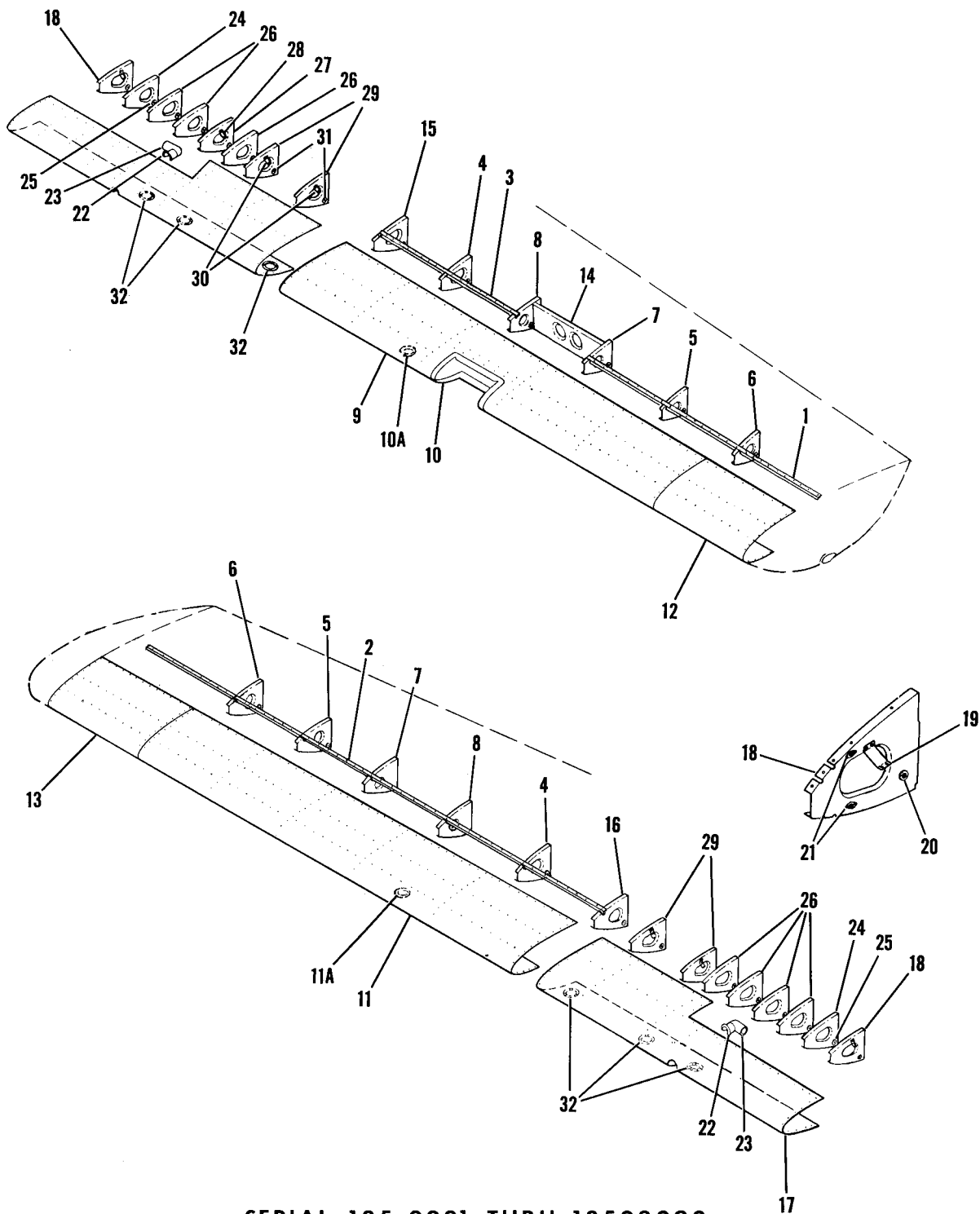
Figure 7. Wing Leading Edge Assembly

FIGURE AND INDEX NO.	PART NUMBER	DESCRIPTION	UNITS PER ASSY	USABLE ON CODE
		1 2 3 4 5 6 7		
7 -	*	LEADING EDGE ASSEMBLIES	NP	A
	0792000-9	LEADING EDGE ASSEMBLY-INBOARD LH STA 23.625 TO 100.0 ----	1	
	0792000-8	LEADING EDGE ASSEMBLY-INBOARD RH STA 23.625 TO 100.0 ----	1	
- 1	0720001-43	SKIN-LEADING EDGE INBOARD LH STA 23.625 TO 100.0 ----	1	
	0720001-42	SKIN-LEADING EDGE INBOARD RH STA 23.625 TO 100.0 ----	1	
- 2	S226-2	DOUBLER-INSPECTION OPENING	3	
	NAS444-14	NUTPLATE TIN A6162-8Z-3	9	
- 3	0523107-2	RIB ASSEMBLY-LEADING EDGE NOSE LH STA 23.625 ----	1	
	0523107-3	RIB ASSEMBLY-LEADING EDGE NOSE RH STA 23.625 ----	1	
- 4	0422291	BRACKET LH WING ONLY	1	
- 5	MS20230A2	GROMMET	2	
- 6	NAS444-14	NUTPLATE TIN A6162-8Z-3	2	
- 7	0413157	SCOOP-CABIN AIR VENT	1	
- 8	0523107	RIB ASSEMBLY-NOSE STA 32.5 ----	1	
- 9	MS20230A2	GROMMET	1	
-10	0523108	RIB ASSEMBLY-WING NOSE LH STA 40.375, 48.75 & 64.5 ----	3	
	0523108	RIB ASSEMBLY-WING NOSE RH STA 40.375, 48.75, 57.125 & 64.5 ----	4	
	0523111-2	RIB ASSEMBLY-NOSE STA 71.97 ----	1	
	MS20230A2	GROMMET	1	
-11	0523108-3	RIB ASSEMBLY-WING LEADING EDGE LH STA 57.125 ----	1	
-12	0422292	BRACKET LH WING ONLY	1	
	MS20230A2	GROMMET	1	
-13	0523111-2	RIB ASSEMBLY-LEADING EDGE STA 85.625 ----	1	
-14	0422292	BRACKET LH WING ONLY	1	
-15	MS20230A2	GROMMET	1	
	0720001-51	LEADING EDGE ASSEMBLY-WING CENTER LH STA 100.0 TO 190.0 -	1	
	0720001-54	LEADING EDGE ASSEMBLY-WING CENTER RH STA 100.0 TO 190.0 -	1	
-16	0720001-12	SKIN-LEADING EDGE RH STA 100.0 TO 190.0 ----	1	
-17	0720601-205	SKIN ASSEMBLY-LEADING EDGE LH STA 100.0 TO 190.0 ----	1	
-18	0722100-1	DOUBLER ASSEMBLY-LANDING LIGHT OPENING LH	1	
	NAS444-14	NUTPLATE TIN A6162-8Z-3	14	
-19	0523110-5	RIB ASSEMBLY-WING LEADING EDGE LH STA 100.0 ----	1	
-20	0523110-2	RIB ASSEMBLY-WING LEADING EDGE RH STA 100.0 ----	1	
	MS20230A2	GROMMET	1	
-21	0523542-1	RIB ASSEMBLY-NOSE STA 118.0 ----	1	
	MS20230A2	GROMMET	1	
-22	0523512-5	RIB ASSEMBLY-NOSE STA 136.0 ----	1	
	MS20230A2	GROMMET	1	
-23	0523513-4	RIB ASSEMBLY-NOSE STA 154.0 ----	1	
	MS20230A2	GROMMET	1	
-24	0523106-4	BRACKET ASSEMBLY-LANDING LIGHT LH WING ONLY	1	
	NAS680A08	NUTPLATE	10	
-25	0523514-4	RIB ASSEMBLY-NOSE STA 172.0 ----	1	
	MS20230A2	GROMMET	1	
	0720001-52	LEADING EDGE ASSEMBLY-WING LH	1	
	0720001-55	LEADING EDGE ASSEMBLY-WING RH	1	
-26	0720601-15	SKIN-WING LH STA 190.0 TO 205.0 ----	1	
	0720601-16	SKIN-WING RH STA 190.0 TO 205.0 ----	1	
-27	0523515-4	RIB ASSEMBLY-NOSE STA 190.0 ----	1	
	MS20230A2	GROMMET	1	
-28	0720608-2	RIB ASSEMBLY-NOSE STA 208.0 ----	1	
	MS20230A2	GROMMET	1	

NOTE. *FOR 180 & 185 EXTENDED RANGE & 185 STANDARD WING LEADING EDGE SEE FIGURE 8

A---SERIAL 18051184 THRU 18051312 STANDARD WING LEADING EDGE ONLY

Wing (Cont)



SERIAL 185-0001 THRU 18502090
SERIAL 18051184 THRU 18052284

Figure 8. Wing Leading Edge Assembly

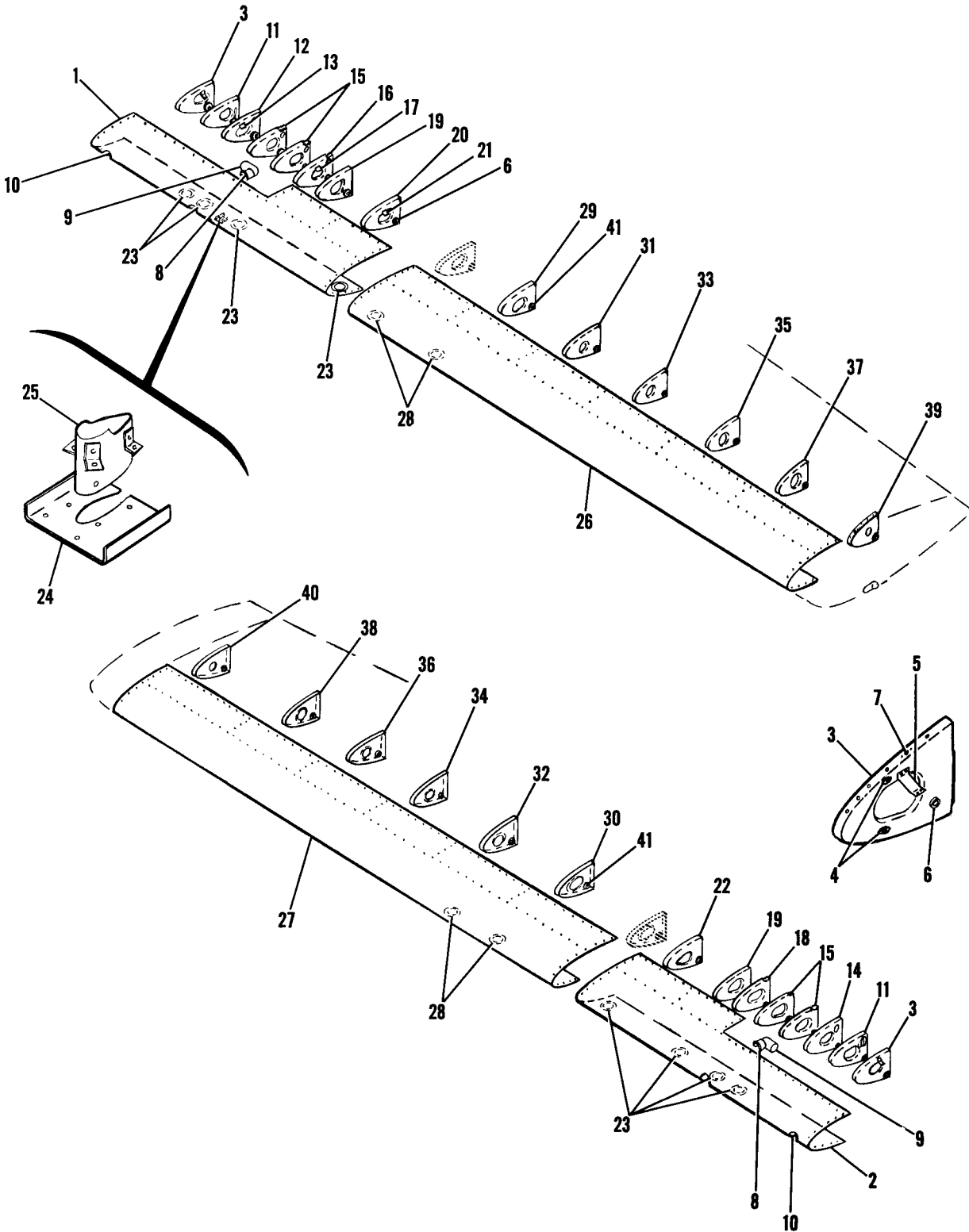
FIGURE AND INDEX NO.	PART NUMBER	DESCRIPTION	UNITS PER ASSY	USABLE ON CODE
		1 2 3 4 5 6 7		
8 -		* LEADING EDGE ASSEMBLIES -----	NP	A
		* LEADING EDGE ASSEMBLIES-EXTENDED RANGE -----	NP	B
	1220002-37	LEADING EDGE ASSEMBLY-CENTER LH STA 100.0 TO 208.0 -----	1	
	1220002-36	LEADING EDGE ASSEMBLY-CENTER RH STA 100.0 TO 208.0 -----	1	
- 1	0523541-61	STRINGER-LH -----	1	
- 2	0523541-62	STRINGER-RH -----	1	
- 3	0523541-63	STRINGER-LH -----	1	
- 4	0720602-1	RIB ASSEMBLY-NOSE STA 118.00 -----	1	
	MS2030A2	GROMMET -----	1	
- 5	0720607-3	RIB ASSEMBLY STA 172.00 -----	1	
	MS20230A2	GROMMET -----	1	
- 6	0720607-4	RIB ASSEMBLY STA 190.00 -----	1	
	MS20230A2	GROMMET -----	1	
- 7	0720608-3	RIB ASSEMBLY STA 154.00 -----	1	
	MS20230A2	GROMMET -----	1	
- 8	0720609-1	RIB ASSEMBLY-NOSE STA 136.00 -----	1	
	MS20230A2	GROMMET -----	1	
- 9	1220002-215	SKIN ASSEMBLY-LEADING EDGE LH -----	1	
-10	0722100-1	DOUBLER ASSEMBLY-LANDING LIGHT -----	1	
-10A	S226-5F	DOUBLER ASSEMBLY-INSPECTION OPENING -----	1	
-11	1220002-38	SKIN-LEADING EDGE RH WHEN EXHAUSTED USE 1220002-84 -----	1	J
	1220002-84	SKIN ASSEMBLY-LEADING EDGE RH -----	1	K
-11A	S226-5F	DOUBLER ASSEMBLY-INSPECTION OPENING -----	1	K
-12	1220002-41	SKIN-LEADING EDGE LH -----	1	
-13	1220002-40	SKIN-LEADING EDGE RH -----	1	
-14	0523106-4	BRACKET ASSEMBLY-LANDING LIGHT LH WING ONLY -----	1	
	NAS680A08	NUTPLATE -----	10	
-15	0720610-1	RIB ASSEMBLY-NOSE LH STA 100.00 -----	1	
-16	0720610-2	RIB ASSEMBLY-NOSE RH STA 100.00 -----	1	
	MS20230A2	GROMMET -----	1	
	1220002-207	LEADING EDGE ASSEMBLY-INBOARD LH -----	1	E
	1220002-51	LEADING EDGE ASSEMBLY-INBOARD LH -----	1	F
	1220003-209	LEADING EDGE ASSEMBLY-INBOARD LH EXTENDED RANGE ONLY -----	1	G
	1220003-18	LEADING EDGE ASSEMBLY-INBOARD LH EXTENDED RANGE ONLY -----	1	H
	1220002-50	LEADING EDGE ASSEMBLY-INBOARD RH -----	1	A
	1220004-18	LEADING EDGE ASSEMBLY-INBOARD RH EXTENDED RANGE ONLY -----	1	B
-17	1220002-53	SKIN-LEADING EDGE INBOARD LH WHEN EXHAUSTED -----	1	C
	1220002-77	SKIN-LEADING EDGE INBOARD LH -----	1	D
	1220002-79	SKIN-LEADING EDGE INBOARD LH -----	1	F
	1220003-27	SKIN-LEADING EDGE INBOARD LH EXTENDED RANGE ONLY -----	1	G
	1220003-28	SKIN-LEADING EDGE INBOARD LH EXTENDED RANGE ONLY -----	1	H
	1220002-52	SKIN-LEADING EDGE INBOARD RH -----	1	A
	1220004-17	SKIN-LEADING EDGE INBOARD RH EXTENDED RANGE ONLY -----	1	B
-18	0523107-2	RIB ASSEMBLY-LEADING EDGE NOSE LH STA 23.625 -----	1	
	0523107-3	RIB ASSEMBLY-LEADING EDGE NOSE RH STA 23.625 -----	1	
-19	0422291	BRACKET LH WING ONLY -----	1	
-20	MS20230A2	GROMMET -----	2	
-21	NAS444-14-3	NUTPLATE -----	2	
-22	0413157	SCOOP-CABIN AIR VENT -----	1	
-23	0450314	FITTING-CABIN AIR VENT -----	1	
	S1021Z8-8	ATTACHING PARTS -----	1	
	NAS446-4-3	SCREW -----	1	
		NUT -----	1	
		-----*		
-24	0523107	RIB ASSEMBLY-NOSE STA 32.5 -----	1	
-25	MS20230A2	GROMMET -----	1	
-26	0523108	RIB ASSEMBLY-LH STA 40.375, 48.75, & 64.5 -----	3	
	MS20230A2	GROMMET -----	1	
-27	0523108-3	RIB ASSEMBLY-WING LEADING EDGE LH STA 57,125 -----	1	
-28	0422292	BRACKET LH WING ONLY -----	1	
	MS20230A2	GROMMET -----	1	

CONTINUED ON NEXT PAGE

FIGURE AND INDEX NO.	PART NUMBER	DESCRIPTION	UNITS PER ASSY	USABLE ON CODE
8 -29 -30 -31 -32	0523111-2 0422292 MS20230A2 S226-5F S1860-2A	<p style="text-align: center;">1 2 3 4 5 6 7</p> <p>RIB ASSEMBLY-NOSE STA 71.977 & 85.625 ----- BRACKET ----- GROMMET ----- DOUBLER-INSPECTION OPENING ----- NUT -----</p>	2 1 1 3 3	
<p style="text-align: center;">NOTE. *FOR 180 STANDARD WING LEADING EDGE SERIALS 18051184 THRU 18051312 SEE FIGURE 7</p>				
<p>A---SERIAL 185-0001 THRU 18502090 STD WING LEADING EDGE SERIAL 18051313 THRU 18052284 STD WING LEADING EDGE B---SERIAL 185-0001 THRU 18502090 EXTENDED RANGE WING LEADING EDGE ONLY SERIAL 18051184 THRU 18052284 EXTENDED RANGE WING LEADING EDGE ONLY C---SERIAL 185-0001 THRU 185-0967 STD WING LEADING EDGE SERIAL 18051313 THRU 18051607 STD WING LEADING EDGE D---SERIAL 185-0968 THRU 185-1197 & 185-1200 STANDARD WING LEADING EDGE SERIAL 18051608 THRU 18051823 STD WING LEADING EDGE E---SERIAL 185-0001 THRU 185-1197 & 185-1200 STANDARD WING LEADING EDGE SERIAL 18051313 THRU 18051823 STD WING LEADING EDGE F---SERIAL 185-1198, 185-1199, 185-1201 THRU 18502090 STANDARD WING LEADING EDGE SERIAL 18051824 THRU 18052284 STD WING LEADING EDGE G---SERIAL 185-0001 THRU 185-1197 & 185-1200 EXTENDED RANGE WING LEADING EDGE ONLY SERIAL 18051184 THRU 18051823 EXTENDED RANGE WING LEADING EDGE ONLY H---SERIAL 185-1198, 185-1199, 185-1201 THRU 18502090 EXTENDED RANGE WING LEADING EDGE ONLY SERIAL 18051824 THRU 18052284 EXTENDED RANGE WING LEADING EDGE ONLY J---SERIAL 185-0001 THRU 185-1300 SERIAL 18051313 THRU 18051875 STD WING LEADING EDGE SERIAL 18051184 THRU 18051875 EXTENDED RANGE LEADING EDGE K---SERIAL 185-1301 THRU 18502090 SERIAL 18051876 THRU 18052284</p>				

This page intentionally left blank.

Wing (Cont)



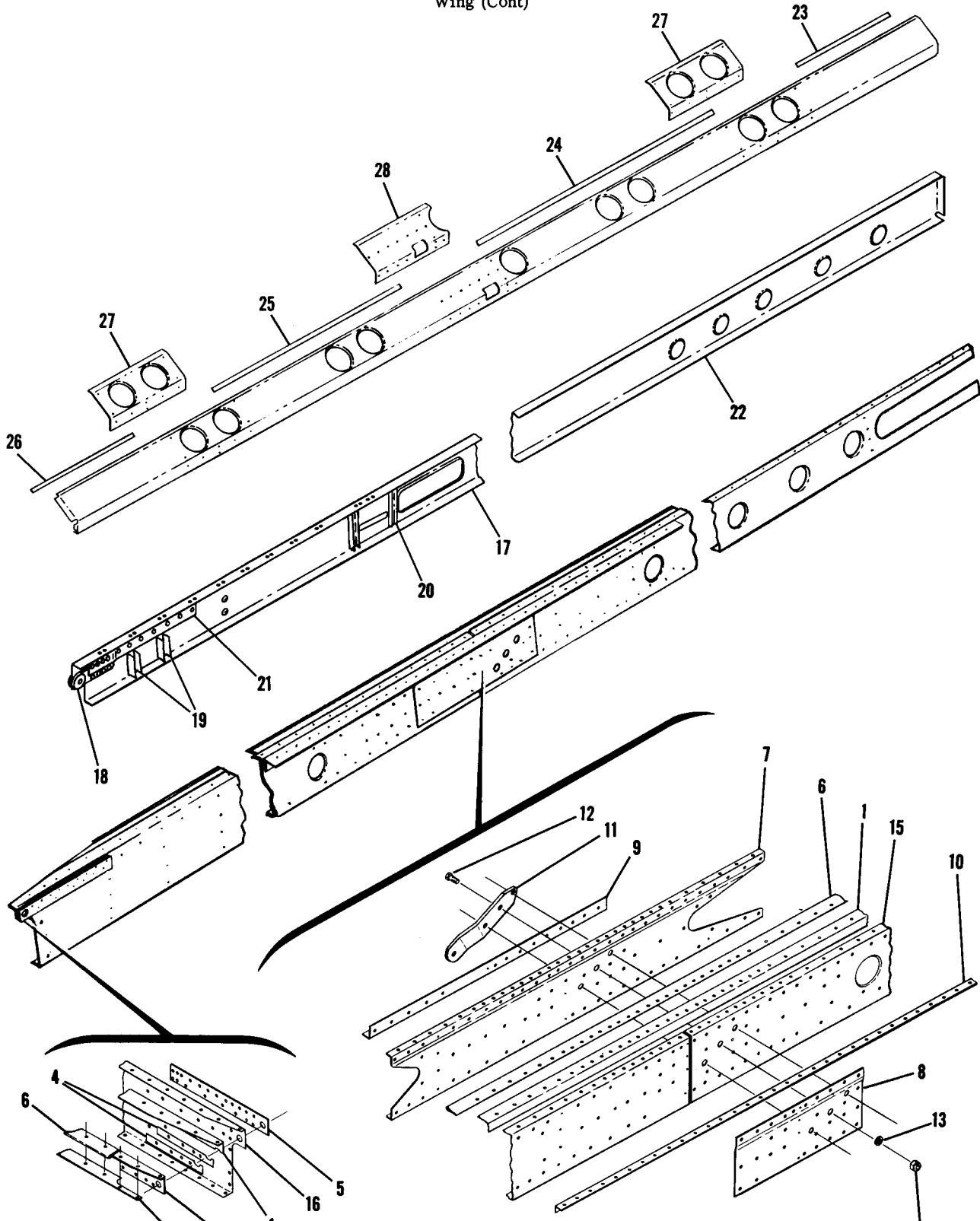
SERIAL 18502091 & ON
SERIAL 18052285 & ON

Figure 8A. Wing Leading Edge Assembly

FIGURE AND INDEX NO.	PART NUMBER	DESCRIPTION	UNITS PER ASSY	USABLE ON CODE
		1 2 3 4 5 6 7		
8A-	0722180-29	LEADING EDGE ASSY-WING INBOARD LH STANDARD RANGE -----	1	A
	0722180-30	LEADING EDGE ASSY-WING INBOARD RH STANDARD RANGE -----	1	A
	0722180-31	LEADING EDGE ASSY-WING INBOARD LH EXTENDED RANGE -----	1	A
	0722180-32	LEADING EDGE ASSY-WING INBOARD RH EXTENDED RANGE -----	1	A
- 1	0722180-37	SKIN-LEADING EDGE INBOARD LH STANDARD RANGE -----	1	
	0722180-39	SKIN-LEADING EDGE INBOARD LH EXTENDED RANGE -----	1	
- 2	0722180-30	SKIN-LEADING EDGE INBOARD RH STANDARD RANGE -----	1	
	0722180-40	SKIN-LEADING EDGE INBOARD RH EXTENDED RANGE -----	1	
- 3	0722183-13	RIB ASSEMBLY-NOSE LH STA 24.375 -----	1	
	0722183-14	RIB ASSEMBLY-NOSE RH STA 24.375 -----	1	
- 4	S1863-3	NUTPLATE -----	2	
- 5	0422291	BRACKET-PITOT LH ONLY -----	1	
- 6	S1291-8	GROMMET -----	8	
- 7	S1860-2A	NUTPLATE UPPER -----	1	
	A6204-8Z3	NUTPLATE LOWER -----	1	
- 8	0722203-1	SCOODP-CABIN AIR VENT -----	1	
- 9	0450314-1	FITTING ASSEMBLY-CABIN AIR VENT -----	1	
		ATTACHING PARTS -----		
	S1021Z8-8	SCREW -----	1	
	NAS446-4-3	NUT -----	1	
		-----*		
-10	1200637-5	SCOODP ASSEMBLY-AIR -----	1	
	0700692-1	CAP-AIR INLET -----	1	
		ATTACHING PARTS -----		
	NAS397-22	CLAMP -----	1	
	AN960-4	WASHER -----	4	
		-----*		
-11	0722184-2	RIB-NOSE STA 32.75 -----	1	
-12	0722185-5	RIB ASSEMBLY-NOSE LH STA 40.125 -----	1	
-13	0422292	BRACKET -----	1	
-14	0722185-1	RIB-NOSE RH STA 40.125 -----	1	
-15	0722185-2	RIB-NOSE STA 49.00 & STA 57.37 -----	2	
-16	0722185-6	RIB ASSEMBLY-NOSE LH STA 64.25 -----	1	
-17	0422292	BRACKET -----	1	
-18	0722185-2	RIB-NOSE RH STA 64.25 -----	1	
-19	0722186-1	RIB-NOSE STA 72.352 -----	1	
-20	0722186-3	RIB ASSEMBLY-NOSE LH STA 85.375 -----	1	
-21	0422292	BRACKET -----	1	
-22	0722186-1	RIB-NOSE RH STA 85.375 -----	1	
-23	S226-2	DOUBLER ASSEMBLY-ACCESS -----	4	
	NAS444-14-3	NUT -----	3	
-24	0721114-3	DOUBLER-PITOT REINFORCEMENT LH ONLY -----	1	
-25	0721115-1	CONNECTOR ASSEMBLY-PITOT TUBE LH ONLY -----	1	
	0722180-7	LEADING EDGE ASSY-WING OUTBOARD LH -----	1	A
	0722180-8	LEADING EDGE ASSY-WING OUTBOARD RH -----	1	A
-26	0722180-23	SKIN-LEADING EDGE LH -----	1	
-27	0722180-24	SKIN-LEADING EDGE RH -----	1	
-28	S226-2	DOUBLER ASSEMBLY-ACCESS -----	2	
	NAS444-14-3	NUT -----	3	
-29	0722188-1	RIB-NOSE LH STA 118.00 -----	1	
-30	0722188-2	RIB-NOSE RH STA 118.00 -----	1	
-31	0722189-1	RIB-NOSE LH STA 136.00 -----	1	
-32	0722189-2	RIB-NOSE RH STA 136.00 -----	1	
-33	0722190-1	RIB-NOSE LH STA 154.00 -----	1	
-34	0722190-2	RIB-NOSE RH STA 154.00 -----	1	
-35	0722191-1	RIB-NOSE LH STA 172.00 -----	1	
-36	0722191-2	RIB-NOSE RH STA 172.00 -----	1	
-37	0722192-1	RIB-NOSE LH STA 190.00 -----	1	
-38	0722192-2	RIB-NOSE RH STA 190.00 -----	1	
-39	0722193-1	RIB ASSEMBLY-NOSE LH STA 208.00 -----	1	
-40	0722193-2	RIB ASSEMBLY-NOSE RH STA 208.00 -----	1	
	NAS696A08	NUTPLATE -----	2	
-41	S1291-8	GROMMET -----	6	

A---SERIAL 18502091 & DN
SERIAL 18052285 & DN

Wing (Cont)



SERIAL 18051184 THRU 18051312

Figure 9. Wing Spars Assemblies

FIGURE AND INDEX NO.	PART NUMBER	DESCRIPTION	UNITS PER ASSY	USABLE ON CODE
		1 2 3 4 5 6 7		
9 -		* SPAR ASSEMBLIES-WING -----	NP	A
	0721400-21	SPAR ASSEMBLY-WING FRONT LH -----	1	
	0721400-22	SPAR ASSEMBLY-WING FRONT RH -----	1	
- 1	0721400-3	ANGLE-FRONT SPAR CAP LH -----	1	
	0721400-4	ANGLE-FRONT SPAR CAP RH -----	1	
- 2	0523309	ANGLE-FRONT SPAR LH -----	1	
	0523309-1	ANGLE-FRONT SPAR RH -----	1	
- 3	0721400-10	SPACER-FRONT SPAR -----	1	
- 4	0721400-9	SPACER-FRONT SPAR WHEN EXHAUSTED USE 0721400-35 -----	2	
	0721400-35	SPACER-FRONT SPAR .125 THICK -----	1	
- 5	0523308	PLATE-FRONT SPAR REINFORCEMENT -----	1	
- 6	0523315	PLATE-FRONT SPAR CAP LH -----	1	
	0523315-1	PLATE-FRONT SPAR CAP RH -----	1	
- 7	0721400-13	CHANNEL-FRONT SPAR SPLICE LH -----	1	
	0721400-14	CHANNEL-FRONT SPAR SPLICE RH -----	1	
- 8	0721400-17	PLATE-FRONT SPAR SPLICE CHANNEL LH -----	1	
	0721400-18	PLATE-FRONT SPAR SPLICE CHANNEL RH -----	1	
- 9	0523316	ANGLE-FRONT SPAR SPLICE LH -----	1	
	0523316-1	ANGLE-FRONT SPAR SPLICE RH -----	1	
-10	0523321-3	ANGLE-FRONT SPAR FORWARD CAP STRIP LH -----	1	
	0523321-4	ANGLE-FRONT SPAR FORWARD CAP STRIP RH -----	1	
-11	0523306	FITTING-FRONT SPAR STRUT -----	1	
		ATTACHING PARTS		
-12	AN5-7A	BOLT -----	3	
-13	AN960-516	WASHER -----	3	
-14	NAS679A5	NUT -----	3	
		-----*		
-15	0721400-19	CHANNEL-FRONT SPAR OUTBOARD LH -----	1	
	0721400-20	CHANNEL-FRONT SPAR OUTBOARD RH -----	1	
-16	0721400-23	CHANNEL-FRONT SPAR INBOARD LH WHEN EXHAUSTED -----	1	
		USE 0721400-27		
	0721400-27	CHANNEL-FRONT SPAR INBOARD LH -----	1	
	0721400-24	CHANNEL-FRONT SPAR INBOARD RH WHEN EXHAUSTED -----	1	
		USE 0721400-28		
	0721400-28	CHANNEL-FRONT SPAR INBOARD RH -----	1	
	0523400-55	SPAR ASSEMBLY-WING REAR LH -----	1	
	0523400-54	SPAR ASSEMBLY-WING REAR RH -----	1	
-17	0523400-52	SEGMENT ASSEMBLY-REAR SPAR LH STA 23.0 TO 100.0 -----	1	
	0523400-53	SEGMENT ASSEMBLY-REAR SPAR RH STA 23.0 TO 100.0 -----	1	
-18	0422229-3	FITTING-WING SPAR REINFORCEMENT WHEN -----	2	
		EXHAUSTED USE 0422229-11		
	0422229-11	FITTING-WING SPAR REINFORCEMENT -----	2	
-19	0523409-1	CHANNEL-REINFORCEMENT -----	2	
-20	0523409	CHANNEL-REINFORCEMENT -----	3	
-21	0523400-20	ANGLE-REAR SPAR REINFORCEMENT LH -----	1	
	0523400-21	ANGLE-REAR SPAR REINFORCEMENT RH -----	1	
-22	0523406	SEGMENT-REAR SPAR OUTBOARD LH STA 100.0 TO 154.0 -----	1	
		WHEN EXHAUSTED USE 0523406-3		
	0523406-3	SEGMENT-REAR SPAR OUTBOARD LH STA 100.0 TO 154.0 -----	1	
	0523406-1	SEGMENT-REAR SPAR OUTBOARD RH STA 100.0 TO 154.0 -----	1	
		WHEN EXHAUSTED USE 0523406-2		
	0523406-2	SEGMENT-REAR SPAR OUTBOARD RH STA 100.0 TO 154.0 -----	1	
	0523005-50	SPAR ASSEMBLY-OUTBOARD AUXILIARY LH -----	1	
	0523005-51	SPAR ASSEMBLY-OUTBOARD AUXILIARY RH -----	1	
-23	0523813-3	FILLER-TRAILING EDGE -----	1	
-24	0523813-2	FILLER-TRAILING EDGE -----	1	
-25	0523813-4	FILLER-TRAILING EDGE -----	1	
-26	0523813-5	FILLER-TRAILING EDGE -----	1	
-27	0523216	REINFORCEMENT -----	2	
-28	0523215	REINFORCEMENT-WING LH -----	1	
	0523215-1	REINFORCEMENT-WING RH -----	1	
		NOTE. *FOR 180 & 185 EXTENDED RANGE & 185 STANDARD WING SPAR ASSEMBLIES SEE FIGURE 10		
		A---SERIAL 18051184 THRU 18051312 STANDARD WING SPARS		

Wing (Cont)

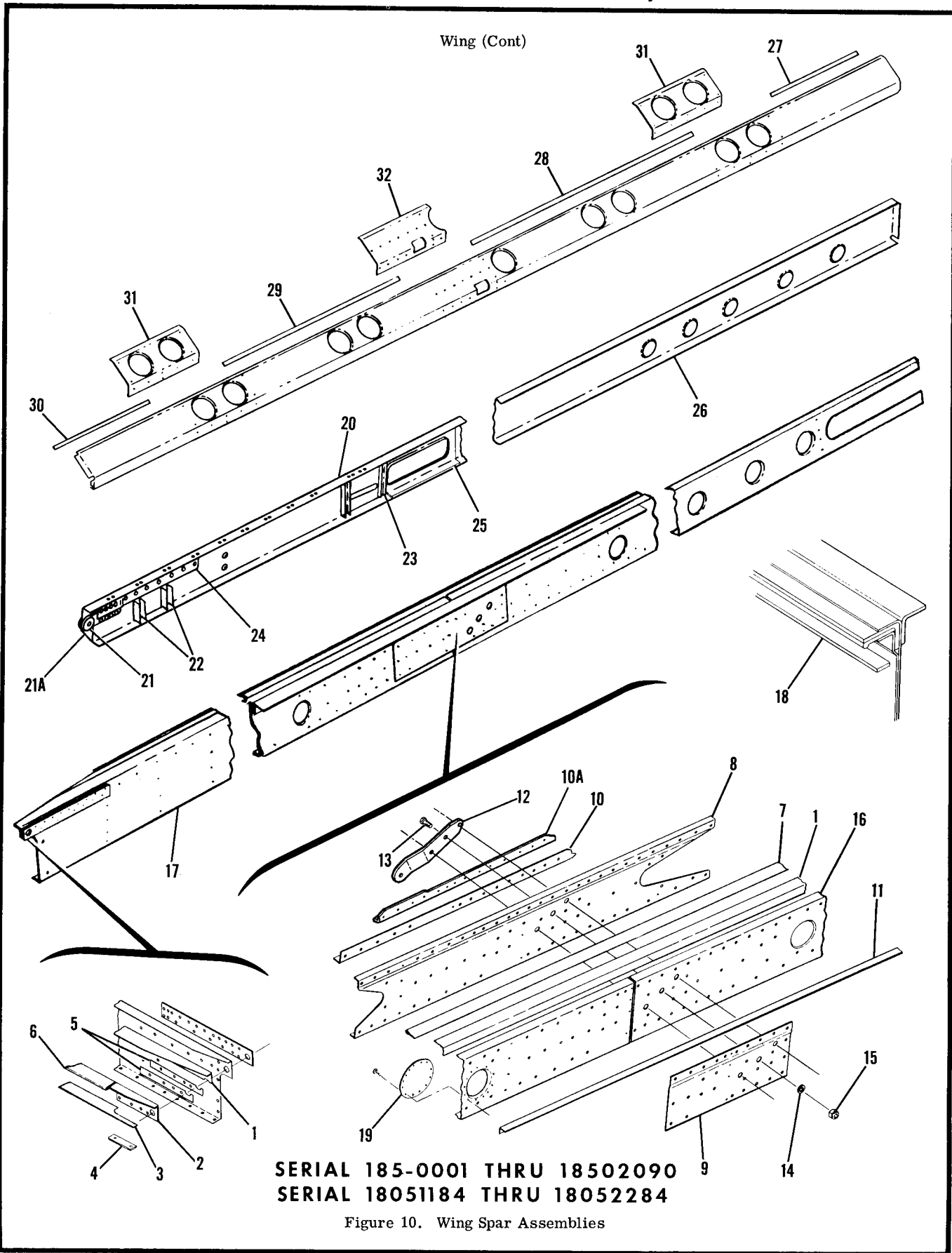


Figure 10. Wing Spar Assemblies



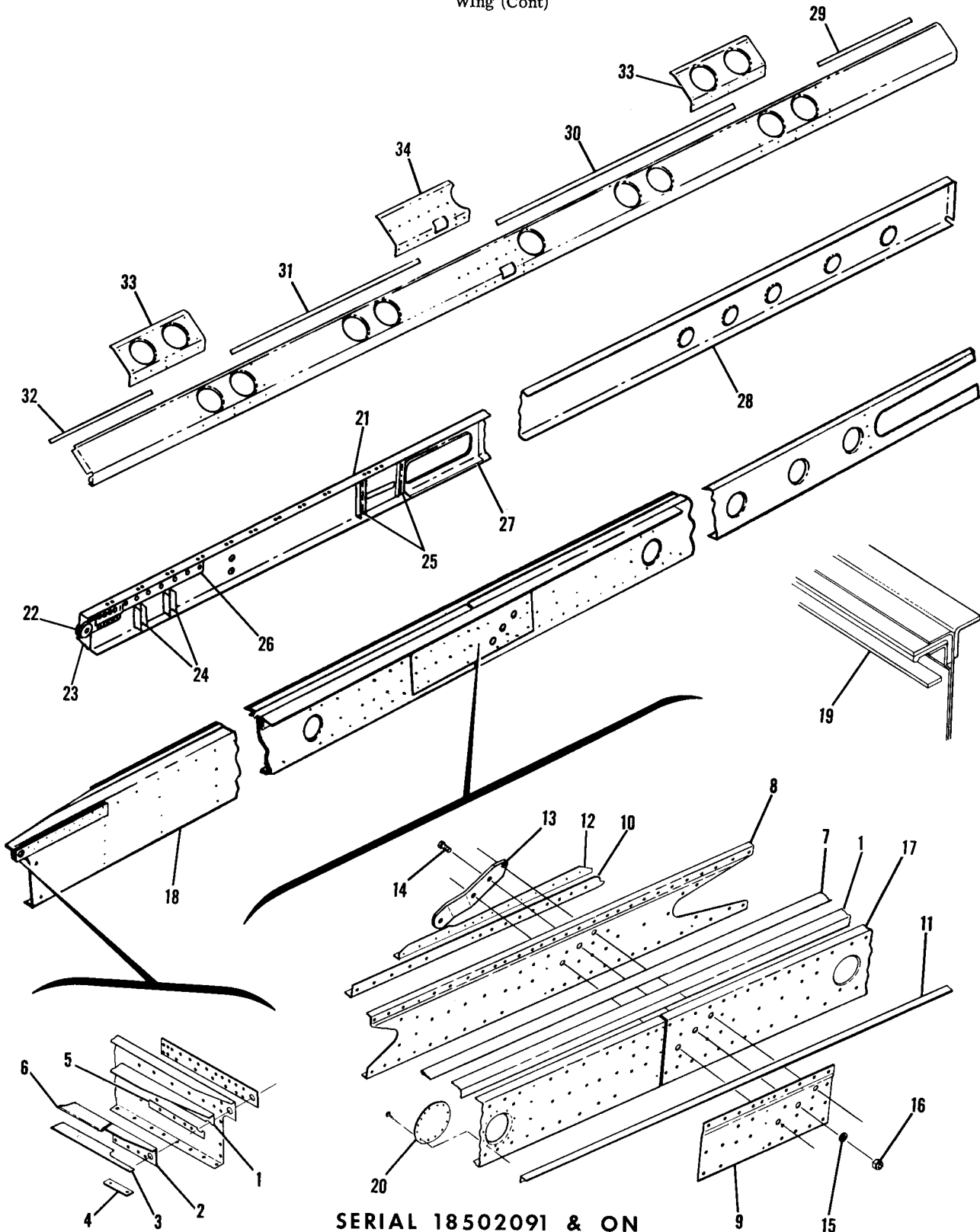
FIGURE AND INDEX NO.	PART NUMBER	DESCRIPTION							UNITS PER ASSY	USABLE ON CODE	
		1	2	3	4	5	6	7			
10 -		*	SPAR ASSEMBLIES-WING -----							NP	A
		*	SPAR ASSEMBLIES-WING EXTENDED RANGE -----							NP	B
	0721401-1		SPAR ASSEMBLY-WING FRONT LH -----							1	M
	0721401-19		SPAR ASSEMBLY-WING FRONT LH -----							1	P
	0721401-3		SPAR ASSEMBLY-WING FRONT LH EXTENDED RANGE WING -----							1	N
	0721401-17		SPAR ASSEMBLY-WING FRONT LH EXTENDED RANGE WING -----							1	P
	0721401-2		SPAR ASSEMBLY-WING FRONT RH -----							1	M
	0721401-20		SPAR ASSEMBLY-WING FRONT RH -----							1	P
	0721401-4		SPAR ASSEMBLY-WING FRONT RH EXTENDED RANGE WING -----							1	N
	0721401-18		SPAR ASSEMBLY-WING FRONT RH EXTENDED RANGE WING -----							1	P
- 1	0721400-3		ANGLE-FRONT SPAR CAP LH -----							1	
	0721400-4		ANGLE-FRONT SPAR CAP RH -----							1	
- 2	0523309		ANGLE-FRONT SPAR LH -----							1	
	0523309-1		ANGLE-FRONT SPAR RH -----							1	
- 3	0721400-34		SPACER-FRONT SPAR -----							1	A
	0721400-32		SPACER -----							1	B
- 4	1221024-1		SPACER-UPPER FUEL PANEL -----							1	
- 5	0721400-9		SPACER-FRONT SPAR WHEN EXHAUSTED USE 0721400-35 -----							2	H
	0721400-35		SPACER-FRONT SPAR .125 THICK -----							1	J
- 6	0523308		PLATE-FRONT SPAR ROOT REINFORCEMENT -----							1	
- 7	0523315		PLATE-FRONT SPAR CAP LH -----							1	
	0523315-1		PLATE-FRONT SPAR CAP RH -----							1	
- 8	0721400-13		CHANNEL-FRONT SPAR SPLICE LH -----							1	
	0721400-14		CHANNEL-FRONT SPAR SPLICE RH -----							1	
- 9	0721400-17		PLATE-FRONT SPAR SPLICE CHANNEL LH -----							1	
	0721400-18		PLATE-FRONT SPAR SPLICE CHANNEL RH -----							1	
-10	0721402-3		ANGLE-FRONT SPAR SPLICE LH -----							1	
	0721402-4		ANGLE-FRONT SPAR SPLICE RH -----							1	
-10A	0721401-13		STIFFENER-LH -----							1	P
	0721401-14		STIFFENER-RH -----							1	P
-11	0721402-1		ANGLE-FRONT SPAR FORWARD CAP STRIP LH -----							1	
	0721402-2		ANGLE-FRONT SPAR FORWARD CAP STRIP RH -----							1	
-12	0523306		FITTING-FRONT SPAR STRUT -----							1	
			ATTACHING PARTS								
-13	AN5-7A		BOLT -----							3	
-14	AN960-516		WASHER -----							3	
-15	NAS679A5		NUT -----							3	
			*-----								
-16	0721401-7		CHANNEL-FRONT SPAR OUTBOARD LH -----							1	
	0721401-8		CHANNEL-FRONT SPAR OUTBOARD RH -----							1	
-17	0721401-5		CHANNEL-FRONT SPAR INBOARD LH -----							1	
	0721401-6		CHANNEL-FRONT SPAR INBOARD RH -----							1	
-18	0721400-33		SPACER -----							1	B
-19	0721400-31		COVER -----							1	
			ATTACHING PARTS								
	CR163-4-4		RIVET CY -----							13	
			*-----								
-20	0523400-61		SPAR ASSEMBLY-WING REAR LH WHEN EXHAUSTED -----							1	C
	0523400-73		USE 0523400-73 -----							1	D
	0523400-81		SPAR ASSEMBLY-WING REAR LH WHEN EXHAUSTED -----							1	E
	0523400-91		USE 0523400-91 -----							1	L
	0523400-111		SPAR ASSEMBLY-WING REAR LH -----							1	P
	0523400-60		SPAR ASSEMBLY-WING REAR RH WHEN EXHAUSTED -----							1	C
	0523400-72		USE 0523400-72 -----							1	D
	0523400-80		SPAR ASSEMBLY-WING REAR RH WHEN EXHAUSTED -----							1	E
	0523400-90		USE 0523400-90 -----							1	L
	0523400-112		SPAR ASSEMBLY-WING REAR RH -----							1	P
-21	0422229-11		FITTING-WING SPAR REINFORCEMENT -----							2	
-21A	1620058-1		DOUBLER-REAR SPAR -----							1	P
-22	0523409-1		CHANNEL-REINFORCEMENT -----							2	
-23	0523409-2		CHANNEL-REINFORCEMENT -----							2	
-24	0523400-20		ANGLE-REAR SPAR REINFORCEMENT LH -----							1	
	0523400-21		ANGLE-REAR SPAR REINFORCEMENT RH -----							1	

CONTINUED ON NEXT PAGE

FIGURE AND INDEX NO.	PART NUMBER	DESCRIPTION	UNITS PER ASSY	USABLE ON CODE	
					1 2 3 4 5 6 7
10 -25	0523400-59	DOUBLER-LH WHEN EXHAUSTED USE 0523400-79 -----	1	C	
	0523400-79	DOUBLER-LH WHEN EXHAUSTED USE 0523400-87 -----	1	D	
	0523400-87	DOUBLER-LH WHEN EXHAUSTED USE 0523400-97 -----	1	E	
	0523400-97	DOUBLER-LH -----	1	K	
	0523400-58	DOUBLER-RH WHEN EXHAUSTED USE 0523400-78 -----	1	C	
	0523400-78	DOUBLER-RH WHEN EXHAUSTED USE 0523400-86 -----	1	D	
	0523400-86	DOUBLER-RH WHEN EXHAUSTED USE 0523400-96 -----	1	E	
	0523400-96	DOUBLER-RH -----	1	K	
	-26	0523406	SEGMENT-REAR SPAR OUTBOARD LH STA 100.0 TO 154.0 -----	1	F
			WHEN EXHAUSTED USE 0523406-3		
0523406-3		SEGMENT-REAR SPAR OUTBOARD LH STA 100.0 TO 154.0 -----	1	G	
0523406-1		SEGMENT-REAR SPAR OUTBOARD RH STA 100.0 TO 154.0 -----	1	F	
		WHEN EXHAUSTED USE 0523406-2			
0523406-2		SEGMENT-REAR SPAR OUTBOARD RH STA 100.0 TO 154.0 -----	1	G	
0523005-50		SPAR ASSEMBLY-OUTBOARD AUXILIARY LH -----	1		
0523005-51		SPAR ASSEMBLY-OUTBOARD AUXILIARY RH -----	1		
-27		0523813-3	FILLER-TRAILING EDGE -----	1	
-28		0523813-2	FILLER-TRAILING EDGE -----	1	
-29	0523813-4	FILLER-TRAILING EDGE -----	1		
-30	0523813-5	FILLER-TRAILING EDGE -----	1		
-31	0523216	REINFORCEMENT -----	2		
-32	0523215	REINFORCEMENT-WING LH -----	1		
	0523215-1	REINFORCEMENT-WING RH -----	1		
<p>NOTE. *FOR 180 STANDARD WING SPAR ASSEMBLIES SERIALS 18051184 THRU 18051312 SEE FIGURE 9</p> <p>A---SERIAL 185-0001 THRU 18502090 STD WING SPARS SERIAL 18051313 THRU 18052284 STD WING SPARS</p> <p>B---SERIAL 185-0001 THRU 18502090 EXTENDED RANGE WING SPARS ONLY SERIAL 18051184 THRU 18052284 EXTENDED RANGE WING SPARS ONLY</p> <p>C---SERIAL 185-0001 THRU 185-1300 SERIAL 18051184 THRU 18051875</p> <p>D---SERIAL 185-1301 THRU 185-1401 SERIAL 18051876 THRU 18051954</p> <p>E---SERIAL 185-1402 THRU 185-1576 SERIAL 18051955 THRU 18052090</p> <p>F---SERIAL 185-0001 THRU 185-1335 SERIAL 18051184 THRU 18051910</p> <p>G---SERIAL 185-1336 THRU 18502090 SERIAL 18051911 THRU 18052284</p> <p>H---SERIAL 185-0001 THRU 185-1577 SERIAL 18051184 THRU 18052105</p> <p>J---SERIAL 185-1578 THRU 18502090 SERIAL 18052106 THRU 18052284</p> <p>K---SERIAL 185-1577 THRU 18502090 SERIAL 18052091 THRU 18052284</p> <p>L---SERIAL 185-1577 THRU 18501930, 18501932 THRU 18501934 SERIAL 18052091 THRU 18052222</p> <p>M---SERIAL 185-0001 THRU 18501930, 18501932 THRU 18501934 STD WING SPARS SERIAL 18051313 THRU 18052222 STD WING SPARS</p> <p>N---SERIAL 185-0001 THRU 18501930, 18501932 THRU 18501934 EXTENDED RANGE WING SPARS SERIAL 18051184 THRU 18052222 EXTENDED RANGE WING SPARS</p> <p>P---SERIAL 18501931, 18501935 THRU 18502090 SERIAL 18052223 THRU 18052284</p>					

This page intentionally left blank.

Wing (Cont)



SERIAL 18502091 & ON
SERIAL 18052285 & ON

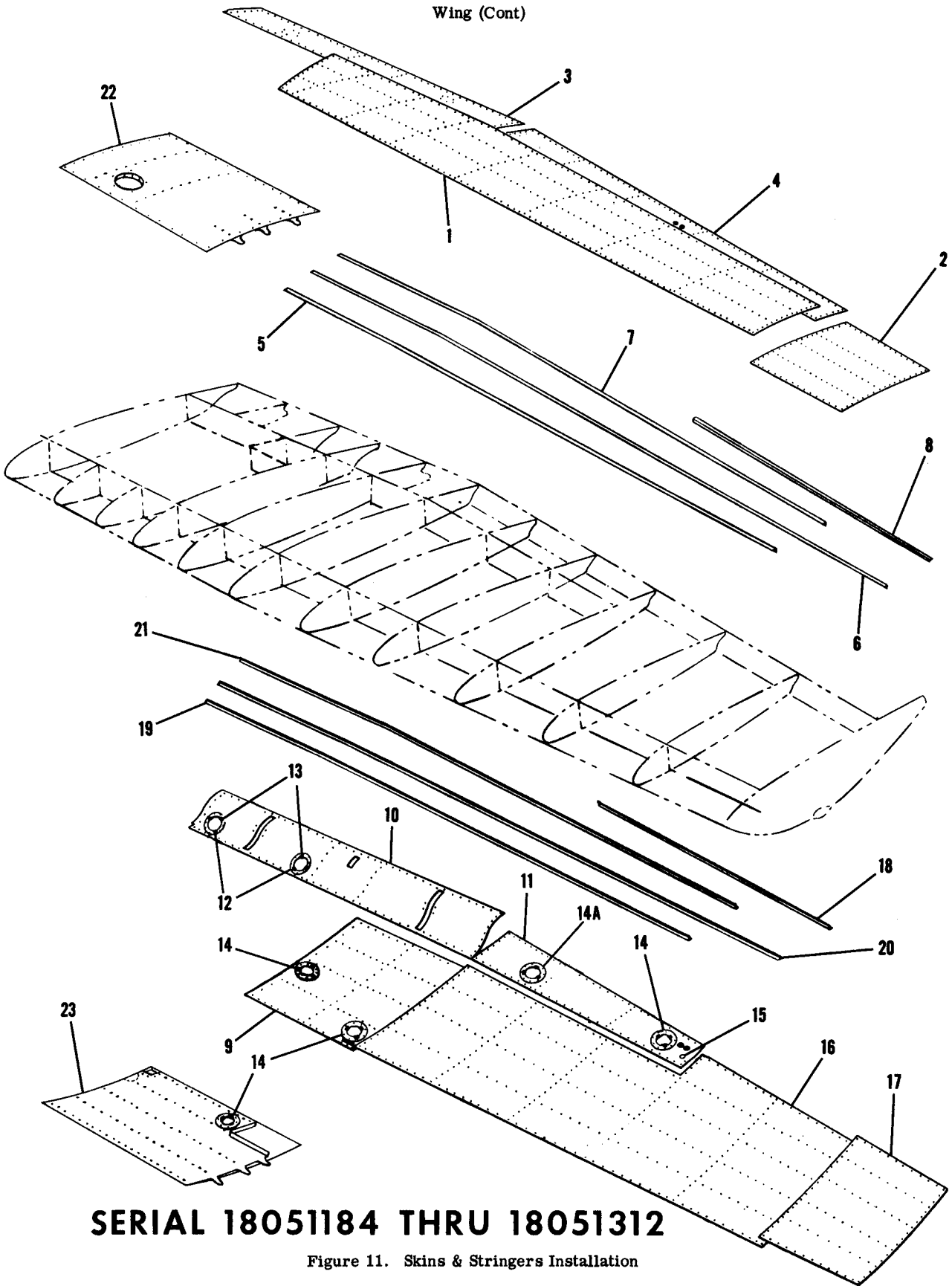
Figure 10A. Wing Spar Assemblies



FIGURE AND INDEX NO.	PART NUMBER	DESCRIPTION	UNITS PER ASSY	USABLE ON CODE
10A-		SPAR ASSEMBLIES-WING STANDARD & EXTENDED RANGE -----	NP	A
	0721401-11	SPAR ASSEMBLY-WING FRONT LH -----	1	
	0721401-12	SPAR ASSEMBLY-WING FRONT RH -----	1	
- 1	0721400-3	ANGLE-FRONT SPAR CAP LH -----	1	
	0721400-4	ANGLE-FRONT SPAR CAP RH -----	1	
- 2	0523309	ANGLE-FRONT SPAR LH -----	1	
	0523309-1	ANGLE-FRONT SPAR RH -----	1	
- 3	0721400-32	SPACER -----	1	
- 4	1221024-1	SPACER-UPPER FUEL PANEL -----	1	
- 5	0721400-35	SPACER-FRONT SPAR .125 THICK -----	1	
- 6	0523308	PLATE-FRONT SPAR ROOT REINFORCEMENT -----	1	
- 7	0523315	PLATE-FRONT SPAR CAP LH -----	1	
	0523315-1	PLATE-FRONT SPAR CAP RH -----	1	
- 8	0721400-13	CHANNEL-FRONT SPAR SPLICE LH -----	1	
	0721400-14	CHANNEL-FRONT SPAR SPLICE RH -----	1	
- 9	0721400-17	PLATE-FRONT SPAR SPLICE CHANNEL LH -----	1	
	0721400-18	PLATE-FRONT SPAR SPLICE CHANNEL RH -----	1	
-10	0721402-3	ANGLE-FRONT SPAR SPLICE LH -----	1	
	0721402-4	ANGLE-FRONT SPAR SPLICE RH -----	1	
-11	0721402-1	ANGLE-FRONT SPAR FORWARD CAP STRIP LH -----	1	
	0721402-2	ANGLE-FRONT SPAR FORWARD CAP STRIP RH -----	1	
-12	0721401-13	ANGLE-STIFFENER LH -----	1	
	0721401-14	ANGLE-STIFFENER RH -----	1	
-13	0523306	FITTING-FRONT SPAR STRUT -----	1	
		ATTACHING PARTS		
-14	AN5-7A	BOLT -----	3	
-15	AN960-516	WASHER -----	3	
-16	NAS679A5	NUT -----	3	
		---*---		
-17	0721401-15	CHANNEL-FRONT SPAR OUTBOARD LH -----	1	
	0721401-16	CHANNEL-FRONT SPAR OUTBOARD RH -----	1	
-18	0721401-5	CHANNEL-FRONT SPAR INBOARD LH -----	1	
	0721401-6	CHANNEL-FRONT SPAR INBOARD RH -----	1	
-19	0721400-33	SPACER -----	1	
-20	0721400-31	COVER -----	1	
		ATTACHING PARTS		
	CR163-4-4	RIVET -----	13	
		---*---		
-21	0523400-111	SPAR ASSEMBLY-WING REAR LH -----	1	
	0523400-112	SPAR ASSEMBLY-WING REAR RH -----	1	
-22	0422229-11	FITTING-WING SPAR REINFORCEMENT -----	2	
-23	1620058-1	DOUBLER -----	1	
-24	0523409-1	CHANNEL-REINFORCEMENT -----	2	
-25	0523409-2	CHANNEL-REINFORCEMENT -----	2	
-26	0523400-20	ANGLE-REAR SPAR REINFORCEMENT LH -----	1	
	0523400-21	ANGLE-REAR SPAR REINFORCEMENT RH -----	1	
-27	0523400-97	DOUBLER-LH -----	1	
	0523400-96	DOUBLER-RH -----	1	
-28	0523406-3	SEGMENT-REAR SPAR OUTBOARD LH STA 100.0 TO 154.0 -----	1	
	0523406-2	SEGMENT-REAR SPAR OUTBOARD RH STA 100.0 TO 154.0 -----	1	
	0523005-50	SPAR ASSEMBLY-OUTBOARD AUXILIARY LH -----	1	
	0523005-51	SPAR ASSEMBLY-OUTBOARD AUXILIARY RH -----	1	
-29	0523813-3	FILLER-TRAILING EDGE -----	1	
-30	0523813-2	FILLER-TRAILING EDGE -----	1	
-31	0523813-4	FILLER-TRAILING EDGE -----	1	
-32	0523813-5	FILLER-TRAILING EDGE -----	1	
-33	0523216	REINFORCEMENT -----	2	
-34	0523215	REINFORCEMENT-WING LH -----	1	
	0523215-1	REINFORCEMENT-WING RH -----	1	

A---SERIAL 18502091 & ON
SERIAL 18052285 & ON

Wing (Cont)



SERIAL 18051184 THRU 18051312

Figure 11. Skins & Stringers Installation



FIGURE AND INDEX NO.	PART NUMBER	DESCRIPTION	UNITS PER ASSY	USABLE ON CODE
		1 2 3 4 5 6 7		
11 -		SKINS & STRINGERS INSTALLATION LH -----	NP	A
		SKINS & STRINGERS INSTALLATION RH -----	NP	A
- 1	0720001-45	SKIN-UPPER STA 71.375 TO 190.0 -----	1	
- 2	0720601-17	SKIN-UPPER STA 190.0 TO 208.0 -----	1	
- 3	0720001-69	SKIN-UPPER STA 22.875 TO 100.5 -----	1	
- 4	0720601-20	SKIN-UPPER STA 100.5 TO 190.0 -----	1	
- 5	0523541-43	STRINGER-WING UPPER LH -----	1	
	0523541-44	STRINGER-WING UPPER RH -----	1	
- 6	0523541-47	STRINGER-WING UPPER LH -----	1	
	0523541-46	STRINGER-WING UPPER RH -----	1	
- 7	0523541-45	STRINGER-WING UPPER LH -----	1	
	0523541-48	STRINGER-WING UPPER RH -----	1	
- 8	0523003-40	STRINGER-UPPER -----	1	
- 9	0720001-66	SKIN-WING LOWER LH STA 71.375 TO 100.0 -----	1	
	0720001-44	SKIN-WING LOWER RH STA 71.375 TO 100.0 -----	1	
-10	0720001-67	SKIN-WING LOWER LH STA 22.875 TO 100.5 -----	1	
	0720001-68	SKIN-WING LOWER RH STA 22.875 TO 100.5 -----	1	
-11	0720601-24	SKIN-LOWER STA 100.5 TO 154.0 WHEN EXHAUSTED -----	1	
		USE 1220002-80		
	1220003-80	* SKIN-LOWER STA 100.5 TO 154.0 -----	1	
-12	S237	DOUBLER-INSPECTION OPENING -----	2	
-13	NAS395-14-3	NUT TIN A1274-8Z-3 -----	6	
-14	S226-2	DOUBLER ASSEMBLY -----	4	
	NAS444-14	NUT TIN A6162-8Z-3 -----	3	
-14A	S226-2	DOUBLER ASSEMBLY 4.00 IN ID -----	1	
	1222021-1	# DOUBLER ASSEMBLY 4.70 IN ID -----	1	
-15	48155	PLUG BUTTON UC -----	1	
-16	0720001-10	SKIN-LOWER STA 100.0 TO 190.0 -----	1	
-17	0720601-18	SKIN-LOWER STA 190.0 TO 208.0 -----	1	
-18	0523003-40	STRINGER-LOWER -----	1	
-19	0523541-50	STRINGER-WING LOWER LH -----	1	
	0523541-49	STRINGER-WING LOWER RH -----	1	
-20	0523541-48	STRINGER-WING LOWER LH -----	1	
	0523541-45	STRINGER-WING LOWER RH -----	1	
-21	0523541-46	STRINGER-WING LOWER LH -----	1	
	0523541-47	STRINGER-WING LOWER RH -----	1	
-22	0721201-51	PANEL ASSEMBLY-WING FUEL BAY UPPER LH -----	1	
	0721201-67	PANEL ASSEMBLY-WING FUEL BAY UPPER RH -----	1	
-23	0721201-1	PANEL ASSEMBLY-WING FUEL BAY LOWER COVER LH -----	1	
	0721201-2	PANEL ASSEMBLY-WING FUEL BAY LOWER COVER RH -----	1	
<p>NOTE. *WHEN INITIALLY ORDERING THIS PART ALSO ORDER PART MARKED #, ONE 1222022-1 COVER & SIX S102278-6 SCREWS.</p> <p>A---SERIAL 18051184 THRU 18051312 STANDARD WING SKINS & STRINGERS ONLY</p>				

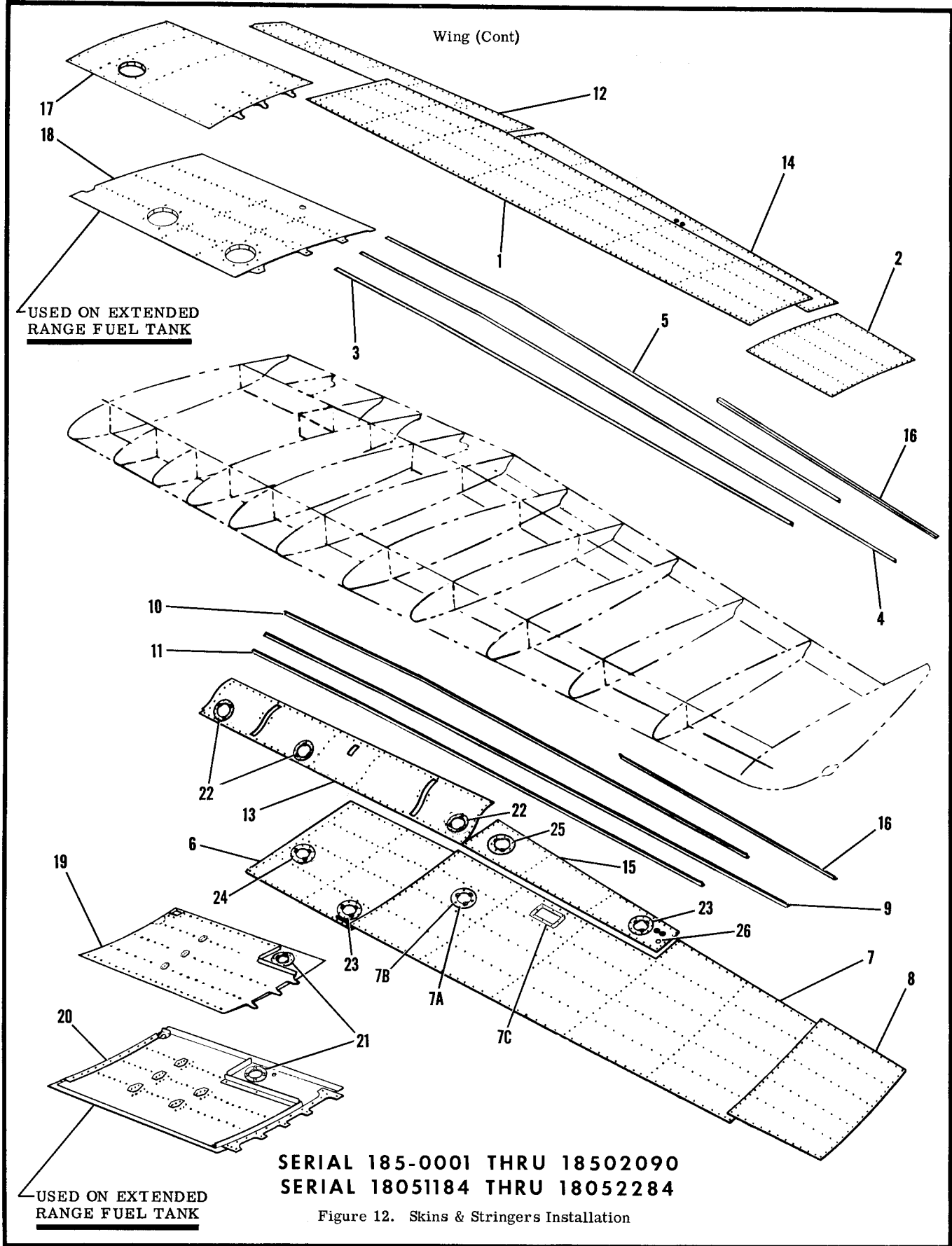


FIGURE AND INDEX NO.	PART NUMBER	DESCRIPTION	UNITS PER ASSY	USABLE ON CODE
		1 2 3 4 5 6 7		
12 -		** SKINS & STRINGERS INSTALLATION-WING LH -----	NP	A
		SKINS & STRINGERS INSTALLATION-WING LH EXTENDED RANGE -----	NP	B
		** SKINS & STRINGERS INSTALLATION-WING RH -----	NP	A
		SKINS & STRINGERS INSTALLATION-WING RH EXTENDED RANGE -----	NP	B
- 1	1220002-46	SKIN-UPPER STA 71.977 TO 190.0 -----	1	A
	1220003-15	SKIN-UPPER LH STA 85.625 TO 190.0 -----	1	B
	1220004-15	SKIN-UPPER RH STA 85.625 TO 190.0 -----	1	B
- 2	1220002-21	SKIN-UPPER STA 190.0 TO 208.0 -----	1	
- 3	0523541-43	STRINGER-WING UPPER LH -----	1	A
	0523541-51	STRINGER-WING UPPER LH -----	1	B
	0523541-44	STRINGER-WING UPPER RH -----	1	A
	0523541-52	STRINGER-WING UPPER RH -----	1	B
- 4	0523541-45	STRINGER-WING UPPER LH -----	1	A
	0523541-53	STRINGER-WING UPPER LH -----	1	B
	0523541-46	STRINGER-WING UPPER RH -----	1	A
	0523541-54	STRINGER-WING UPPER RH -----	1	B
- 5	0523541-47	STRINGER-WING UPPER LH -----	1	A
	0523541-59	STRINGER-WING UPPER LH -----	1	B
	0523541-48	STRINGER-WING UPPER RH -----	1	A
	0523541-56	STRINGER-WING UPPER RH -----	1	B
- 6	1220002-49	SKIN-LOWER INBOARD LH -----	1	A
	1220002-48	SKIN-LOWER INBOARD RH -----	1	A
- 7	1220002-85	SKIN-LOWER STA 100.0 TO 190.0 -----	1	A
- 7A	S226-5F	DOUBLER ASSEMBLY -----	1	A
	1220003-16	SKIN-LOWER LH STA 85.625 TO 190.0 WEU 1220003-30 -----	1	E
	1220003-30	SKIN ASSEMBLY-LOWER LH STA 85.625 TO 190.0 -----	1	F
	1220004-27	SKIN ASSEMBLY-LOWER RH STA 85.625 TO 190.0 -----	1	B
- 7B	S226-5F	DOUBLER ASSEMBLY -----	1	B
- 7C	1220095-3	DOUBLER ASSEMBLY -----	1	G
- 8	1220002-22	SKIN-LOWER STA 190.0 TO 208.0 -----	1	
- 9	0523541-46	STRINGER-WING LOWER LH -----	1	A
	0523541-54	STRINGER-WING LOWER LH -----	1	B
	0523541-45	STRINGER-WING LOWER RH -----	1	A
	0523541-53	STRINGER-WING LOWER RH -----	1	B
-10	0523541-48	STRINGER-WING LOWER LH -----	1	A
	0523541-60	STRINGER-WING LOWER LH -----	1	B
	0523541-47	STRINGER-WING LOWER RH -----	1	A
	0523541-55	STRINGER-WING LOWER RH -----	1	B
-11	0523541-50	STRINGER-WING LOWER LH -----	1	A
	0523541-58	STRINGER-WING LOWER LH -----	1	B
	0523541-49	STRINGER-WING LOWER RH -----	1	A
	0523541-57	STRINGER-WING LOWER RH -----	1	B
-12	1220002-27	SKIN-UPPER TRAILING EDGE STA 23.625 TO 100.5 -----	1	
-13	0720001-67	SKIN-LOWER TRAILING EDGE LH STA 23.625 TO 100.5 -----	1	
	0720001-68	SKIN-LOWER TRAILING EDGE RH STA 23.625 TO 100.5 -----	1	
-14	1220002-25	SKIN-UPPER TRAILING EDGE STA 100.5 TO 190.0 -----	1	
-15	1220002-26	SKIN-LOWER TRAILING EDGE STA 100.5 TO 190.0 WHEN -----	1	C
	1220002-80	EXHAUSTED USE 1220002-80 -----		
-16	0523003-40	* SKIN-LOWER TRAILING EDGE STA 100.5 TO 190.0 -----	1	D
-17	0722014-1	STRINGER-WING -----	2	
	0722014-2	PANEL ASSEMBLY-WING FUEL WELL UPPER LH -----	1	A
	1220006-21	PANEL ASSEMBLY-WING FUEL WELL UPPER RH -----	1	A
-18	1220006-22	PANEL ASSEMBLY-WING FUEL WELL UPPER RH -----	1	B
-19	0722015-33	PANEL ASSEMBLY-WING FUEL WELL LOWER LH -----	1	A
	0722015-32	PANEL ASSEMBLY-WING FUEL WELL LOWER RH -----	1	A
-20	1220007-37	PANEL ASSEMBLY-WING FUEL WELL LOWER LH -----	1	B
	1220007-20	PANEL ASSEMBLY-WING FUEL WELL LOWER RH -----	1	B
-21	S1443-3	DOUBLER-INSPECTION OPENING -----	1	

CONTINUED ON NEXT PAGE

FIGURE AND INDEX NO.	PART NUMBER	DESCRIPTION	UNITS PER ASSY	USABLE ON CODE
		1 2 3 4 5 6 7		
12 -22	S1048-2	DOUBLER ASSEMBLY -----	3	
-23	S226-5F	DOUBLER ASSEMBLY -----	2	
-24	S226-5F	DOUBLER ASSEMBLY -----	1	A
-25	S226-5F	DOUBLER ASSEMBLY -----	1	C
	1222021-1	DOUBLER ASSEMBLY -----	1	D
	NAS444-14	NUT -----	6	
-26	CM2692-28-1S	PLUG BUTTON -----	1	
<p>NOTE. *WHEN INITIALLY ORDERING THIS PART FOR AIRCRAFT PRIOR TO SERIALS 185-1301 & 18051876 ALSO ORDER PART MARKED %, ONE 1222022-1 COVER & SIX S102228-6 SCREWS.</p> <p>NOTE. **FOR 180 STD RANGE SKINS & STRINGERS SERIAL 18051184 THRU 18051312 SEE FIG 11.</p> <p>A---SERIAL 185-0001 THRU 18502090 STANDARD WING SKINS & STRINGERS SERIAL 18051313 THRU 18052284 STANDARD WING SKINS & STRINGES</p> <p>B---SERIAL 185-0001 THRU 18502090 EXTENDED RANGE WING SKINS & STRINGERS SERIAL 18051184 THRU 18052284 EXTENDED RANGE WING SKINS & STRINGERS</p> <p>C---SERIAL 185-0001 THRU 185-1300 SERIAL 18051313 THRU 18051875</p> <p>D---SERIAL 185-1301 THRU 18502090 SERIAL 18051876 THRU 18052284</p> <p>E---SERIAL 185-0001 THRU 185-1300 EXTENDED RANGE WING SERIAL 18051184 THRU 18051875 EXTENDED RANGE WING</p> <p>F---SERIAL 185-1301 THRU 18502090 EXTENDED RANGE WING SERIAL 18051876 THRU 18052284 EXTENDED RANGE WING</p> <p>G---SERIAL 18501887 THRU 18502090 SERIAL 18052206 THRU 18052284</p>				

This page intentionally left blank.



FIGURE AND INDEX NO.	PART NUMBER	DESCRIPTION	UNITS	USABLE
			PER ASSY	ON CODE
		1 2 3 4 5 6 7		
12A-		SKINS & STRINGERS INSTALLATION-WING LH -----	NP	A
		SKINS & STRINGERS INSTALLATION-WING RH -----	NP	A
- 1	0722182-13	SKIN-UPPER STA 71.98 TO STA 208.00 -----	1	
	0722182-16 *	SKIN-UPPER STA 85.625 TO STA 208.00 -----	1	
- 2	0523541-43	STRINGER-WING UPPER LH -----	1	
	0523541-51 *	STRINGER-WING UPPER LH -----	1	
	0523541-44	STRINGER-WING UPPER RH -----	1	
	0523541-52 *	STRINGER-WING UPPER RH -----	1	
- 3	0523541-45	STRINGER-WING UPPER LH -----	1	
	0523541-53 *	STRINGER-WING UPPER LH -----	1	
	0523541-46	STRINGER-WING UPPER RH -----	1	
	0523541-54 *	STRINGER-WING UPPER RH -----	1	
- 4	0523541-47	STRINGER-WING UPPER LH -----	1	
	0523541-59 *	STRINGER-WING UPPER LH -----	1	
	0720612-2	STRINGER-WING UPPER RH -----	1	
	0523541-56 *	STRINGER-WING UPPER RH -----	1	
- 5	0722182-15	SKIN-LOWER LH STA 71.98 TO STA 208.00 -----	1	
	0722182-14	SKIN-LOWER RH STA 71.98 TO STA 208.00 -----	1	
	0722182-17 *	SKIN-LOWER LH & RH STA 85.625 TO STA 208.00 -----	1	
- 6	0523541-46	STRINGER-WING LOWER LH -----	1	
	0523541-54 *	STRINGER-WING LOWER LH -----	1	
	0523541-45	STRINGER-WING LOWER RH -----	1	
	0523541-53 *	STRINGER-WING LOWER RH -----	1	
- 7	0523541-48	STRINGER-WING LOWER LH -----	1	
	0523541-60 *	STRINGER-WING LOWER LH -----	1	
	0720612-1	STRINGER-WING LOWER RH -----	1	
	0523541-55 *	STRINGER-WING LOWER RH -----	1	
- 8	0523541-50	STRINGER-WING LOWER LH -----	1	
	0523541-58 *	STRINGER-WING LOWER LH -----	1	
	0523541-49	STRINGER-WING LOWER RH -----	1	
	0523541-57 *	STRINGER-WING LOWER RH -----	1	
- 9	0720601-21	SKIN-UPPER TRAILING EDGE STA 23.625 TO STA 100.50 -----	1	
-10	0720601-25	SKIN-LOWER TRAILING EDGE LH STA 23.625 TO STA 100.50 -----	1	
	0720601-64	SKIN-LOWER TRAILING EDGE RH STA 23.625 TO STA 100.50 -----	1	
-11	0722182-19	SKIN-UPPER OUTBD TRAILING EDGE STA 100.50 TO STA 208.00 -----	1	
-12	1220002-89	SKIN-LOWER OUTBD TRAILING EDGE STA 100.50 TO STA 154.00 -----	1	
-13	0523003-40	STRINGER-WING -----	2	
-14	0722014-1	PANEL ASSEMBLY-WING FUEL WELL UPPER LH -----	1	
	0722014-21	PANEL ASSEMBLY-WING FUEL WELL UPPER RH -----	1	
-15	1220006-21 *	PANEL ASSEMBLY-WING FUEL WELL UPPER LH -----	1	
	1220006-22 *	PANEL ASSEMBLY-WING FUEL WELL UPPER RH -----	1	
-16	0722015-61	PANEL ASSEMBLY-WING FUEL WELL LOWER LH -----	1	
	0722015-60	PANEL ASSEMBLY-WING FUEL WELL LOWER RH -----	1	
-17	1222013-3	DOUBLER ASSEMBLY-ACCESS HOLE LH -----	1	
	1222013-6	DOUBLER ASSEMBLY-ACCESS HOLE RH -----	1	
	S1860-2A	NUTPLATE -----	6	
-18	1220007-63	PANEL ASSEMBLY-WING FUEL WELL LOWER LH -----	1	
	1220007-62 *	PANEL ASSEMBLY-WING FUEL WELL LOWER RH -----	1	
-19	1222013-3	DOUBLER ASSEMBLY-ACCESS HOLE LH -----	1	
	1222013-6	DOUBLER ASSEMBLY-ACCESS HOLE RH -----	1	
	S1860-2A	NUTPLATE -----	6	
-20	1220007-30	DOUBLER ASSEMBLY-ACCESS HOLE -----	1	
	S1860-2A	NUTPLATE -----	6	
-21	S237-2	DOUBLER ASSEMBLY-ACCESS HOLE -----	3	
-22	S237-2	DOUBLER ASSEMBLY-ACCESS HOLE RH ONLY -----	1	
	NAS395-14-3	NUT -----	3	
-23	S226-2	DOUBLER ASSEMBLY-ACCESS HOLE -----	4	
	S1860-2A	NUTPLATE -----	3	
-24	1220095-3	DOUBLER ASSEMBLY LH ONLY -----	1	
	S1860-2	NUTPLATE -----	8	
-25	1222021-1	DOUBLER ASSEMBLY -----	2	
	S1860-2A	NUTPLATE -----	6	

NOTE. *DENOTES PARTS USED ON WING WITH EXTENDED RANGE FUEL TANK.

A---SERIAL 18502091 & ON
SERIAL 18052285 & ON

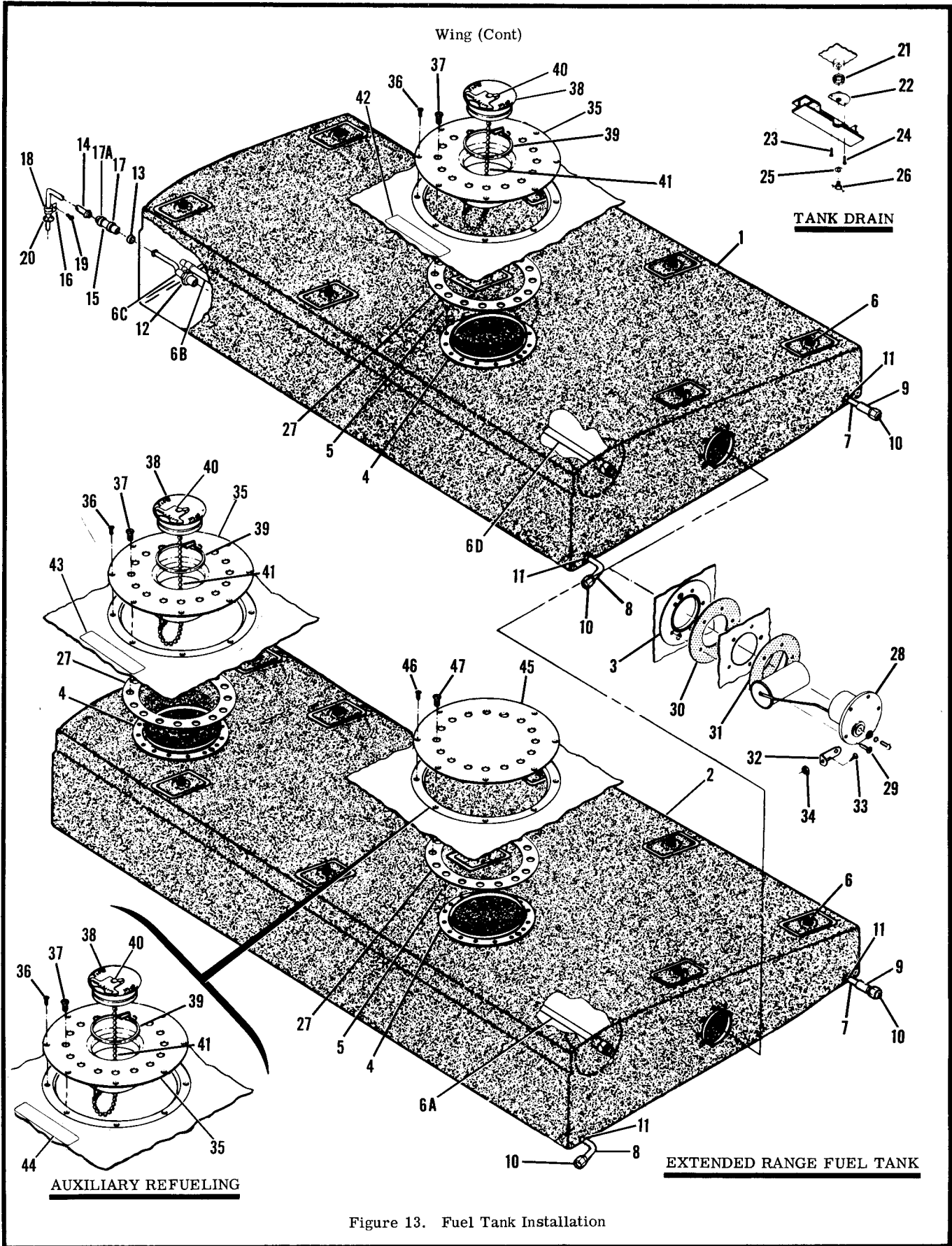


Figure 13. Fuel Tank Installation

FIGURE AND INDEX NO.	PART NUMBER		DESCRIPTION						UNITS PER ASSY	USABLE ON CODE
			1	2	3	4	5	6		
13 -		*	TANK INSTALLATION-FUEL RH						NP	
		*	TANK INSTALLATION-FUEL RH	EXTENDED RANGE					NP	
		*	TANK INSTALLATION-FUEL LH						NP	
		*	TANK INSTALLATION-FUEL LH	EXTENDED RANGE					NP	
- 1	0726001-16		TANK ASSEMBLY-FUEL RH						1	
	0726001-15		TANK ASSEMBLY-FUEL LH						1	
- 2	1200065-4		TANK ASSEMBLY-FUEL RH	EXTENDED RANGE					1	
	1200065-3	*	TANK ASSEMBLY-FUEL LH	EXTENDED RANGE					1	
- 3	0726001-3		RING ASSEMBLY-FUEL GAGE ADAPTER						1	
- 4	FCC20068		FITTING USED ON U.S. RUBBER FUEL CELLS ONLY						1	
	FCC20068	*	FITTING USED ON U.S. RUBBER FUEL CELLS ONLY						2	
			ATTACHING PARTS							
- 5	AN509-10R4		SCREW						2	
			SCREW							
- 6	295055		HANGER UC						8	
	295055	*	HANGER UC	EXTENDED RANGE					10	
- 6A	0716614-1	*	TUBE-VENT INSIDE TANK	EXTENDED RANGE	WEU 0716614-3				1	E
	0716614-3	*	TUBE-VENT INSIDE TANK	EXTENDED RANGE	WEU 0716614-5				1	F
	0716614-5	*	TUBE-VENT INSIDE TANK	EXTENDED RANGE					1	H
- 6B	1600010-12		TUBE-VENT INSIDE TANK	STANDARD RANGE	FLOATPLANE				1	G
			ATTACHING PARTS							
- 6C	AN742D8		CLAMP						1	G
	AN742D6		CLAMP						1	G
	AN3-3A		BOLT						1	G
	S1450-3-10-032		WASHER						1	G
	MS21044N3		NUT						1	G
			SCREW							
- 6D	0700147-59		TUBE-VENT INSIDE TANK	STANDARD RANGE	FLOATPLANE				1	G
			ATTACHING PARTS							
	S1495-8		HOSE-2.00 IN LG	BKI	REF S1495-8-2.00				1	G
	NAS397-10		CLAMP						2	G
			CLAMP							
- 7	0720007-1		STRAINER ASSEMBLY-FUEL TANK AFT		WEU 0720007-7				1	L
	0720007-7		STRAINER ASSEMBLY-FUEL TANK AFT						1	M
- 8	0720007-2		STRAINER ASSEMBLY-FUEL TANK FORWARD		WEU 0720007-8				1	L
	0720007-8		STRAINER ASSEMBLY-FUEL TANK FORWARD						1	M
- 9	S292-12		SLEEVING-1.50 IN LG	BKI					1	
- 10	AN818-6D		NUT						1	
- 11	S1891-10		CLAMP						4	
- 12	0716125-2	#	VALVE ASSEMBLY-VENT						1	
	0721118-1	**	PLUG						1	
			ATTACHING PARTS							
- 13	NAS397-14		CLAMP						1	
			CLAMP							
- 14	0716127-2	#	LINE ASSEMBLY-VENT RH						1	
	0716127-1		LINE ASSEMBLY-VENT LH						1	
	1200106-52	*	LINE ASSEMBLY-VENT RH	EXTENDED RANGE					1	
	1200106-51	*	LINE ASSEMBLY-VENT LH	EXTENDED RANGE					1	
			ATTACHING PARTS							
- 15	S1495-8		HOSE-2.0 IN LG	BULK ITEM	REF S1495-8-2.0				1	
- 16	0512006-1	#	ANGLE						1	
- 17	NAS397-14	#	CLAMP						1	
- 17A	AN737RM30	#	CLAMP						1	
- 18	S1486DG8U	#	CLAMP						2	
	S1486DG8U	*	CLAMP						1	
- 19	S1021Z8-8	#	SCREW						2	
	S1021Z8-8	*	SCREW						1	
- 20	MS35489-14	#	GROMMET						1	
			GROMMET							
- 21	S1891-10		CLAMP						1	
- 22	0322526-6		ADAPTER ASSEMBLY-FUEL TANK DRAIN						1	C
	0322526-7		ADAPTER ASSEMBLY-FUEL TANK DRAIN						1	D
			ATTACHING PARTS							
- 23	AN515-832R7		SCREW						1	
- 24	AN500A8-7		SCREW						1	
			SCREW							
- 25	MS2877883		GASKET-DRAIN PLUG						1	
- 26	0320105		PLUG-FUEL DRAIN						1	
			VALVE-FUEL DRAIN USED WITH FUEL SAMPLER CUP	SEE FIG 13A					1	
- 27	0726002-1	*	GASKET						1	
	0726002-1	*	GASKET						2	

CONTINUED ON NEXT PAGE

FIGURE AND INDEX NO.	PART NUMBER	DESCRIPTION							UNITS PER ASSY	USABLE ON CODE
		1	2	3	4	5	6	7		
13 -28	0726110-1	TRANSMITTER & FLOAT-FUEL -----							1	
		ATTACHING PARTS								
-29	AN520-10R10	SCREW -----							5	
		---*---								
-30	0726001-7	GASKET-FUEL TRANSMITTER -----							1	
-31	S1588-1	GASKET-FUEL TRANSMITTER -----							1	
-32	0413247	GROUND STRAP -----							1	
		ATTACHING PARTS								
-33	AN515-8R8	SCREW -----							1	
-34	NAS679A08	NUT -----							1	
		---*---								
-35	0721306-1	%	ADAPTER ASSEMBLY-FUEL -----						1	
			ATTACHING PARTS							
-36	AN509-10R6		SCREW -----						8	
-37	AN507-428R7		SCREW -----						16	
			---*---							
-38	C156001-0102	%	CAP ASSEMBLY-FUEL WEU C156001-0106 -----						1	J
	C156001-0106	%	CAP ASSEMBLY-FUEL -----						1	K
-39	4196		O RING WISO -----						1	
-40	4189		HANDLE WISO -----						1	
	4199		PIN-HANDLE WISO -----						1	
	4197		O RING WISO -----						1	
-41	C156001-0104	%	CHAIN ASSEMBLY -----						1	
-42	0705023-1		PLACARD-FUEL FILL 180 STD RANGE -----						1	A
	0705023-4		PLACARD-FUEL FILL 185 STD RANGE -----						1	B
-43	0705023-2		PLACARD-FUEL FILL 180 EXT RANGE -----						1	A
	0705023-6		PLACARD-FUEL FILL 185 EXT RANGE -----						1	B
-44	0705023-7		PLACARD-FUEL FILL 180 EXT RANGE FLOATPLANE -----						1	A
	0705023-5		PLACARD-FUEL FILL 185 EXT RANGE AUXILIARY REFUELING -----						1	B
-45	1220022-3	*	PLATE-COVER -----						1	
			ATTACHING PARTS							
-46	AN509-10R6		SCREW -----						8	
-47	AN507-428R7		SCREW -----						16	
			---*---							
<p>NOTE. *DENOTES PARTS USED WITH EXTENDED RANGE FUEL TANK</p> <p>NOTE. #THESE PARTS ARE NOT USED WITH 0726001-16 RH STANDARD FUEL TANK FOR THE MODEL 180 SERIAL 18051184 THRU 18051312.</p> <p>NOTE. **THESE PARTS USED WITH 0726001-16 STANDARD FUEL TANK FOR THE MODEL 180 SERIAL 18051184 THRU 18051312.</p> <p>NOTE. %WHEN INITIALLY ORDERING THIS PART FOR AIRCRAFT PRIOR TO SERIALS 18052205 & 18501897 ALSO ORDER OTHER PARTS MARKED WITH % & APPROPRIATE FUEL FILL PLACARD</p> <p>A---SERIAL 18051184 & ON B---SERIAL 185-0001 & ON C---SERIAL 18051184 THRU 18051826 SERIAL 185-0001 THRU 185-1203 D---SERIAL 18051827 & ON SERIAL 185-1204 & ON E---SERIAL 18051184 THRU 18051993 SERIAL 185-0001 THRU 185-1447 F---SERIAL 18051994 THRU 18052205 SERIAL 185-1448 THRU 18501895 G---SERIAL 18501808 THRU 18501812, 18501814, 18501820 & ON H---SERIAL 18052206 & ON SERIAL 18501896 & ON J---SERIAL 185-0001 THRU 18502010 SERIAL 18051184 THRU 18052249 K---SERIAL 18502011 & ON SERIAL 18052250 & ON L---SERIAL 185-0001 THRU 18502107 SERIAL 18051184 THRU 18052271 M---SERIAL 18502108 & ON SERIAL 18052272 & ON</p>										

This page intentionally left blank.

Wing (Cont)

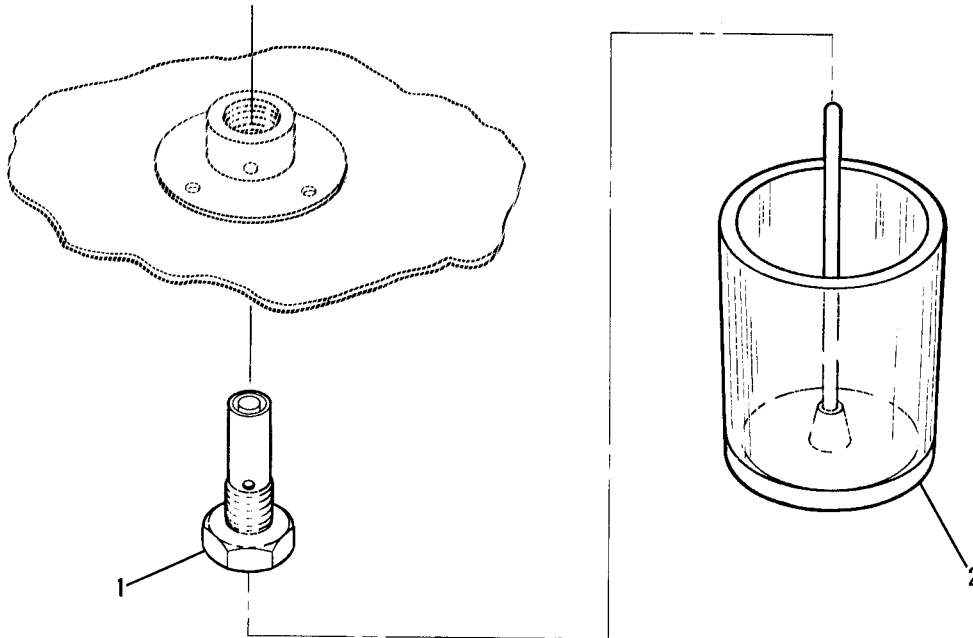


Figure 13A. Fuel Tank Drain Valve Installation

FIGURE AND INDEX NO.	PART NUMBER	DESCRIPTION	UNITS PER ASSY	USABLE ON CODE
13A-		<p>1 2 3 4 5 6 7</p> <p>FUEL TANK DRAIN VALVE INSTALLATION -----</p>	NP	
- 1	0526001-3	* DRAIN VALVE -----	2	
- 2	0526001-1	* CUP-FUEL SAMPLER -----	1	
<p>NOTE. *THESE PARTS & INSTALLATION INSTRUCTIONS ARE AVAILABLE AS A KIT & MAY BE ORDERED UNDER P/N AK180-77</p>				

FIGURE AND INDEX NO.	PART NUMBER	DESCRIPTION	UNITS PER ASSY	USABLE ON CODE
		1 2 3 4 5 6 7		
14 -		AILERON INSTALLATION LH -----	NP	
		AILERON INSTALLATION RH -----	NP	
- 1	0523223	BELLCRANK-AILERON LH -----	1	
	0523223-1	BELLCRANK-AILERON RH -----	1	
		ATTACHING PARTS		
- 2	AN4-42A	BOLT -----	2	
- 3	0522629	WASHER -----	2	
- 4	0523221	BUSHING -----	1	
- 5	0523222	BUSHING -----	1	
- 6	NAS679A4	NUT -----	2	
		-----*		
- 7	0422280	BUSHING -----	2	
- 8	B610	BEARING TOR -----	2	
- 9	0523218	ROD ASSEMBLY-AILERON PUSH PULL -----	1	
		ATTACHING PARTS		
-10	AN3-7A	BOLT -----	2	
-11	MS21044N3	NUT -----	2	
		-----*		
-12	S1819-3	ROD END -----	2	
-13	AN316-4R	NUT-CHECK -----	2	
	0523800-19	AILERON ASSEMBLY-LH -----	1	A
	0523800-16	AILERON ASSEMBLY-LH WEU 0523800-25 -----	1	B
	0523800-25	AILERON ASSEMBLY-LH -----	1	B
	0523800-18	AILERON ASSEMBLY-RH -----	1	A
	0523800-17	AILERON ASSEMBLY-RH WEU 0523800-24 -----	1	B
	0523800-24	AILERON ASSEMBLY-RH -----	1	B
		ATTACHING PARTS		
-13A	NAS221-8	SCREW -----	12	
	MS21044N3	NUT -----	12	
		-----*		
-14	0523806	SPAR-AILERON LH -----	1	
	0523806-1	SPAR-AILERON RH -----	1	
-15	0523808	RIB NO. 1-AILERON LH -----	2	
	0523808-2	RIB NO. 1-AILERON RH -----	2	
-16	0523809	RIB NO. 2-AILERON LH -----	1	
	0523809-1	RIB NO. 2-AILERON RH -----	1	
-17	0523810	RIB NO. 3-AILERON -----	1	
-18	0523811	RIB NO. 4-AILERON RH -----	1	
	0523811-1	RIB NO. 4-AILERON LH -----	1	
-19	0523812-2	BRACKET-AILERON CONTROL LH WEU 0760011-2 -----	1	E
	0523812-3	BRACKET-AILERON CONTROL RH WEU 0760011-2 -----	1	E
	0760111-2	BRACKET-AILERON CONTROL -----	1	F
		ATTACHING PARTS		
-20	NAS455-163C4-8	RIVET -----	6	
		-----*		

CONTINUED ON NEXT PAGE

Wing (Cont)

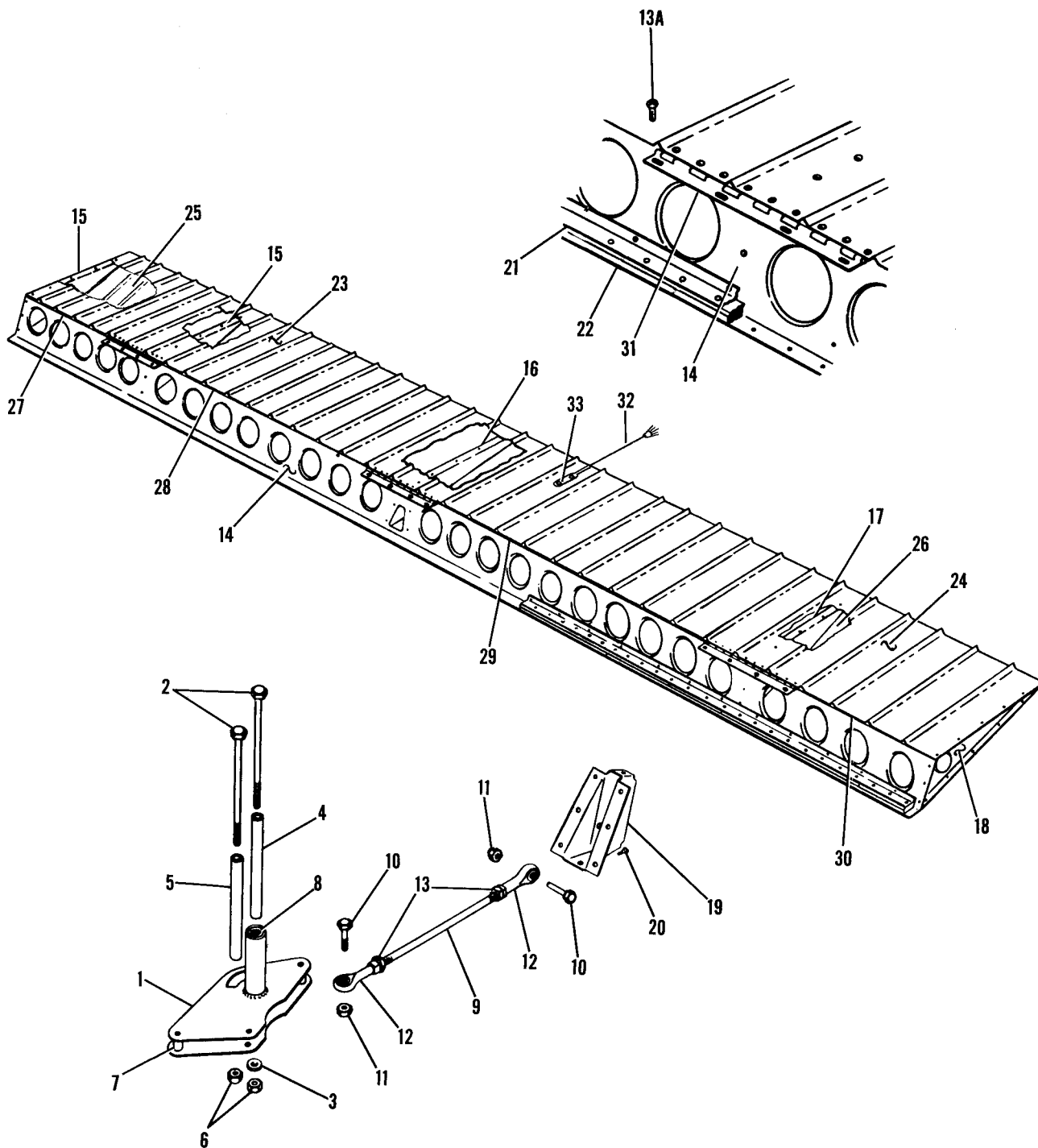


Figure 14. Aileron Installation

FIGURE AND INDEX NO.	PART NUMBER	DESCRIPTION	UNITS PER ASSY	USABLE ON CODE
		1 2 3 4 5 6 7		
14 -21	0523814-7	BRACKET-AILERON WEIGHT -----	1	A
	0523814-5	BRACKET-AILERON WEIGHT WEU 0523814-8 -----	1	B
	0523814-8	BRACKET-AILERON WEIGHT -----	1	B
-22	0724115-2	WEIGHT-AILERON BALANCE -----	5	A
	0724115-1	WEIGHT-AILERON BALANCE USED ON 0523800-16 & -17 -----	3	B
	0724115-1	WEIGHT-AILERON BALANCE USED ON 0523800-24 & -25 -----	2	B
	0724115-3	WEIGHT-AILERON BALANCE USED ON 0523800-24 & -25 -----	1	B
	0724115-4	WEIGHT-AILERON BALANCE USED ON 0523800-24 & -25 -----	1	B
	0523800-6	SKIN-AILERON UPPER INBOARD LH -----	1	
-23	0523800-7	SKIN-AILERON UPPER INBOARD RH -----	1	
	0523800-8	SKIN-AILERON UPPER OUTBOARD LH -----	1	
-24	0523800-9	SKIN-AILERON UPPER OUTBOARD RH -----	1	
	0523800-10	SKIN-AILERON LOWER INBOARD LH -----	1	
-25	0523800-11	SKIN-AILERON LOWER INBOARD RH -----	1	
	0523800-12	SKIN-AILERON LOWER OUTBOARD LH -----	1	
-26	0523800-13	SKIN-AILERON LOWER OUTBOARD RH -----	1	
	0523813-1	SPACER -----	1	
-27	0523813-1	SPACER -----	1	
-28	0523813-8	SPACER -----	1	
-29	0523813-6	SPACER -----	1	
-30	0523813-7	SPACER -----	1	
-31	0523807	HINGE-AILERON -----	3	
-32	5169	STATIC DISCHARGER WHEN EXHAUSTED USE C592001-0101 -----	2	C
	C592001-0101	STATIC DISCHARGER -----	2	D
		ATTACHING PARTS		
-33	AN515-8R8	SCREW -----	2	C
	AN515-6R8	SCREW -----	2	D
	NAS1329A08K75	RIVNUT -----	2	C
	NAS1329A06K75	RIVNUT -----	2	D
		---*---		
<p>NOTE. ON LEFT HAND AILERON, IF THE NO. 4 RIB OUTBOARD HAS FLANGES TURNED OUT FROM CENTER OF AILERON ORDER 0523811 RIB, IF RIB HAS FLANGES TURNED INBOARD ORDER 0523811-1 RIB.</p> <p>ON LEFT HAND AILERON, THE NO.1 RIB INBOARD IS AN 0523808 RIB FOR ALL SERIALS.</p> <p>ON RIGHT HAND AILERON, IF THE NO. 4 RIB OUTBOARD HAS FLANGES TURNED OUT FROM CENTER OF AILERON ORDER 0523811-1 RIB. IF RIB HAS FLANGES TURNED INBOARD ORDER 0523811 RIB.</p> <p>ON RIGHT HAND AILERON, IF THE NO. 1 RIB INBOARD HAS FLANGES TURNED OUT FROM CENTER OF AILERON ORDER 0523808 RIB. IF RIB HAS FLANGES TURNED TOWARD CENTER OF AILERON ORDER 0523802-2 RIB.</p>				
<p>A---SERIAL 18051397 & ON SERIAL 185-0001 & ON</p> <p>B---SERIAL 18051184 THRU 18051396</p> <p>C---SERIAL 18051446 THRU 18051906 SERIAL 185-0777 THRU 185-1335</p> <p>D---SERIAL 18051907 & ON SERIAL 185-1336 & ON</p> <p>E---SERIAL 18051184 THRU 18052017 SERIAL 185-0001 THRU 185-1479</p> <p>F---SERIAL 18052018 & ON SERIAL 185-1480 & ON</p>				

Wing (Cont)

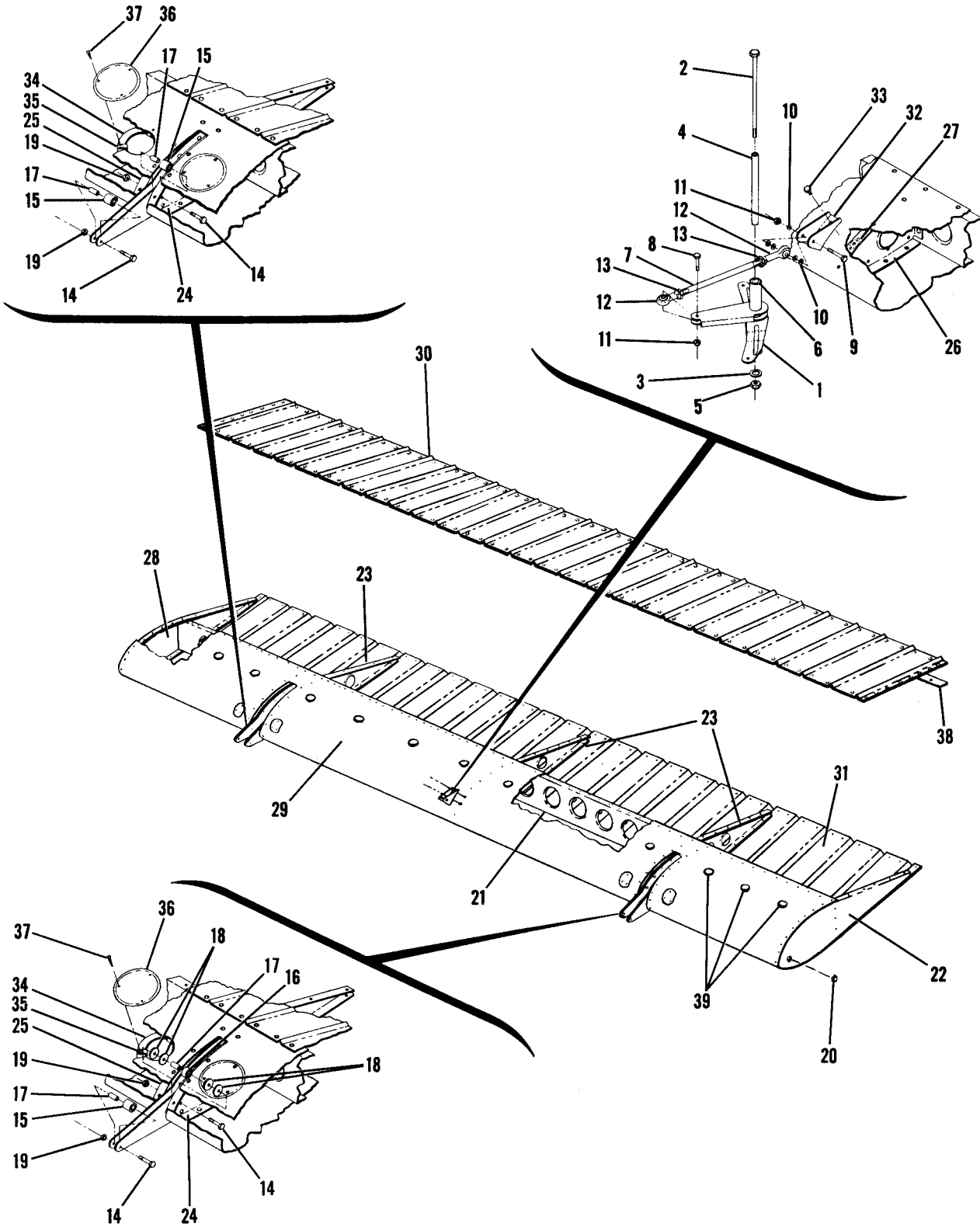
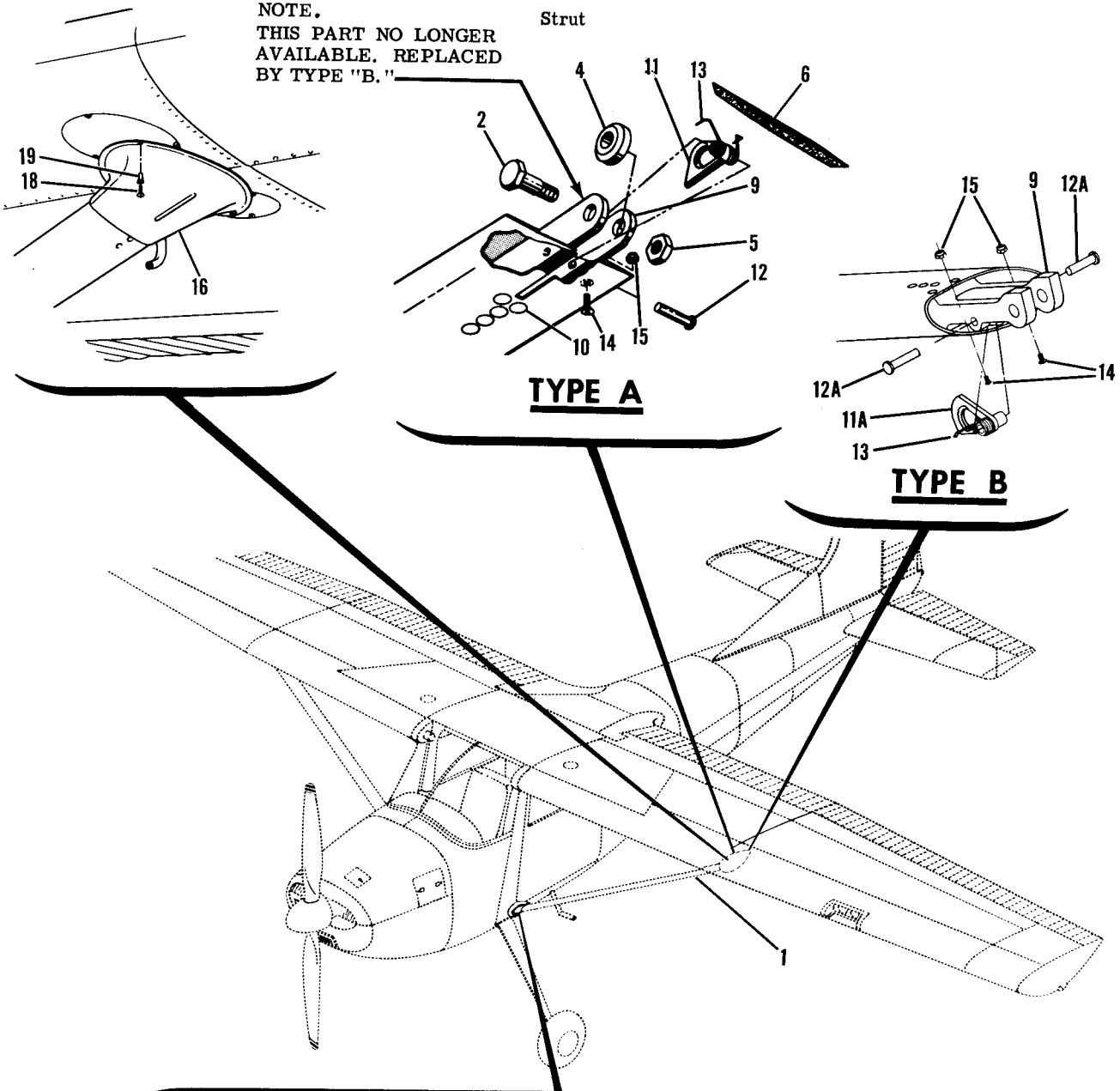


Figure 15. Flap Installation

NOTE.
THIS PART NO LONGER
AVAILABLE. REPLACED
BY TYPE "B."

Strut



TYPE A

TYPE B

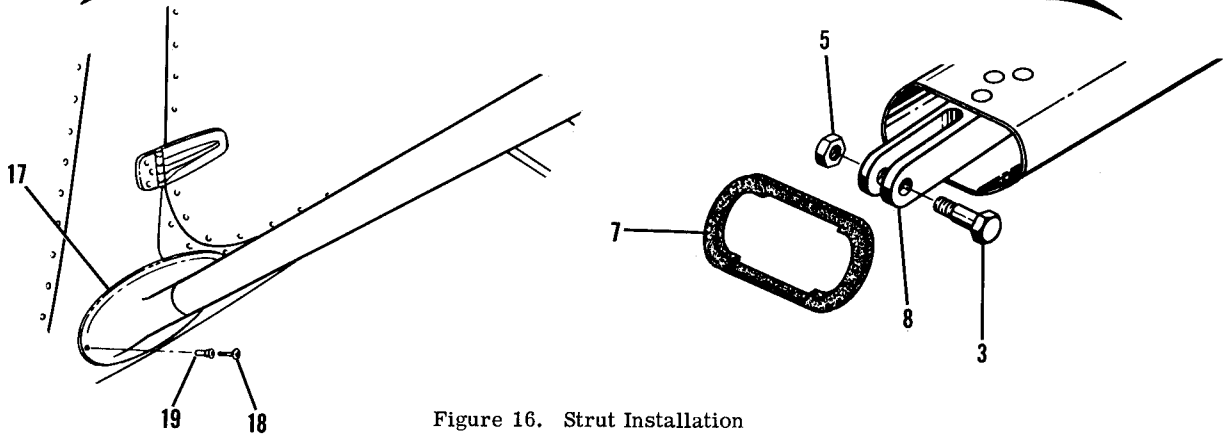


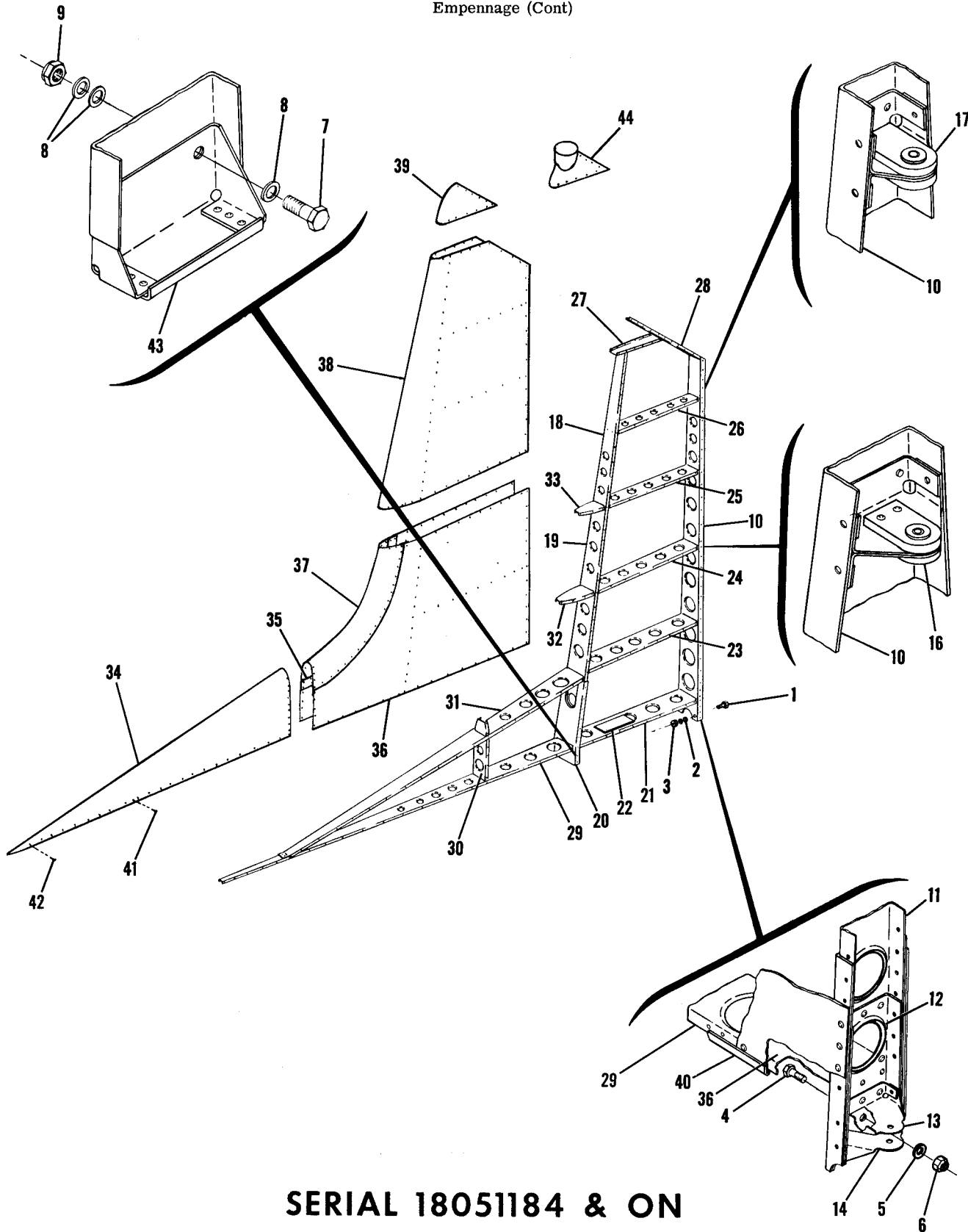
Figure 16. Strut Installation

FIGURE AND INDEX NO.	PART NUMBER	DESCRIPTION	UNITS PER ASSY	USABLE ON CODE
		1 2 3 4 5 6 7		
16 -		STRUT INSTALLATION-WING -----	NP	
- 1	0723600-7	STRUT ASSEMBLY-LH -----	1	A
	0723600-17	STRUT ASSEMBLY-LH -----	1	B
	0723600-8	STRUT ASSEMBLY-RH -----	1	A
	0723600-18	STRUT ASSEMBLY-RH -----	1	B
		ATTACHING PARTS		
- 2	AN8-25A	BOLT -----	1	
	AN960-816	WASHER -----	AR	
- 3	AN8-17A	BOLT -----	1	
- 4	0523307	SPACER -----	1	
- 5	MS20365-820C	NUT -----	2	
- 6	0713018-1	SEAL -----	1	A
	0713180-1	SEAL -----	1	B
- 7	0713181-1	SEAL -----	1	B
		-----*		
- 8	0523608-2	FITTING-WING STRUT LOWER END -----	1	
- 9	0523614-1	FITTING-WING STRUT UPPER END -----	1	
		ATTACHING PARTS		
-10	MS20426AD10-32	RIVET -----	5	
	0723600-6	RIVET ALT -----	5	
		-----*		
-11	0723604-1	RING-MOORING -----	1	C
-11A	0523615-1	RING-MOORING -----	1	D
		ATTACHING PARTS		
-12	MS20392-2C53	PIN -----	1	C
-12A	MS20392-2C25	PIN -----	2	D
-13	0723601-2	SPRING -----	1	C
-13A	0523616-1	SPRING -----	1	D
-14	AN507-832R6	SCREW -----	1	C
	AN507-832R6	SCREW -----	2	D
-15	NAS679A08	NUT -----	1	C
	NAS679A08	NUT -----	2	D
		-----*		
		FAIRING INSTALLATION-WING STRUT -----	NP	A
-16	0723605-3-791	FAIRING-UPPER LH -----	1	
	0723605-4-791	FAIRING-UPPER RH -----	1	
-17	0723605-1-791	FAIRING-LOWER LH -----	1	
	0723605-2-791	FAIRING-LOWER RH -----	1	
		ATTACHING PARTS		
-18	AN515-8R8	SCREW -----	3	
-19	NAS1329A08K75	RIVNUT -----	1	
		-----*		
		NOTE. #DO NOT USE WHEN STRUT FAIRINGS ARE INSTALLED		
		NOTE. *WHEN INITIALLY ORDERING THIS PART FOR 180 AIRCRAFT WITH TYPE A TIE DOWN PROVISIONS ALSO ORDER PARTS CODED D.		
		WHEN INITIALLY ORDERING THIS PART FOR 185 AIRCRAFT WITH TYPE A TIE DOWN PROVISIONS ALSO ORDER ONE 0523615-1, ONE MS20392-2-53, ONE 0533616-1, ONE AN507-832R6 & ONE MS20365-832C		
		A---SERIAL 18051184 & ON		
		B---SERIAL 185-0001 & ON		
		C---USED ON TYPE A. SEE DETAIL		
		D---USED ON TYPE B. SEE DETAIL		



FIGURE AND INDEX NO.	PART NUMBER	DESCRIPTION	UNITS PER ASSY	USABLE ON CODE
		1 2 3 4 5 6 7		
17 -		FIN & DORSAL INSTALLATION -----	NP	A
	0731001-10 *	FIN ASSEMBLY WHEN EXHAUSTED USE 0731001-200 -----	1	B
	0731001-200	FIN ASSEMBLY -----	1	F
	0731001-201	FIN ASSEMBLY -----	1	H
		ATTACHING PARTS		
- 1	NAS145-16	BOLT -----	1	
- 2	AN960-516	WASHER -----	1	
- 3	NAS679A5	NUT -----	1	
- 4	AN6-7A	BOLT -----	4	
- 5	AN960-616	WASHER -----	12	
- 6	NAS679A6	NUT -----	4	
- 7		DELETED, NEVER USED -----		
		-----*		
- 8	0731001-7	SPAR ASSEMBLY-REAR WEU 0731001-7 -----	1	D
	0731001-14	SPAR ASSEMBLY-REAR -----	1	E
- 9	0731100-14	BRACKET-LOWER HINGE -----	1	
-10	0731100-13	BRACKET-LOWER HINGE -----	1	
-11		DELETED -----		
-12	0731100-9	HINGE ASSEMBLY-CENTER -----	1	
-13	0731100-7	HINGE ASSEMBLY-UPPER -----	1	
-14	0731000-33	CHANNEL-REINFORCEMENT -----	1	
-15	0731013-1	PLATE-REINFORCEMENT -----	1	
	0731001-8	SPAR ASSEMBLY-FRONT -----	1	
-16	0731012-1	SPAR-FRONT -----	1	
-17	0731000-37	CHANNEL -----	1	
-18	0731000-1	RIB-FIN -----	1	G
	0731024-5	RIB ASSEMBLY-FIN -----	1	H
	NAS697A08	NUTPLATE -----	6	H
-19	0731000-2	RIB-FIN -----	1	
-20	0731000-3	RIB-FIN -----	1	
-21	0731000-4	RIB-FIN -----	1	
-22	0731000-5	RIB-FIN -----	1	
-23	0731021-1	RIB ASSEMBLY-FIN TIP -----	1	
	A6194-8Z1	NUTPLATE TIN -----	2	
-24	0731010-1	RIB-CANTED -----	1	
-25	0731018-1	RIB-FIN NOSE -----	1	
-26	0731007-1	RIB-DORSAL -----	1	
-27	0731003-1	RIB-DORSAL -----	1	
-28	0731004-1	RIB-DORSAL -----	1	
-29	0731005-1	RIB-DORSAL -----	1	
-30	0731008-1	RIB-DORSAL -----	1	
-31	0731006-1	RIB-DORSAL -----	1	
-32	0731002-1	RIB DORSAL -----	1	
-33	0731009-1	RIB DORSAL -----	1	
-34	0731001-2	SKIN-UPPER FIN -----	1	
-35	0731001-3	SKIN-LOWER FIN RH -----	1	
	0731001-4	SKIN-LOWER FIN LH -----	1	
-36	0731001-5	SKIN-FRONT EDGE -----	1	
-37	0731001-6	SKIN-DORSAL -----	1	
-38	0731001-9	PLATE-SPLICE -----	2	
-39	S202RB	CHANNEL-178.00 IN LG BULK ITEM REF S202R17800B -----	1	
-40	0731000-51	DOUBLER -----	1	
-41	0712213	STOP-STABILIZER -----	1	
-42	0731015-1	TIP-FIN -----	1	B
	0731019-2-791	TIP ASSEMBLY-FIN -----	1	C
		ATTACHING PARTS		
	S1021Z8-8	SCREW -----	24	
	NAS395-16-3	NUT -----	22	
		-----*		
NOTE. *THIS ASSEMBLY INCLUDES 0731015-1 FIN TIP.				
A---SERIAL 185-0001 & ON				
B---SERIAL 185-0001 THRU 185-1149				
C---SERIAL 185-1150 & ON				
D---SERIAL 185-0001 THRU 18502027				
E---SERIAL 18502028 & ON				
F---SERIAL 185-1150 THRU 18502090				
G---SERIAL 185-0001 THRU 18502090				
H---SERIAL 18502091 & ON				

Empennage (Cont)



SERIAL 18051184 & ON

Figure 18. Fin & Dorsal installation



FIGURE AND INDEX NO.	PART NUMBER	DESCRIPTION	UNITS PER ASSY	USABLE ON CODE
18 -		FIN & DORSAL INSTALLATION -----	NP	A
	0731000-41	FIN ASSEMBLY WEU 0731000-83 -----	1	F
	0731000-83	FIN ASSEMBLY -----	1	H
	0731024-3	FIN ASSEMBLY -----	1	K
		ATTACHING PARTS		
- 1	NAS224-15	SCREW -----	2	D
	AN6-7A	BOLT -----	2	E
- 2	AN960-616	WASHER -----	2	D
	AN960-616L	WASHER -----	2	D
	AN960-616	WASHER -----	6	E
- 3	NAS679A6	NUT -----	2	
- 4	NAS145-16	BOLT -----	1	
- 5	AN960-516	WASHER -----	1	
- 6	NAS697A5	NUT -----	1	
- 7	AN6-7A	BOLT -----	2	
- 8	AN960-616	WASHER -----	6	
- 9	NAS679A6	NUT -----	2	
		-----*		
	0731000-32	SPAR ASSEMBLY-REAR WEU 0731000-87 -----	1	F
	0731000-87	SPAR ASSEMBLY-REAR -----	1	G
-10	0731000-34	SPAR-REAR -----	1	
-11	0731000-33	CHANNEL-REINFORCEMENT -----	1	
-12	0731000-43	PLATE -----	1	
-13	0731100-14	BRACKET-HINGE UPPER -----	1	
-14	0731100-13	BRACKET-HINGE LOWER -----	1	
-15		DELETED -----		
-16	0731100-9	HINGE ASSEMBLY-CENTER -----	1	
-17	0731100-7	HINGE ASSEMBLY-UPPER -----	1	
-18	0731000-38	SPAR ASSEMBLY-FRONT -----	1	
-19	0731000-11	SPAR-FIN FRONT -----	1	
-20	0731000-37	CHANNEL-REINFORCEMENT -----	1	
-21	0731000-60	RIB ASSEMBLY-FIN -----	1	J
	0731024-5	RIB ASSEMBLY -----	1	K
-22	0770762-1	MOUNTING PLATE-BCN FLASHER -----	1	J
-23	0731000-2	RIB-FIN -----	1	
-24	0731000-3	RIB-FIN -----	1	
-25	0731000-4	RIB-FIN -----	1	
-26	0731000-5	RIB-FIN -----	1	
-27	0731022-2	RIB ASSEMBLY-FIN TIP -----	1	
	A6194-821	NUTPLATE TIN -----	2	
-28	0731022-4	RIB-FIN TIP CANTED -----	1	
-29	0731000-16	RIB-DORSAL LOWER -----	1	
-30	0731000-23	RIB-DORSAL -----	1	
-31	0731000-15	RIB-DORSAL UPPER -----	1	
-32	0731000-12	RIB-FIN LEADING EDGE WEU 1631010-2 -----	1	F
	1631010-2	RIB-FIN LEADING EDGE -----	1	G
-33	0731000-22	RIB-FIN LEADING EDGE WEU 1631010-1 -----	1	F
	1631010-1	RIB-FIN LEADING EDGE -----	1	G
-34	0731000-25	SKIN-DORSAL -----	1	
-35	0731000-17	PLATE-SPLICE -----	2	
-36	0731000-18	SKIN-FIN LOWER -----	2	
-37	0731000-21	SKIN-LEADING EDGE -----	1	
-38	0731000-24	SKIN-FIN UPPER -----	1	
-39	0731000-200-791	TIP-FIN -----	1	
		ATTACHING PARTS		
	S1021Z8-8	SCREW -----	18	
	NAS395-16-3	NUT -----	16	
		-----*		
-40	S202RB	CHANNEL-120.0 IN LG BULK ITEM REF 0411875-24 -----	1	
-41	S1021Z8-8	SCREW -----	2	
-42	S1021Z6-8	SCREW -----	2	
-43	0712213	STOP-STABILIZER -----	1	B
-44	0700031-2	TIP ASSEMBLY-FIN USED WITH ROTATING BEACON -----	1	B
	0731019-1-791	TIP ASSEMBLY-FIN USED WITH FLASHING BEACON -----	1	C
		A---SERIAL 18051184 & ON		
		B---SERIAL 18051184 THRU 18051774		
		C---SERIAL 18051775 & ON		
		D---SERIAL 18051184 THRU 18051312		
		E---SERIAL 18051313 & ON		
		F---SERIAL 18051184 THRU 18052258		
		G---SERIAL 18052259 & ON		
		H---SERIAL 18052259 THRU 18052284		
		J---SERIAL 18051184 THRU 18052284		
		K---SERIAL 18052285 & ON		

Empennage (Cont)

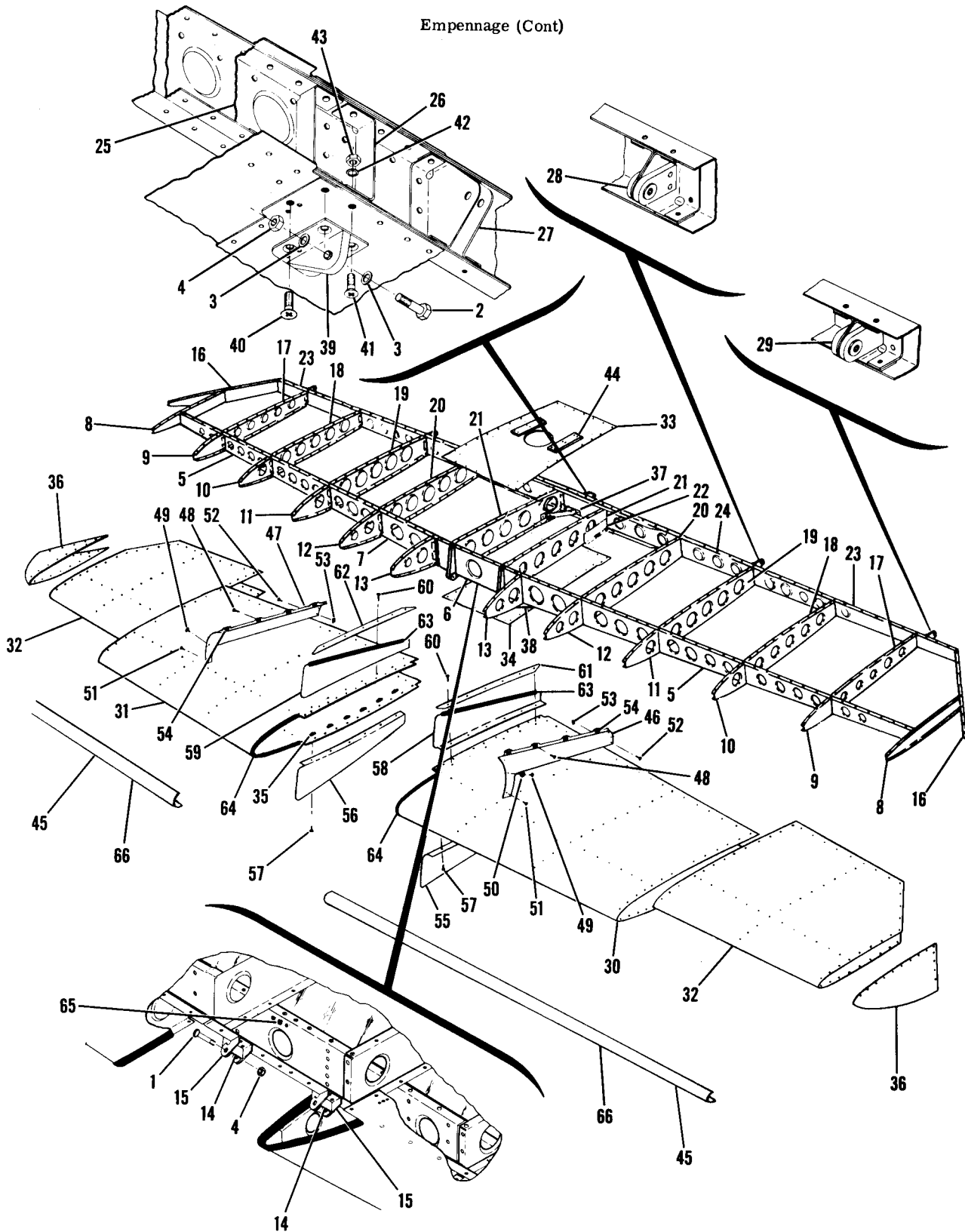


Figure 19. Stabilizer Installation

FIGURE AND INDEX NO.	PART NUMBER	DESCRIPTION	UNITS PER ASSY	USABLE ON CODE
19 -		STABILIZER INSTALLATION -----	NP	
	1232000-8	STABILIZER ASSEMBLY -----	1	A
	0732600-4	STABILIZER ASSEMBLY -----	1	B
		ATTACHING PARTS -----		
- 1	AN4-15A	BOLT -----	2	
- 2	AN4-11A	BOLT -----	2	
- 3	AN960-416	WASHER -----	4	
- 4	NAS679A4	NUT -----	4	
		-----*		
	1232000-6	SPAR ASSEMBLY-STABILIZER FRONT -----	1	A
	0732605-2	SPAR ASSEMBLY-STABILIZER FRONT -----	1	B
- 5	0732607-1	SPAR-STABILIZER FRONT -----	2	
- 6	1232116	CHANNEL-STABILIZER FRONT -----	1	A
	0732606-3	CHANNEL-STABILIZER FRONT -----	1	B
- 7	1232117	SPLICE-STABILIZER FRONT -----	1	A
- 8	0732609-1	RIB-STABILIZER TIP -----	2	
- 9	0732611-1	RIB-STABILIZER NOSE -----	2	
-10	0732611-2	RIB-STABILIZER NOSE -----	2	
-11	0732611-3	RIB-STABILIZER NOSE -----	2	
-12	0732611-4	RIB-STABILIZER NOSE -----	2	
-13	0732611-6	RIB-STABILIZER CANTED -----	2	
-14	0732101-6	BRACKET-STABILIZER ATTACH UPPER -----	2	
-15	0732101-5	BRACKET-STABILIZER ATTACH LOWER -----	2	
-16	0732608-1	RIB-STABILIZER CANTED -----	2	
-17	0732610-5	RIB-STABILIZER -----	2	
-18	0732610-4	RIB-STABILIZER -----	2	
-19	1232104	RIB-STABILIZER -----	2	A
	0732610-3	RIB-STABILIZER -----	2	B
-20	1232105	RIB-STABILIZER -----	2	A
	0732610-2	RIB-STABILIZER -----	2	B
-21	1232106	RIB-STABILIZER -----	2	A
	0732610-1	RIB-STABILIZER -----	2	B
-22	0732103-1	DOUBLER-STABILIZER LH -----	1	
	0732103-2	DOUBLER-STABILIZER RH -----	1	
	1232000-5	SPAR ASSEMBLY-STABILIZER REAR -----	1	A
	0732602-1	SPAR ASSEMBLY-STABILIZER REAR -----	1	B
-23	0732602-2	SPAR-STABILIZER REAR -----	2	
-24	1232114-1	CHANNEL-STABILIZER REAR SPAR REINFORCEMENT -----	1	A
	0732604-1	CHANNEL-STABILIZER REAR SPAR REINFORCEMENT -----	1	B
-25	0732603-1	CHANNEL-STABILIZER REAR SPAR REINFORCEMENT -----	1	
-26	0732101-4	REINFORCEMENT-STABILIZER HINGE -----	2	
-27	0732100-6	HINGE-STABILIZER CENTER -----	2	
-28	0732100-7	HINGE ASSEMBLY-STABILIZER INBOARD -----	1	
	MS24462-4	BEARING -----	1	
-29	0732100-8	HINGE ASSEMBLY-STABILIZER OUTBOARD -----	1	
	MS24462-4	BEARING -----	1	
-30	0732600-5	SKIN-STABILIZER INBOARD LH -----	1	
-31	0732600-6	SKIN-STABILIZER INBOARD RH -----	1	
-32	0732600-2	SKIN-STABILIZER OUTBOARD -----	2	
-33	0732600-7	SKIN-STABILIZER CENTER UPPER -----	1	
-34	0732600-3	SKIN-STABILIZER CENTER LOWER -----	1	
-35	S1863-3A	NUT -----	1	
-36	0732613-3-791	TIP-STABILIZER -----	2	A
	0732613-1-791	TIP-STABILIZER -----	2	B
-37	0732106	REINFORCEMENT RH -----	1	
	0732106-1	REINFORCEMENT LH -----	1	
-38	1232118-1	DOUBLER-STABILIZER LH LOWER -----	1	A
	1232118-1	DOUBLER-STABILIZER RH UPPER -----	1	A
	1232118-2	DOUBLER-STABILIZER RH LOWER -----	1	A
	1232118-2	DOUBLER-STABILIZER LH UPPER -----	1	A
-39	0732101-11	HINGE ASSEMBLY-LH -----	1	
	0732101-10	HINGE ASSEMBLY-RH -----	1	
		ATTACHING PARTS -----		
-40	AN509-416R12	SCREW -----	2	
-41	AN509-416R13	SCREW -----	2	
-42	AN960-416	WASHER -----	4	
-43	NAS679A4	NUT -----	4	
		-----*		
	0760679-2	BUSHING -----	1	
	0732101-7	SPACER -----	1	
-44	0732616-1	RUB STRIP -----	2	
-45	1232000-7	DOUBLER -----	2	A

CONTINUED ON NEXT PAGE

FIGURE AND INDEX NO.	PART NUMBER	DESCRIPTION	UNITS PER ASSY							USABLE ON CODE	
			1	2	3	4	5	6	7		
19 -46	0712307-1	FAIRING-EMPENNAGE LH -----								1	
-47	0712307-2	FAIRING-EMPENNAGE RH -----								1	
		ATTACHING PARTS									
-48	S1021Z6-8	SCREW -----								4	
-49	AN515-8R8	SCREW -----								2	
-50	AN960-8L	WASHER -----								2	
-51	AN507-832R8	SCREW -----								1	
-52	S1021Z8-8	SCREW -----								2	
-53	NAS395-10-3	NUT -----								2	
		-----*									
-54	NAS395-6-3	NUT -----								4	
-55	0732102-3	SEAL-STABILIZER LOWER LH -----								1	
-56	0732102-4	SEAL-STABILIZER LOWER RH -----								1	
		ATTACHING PARTS									
-57	S1021Z6-6	SCREW -----								6	
		-----*									
-58	0732102-7	SEAL ASSEMBLY-STABILIZER UPPER LH -----								1	
-59	0732102-8	SEAL ASSEMBLY-STABILIZER UPPER RH -----								1	
		ATTACHING PARTS									
-60	S1021Z6-6	SCREW -----								6	
-61	0732102-5	STIFFENER LH -----								1	
-62	0732102-6	STIFFENER RH -----								1	
		-----*									
-63	S202RB	MOULDING-18.75 IN.LG. BULK ITEM REF S-202R18.75B --								AR	
-64	S202RB	MOULDING BULK ITEM -----								AR	
-65	NAS680A3	NUTPLATE -----								1	A
-66	0332136-6	BOOT-ABRASION -----								2	
		A---SERIAL 185-0001 & ON									
		B---SERIAL 18051184 & ON									

This page intentionally left blank.

Empennage (Cont)

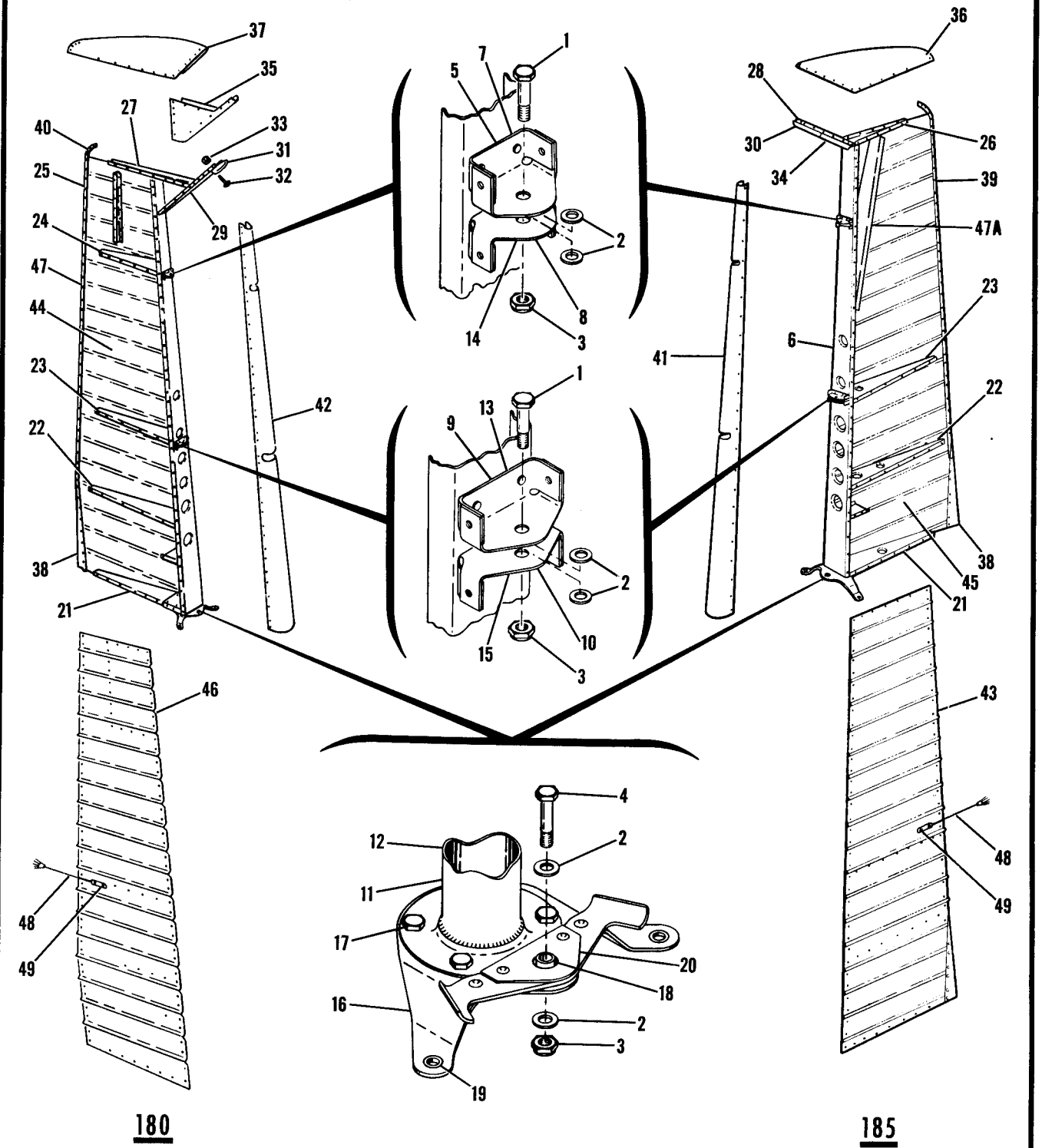


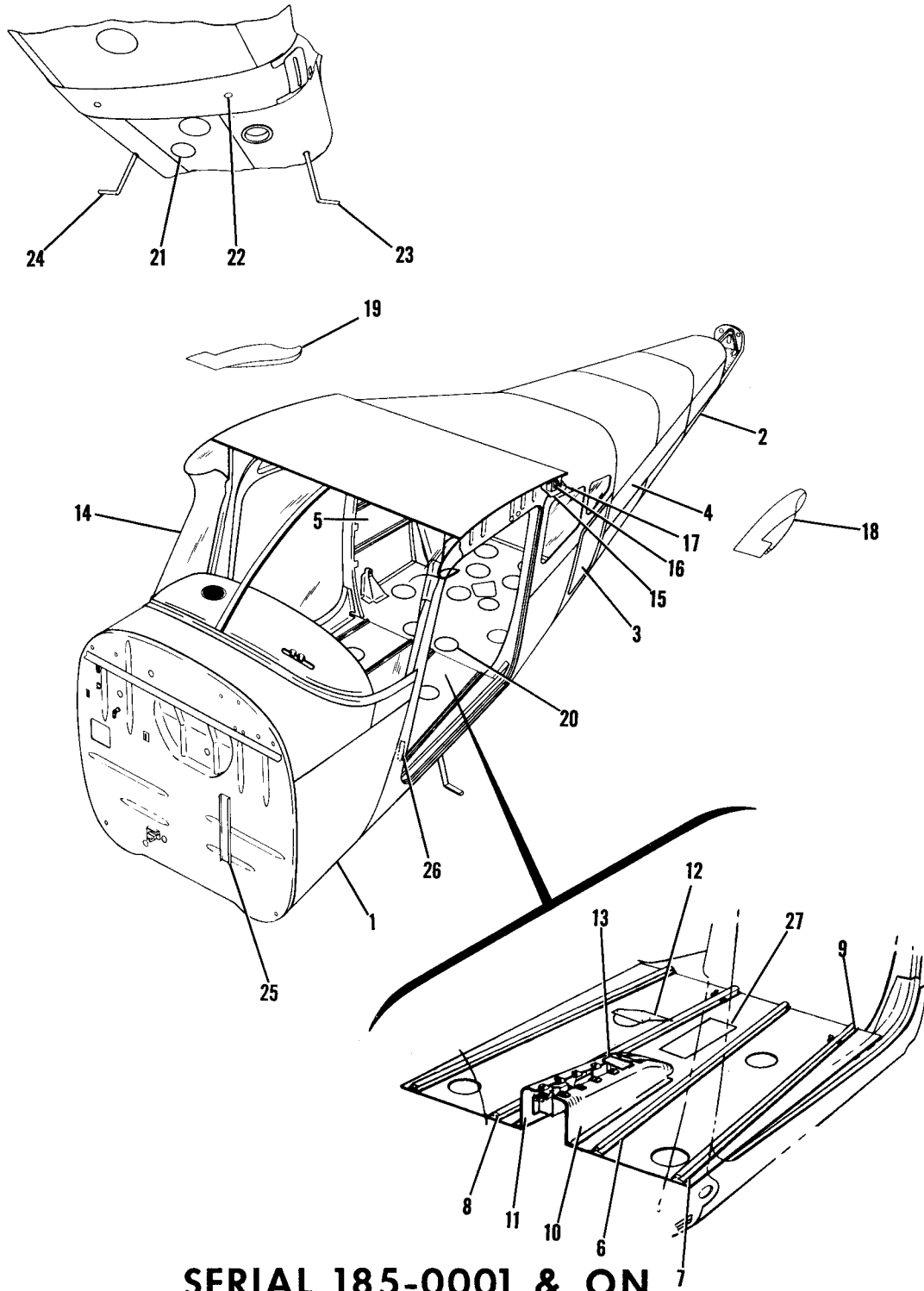
Figure 20. Rudder Assembly

FIGURE AND INDEX NO.	PART NUMBER	DESCRIPTION	UNITS PER ASSY	USABLE ON CODE
20 -	0733110-1 0731000-40	RUDDER ASSEMBLY ----- RUDDER ASSEMBLY ----- ATTACHING PARTS	1 1	A B
- 1	AN4-11A	BOLT -----	2	
- 2	AN960-416	WASHER -----	6	
- 3	NAS679A4	NUT -----	3	
- 4	AN4-12A	BOLT -----	1	
- 5	0731100-5	BRACKET-UPPER HINGE UPPER -----	1	B
- 6	0733110-2	SPAR ASSEMBLY-RUDDER -----	1	A
- 7	0731100-5	BRACKET-UPPER HINGE UPPER -----	1	A
- 8	0731100-6	BRACKET-UPPER HINGE LOWER -----	1	A
- 9	0731100-12	BRACKET-LOWER HINGE UPPER -----	1	A
- 10	0731100-11	BRACKET-LOWER HINGE LOWER -----	1	A
- 11	0733100 0731000-31	TUBE ASSEMBLY-TORQUE ----- SPAR ASSEMBLY-RUDDER -----	1 1	A B
- 12	0733100	TUBE ASSEMBLY-TORQUE -----	1	B
- 13	0731100-12	BRACKET-LOWER HINGE UPPER -----	1	B
- 14	0731100-6	BRACKET-UPPER HINGE LOWER -----	1	B
- 15	0731100-11	BRACKET-LOWER HINGE LOWER -----	1	B
- 16	0733102-5	BELLCRANK ASSEMBLY-RUDDER ----- ATTACHING PARTS	1	
- 17	AN3-5A AN960-10L MS21044N3	BOLT ----- WASHER ----- NUT -----	4 8 4	
- 18	S1K5	BEARING FAF -----	1	
- 19	0733103	BUSHING -----	2	
- 20	0733102-3	RETAINER-BEARING -----	1	
- 21	0731000-6	RIB-RUDDER -----	1	
- 22	0731000-7	RIB-RUDDER -----	1	
- 23	0731000-8	RIB-RUDDER -----	1	
- 24	0731000-49	RIB-RUDDER -----	1	B
- 25	0731000-50	STIFFENER -----	1	B
- 26	0733107-1	RIB-RUDDER -----	1	A
- 27	0731000-27	RIB-RUDDER -----	1	B
- 28	0733106-1	RIB-RUDDER CANTED -----	1	A
- 29	0731000-36	RIB-RUDDER CANTED -----	1	B
- 30	0733108-1	WEIGHT-BALANCE -----	1	A
- 31	0733101-1	WEIGHT-BALANCE ----- ATTACHING PARTS	1	B
- 32	AN520-10R28	SCREW -----	1	
- 33	22A21-22-02	NUT-FLOATING EN -----	1	B
- 34	0733110-4	SKIN-RUDDER HORN -----	1	A
- 35	0731000-9	SKIN-RUDDER HORN -----	1	B
- 36	0733105-2	TIP ASSEMBLY-RUDDER -----	1	A
- 37	0731000-19	TIP ASSEMBLY-RUDDER ----- ATTACHING PARTS	1	B
	CR163-4-4	RIVET CY -----	6	A
- 38	0731000-30	TAB-RUDDER -----	1	
- 39	0733110-3	SPACER-RUDDER -----	1	A
- 40	0731000-45	SPACER-RUDDER -----	1	B
- 41	0733110-5	SKIN-NOSE -----	1	A
- 42	0731000-39	SKIN-NOSE -----	1	B
- 43	0731000-53	SKIN-RUDDER LH -----	1	A
- 44	0731000-13	SKIN-RUDDER LH -----	1	B
- 45	0731000-52	SKIN-RUDDER RH -----	1	A
- 46	0731000-14	SKIN-RUDDER RH -----	1	B
- 47	0731000-35	SPACER -----	1	B
- 47A	0733111-1	STIFFENER -----	1	D
- 48	5169 C592001-0101	STATIC DISCHARGER WHEN EXHAUSTED USE C592001-0101 ----- STATIC DISCHARGER ----- ATTACHING PARTS	1 1	C E
- 49	AN515-8R8 AN515-6R8 NAS1329A08K75 NAS1329A06K75	SCREW ----- SCREW ----- RIVNUT ----- RIVNUT -----	2 2 2 2	C E C E

A---SERIAL 185-0001 & ON
 B---SERIAL 18051184 & ON
 C---SERIAL 18051446 THRU 18051906
 SERIAL 185-0777 THRU 185-1335
 D---SERIAL 185-0877 & ON
 E---SERIAL 18051907 & ON
 SERIAL 185-1336 & ON

FIGURE AND INDEX NO.	PART NUMBER	DESCRIPTION	UNITS PER ASSY	USABLE ON CODE
21 -		ELEVATOR INSTALLATION -----	NP	
	0734600-1	ELEVATOR ASSEMBLY-LH -----	1	A
	0734600-21	ELEVATOR ASSEMBLY-LH -----	1	B
	0734600-19	ELEVATOR ASSEMBLY-RH -----	1	A
	0734600-23	ELEVATOR ASSEMBLY-RH -----	1	B
		ATTACHING PARTS		
- 1	AN4-11A	BOLT -----	2	
- 2	AN960-416L	WASHER -----	4	
- 3	NAS679A4	NUT -----	2	
		-----*		
- 4	0734601-1	SPAR ASSEMBLY-LH -----	1	
- 5	0734601-2	SPAR ASSEMBLY-RH -----	1	
- 6	0734601-3	SPAR-ELEVATOR -----	1	
- 7	0734110-1	TUBE ASSEMBLY-TORQUE LH -----	1	
- 8	0734110-2	TUBE ASSEMBLY-TORQUE RH -----	1	
- 9	0732100-4	HINGE-ELEVATOR INBOARD -----	1	
-10	0732100-11	HINGE-ELEVATOR OUTBOARD -----	1	
-11	0732100-10	HINGE-ELEVATOR INBOARD -----	1	
-12	0732100-3	HINGE-ELEVATOR OUTBOARD -----	1	
-13	0734604-1	RIB-ELEVATOR CANTED OUTBOARD -----	1	
-14	0733101-3	WEIGHT-ELEVATOR BALANCE -----	1	A
	0734610-2	WEIGHT-ELEVATOR BALANCE -----	1	B
		ATTACHING PARTS		
-15	AN509-10R29	SCREW -----	1	
-16	NAS686A3	NUTPLATE -----	1	
		-----*		
-17	0734602-1	RIB-ELEVATOR TIP -----	1	
-18	0734602-4	RIB-ELEVATOR -----	1	
-19	0734602-3	RIB-ELEVATOR -----	1	
-20	0734602-2	RIB-ELEVATOR -----	1	
-21	0734605-1	STIFFENER -----	1	
-22	0734600-5	SKIN-ELEVATOR LEADING EDGE -----	1	
-23	0734600-4	SKIN-ELEVATOR -----	1	
-24	0734600-9	SKIN-ELEVATOR -----	1	
-25	0734600-7	SKIN-ELEVATOR OUTBOARD -----	1	
-26	0734608-1	TIP-ELEVATOR -----	1	A
	0734609-1	TIP-ELEVATOR -----	1	B
-27	0734600-8	SPACER -----	1	
-28	0734600-3	SPACER -----	1	
-29	0734606-1	SPACER -----	1	
-29A	0734611-1	STIFFENER-ELEVATOR -----	1	D
-30	1234029-1	PYLON ASSEMBLY-ELEVATOR -----	1	
		ATTACHING PARTS		
-31	AN4-11A	BOLT -----	1	
-32	AN4-7A	BOLT -----	3	
-33	NAS679A4	NUT -----	4	
		-----*		
-34	MS20200KP4	BEARING -----	1	
-35	4NCC910P	BEARING TOR -----	1	
-36	5169	STATIC DISCHARGER -----	2	C
	C592001-0101	STATIC DISCHARGER ----- WHEN EXHAUSTED USE C592001-0101 -----	2	E
		ATTACHING PARTS		
-37	AN515-8R8	SCREW -----	2	C
	AN515-6R8	SCREW -----	2	E
	NAS1329A08K75	RIVNUT -----	2	C
	NAS1329A06K75	RIVNUT -----	2	E
		-----*		
		A---SERIAL 185-0001 THRU 185-0338		
		B---SERIAL 185-0339 & ON		
		SERIAL 18051184 & ON		
		C---SERIAL 185-0777 THRU 185-1335		
		SERIAL 18051446 THRU 18051906		
		D---SERIAL 185-0800 & ON		
		SERIAL 18051485 & ON		
		E---SERIAL 185-1336 & ON		
		SERIAL 18051907 & ON		

Fuselage



SERIAL 185-0001 & ON
SERIAL 18051313 & ON

Figure 22. Fuselage Assembly

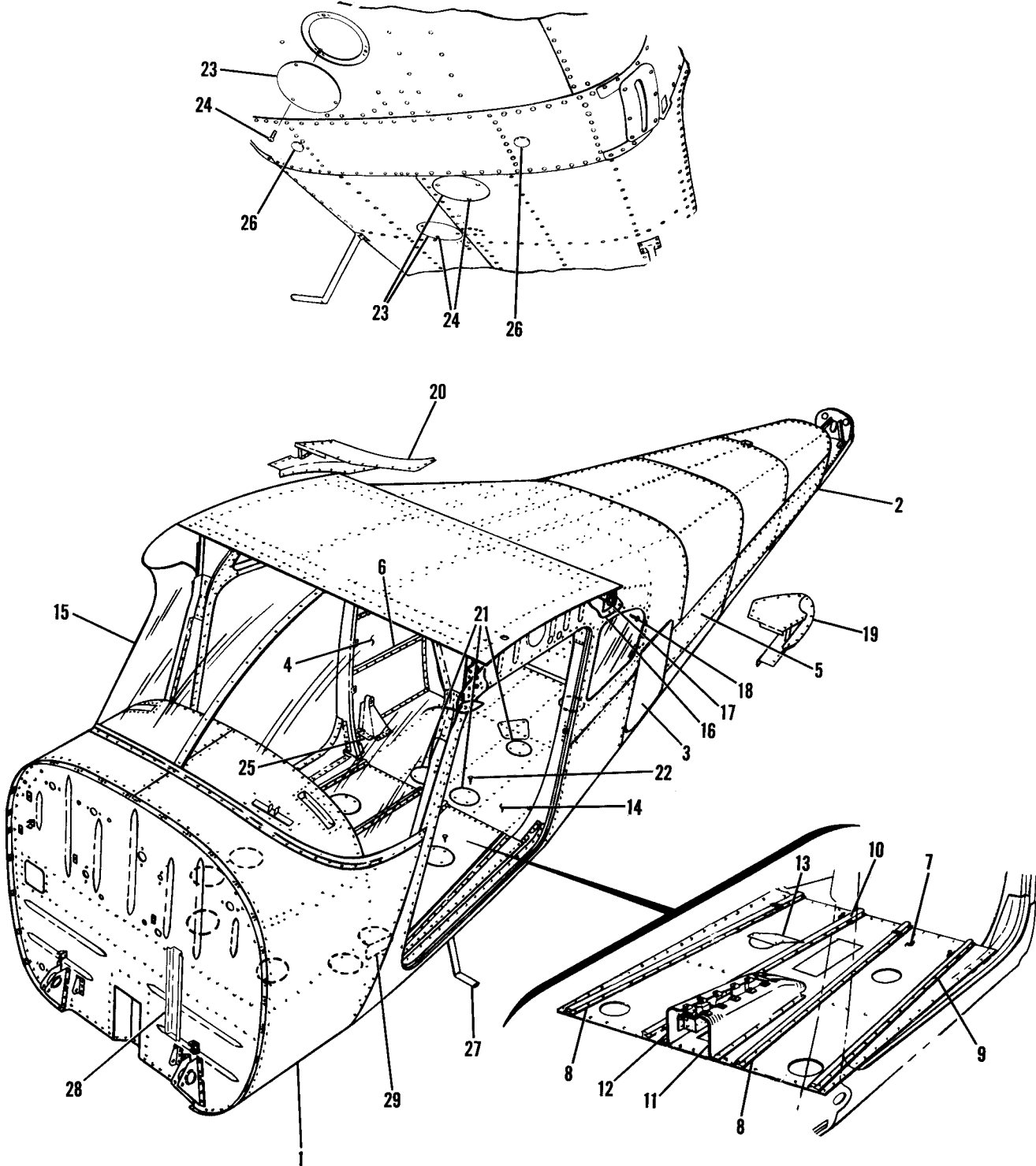
FIGURE AND INDEX NO.	PART NUMBER	DESCRIPTION	UNITS PER ASSY	USABLE ON CODE
22 -		FUSELAGE ASSEMBLY -----	NP	A
		FUSELAGE ASSEMBLY -----	NP	C
- 1		FRONT & CENTER SECTION ASSEMBLY-FUSELAGE SEE FIGURE 24 ---	1	
- 2		AFT SECTION ASSEMBLY-FUSELAGE SEE FIGURES 35 & 35A -----	1	
- 3		DOOR INSTALLATION-BAGGAGE SEE FIGURE 52 -----	NP	
- 4	0710003-18	PLATE-FUSELAGE SPLICE LH STA 108.00 TO 209.00 -----	1	
- 5	0710003-16	PLATE-FUSELAGE SPLICE RH STA 65.33 TO 209.00 -----	1	
- 6	0511000-68	RAIL-FRONT SEAT INBOARD LH & OUTBOARD RH -----	2	F
	0711693-1	RAIL-FRONT SEAT INBOARD LH & OUTBOARD RH -----	2	G
	0711693-5	RAIL-FRONT SEAT INBOARD LH & OUTBOARD RH -----	2	Q
- 7	0511000-69	RAIL-FRONT SEAT OUTBOARD LH -----	1	F
	0711693-3	RAIL-FRONT SEAT OUTBOARD LH -----	1	L
	0711693-4	RAIL-FRONT SEAT OUTBOARD LH -----	1	P
	0711693-6	RAIL-FRONT SEAT OUTBOARD LH -----	1	Q
- 8	0511000-70	RAIL-FRONT SEAT INBOARD RH -----	1	F
	0711693-2	RAIL-FRONT SEAT INBOARD RH -----	1	L
	0711693-4	RAIL-FRONT SEAT INBOARD RH -----	1	P
	0711693-6	RAIL-FRONT SEAT INBOARD RH -----	1	Q
		ATTACHING PARTS		
- 9	AN3-4A	BOLT -----	2	
	AN960-10	WASHER -----	2	
	MS21044N3	NUT -----	2	
		-----*		
-10	0510183-2	BULKHEAD-FUSELAGE TUNNEL AFT LH -----	1	D
	0510183-4	BULKHEAD-FUSELAGE TUNNEL AFT LH WEU 0510183-5 -----	1	K
	0510183-5	BULKHEAD ASSEMBLY-FUSELAGE TUNNEL AFT LH -----	1	R
	0510183-9	BULKHEAD ASSEMBLY-FUSELAGE TUNNEL AFT LH -----	1	S
	NAS686A4	NUTPLATE SEAT BELT ATTACH -----	1	M
-11	0510183-3	BULKHEAD-FUSELAGE TUNNEL AFT RH -----	1	D
	0510183-1	BULKHEAD-FUSELAGE TUNNEL AFT RH WEU 0510183-6 -----	1	K
	0510183-6	BULKHEAD ASSEMBLY-FUSELAGE TUNNEL AFT RH -----	1	R
	0510183-10	BULKHEAD ASSEMBLY-FUSELAGE TUNNEL AFT RH -----	1	S
	NAS686A4	NUTPLATE SEAT BELT ATTACH -----	1	M
	NAS395-16-3	NUT -----	10	
-12	0510129-4	PLATE-FUSELAGE TUNNEL AFT -----	1	D
	0510129-3	PLATE-FUSELAGE TUNNEL AFT -----	1	E
		ATTACHING PARTS		
	NAS395-16-3	NUT -----	8	D
	S1021Z10-8	SCREW -----	8	D
		-----*		
-13	0716107-1	PLATE-FUEL VALVE -----	1	B
	0713947-1	CHANNEL-FUEL SHUT OFF -----	1	N
-14		WINDSHIELD INSTALLATION SEE FIGURE 31 -----	NP	
-15	0512146	PLATE-REINFORCEMENT LH -----	1	
	0512146-1	PLATE-REINFORCEMENT RH -----	1	
-16	0512149-1	BRACKET-FLAP PULLEY LH -----	1	
	0512149-2	BRACKET-FLAP PULLEY RH -----	1	
		ATTACHING PARTS		
-17	AN3-4A	BOLT -----	1	
	MS21044N3	NUT -----	1	
		-----*		
-18	0710109-1	FILLET-WING LH -----	1	
-19	0710109-2	FILLET-WING RH -----	1	
-20	S225-1	PLATE-INSPECTION OPENING COVER -----	13	
		ATTACHING PARTS		
	49330	STUD-TRIMOUNT UC -----	3	
		-----*		
-21	S225-1	PLATE-INSPECTION OPENING COVER -----	4	
		ATTACHING PARTS		
	S1021Z8-6	SCREW -----	3	
		-----*		
-22	CM2692-32-1S	PLUG BUTTON -----	2	
-23	0711006-1	STEP ASSEMBLY-LH -----	1	H
	0711710-5	STEP ASSEMBLY-LH -----	1	J
-24	0711006-2	STEP ASSEMBLY-RH -----	1	H
	0711710-6	STEP ASSEMBLY-RH -----	1	J
		ATTACHING PARTS		
	AN525-416R9	SCREW -----	1	
	NAS679A4	NUT -----	1	
		-----*		
	1510040-5	SAFETY STEP -----	1	J

CONTINUED ON NEXT PAGE

FIGURE AND INDEX NO.	PART NUMBER	DESCRIPTION	UNITS PER ASSY	USABLE ON CODE
22 -25 -26 -27	0713119-1 0311516-4	<p>1 2 3 4 5 6 7</p> <p>CHANNEL-PARKING BRAKE STIFFENER ----- NAMEPLATE-M.A.A. ----- PLATE-COVER ----- ATTACHING PARTS STUD UC ----- ---*---</p>	1 NP 1	
	49330	<p>A---SERIAL 185-0001 & ON B---SERIAL 185-0001 THRU 185-0415 C---SERIAL 18051313 & ON D---SERIAL 185-0001 THRU 185-0653 E---SERIAL 18051313 THRU 18052215 SERIAL 185-0654 THRU 18501943 F---SERIAL 185-0001 THRU 185-0806 SERIAL 18051313 THRU 18051490 G---SERIAL 185-0807 THRU 18501954 SERIAL 18051491 THRU 18052215 H---SERIAL 185-0001 THRU 185-1300 SERIAL 18051313 THRU 18051875 J---SERIAL 185-1301 & ON SERIAL 18051876 & ON K---SERIAL 185-0654 THRU 185-1599 SERIAL 18051313 THRU 18052103 L---SERIAL 185-0807 THRU 185-1599 SERIAL 18051491 THRU 18052103 M---SERIAL 18501600 & ON SERIAL 18052104 & ON N---SERIAL 18501680 18501943 P---SERIAL 18501600 THRU 18501954 SERIAL 18052104 THRU 18052215 Q---SERIAL 18501955 & ON SERIAL 18052216 & ON R---SERIAL 18501600 THRU 18501943 SERIAL 180521004 THRU 18052215 S---SERIAL 18501944 & ON SERIAL 18052216 & ON</p>	8	

This page intentionally left blank.

Fuselage (Cont)



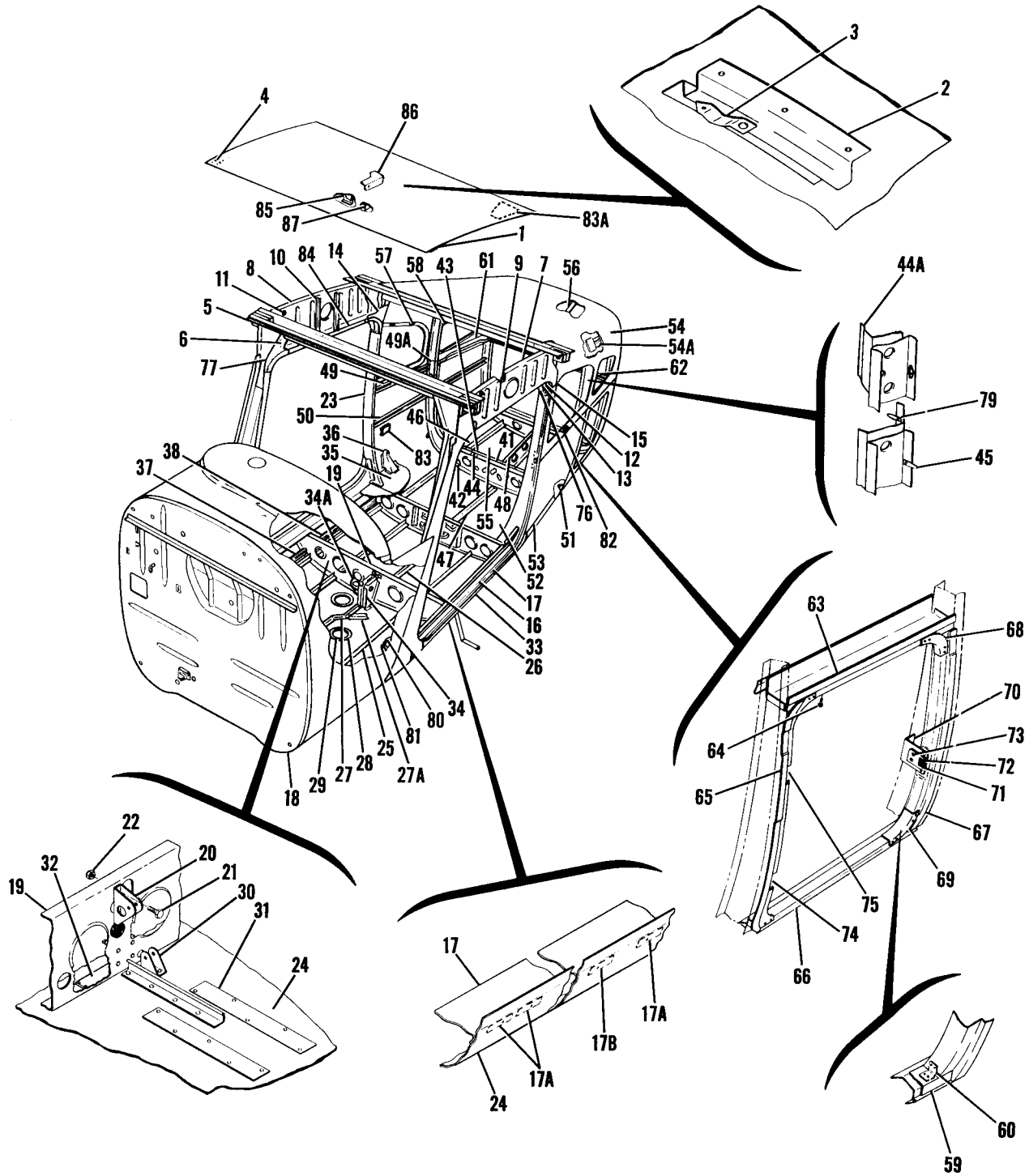
SERIAL 18051184 THRU 18051312

Figure 23. Fuselage Assembly



FIGURE AND INDEX NO.	PART NUMBER	DESCRIPTION	UNITS PER ASSY	USABLE ON CODE
23 -		FUSELAGE ASSEMBLY -----	NP	A
- 1	0791102-8	FRONT & CENTER SECTION-FUSELAGE SEE FIGURE 25 -----	1	
- 2	0791200-8	AFT SECTION ASSEMBLY-FUSELAGE SEE FIGURE 35 -----	1	
- 3		DOOR INSTALLATION-BAGGAGE SEE FIGURE 52 -----	1	
- 4	0710003-16	PLATE-FUSELAGE SPLICE RH STA 65.33 TO 209.00 -----	1	
- 5	0710003-18	PLATE-FUSELAGE SPLICE LH STA 108.00 TO 140.00 -----	1	
- 6	0511146	RETAINER-UPHOLSTERY -----	2	
- 7	0511000-41	FLOORBOARD-SHEET -----	1	
- 8	0511000-14	RAIL-FRONT SEAT INBOARD LH & OUTBOARD RH -----	2	
- 9	0511000-15	RAIL-FRONT SEAT OUTBOARD LH -----	1	
-10	0511000-64	RAIL-FRONT SEAT INBOARD RH -----	1	
-11	0510114-50	BULKHEAD ASSEMBLY-FUSELAGE TUNNEL AFT LH -----	1	
-12	0510114-51	BULKHEAD ASSEMBLY-FUSELAGE TUNNEL AFT RH -----	1	
-13	0510129-3	PLATE-FUSELAGE TUNNEL REAR -----	1	
-14	0512107-36	FLOORBOARD ASSEMBLY-FUSELAGE AFT -----	1	
-15		WINDSHIELD INSTALLATION SEE FIGURE 31 -----	1	
-16	0512146	PLATE-REINFORCEMENT LH -----	1	
	0512146-1	PLATE-REINFORCEMENT RH -----	1	
-17	0512149-1	BRACKET-FLAP PULLEY LH -----	1	
	0512149-2	BRACKET-FLAP PULLEY RH -----	1	
		ATTACHING PARTS		
-18	AN3-4A	BOLT -----	2	
	MS21044N3	NUT -----	2	
		-----*		
-19	0710109-1	FILLET-WING LH -----	1	
-20	0710109-2	FILLET-WING RH -----	1	
-21	S225-1	PLATE-INSPECTION OPENING COVER -----	3	
		ATTACHING PARTS		
-22	49330	STUD-TRIMOUNT UC -----	3	
		-----*		
-23	S225-1	PLATE-INSPECTION OPENING COVER -----	3	
		ATTACHING PARTS		
-24	S102128-8	SCREW -----	3	
		-----*		
-25	0511312-1	BRACKET ASSEMBLY-REAR SEAT ATTACHMENT -----	2	
	NAS680A3	NUTPLATE -----	1	
-26	CM2692-32-1S	PLUG BUTTON -----	2	
-27	0711006-1	STEP ASSEMBLY-LH -----	1	
	0711006-2	STEP ASSEMBLY-RH -----	1	
		ATTACHING PARTS		
	AN525-416R9	SCREW -----	2	
	NAS679A4	NUT -----	2	
		-----*		
-28	0713119-1	CHANNEL-PARKING BRAKE STIFFENER -----	1	
-29		NAMEPLATE-M.A.A. -----	NP	
A---SERIAL 18051184 THRU 18051312				

Fuselage (Cont)



SERIAL 185-0001 & ON
SERIAL 18051313 & ON

Figure 24. Fuselage Front & Center Section

FIGURE AND INDEX NO.	PART NUMBER	DESCRIPTION	UNITS	USABLE
			PER ASSY	ON CODE
		1 2 3 4 5 6 7		
24 -	0791102-10	FRONT & CENTER SECTION ASSEMBLY-FUSELAGE -----	1	E
	0791102-13	FRONT & CENTER SECTION ASSEMBLY-FUSELAGE -----	1	J
	0791102-14	FRONT & CENTER SECTION ASSEMBLY-FUSELAGE -----	1	S
	0791102-16	FRONT & CENTER SECTION ASSEMBLY-FUSELAGE -----	1	T
	0791102-20	FRONT & CENTER SECTION ASSEMBLY-FUSELAGE -----	1	X
	0791102-22	FRONT & CENTER SECTION ASSEMBLY-FUSELAGE -----	1	AD
		FRONT & CENTER SECTION ASSEMBLY-FUSELAGE -----	NP	AF
	0791102-12	FRONT & CENTER SECTION ASSEMBLY-FUSELAGE -----	1	H
	0791102-15	FRONT & CENTER SECTION ASSEMBLY-FUSELAGE -----	1	U
	0791102-17	FRONT & CENTER SECTION ASSEMBLY-FUSELAGE -----	1	V
	0791102-21	FRONT & CENTER SECTION ASSEMBLY-FUSELAGE -----	1	Y
	0791102-23	FRONT & CENTER SECTION ASSEMBLY-FUSELAGE -----	1	AE
		FRONT & CENTER SECTION ASSEMBLY-FUSELAGE -----	NP	AG
	1210020-200	TOP ASSEMBLY-CABIN -----	1	
- 1	1210020-4	CAP-FRONT SPAR -----	1	A
	1210020-8	CAP-FRONT SPAR -----	1	B
- 2	0411718-5	STIFFENER ASSEMBLY-SKIN -----	2	
- 3	0411680	HANGER-HEADLINER -----	2	
- 4	S1860-2A	NUTPLATE -----	4	A
	NAS680A08	NUTPLATE -----	4	B
- 5	0511000-63	RETAINER-WINDSHIELD SEE FIGURE 31 -----	1	
- 6	NAS680A3	NUTPLATE -----	2	
- 7	0511000-43	RIB-FUSELAGE FRONT & CENTER SECTION LH -----	1	
- 8	0511000-44	RIB-FUSELAGE FRONT & CENTER SECTION RH -----	1	
- 9	1210030-1	STIFFENER LH -----	2	
-10	1210030-2	STIFFENER RH -----	2	
-11	MS35489-16	GROMMET -----	2	
-12	0511000-6	FRAME-DOOR UPPER OUTBOARD LH -----	1	
	0511000-7	FRAME-DOOR UPPER OUTBOARD RH -----	1	
-13	0511000-22	FRAME-DOOR UPPER INBOARD LH -----	1	
	0511000-23	FRAME-DOOR UPPER INBOARD RH -----	1	
-14	0511000-8	GUSSET PLATE-REAR UPPER DOOR JAMB LH -----	1	AH
	0511000-9	GUSSET PLATE-REAR UPPER DOOR JAMB RH -----	1	AH
	0511000-73	GUSSET PLATE ASSEMBLY-REAR UPPER DOOR JAMB LH -----	1	AJ
	0511000-74	GUSSET PLATE ASSEMBLY-REAR UPPER DOOR JAMB RH -----	1	AJ
		ATTACHING PARTS		
	AN525-832R9	SCREW -----	7	AJ
	AN960-8L	WASHER UNDER NUT -----	7	AJ
	MS21044N08	NUT -----	7	AJ
		-----*		
	NAS680A4	NUTPLATE SHOULDER HARNESS ATTACH -----	1	AJ
-15	0511150	BRACKET-LH -----	1	
	0511150-1	BRACKET-RH -----	1	
-16	0511116-8	SILL ASSEMBLY-DOOR LOWER LH -----	1	
	0511116-9	SILL ASSEMBLY-DOOR LOWER RH -----	1	
-17	0511000-36	SUPPORT-DOOR SILL LOWER LH -----	1	
	0511000-37	SUPPORT-DOOR SILL LOWER RH -----	1	
-17A	0710003-41	STRAP RETAINER ASSEMBLY-LH -----	3	Z
	0710003-40	STRAP RETAINER ASSEMBLY-RH -----	3	Z
-17B	0710003-40	STRAP RETAINER ASSEMBLY-LH -----	1	Z
	0710003-41	STRAP RETAINER ASSEMBLY-RH -----	1	Z
-18	SEE FIG 28	STRUCTURE ASSEMBLY-FUSELAGE FRONT SECTION -----	1	
-19	0511290-5	BULKHEAD ASSEMBLY STA 44.00 WEU 0511290-6 -----	1	K
	0511290-6	BULKHEAD ASSEMBLY STA 44.00 -----	1	L
	0710656-1	SUPPORT ASSEMBLY-SEAT BELT FITTING OUTBD LH -----	1	L
	0710656-2	SUPPORT ASSEMBLY-SEAT BELT FITTING OUTBD RH -----	1	L
-20	0411447	BRACKET-ELEVATOR PULLEY -----	1	
		ATTACHING PARTS		
-21	AN520-10R7	BOLT -----	1	
-22	MS21044N3	NUT -----	1	
		-----*		
-23	0512124-41	BULKHEAD ASSEMBLY-FUSELAGE STA 65.33 SEE FIGURE 32 --	1	Q
	0512124-52	BULKHEAD ASSEMBLY-FUSELAGE STA 65.33 SEE FIGURE 32A --	1	R
	0512124-73	BULKHEAD ASSEMBLY-FUSELAGE STA 65.33 SEE FIGURE 32A --	1	AJ

CONTINUED ON NEXT PAGE

FIGURE AND INDEX NO.	PART NUMBER	DESCRIPTION	UNITS PER ASSY							USABLE ON CODE
			1	2	3	4	5	6	7	
24 -24	0791102-9	SKIN ASSEMBLY-CENTER SECTION LOWER STA 27.812 TO 65.33 --	1							
-25	0710006-1	STRINGER-CENTER SECTION LH -----	1							
	0710006-2	STRINGER-CENTER SECTION RH -----	1							
-26	0710006-4	STRINGER-CENTER SECTION -----	1							
-27	0511000-35	STRINGER-CENTER SECTION -----	1							
-27A	0710003-19	ANGLE -----	1							
-28	S226-3	DOUBLER -----	2							
-29	NAS395-14-3	NUT -----	6							
-30	0510174	BRACKET -----	1							
-31	0511000-60	RUB STRIP -----	2							
-32	0710034-1	RUB STRIP -----	1							
-33	0710003-3	DOUBLER-LOWER SKIN LH -----	1							
	0710003-4	DOUBLER-LOWER SKIN RH -----	1							
-34	0711003	BRACKET ASSEMBLY-IDLER SPORCKET -----	1							
-34A	0716101	BRACKET-FUEL SELECTOR -----	1							M
-35	SEE FIG 27	FLOORBOARD INSTL-FUSELAGE CENTER SECTION -----	1							
-36	0511312-1	BRACKET ASSEMBLY-REAR SEAT ATTACHMENT -----	2							
	NAS686A4	NUTPLATE -----	1							
-37	0710005-1	STIFFENER -----	2							
-38	0710005-2	STIFFENER -----	2							
-39		DELETED, NOT AVAILABLE -----								
-40		DELETED, NOT AVAILABLE -----								
	0711112-9	BULKHEAD ASSEMBLY-FUSELAGE STA 90.00 WEU 0711112-10 -----	1							AH
	0711112-10	BULKHEAD ASSEMBLY-FUSELAGE STA 90.00 -----	1							AJ
-41	0711112-8	BULKHEAD-FUSELAGE WEU 0711112-14 -----	1							AH
	0711112-14	BULKHEAD-FUSELAGE -----	1							AJ
-42	0512113-7	ANGLE -----	1							
-43	0742111-1	REINFORCEMENT-BULKHEAD WEU 0742111-2 -----	1							AH
	0742111-2	REINFORCEMENT-BULKHEAD -----	1							AJ
-44	0711801-2	DOUBLER ASSEMBLY-CARGO TIE DOWN -----	2							Z
-44A	0711112-3	RETAINER-WINDOW -----	1							AH
	0711112-12	RETAINER-WINDOW -----	1							AJ
-45	0511176	CLIP-UPHOLSTERY RETAINING -----	6							
	NAS697A3	NUT-ANCHOR -----	1							
	NAS697A4	NUT-ANCHOR -----	1							
	NAS395-5-3	NUT -----	4							
	0710008-3	ANGLE ASSEMBLY-SEAT BELT ATTACH -----	1							AJ
	NAS696A4	NUTPLATE -----	2							AJ
	0716128-45	DOUBLER TACTAIR INSTALLATION ONLY -----	1							
-46	0710003-6	STRINGER-FUSELAGE LOWER RH -----	1							
	0710003-5	STRINGER-FUSELAGE LOWER LH -----	1							
-47	0710003-12	STRINGER-FUSELAGE LOWER -----	1							
-48	0710007-1	BULKHEAD ASSEMBLY-LOWER STA 90.00 TO 108.00 -----	1							AH
	0710007-3	BULKHEAD-LOWER STA 90.00 TO 108.00 -----	1							AJ
-49	0711091-5	BULKHEAD-FUSELAGE UPPER LH STA 65.33 TO 90.00 -----	1							
	0711091-6	BULKHEAD-FUSELAGE UPPER RH STA 65.33 TO 90.00 -----	1							
-49A	0712518-2	BRACKET-SHOULDER HARNESS STOWAGE RH -----	1							AJ
	0712518-1	BRACKET-SHOULDER HARNESS STOWAGE LH -----	1							AJ
-50	0711091-3	BULKHEAD-FUSELAGE LOWER LH STA 65.33 TO 90.00 -----	1							
	0711091-4	BULKHEAD-FUSELAGE LOWER RH STA 65.33 TO 90.00 -----	1							
-51	0711084-15	PLATE ASSEMBLY-CENTER SEAT BELT ATTACHMENT LH -----	1							
	0711084-16	PLATE ASSEMBLY-CENTER SEAT BELT ATTACHMENT RH -----	1							
-52	0710003-10	SKIN-FUSELAGE LOWER STA 65.33 TO 90.00 -----	1							
-53	0710003-7	DOUBLER-LOWER SKIN LH -----	1							
	0710003-8	DOUBLER-LOWER SKIN RH -----	1							
	NAS680A3	NUTPLATE -----	2							
-54	0791101-12	SKIN ASSEMBLY-REAR CABIN TOP SEE FIG 26 -----	1							AH
	0791101-17	SKIN ASSEMBLY-REAR CABIN TOP SEE FIG 26 -----	1							AJ
-54A	0712763-1	SUPPORT ASSEMBLY-SHOULDER HARNESS ATTACH LH -----	1							AJ
	0712763-2	SUPPORT ASSEMBLY-SHOULDER HARNESS ATTACH RH -----	1							AJ
	NAS687A4	NUTPLATE -----	1							AJ
-55	0710003-9	SKIN-FUSELAGE LOWER STA 90.00 TO 108.00 -----	1							
-56	0511232-4	STRAP-SHOULDER HARNESS REINFORCEMENT -----	2							
-57	0511133	BRACKET-UPHOLSTERY -----	4							
-58	0711116-1	BRACKET-UPHOLSTERY -----	2							
-59	0710004-3	REINFORCEMENT WEU 0711786-1 -----	1							AB
	0711786-1	REINFORCEMENT -----	1							AC
-60	0711101-17	CLIP -----	2							
-61	0711054-2	BULKHEAD-BAGGAGE SHELF -----	1							

CONTINUED ON NEXT PAGE

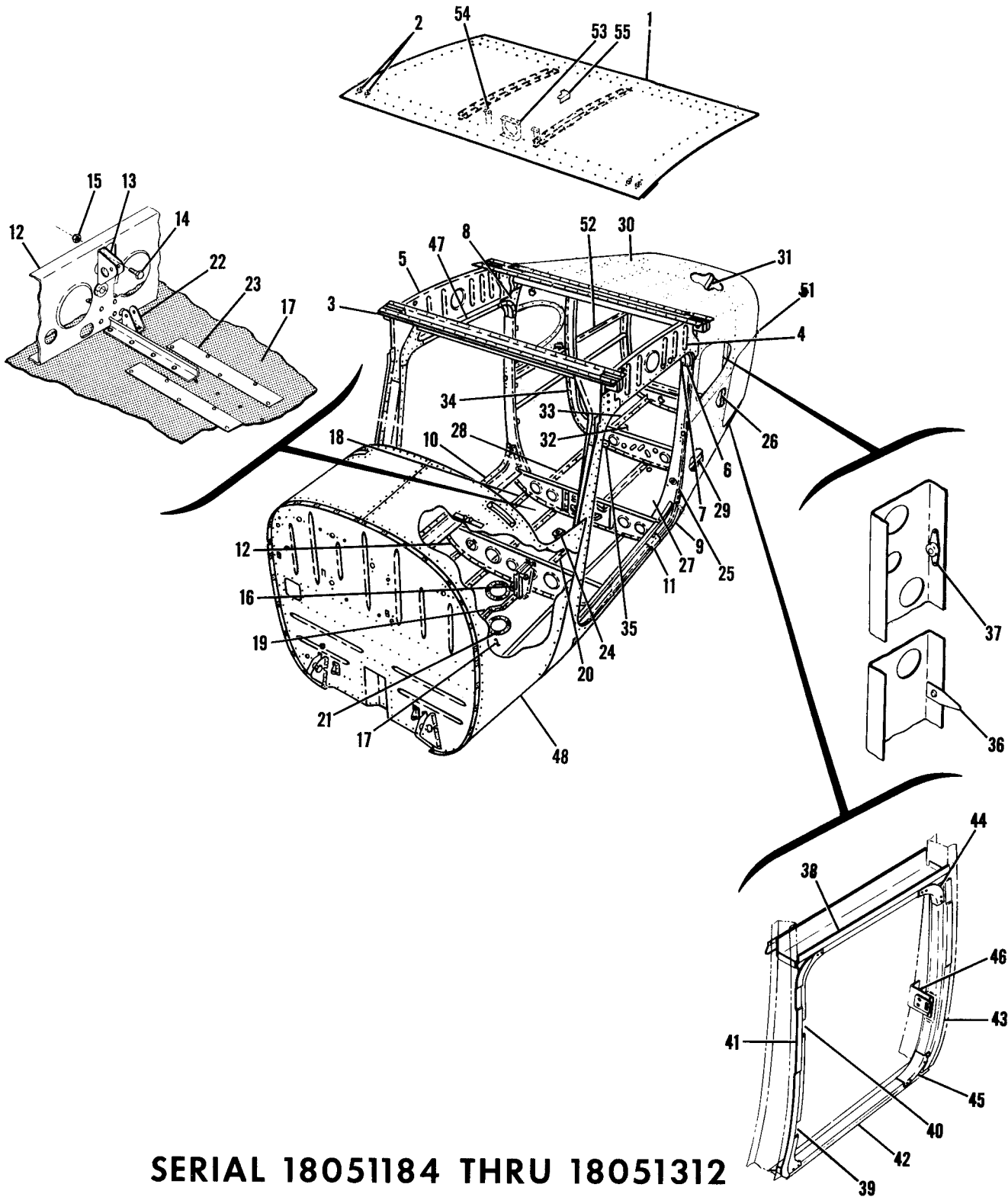
FIGURE AND INDEX NO.	PART NUMBER	DESCRIPTION	UNITS PER ASSY	USABLE ON CODE
		1 2 3 4 5 6 7		
24 -62	0710031-1	SUPPORT-BAGGAGE SHELF WHEN EXHAUSTED USE 0710031-4 -----	1	
	0710031-4	SUPPORT-BAGGAGE SHELF -----	1	
-63	0711053-1	JAMB ASSEMBLY-BAGGAGE DOOR UPPER -----	1	
	NAS680A08	NUTPLATE -----	1	
-64	S1021Z8-8	SCREW -----	1	
-65	0711101-4	JAMB-BAGGAGE DOOR FORWARD -----	1	
-66	0711101-8	JAMB-BAGGAGE DOOR LOWER WEU 0711101-42 -----	1	AB
	0711101-42	JAMB-BAGGAGE DOOR LOWER -----	1	AC
-67	0711101-6	JAMB-BAGGAGE DOOR AFT -----	1	
-68	0711101-15	GUSSET-BAGGAGE DOOR AFT UPPER -----	1	
-69	0711101-16	GUSSET-BAGGAGE DOOR AFT LOWER WEU 0711101-43 -----	1	AB
	0711101-43	GUSSET-BAGGAGE DOOR AFT LOWER -----	1	AC
-70	0711101-7	REINFORCEMENT-BAGGAGE DOOR LATCH -----	1	
-71	0311319-1	PLATE-BAGGAGE DOOR STRIKER -----	1	
-72	0311319-2	SHIM-STRIKER PLATE -----	1	
		ATTACHING PARTS		
-73	AN515-8R8	SCREW -----	2	
		---*---		
-74	0711101-10	BRACKET-BAGGAGE DOOR LOWER HINGE -----	1	
-75	0711101-11	BRACKET-BAGGAGE DOOR UPPER HINGE -----	1	
-76	CR163-4-10	RIVET CY -----	8	
-77	0700105-423	GUSSET-UPHOLSTERY RETAINER REAR LH -----	1	F
	0700105-424	GUSSET-UPHOLSTERY RETAINER REAR RH -----	1	F
-78		DELETED, NOT AVAILABLE -----		
-79	0413181-2	CLIP-UPHOLSTERY RETAINING -----	2	
-80	0713165-1	ADAPTER-ROTATING BEACON -----	1	G
		ATTACHING PARTS		
-81	NAS697A06	NUTPLATE -----	5	G
	AN515-6R8	SCREW -----	5	G
		---*---		
-82	0711090-1	PLATE-ASH RECEIVER REINFORCEMENT LH -----	1	
	0711090-2	PLATE-ASH RECEIVER REINFORCEMENT RH -----	1	
	0711129-5	STIFFENER-SEAT BACK CATCH -----	2	W
-83	0711129-1	BRACKET -----	2	W
-83A	1210032-1	VIBRATION DAMPENER LH -----	1	N
	1210032-2	VIBRATION DAMPENER RH -----	1	N
-84	0711131-3	RETAINER ASSEMBLY-UPHOLSTERY LH -----	1	
	0711131-4	RETAINER ASSEMBLY-UPHOLSTERY RH -----	1	
-85	0710104-1	BRACKET ASSEMBLY-LIGHT CONSOLE -----	1	C
	0511484-1	BRACKET ASSEMBLY-LIGHT CONSOLE -----	1	D
	NAS395-6-3	NUT -----	3	C
-86	0511483-1	BRACKET ASSEMBLY-LIGHT CONSOLE -----	1	D
-87	0511296-1	ANGLE-LH-SPEAKER -----	1	C
	0511296-2	ANGLE-RH-SPEAKER -----	1	C
	0511485-1	BRACKET-SPEAKER -----	2	P
<p style="margin: 0;">A---SERIAL 185-0001 THRU 185-1565 SERIAL 18051313 THRU 18052084</p> <p style="margin: 0;">B---SERIAL 185-1566 & ON SERIAL 18052085 & ON</p> <p style="margin: 0;">C---SERIAL 185-0001 THRU 185-0512</p> <p style="margin: 0;">D---SERIAL 185-0513 & ON SERIAL 18051313 & ON</p> <p style="margin: 0;">E---SERIAL 185-0001 THRU 185-0653</p> <p style="margin: 0;">F---SERIAL 185-0001 THRU 185-0420</p> <p style="margin: 0;">G---SERIAL 185-0001 THRU 185-0540</p> <p style="margin: 0;">H---SERIAL 18051313 THRU 18051445</p> <p style="margin: 0;">J---SERIAL 185-0654 THRU 185-0776</p> <p style="margin: 0;">K---SERIAL 185-0001 THRU 18051934 SERIAL 18051313 THRU 18052221</p> <p style="margin: 0;">L---SERIAL 18501935 & ON SERIAL 18052222 & ON</p> <p style="margin: 0;">M---SERIAL 18051313 & ON</p> <p style="margin: 0;">N---SERIAL 18051446 & ON SERIAL 185-0777 & ON</p> <p style="margin: 0;">P---SERIAL 185-0513 THRU 185-0776 SERIAL 18051313 THRU 18051445</p> <p style="margin: 0;">Q---SERIAL 185-0001 THRU 185-0967 SERIAL 18051313 THRU 18051607</p>				
CONTINUED ON NEXT PAGE				

FIGURE AND INDEX NO.	PART NUMBER	DESCRIPTION							UNITS PER ASSY	USABLE ON CODE
		1	2	3	4	5	6	7		
24 -		R---	SERIAL	185-0968	THRU	18501832				
			SERIAL	18051608	THRU	18052175				
		S---	SERIAL	185-0777	THRU	185-0967				
		T---	SERIAL	185-0968	THRU	185-1300				
		U---	SERIAL	18051446	THRU	18051607				
		V---	SERIAL	18051608	THRU	18051875				
		W---	SERIAL	185-0001	THRU	185-1149				
			SERIAL	18051313	THRU	18051774				
		X---	SERIAL	185-1301	THRU	185-1599				
		Y---	SERIAL	18051876	THRU	18052103				
		Z---	SERIAL	18502091	& ON					
			SERIAL	18052285	& ON					
		AA---	SERIAL	18052104	& ON					
		AB---	SERIAL	185-0001	THRU	18501667				
			SERIAL	18051313	THRU	18052134				
		AC---	SERIAL	18501668	& ON					
			SERIAL	18052135	& ON					
		AD---	SERIAL	18501600	THRU	18501832				
		AE---	SERIAL	18052104	THRU	18052175				
		AF---	SERIAL	18501833	& ON					
		AG---	SERIAL	18052176	& ON					
		AH---	SERIAL	185-0001	THRU	18501832				
			SERIAL	18051313	THRU	18052175				
		AJ---	SERIAL	18501833	& ON					
			SERIAL	18052176	& ON					



FIGURE AND INDEX NO.	PART NUMBER	DESCRIPTION	UNITS	USABLE
			PER ASSY	ON CODE
		1 2 3 4 5 6 7		
25 -	0791102-11	FRONT & CENTER SECTION ASSEMBLY-FUSELAGE -----	1	A
- 1	1210020-200	TOP ASSEMBLY-CABIN -----	1	
- 2	NAS444-14	NUT TIN A6162-8Z-3 -----	4	
- 3	0511000-63	RETAINER-WINDSHIELD SEE FIGURE 31 -----	1	
- 4	0511000-43	RIB-FUSELAGE FRONT & CENTER SECTION LH -----	1	
- 5	0511000-44	RIB-FUSELAGE FRONT & CENTER SECTION RH -----	1	
- 6	0511000-6	FRAME-DOOR UPPER OUTBOARD LH -----	1	
	0511000-7	FRAME-DOOR UPPER OUTBOARD RH -----	1	
- 7	0511000-22	FRAME-DOOR UPPER INBOARD LH -----	1	
	0511000-23	FRAME-DOOR UPPER INBOARD RH -----	1	
- 8	0511000-9	GUSSET PLATE-REAR UPPER DOOR JAMB RH -----	1	
	0511000-8	GUSSET PLATE-REAR UPPER DOOR JAMB LH -----	1	
	0511150	BRACKET -----	1	
	0511150-1	BRACKET -----	1	
- 9	0511116	SILL ASSEMBLY-DOOR LOWER LH -----	1	
-10	0511116-1	SILL ASSEMBLY-DOOR LOWER RH -----	1	
-11	0511000-36	SUPPORT-LOWER DOOR SILL LH -----	1	
	0511000-37	SUPPORT-LOWER DOOR SILL RH -----	1	
-12	0511290-3	BULKHEAD ASSEMBLY STA 44.00 -----	1	
-13	0411447	BRACKET-ELEVATOR PULLEY -----	1	
		ATTACHING PARTS		
-14	AN520-10R7	BOLT -----	1	
-15	MS21044N3	NUT -----	1	
		-----*		
CONTINUED ON NEXT PAGE				

Fuselage (Cont)



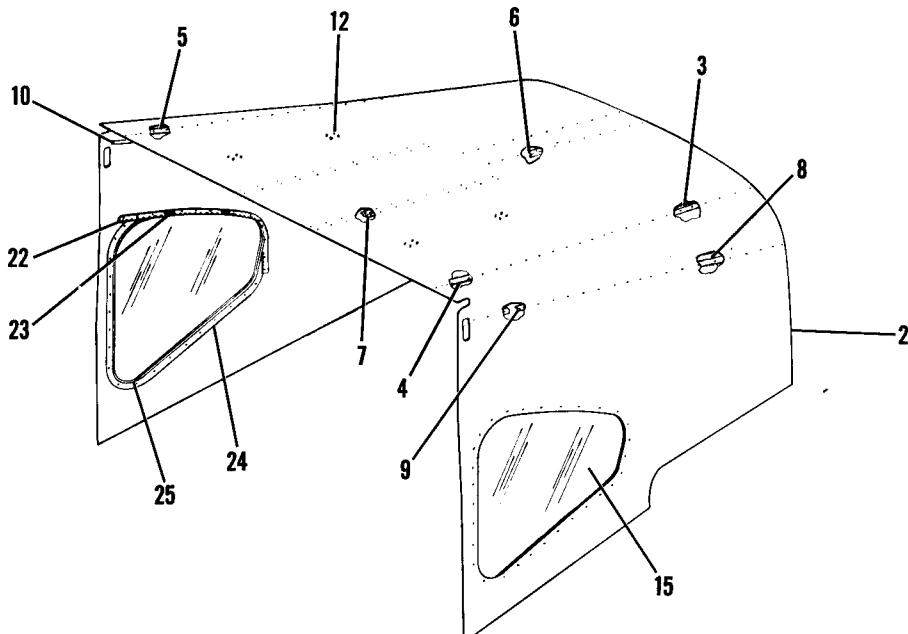
SERIAL 18051184 THRU 18051312

Figure 25. Fuselage Front & Center Section

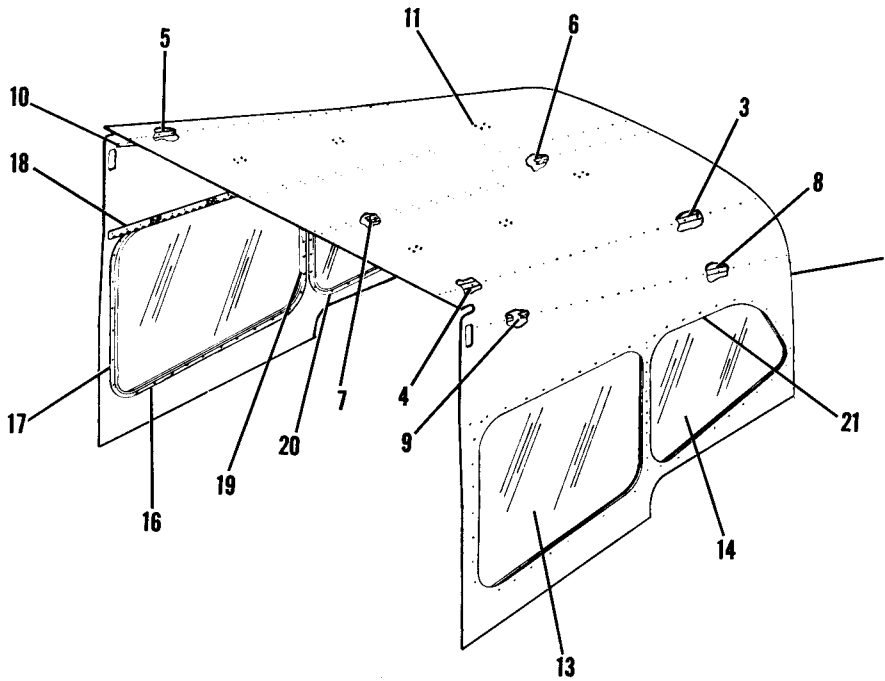
FIGURE AND INDEX NO.	PART NUMBER	DESCRIPTION	UNITS PER ASSY	USABLE ON CODE
		1 2 3 4 5 6 7		
25 -16	0711003	BRACKET ASSEMBLY-IDLER SPROCKET -----	1	
	NAS680A3	NUT -----	1	
-17	0791100-3	SKIN ASSEMBLY-FUSELAGE CENTER SECTION LOWER ----- STA 27.812 TO 65.33	1	
-18	0511000-11	STRINGER-FUSELAGE CENTER SECTION -----	4	
-19	0511000-35	STRINGER-FUSELAGE CENTER -----	1	
-20	0511000-38	STRINGER-FUSELAGE CENTER SECTION -----	1	
-21	S226-3	DOUBLER-INSPECTION OPENING -----	2	
	NAS395-14-3	NUT TIN 1274-8Z-3 -----	3	
-22	0510174	BRACKET-TAB PULLEY -----	1	
-23	0511000-60	RUB STRIP -----	2	
	S349	GROMMET-DRAIN -----	2	
-24	0716101	BRACKET-FUEL SELECTOR VALVE -----	1	
-25	0791102-4	BULKHEAD ASSEMBLY-FUSELAGE STA 65.33 SEE FIGURE 32 --	1	
-26	0413181-2	CLIP-UPHOLSTERY RETAINING -----	2	
-27	0791102-2	SKIN ASSEMBLY-FUSELAGE LOWER STA 65.33 TO 90.00 -----	1	
-28	0512000-20	STRINGER-FUSELAGE LOWER -----	3	
-29	0710025-2	STRINGER-FUSELAGE LH ONLY -----	1	
-30	0791102-3	SKIN ASSEMBLY-REAR CABIN TOP STA 65.33 TO 108.00 ----- SEE FIGURE 26	1	
-31	0511232-4	STRAP-SHOULDER HARNESS REINFORCEMENT -----	2	
-32	0710020-14	SKIN-FUSELAGE LOWER STA 90.00 TO 108.00 -----	1	
-33	0710025-1	STIFFENER-SKIN LOWER -----	2	
-34	0791102-6	BULKHEAD ASSEMBLY-FUSELAGE STA 90.00 -----	1	
-35	0512113-7	ANGLE-REINFORCEMENT -----	1	
-36	0511176	CLIP-UPHOLSTERY RETAINING -----	4	
-37	NAS697A3	NUT-ANCHOR -----	1	
	NAS697A4	NUT-ANCHOR -----	1	
	NAS395-5-3	NUT -----	4	
-38	0711101-32	JAMB ASSEMBLY-BAGGAGE DOOR UPPER -----	1	
	NAS680A08	NUTPLATE -----	1	
	MS20366F1032	NUTPLATE -----	2	
-39	0711101-10	BRACKET-BAGGAGE DOOR LOWER HINGE -----	1	
-40	0711101-11	BRACKET-BAGGAGE DOOR UPPER HINGE -----	1	
-41	0711101-4	JAMB-BAGGAGE DOOR FORWARD -----	1	
-42	0711101-8	JAMB-BAGGAGE DOOR LOWER -----	1	
-43	0711101-6	JAMB-BAGGAGE DOOR AFT -----	1	
-44	0711101-15	GUSSET-BAGGAGE DOOR AFT UPPER -----	1	
-45	0711101-16	GUSSET-BAGGAGE DOOR AFT LOWER WEU 0711101-43 -----	1	
-46	0711101-7	REINFORCEMENT-BAGGAGE DOOR LATCH -----	1	
-47	0711131-3	RETAINER ASSEMBLY-HEADLINER LH -----	1	
	0711131-4	RETAINER ASSEMBLY-HEADLINER RH -----	1	
-48	0791302-8	STRUCTURE ASSEMBLY-FUSELAGE FRONT SECTION SEE ----- FIGURE 29	1	
-49		DELETED, NOT AVAILABLE -----		
	0711101-17	CLIP -----	2	
-50		DELETED, NOT AVAILABLE -----		
-51	0511145	SUPPORT-BAGGAGE SHELF -----	1	
-52	0511146	RETAINER -----	1	
-53	0511484-1	BRACKET ASSEMBLY-LIGHT CONSOLE -----	1	
-54	0511485-1	ANGLE-SPEAKER -----	2	
-55	0511483-1	BRACKET ASSEMBLY-LIGHT CONSOLE -----	1	

A---SERIAL 18051184 THRU 18051312

Fuselage (Cont)



MODEL 180 SERIAL 18051184 THRU 18051312



MODEL 185 SERIAL 185-0001 & ON
MODEL 180 SERIAL 18051313 & ON

Figure 26. Rear Cabin Top Skin Assembly

FIGURE AND INDEX NO.	PART NUMBER	DESCRIPTION	UNITS PER ASSY	USABLE ON CODE
		1 2 3 4 5 6 7		
26 -	0791101-7	SKIN ASSEMBLY-REAR CABIN TOP STA 65.33 TO 108.00 -----	1	B
	0791101-15	SKIN ASSEMBLY-REAR CABIN TOP STA 65.33 TO 108.00 -----	1	D
	0791101-16	SKIN ASSEMBLY-REAR CABIN TOP STA 65.33 TO 108.00 -----	1	E
		WITH TINTED WINDOWS		
	0791102-18	SKIN ASSEMBLY-REAR CABIN TOP STA 65.33 TO 108.00 -----	1	G
		WITH TINTED WINDOWS		
- 1	0791101-12	SKIN ASSEMBLY-REAR CABIN TOP LESS WINDOWS -----	1	A
	0791101-17	SKIN ASSEMBLY-REAR CABIN TOP LESS WINDOWS -----	1	G
- 2	0791102-3	SKIN ASSEMBLY-REAR CABIN TOP LESS WINDOWS -----	1	B
- 3	0711114-1	STRINGER-LH -----	1	
	0711114-2	STRINGER-RH -----	1	
- 4	0711113-1	STRINGER-LH -----	1	
- 5	0711113-2	STRINGER-RH -----	1	
- 6	0711115-1	STRINGER-LH -----	1	
	0711115-2	STRINGER-RH -----	1	
- 7	0711118-1	STIFFENER ASSEMBLY -----	2	
	0411680	HANGER -----	2	
- 8	0710024-1	STRINGER-LH -----	1	F
	0710024-3	STRINGER-LH -----	1	G
	0710024-2	STRINGER-RH -----	1	F
	0710024-1	STRINGER-RH -----	1	G
- 9	0710023-1	ANGLE-LH -----	1	
-10	0710023-2	ANGLE-RH -----	1	
-11	0512000-66	BRACKET ASSEMBLY -----	6	A
	0411680	HANGER -----	1	
-12	0512000-66	BRACKET ASSEMBLY -----	4	B
	0411680	HANGER -----	1	
-13	0700112-1	WINDOW-SIDE CLEAR -----	2	A
	0700112-2	WINDOW-SIDE TINTED -----	2	C
-14	0700111-1	WINDOW-AFT CLEAR -----	2	A
	0700111-2	WINDOW-AFT TINTED -----	2	C
-15	0710108-3	WINDOW-REAR -----	2	B
-16	0710026-1	RETAINER-SIDE WINDOW LOWER RH -----	1	A
	0710026-2	RETAINER-SIDE WINDOW LOWER LH -----	1	A
-17	0710113-6	RETAINER-SIDE WINDOW UPHOLSTERY RH -----	1	A
	0710113-5	RETAINER-SIDE WINDOW UPHOLSTERY LH -----	1	A
-18	0710026-4	RETAINER-SIDE WINDOW UPPER RH -----	1	A
	0710026-3	RETAINER-SIDE WINDOW UPPER LH -----	1	A
	0710113-4	RETAINER-SIDE WINDOW UPHOLSTERY UPPER RH -----	1	A
	0710113-3	RETAINER-SIDE WINDOW UPHOLSTERY UPPER LH -----	1	A
-19	0710026-6	RETAINER-SIDE WINDOW AFT RH -----	1	A
	0710026-5	RETAINER-SIDE WINDOW AFT LH -----	1	A
-20	0710110-2	RETAINER-REAR WINDOW LOWER RH -----	1	A
	0710110-1	RETAINER-REAR WINDOW LOWER LH -----	1	A
	0710112-2	RETAINER-REAR WINDOW UPHOLSTERY LOWER RH -----	1	A
	0710112-1	RETAINER-REAR WINDOW UPHOLSTERY LOWER LH -----	1	A
-21	0710111-1	RETAINER-REAR WINDOW UPPER LH -----	1	A
	0710111-2	RETAINER-REAR WINDOW UPPER RH -----	1	A
-22	0710105-4	RETAINER-UPHOLSTERY RH -----	1	B
	0710105-3	RETAINER-UPHOLSTERY LH -----	1	B
-23	0511133	BRACKET -----	4	B
-24	0710106-4	FAIRING-WINDOW LOWER RH -----	1	B
	0710106-3	FAIRING-WINDOW LOWER LH -----	1	B
-25	0710107-4	RETAINER-WINDOW RH -----	1	B
	0710107-3	RETAINER-WINDOW LH -----	1	B

A---SERIAL 185-0001 & ON
SERIAL 18051313 & ON

B---SERIAL 18051184 THRU 18051312

C---SERIAL 185-1150 & ON
SERIAL 18051775 & ON

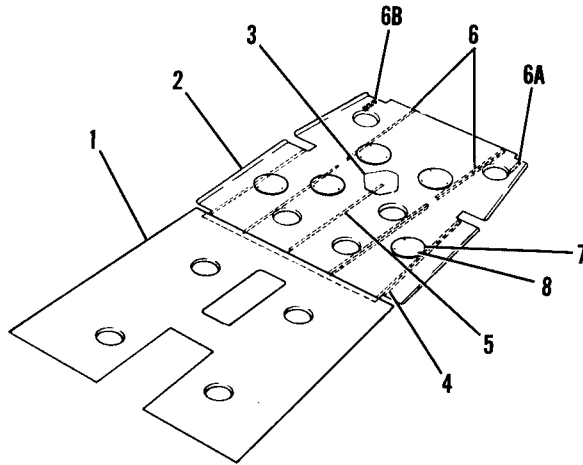
D---SERIAL 185-0001 THRU 18501832
SERIAL 18051313 THRU 18052175

E---SERIAL 185-1150 THRU 18501832
SERIAL 18051775 THRU 18052175

F---SERIAL 185-0001 THRU 18501832
SERIAL 18051184 THRU 18052175

G---SERIAL 18501833 & ON
SERIAL 18052176 & ON

Fuselage (Cont)



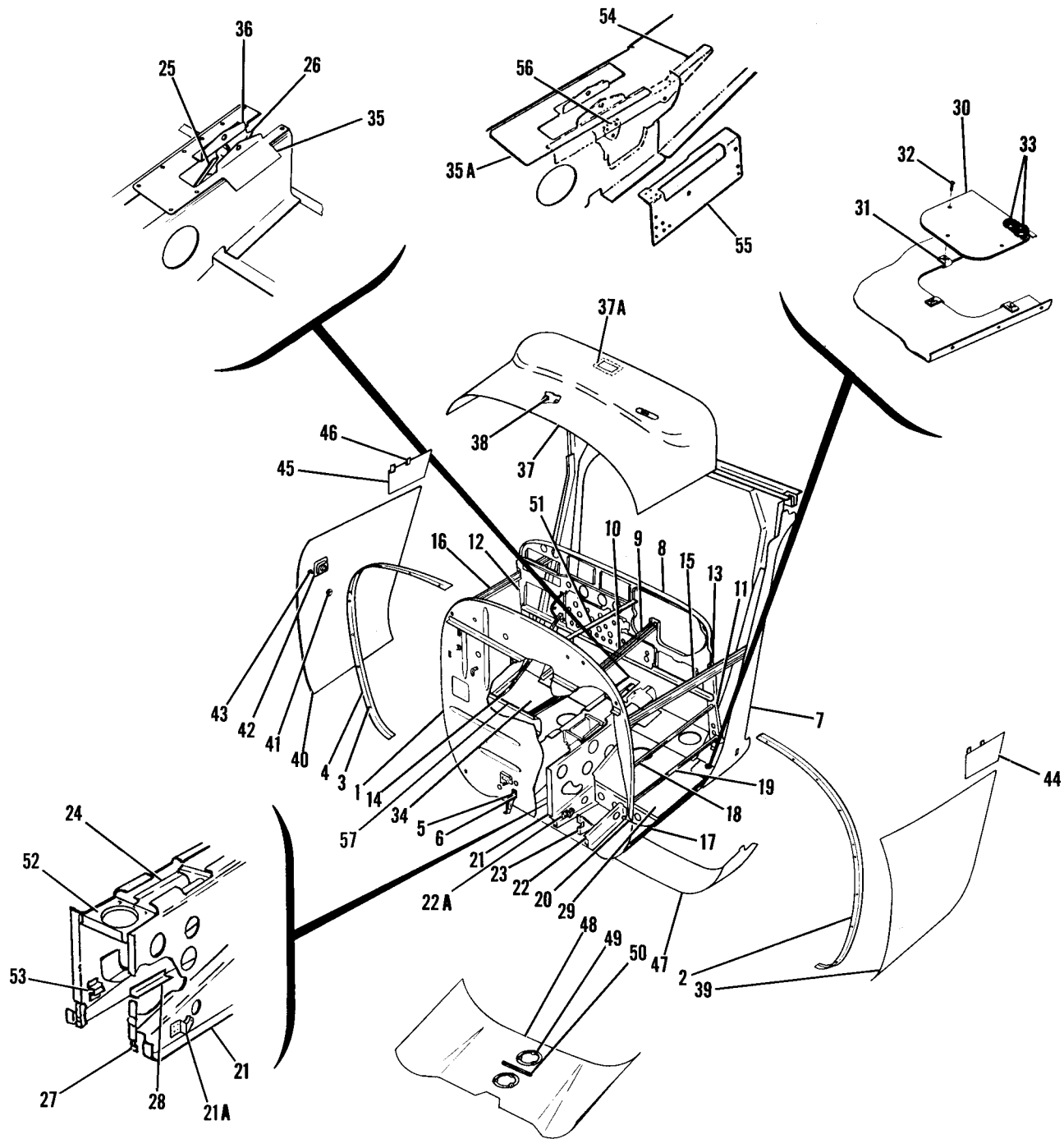
SERIAL 185-0001 & ON
SERIAL 18051313 & ON

Figure 27. Fuselage Center Section Floorboards Installation

FIGURE AND INDEX NO.	PART NUMBER	DESCRIPTION	UNITS PER ASSY	USABLE ON CODE
27 -		1 2 3 4 5 6 7 FLOORBOARD INSTALLATION-FUSELAGE CENTER SECTION -----	NP	A
- 1	0511000-41	FLOORBOARD-CENTER SECTION FRONT -----	1	
	0512107-39	FLOORBOARD ASSEMBLY-CENTER SECTION AFT -----	1	C
	0512107-43	FLOORBOARD ASSEMBLY-CENTER SECTION AFT -----	1	D
- 2	0512107-40	FLOORBOARD-SHEET -----	1	C
	0512107-44	FLOORBOARD-SHEET -----	1	D
- 3	0512107-41	PLATE-COVER -----	1	C
	0512107-45	PLATE-REINFORCEMENT -----	1	D
- 4	0512107-12	STIFFENER -----	4	
- 5	0512107-28	STIFFENER -----	1	
- 6	0512107-30	STIFFENER -----	2	
- 6A	0713942-1	SUPPORT ASSEMBLY-CHILDS SEAT LH -----	1	B
- 6B	0713942-2	SUPPORT ASSEMBLY-CHILDS SEAT RH -----	1	B
	AN515-8R8	ATTACHING PARTS SCREW -----	2	B
	NAS697A08	NUTPLATE -----	2	
- 7	S225-1	PLATE-INSPECTION OPENING COVER -----	5	
	49330	ATTACHING PARTS STUD-TRIMOUNT UC -----	3	
		-----*		
		A---SERIAL 185-0001 & ON SERIAL 18051313 & ON		
		B---SERIAL 18501600 & ON SERIAL 18052104 & ON		
		C---SERIAL 185-0001 THRU 18501832 SERIAL 18051313 THRU 18052175		
		D---SERIAL 18501833 & ON SERIAL 18052176 & ON		

This page intentionally left blank.

Fuselage (Cont)



SERIAL 185-0001 & ON
SERIAL 18051313 & ON

Figure 28. Fuselage Front Section Structure Assembly



FIGURE AND INDEX NO.	PART NUMBER	DESCRIPTION	UNITS PER ASSY	USABLE ON CODE
28 -	0791303-1	STRUCTURE ASSEMBLY-FUSELAGE FRONT SECTION -----	1	C
	0791303-4	STRUCTURE ASSEMBLY-FUSELAGE FRONT SECTION -----	1	D
	0791303-5	STRUCTURE ASSEMBLY-FUSELAGE FRONT SECTION -----	1	H
	0791303-7	STRUCTURE ASSEMBLY-FUSELAGE FRONT SECTION -----	1	W
	0791309-9	STRUCTURE ASSEMBLY-FUSELAGE FRONT SECTION -----	1	AA
		STRUCTURE ASSEMBLY-FUSELAGE FRONT SECTION -----	NP	AD
	0791303-3	STRUCTURE ASSEMBLY-FUSELAGE FRONT SECTION -----	1	J
	0791303-6	STRUCTURE ASSEMBLY-FUSELAGE FRONT SECTION -----	1	K
	0791303-8	STRUCTURE ASSEMBLY-FUSELAGE FRONT SECTION -----	1	X
	0791309-10	STRUCTURE ASSEMBLY-FUSELAGE FRONT SECTION -----	1	AB
		STRUCTURE ASSEMBLY-FUSELAGE FRONT SECTION -----	NP	AE
- 1		FIREWALL ASSEMBLY SEE FIGURE 33 -----	1	
- 2	0753009-1	STRIP-COWLING ATTACHMENT LH -----	1	
- 3	0753009-2	STRIP-COWLING ATTACHMENT RH -----	1	
- 4	4002-244-16	RECEPTACLE CLC -----	18	
- 5	0752033-1	BRACKET ASSEMBLY-LH -----	1	
	0752033-2	BRACKET ASSEMBLY-RH -----	1	
- 6	0713121-1	SPACER -----	2	
- 7	0513006-142	BULKHEAD ASSEMBLY-LANDING GEAR SEE FIGURE 30 -----	1	
- 8	0713185-1	PANEL ASSEMBLY-STATIONARY INSTRUMENT SEE FIGURES 67 & 68- -----	1	M
	0713755-1	PANEL ASSEMBLY-STATIONARY INSTRUMENT SEE FIGURE 68A -----	1	Y
	0700193-2	PANEL ASSEMBLY-STATIONARY INSTRUMENT SEE FIGURE 68B -----	1	Z
	0700193-16	PANEL ASSEMBLY-STATIONARY INSTRUMENT SEE FIGURE 68B -----	1	AC
	0713965-2	PANEL ASSEMBLY-STATIONARY INSTRUMENT SEE FIGURE 68C -----	1	AF
- 9	0713506-1	BRACE-INSTRUMENT PANEL -----	1	M
-10	0713506-2	BRACE-INSTRUMENT PANEL -----	1	M
	0713236-1	BRACE-INSTRUMENT PANEL LH -----	1	AG
	0713321-1	BRACE-INSTRUMENT PANEL LH -----	1	AH
	0713236-2	BRACE-INSTRUMENT PANEL RH -----	1	N
-11	0713105-1	BULKHEAD-INSTRUMENT PANEL SUPPORT LH -----	1	
-12	0713105-2	BULKHEAD-INSTRUMENT PANEL SUPPORT RH -----	1	
-13	0713145-1	BRACE-INSTRUMENT PANEL LH -----	1	
	0713145-2	BRACE-INSTRUMENT PANEL RH -----	1	
-14	0713161-1	BRACE-INSTRUMENT PANEL -----	1	M
-15	0713143-1	STRINGER ASSEMBLY-ENGINE MOUNT UPPER LH -----	1	
-16	0713143-2	STRINGER ASSEMBLY-ENGINE MOUNT UPPER RH -----	1	
-17	0713142-1	STRINGER ASSEMBLY-ENGINE MOUNT LOWER -----	2	
-18	0713767-2	ANGLE-UPPER -----	2	
-19	0713767-1	ANGLE-LOWER -----	2	
-20	0713144-1	BULKHEAD-FUSELAGE LOWER LH -----	1	
	0713144-2	BULKHEAD-FUSELAGE LOWER RH -----	1	
-21	0510113-21	BULKHEAD-FRONT SECTION TUNNEL LH -----	1	C
	0510113-23	BULKHEAD ASSEMBLY-FRONT SECTION TUNNEL LH -----	1	L
	0510113-25	BULKHEAD ASSEMBLY-FRONT SECTION TUNNEL LH -----	1	U
-21A	0713624-2	ANCHOR-BRAKE CYLINDER -----	1	G
	0510113-19	BULKHEAD-FRONT SECTION TUNNEL RH -----	1	V
	0510113-26	BULKHEAD ASSEMBLY-FRONT SECTION TUNNEL RH -----	1	U
-22	0713008-1	BULKHEAD-RUDDER PEDAL OUTBOARD LH WHEN EXHAUSTED -----	1	P
		USE 0713241-1 -----		
-22A	0713241-1	BULKHEAD ASSEMBLY-RUDDER PEDAL OUTBOARD LH -----	1	R
	0713624-2	ANCHOR-BRAKE CYLINDER -----	1	R
	0713008-2	BULKHEAD-RUDDER PEDAL OUTBOARD RH WHEN EXHAUSTED -----	1	P
		USE 0713008-4 -----		
	0713008-4	BULKHEAD-RUDDER PEDAL OUTBOARD RH -----	1	R
-23	0713070-20	BRACKET-PARKING BRAKE -----	1	
-24	0510135	SUPPORT ASSEMBLY-CONTROL TEE -----	1	
-25	0713115-3	BRACKET-FORWARD -----	1	
-26	0713116-3	BRACKET-AFT -----	1	
-27	0713053-5	ANGLE-TUNNEL REINFORCEMENT LH -----	1	
	0713053-6	ANGLE-TUNNEL REINFORCEMENT RH -----	1	
-28	0513038-5	ANGLE-TUNNEL REINFORCEMENT -----	2	
-29	0713002-10	FLOORBOARD ASSEMBLY-FUSELAGE FRONT SECTION LH -----	1	
-30	0713002-8	COVER -----	1	
		ATTACHING PARTS -----		
-31	NAS395-6-3	NUT -----	3	
-32	S102126-4	SCREW -----	3	
		-----*		
-33	MS35489-14	GROMMET -----	2	
-34	0713002-12	FLOORBOARD-FUSELAGE FRONT SECTION RH -----	1	

CONTINUED ON NEXT PAGE

FIGURE AND INDEX NO.	PART NUMBER	DESCRIPTION	UNITS PER ASSY							USABLE ON CODE
			1	2	3	4	5	6	7	
28 -35	0713015-8	COVER ASSEMBLY-TUNNEL AFT -----							1	E
-35A	0713015-10	COVER ASSEMBLY-TUNNEL AFT -----							1	F
	0713825-1	COVER ASSEMBLY-TUNNEL AFT -----							1	S
		STABILIZER TRIM WHEEL INSTALLATION SEE FIGURE 100A -----							1	T
-36		BRACKET & LOCK ASSEMBLY-TRIM WHEEL SEE FIGURES 100&100A -----							1	
-37	0713151-5	SKIN-DECK -----							1	M
	0713766-3	SKIN-DECK -----							1	N
-37A	0713766-10	DOUBLER -----							1	N
-38	0513112-1	SUPPORT ASSEMBLY -----							1	M
-39	0713766-7	SKIN-FORWARD FUSELAGE LH -----							1	
-40	0713766-8	SKIN-FORWARD FUSELAGE RH -----							1	
-41	S347-1	FLANGE-PITOT STATIC LINE -----							2	A
	S1141-1	WASHER-PITOT STATIC LINE -----							2	A
	S1776-3	BUTTON-PITOT STATIC LINE -----							2	Q
	S1776-1	BUTTON-PITOT STATIC LINE -----							2	AF
-42	0713135-2	DOOR ASSEMBLY-COLD AIR INLET -----							1	
	0713139-1	INLET ASSEMBLY-COLD AIR INLET -----							1	
	0713140-1	SEAL-COLD AIR INLET -----							1	
-43	0450286	CLIP -----							1	
-44	0713766-5	SKIN-RETAINER LH -----							1	
-45	0713766-6	SKIN-RETAINER RH -----							1	
-46	0713107-1	CLIP -----							4	
-47	0713100-25	SKIN-LANDING GEAR BULKHEAD LOWER -----							1	
	CR163-4-4	RIVET CY -----							2	
-48	0791303-2	SKIN ASSEMBLY-FUSELAGE FRONT SECTION LOWER -----							1	
-49	S226-3	DOUBLER -----							2	
	NAS395-14-3	NUT -----							6	
-50	0713168-1	STIFFENER -----							1	
-51	0713182-1	BRACE-INSTRUMENT PANEL STIFFENER -----							1	M
		ATTACHING PARTS.								
	S102126-8	SCREW -----							1	M
	NAS446-2-3	NUT -----							1	M
		-----*								
-52	0713052	BULKHEAD-TUNNEL -----							1	B
-53	0510128	BRACKET-RUDDER PEDAL SPRING RH -----							1	B
	0510128-1	BRACKET-RUDDER PEDAL SPRING LH -----							1	B
	0713119-1	CHANNEL-PARKING BRAKE STIFFENER -----							1	
-54	0713174-3	ANGLE-INNER -----							1	G
-55	0713198-2	ANGLE ASSEMBLY-OUTER -----							1	G
	NAS697A08	NUTPLATE -----							1	G
	NAS698A08	NUTPLATE -----							1	G
-56	0713199-1	SPACER -----							1	G
-57		HEATER DUCT ASSEMBLY SEE FIGURE 89 -----							1	

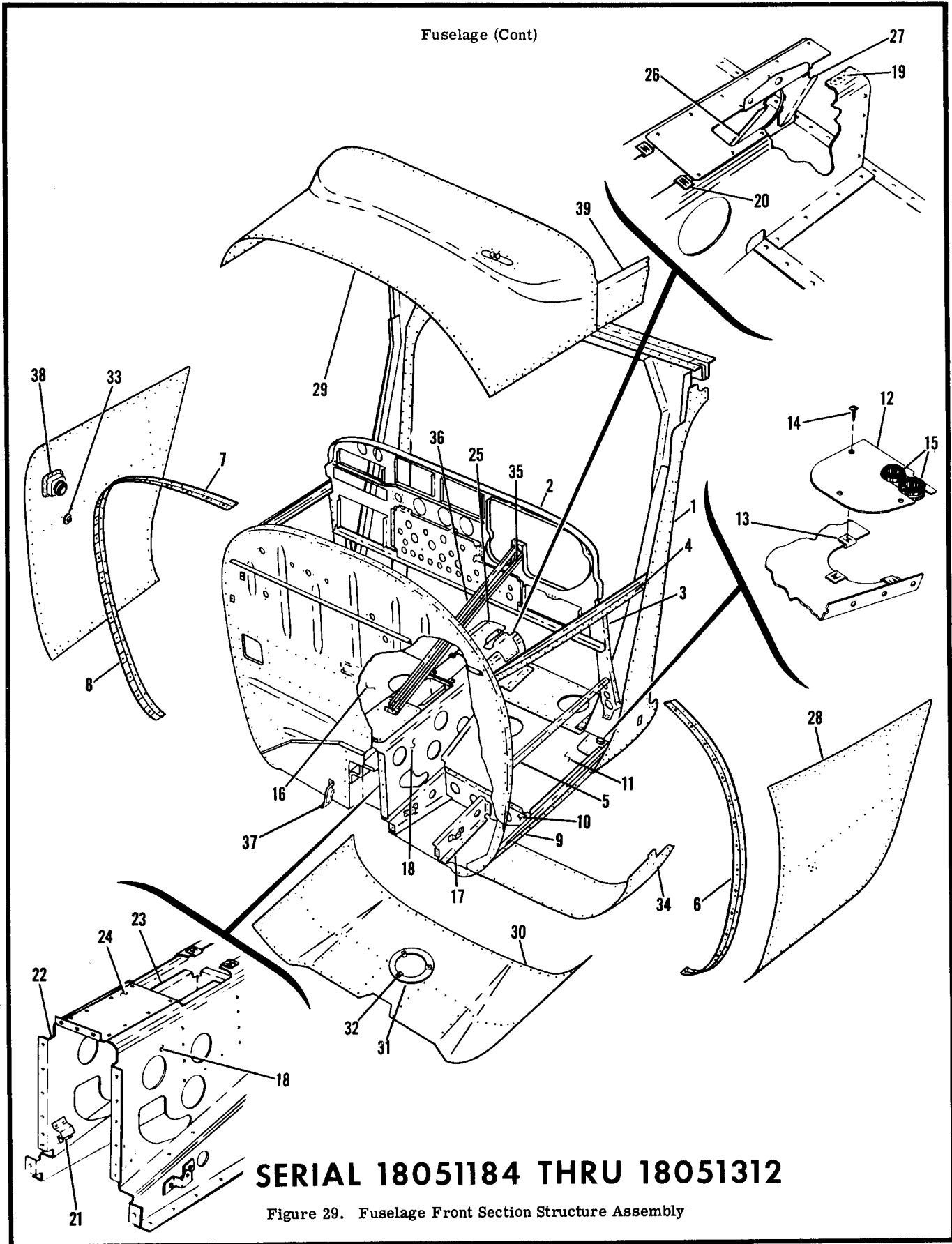
NOTE. *WHEN ORDERING THIS PART FOR AIRCRAFT PRIOR TO SERIAL 185-1239 & 18051845 ALSO ORDER S1776-3 BUTTON.

- A---SERIAL 185-0001 THRU 185-1238
SERIAL 18051313 THRU 18051844
- B---SERIAL 18051313 & ON
- C---SERIAL 185-0001 THRU 185-0653
- D---SERIAL 185-0654 THRU 185-0776
- E---SERIAL 185-0001 THRU 185-0576
- F---SERIAL 185-0577 THRU 185-0653
- G---SERIAL 185-0654 & ON
SERIAL 18051313 & ON
- H---SERIAL 185-0777 THRU 185-1300
- J---SERIAL 18051313 THRU 18051445
- K---SERIAL 18051446 THRU 18051875
- L---SERIAL 185-0654 THRU 185-1149
SERIAL 18051313 & ON
- M---SERIAL 185-0001 THRU 185-0776
SERIAL 18051313 THRU 18051445
- N---SERIAL 185-0777 & ON
SERIAL 18051446 & ON
- P---SERIAL 185-0001 THRU 185-0796
SERIAL 18051313 THRU 18051478
- Q---SERIAL 185-1239 THRU 18502090
SERIAL 18051845 THRU 18052284
- R---SERIAL 185-0797 & ON
SERIAL 18051479 & ON
- S---SERIAL 185-0654 THRU 185-0949
SERIAL 18051313 THRU 18051607

CONTINUED ON NEXT PAGE

FIGURE AND INDEX NO.	PART NUMBER	DESCRIPTION	UNITS PER ASSY	USABLE ON CODE
28 -		<p style="text-align: center;">1 2 3 4 5 6 7</p> T---SERIAL 185-0950 & ON SERIAL 18051608 & ON U---SERIAL 185-1150 & ON V---SERIAL 185-0001 THRU 185-1149 SERIAL 18051313 & ON W---SERIAL 18051876 THRU 18052103 X---SERIAL 185-1301 THRU 185-1599 Y---SERIAL 185-0777 THRU 185-1300 SERIAL 18051446 THRU 18051875 Z---SERIAL 185-1301 THRU 185-1599 SERIAL 18051876 THRU 18052103 AA---SERIAL 18052104 THRU 18052284 AB---SERIAL 18501600 THRU 18502007, 18502026, 18502027 AC---SERIAL 18501600 THRU 18502090 SERIAL 18052104 THRU 18052284 AD---SERIAL 18052285 & ON AE---SERIAL 18502008 THRU 18502025, 18502028 & ON AF---SERIAL 18502091 & ON SERIAL 18052285 & ON AG---SERIAL 185-0777 THRU 18502007 SERIAL 18051466 THRU 18052248 AH---SERIAL 18502008 & ON SERIAL 18052249 & ON		

Fuselage (Cont)



SERIAL 18051184 THRU 18051312

Figure 29. Fuselage Front Section Structure Assembly

FIGURE AND INDEX NO.	PART NUMBER	DESCRIPTION	UNITS PER ASSY	USABLE ON CODE
29 -	0791302-8	STRUCTURE ASSEMBLY-FUSELAGE FRONT SECTION -----	1	A
	0791302-7	FIREWALL ASSEMBLY SEE FIGURE 33 -----	1	
- 1	0791302-4	BULKHEAD ASSEMBLY-LANDING GEAR SEE FIGURE 30 -----	1	
- 2	0713185-1	PANEL ASSEMBLY-STATIONARY SEE FIGURE 67 -----	1	
- 3	0713105-1	BULKHEAD-INSTRUMENT PANEL SUPPORT LH -----	1	
	0713105-2	BULKHEAD-INSTRUMENT PANEL SUPPORT RH -----	1	
- 4	0713007-7	STRINGER ASSEMBLY-ENGINE MOUNT UPPER LH -----	1	
	0713007-8	STRINGER ASSEMBLY-ENGINE MOUNT UPPER RH -----	1	
- 5	0713100-9	ANGLE -----	2	
- 6	0753009-1	STRIP-COWLING ATTACHMENT LH -----	1	
- 7	0753009-2	STRIP-COWLING ATTACHMENT RH -----	1	
- 8	4002-244-16	RECEPTACLE-COWLING ATTACHMENT CLC -----	18	
- 9	0713006	STRINGER ASSEMBLY-ENGINE MOUNT LOWER -----	2	
-10	0713005-3	BULKHEAD-FUSELAGE LOWER LH STA 8.125 -----	1	
	0713005-4	BULKHEAD-FUSELAGE LOWER RH STA 8.125 -----	1	
	0713002-9	FLOORBOARD ASSEMBLY-FUSELAGE FRONT SECTION LH -----	1	
-11	0713002-1	FLOORBOARD -----	1	
-12	0713002-8	COVER -----	1	
		ATTACHING PARTS		
-13	NAS395-6-3	NUT -----	3	
-14	S102176-4	SCREW -----	3	
		*---		
-15	MS35489-14	GROMMET -----	2	
-16	0713002-2	FLOORBOARD-FUSELAGE FRONT SECTION RH -----	1	
-17	0713008-1	BULKHEAD-RUDDER PEDAL OUTBOARD LH -----	1	
	0713008-2	BULKHEAD-RUDDER PEDAL OUTBOARD RH -----	1	
-18	0791300-5	BULKHEAD ASSEMBLY-FRONT SECTION TUNNEL -----	1	
-19	NAS444-2	NUTPLATE TIN A6195-6Z-3 -----	1	
-20	NAS395-12-3	NUT TIN A1786-8Z-3 -----	1	
-21	0510128	BRACKET-RUDDER PEDAL SPRING -----	1	
	0411342	PLATE-CONTROL -----	1	
-22	0791300-6	BULKHEAD ASSEMBLY-FRONT SECTION TUNNEL RH -----	1	
	NAS395-12-3	NUT TIN A1786-8Z-3 -----	2	
	0510128	BRACKET-RUDDER PEDAL SPING -----	1	
	0411342	PLATE-CONTROL -----	1	
-23	0510135	SUPPORT ASSEMBLY-CONTROL TEE -----	1	
-24	0510139	COVER PLATE-FUSELAGE TUNNEL FORWARD -----	1	
-25	0713015-6	PLATE ASSEMBLY-COVER SEE FIGURE 100 -----	1	
	0713023-7	BRACKET ASSEMBLY SEE FIGURE 100 -----	1	
-26	0713115-1	BRACKET-FORWARD -----	1	
-27	0713116-1	BRACKET-AFT -----	1	
-28	0713100-16	SKIN-FORWARD FUSELAGE LH -----	1	
	0713100-30	SKIN-FORWARD FUSELAGE RH -----	1	
-29	0713100-5	SKIN-DECK -----	1	
-30	0791302-3	SKIN ASSEMBLY-FUSELAGE FRONT SECTION LOWER -----	1	
-31	S226-3	DOUBLER-INSPECTION OPENING -----	1	
-32	NAS395-14-3	NUT TIN A1786-8Z-3 -----	3	
-33	S347-1	FLANGE-PITOT STATIC LINE -----	2	
	MS20822-4D	ELBOW -----	2	
-34	0713100-25	SKIN-LANDING GEAR BULKHEAD LOWER -----	1	
-35	0713506-1	BRACE-INSTRUMENT PANEL -----	1	
-36	0713506-2	BRACE-INSTRUMENT PANEL -----	1	
-37	0752033-1	BRACKET ASSEMBLY-LH -----	1	
	0752033-2	BRACKET ASSEMBLY-RH -----	1	
-38	0713135-2	DOOR ASSEMBLY-AIR VENT -----	1	
	0713139-1	INLET ASSEMBLY-AIR VENT -----	1	
	0713140-1	SEAL-AIR VENT INLET -----	1	
-39	0713100-3	SKIN-RETAINER LH -----	1	
	0713100-4	SKIN-RETAINER RH -----	1	
A---SERIAL 18051184 THRU 18051312				

Fuselage (Cont)

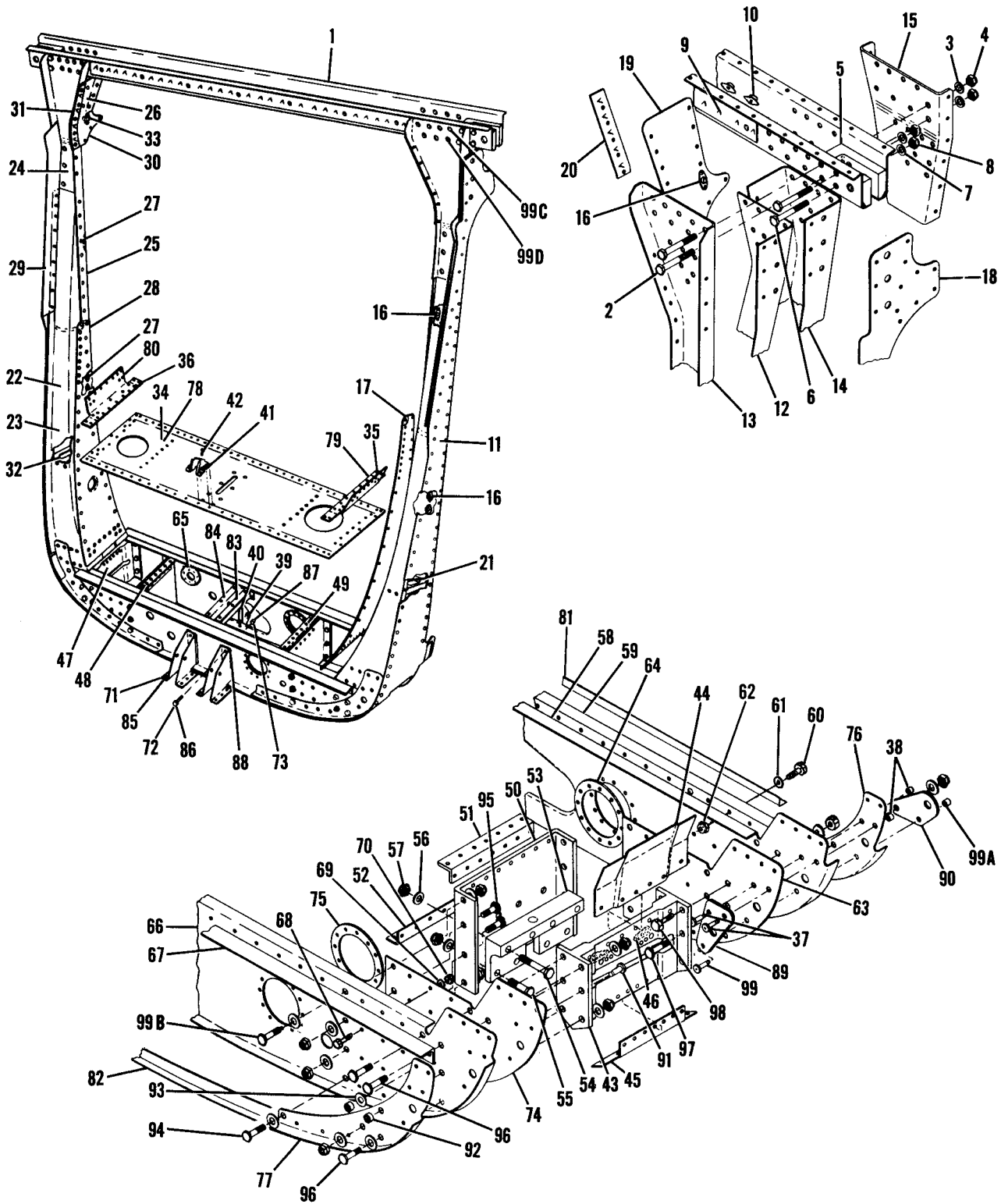


Figure 30. Landing Gear Bulkhead Assembly

FIGURE AND INDEX NO.	PART NUMBER	DESCRIPTION	UNITS PER ASSY	USABLE ON CODE
		1 2 3 4 5 6 7		
30 -	0513006-142	BULKHEAD ASSEMBLY-LANDING GEAR -----	1	A
	0791302-4	BULKHEAD ASSEMBLY-LANDING GEAR -----	1	B
- 1	0711066-1	SPAR ASSEMBLY-FUSELAGE CENTER SECTION FORWARD -----	1	A
	1213127-1	SPAR ASSEMBLY-FUSELAGE CENTER SECTION FORWARD -----	1	B
		ATTACHING PARTS -----		
- 2	AN3-21A	BOLT -----	4	
- 3	AN960-10	WASHER -----	8	
- 4	MS21044N3	NUT -----	4	
		-----*		
- 5	0411129	BLOCK-FUSELAGE SPAR BEARING -----	2	
		ATTACHING PARTS -----		
- 6	AN3-20A	BOLT -----	2	
- 7	AN960-10L	WASHER -----	2	
- 8	MS21044N3	NUT -----	2	
		-----*		
- 9	0412496	RETAINER -----	1	
-10	NAS686A3	NUTPLATE -----	4	
	S1863-3	NUTPLATE -----	3	A
-11	0513006-143	DOORPOST ASSEMBLY-FUSELAGE LH -----	1	A
	0791300-9	DOORPOST ASSEMBLY-FUSELAGE LH -----	1	B
	0513006-44	BULKHEAD ASSEMBLY-DOORPOST FORWARD LH -----	1	
-12	0513006-3	BULKHEAD-DOORPOST FORWARD LH -----	1	
-13	0513006-40	BRACKET-DOORPOST UPPER FORWARD LH -----	1	
	0513006-46	BULKHEAD ASSEMBLY-DOORPOST AFT LH -----	1	
-14	0513006-34	BULKHEAD-DOORPOST AFT LH -----	1	
-15	0513006-38	BRACKET-DOORPOST LH -----	1	
-16	NAS680A3	NUTPLATE -----	4	
-17	0513006-8	PLATE-DOOR SPLICE LH -----	1	
-18	0513006-101	SKIN-DOORPOST OUTER LH -----	1	
-19	0513006-42	REINFORCEMENT-DOORPOST INBOARD LH -----	1	
-20	0513006-25	RETAINER-HEADLINER LH -----	1	
-21	0713496-3	BRACKET-STIFFENER LH -----	1	
-22	0513006-144	DOORPOST ASSEMBLY-FUSELAGE RH -----	1	A
	0791300-10	DOORPOST ASSEMBLY-FUSELAGE RH -----	1	B
	0513006-45	BULKHEAD ASSEMBLY-DOORPOST FORWARD RH -----	1	
-23	0513006-21	BULKHEAD-DOORPOST FORWARD RH -----	1	
-24	0513006-41	BRACKET-DOORPOST UPPER FORWARD RH -----	1	
	0513006-47	BULKHEAD ASSEMBLY-DOORPOST AFT RH -----	1	
-25	0513006-35	BULKHEAD-DOORPOST AFT RH -----	1	
-26	0513006-39	BRACKET-DOORPOST UPPER AFT RH -----	1	
-27	NAS680A3	NUTPLATE -----	3	
-28	0513006-22	PLATE-DOORPOST SPLICE RH -----	1	
-29	0513006-102	SKIN-DOORPOST OUTER RH -----	1	
-30	0513006-43	REINFORCEMENT-DOORPOST UPPER INBOARD RH -----	1	
-31	0513006-26	RETAINER-HEADLINER RH -----	1	
-32	0713496-4	BRACKET-STIFFENER -----	1	
-33	NAS680A3	NUTPLATE -----	1	
-34	0513006-11	FLOORBOARD-LANDING GEAR SUPPORT -----	1	B
-35	0713495-53	ANGLE-LANDING GEAR BULKHEAD SPLICE LH -----	1	B
-36	0713495-54	ANGLE-LANDING GEAR BULKHEAD SPLICE RH -----	1	B
-37	NAS178-8-7	RIVET-HI-SHEAR -----	4	
-38	NAS179-8	COLLAR -----	4	
-39	0510163-1	BRACKET-FLAP RETURN FUSELAGE LOWER PULLEY -----	1	A
	0510163	BRACKET-FLAP RETURN FUSELAGE LOWER PULLEY -----	1	B
		ATTACHING PARTS -----		
	AN520-10R7	SCREW -----	1	
	MS21044N3	NUT -----	1	
		-----*		

CONTINUED ON NEXT PAGE

FIGURE AND INDEX NO.	PART NUMBER	DESCRIPTION							UNITS PER ASSY	USABLE ON CODE
		1	2	3	4	5	6	7		
30 -40	0513006-135	SPACER -----							1	
-41	0713497-3	BRACKET ASSEMBLY-FORWARD ELEVATOR STOP -----							1	A
-42	NAS428H3-6	BOLT -----							1	
	0513006-138	BULKHEAD ASSEMBLY-LANDING GEAR SUPPORT -----							1	A
	0513006-151	BULKHEAD ASSEMBLY-LANDING GEAR SUPPORT -----							1	B
	0713495-63	BRACKET ASSEMBLY-LANDING GEAR SUPPORT OUTBOARD LH -----							1	
-43	0713495-61	BRACKET-LANDING GEAR SUPPORT OUTBOARD LH -----							1	
-44	0713495-57	ANGLE-LANDING GEAR SUPPORT OUTBOARD LH -----							1	
-45	0713495-5	ANGLE-LANDING GEAR SUPPORT OUTBOARD -----							1	
-46	NAS682A4	NUTPLATE -----							2	
-47	0713495-64	BRACKET ASSEMBLY-LANDING GEAR SUPPORT OUTBOARD RH -----							1	
	0713495-62	BRACKET-LANDING GEAR SUPPORT OUTBOARD RH -----							1	
	0713495-58	ANGLE-LANDING GEAR SUPPORT UPPER OUTBOARD RH -----							1	
	0713495-5	ANGLE-LANDING GEAR SUPPORT LOWER OUTBOARD RH -----							1	
	NAS682A4	NUTPLATE -----							2	
-48	0713495-22	BRACKET ASSEMBLY-LANDING GEAR SUPPORT INBOARD RH -----							1	
-49	0713495-21	BRACKET ASSEMBLY-LANDING GEAR SUPPORT INBOARD LH -----							1	
-50	0713495-7	BRACKET-LANDING GEAR SUPPORT INBOARD LH -----							1	
	0713495-8	BRACKET-LANDING GEAR SUPPORT INBOARD RH -----							1	
-51	0713495-18	ANGLE-LANDING GEAR SUPPORT UPPER INBOARD -----							1	
-52	0742115-26	ANGLE-LANDING GEAR SUPPORT LOWER INBOARD LH -----							1	
	0742115-25	ANGLE-LANDING GEAR SUPPORT LOWER INBOARD RH -----							1	
-53	0713495-6	ANGLE-LANDING GEAR ATTACHMENT -----							1	
		ATTACHING PARTS								
-54	AN5-15A	BOLT -----							4	
-55	AN5-7A	BOLT -----							6	
-56	AN960-516L	WASHER -----							16	
-57	NAS679A5	NUT -----							10	
	0513006-139	BULKHEAD ASSEMBLY-LANDING GEAR SUPPORT AFT -----							1	A
	0513006-105	BULKHEAD ASSEMBLY-LANDING GEAR SUPPORT AFT -----							1	B
-58	0513006-103	BULKHEAD-LANDING GEAR SUPPORT AFT -----							1	
-59	0513006-141	ANGLE-AFT BULKHEAD REINFORCEMENT -----							1	A
	0513006-24	ANGLE-AFT BULKHEAD REINFORCEMENT -----							1	B
		ATTACHING PARTS								
-60	AN3-5A	BOLT -----							2	
-61	AN960-10	WASHER -----							2	
-62	MS21044N3	NUT -----							2	
		ATTACHING PARTS								
-63	0713495-13	PLATE-AFT BULKHEAD REINFORCEMENT LH -----							1	
	0713495-14	PLATE-AFT BULKHEAD REINFORCEMENT RH -----							1	
-64	0513006-61	DOUBLER -----							1	
-65	0513006-62	DOUBLER -----							1	
	0513006-140	BULKHEAD ASSEMBLY-LANDING GEAR SUPPORT FORWARD -----							1	A
	0513006-104	BULKHEAD ASSEMBLY-LANDING GEAR SUPPORT FORWARD -----							1	B
-66	0513006-9	BULKHEAD-LANDING GEAR SUPPORT FORWARD -----							1	
-67	0513006-23	ANGLE-FORWARD BULKHEAD REINFORCEMENT -----							1	
		ATTACHING PARTS								
-68	AN3-5A	BOLT -----							4	
-69	AN960-10	WASHER -----							4	
-70	MS21044N3	NUT -----							4	
		ATTACHING PARTS								
-71	0510110	BRACKET-CONTROL PULLEY -----							2	B
		ATTACHING PARTS								
-72	AN3-4A	BOLT -----							2	B
-73	MS21044N3	NUT -----							2	B
		ATTACHING PARTS								
-74	0713495-15	PLATE-FORWARD BULKHEAD REINFORCEMENT LH -----							1	
	0713495-16	PLATE-FORWARD BULKHEAD REINFORCEMENT RH -----							1	
-75	0513006-61	DOUBLER -----							1	
	0513006-62	DOUBLER -----							1	
-76	0713495-9	STIFFENER-BULKHEAD AFT LH -----							1	
	0713495-10	STIFFENER-BULKHEAD AFT RH -----							1	
-77	0713495-11	STIFFENER-BULKHEAD FORWARD LH -----							1	
	0713495-12	STIFFENER-BULKHEAD FORWARD RH -----							1	

CONTINUED ON NEXT PAGE

FIGURE AND INDEX NO.	PART NUMBER	DESCRIPTION	UNITS PER ASSY	USABLE ON CODE
		1 2 3 4 5 6 7		
30 -78	0513006-11	FLOORBOARD-LANDING GEAR SUPPORT -----	1	A
-79	0713495-53	ANGLE-LANDING GEAR BULKHEAD SPLICE LH -----	1	A
-80	0713495-54	ANGLE-LANDING GEAR BULKHEAD SPLICE RH -----	1	A
-81	0713152-1	DOUBLER-REAR -----	1	A
-82	0713153-1	DOUBLER-FRONT -----	1	A
-83	0510112	BRACKET-ELEVATOR BELLCRANK LH -----	1	
-84	0510112-1	BRACKET-ELEVATOR BELLCRANK RH -----	1	
-85	0510110	BRACKET-CONTROL PULLEY -----	2	A
		ATTACHING PARTS		
-86	AN3-4A	BOLT -----	2	A
-87	MS21044N3	NUT -----	2	A
		-----*		
-88	0513006-134	SPACER -----	2	A
-89	0713495-55	SPACER-WING STRUT FITTING FORWARD -----	2	
-90	0713495-17	PLATE-WING STRUT FITTING -----	2	
-91	NAS178-10-6	RIVET-HI-SHEAR -----	4	
-92	NAS179-10	COLLAR -----	4	
-93	AN960-516L	WASHER -----	2	
-94	AN5-6A	BOLT -----	4	
	AN960-516L	WASHER -----	4	
	NAS679A5	NUT -----	4	
-95	AN6-6A	BOLT -----	10	
	AN960-616L	WASHER -----	10	
	NAS679A6	NUT -----	10	
-96	AN5-7A	BOLT -----	8	
	AN960-516L	WASHER -----	8	
	NAS679A5	NUT -----	8	
-97	AN6-10A	BOLT -----	2	
	AN960-616L	WASHER -----	2	
	NAS679A6	NUT -----	2	
-98	AN6-7A	BOLT -----	8	
	AN960-616L	WASHER -----	8	
	NAS679A6	NUT -----	8	
-99	NAS178-8-7	RIVET-HI-SHEAR -----	2	
-99A	NAS179-8	COLLAR -----	2	
-99B	AN5-7A	BOLT -----	4	
	AN960-516L	WASHER -----	8	
	NAS679A5	NUT -----	4	
-99C	R3104T6-5	BOLT HKM -----	8	A
	NAS1080C6	COLLAR HKM -----	8	A
	AN960-10	WASHER -----	8	A
-99D	R3104T6-5	BOLT HKM -----	6	A
	NAS1080C6	COLLAR HKM -----	6	A
	0713172-1	SPACER -----	6	A
		A---SERIAL 185-0001 & ON SERIAL 18051313 & ON B---SERIAL 18051184 THRU 18051312		

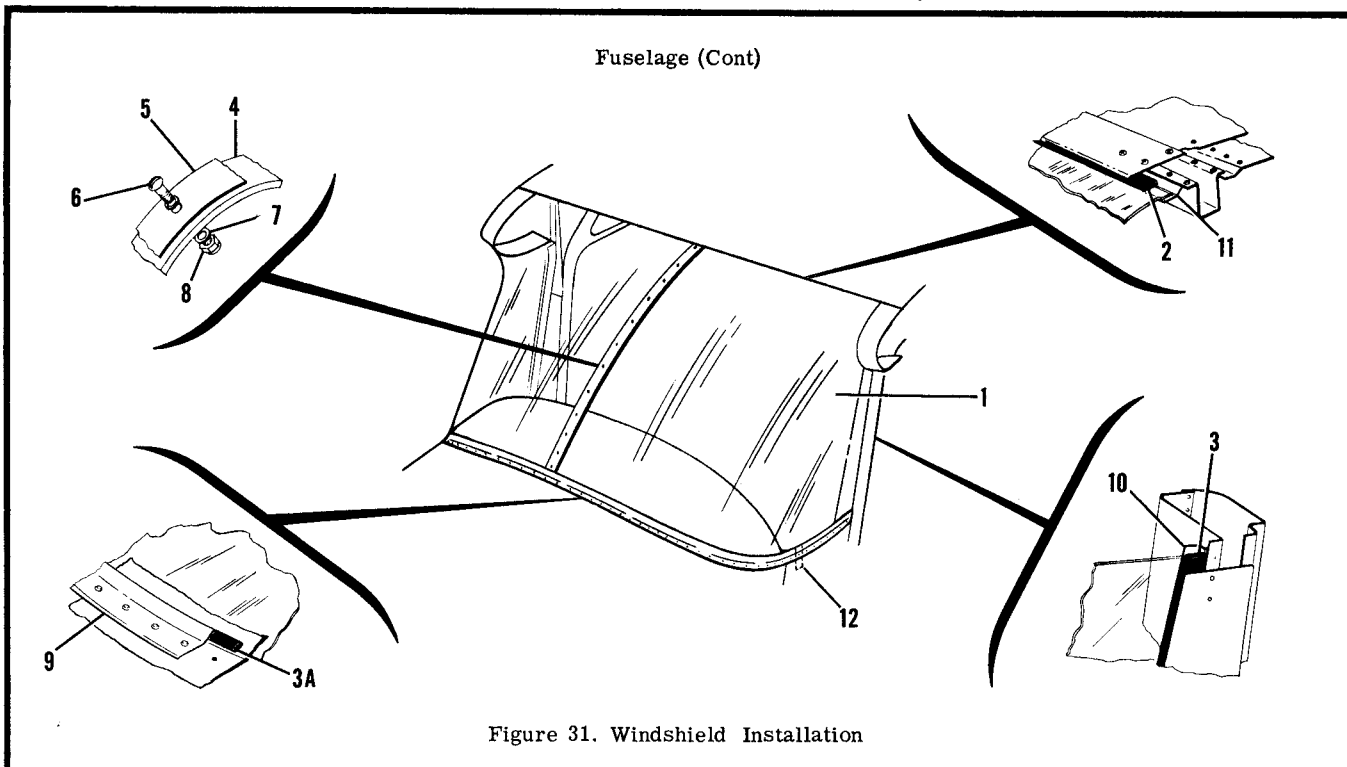
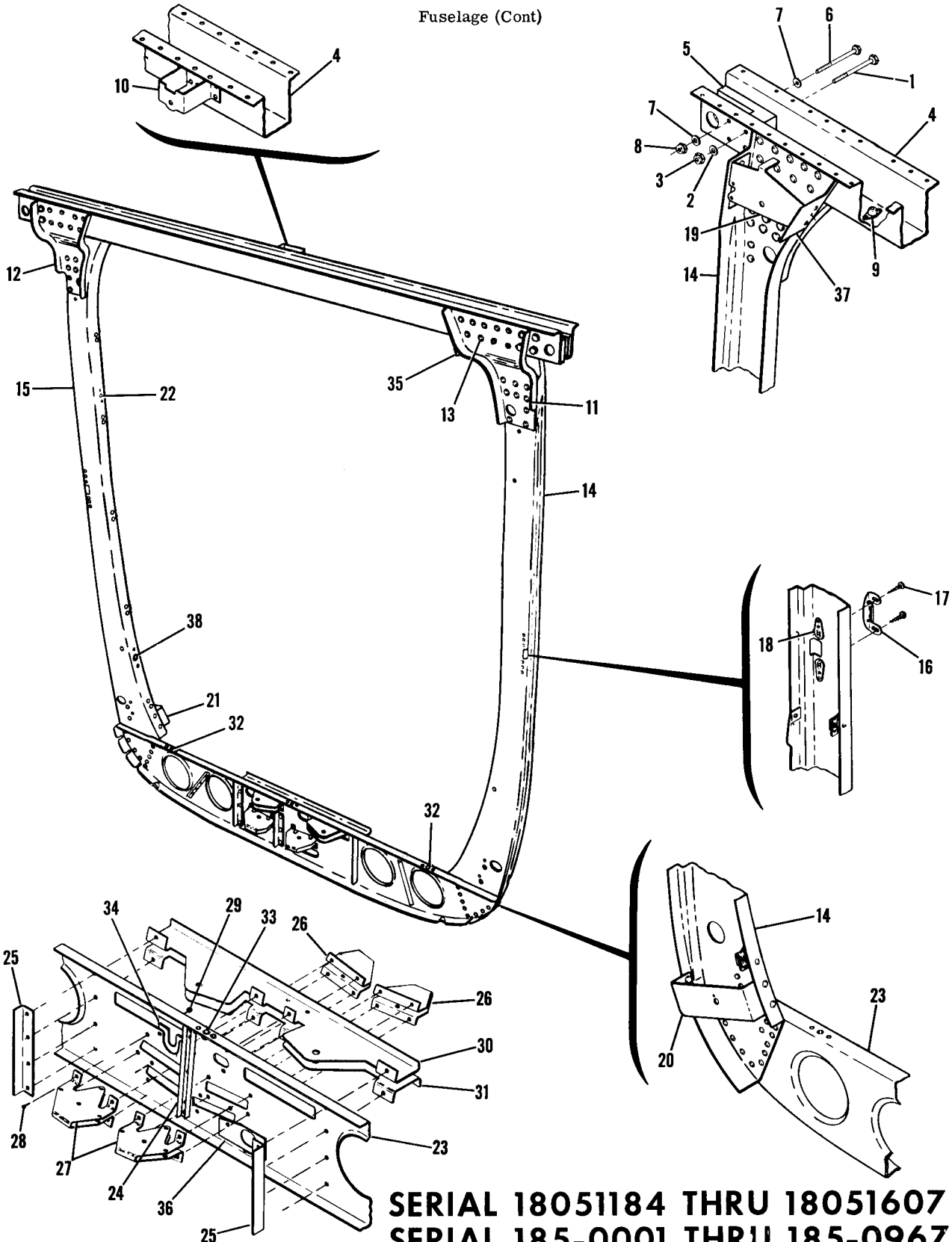


Figure 31. Windshield Installation

FIGURE AND INDEX NO.	PART NUMBER	DESCRIPTION	UNITS PER ASSY	USABLE ON CODE
		1 2 3 4 5 6 7		
31 -		WINDSHIELD INSTALLATION -----	NP	
- 1	0713100-10	WINDSHIELD -----	1	
	0713100-11	WINDSHIELD TINTED -----	1	
- 2	S1389-6	PAD-FELT 46.50 IN LG BKI REF S1389-6-46.50 -----	1	
- 3	S1389-2	PAD-FELT 20.00 IN LG BKI REF S1389-2-20.00 -----	2	
- 3A	S1389-5	PAD-FELT 80.00 IN LG BKI REF S1389-2-80.00 -----	1	
	S1078-3	SEALER-TAPE LOWER 78 IN LG BULK ITEM -----	AR	
- 4	0713100-15	STRIP-WINDSHIELD CENTER INNER -----	1	E
	0713332-1	STRIP ASSEMBLY-WINDSHIELD CENTER INNER -----	1	F
	0713331-1	BRACKET-COMPASS -----	1	F
- 5	0713118-200	STRIP-WINDSHIELD CENTER OUTER -----	1	
		ATTACHING PARTS -----		
- 6	AN520-10R14	SCREW -----	4	
- 7	S350	WASHER -----	12	
- 8	22NKM-02	NUT EN -----	4	
		-----*		
- 9	0713766-4	STRIP-WINDSHIELD RETAINING OUTER -----	1	A
	0713100-13	STRIP-WINDSHIELD RETAINING OUTER -----	1	B
-10	0713106-1	STRIP-WINDSHIELD RETAINING INSIDE LH WHEN -----	1	C
		EXHAUSTED USE 0713248-1 -----		
	0713248-1	RETAINER-WINDSHIELD INNER LH -----	1	D
	0713106-2	STRIP-WINDSHIELD RETAINING INSIDE RH WHEN -----	1	C
		EXHAUSTED USE 0713248-2 -----		
	0713248-2	RETAINER-WINDSHIELD INNER RH -----	1	D
-11	0511000-63	STRIP-WINDSHIELD RETAINING UPPER -----	1	
-12	0713107-1	CLIP-FAIRING RETAINER -----	2	B
		A---SERIAL 185-0001 & ON SERIAL 18051313 & ON		
		B---SERIAL 18051184 THRU 18051312		
		C---SERIAL 185-0001 THRU 185-0967 SERIAL 18051313 THRU 18051607		
		D---SERIAL 185-0968 & ON SERIAL 18051608 & ON		
		E---SERIAL 185-0001 THRU 18502090 SERIAL 18051184 THRU 18052284		
		F---SERIAL 18502091 & ON SERIAL 18052285 & ON		

This page intentionally left blank.

Fuselage (Cont)



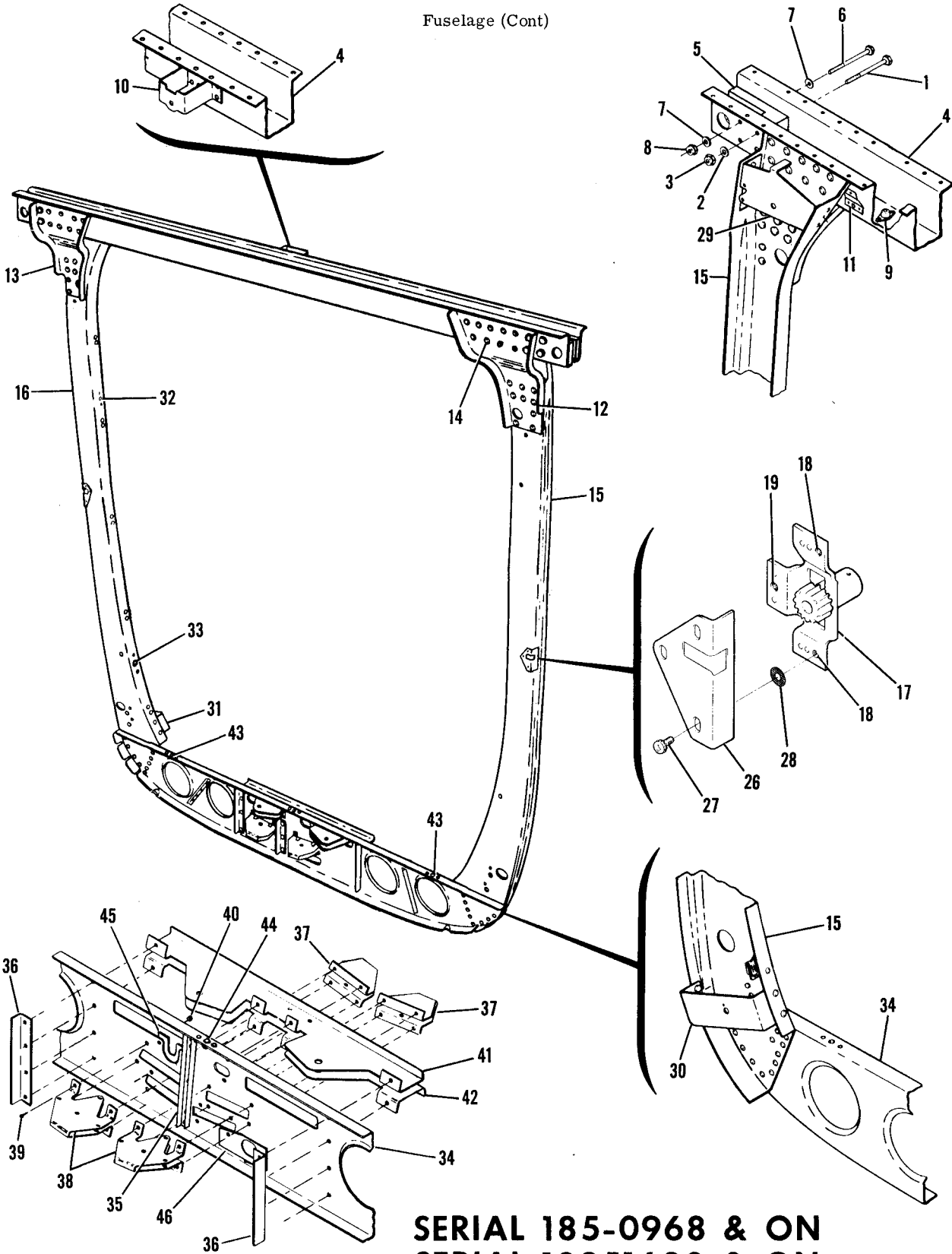
SERIAL 18051184 THRU 18051607
SERIAL 185-0001 THRU 185-0967

Figure 32. Fuselage Bulkhead Assembly Sta. 65.33

FIGURE AND INDEX NO.	PART NUMBER	DESCRIPTION	UNITS PER ASSY	USABLE ON CODE
		1 2 3 4 5 6 7		
32 -	0512124-41	BULKHEAD ASSEMBLY-FUSELAGE STA 65.33 -----	1	A
	0791102-4	BULKHEAD ASSEMBLY-FUSELAGE STA 65.33 -----	1	B
	0791102-5	SPAR ASSEMBLY-FUSELAGE REAR -----	1	
		ATTACHING PARTS -----		
- 1	AN3-20A	BOLT -----	4	
- 2	AN960-10	WASHER -----	4	
- 3	MS21044N3	NUT -----	4	
		---*---		
- 4	1210029-2	SPAR-FUSELAGE REAR -----	1	
- 5	0512122	BLOCK-SPAR BEARING -----	2	
		ATTACHING PARTS -----		
- 6	AN3-20A	BOLT -----	2	
- 7	AN960-10	WASHER -----	4	
- 8	MS21044N3	NUT -----	2	
		---*---		
- 9	NAS680A3	NUTPLATE -----	2	
-10	0512137	BRACKET-PULLEY -----	1	
-11	0512124-79	BRACE-BULKHEAD TO REAR SPAR LH -----	1	
-12	0512124-80	BRACE-BULKHEAD TO REAR SPAR RH -----	1	
-13	R3104T6-3	HUCKBOLT HKM -----	36	A
	NAS1080C6	COLLAR HKM -----	36	A
	0791100-12	CHANNEL ASSEMBLY-LH -----	1	
	0791100-11	CHANNEL ASSEMBLY-RH -----	1	
-14	0512124-40	CHANNEL-LH -----	1	
-15	0512124-39	CHANNEL-RH -----	1	
-16	0711024-4	STRIKER PLATE-DOOR LATCH -----	1	
		ATTACHING PARTS -----		
-17	AN520-10R8	SCREW -----	2	
-18	NAS687A3	NUT -----	2	
		---*---		
-19	0512139-2	BRACKET-AILERON PULLEY UPPER LH -----	1	
	0512139-3	BRACKET-AILERON PULLEY UPPER RH -----	1	
-20	0512134	BRACKET-PULLEY LH -----	1	
-21	0512134-1	BRACKET-PULLEY RH -----	1	
-22	NAS680A3	NUTPLATE -----	3	A
	0512124-42	BULKHEAD ASSEMBLY-LOWER -----	1	A
	0512124-13	BULKHEAD ASSEMBLY-LOWER -----	1	B
-23	0512133	BULKHEAD LOWER -----	1	
-24	0512124-5	ANGLE-BULKHEAD CENTER REINFORCEMENT -----	1	C
	0711697-2	STIFFENER-BULKHEAD -----	1	D
-25	0512124-7	ANGLE-BULKHEAD REINFORCEMENT -----	4	A
	0512124-7	ANGLE-BULKHEAD REINFORCEMENT -----	2	B
-26	0512129	BRACKET-FLAP RETURN PULLEY -----	2	
-27	0512128	BRACKET-FLAP PULLEY -----	2	
		ATTACHING PARTS -----		
-28	AN520-10R7	SCREW -----	4	
-29	MS21044N3	NUT -----	4	
		---*---		
-30	0512132-4	BRACKET ASSEMBLY-AILERON PULLEY UPPER -----	1	
	0512132-4	FAIRLEAD -----	1	
-31	0512132-1	BRACKET ASSEMBLY-AILERON PULLEY LOWER -----	1	
	0512132-4	FAIRLEAD -----	1	
	0512132-5	FAIRLEAD -----	1	
-32	NAS680A4	NUTPLATE -----	2	
-33	NAS680A3	NUTPLATE -----	1	
-34	0512152	RUB STRIP -----	1	
-35	AN742D2	CLAMP TIN -----	1	B
		ATTACHING PARTS -----		
	S1021Z4-6	SCREW -----	1	B
		---*---		
-36	0512124-15	FAIRLEAD -----	1	
-37	0512124-32	RUB STRIP-AILERON CABLE -----	2	
-38	NAS686A4	NUTPLATE -----	2	

A---SERIAL 185-0001 THRU 185-0967
 SERIAL 18051313 THRU 18051607
 B---SERIAL 18051184 THRU 18051312
 C---SERIAL 185-0001 THRU 185-0917
 SERIAL 18051184 THRU 18051559
 D---SERIAL 185-0918 THRU 185-0967
 SERIAL 18051560 THRU 18051607

Fuselage (Cont)



SERIAL 185-0968 & ON
SERIAL 18051608 & ON

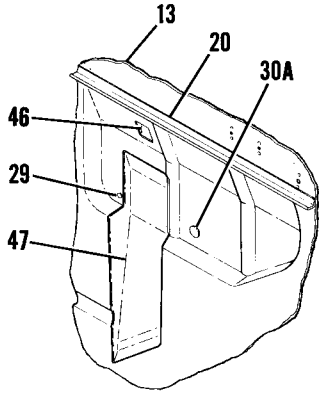
Figure 32A. Fuselage Bulkhead Assembly Sta. 65.33



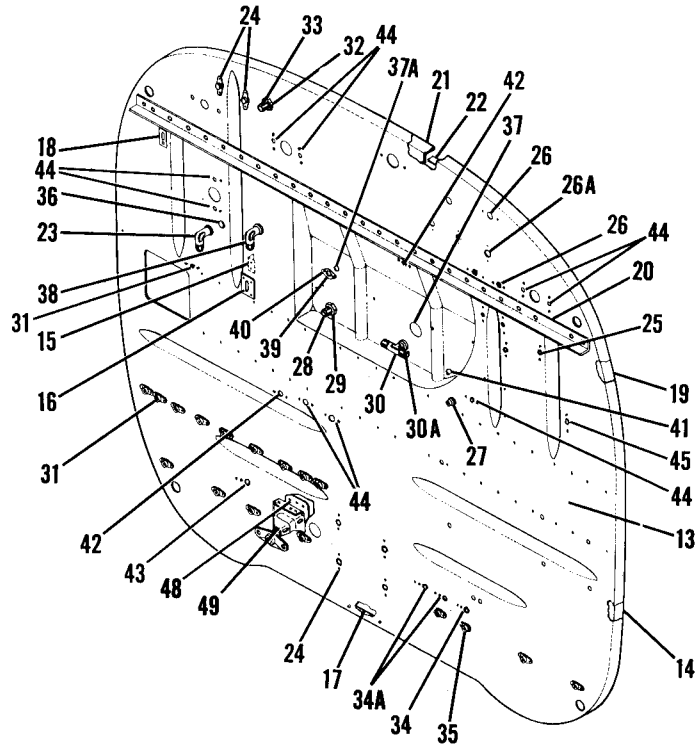
FIGURE AND INDEX NO.	PART NUMBER	DESCRIPTION	UNITS PER ASSY	USABLE ON CODE		
					1	2
32A-	0512124-52	BULKHEAD ASSEMBLY-FUSELAGE STA 65.33	1	A		
	0512124-73	BULKHEAD ASSEMBLY-FUSELAGE STA 65.33	1	B		
	0791102-5	SPAR ASSEMBLY-FUSELAGE REAR	1			
		ATTACHING PARTS				
- 1	AN3-20A	BOLT	4			
- 2	AN960-10	WASHER	4			
- 3	MS21044N3	NUT	4			
- 4	1210029-2	SPAR-FUSELAGE REAR WEU 1210029-5	1	C		
	1210029-5	SPAR-FUSELAGE REAR	1	D		
- 5	0512122	BLOCK-SPAR BEARING	2			
		ATTACHING PARTS				
- 6	AN3-20A	BOLT	2			
- 7	AN960-10	WASHER	4			
- 8	MS2065-1032C	NUT	2			
- 9	NAS680A3	NUTPLATE	2			
-10	0512137	BRACKET-PULLEY	1			
-11	0711696-1	BRACKET-AILERON CABLE GUIDE	2			
	NAS680A3	NUTPLATE	2			
-12	0512124-79	BRACE-BULKHEAD TO REAR SPAR LH	1			
-13	0512124-80	BRACE-BULKHEAD TO REAR SPAR RH	1			
-14	R3104T6-3	HUCKBOLT HKM	36			
	NAS1080C6	COLLAR HKM	36			
	0791102-19	CHANNEL ASSEMBLY-LH	1			
	0791102-18	CHANNEL ASSEMBLY-RH	1			
-15	0512124-53	CHANNEL-LH	1	A		
	0512124-75	CHANNEL-LH	1	B		
-16	0512124-54	CHANNEL-RH	1	A		
	0512124-74	CHANNEL-RH	1	B		
-17	0711699-1	CLUTCH ASSEMBLY-DOOR LATCH LH	1			
	0711699-2	CLUTCH ASSEMBLY-DOOR LATCH RH	1			
-18	NAS696A4	NUTPLATE	2			
-19	NAS680A4	NUTPLATE	1			
-20		DELETED, NOT AVAILABLE				
-21		DELETED, NOT AVAILABLE				
-22		DELETED, NOT AVAILABLE				
-23		DELETED, NOT AVAILABLE				
-24		DELETED, NOT AVAILABLE				
-25		DELETED, NOT AVAILABLE				
-26	0711698-3	ESCUTCHEON-LH	1			
	0711698-4	ESCUTCHEON-RH	1			
-27	AN525-416R8	SCREW	3			
-28	0711698-5	WASHER-ABRASIVE	3			
-29	0512139-2	BRACKET-AILERON PULLEY UPPER LH	1			
	0512139-3	BRACKET-AILERON PULLEY UPPER RH	1			
-30	0512134	BRACKET-PULLEY LH	1			
-31	0512134-1	BRACKET-PULLEY RH	1			
-32	NAS680A3	NUTPLATE	3			
-33	NAS686A4	NUTPLATE	2			
	0512124-42	BULKHEAD ASSEMBLY-LOWER	1			
-34	0512133	BULKHEAD-LOWER	1			
-35	0711697-2	STIFFENER-BULKHEAD	1			
-36	0512124-7	ANGLE-BULKHEAD REINFORCEMENT	4			
-37	0512129	BRACKET-FLAP RETURN PULLEY	2			
-38	0512128	BRACKET-FLAP PULLEY	2			
-39	AN520-10R7	SCREW	4			
-40	MS21044N3	NUT	4			
-41	0512132	BRACKET ASSEMBLY-AILERON PULLEY UPPER	1			
	0512132-4	FAIRLEAD	1			
-42	0512132-1	BRACKET ASSEMBLY-AILERON PULLEY LOWER	1			
	0512132-4	FAIRLEAD	1			
	0512132-5	FAIRLEAD	1			
-43	NAS680A4	NUTPLATE	2			
-44	NAS680A3	NUTPLATE	1			
-45	0512152	RUB STRIP	1			
-46	0512124-15	FAIRLEAD	1			

A---SERIAL 185-0968 THRU 18501832
 SERIAL 18051608 THRU 18052175
 B---SERIAL 18501833 & ON
 SERIAL 18052176 & ON
 C---SERIAL 185-0968 THRU 18501930,
 18501932 THRU 1801934
 SERIAL 18051608 THRU 18052222
 D---SERIAL 18501931, 18501935 & ON
 SERIAL 18052223 & ON

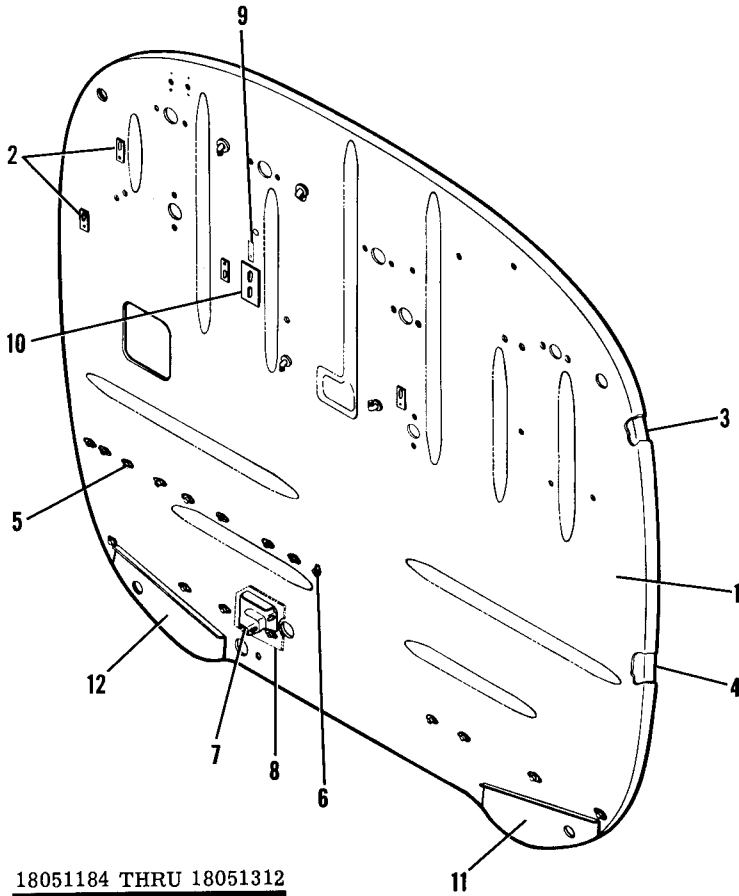
Fuselage (Cont)



18502008 THRU 18502025
18502028 & ON



18051313 & ON
185-0001 & ON



18051184 THRU 18051312

Figure 33. Firewall Assembly



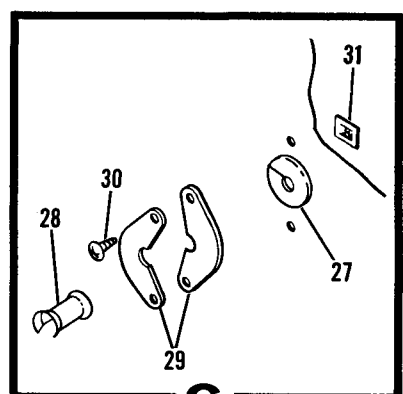
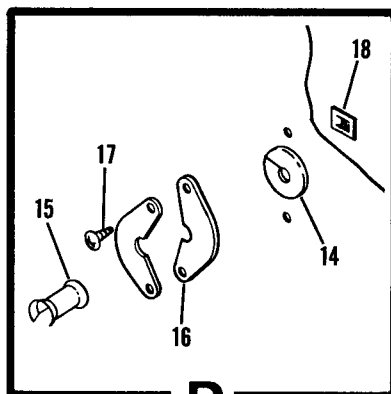
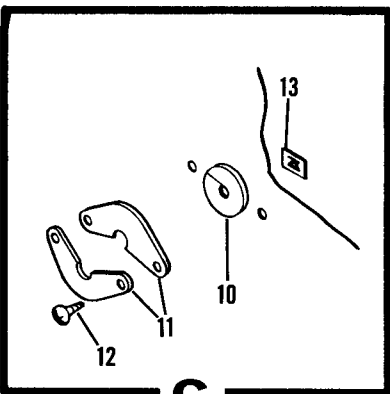
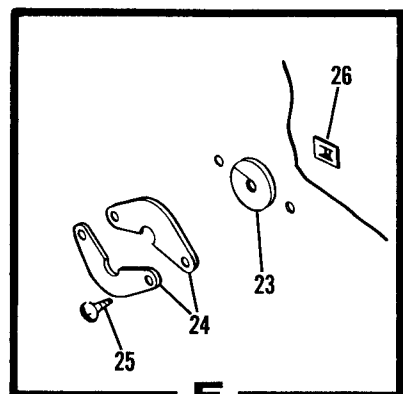
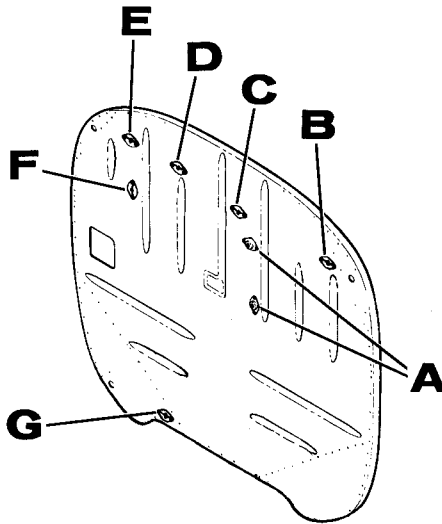
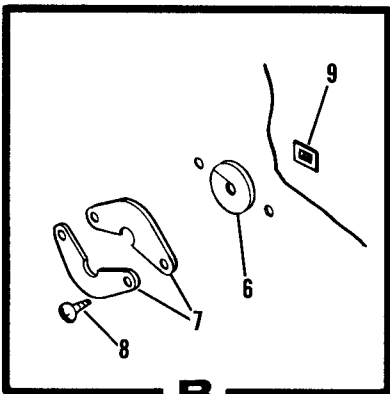
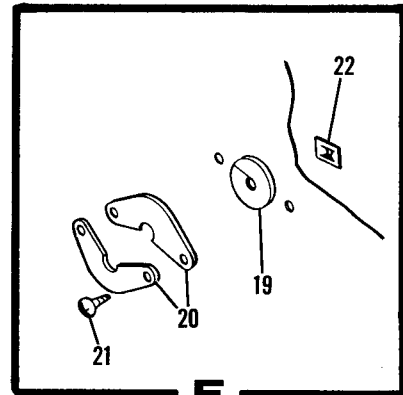
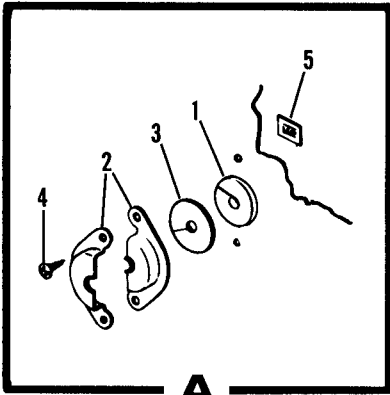
FIGURE AND INDEX NO.	PART NUMBER	DESCRIPTION							UNITS PER ASSY	USABLE ON CODE
		1	2	3	4	5	6	7		
33 -	0791302-7	FIREWALL ASSEMBLY -----							1	A
- 1	0753002-9	SHEET-FIREWALL -----							1	
- 2	0753000-13	DOUBLER -----							4	
- 3	0753000-15	DOUBLER-LH -----							1	
	0753000-14	DOUBLER-RH -----							1	
- 4	0753000-23	DOUBLER-LH -----							1	
	0753000-24	DOUBLER-RH -----							1	
- 5	NAS444-4	NUT -----							16	
- 6	NAS444-4A	NUT -----							2	
- 7	0450111	BRACKET-FUEL STRAINER -----							1	
- 8	0753008-1	DOUBLER -----							1	
- 9	0713149-1	BRACKET -----							1	
-10	0713147-1	DOUBLER -----							1	
-11	0753017-1	REINFORCEMENT-LH -----							1	
-12	0753017-2	REINFORCEMENT-RH -----							1	A
	0753012-1	FIREWALL ASSEMBLY -----							1	B
	0753018-201	FIREWALL ASSEMBLY WHEN EXHAUSTED USE 0753023-201 -----							1	H
	0753023-200	FIREWALL ASSEMBLY WHEN EXHAUSTED USE 0753023-200 -----							1	L
	0753018-202	FIREWALL ASSEMBLY -----							1	J
	0753023-201	FIREWALL ASSEMBLY WHEN EXHAUSTED USE 0753023-201 -----							1	M
	0753023-202	FIREWALL ASSEMBLY -----							1	P
-13	0753012-7	SHEET-FIREWALL -----							1	B
	0753018-3	SHEET-FIREWALL WHEN EXHAUSTED USE 0753023-3 -----							1	K
	0753023-3	SHEET-FIREWALL WHEN EXHAUSTED USE 0753023-3 -----							1	N
	0753023-4	SHEET-FIREWALL -----							1	P
-14	0753000-28	DOUBLER-LOWER LH -----							1	
	0753000-29	DOUBLER-LOWER RH -----							1	
-15	0713149-1	BRACKET -----							1	
-16	0753013-1	DOUBLER -----							1	
-17	0753021-1	SPACER -----							1	
-18	0753000-13	DOUBLER -----							1	
-19	0753000-27	DOUBLER-UPPER LH -----							1	
	0753000-26	DOUBLER-UPPER RH -----							1	
-20	0753018-4	ANGLE -----							1	
-21	0753018-5	ANGLE -----							1	
-22	0753018-6	DOUBLER -----							2	
-23	AN833-4D	ELBOW OIL PRESSURE -----							1	
	AN924-4D	NUT -----							1	
-24	NAS680A4K	NUTPLATE -----							5	B
	NAS680A4K	NUTPLATE -----							6	E
-25	NAS680A3K	NUTPLATE -----							2	B
-26	NAS680A4	NUTPLATE -----							3	B
-26A	NAS697A4K	NUTPLATE -----							2	E
	NAS697A3K	NUTPLATE -----							2	E
-27	AN833-2D	ELBOW -----							1	B
-28	AN832-2D	UNION STRAINER TO PRIMER -----							1	C
	AN924-2D	NUT -----							3	C
	AN924-2D	NUT -----							2	D
-29	CM2692-10-1S	PLUG BUTTON -----							2	D
-30	AN834-2D	TEE PRIMER -----							1	C
-30A	CM2692-10-1S	PLUG BUTTON -----							1	D
-31	S1863-3	NUTPLATE -----							17	
-32	AN832-3D	UNION -----							1	B
	AN832-2D	UNION FUEL PRESSURE -----							1	D
	AN924-3D	NUT -----							1	B
-33	CM2692-12-1H	PLUG BUTTON -----							1	C
-34	NAS697A06L	NUTPLATE -----							1	Q
-34A	NAS697A06L	NUTPLATE -----							2	R
	NAS697A04L	NUTPLATE -----							2	D
-35	S1862-2	NUTPLATE -----							1	
-36	CM2692-15-1S	PLUG BUTTON -----							1	C
-37	CM2692-12-1S	PLUG BUTTON -----							1	C
-37A	CM2692-12-1H	PLUG BUTTON -----							1	C
-38	AN837-2D	ELBOW MANIFOLD PRESSURE -----							1	E
-39	NAS557-4A	GROMMET -----							1	C
-40	S1095-2	SHIELD HALF -----							1	C
		ATTACHING PARTS								
	S102178-8	SCREW -----							2	C
	NAS446-4-3	NUT -----							2	C
		---*---								
-41	CM2692-8-1H	PLUG BUTTON -----							1	S

CONTINUED ON NEXT PAGE

FIGURE AND INDEX NO.	PART NUMBER	DESCRIPTION							UNITS PER ASSY	USABLE ON CODE
		1	2	3	4	5	6	7		
33 -42	NAS697A3	NUTPLATE -----							2	L
-43	S1862-2A	NUTPLATE -----							1	F
-44	NAS680A08	NUTPLATE -----							9	F
-45	NAS680A3K	NUTPLATE -----							1	
-46	0753026-1	ADAPTOR-FIREWALL -----							1	P
-47	1653008-1	PAN-FIREWALL -----							1	P
-48	0753008-1	DOUBLER -----							1	F
	0753020-2	PLATE -----							1	G
-49	0450111	BRACKET-FUEL STRAINER -----							1	F
	0753020-1	ANGLE-FUEL STRAINER -----							1	G
		A---SERIAL 18051184 THRU 18051312								
		B---SERIAL 185-0001 THRU 185-0653								
		C---SERIAL 18051313 & ON								
		D---SERIAL 185-0654 & ON								
		E---SERIAL 18051313 & ON								
		SERIAL 185-0654 & ON								
		F---SERIAL 18051184 THRU 18051445								
		SERIAL 185-0001 THRU 185-0776								
		G---SERIAL 18051446 & ON								
		SERIAL 185-0777 & ON								
		H---SERIAL 18051313 THRU 18051607								
		J---SERIAL 185-0654 THRU 185-0967								
		K---SERIAL 18051313 THRU 18051607								
		SERIAL 185-0654 THRU 185-0967								
		L---SERIAL 18051608 & ON								
		M---SERIAL 185-0968 THRU 18502007,								
		18502026 THRU 18502027								
		N---SERIAL 18051608 & ON								
		SERIAL 185-0968 THRU 18502007,								
		18502026 THRU 18502027								
		P---SERIAL 18502008 THRU 18502025, 18502028 & ON								
		Q---SERIAL 185-0001 & ON								
		R---SERIAL 185-0001 THRU 185-0653								
		S---SERIAL 18051876 & ON								
		SERIAL 185-1301 & ON								

This page intentionally left blank.

Fuselage (Cont)

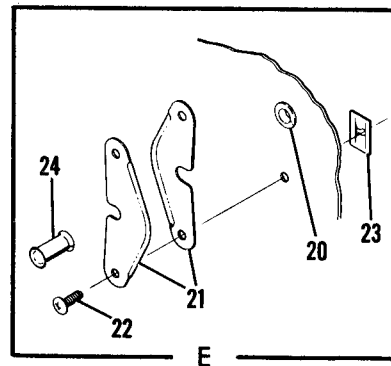
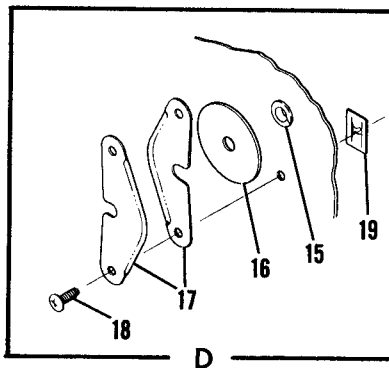
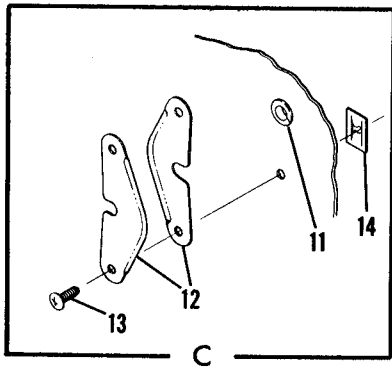
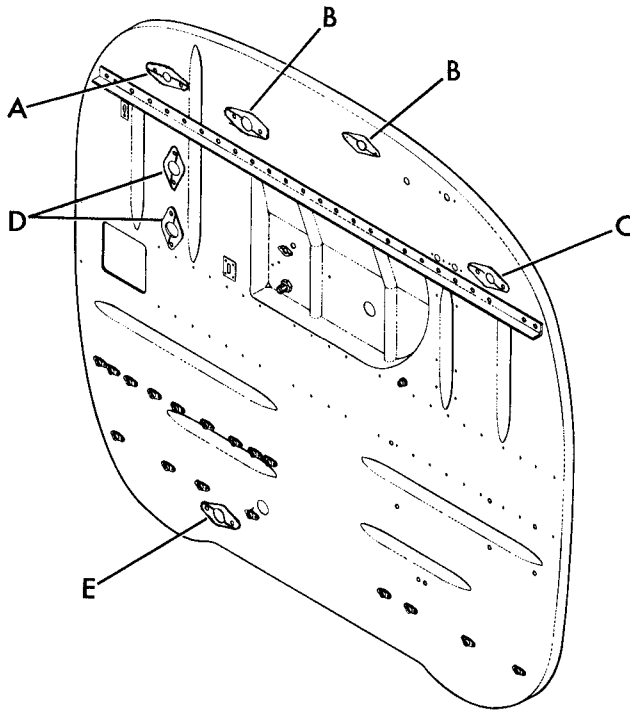
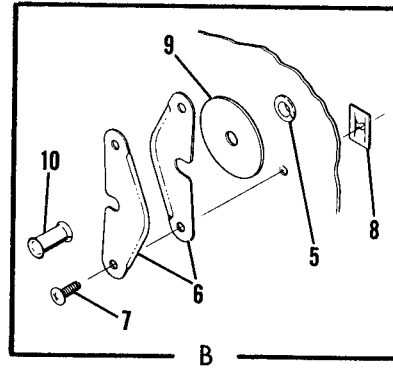
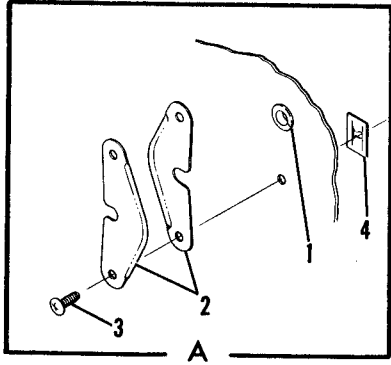


SERIAL 18051184 THRU 18051312

Figure 34. Firewall Grommets Installation

FIGURE AND INDEX NO.	PART NUMBER	DESCRIPTION	UNITS PER ASSY	USABLE ON CODE
34 -		GROMMETS INSTALLATION-FIREWALL -----	NP	A
- 1	MS35489-11	GROMMET PROPELLER & THROTTLE CONTROL -----	2	
- 2	S352	SHIELD-FIREWALL HOLE -----	2	
- 3	S354-1	GROMMET-ASBESTOS -----	2	
		ATTACHING PARTS -----		
- 4	S1021Z8-6	SCREW -----	2	
- 5	NAS446-4-3	NUT -----	2	
		-----*		
- 6	NAS557-8A	GROMMET VOLTAGE REGULATOR LEAD -----	1	
- 7	S1095-4	SHIELD HALF -----	2	
		ATTACHING PARTS -----		
- 8	S1021Z8-8	SCREW -----	2	
- 9	NAS446-4-3	NUT -----	2	
		-----*		
-10	NAS557-6A	GROMMET MAGNETO LEADS -----	1	
-11	S1095-3	SHIELD HALF -----	2	
		ATTACHING PARTS -----		
-12	S1021Z8-8	SCREW -----	2	
-13	NAS446-4-3	NUT -----	2	
		-----*		
-14	NAS557-4A	GROMMET OIL TEMPERATURE LINE -----	1	
-15	0753003-1	BUSHING -----	1	
-16	S1095-2	SHIELD HALF -----	2	
		ATTACHING PARTS -----		
-17	S1021Z8-6	SCREW -----	2	
-18	NAS446-4-3	NUT -----	2	
		-----*		
-19	NAS557-6A	GROMMET THERMOCOUPLE & STARTER RELAY LEADS -----	1	
-20	S1095-3	SHIELD HALF -----	2	
		ATTACHING PARTS -----		
-21	S1021Z8-8	SCREW -----	2	
-22	NAS446-4-3	NUT -----	2	
		-----*		
-23	NAS557-4A	GROMMET TACHOMETER -----	1	
-24	S1095-2	SHIELD HALF -----	2	
		ATTACHING PARTS -----		
-25	S1021Z8-6	SCREW -----	2	
-26	NAS446-4-3	NUT -----	2	
		-----*		
-27	NAS557-8A	GROMMET BATTERY CABLE -----	1	
-28	0713003-74	FAIRLEAD -----	1	
-29	S1095-4	SHIELD HALF -----	2	
		ATTACHING PARTS -----		
-30	S1021Z8-8	SCREW -----	2	
-31	NAS446-4-3	NUT -----	2	
		-----*		
A---SERIAL 18051184 THRU 18051312				

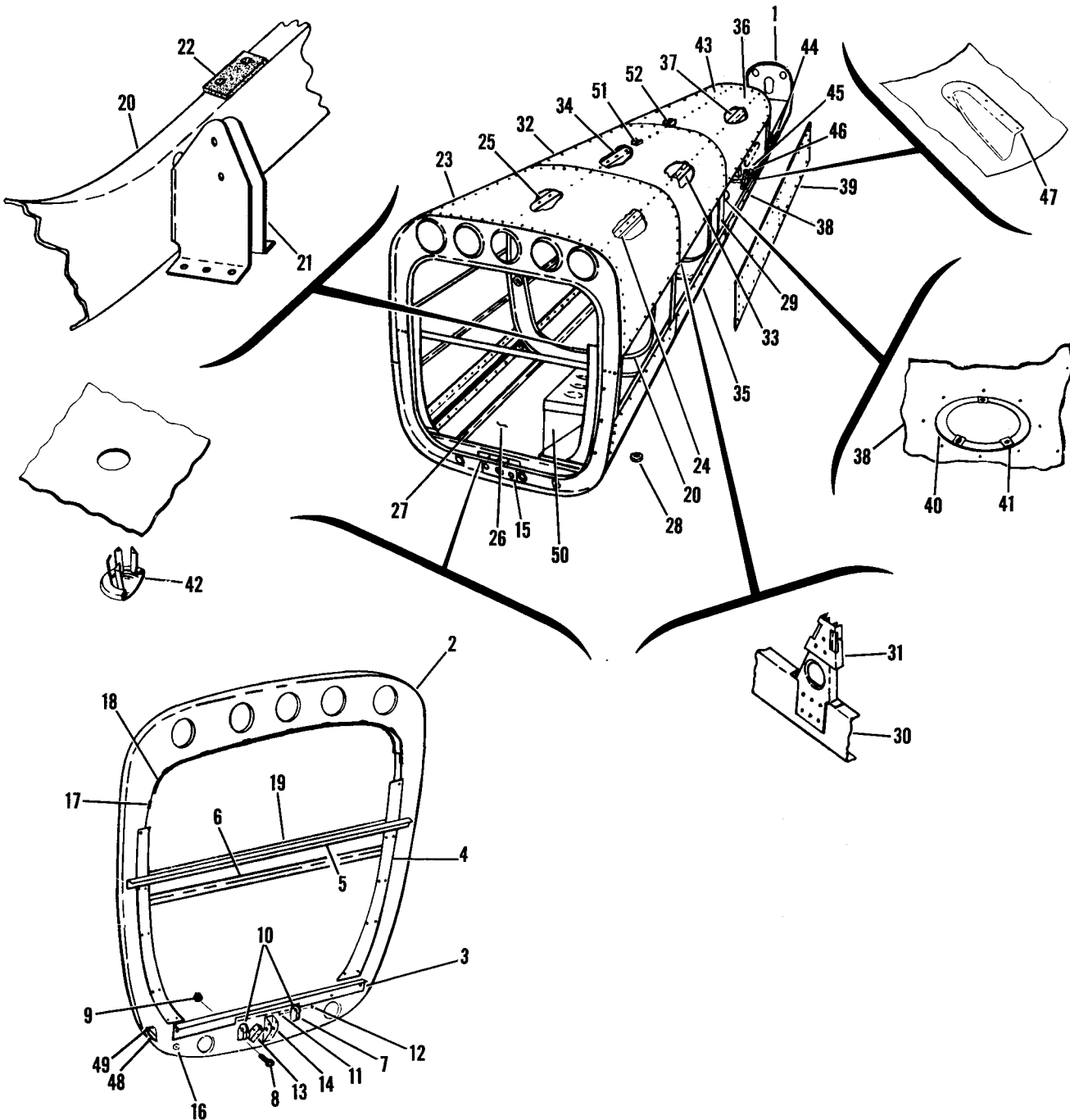
Fuselage (Cont)



SERIAL 18051313 & ON
SERIAL 185-0001 & ON
Figure 34A. Firewall Grommets Installation

FIGURE AND INDEX NO.	PART NUMBER	DESCRIPTION	UNITS PER ASSY	USABLE ON CODE
		1 2 3 4 5 6 7		
34A-		GROMMETS INSTALLATION-FIREWALL -----	NP	A
- 1	NAS557-6A	GROMMET -----	1	
- 2	S1095-3	SHIELD HALF -----	2	
		ATTACHING PARTS -----		
- 3	S1021Z8-8	SCREW -----	1	
- 4	NAS446-4-3	NUT -----	1	
		-----*		
- 5	NAS557-4A	GROMMET -----	2	
- 6	S1095-2	SHIELD HALF -----	4	
		ATTACHING PARTS -----		
- 7	S1021Z8-8	SCREW -----	1	
- 8	NAS446-4-3	NUT -----	1	
		-----*		
- 9	S354-5	GROMMET-ASBESTOS -----	2	
-10	0753003-1	BUSHING -----	2	
-11	NAS557-12A	GROMMET -----	1	
-12	S1095-6	SHIELD HALF -----	2	
		ATTACHING PARTS -----		
-13	S1021Z8-8	SCREW -----	1	
-14	NAS446-4-3	NUT -----	1	
		-----*		
-15	NAS557-4A	GROMMET -----	1	
-16	S354-5	GROMMET-ASBESTOS -----	1	
-17	S1095-2	SHIELD HALF -----	2	
		ATTACHING PARTS -----		
-18	S1021Z8-8	SCREW -----	1	
-19	NAS446-4-3	NUT -----	1	
		-----*		
-20	NAS557-8A	GROMMET -----	1	
-21	S1095-4	SHIELD HALF -----	2	
		ATTACHING PARTS -----		
-22	S1021Z8-8	SCREW -----	1	
-23	NAS446-4-3	NUT -----	1	
		-----*		
-24	0713003-74	FAIRLEAD -----	1	
		A---SERIAL 18051313 & ON SERIAL 185-0001 & ON		

Fuselage (Cont)



SERIAL 185-0001 THRU 185-1149
SERIAL 18051184 THRU 18051774

Figure 35. Fuselage Aft Section Assembly

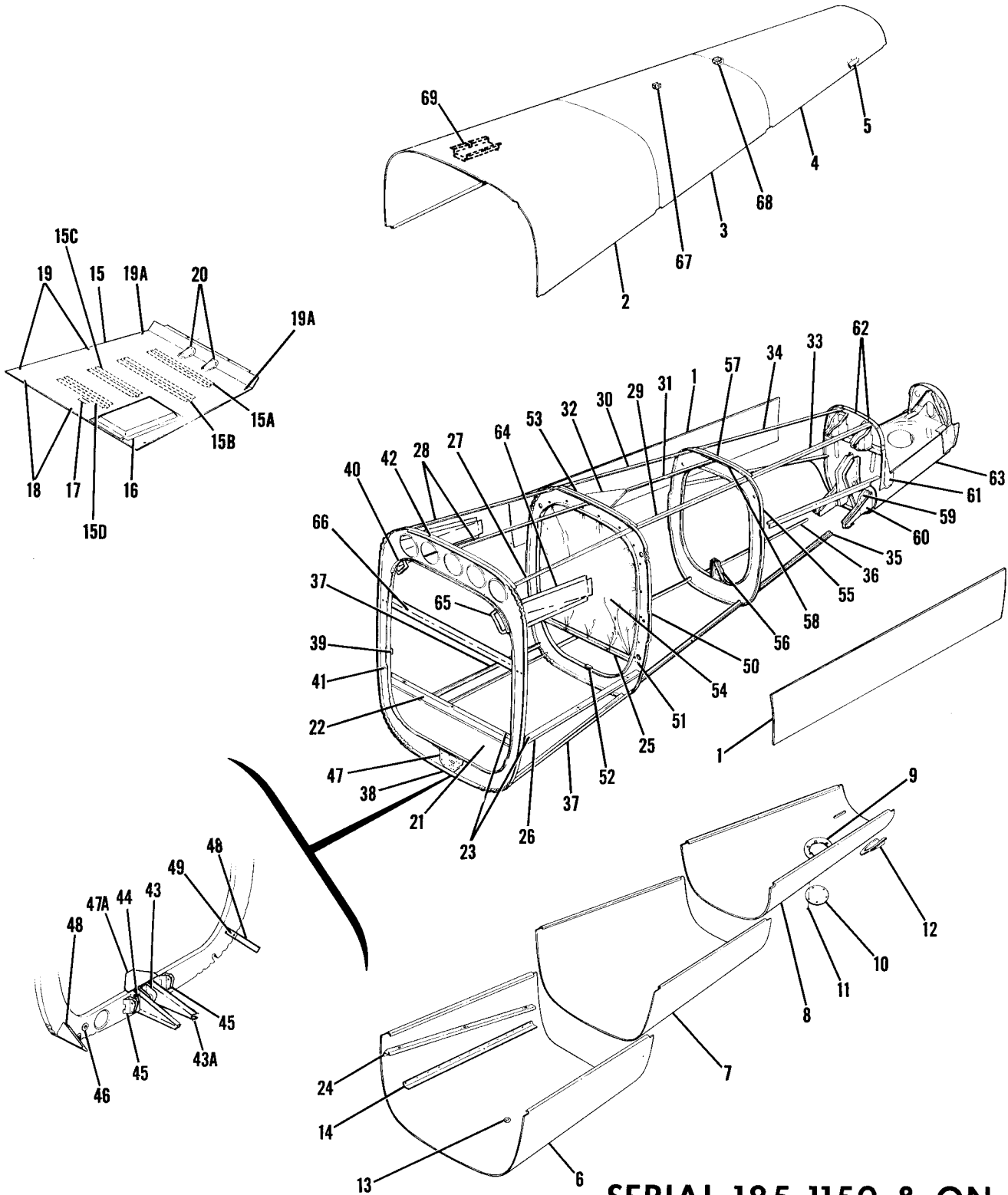
FIGURE AND INDEX NO.	PART NUMBER	DESCRIPTION	UNITS PER ASSY	USABLE ON CODE
		1 2 3 4 5 6 7		
35 -	0791200-8	AFT SECTION ASSEMBLY-FUSELAGE -----	1	E
- 1	0791200-7	TAILCONE ASSEMBLY-FUSELAGE AFT SECTION SEE FIGURE 38 -----	1	
	0711100-12	BULKHEAD ASSEMBLY-FUSELAGE AFT SECTION STA 108.00 -----	1	
- 2	0711100-11	BULKHEAD-FUSELAGE AFT SECTION STA 108.00 -----	1	
- 3	0511149-1	RETAINER-INTERIOR TRIM LOWER -----	1	
- 4	0512121-6	PLATE-INTERIOR TRIM SIDE -----	2	
- 5	0512148	ANGLE-BAGGAGE SHELF -----	1	
	0712004-1	STIFFENER -----	1	
- 6	0710011-1	ANGLE-SEAT BACK SUPPORT -----	1	
- 7	0512160-2	BRACKET-RUDDER CABLE PULLEY -----	2	
		ATTACHING PARTS -----		
- 8	NAS221-6	SCREW -----	2	
- 9	MS21044N3	NUT -----	2	
		-----*		
-10	S378-3L	PULLEY-RUDDER CABLE -----	2	
		ATTACHING PARTS -----		
-11	AN4-10A	BOLT -----	2	
-12	NAS679A4	NUT -----	2	
		-----*		
-13	0412467	BRACKET-STABILIZER TRIM CABLE PULLEY -----	1	
-14	0510164	BRACKET-ELEVATOR CABLE PULLEY -----	1	
-15	0710009-1	REINFORCEMENT-BULKHEAD -----	1	
-16	MS35489-14	GROMMET -----	1	
-17	0711117-1	CLIP-UPHOLSTERY -----	12	
-18	S202RB	MOULDING-40.38 IN. LG BULK ITEM REF S-202R40.388 --	AR	
-19	0511145	SUPPORT ASSEMBLY-INTERIOR TRIM -----	1	F
	0712201-5	BULKHEAD ASSEMBLY-FUSELAGE AFT SECTION STA 140.00 -----	1	
-20	0712201-4	BULKHEAD-FUSELAGE AFT SECTION STA 140.00 -----	1	
	0712005-1	STIFFENER -----	1	
-21	0712209	BRACKET-RUDDER CABLE PULLEY -----	1	
-22	0712201-2	RUB STRIP -----	1	
-23	0712000-31	SKIN-FUSELAGE AFT SECTION UPPER STA 108.00 TO 140.00 -----	1	
-24	0712007-1	STIFFENER-UPPER SKIN -----	1	
-25	0712007-4	STIFFENER-UPPER SKIN -----	2	
-26	0712000-34	SKIN-FUSELAGE AFT SECTION LOWER STA 108.00 TO 140.00 -----	1	
-27	0712015-2	ANGLE-STIFFENER RH -----	1	
	0712015-1	ANGLE-STIFFENER LH -----	1	
-28	MS35489-14	GROMMET -----	1	
	MS35489-11	GROMMET -----	1	
-29	0712202-5	BULKHEAD ASSEMBLY-FUSELAGE AFT SECTION STA 172.00 -----	1	
-30	0712202-4	BULKHEAD-FUSELAGE AFT SECTION STA 172.00 -----	1	
	0712006-1	STIFFENER AFT SIDE OF BULKHEAD -----	1	
	0712006-2	STIFFENER FWD SIDE OF BULKHEAD -----	1	
-31	0712212	BRACKET-RUDDER CABLE PULLEY -----	1	
-32	0712000-32	SKIN-FUSELAGE AFT SECTION UPPER STA 140.00 TO 172.00 -----	1	

CONTINUED ON NEXT PAGE

FIGURE AND INDEX NO.	PART NUMBER	DESCRIPTION	UNITS PER ASSY	USABLE ON CODE
35 -33	0712007-5	STIFFENER-UPPER SKIN -----	1	
-34	0712007-6	STIFFENER-UPPER SKIN -----	1	
	0712007-7	STIFFENER-UPPER SKIN -----	1	C
-35	0712000-35	SKIN-FUSELAGE AFT SECTION LOWER STA 140.00 TO 172.00 ----	1	D
-36	0712000-38	SKIN-FUSELAGE AFT SECTION UPPER STA 172.00 TO 209.00 ----	1	
	0712309-11	FAIRING-RH -----	1	
	0712309-12	FAIRING-LH -----	1	
-37	0712007-3	STIFFENER-UPPER SKIN LH -----	1	
	0712007-2	STIFFENER-UPPER SKIN RH -----	1	
-38	0712000-36	SKIN-FUSELAGE AFT SECTION LOWER STA 172.00 TO 209.00 ----	1	
-39	0712000-2	PLATE-FUSELAGE SPLICE STA 140.00 TO 209.00 ----	2	
-40	S226-5	DOUBLER-ACCESS OPENING -----	1	
-41	S1860-2A	NUTPLATE -----	6	
-42	S349	SCOOP-DRAIN -----	7	
-43	NAS680A08	NUTPLATE -----	6	
-44	0712303-1	GUIDE-STABILIZER SEAL LH -----	1	
	0712303-2	GUIDE-STABILIZER SEAL RH -----	1	
-45	0712309-5	BRACKET-PULLEY INBOARD LH SEE FIGURE 98 -----	1	
	0712309-6	BRACKET-PULLEY INBOARD RH SEE FIGURE 98 -----	1	
-46	0712309-7	BRACKET-PULLEY OUTBOARD LH SEE FIGURE 98 -----	1	
	0712309-8	BRACKET-PULLEY OUTBOARD RH SEE FIGURE 98 -----	1	
-47	0712309-9	FAIRING-TAILWHEEL STEERING CABLE LH -----	1	
	0712309-10	FAIRING-TAILWHEEL STEERING CABLE RH -----	1	
-48	0712008-1	BRACKET-SEAT BELT LUG -----	2	
-49	0712009-1	SPACER-LUG BRACKET -----	2	
-50		BOX INSTALLATION-BATTERY SEE FIGURE 37 -----	NP	
-51	0712002-1	FITTING-DORSAL FORWARD -----	1	A
	0712304-1	FITTING-DORSAL FORWARD -----	1	B
	NAS395-6-3	NUTPLATE -----	2	
-52	0712001-1	FITTING-DORSAL AFT -----	1	A
	0712304-12	FITTING-DORSAL AFT -----	1	B
	NAS395-18-3	NUTPLATE -----	2	
<p>A---SERIAL 185-0001 & ON B---SERIAL 18051184 & ON C---SERIAL 185-0001 THRU 185-0791 SERIAL 18051184 THRU 18051483 D---SERIAL 185-0792 & ON SERIAL 18051484 & ON E---SERIAL 185-0001 THRU 185-1149 SERIAL 18051184 THRU 18051774 F---SERIAL 18051184 THRU 18051312</p>				

This page intentionally left blank.

Fuselage (Cont)



**SERIAL 185-1150 & ON
SERIAL 18051775 & ON**

Figure 35A. Fuselage Aft Section Assembly



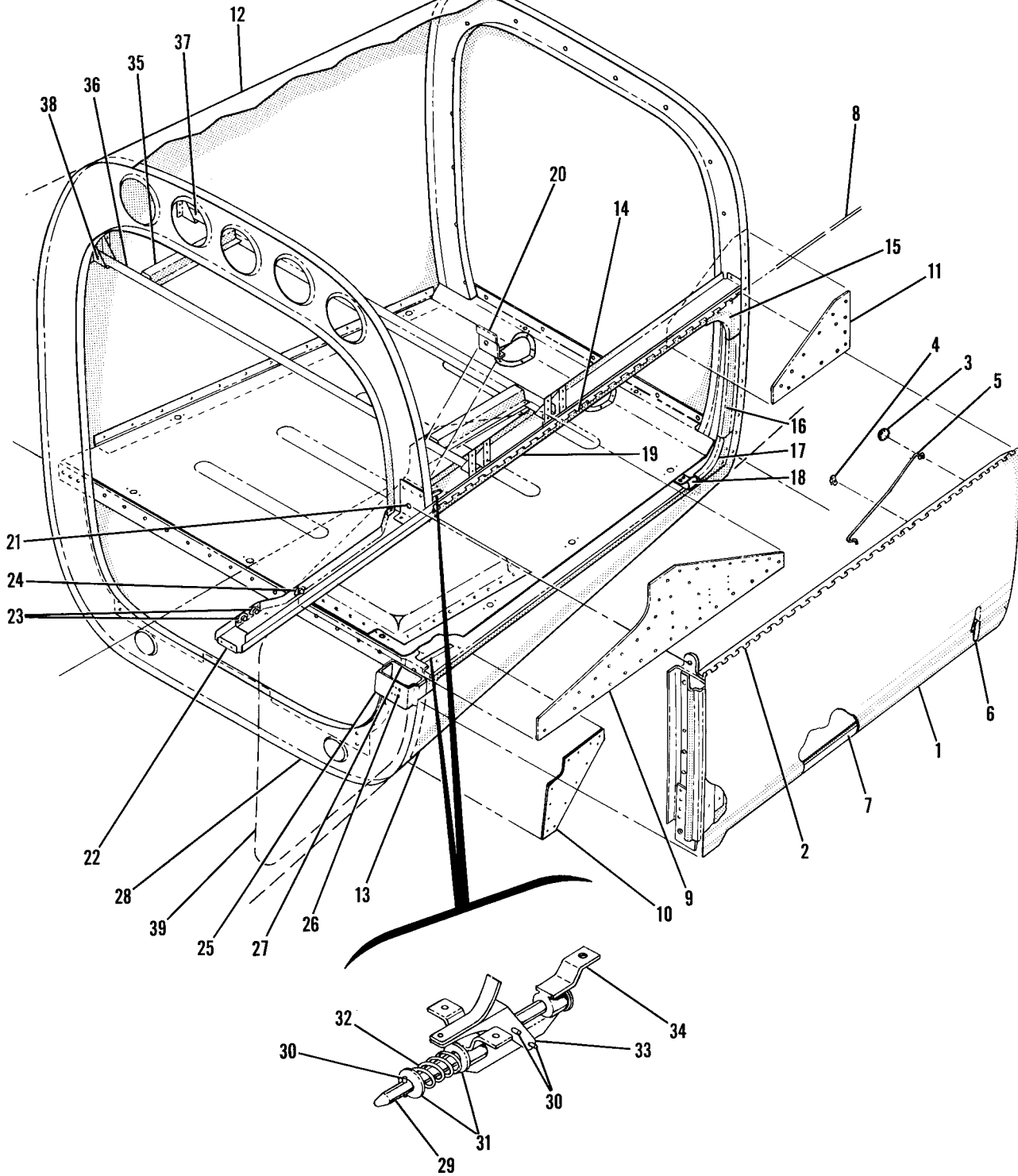
FIGURE AND INDEX NO.	PART NUMBER		DESCRIPTION							UNITS PER ASSY	USABLE ON CODE
			1	2	3	4	5	6	7		
35A-	0791200-10	*	AFT SECTION ASSEMBLY-FUSELAGE	-----	-----	-----	-----	-----	-----	1	G
		*	AFT SECTION ASSEMBLY-FUSELAGE	-----	-----	-----	-----	-----	-----	NP	H
	0791200-11		AFT SECTION ASSEMBLY-FUSELAGE	-----	-----	-----	-----	-----	-----	1	J
			AFT SECTION ASSEMBLY-FUSELAGE	-----	-----	-----	-----	-----	-----	NP	K
- 1	0712000-2		PLATE-FUSELAGE SPLICE	STA 140.00 TO 209.00	-----	-----	-----	-----	-----	2	
- 2	0712000-31	*	SKIN-UPPER	STA 108.00 TO 140.00	-----	-----	-----	-----	-----	1	A
- 3	0712000-32		SKIN-UPPER	STA 140.00 TO 172.00	-----	-----	-----	-----	-----	1	
- 4	0712000-38		SKIN-UPPER	STA 172.00 TO 209.00	-----	-----	-----	-----	-----	1	
- 5	0712309-12		FAIRING-LH	-----	-----	-----	-----	-----	-----	1	
	0712309-11		FAIRING-RH	-----	-----	-----	-----	-----	-----	1	
- 6	0712000-34	*	SKIN-LOWER	STA 108.00 TO 140.00	-----	-----	-----	-----	-----	1	A
- 7	0712000-35		SKIN-LOWER	STA 140.00 TO 172.00	-----	-----	-----	-----	-----	1	
- 8	0712000-36		SKIN-LOWER	STA 172.00 TO 209.00	-----	-----	-----	-----	-----	1	
- 9	S226-5		DOUBLER ASSEMBLY	-----	-----	-----	-----	-----	-----	1	
	S1860-2A		NUTPLATE	-----	-----	-----	-----	-----	-----	6	
-10	S225-4		PLATE-INSPECTION	-----	-----	-----	-----	-----	-----	1	
			ATTACHING PARTS	-----	-----	-----	-----	-----	-----		
-11	S1021Z8-8		SCREW	-----	-----	-----	-----	-----	-----	6	
			-----*	-----	-----	-----	-----	-----	-----		
-12	0712309-9		FAIRING-TAILWHEEL STEERING CABLE LH	-----	-----	-----	-----	-----	-----	1	
	0712309-10		FAIRING-TAILWHEEL STEERING CABLE RH	-----	-----	-----	-----	-----	-----	1	
-13	MS35489-14		GROMMET	-----	-----	-----	-----	-----	-----	1	
-14	0770712-1		ANGLE-RADIO RACK	-----	-----	-----	-----	-----	-----	1	
-15	0712660-2		PAN ASSEMBLY-FLOOR	WHEN EXHAUSTED USE 0712660-10	-----	-----	-----	-----	-----	1	E
	0712660-10		PAN ASSEMBLY-FLOOR	-----	-----	-----	-----	-----	-----	1	F
-15A	0712663-1		STIFFENER	-----	-----	-----	-----	-----	-----	1	F
-15B	0712663-2		STIFFENER	-----	-----	-----	-----	-----	-----	1	F
-15C	0712663-3		STIFFENER	-----	-----	-----	-----	-----	-----	1	F
-15D	0712663-4		STIFFENER	-----	-----	-----	-----	-----	-----	1	F
-16	0712661-1		SHIELD-BATTERY	-----	-----	-----	-----	-----	-----	1	
-17	0712662-1		PLACARD	-----	-----	-----	-----	-----	-----	1	
-18	S1115-14		STUD	-----	-----	-----	-----	-----	-----	5	
	S1115-9		RING	-----	-----	-----	-----	-----	-----	5	
-19	S1115-11		STUD	-----	-----	-----	-----	-----	-----	6	
	S1115-9		RING	-----	-----	-----	-----	-----	-----	6	
-19A	S1115-15		STUD	-----	-----	-----	-----	-----	-----	2	
	S1115-9		RING	-----	-----	-----	-----	-----	-----	2	
-20	0712658-1		SHIELD-CABLE	-----	-----	-----	-----	-----	-----	2	
-21	0712660-4		PLATE-STA 108.00	-----	-----	-----	-----	-----	-----	1	
-22	0712013-22		ANGLE-FLOOR SUPPRT	STA 108.00	-----	-----	-----	-----	-----	1	
-23	S1115-19		RECEPTACLE	-----	-----	-----	-----	-----	-----	8	
-24	0712660-6		ANGLE ASSEMBLY-FLOOR SUPPRT RH	-----	-----	-----	-----	-----	-----	1	
	S1115-19		RECEPTACLE	-----	-----	-----	-----	-----	-----	3	
-25	0712659-1		SUPPORT ASSEMBLY-FLOORBOARD	STA 140.00	-----	-----	-----	-----	-----	2	
	S1115-19		RECEPTACLE	-----	-----	-----	-----	-----	-----	1	
-26	0712013-17		SUPPORT-FLOORBOARD RH	-----	-----	-----	-----	-----	-----	1	
-27	0712007-1		STIFFENER-UPPER LH	-----	-----	-----	-----	-----	-----	1	
-28	0712007-4		STIFFENER-UPPER CENTER & RH	-----	-----	-----	-----	-----	-----	2	
-29	0712007-5		STIFFENER-UPPER LH	-----	-----	-----	-----	-----	-----	1	
-30	0712007-6		STIFFENER-UPPER RH	-----	-----	-----	-----	-----	-----	1	
-31	0712007-7		STIFFENER-UPPER CENTER	-----	-----	-----	-----	-----	-----	1	
-32	0712016-1		GUSSET	-----	-----	-----	-----	-----	-----	1	
-33	0712007-2		STIFFENER-UPPER LH	-----	-----	-----	-----	-----	-----	1	
-34	0712007-3		STIFFENER-UPPER RH	-----	-----	-----	-----	-----	-----	1	
-35	0712015-1		ANGLE-LOWER LH	-----	-----	-----	-----	-----	-----	1	
-36	0712015-2		ANGLE-LOWER RH	-----	-----	-----	-----	-----	-----	1	
-37	0712000-13		ANGLE-LOWER	-----	-----	-----	-----	-----	-----	2	
	0711100-16	*	BULKHEAD ASSEMBLY-FUSELAGE AFT SECTION	STA 108.00	-----	-----	-----	-----	-----	1	G
	0711100-19	*	BULKHEAD ASSEMBLY-FUSELAGE AFT SECTION	STA 108.00	-----	-----	-----	-----	-----	1	H
	0711100-14		BULKHEAD ASSEMBLY-FUSELAGE AFT SECTION	STA 108.00	-----	-----	-----	-----	-----	1	J
	0711100-20		BULKHEAD ASSEMBLY-FUSELAGE AFT SECTION	STA 108.00	-----	-----	-----	-----	-----	1	K
-38	0711100-17	*	BULKHEAD-STA 108.00	-----	-----	-----	-----	-----	-----	1	G
	0711100-18	*	BULKHEAD-STA 108.00	-----	-----	-----	-----	-----	-----	1	H
	0711100-15		BULKHEAD-STA 108.00	-----	-----	-----	-----	-----	-----	1	J
	0711100-21		BULKHEAD-STA 108.00	-----	-----	-----	-----	-----	-----	1	K
-39	0711704-1		TAB	-----	-----	-----	-----	-----	-----	1	
-40	S202VW		MOULDING-40.38 IN LG	BULK ITEM	REF S202V40.38W	-----	-----	-----	-----	1	
-41	NAS680A3		NUTPLATE	-----	-----	-----	-----	-----	-----	2	
-42	0712004-1		STIFFENER	-----	-----	-----	-----	-----	-----	1	
-43	0510164		BRACKET-ELEVATOR CABLE PULLEY	-----	-----	-----	-----	-----	-----	1	
-43A	0711794-1		SUPPORT-SHEAR PLATE	-----	-----	-----	-----	-----	-----	1	H
-44	0412467		BRACKET-STABILIZER TRIM CABLE PULLEY	-----	-----	-----	-----	-----	-----	1	

CONTINUED ON NEXT PAGE

FIGURE AND INDEX NO.	PART NUMBER	DESCRIPTION							UNITS PER ASSY	USABLE ON CODE
		1	2	3	4	5	6	7		
35A-45	0512160-2	BRACKET-RUDDER CABLE PULLEY -----							2	
		ATTACHING PARTS								
	NAS221-6	SCREW -----							2	
	MS21044N3	NUT -----							2	
		*-----								
-46	MS35489-14	GROMMET -----							1	
-47	0710009-1	REINFORCEMENT PLATE-BULKHEAD -----							1	G
	0710009-3	REINFORCEMENT PLATE ASSEMBLY-BULKHEAD -----							1	H
	NAS696A4	NUTPLATE -----							2	H
-47A	0711795-1	SHEAR PLATE -----							1	M
-48	0712008-1	BRACKET-SEAT BELT LUG -----							2	G
	0712008-2	BRACKET-SEAT BELT LUG -----							2	H
-49	0712009-1	SPACER-LUG BRACKET -----							2	
	0712201-5	BULKHEAD ASSEMBLY-STA 140.00 -----							1	
-50	0712201-4	BULKHEAD-STA 140.00 -----							1	
-51	NAS680A3	NUTPLATE -----							2	
-52	0712201-2	RUB STRIP -----							1	
-53	0712002-1	STIFFENER -----							1	
-54	0712660-8	PANEL ASSEMBLY-STA 140.00 -----							1	
		ATTACHING PARTS								
	AN227-8B	STUD -----							21	
	AN227-9B	EYELET -----							21	
		*-----								
	AN227-6B	BUTTON -----							21	
	AN227-7B	SOCKET -----							21	
	0712202-5	BULKHEAD ASSEMBLY-STA 172.00 -----							1	
-55	0712202-4	BULKHEAD-STA 172.00 -----							1	
-56	0712212	BRACKET-RUDDER CABLE PULLEY -----							1	
-57	0712006-1	STIFFENER -----							1	
-58	0712006-2	STIFFENER -----							1	
-59	0712309-5	BRACKET-PULLEY INBOARD LH SEE FIGURE 98 -----							1	
	0712309-6	BRACKET-PULLEY INBOARD RH SEE FIGURE 98 -----							1	
-60	0712309-7	BRACKET-PULLEY OUTBOARD LH SEE FIGURE 98 -----							1	
	0712309-8	BRACKET-PULLEY OUTBOARD RH SEE FIGURE 98 -----							1	
-61	0712303-1	GUIDE-STABILIZER SEAL LH -----							1	
	0712303-2	GUIDE-STABILIZER SEAL RH -----							1	
-62	NAS680A08	NUTPLATE -----							6	
-63	0791200-7	TAILCONE ASSEMBLY-FUSELAGE SEE FIGURE 38 -----							1	
	0712010-2	BATTERY BOX ASSEMBLY SEE FIGURE 37 -----							1	
		LITTER DOOR INSTALLATION SEE FIGURE 35B -----							1	B
-64	0712760-1	BRACKET ASSEMBLY-SHOULDER HARNESS ATTACH LH -----							1	H
	0712760-2	BRACKET ASSEMBLY-SHOULDER HARNESS ATTACH RH -----							1	H
	NAS698A4	NUTPLATE -----							1	H
-65	0712762-1	SUPPORT-LH -----							1	H
	0712762-2	SUPPORT-RH -----							1	H
-66	0710031-4	SUPPORT ASSEMBLY-BAGGAGE SHELF -----							1	
-67	0712002-1	FITTING-DORSAL FORWARD -----							1	C
	0712304-1	FITTING-DORSAL FORWARD -----							1	D
	NAS395-6-3	NUT -----							2	
-68	0712001-1	FITTING-DORSAL AFT -----							1	C
	0712304-12	FITTING-DORSAL AFT -----							1	D
	NAS395-18-3	NUT -----							2	
-69	1260474-1	BRACKET-EMERGENCY LOCATOR TRANSMITTER -----							1	L
NOTE. *THESE PARTS ARE NOT USED ON AIRCRAFT EQUIPPED WITH LITTER DOOR INSTALLATION.										
A---SERIAL 185-1150 & ON SERIAL 18051775 & ON										
B---SERIAL 185-1150 & ON-LITTER DOOR ONLY SERIAL 18051775 & ON-LITTER DOOR ONLY										
C---SERIAL 185-1150 & ON										
D---SERIAL 18051775 & ON										
E---SERIAL 185-1150 THRU 185-1526 SERIAL 18051775 THRU 18052064										
F---SERIAL 185-1527 & ON SERIAL 18052065 & ON										
G---SERIAL 185-1150 THRU 18501832 SERIAL 18051775 THRU 18052175										
H---SERIAL 18501833 & ON SERIAL 18052176 & ON										
J---SERIAL 185-1150 THRU 18501832-LITTER DOOR ONLY SERIAL 18051775 THRU 18052175-LITTER DOOR ONLY										
K---SERIAL 18501833 & ON-LITTER DOOR ONLY SERIAL 18052176 & ON-LITTER DOOR ONLY										
L---SERIAL 18501935 & ON SERIAL 18052231 & ON										

This page intentionally left blank.

Fuselage (Cont)



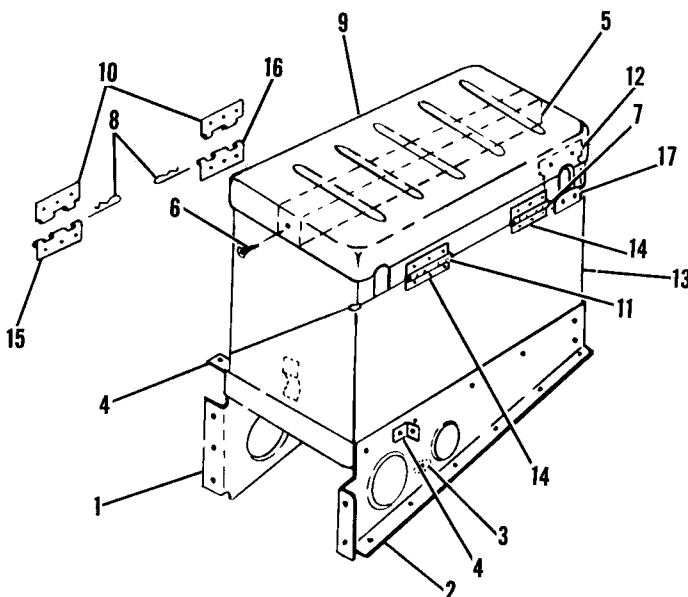
SERIAL 185-1150 & ON
SERIAL 18051775 & ON

Figure 35B. Litter Door Components Installation

FIGURE AND INDEX NO.	PART NUMBER	DESCRIPTION	UNITS PER ASSY	USABLE ON CODE
		1 2 3 4 5 6 7		
358-		LITTER DOOR COMPONENTS INSTALLATION	NP	A
- 1	0712013-10	DOOR ASSEMBLY-LITTER	1	
- 2	0712013-37	HINGE HALF	1	
- 3	CM2692-16-2S	PLUG BUTTON	1	
- 4	C23150-017-4	CLIP TIN	1	
- 5	0712022-1	SUPPORT ASSEMBLY-LITTER DOOR	1	
- 6	0712013-27	LATCH ASSEMBLY-DOOR	1	
- 7	S1441-1	SEAL-* IN LG BULK ITEM REF S1441-1-*	1	
- 8	MS20253-2-3115	PIN-HINGE	1	
- 9	0712013-26	DOUBLER-UPPER STA 108.00	1	
-10	0712013-23	DOUBLER-LOWER STA 108.00	1	
-11	0712013-25	DOUBLER-UPPER STA 140.00	1	
-12	0712013-28	SKIN-UPPER	1	
-13	0712013-29	SKIN-LOWER	1	
-14	0712013-38	HINGE HALF	1	
-15	0712013-31	GUSSET-DOOR JAMB UPPER	1	
-16	0712013-9	JAMB ASSEMBLY-DOOR STA 140.00	1	
-17	0712013-30	GUSSET-DOOR JAMB LOWER	1	
-18	0311319-1	PLATE-STRIKE	1	
		ATTACHING PARTS		
	AN520-10-7	SCREW	2	
	0311319-2	SHIM-STRIKE PLATE	AR	
	MS21044N3	NUT	2	
		---*---		
-19	S1047-1	SEAL-42.0 IN LG BULK ITEM REF S1047-1-42.00	1	
-20	0712013-20	DOUBLER-STA 108.00	1	
-21	0712026-1	DOUBLER-STA 108.00	1	
-22	0712013-18	SUPPORT ASSEMBLY-UPPER	1	
-23	NAS680A08	NUTPLATE	2	B
	NAS680A3	NUTPLATE	2	C
-24	S1863-3	NUTPLATE	1	
-25	0712020-1	ANGLE-STRIKER PLATE	1	
-26	NAS696A3	NUTPLATE	2	
-27	0712013-24	BRACE	1	
-28	0711100-14	BULKHEAD ASSEMBLY-STA 108.00 SEE FIGURE 35A	1	D
	0711100-20	BULKHEAD ASSEMBLY-STA 108.00 SEE FIGURE 35A	1	E
	0712027-1	LATCH ASSEMBLY-LITTER DOOR	2	
-29	0712013-3	LOCKPIN	1	
-30	NAS561-3-10	PIN	3	
-31	AN960-416	WASHER	2	
-32	0742130-1	SPRING	1	
-33	0712030-1	HANDLE	1	
-34	0712028-1	GUIDE ASSEMBLY	1	
-35	0712013-36	SUPPORT-RADIO	2	
-36	0712013-34	ANGLE-RADIO SUPPORT FORWARD	1	
-37	0712013-35	ANGLE-RADIO SUPPORT AFT	1	
-38	0712013-33	BRACKET-RADIO SUPPORT	4	
-39		BAGGAGE DOOR INSTALLATION SEE FIGURE 52	NP	
		NOTE. FOR PARTS SHOWN BUT NOT CALLED OUT ON THIS FIGURE SEE FIGURE 35A.		
		NOTE. *LENGTH TO BE DETERMINED LATER		
		A---SERIAL 185-1150 & ON SERIAL 18051775 & ON		
		B---SERIAL 185-1150 THRU 18501823 SERIAL 18051775 THRU 18052173		
		C---SERIAL 18501824 & ON SERIAL 18052174 & ON		
		D---SERIAL 185-1150 THRU 18501832 SERIAL 18051775 THRU 18052175		
		E---SERIAL 18501833 & ON SERIAL 18052176 & ON		

This page intentionally left blank.

Fuselage (Cont)

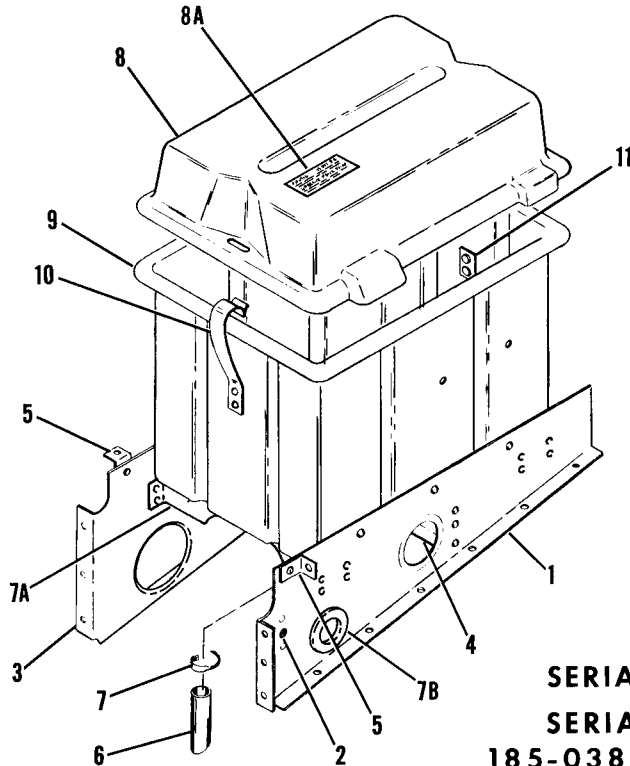


SERIAL 185-0001 THRU 185-0363 & 185-0389

Figure 36. Battery Box Assembly

FIGURE AND INDEX NO.	PART NUMBER	DESCRIPTION	UNITS PER ASSY	USABLE ON CODE
		1 2 3 4 5 6 7		
36 -	0712601	BOX ASSEMBLY-BATTERY -----	1	A
- 1	0712601-2	BRACKET-MOUNTING WHEN EXHAUSTED USE 0712601-6 -----	1	
	0712601-6	BRACKET-MOUNTING -----	1	
- 2	0712601-3	BRACKET ASSEMBLY-MOUNTING WHEN EXHAUSTED USE 0712601-8 --	1	
	0712601-8	BRACKET ASSEMBLY-MOUNTING -----	1	
- 3	NAS680A4	NUTPLATE -----	1	
- 4	0712601-4	BRACKET-CABLE SUPPORT -----	2	
- 5	0413279	SPACER -----	1	
- 6	0712010-3	ATTACHING PARTS TUBE-DRAIN -----	1	
		---*---		
	0412146-1	BOX ASSEMBLY-BATTERY -----	1	
- 7	0412151-5	PIN-HINGE -----	2	
- 8	AN415-2	PIN-LOCK -----	2	
- 9	0412147	BOX ASSEMBLY-UPPER -----	1	
-10	0412151-1	HINGE HALF-LOWER -----	2	
-11	0412151-4	HINGE HALF-UPPER -----	2	
-12	0412470	INSULATOR -----	2	
-13	0412148-1	BOX ASSEMBLY-LOWER -----	1	
-14	0412151-1	HINGE HALF-UPPER -----	2	
-15	0412151-2	HINGE HALF-LOWER RH -----	1	
-16	0412151-3	HINGE HALF-LOWER LH -----	1	
-17	0412471-3	INSULATOR -----	2	
	NAS397-8	CLAMP TIN -----	1	
	S1071-4	TUBE-6.50 IN LG BULK ITEM REF S1071-4-6.50 -----	1	
A---SERIAL 185-0001 THRU 185-0363 & 185-0389				

Fuselage (Cont)



SERIAL 18051184 & ON
 SERIAL 185-0364 THRU
 185-0388 & 185-0390 & ON

Figure 37. Battery Box Assembly

FIGURE AND INDEX NO.	PART NUMBER	DESCRIPTION	UNITS PER ASSY	USABLE ON CODE
		1 2 3 4 5 6 7		
37 -	0712010-1	BOX ASSEMBLY-BATTERY WHEN EXHAUSTED USE 0712010-2	1	A
- 1	0712010-2	BOX ASSEMBLY-BATTERY	1	B
	0712601-3	BRACKET ASSEMBLY WHEN EXHAUSTED USE 0712601-8	1	A
- 2	0712601-8	BRACKET ASSEMBLY	1	B
- 3	NAS680A4K	NUTPLATE	1	
- 4	0712601-2	BRACKET WHEN EXHAUSTED USE 0712601-6	1	A
- 5	0712601-6	BRACKET	1	B
- 6	0512171-1	BRACKET	1	
- 7	0712601-4	BRACKET	2	
- 8	S1071-4	TUBE-2.40 IN LG BULK ITEM REF S1071-4-2.40	1	
- 9		ATTACHING PARTS		
- 10	NAS397-8	CLAMP	1	
- 11		*****		
- 7A	0712655-1	BRACKET	2	B
- 7B	MS35489-22	GROMMET	1	B
- 8	0512167-19	BOX ASSEMBLY-BATTERY	1	
- 8A	0512167-27	COVER ASSEMBLY-BATTERY BOX	1	
- 9	1213535-1	PLACARD	1	
- 10	0512167-25	BASE ASSEMBLY-BATTERY BOX	1	
- 11	0512167-10	LATCH SPRING	2	
- 12	0512167-17	PLATE-LATCH BACKING	2	
		A---SERIAL 185-0364 THRU 185-0388 & 185-0390 THRU 185-0739 SERIAL 18051184 THRU 18051397		
		B---SERIAL 185-0740 & ON SERIAL 18051398 & ON		

This page intentionally left blank.

Fuselage (Cont)

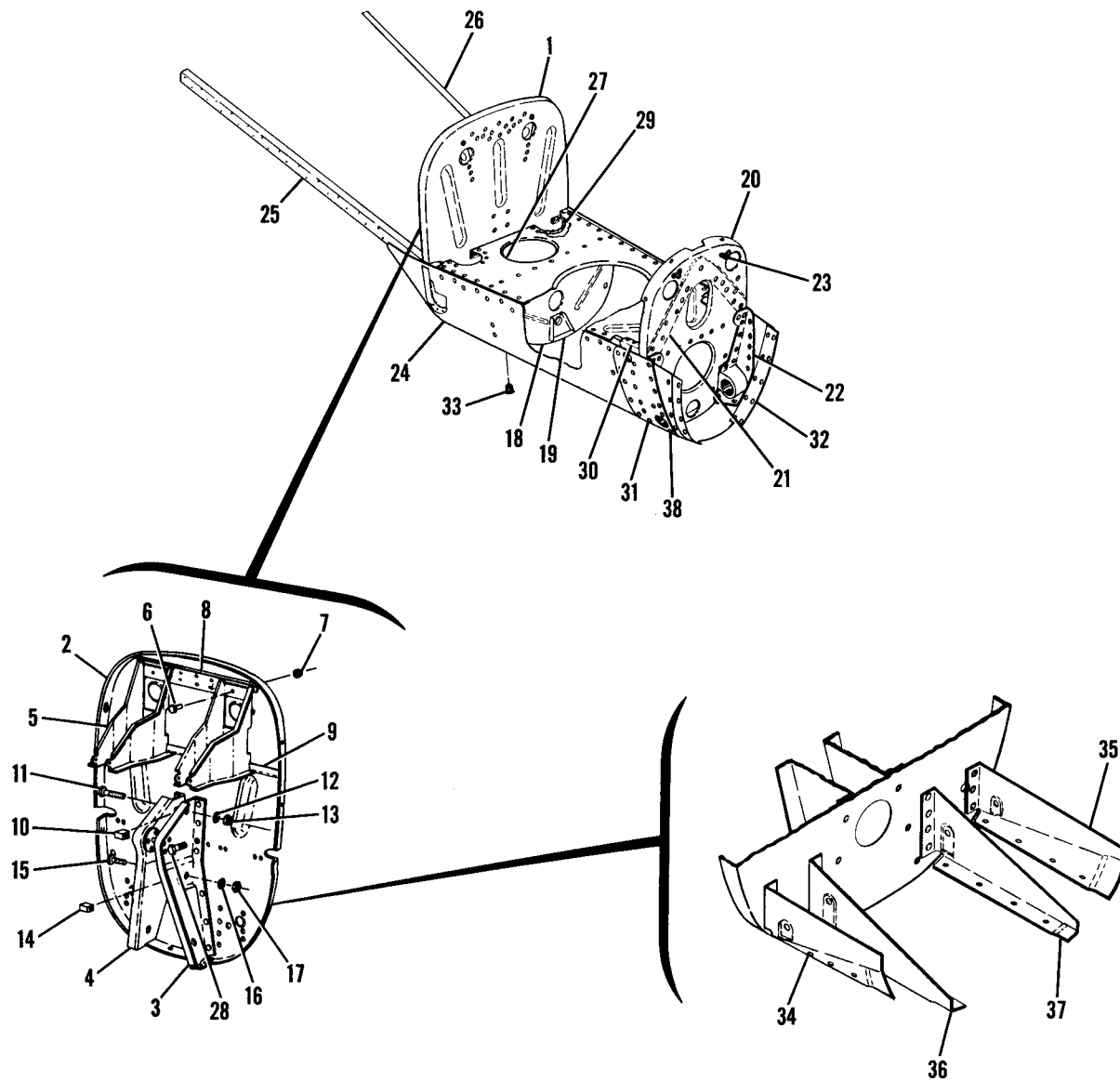


Figure 38. Fuselage Tailcone Assembly



FIGURE AND INDEX NO.	PART NUMBER	DESCRIPTION	UNITS PER ASSY	USABLE ON CODE
38 -	0791200-7	TAILCONE ASSEMBLY-FUSELAGE STA 209.00 TO 230.187	1	
- 1	0712311-15	BULKHEAD ASSEMBLY-TAILCONE STA 209.00	1	
- 2	0712311-7	BULKHEAD-TAILCONE STA 209.00	1	
- 3	0712306-9	BRACKET ASSEMBLY-ELEVATOR BELLCRANK REAR LH	1	
- 4	0712306-10	BRACKET ASSEMBLY-ELEVATOR BELLCRANK REAR RH	1	
- 5	0712309-4	BRACKET-RUDDER BELLCRANK WEU 0712309-15	2	A
	0712309-15	BRACKET-RUDDER BELLCRANK	2	D
		ATTACHING PARTS		
- 6	AN3-3A	BOLT	2	
- 7	MS21044N3	NUT	2	
		-----*		
- 8	0712311-14	DOUBLER	1	
- 9	0712311-3	ANGLE	1	
-10	0510146	STOP-ELEVATOR UPPER	1	
		ATTACHING PARTS		
-11	AN4-12A	BOLT	1	
-12	AN960-416	WASHER	1	
-13	NAS679A4	NUT	1	
		-----*		
-14	0510146-9	STOP-ELEVATOR LOWER	1	
		ATTACHING PARTS		
-15	AN4-14A	BOLT	1	
-16	AN960-416	WASHER	1	
-17	NAS679A4	NUT	1	
		-----*		
-18	0712204-5	BULKHEAD ASSEMBLY-TAILCONE STA 215.687	1	
-19	0712204-4	BRACKET ASSEMBLY-TAILGEAR STA 215.687	1	
	0712205-13	BULKHEAD ASSY-TAILCONE STA 230.187 WEU 0712205-14	1	D
	0712205-14	BULKHEAD ASSY-TAILCONE STA 230.187	1	E
-20	0712205-10	BULKHEAD-TAILCONE STA 230.187	1	
-21	1212011-1	STIFFENER	1	
	1212012-1	DOUBLER-INNER	1	
-22	0712305-3	CASTING-TAILGEAR MOUNTING LH	1	
	0712305-4	CASTING-TAILGEAR MOUNTING RH	1	
-23	NAS680A3	NUTPLATE	2	
	AN3-4A	BOLT-STOP	2	B
	NAS428H3-6	BOLT	2	C
	AN315-3R	NUT	2	C
-24	0712000-7	SKIN-TAILCONE	1	
-25	0712207-1	ANGLE-TAILCONE REINFORCEMENT LH	1	
-26	0712207-2	ANGLE-TAILCONE REINFORCEMENT RH	1	
-27	0712206	BULKHEAD ASSEMBLY-TAILCONE HORIZONTAL	1	
		ATTACHING PARTS		
-28	AN3-5A	BOLT	2	
	AN960-10	WASHER	2	
	MS21044N3	NUT	2	
		-----*		
-29	0712206-2	DOUBLER	1	
-30	0712302-1	BRACKET-STABILIZER HINGE LH	1	
	0712302-2	BRACKET-STABILIZER HINGE RH	1	
-31	0712304-3	FITTING-TAILCONE REINFORCEMENT LH	1	
	0712304-4	FITTING-TAILCONE REINFORCEMENT RH	1	
-32	0712304-10	FITTING-STINGER ATTACHMENT	2	
-33	S349	SCOOP-DRAIN	2	
-34	0712301-1	BRACKET-ACTUATOR HINGE OUTBOARD LH	1	
-35	0712301-2	BRACKET-ACTUATOR HINGE OUTBOARD RH	1	
-36	0712301-3	BRACKET-ACTUATOR HINGE INBOARD LH	1	
-37	0712301-4	BRACKET-ACTUATOR HINGE INBOARD RH	1	
-38	48143	PLUG BUTTON UC	1	
		A---SERIAL 185-0001 THRU 18501636		
		SERIAL 18051184 THRU 18052119		
		B---SERIAL 185-0001 THRU 185-0743		
		SERIAL 18051184 THRU 18051398		
		C---SERIAL 185-0744 & ON		
		SERIAL 18051399 & ON		
		D---SERIAL 18501637 & ON		
		SERIAL 18052120 & ON		
		E---SERIAL 185-0001 THRU 18502027		
		SERIAL 18051184 THRU 18052258		
		F---SERIAL 18502028 & ON		
		SERIAL 18052259 & ON		

Fuselage (Cont)

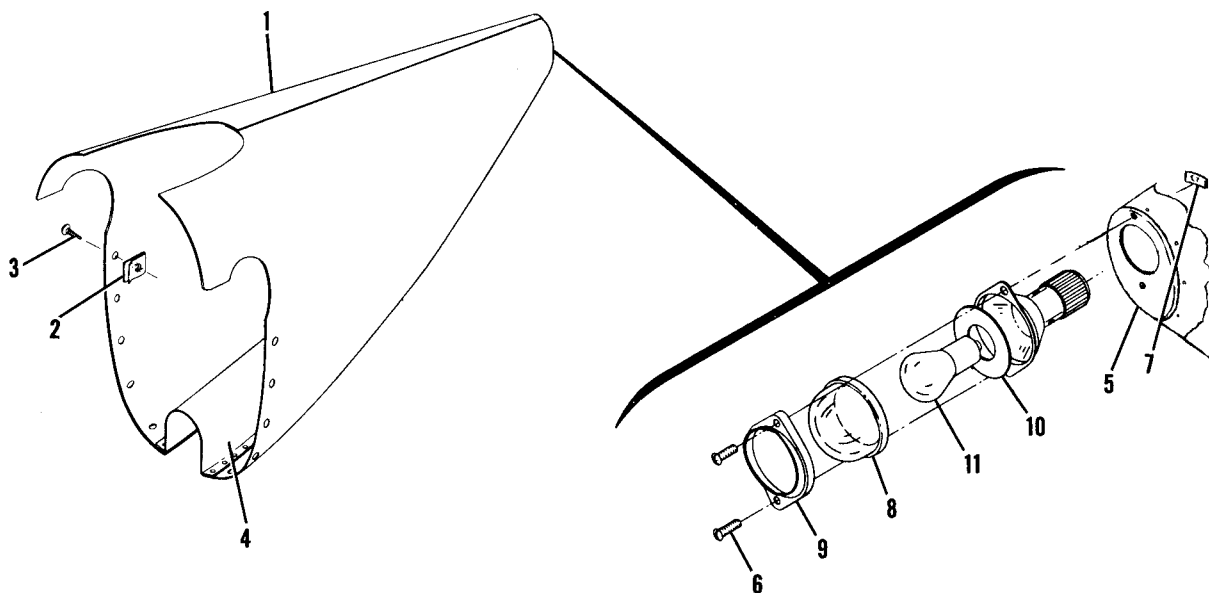
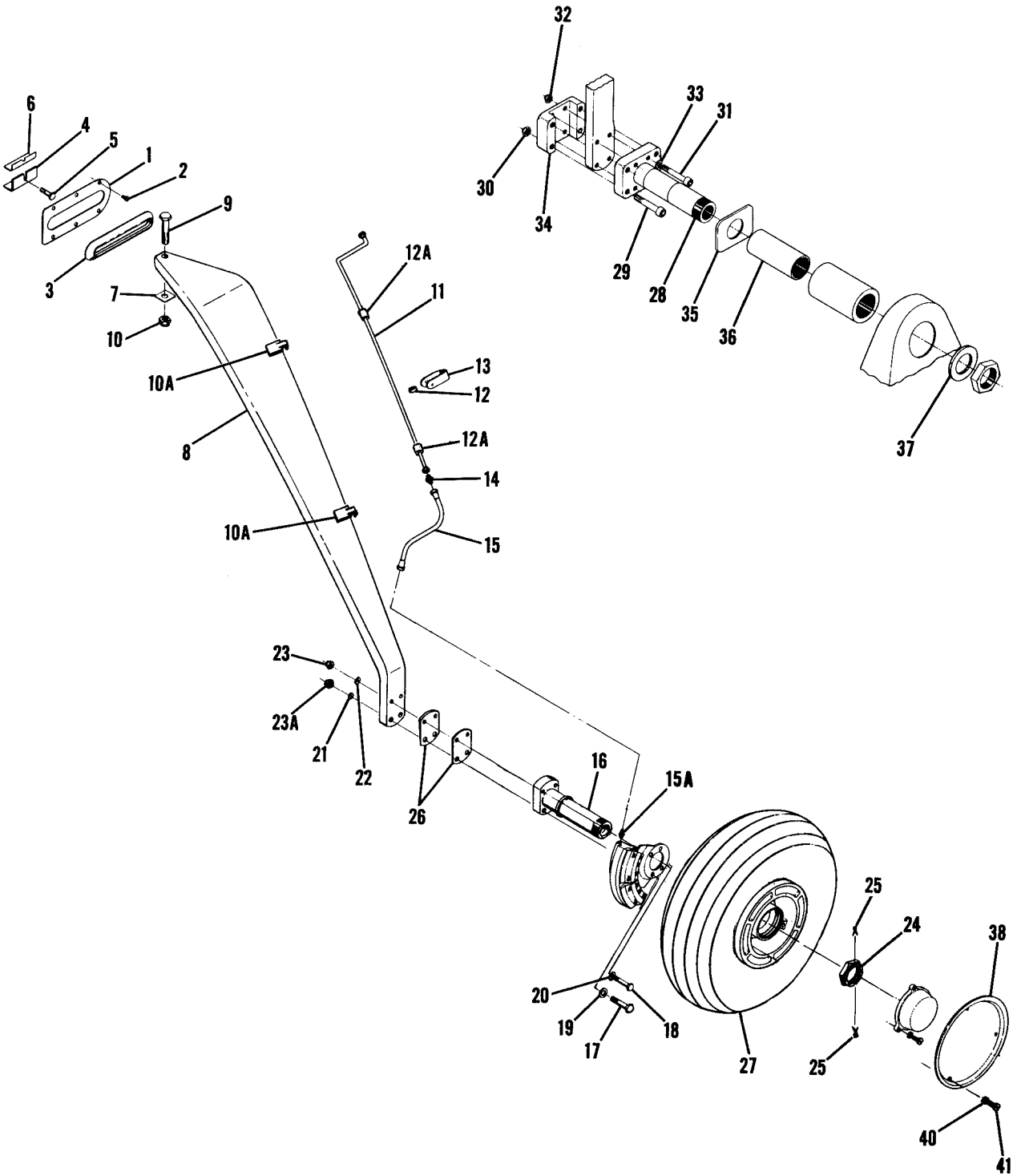


Figure 39. Stinger Installation

FIGURE AND INDEX NO.	PART NUMBER	DESCRIPTION	UNITS PER ASSY	USABLE ON CODE
		1 2 3 4 5 6 7		
39 -		STINGER INSTALLATION -----	NP	
- 1	0712400-11	STINGER ASSEMBLY WHEN EXHAUSTED USE 0712400-13 -----	1	A
	0712400-13	STINGER ASSEMBLY -----	1	C
	0712400-9	STINGER ASSEMBLY WHEN EXHAUSTED USE 0712400-13 -----	1	B
		ATTACHING PARTS		
- 2	NAS395-17-3	NUTPLATE -----	10	
- 3	S1021Z8-8	SCREW -----	10	
		*-----		
- 4	0712400-12	PAN-STINGER -----	1	
- 5	0712400-4	PAN-TAIL LIGHT WEU 0712400-15 -----	1	
	0712400-15	PAN-TAIL LIGHT -----	1	
	0433006-7	LIGHT ASSEMBLY-TAIL WHEN EXHAUSTED USE C622001-0102 -----	1	D
	C622001-0102	LIGHT ASSEMBLY-TAIL -----	1	E
		ATTACHING PARTS		
- 6	S1021Z4-8	SCREW -----	1	
- 7	NAS395-1-3	NUT -----	1	
		*-----		
- 8	A4513-1	LENS-CLEAR GMC -----	1	
- 9	C622001-0104	RETAINER-LENS -----	1	
-10	A2109-3	GASKET GMC -----	1	
-11	1777	LAMP -----	1	D
	1777	LAMP GMC -----	1	E
		A---SERIAL 185-0238 THRU 185-0502		
		B---SERIAL 18051184 THRU 1805147		
		SERIAL 185-0001 THRU 185-0237		
		C---SERIAL 18051472 & ON		
		SERIAL 185-0503 & ON		
		D---SERIAL 18051184 THRU 18051911		
		SERIAL 185-0001 THRU 185-1340		
		E---SERIAL 18051912 & ON		
		SERIAL 185-1341 & ON		

FIGURE AND INDEX NO.	PART NUMBER	DESCRIPTION							UNITS PER ASSY	USABLE ON CODE
		1	2	3	4	5	6	7		
40 -		LANDING GEAR INSTALLATION-MAIN -----							NP	A
- 1	0713018-5	PLATE-LANDING GEAR FILLET LH -----							1	
	0713018-4	PLATE-LANDING GEAR FILLET RH -----							1	
		ATTACHING PARTS								
- 2	S1021Z8-8	SCREW -----							7	
		-----*								
- 3	0713018-3	SEAL-LANDING GEAR -----							2	
- 4	0441115-3	WEDGE-LANDING GEAR SUPPORT WHEN EXHAUSTED USE 0441023-2 -							4	
	0441023-2	WEDGE-LANDING GEAR SUPPORT -----							4	
		ATTACHING PARTS								
- 5	AN4-11A	BOLT -----							2	
	AN960-416	WASHER -----							1	
		-----*								
- 6	0741007-1	SHIM-SPRING ALIGNMENT WHEN EXHAUSTED USE 0741022-1 -----							AR	
	0741022-1	SHIM-SPRING ALIGNMENT .036 THICK -----							AR	
	0741022-2	SHIM-SPRING ALIGNMENT .050 THICK -----							AR	
- 7	0541105	SHIM-SPRING ADJUSTMENT -----							AR	
CONTINUED ON NEXT PAGE										

Aligning Gear



SERIAL 18051313 & ON
SERIAL 185-0001 & ON

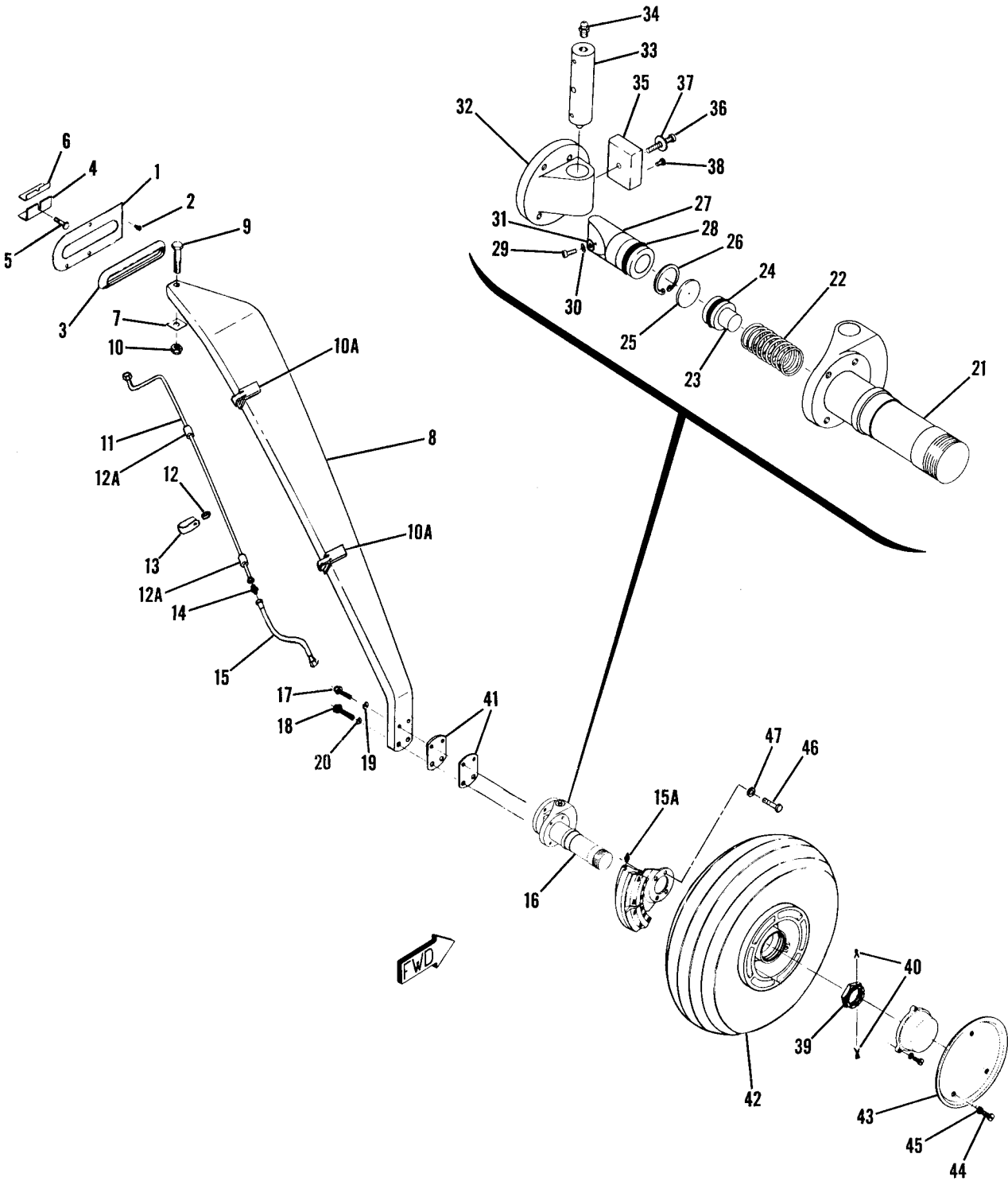
Figure 40. Main Landing Gear Installation



FIGURE AND INDEX NO.	PART NUMBER	DESCRIPTION	UNITS PER ASSY	USABLE ON CODE		
					1	2
40 - 8	0741001-5	SPRING-LANDING GEAR LH WHEN EXHAUSTED USE 0741001-7	1	D		
	0741001-7	SPRING ASSEMBLY-LANDING GEAR LH	1	E		
	0741001-6	SPRING-LANDING GEAR RH WHEN EXHAUSTED USE 0741001-8	1	D		
	0741001-8	SPRING ASSEMBLY-LANDING GEAR RH	1	E		
		ATTACHING PARTS				
- 9	AN7-20A	BOLT	1			
-10	MS20365-720C	NUT	1			
		-----*				
-10A	1441001-2	CLIP-BRAKE LINE	2	E		
-11	0500106-317	LINE-BRAKE	2	D		
	0700147-28	LINE-BRAKE WHEN EXHAUSTED USE 0700147-43	2	F		
	0700147-43	LINE-BRAKE	2	G		
-12	0441119	HOSE-BRAKE LINE PROTECTOR	2	D		
-12A	S1495-3	HOSE-0.50 IN LG BULK ITEM REF S1495-3-0.50	4	E		
-13	0741000-7	BRACKET-BRAKE LINE RETAINING	2	D		
-14	AN815-4D	UNION	2	D		
-15	S1167-4-0120	HOSE ASSEMBLY-BRAKE LINE	2	D		
	S1810-800	HOSE ASSEMBLY-BRAKE LINE	2	E		
-15A	AN816-4D	NIPPLE	2	D		
	AN915-1D	ELBOW	2	E		
-16	1441003-1	AXLE-LANDING GEAR	2			
		ATTACHING PARTS				
-17	NAS146-41	BOLT-LOWER	2			
	NAS146-39	BOLT-LOWER ALT	2			
-18	NAS145-38	BOLT	2			
-19	MS20002C6	WASHER-COUNTERSINK	2			
-20	MS20002C5	WASHER-COUNTERSINK	2			
-21	MS20002-6	WASHER	AR			
-22	MS20002-5	WASHER	AR			
-23	NAS679A5	NUT UPPER	2			
-23A	NAS679A6	NUT LOWER	2			
		-----*				
-24	S1117-24	NUT-AXLE	2			
-25	MS24665-351	PIN-COTTER	4			
-26	0441139-5	SHIM-LANDING GEAR	AR			
	0441139-6	SHIM-LANDING GEAR	AR			
	0541111-2	SHIM-LANDING GEAR	AR			
-27		WHEEL & BRAKE ASSEMBLIES-FIXED GEAR SEE FIGURES 42 & 42A	1			
	0741008-5	AXLE ASSEMBLY-SKI LANDING GEAR SKI ONLY	1			
-28	0741103	AXLE-SKI LANDING GEAR	1			
		ATTACHING PARTS				
-29	NAS146-36	BOLT	6			
-30	NAS679A6	NUT	6			
-31	NAS145-35	BOLT	2			
-32	NAS679A5	NUT	2			
-33	MS20002C5	WASHER	2			
-34	0741008-1	SHOE	1			
		-----*				
-35	0741008-2	WASHER	1			
-36	0741008-4	BUSHING	1			
-37	0741008-3	WASHER	1			
-38	1241063-2	HUB CAP	2			
	0741048-8	HUB CAP	2	B		
		ATTACHING PARTS		C		
-39	AN515-8R4	SCREW	3			
-40	AN936A8	WASHER	3			
		-----*				

- A---SERIAL 185-0001 & ON
SERIAL 18051313 & ON
- B---SERIAL 185-0001 THRU 185-1300
SERIAL 18051313 THRU 18051875
- C---SERIAL 185-1301 & ON
SERIAL 18051876 & ON
- D---SERIAL 185-0001 THRU 185-1341
SERIAL 18051313 THRU 18051909
- E---SERIAL 185-1342 & ON
SERIAL 18051910 & ON
- F---SERIAL 185-1342 THRU 185-1539
SERIAL 18051910 THRU 18052076
- G---SERIAL 185-1540 & ON
SERIAL 18052077 & ON

Aligning Gear (Cont)



SERIAL 185-1150 THRU 185-1447
SERIAL 18051775 THRU 18051993

Figure 40A. Main Landing Gear Installation (Crosswind)

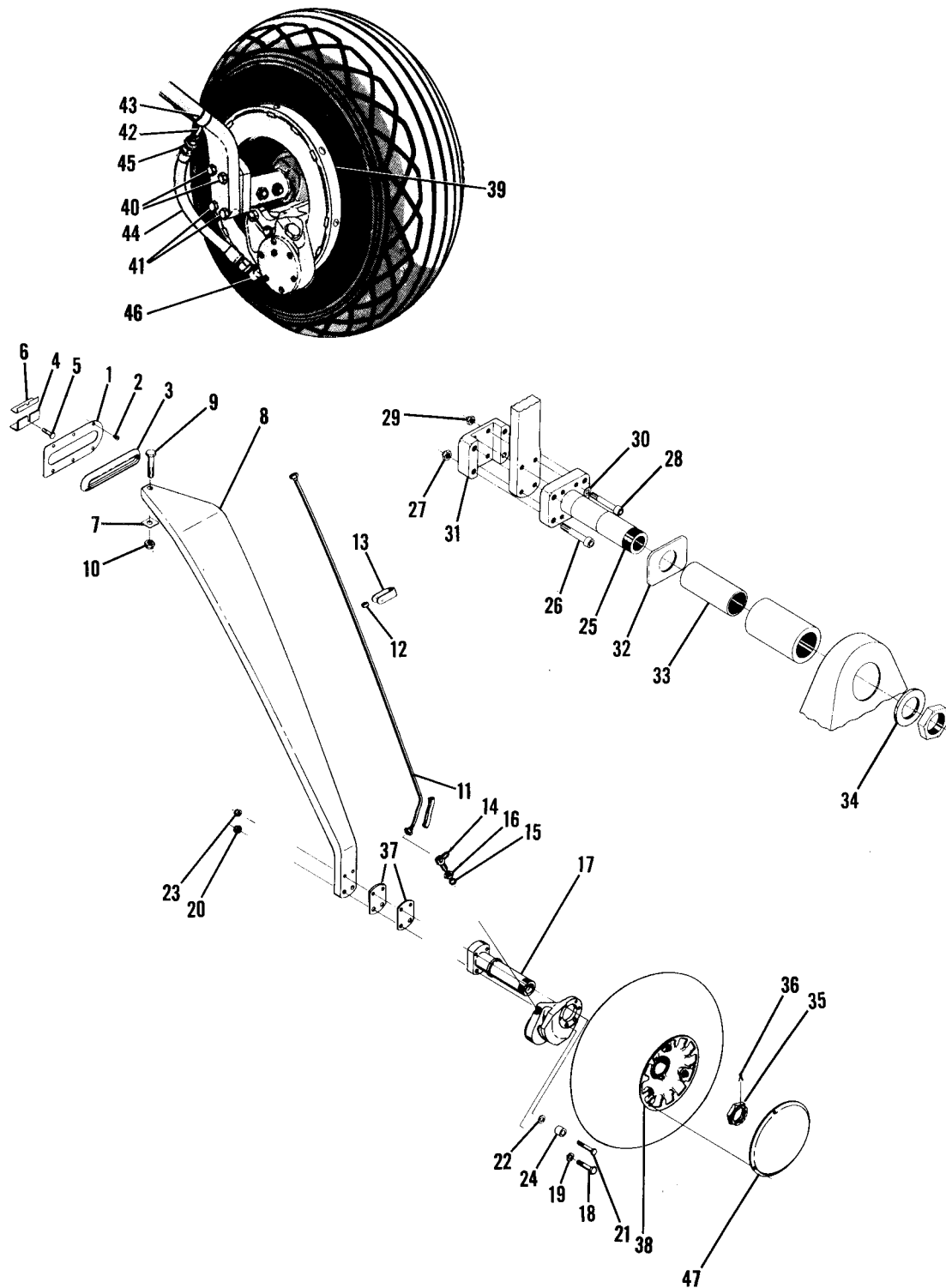
FIGURE AND INDEX NO.	PART NUMBER	DESCRIPTION	UNITS PER ASSY	USABLE ON CODE
		1 2 3 4 5 6 7		
40A-		LANDING GEAR INSTALLATION-MAIN CROSSWIND	NP	A
- 1	0713018-4	PLATE-LANDING GEAR FILLET RH	1	
	0713018-5	PLATE-LANDING GEAR FILLET LH	1	
		ATTACHING PARTS		
- 2	S1021Z8-8	SCREW	6	
		---*---		
- 3	0713018-3	SEAL-LANDING GEAR	2	
- 4	0441023-2	WEDGE-LANDING GEAR SUPPORT	4	
		ATTACHING PARTS		
- 5	AN4-11A	BOLT	1	
	AN960-416	WASHER	1	
		---*---		
- 6	0741022-1	SHIM-SPRING ALIGNMENT	AR	
- 7	0541105	SHIM-SPRING ADJUSTMENT	AR	
- 8	0741001-6	SPRING-LANDING GEAR RH WHEN EXHAUSTED USE 0741001-8	1	D
	0741001-8	SPRING ASSEMBLY-LANDING GEAR RH	1	E
	0741001-5	SPRING-LANDING GEAR LH WHEN EXHAUSTED USE 0741001-7	1	D
	0741001-7	SPRING ASSEMBLY-LANDING GEAR LH	1	E
		ATTACHING PARTS		
- 9	AN7-20A	BOLT	1	
-10	MS20365-720C	NUT	1	
		---*---		
-10A	1441001-2	CLIP-BRAKE LINE	2	E
-11	0500106-317	LINE-BRAKE	2	D
	0700147-28	LINE-BRAKE WHEN EXHAUSTED USE 0700147-43	2	E
-12	0441119	HOSE-BRAKE LINE PROTECTOR	2	D
-12A	S1495-3	HOSE-0.50 IN LG BULK ITEM REF S1495-3-0.50	4	E
-13	0741000-7	BRACKET-BRAKE LINE RETAINING	2	D
-14	AN815-4D	UNION	2	D
-15	S1167-4-0100	HOSE ASSEMBLY-BRAKE LINE	2	D
	S1810-550	HOSE ASSEMBLY-BRAKE LINE	2	E
-15A	MS20823-4D	ELBOW	2	D
	AN915-1D	ELBOW	2	E
-16	0742140-4	AXLE ASSEMBLY-CROSSWIND RH	1	
	0742140-5	AXLE ASSEMBLY-CROSSWIND LH	1	
		ATTACHING PARTS		
-17	NAS145DH23	BOLT-UPPER	2	
-18	NAS146DH23	BOLT-LOWER	2	
-19	MS20002C5	WASHER-UPPER	2	
-20	MS20002C6	WASHER-LOWER	2	
	AN960-516	WASHER-UPPER	AR	
	AN960-516L	WASHER-UPPER	AR	
	AN960-616	WASHER-LOWER	AR	
	AN960-616L	WASHER-LOWER	AR	
		---*---		
-21	0741105-1	AXLE	1	
-22	0742143-1	SPRING	1	
-23	0742141-4	PISTON	1	
-24	AN6227-15	PACKING	1	
-25	0742141-3	ORIFICE	1	
-26	MS16625-112	RING-SNAP	1	
-27	0742141-5	PLUNGER	1	
-28	AN6227-17	PACKING	1	
-29	AN503-8-6	SCREW	1	
-30	AN960-8L	WASHER	1	
-31	600-015-8	STAT-O-SEAL PKSC	1	
-32	0742141-2	ADAPTER-RH	1	
	0742141-1	ADAPTER-LH	1	
		ATTACHING PARTS		
-33	0742141-6	PIN	1	
-34	AN944-101	FITTING-ZERK	2	
-35	0742141-8	STOP	1	
-36	NAS1303-23H	BOLT	1	
-37	AN960-10L	WASHER	1	
-38	AN500A8-5	SCREW	1	
		---*---		
-39	S1117-24	NUT-AXLE	2	
-40	MS24665-351	PIN-COTTER	4	

CONTINUED ON NEXT PAGE

FIGURE AND INDEX NO.	PART NUMBER	DESCRIPTION	UNITS PER ASSY	USABLE ON CODE
		1 2 3 4 5 6 7		
40A-41	0441139-5	SHIM-MAIN LANDING GEAR -----	AR	
	0441139-6	SHIM-MAIN LANDING GEAR -----	AR	
	0541111-2	SHIM-MAIN LANDING GEAR -----	AR	
-42		WHEEL & BRAKE ASSEMBLIES-SEE FIGURE 42B -----	NP	
-43	1241063-2	HUB CAP -----	2	B
	0741048-8	HUB CAP -----	2	C
		ATTACHING PARTS		
-44	AN515-8R4	SCREW -----	3	
-45	AN936A8	WASHER -----	3	
		-----*		
-46	AN5H5A	BOLT -----	4	
-47	AN960-516	WASHER -----	4	
		A---SERIAL 185-1150 THRU 185-1447		
		SERIAL 18051775 THRU 18051993		
		B---SERIAL 185-1150 THRU 185-1300		
		SERIAL 18051775 THRU 18051875		
		C---SERIAL 185-1301 THRU 185-1447		
		SERIAL 18051876 THRU 18051993		
		D---SERIAL 185-1150 THRU 185-1341		
		SERIAL 18051775 THRU 18051909		
		E---SERIAL 185-1342 THRU 185-1447		
		SERIAL 18051910 THRU 18051993		

This page intentionally left blank.

Aligning Gear



SERIAL 18051184 THRU 18051312

Figure 41. Landing Gear Installation



FIGURE AND INDEX NO.	PART NUMBER	DESCRIPTION	UNITS PER ASSY	USABLE ON CODE		
					1	2
41 -		LANDING GEAR INSTALLATION-MAIN -----	NP	A		
- 1	0713018-5	PLATE-LANDING GEAR FILLET LH -----	1			
	0713018-4	PLATE-LANDING GEAR FILLET RH -----	1			
		ATTACHING PARTS -----				
- 2	S102128-8	SCREW -----	7			
		-----*				
- 3	0713018-3	SEAL-LANDING GEAR -----	2			
- 4	0441115-4	WEDGE-LANDING GEAR SUPPORT WHEN EXHAUSTED USE 0441023-2 --	4			
	0441115-3	WEDGE-LANDING GEAR SUPPORT HEAVY DUTY WHEN -----	4			
		EXHAUSTED USE 0441023-2 -----				
	0441023-2	WEDGE-LANDING GEAR SUPPORT -----	4			
		ATTACHING PARTS -----				
- 5	AN4-11A	BOLT -----	1			
	AN960-416	WASHER -----	1			
		-----*				
- 6	0741007-1	SHIM-SPRING ALIGNMENT WHEN EXHAUSTED USE 0741022-1 -----	AR			
	0741022-1	SHIM-SPRING ALIGNMENT -----	AR			
- 7	0541105	SHIM-SPRING ADJUSTMENT -----	AR			
- 8	0741001-3	SPRING-LANDING GEAR LH -----	1			
	0741001-4	SPRING-LANDING GEAR RH -----	1			
	0741001-5	SPRING-LANDING GEAR LH HEAVY DUTY -----	1			
	0741001-6	SPRING-LANDING GEAR RH HEAVY DUTY -----	1			
		ATTACHING PARTS -----				
- 9	AN7-20A	BOLT -----	1			
-10	MS20365-720C	NUT -----	1			
		-----*				
-11	0500106-165	LINE-BRAKE LH -----	1			
	0500106-166	LINE-BRAKE RH -----	1			
-12	0441119	HOSE-BRAKE LINE PROTECTOR -----	2			
-13	0741000-7	BRACKET-BRAKE LINE RETAINING -----	2			
-14	AN833-40	ELBOW -----	2			
-15	MS28778B4	GASKET -----	2			
-16	AN924-40	NUT -----	2			
-17	0541124-1	AXLE-LANDING GEAR -----	2			
	1441003-1	AXLE LANDING GEAR HEAVY DUTY -----	2			
		ATTACHING PARTS -----				
-18	AN6-25A	BOLT-LOWER -----	2			
	NAS146-47	BOLT-LOWER HEAVY DUTY -----	2			
-19	AN960-616	WASHER -----	AR			
	MS20002C6	WASHER HEAVY DUTY -----	AR			
-20	NAS679A6	NUT -----	2			
-21	AN5-25A	BOLT -----	2			
	NAS145-45	BOLT HEAVY DUTY -----	2			
-22	AN960-516	WASHER -----	AR			
	MS20002C5	WASHER HEAVY DUTY -----	AR			
-23	NAS679A5	NUT -----	2			
-24	0541103-16	BUSHING -----	1			
		-----*				
-25	0741008-5	AXLE ASSEMBLY-SKI LANDING GEAR SKI ONLY -----	2			
	0741103	AXLE-SKI LANDING GEAR -----	1			
		ATTACHING PARTS -----				
-26	NAS146-35	BOLT -----	6			
-27	NAS679A6	NUT -----	6			
-28	NAS145-35	BOLT -----	2			
-29	NAS679A5	NUT -----	2			
-30	MS20002C5	WASHER -----	2			
-31	0741008-1	SHOE -----	1			
		-----*				
-32	0741008-2	WASHER -----	1			
-33	0741008-4	BUSHING -----	1			
-34	0741008-3	WASHER -----	1			
-35	S1117-24	NUT-AXLE -----	2			
-36	MS24665-351	PIN-COTTER -----	2			
-37	0441139-5	SHIM-LANDING GEAR -----	AR			
	0441139-6	SHIM-LANDING GEAR -----	AR			
	0541111-2	SHIM-LANDING GEAR -----	AR			

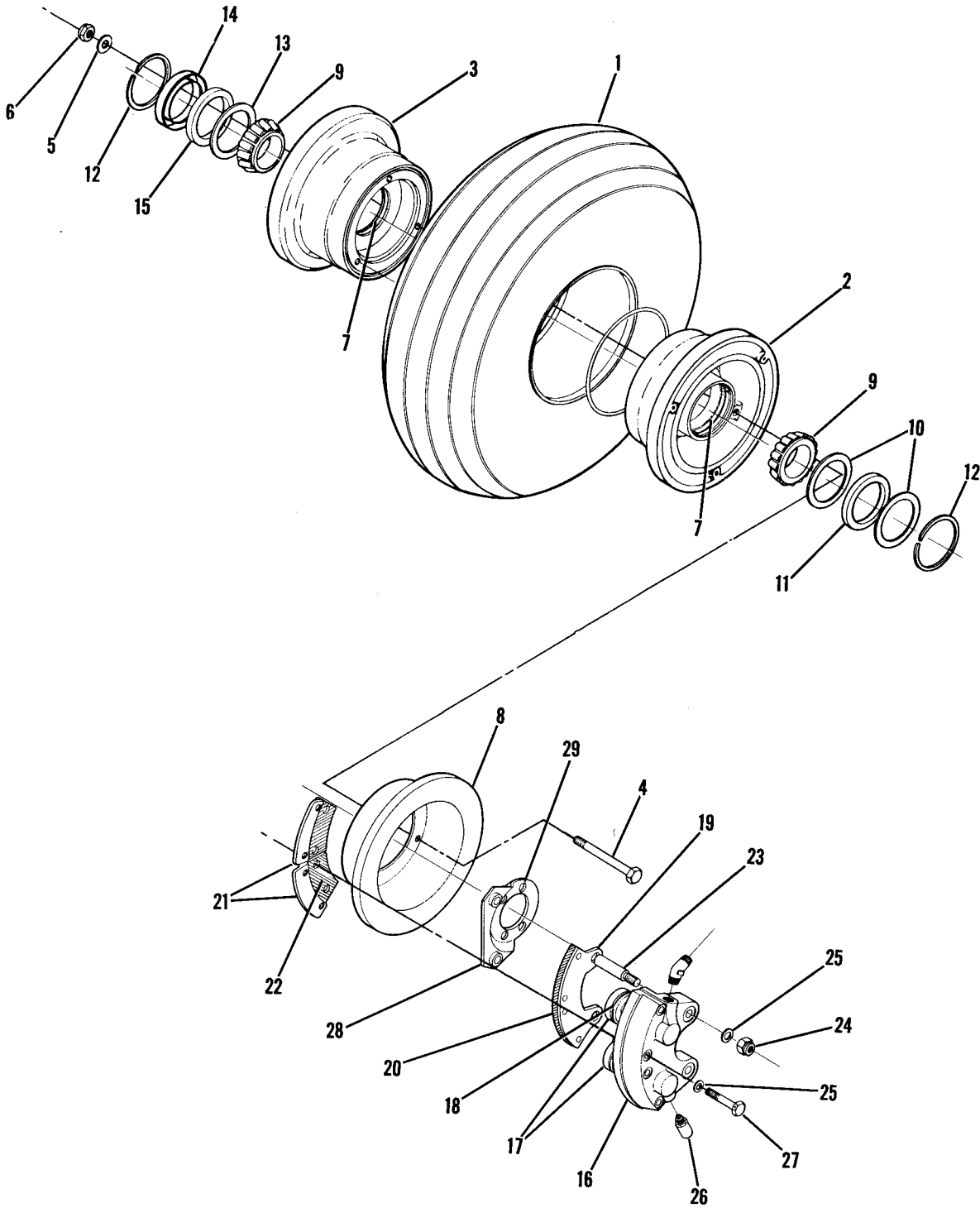
CONTINUED ON NEXT PAGE

FIGURE AND INDEX NO.	PART NUMBER	DESCRIPTION	UNITS PER ASSY	USABLE ON CODE
		1 2 3 4 5 6 7		
41 -38		WHEEL & BRAKE ASSEMBLIES-FIXED GEAR SEE ----- FIGURE 42A & 43	1	
-39		CROSSWIND GEAR INSTALLATION -----	1	
	0441150-8	WHEEL & BRAKE ASSEMBLIES-CROSSWIND GEAR SEE FIGURE 44 -	1	
	0441150-9	WHEEL BRAKE & COLLAR ASSEMBLY-CROSSWIND LH -----	1	
		WHEEL BRAKE & COLLAR ASSEMBLY-CROSSWIND RH -----	1	
		ATTACHING PARTS		
-40	AN5H12	BOLT -----	2	
	AN960-516	WASHER -----	2	
-41	AN76-11	BOLT -----	2	
	AN960-616L	WASHER -----	2	
		-----*		
-42	0500106-169	LINE-BRAKE -----	1	
		ATTACHING PARTS		
-43	0741004	CLAMP -----	1	
	0441119	HOSE-BRAKE LINE PROTECTOR -----	1	
	NAS679A08	NUT -----	1	
	AN515-8R10	SCREW -----	1	
		-----*		
-44	S1167-4-0100	HOSE ASSEMBLY-BRAKE LINE -----	1	
-45	AN815-4D	UNION -----	1	
-46	AN775-4	BOLT -----	1	
	AN776-4D	ELBOW -----	1	
	AN901-4C	GASKET -----	2	
-47	1241063-2	HUB CAP -----	2	
		ATTACHING PARTS		
	AN515-8R4	SCREW -----	3	
	AN936A8	WASHER -----	3	
		-----*		
<p>NOTE. *USE 0441115-3 WEDGE WITH HEAVY DUTY LANDING GEAR SPRINGS 0741001-5 & -6 ONLY</p> <p>A---SERIAL 18051184 THRU 18051312</p>				

This page intentionally left blank.

FIGURE AND INDEX NO.	PART NUMBER	DESCRIPTION	UNITS PER ASSY	USABLE ON CODE
42 -		1 2 3 4 5 6 7		
- 1	C262003-0304	WHEEL & BRAKE ASSEMBLY-MAIN LANDING GEAR -----	NP	C
	C262003-0308	TIRE-TUBELESS 6.00X6 6 PLY -----	1	A
	C262003-0204	TIRE-TUBELESS 8.00X6 6 PLY -----	1	A
	C262003-0207	TIRE 6.00X6 6 PLY -----	1	B
	C262023-0102	TIRE 8.00X6 6 PLY -----	1	B
	C262023-0104	TUBE 6.00X6 -----	1	B
	0741026-3	TUBE 8.00X6 -----	1	B
	0441156-18	WHEEL ASSEMBLY CEP 40-32 -----	1	A
- 2	162-4	WHEEL ASSEMBLY CEP 40-66 -----	1	B
	162-10	WHEEL HALF ASSEMBLY-OUTER CFP -----	1	A
- 3	161-4	WHEEL HALF ASSEMBLY-OUTER CFP -----	1	B
	161-25	WHEEL HALF ASSEMBLY-INNER CFP -----	1	A
- 4	13836	WHEEL HALF ASSEMBLY-INNER CFP -----	1	B
- 5	164-7	CUP-BEARING CFP -----	1	
- 6	1866-30	BRAKE DISC ASSEMBLY CFP -----	1	
- 7	13889	O RING CFP -----	1	A
- 8	156-1	BEARING-CONE CFP -----	2	
- 9	39091	PLATE-GREASE SEAL CFP -----	1	
-10	B39094	FELT-GREASE SEAL CFP -----	1	
		RING-GREASE SEAL CFP -----	1	
		ATTACHING PARTS		
-11	8-32X1/2	SCREW CFP -----	3	
-12	1208	WASHER-LOCK CFP -----	3	
		*-----		
-13	38520A	HUB CAP CFP -----	1	
		ATTACHING PARTS		
-14	8-32X1/2	SCREW CFP -----	3	
-15	1208	WASHER CFP -----	3	
		*-----		
-16	27-121	DUST-SHIELD CFP -----	1	
		ATTACHING PARTS		
-17	10-24X1/2	SCREW CFP -----	1	
-18	1210	WASHER CFP -----	1	
		*-----		
-19	AN4-40A	BOLT -----	3	
-20	AN960-416	WASHER -----	3	
-21	NAS679A4	NUT -----	3	
	0741027-2	BRAKE ASSEMBLY-MAIN LANDING GEAR -----	1	
-22	61-7	CYLINDER-BRAKE CFP -----	1	
-23	3002	PISTON CFP -----	2	
-24	AN6227B23	O RING CFP -----	2	
-25	73-4	PLATE ASSEMBLY-PRESSURE CFP -----	1	
-26	66-3	LINING CFP -----	1	
	561	RIVET CFP -----	6	
-27	68-7	SHIM CFP -----	1	
-28	75-15	PLATE ASSEMBLY-TORQUE CFP -----	1	
-29	74-2	PLATE ASSEMBLY-BACK CFP -----	2	
-30	66-2	LINING CFP -----	1	
	561	RIVET CFP -----	3	
-31	AN4H16A	BOLT -----	4	
-32	AN960-416L	WASHER -----	4	
-33	3013	BOLT-ANCHOR CFP -----	2	
-34	NAS679A6	NUT -----	2	
-35	AN960-616L	WASHER -----	2	
-36	AN816-4D	FITTING -----	1	
-37	183-1	CAP-BLEEDER CFP -----	1	
	FC6446	SCREW-BLEEDER CFP -----	1	
	37206	SEAT-BLEEDER CFP -----	1	
-38	145-10	BUSHING-TORQUE PLATE CFP -----	2	
	R561	RIVET SET KIT CFP -----	1	
		A---SERIAL 185-0001 THRU 185-0512		
		B---SERIAL 185-0513 THRU 185-0653		
		C---SERIAL 185-0001 THRU 185-0653		

Landing Gear (Cont)



SERIAL 185-0654 & ON
SERIAL 18051313 & ON

Figure 42A. Main Landing Gear Wheel and Brake Installation



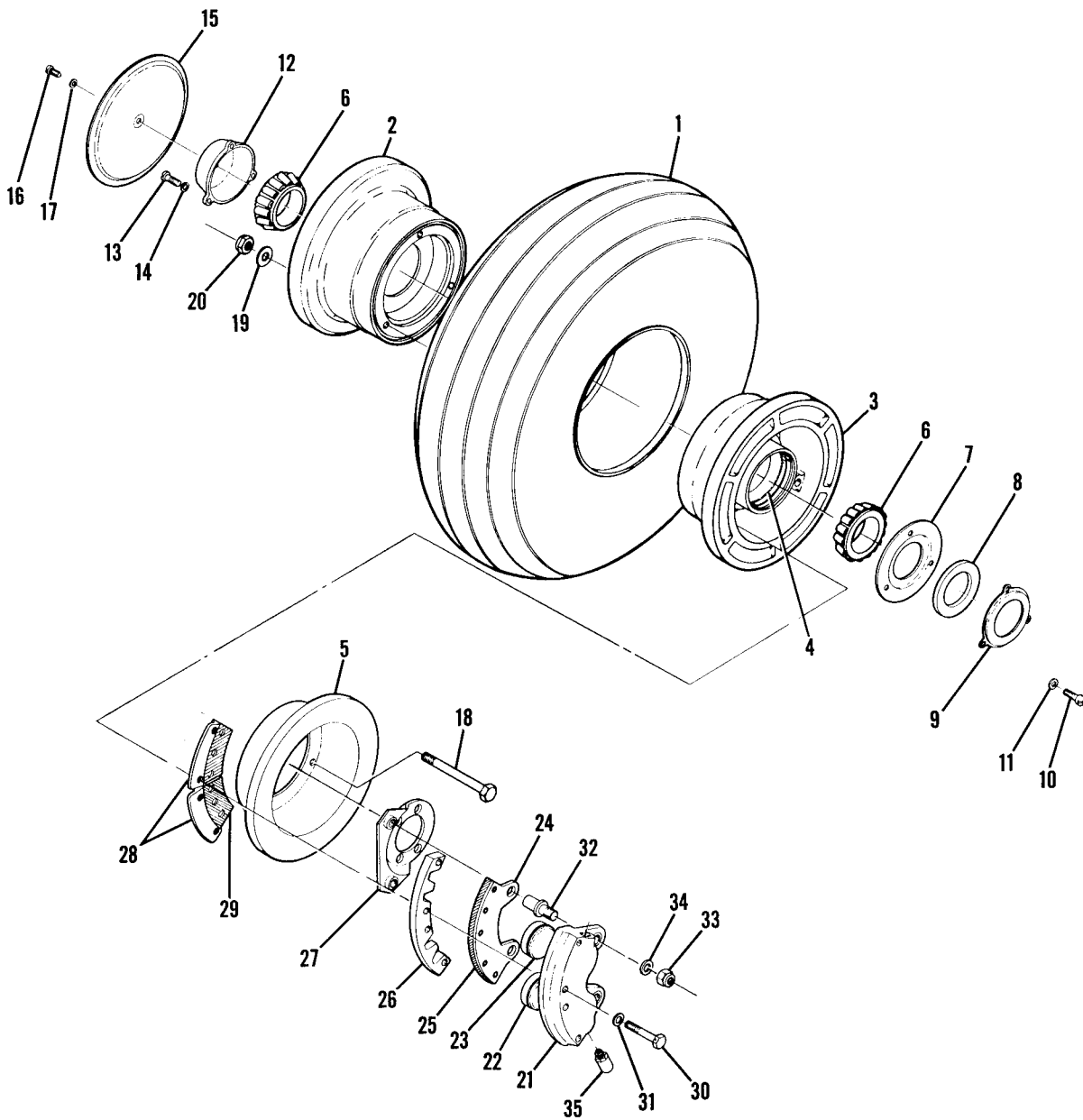
FIGURE AND INDEX NO.	PART NUMBER	DESCRIPTION							UNITS PER ASSY	USABLE ON CODE
		1	2	3	4	5	6	7		
42A-		MAIN LANDING GEAR WHEEL AND BRAKE INSTALLATION -----							NP	A
- 1	C262003-0204	TIRE 6.00X6 6 PLY RATED -----							1	
	C262003-0207	TIRE 8.00X6 6 PLY RATED -----							1	
	C262023-0102	TUBE 6.00X6 -----							1	
	C262023-0104	TUBE 8.00X6 -----							1	
	1241156-10	WHEEL ASSEMBLY CFP 40-75 WHEN EXHAUSTED -----							1	B
	C163001-0301	USE C163001-0301							1	C
	C163001-0302	WHEEL ASSEMBLY CFP 40-75B -----							1	F
- 2	161-30	WHEEL ASSEMBLY CFP 40-75D -----							1	
- 3	162-27	WHEEL HALF ASSEMBLY-INNER CFP -----							1	
		WHEEL HALF ASSEMBLY-OUTER CFP -----							1	
		ATTACHING PARTS								
- 4	AN5-35A	BOLT -----							3	
- 5	AN960-516	WASHER -----							3	
- 6	NAS679A5	NUT -----							3	
		-----*								
- 7	13836	CUP-BEARING CFP -----							1	
- 8	164-15K	BRAKE DISC ASSEMBLY CFP WHEN EXHAUSTED -----							1	B
		USE 164-15A								
	164-15A	BRAKE DISC ASSEMBLY CFP USED WITH -----							1	C
		C163001-0301 WHEEL ASSY ONLY								
	164-03600	BRAKE DISC ASSEMBLY CFP USED WITH -----							1	F
		C163001-0302 WHEEL ASSY ONLY								
- 9	13889	CONE-BEARING CFP -----							2	
-10	3022	RING-GREASE SEAL CFP -----							2	
-11	3021	FELT-GREASE SEAL CFP -----							1	
-12	3023	RING-SNAP CFP -----							2	
-13	A39070	RING-GREASE SEAL CFP -----							1	
-14	153-15	RING-GREASE SEAL CFP -----							1	
-15	154-13	FELT-GREASE SEAL CFP -----							1	
	1241157-1	BRAKE ASSEMBLY CFP 30-52 WHEN EXHAUSTED -----							1	D
		USE C163030-0303								
	C163030-0303	BRAKE ASSEMBLY CFP 30-52 -----							1	E
	C163030-0305	BRAKE ASSEMBLY CFP 30-52D WEU C163030-0313 -----							1	G
	C163030-0313	BRAKE ASSEMBLY CFP 30-52N -----							1	H
-16	61-18	CYLINDER-BRAKE CFP -----							1	
-17	62-15	PISTON CFP -----							2	
-18	AN6227B27	O RING -----							2	
-19	73-10	PLATE ASSEMBLY-PRESSURE CFP -----							1	
-20	66-30	LINING CFP -----							2	
	561	RIVET CFP -----							4	
-21	74-10	PLATE ASSEMBLY-BACK CFP -----							2	
-22	66-30	LINING CFP -----							1	
	561	RIVET CFP -----							2	
-23	69-4	BOLT-ANCHOR CFP -----							2	
-24	NAS679A4	NUT -----							2	
-25	AN960-416L	WASHER -----							6	
-26	183-1	CAP-BLEEDER CFP -----							1	
	FC6446	SCREW-BLEEDER CFP -----							1	
	37-206	SEAT-BLEEDER CFP -----							1	
-27	LP4-20AM	BOLT CFP -----							4	

CONTINUED ON NEXT PAGE

FIGURE AND INDEX NO.	PART NUMBER	DESCRIPTION	UNITS PER ASSY	USABLE ON CODE
42A-28	75-15	PLATE ASSEMBLY-TORQUE CFP USED ----- WITH 1241157-1 & C163030-0303 ASSY ONLY	1	
	075-05400	PLATE ASSEMBLY-TORQUE CFP USED ----- WITH C163030-0305 ASSY ONLY WEU 075-05401	1	G
-29	075-05401	PLATE ASSEMBLY-TORQUE CFP USED ----- WITH C163030-0305 & C163030-0313 ASSY ONLY	1	H
	145-10	BUSHING-TORQUE PLATE CFP -----	2	
	R561	RIVET SET KIT CFP -----	1	
<p>NOTE. *THESE ASSYS ARE NOT USED ON AIRCRAFT EQUIPPED WITH 8.00X6 TIRES SERIALS 185-1471 & ON & 18052011 & ON.</p> <p>NOTE. #THESE ASSYS ARE USED ONLY ON AIRCRAFT EQUIPPED WITH 8.00X6 TIRES SERIALS 185-1471 & ON & 18052011 & ON.</p> <p>NOTE. *BRAKE ASSY DESCRIBED IS NORMALLY LH, REVERSE FITTINGS & TORQUE PLATE BUSHINGS FOR RH INSTALLATION.</p> <p>A---SERIAL 185-0654 & ON SERIAL 18051313 & ON</p> <p>B---SERIAL 185-0654 THRU 185-1095 SERIAL 18051313 THRU 18051752</p> <p>C---SERIAL 185-1096 & ON SERIAL 18051753 & ON</p> <p>D---SERIAL 185-0654 THRU 185-1336 SERIAL 18051313 THRU 18051907</p> <p>E---SERIAL 185-1337 & ON SERIAL 18051908 & ON</p> <p>F---SERIAL 185-1471 & ON SERIAL 18052011 & ON</p> <p>G---SERIAL 185-1471 THRU 18501878 SERIAL 18052011 THRU 18052195</p> <p>H---SERIAL 18501879 & ON SERIAL 18052196 & ON</p>				

This page intentionally left blank.

Aligning Gear (Cont)



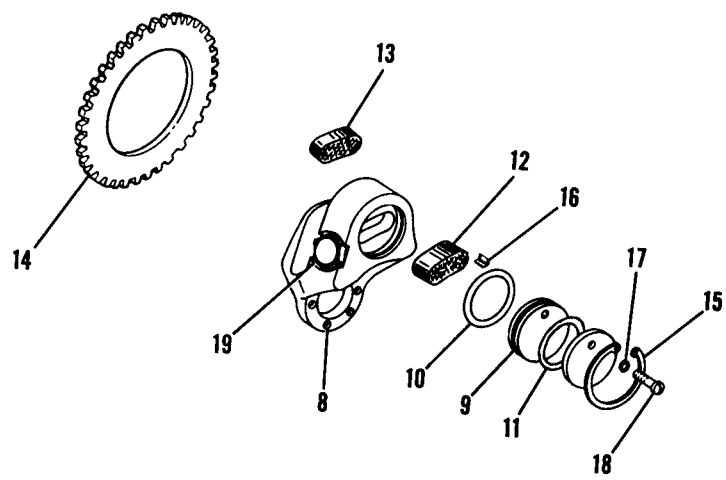
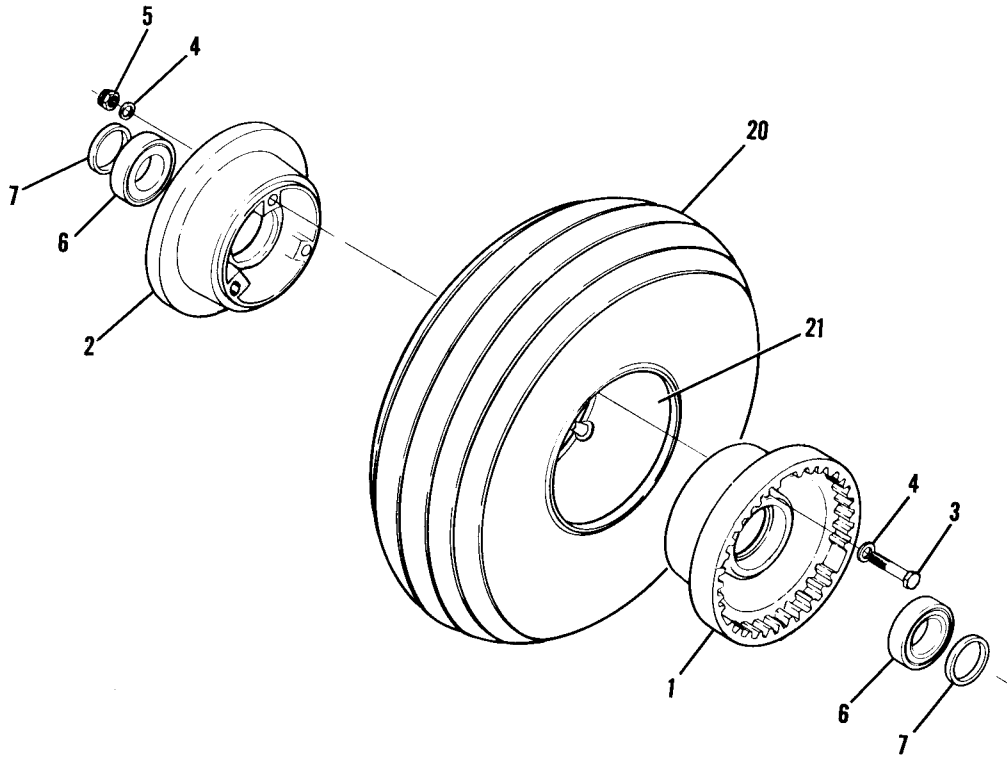
SERIAL 185-1150 THRU 185-1447
SERIAL 18051775 THRU 18051993

Figure 42B. Main Landing Gear Wheel & Brake Assembly-Crosswind



FIGURE AND INDEX NO.	PART NUMBER	DESCRIPTION							UNITS PER ASSY	USABLE ON CODE
		1	2	3	4	5	6	7		
42B-		WHEEL & BRAKE ASSEMBLY—MAIN LANDING GEAR CROSSWIND -----							NP	A
- 1	C262003-0204	TIRE 6.00X6 6 PLY -----							1	
	C262003-0207	TIRE 8.00X6 6 PLY -----							1	
	C262023-0102	TUBE 6.00X6 -----							1	
	C262023-0104	TUBE 8.00X6 -----							1	
	0441156-18	WHEEL ASSEMBLY CFP 40-66 -----							1	
- 2	162-10	WHEEL HALF ASSEMBLY-OUTER CFP -----							1	
- 3	161-25	WHEEL HALF ASSEMBLY-INNER CFP -----							1	
- 4	13836	CUP-BEARING -----							1	
- 5	164-7	BRAKE DISK ASSEMBLY CFP -----							1	
- 6	13889	BEARING-CONE CFP -----							1	
- 7	156-1	PLATE-GREASE SEAL CFP -----							1	
- 8	39091	SEAL-FELT GREASE CFP -----							1	
- 9	839094	RING-GREASE SEAL CFP -----							1	
		ATTACHING PARTS								
-10	8-32X1/2	SCREW CFP -----							3	
-11	1208	WASHER-LOCK CFP -----							3	
		*-----								
-12	38520A	HUB CAP CFP -----							1	
		ATTACHING PARTS								
-13	8-32X1/2	SCREW CFP -----							3	
-14	1208	WASHER-LOCK CFP -----							3	
		*-----								
-15	27-121	DUST SHIELD CFP -----							1	
		ATTACHING PARTS								
-16	10-24X1/2	SCREW CFP -----							1	
-17	1210	WASHER CFP -----							1	
		*-----								
-18	AN4-40A	BOLT -----							3	
-19	AN960-416	WASHER -----							3	
-20	NAS679A4	NUT -----							3	
	0741027-201	BRAKE ASSEMBLY—MAIN LANDING GEAR LH -----							1	
	0741027-200	BRAKE ASSEMBLY—MAIN LANDING GEAR RH -----							1	
-21	61-7	CYLINDER-BRAKE CFP -----							1	
-22	3002	PISTON CFP -----							2	
-23	AN6227823	O-RING CFP -----							2	
-24	73-4	PLATE ASSEMBLY—PRESSURE CFP -----							1	
-25	3007	LINING CFP -----							1	
	561	RIVET CFP -----							6	
-26	68-7	SHIM CFP -----							1	
-27	0742144-1	TORQUE PLATE ASSEMBLY-LH -----							1	
	0742144-2	TORQUE PLATE ASSEMBLY-RH -----							1	
-28	74-2	PLATE ASSEMBLY—BACK CFP -----							2	
-29	3006	LINING CFP -----							1	
	561	RIVET CFP -----							3	
-30	AN4H16A	BOLT -----							4	
-31	AN960-416L	WASHER -----							4	
-32	3013	BOLT-ANCHOR CFP -----							2	
-33	NAS679A6	NUT -----							2	
-34	AN960-616L	WASHER -----							2	
-35	183-1	CAP-BLEEDER CFP -----							1	
	FC6446	SCREW-BLEEDER CFP -----							1	
	37206	SEAT-BLEEDER CFP -----							1	
	R561	RIVET SET KIT CFP -----							1	
		A---SERIAL 185-1150 THRU 185-1447								
		SERIAL 18051775 THRU 18051993								

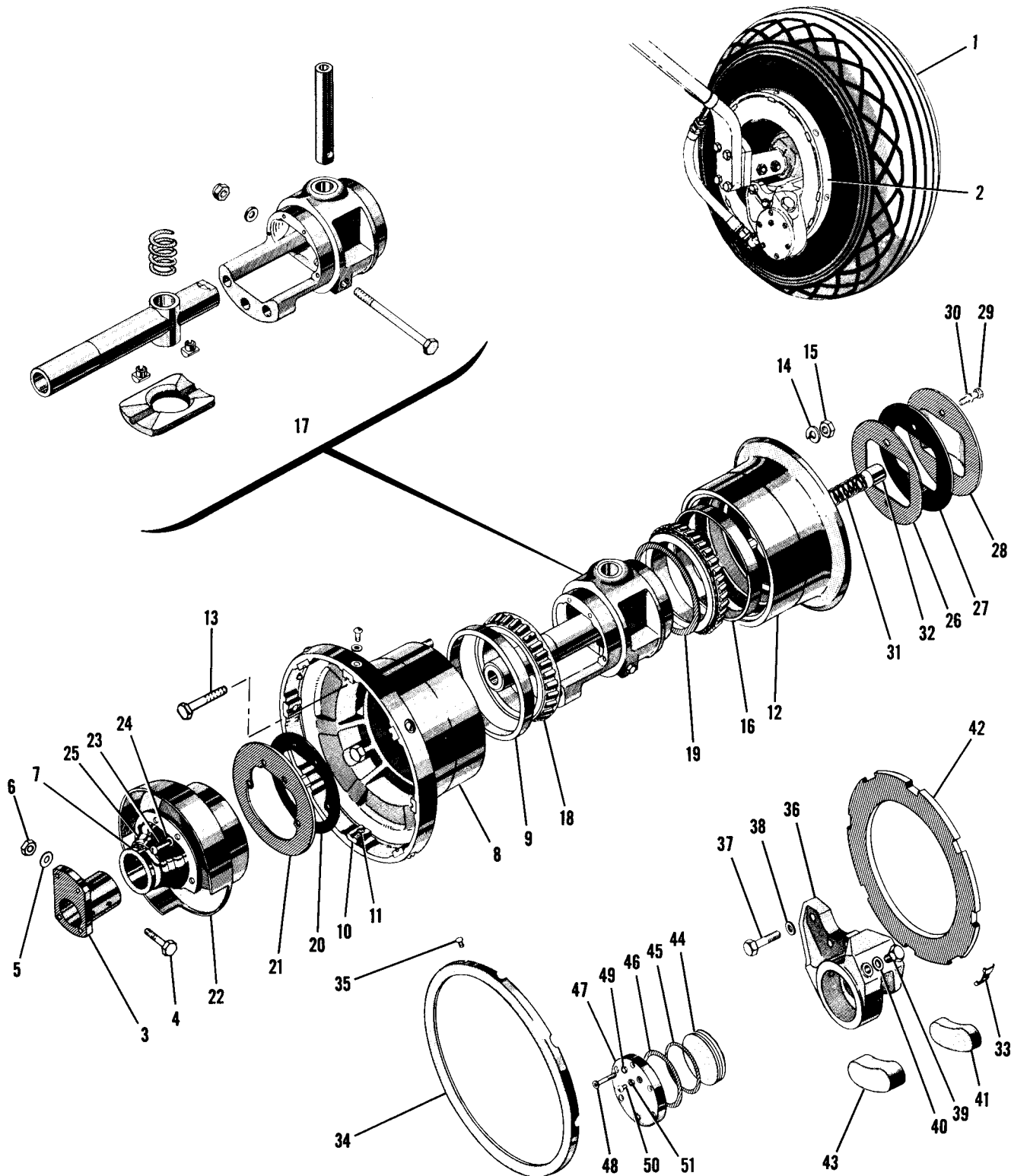
Alighting Gear (Cont)



SERIAL 18051184 THRU 18051312

Figure 43. Main Landing Gear Wheel & Brake Assembly

FIGURE AND INDEX NO.	PART NUMBER	DESCRIPTION	UNITS PER ASSY	USABLE ON CODE
		1 2 3 4 5 6 7		
43 -		WHEEL & BRAKE ASSEMBLY-MAIN LANDING GEAR -----	NP	A
- 1	0541183-9	WHEEL ASSEMBLY-MAIN LANDING GEAR GY9532522 -----	1	
- 2	9524201	WHEEL SUB ASSEMBLY-INBOARD HALF GY -----	1	
	9524318	WHEEL SUB ASSEMBLY-OUTBOARD HALF GY -----	1	
		ATTACHING PARTS -----		
- 3	AN4-13A	BOLT -----	3	
- 4	AN960-416	WASHER -----	6	
- 5	22FH428	NUT SPS -----	3	
		*-----		
- 6	13889	CONE-BEARING TIMKEN -----	2	
	13830	CUP-BEARING TIMKEN -----	1	
- 7	9524218	SEAL-BEARING GY -----	2	
	0541161-2	BRAKE ASSEMBLY GY9532181 -----	1	
- 8	9541458	HOUSING-BRAKE GY -----	1	
	9521184	BUSHING GY -----	1	
- 9	9524223	PISTON GY -----	1	
-10	AN6230B2	O RING -----	1	
-11	AN6230B3	O RING -----	1	
-12	9511269	LINING-PISTON GY -----	1	
-13	9511271	LINING-PISTON GY -----	1	
-14	9532277	DISC-BRAKE GY -----	1	
	9524343	CYLINDER HEAD GY -----	1	
		ATTACHING PARTS -----		
-15	MS16625-212	RING-SNAP -----	1	
		*-----		
-16	9524463	CLIP-BRAKE GY -----	3	
-17	511846-4	SEAL-BLEEDER -----	1	
-18	AN502-10-6	SCREW -----	1	
-19	9520448	PLUG-DRAIN GY -----	1	
	MS28778-4	GASKET-DRAIN PLUG -----	1	
-20	C262003-0204	TIRE 6.00 X 6 6 PLY -----	1	
	C262003-0205	TIRE 7.00 X 6 4 PLY OPT -----	1	
	C262003-0207	TIRE 8.00X6 6 PLY OPT -----	1	
-21	C262023-0102	TUBE 6.00X6 -----	1	
	C262023-0103	TUBE 7.00X6 OPT -----	1	
	C262023-0104	TUBE 8.00X6 OPT -----	1	
<p>NOTE. *WHEN ORDERING THIS PART ALSO ORDER 9521184 BUSHING</p> <p>NOTE. #13830 CUP-BEARING IS INCLUDED IN 9524201 & 9524318 WHEEL HALF SUB ASSEMBLIES</p> <p>A---SERIAL 18051184 THRU 18051312</p>				



SERIAL 18051184 THRU 18051312

Figure 44. Crosswind Wheel and Brake Assembly

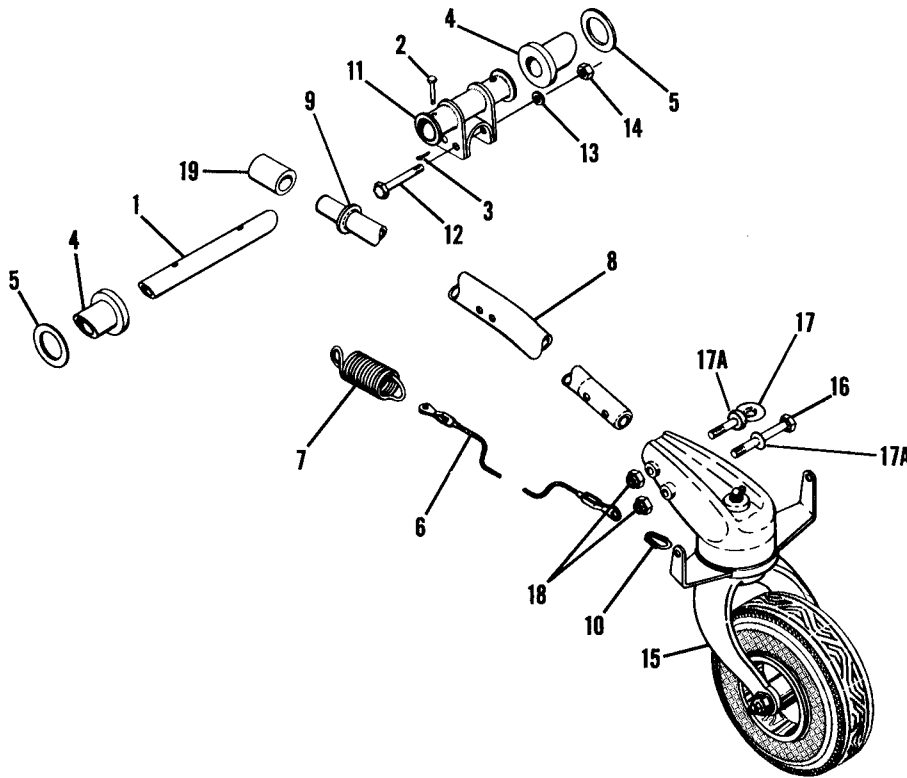
FIGURE AND INDEX NO.	PART NUMBER	DESCRIPTION	UNITS PER ASSY	USABLE ON CODE
		1 2 3 4 5 6 7		
44 -		WHEEL & BRAKE ASSEMBLIES-CROSSWIND LANDING GEAR -----	NP	A
- 1	0441016-24	TIRE 6.00 X 6 6 PLY -----	1	
	0441016-13	TUBE 6.00 X 6 -----	1	
- 2	0441150-8	WHEEL, BRAKE & COLLAR ASSEMBLY-CROSSWIND LANDING GEAR LH ----	1	
	0441150-9	WHEEL, BRAKE & COLLAR ASSEMBLY-CROSSWIND LANDING GEAR RH ----	1	
- 3	0441150-2	COLLAR-CROSSWIND WHEEL AXLE LH -----	1	
	0441150-3	COLLAR-CROSSWIND WHEEL AXLE RH -----	1	
		ATTACHING PARTS		
- 4	0441151	BOLT -----	2	
- 5	AN960-616L	WASHER -----	2	
- 6	NAS679A6	NUT -----	2	
		-----*		
- 7	95-5242	CLAMP GY -----	1	
	0541116-2	WHEEL ASSEMBLY-CROSSWIND LH -----	1	
	0541116-3	WHEEL ASSEMBLY-CROSSWIND RH -----	1	
- 8	9510816	WHEEL SUB ASSEMBLY-INBOARD HALF -----	1	
- 9	95-5216	CUP-BEARING GY -----	1	
-10	9510871	KEY-DISC DRIVE GY -----	8	
		ATTACHING PARTS		
-11	9520644	SCREW -----	8	
	AN960-416L	WASHER -----	8	
		-----*		
-12	9510993	WHEEL SUB ASSEMBLY-OUTBOARD HALF GY -----	1	
		ATTACHING PARTS		
-13	AN4-45A	BOLT -----	4	
-14	AN960-416	WASHER -----	4	
-15	NAS679A4	NUT -----	4	
		-----*		
-16	95-5216	CUP-BEARING GY -----	1	
-17	9520061	HUB & AXLE ASSEMBLY GY -----	1	
-18	95-5217	CONE-BEARING GY -----	1	
-19	9510983	SHIM-PACK GY -----	1	
-20	9510978	PLATE-INBOARD BEARING SEAL GY -----	1	
-21	9510977	GASKET-BEARING SEAL GY -----	1	
-22	9530373	PLATE-DEFLECTOR LH GY -----	1	
	9530374	PLATE-DEFLECTOR RH GY -----	1	
		ATTACHING PARTS		
-23	AN515-6-8	SCREW -----	3	
-24	AN936A6	WASHER-LOCK -----	3	
		-----*		
-25	9520424	BOOT-AXLE GY -----	1	
-26	9510966	PLATE-STABILIZER CAP GASKET GY -----	1	
-27	9510965	GASKET-STABILIZER CAP GY -----	1	
-28	9521246	CAP-STABILIZER GY -----	1	
		ATTACHING PARTS		
-29	MS20074-04-5	BOLT -----	2	
-30	AN935-416	WASHER-LOCK -----	2	
		-----*		
-31	9511005	SPRING-STABILIZER BRAKE GY -----	1	
-32	9510988	LINING-STABILIZER BRAKE GY -----	1	
-33	9520675	CLIP-ANTI RATTLE WITHOUT RETAINING RING GY -----	4	
	9511103	CLIP-ANTI RATTLE WITH RETAINING RING GY -----	4	
-34	9530593	RING-DISC RETAINING GY -----	1	
		ATTACHING PARTS		
-35	95-5383	FASTENER UC -----	4	
		-----*		
	0541116-26	BRAKE ASSEMBLY-LH -----	1	
	0541116-25	BRAKE ASSEMBLY-RH -----	1	
-36	0541116-28	HOUSING-LH -----	1	
	0541116-27	HOUSING-RH -----	1	
		ATTACHING PARTS		
-37	AN75A10	BOLT -----	3	
-38	AN960-516	WASHER -----	3	
		-----*		

CONTINUED ON NEXT PAGE

FIGURE AND INDEX NO.	PART NUMBER	DESCRIPTION	UNITS PER ASSY	USABLE ON CODE
		1 2 3 4 5 6 7		
44 -39	9520448	PLUG-INLET GY -----	1	
-40	MS2877884	GASKET-INLET -----	2	
-41	9511271	LINING-BRAKE STATIONARY GY -----	1	
-42	9530084	DISC-ROTATING BRAKE GY -----	1	
-43	9510734	LINING-BRAKE PISTON SIDE GY -----	1	
-44	9510155	PISTON-BRAKE GY -----	1	
-45	AN623082	SEAL-PISTON -----	1	
-46	AN623083	SEAL-CYLINDER HEAD -----	1	
		ATTACHING PARTS		
-48	95-5163	SCREW GY -----	6	
-49	AN936C10	WASHER -----	6	
		*-----		
-50	AN505-8R5	SCREW-BLEEDER -----	1	
-51	9510957	SEAL-BLEEDER SCREW GY -----	1	
A---SERIAL 18051184 THRU 18051312				

This page intentionally left blank.

Aligning Gear (Cont)

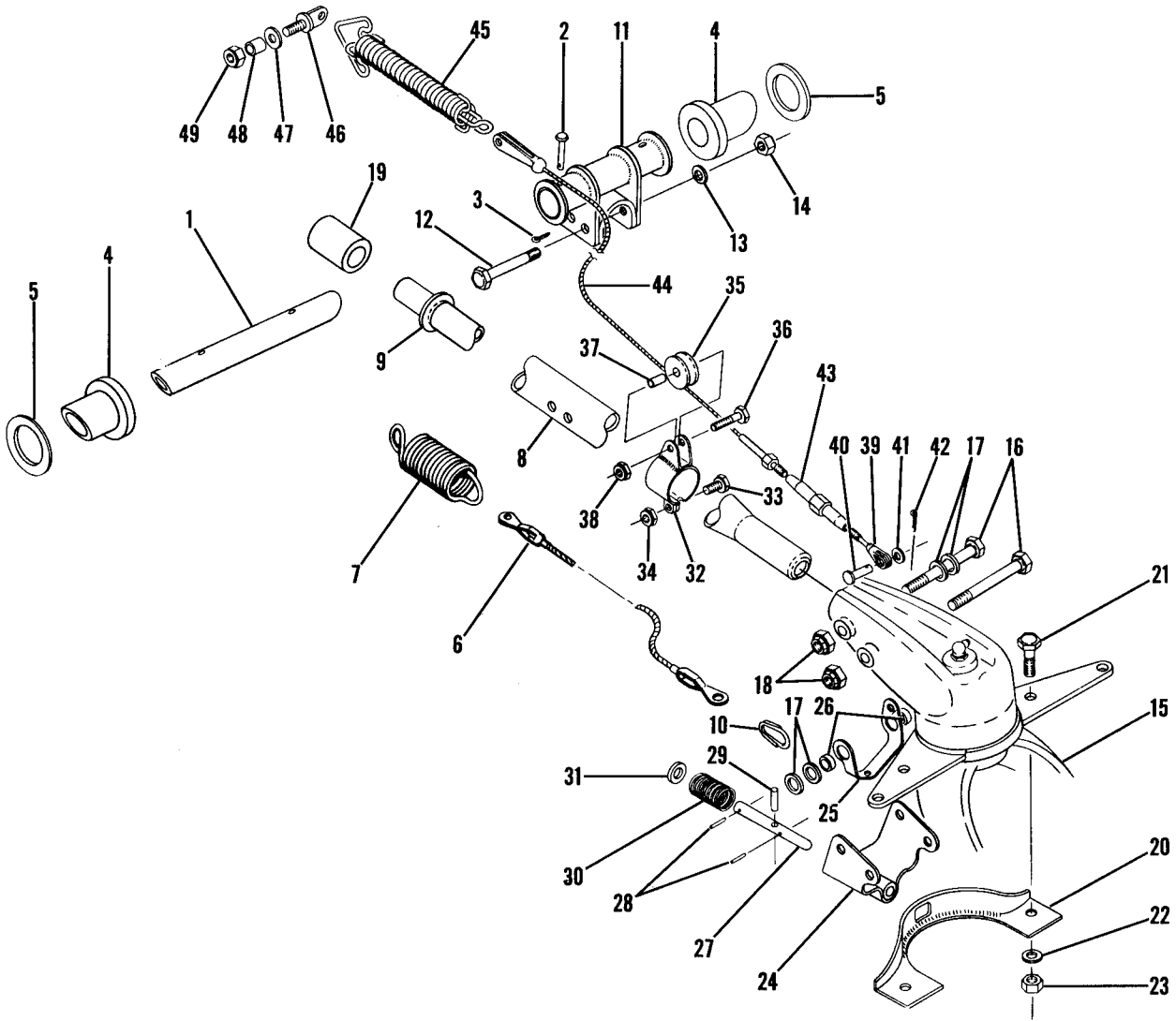


**SERIAL 185-0001 THRU 185-0237
SERIAL 18051184 & ON**

Figure 45. Tail Wheel Installation

FIGURE AND INDEX NO.	PART NUMBER	DESCRIPTION	UNITS PER ASSY	USABLE ON CODE
		1 2 3 4 5 6 7		
45 -		TAILWHEEL INSTALLATION -----	NP	A
- 1	0742100-5	TUBE-TAILWHEEL MOUNTING -----	1	
		ATTACHING PARTS -----		
- 2	MS20392-1C33	PIN-CLEVIS -----	2	
- 3	MS24665-132	PIN-COTTER -----	2	
		-----*		
- 4	0742112	BUSHING -----	2	
- 5	0742100-6	WASHER -----	AR	
- 6	0510105-196	CABLE ASSEMBLY SEE FIGURE 98 -----	2	B
	0510105-153	CABLE ASSEMBLY SEE FIGURE 99 -----	2	G
	0510105-323	CABLE ASSEMBLY SEE FIGURE 99 -----	2	H
- 7	0742200-5	SPRING -----	2	
- 8	0742100-11	SUB ASSEMBLY-SPRING WEU 0742100-19 -----	1	B
	0742100-19	SPRING -----	1	B
	0742100-9	SUB ASSEMBLY-SPRING WEU 0742100-18 -----	1	C
	0742100-18	SPRING -----	1	C
	0742100-15	SUB ASSEMBLY-SPRING WEU 0742100-20 -----	1	F
	0742100-20	SPRING -----	1	F
	0742147-4	SUB ASSEMBLY-SPRING WEU 1642000-4 -----	1	N
	1642000-4	SPRING -----	1	N
- 9	0742100-8	RETAINER-HOSE -----	1	M
	0742147-3	RETAINER-HOSE -----	1	P
-10	0742200-6	LINK -----	2	
-11	0742102	FITTING-SPRING -----	1	M
	0742146-1	FITTING-SPRING -----	1	N
		ATTACHING PARTS -----		
-12	AN5-21A	BOLT -----	2	
-13	AN960-516	WASHER -----	2	
-14	NAS679A5	NUT -----	2	
		-----*		
-15	0742122-4	TAILWHEEL ASSEMBLY SEE FIGURE 47 -----	1	B
	0742400	TAILWHEEL ASSEMBLY SEE FIGURE 48 -----	1	D
	0742400-13	TAILWHEEL ASSEMBLY SEE FIGURE 48A -----	1	E
	0742101-4	TAILWHEEL ASSEMBLY SEE FIGURE 48B -----	1	F
	0742147-5	TAILWHEEL ASSEMBLY SEE FIGURE 48B -----	1	N
		ATTACHING PARTS -----		
-16	AN5-27A	BOLT -----	1	
-17	AN5-22A	BOLT -----	1	K
	0742145-1	RING-TIE DOWN -----	1	L
-17A	AN960-516	WASHER -----	4	
-18	NAS679A5	NUT -----	2	
		-----*		
-19	S51-12	HOSE-1.75 IN LG BULK ITEM REF S51-12-7 -----	1	
		A---SERIAL 185-0001 THRU 185-0237 SERIAL 18051184 & ON		
		B---SERIAL 185-0001 THRU 185-0237		
		C---SERIAL 18051184 THRU 18051312		
		D---SERIAL 18051184 THRU 18051262		
		E---SERIAL 18051263 THRU 18051312		
		F---SERIAL 18051313 THRU 18051847		
		G---SERIAL 18051184 THRU 18051410		
		H---SERIAL 18051411 & ON		
		K---SERIAL 185-0001 THRU 185-0237 SERIAL 18051184 THRU 18051530		
		L---SERIAL 18051531 & ON		
		M---SERIAL 185-0001 THRU 185-0237 SERIAL 18051184 THRU 18051847		
		N---SERIAL 18051848 & ON		
		P---SERIAL 18051848 THRU 18052137		

Alighting Gear (Cont)

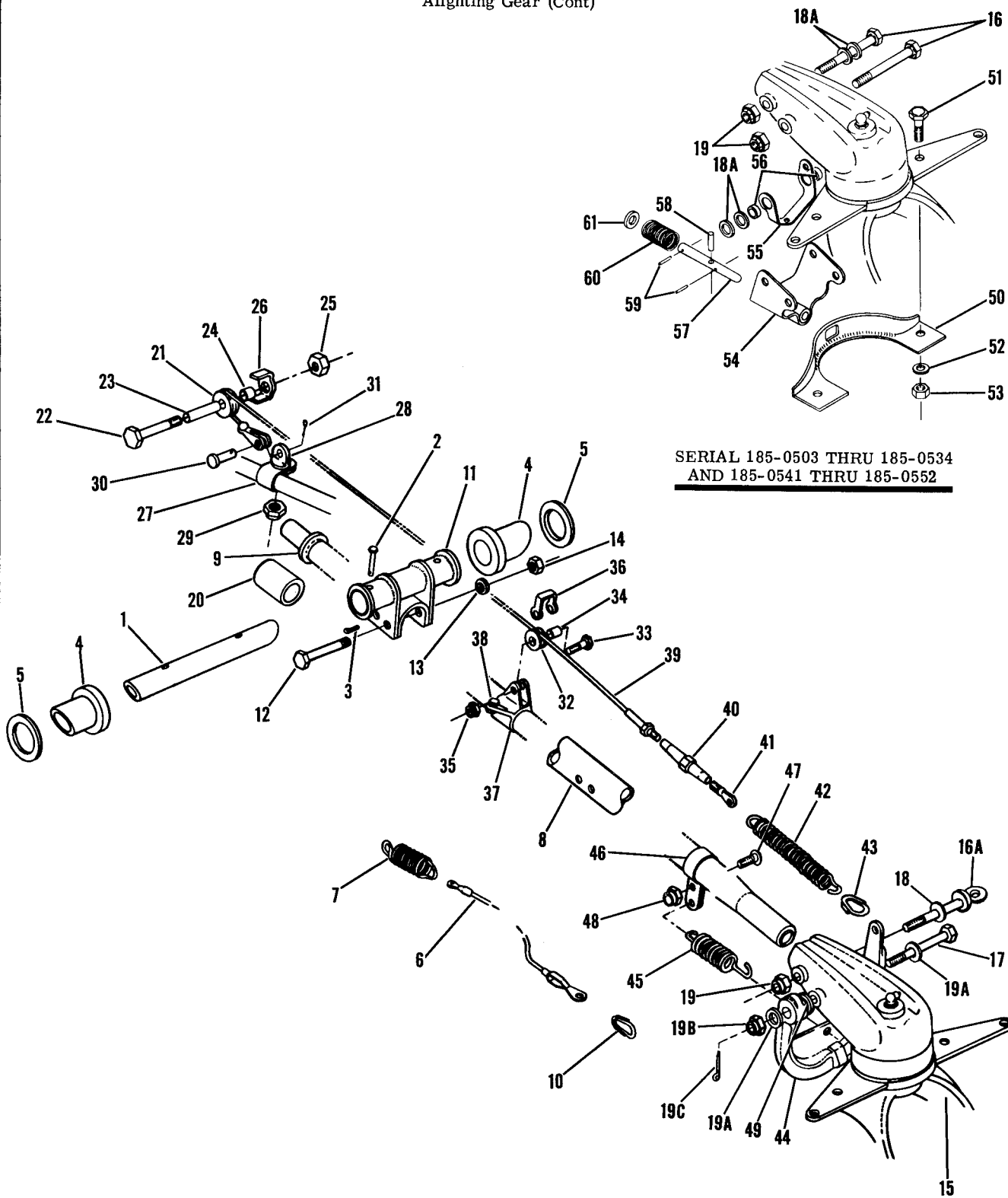


SERIAL 185-0238 THRU 185-0502

Figure 46. Tail Wheel Installation-Anti-Swivel

FIGURE AND INDEX NO.	PART NUMBER	DESCRIPTION	UNITS PER ASSY	USABLE ON CODE
		1 2 3 4 5 6 7		
46 -		TAILWHEEL INSTALLATION-ANTI-SWIVEL -----	NP	A
- 1	0742100-5	TUBE-TAILWHEEL SPRING MOUNTING -----	1	
		ATTACHING PARTS -----		
- 2	MS20392-1C33	PIN-CLEVIS -----	2	
- 3	MS24665-132	PIN-COTTER -----	2	
		-----*		
- 4	0742112	BUSHING -----	2	
- 5	0742100-6	WASHER -----	AR	
- 6	0510105-199	CABLE ASSEMBLY SEE FIGURE 98 -----	2	
- 7	0310280	SPRING -----	2	
- 8	0742100-15	SUB ASSEMBLY-SPRING WEU 0742100-20 -----	1	
	0742100-20	SPRING -----	1	
- 9	0742100-8	RETAINER-HOSE USED WITH 0742100-15 ONLY -----	1	
-10	0742200-6	LINK -----	2	
-11	0742102	FITTING-SPRING -----	1	
		ATTACHING PARTS -----		
-12	AN5-21A	BOLT -----	2	
-13	AN960-516	WASHER -----	2	
-14	NAS679A5	NUT -----	2	
		-----*		
-15	0742122-4	TAILWHEEL ASSEMBLY SEE FIGURE 47 -----	1	
		ATTACHING PARTS -----		
-16	AN5-31A	BOLT -----	2	
-17	AN960-516	WASHER -----	4	
-18	NAS679A5	NUT -----	2	
		-----*		
-19	S51-12	HOSE-1.75 IN LG BULK ITEM REF S51-12-7 -----	1	
-20	0742125-5	COLLAR ASSEMBLY -----	1	
		ATTACHING PARTS -----		
-21	AN4-6A	BOLT -----	2	
-22	AN960-416	WASHER -----	2	
-23	NAS679A4	NUT -----	2	
		-----*		
-24	0742126-1	BRACKET ASSEMBLY -----	1	
-25	0742127-1	BELLCRANK -----	1	
-26	0742128-1	SPACER -----	2	
-27	0742129-1	PIN-LOCK -----	1	
-28	NAS561P4-8	PIN -----	2	
-29	NAS561P4-10	PIN -----	1	
-30	0742130-1	SPRING -----	1	
-31	AN960-516	WASHER -----	1	
-32	0742131-1	CLAMP ASSEMBLY -----	1	
		ATTACHING PARTS -----		
-33	AN4-6A	BOLT -----	1	
-34	NAS679A4	NUT -----	1	
		-----*		
-35	S394	PULLEY -----	1	
		ATTACHING PARTS -----		
-36	AN3-7A	BOLT -----	1	
-37	0512138-1	BUSHING -----	1	
-38	MS21044N3	NUT -----	1	
		-----*		
-39	AN161-8LS	FORK -----	1	
		ATTACHING PARTS -----		
-40	MS20392-2C11	PIN -----	1	
-41	AN960-10L	WASHER -----	1	
-42	MS24665-132	PIN-COTTER -----	1	
		-----*		
-43	AN15588S	BARREL-TURNBUCKLE -----	1	
-44	0742132-1	CABLE ASSEMBLY -----	1	
-45	0742134-1	SPRING -----	1	
		ATTACHING PARTS -----		
-46	AN43B10A	BOLT-EYE -----	1	
-47	AN960-416	WASHER -----	1	
-48	NAS43HT4-24	SPACER -----	1	
-49	NAS679A4	NUT -----	1	
		-----*		
A---SERIAL 185-0238 THRU 185-0502				

Aligning Gear (Cont)



SERIAL 185-0503 THRU 185-0534
AND 185-0541 THRU 185-0552

SERIAL 185-0503 THRU 185-0653

Figure 46A. Tailwheel Installation - Anti - Swivel

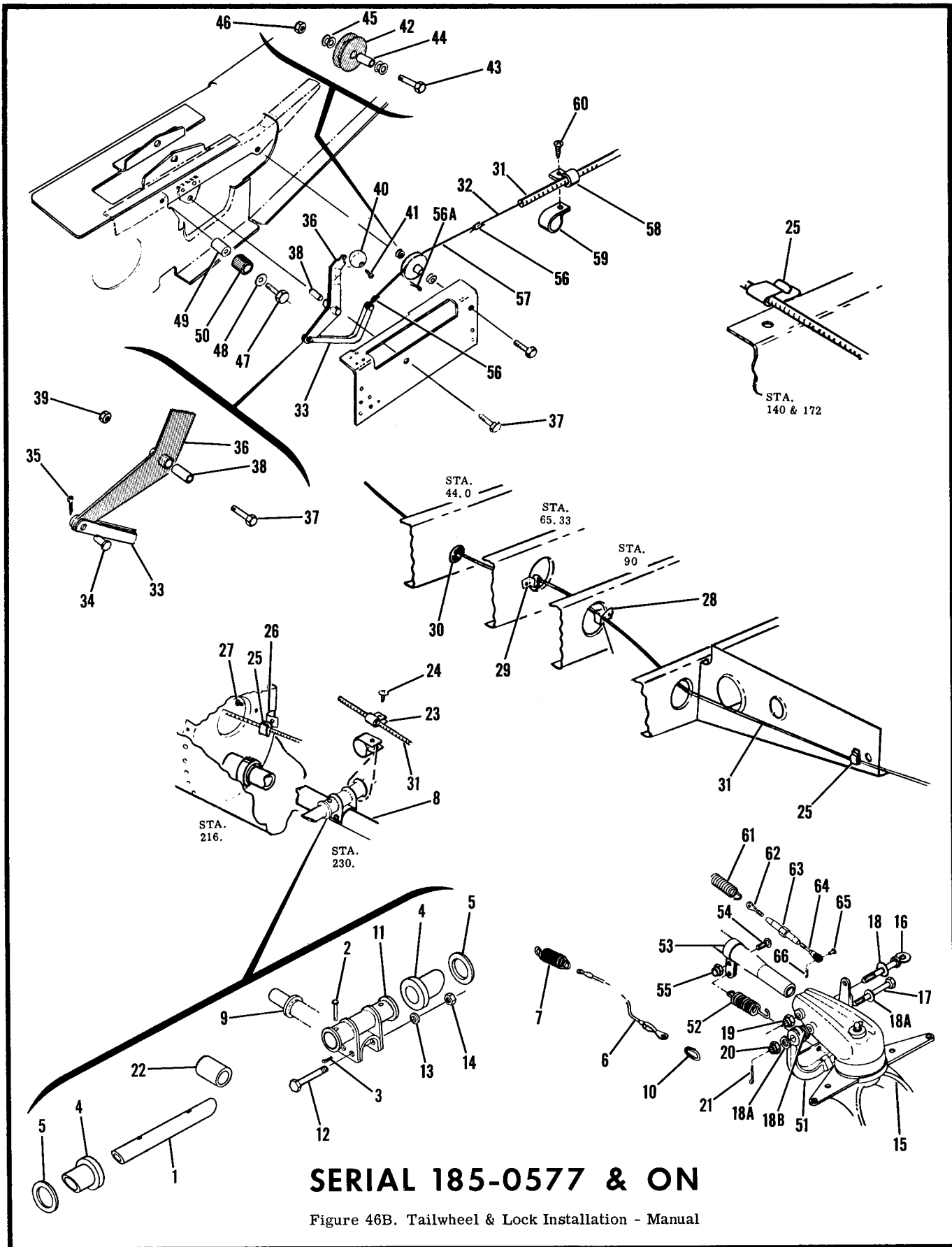


FIGURE AND INDEX NO.	PART NUMBER	DESCRIPTION	UNITS PER ASSY	USABLE ON CODE		
					1	2
46A-		TAIL WHEEL INSTALLATION-ANTI-SWIVEL	NP	A		
- 1	0742100-5	TUBE-TAILWHEEL SPRING MOUNTING	1			
		ATTACHING PARTS				
- 2	MS20392-1C33	PIN-CLEVIS	2			
- 3	MS24665-132	PIN-COTTER	2			
		-----*				
- 4	0742112	BUSHING	2			
- 5	0742100-6	WASHER	AR			
- 6	0510105-199	CABLE ASSEMBLY SEE FIGURE 98	2			
- 7	0742200-5	SPRING	2			
- 8	0742100-15	SUB ASSEMBLY-SPRING WEU 0742100-20	1			
	0742100-20	SPRING	1			
- 9	0742100-8	RETAINER-HOSE USED WITH 0742100-15 ONLY	1			
-10	0742200-6	LINK	2			
-11	0742102	FITTING-SPRING	1			
		ATTACHING PARTS				
-12	AN5-21A	BOLT	2			
-13	AN960-516	WASHER	2			
-14	NAS679A5	NUT	2			
		-----*				
-15	0742122-4	TAILWHEEL ASSEMBLY SEE FIGURE 47	1	B		
	0742122-5	TAILWHEEL ASSEMBLY SEE FIGURE 47	1	C		
		ATTACHING PARTS				
-16	AN5-31A	BOLT	2	B		
-16A	0742145-1	RING-TIE DOWN	1	C		
-17	AN5-36	BOLT	1	C		
-18	AN960-516	WASHER	2	C		
-18A	AN960-516	WASHER	4	B		
-19	NAS679A5	NUT	2	B		
	NAS679A5	NUT	1	C		
-19A	AN960-516L	WASHER	2	C		
-19B	MS35692-522	NUT	1	C		
-19C	MS24665-134	PIN-COTTER	1	C		
		-----*				
-20	S51-12	HOSE-1.75 IN LG BULK ITEM REF S-51-12-7	1			
-21	S394	PULLEY	1			
		ATTACHING PARTS				
-22	AN3-15A	BOLT	1			
-23	0512138-2	BUSHING	1			
-24	NAS43HT4-12	SPACER	1			
-25	MS21044N3	NUT	1			
		-----*				
-26	0742138-1	GUARD	1			
-27	0742137-4	CLAMP	1			
		ATTACHING PARTS				
-28	AN42B4A	BOLT	1			
-29	MS21044N3	NUT	1			
		-----*				
-30	MS24665-132	PIN	1			
-31	MS20392-2C7	PIN-COTTER	1			
-32	S394	PULLEY	1			
		ATTACHING PARTS				
-33	AN3-7A	BOLT	1			
-34	0512138-1	BUSHING	1			
-35	MS21044N3	NUT	1			
		-----*				
-36	0742138-3	GUARD	1			
-37	0742137-1	CLAMP ASSEMBLY	1			
		ATTACHING PARTS				
-38	AN4-10A	BOLT	1			
	NAS679A4	NUT	1			
		-----*				
-39	0742139-1	CABLE ASSEMBLY	1	B		
	0742139-4	CABLE ASSEMBLY	1	C		
-40	AN15588S	BARREL	1			
-41	AN165-8LS	EYE	1			
-42	0742136-1	SPRING	1			
-43	0742200-6	LINK	1			

CONTINUED ON NEXT PAGE

FIGURE AND INDEX NO.	PART NUMBER	*	DESCRIPTION							UNITS PER ASSY	USABLE ON CODE
			1	2	3	4	5	6	7		
46A-44	3426	*	BELLCRANK	SCA	-----	-----	-----	-----	-----	1	C
-45	3477	*	SPRING	SCA	-----	-----	-----	-----	-----	1	C
-46	3478	*	CLAMP	SCA	-----	-----	-----	-----	-----	1	C
			ATTACHING PARTS								
-47	AN515-6R5	*	SCREW	-----	-----	-----	-----	-----	-----	1	C
-48	NAS679A06	*	NUT	-----	-----	-----	-----	-----	-----	1	C
			-----*								
-49	3476	*	BUSHING	SCA	-----	-----	-----	-----	-----	2	C
-50	0742125-5	*	COLLAR ASSEMBLY	-----	-----	-----	-----	-----	-----	1	B
			ATTACHING PARTS								
-51	AN4-6A	*	BOLT	-----	-----	-----	-----	-----	-----	2	B
-52	AN960-416	*	WASHER	-----	-----	-----	-----	-----	-----	2	B
-53	NAS679A4	*	NUT	-----	-----	-----	-----	-----	-----	2	B
			-----*								
-54	0742126-1	*	BRACKET ASSEMBLY	-----	-----	-----	-----	-----	-----	1	B
-55	0742127-1	*	BELLCRANK	-----	-----	-----	-----	-----	-----	1	B
-56	0742128-1	*	SPACER	-----	-----	-----	-----	-----	-----	1	B
-57	0742129-1	*	PIN-LOCK	-----	-----	-----	-----	-----	-----	1	B
-58	NAS561P4-10	*	PIN	-----	-----	-----	-----	-----	-----	1	B
-59	NAS561P4-8	*	PIN	-----	-----	-----	-----	-----	-----	2	B
-60	0742130-1	*	PIN	-----	-----	-----	-----	-----	-----	1	B
-61	AN960-516	*	WASHER	-----	-----	-----	-----	-----	-----	1	B
<p>NOTE. *THESE PARTS ARE PART OF 0742122-5 TAILWHEEL ASSEMBLY. SEE FIGURE 47.</p> <p>A---SERIAL 185-0503 THRU 185-0653 B---SERIAL 185-0503 THRU 185-0534 & 185-0541 THRU 185-0552 C---SERIAL 185-0535 THRU 185-0540 & 185-0553 THRU 185-0653</p>											

This page intentionally left blank.



SERIAL 185-0577 & ON

Figure 46B. Tailwheel & Lock Installation - Manual



FIGURE AND INDEX NO.	PART NUMBER	DESCRIPTION							UNITS PER ASSY	USABLE ON CODE
		1	2	3	4	5	6	7		
468-		TAILWHEEL AND LOCK INSTALLATION-MANUAL -----							NP	A
- 1	0742100-5	TUBE-TAILWHEEL SPRING MOUNTING -----							1	
		ATTACHING PARTS -----								
- 2	MS20392-1C33	PIN-CLEVIS -----							2	
- 3	MS24665-132	PIN-COTTER -----							2	
		-----*								
- 4	0742112	BUSHING -----							2	
- 5	0742100-6	WASHER -----							AR	
- 6	0510105-199	CABLE ASSEMBLY					SEE FIGURE 98	2	D	
	0510105-323	CABLE ASSEMBLY					SEE FIGURE 98	2	E	
- 7	0742200-5	SPRING -----							2	
- 8	0742100-15	SUB ASSEMBLY-SPRING					WEU 0742100-20	1	F	
	0742100-20	SPRING -----							1	F
	0742147-4	SUB ASSEMBLY-SPRING					WEU 1642000-4	1	G	
	1642000-4	SPRING -----							1	G
- 9	0742100-8	RETAINER-HOSE					USED WITH 0742100-15 ONLY	1	F	
	0742147-3	RETAINER-HOSE					USED WITH 0742147-4	1	H	
-10	0742200-6	LINK -----							2	
-11	0742102	FITTING-SPRING -----							1	F
	0742146-1	FITTING-SPRING -----							1	G
		ATTACHING PARTS -----								
-12	AN5-21A	BOLT -----							2	
-13	AN960-516	WASHER -----							2	
-14	NAS679A5	NUT -----							2	
		-----*								
-15	0742122-5	TAILWHEEL ASSEMBLY					SEE FIGURE 47	1	B	
	0742101-3	TAILWHEEL ASSEMBLY					SEE FIGURE 48B	1	C	
	0742147-6	TAILWHEEL ASSEMBLY					SEE FIGURE 48B	1	G	
		ATTACHING PARTS -----								
-16	0742145-1	RING-TIE DOWN -----							1	
-17	AN5-36	*	BOLT -----						1	
-18	AN960-516	*	WASHER -----						2	
-18A	AN960-516L	*	WASHER -----						2	
-18B	3476	*	BUSHING					SCA	2	
-19	NAS679A5	*	NUT -----						1	
-20	MS35692-522	*	NUT -----						1	
-21	MS35692-134	*	PIN-COTTER -----						1	
		-----*								
-22	S51-12	HOSE-1.75 IN LG					BULK ITEM REF S51-12-7	1		
-23	MS219190G3	CLAMP -----							1	
	MS219190G5	CLAMP -----							1	
-24	S1021Z10-6	SCREW -----							1	
-25	C23150-017-4	CLIP TIN -----							1	
-26	S1154-1	BRACKET -----							1	
-27	S1021Z8-6	SCREW -----							1	
-28	S1592-1B	HARNESS BAND -----							1	
	S1021Z6-8	SCREW -----							1	
-29	MS219190G3	CLAMP -----							1	
	S1153-1	BRACKET -----							1	
	S1021Z8-6	SCREW -----							2	
-30	MS35489-8	GROMMET -----							1	
-31	S1398-2-218.00	CASING-CONTROL WIRE -----							1	
-32	0710639-5	CONTROL WIRE -----							1	
-33	0711687-2	CONNECTOR ASSEMBLY -----							1	
		ATTACHING PARTS -----								
-34	MS20392-2C7	PIN-FLATHEAD -----							1	
-35	MS24665-132	PIN-COTTER -----							1	
		-----*								
-36	0711687-3	LEVER ASSEMBLY -----							1	
		ATTACHING PARTS -----								
-37	AN4-12	BOLT -----							1	
-38	NAS76A4-024	BUSHING -----							1	
-39	NAS679A4	NUT -----							1	
		-----*								
-40	S1249-1	KNOB -----							1	
		ATTACHING PARTS -----								
-41	AN507-1032R12	SCREW -----							1	
		-----*								
-42	0711687-6	PULLEY -----							1	
		ATTACHING PARTS -----								
-43	AN4-12	BOLT -----							1	

CONTINUED ON NEXT PAGE

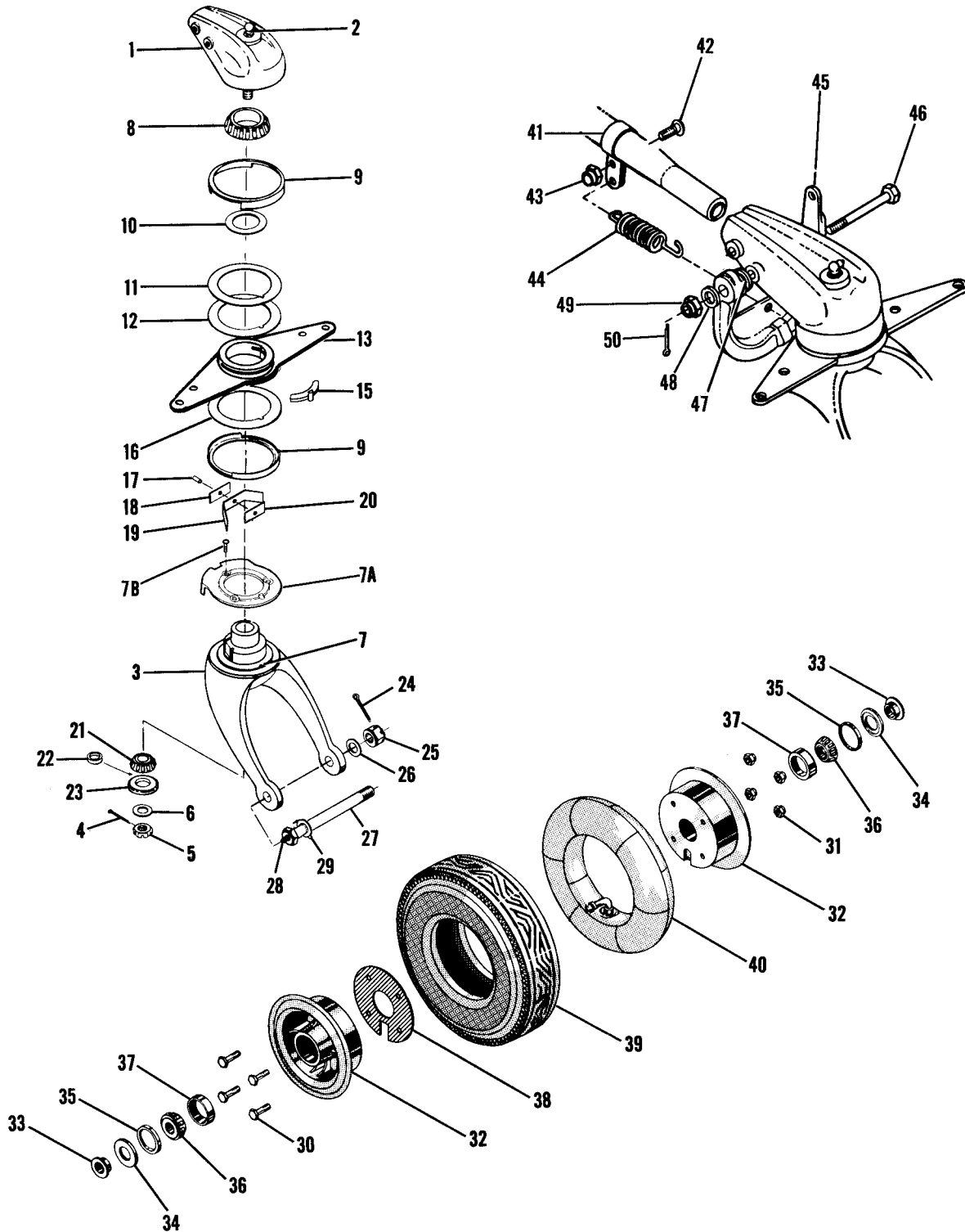
FIGURE AND INDEX NO.	PART NUMBER	DESCRIPTION							UNITS PER ASSY	USABLE ON CODE
		1	2	3	4	5	6	7		
46B-44	NAS43HT4-41								1	
-45	AN960-616								2	
	AN960-616L								1	
-46	NAS679A4								1	
-47	AN3-7A								1	
-48	AN960PD10L								1	
-49	NAS43HT4-41								1	
-50	S1495-6								1	
	MS21044N3								1	
-51	3426	*							1	
-52	3477	*							1	
-53	3478	*							1	F
	3478-1	*							1	G
-54	AN515-6R5	*							1	
-55	NAS679A06								1	
-56	S1958-1								2	
-56A	MS24665-287								1	
-57	0710639-2								1	
-58	MS21919DG3								1	
-59	S1485D9U								1	
-60	S102128-6								1	
-61	0742136-1								1	
-62	AN165-8LS								1	
-63	AN155B8S								1	
-64	AN161-8RS								1	
-65	MS20392-2C9								1	
-66	MS24665-132								1	
<p>NOTE. *THESE PARTS ARE PART OF 0742122-5, 0742147-6, & 0742101-3 TAILWHEEL ASSEMBLIES. SEE FIGURES 47 & 48B.</p> <p>A---SERIAL 185-0577 & ON B---SERIAL 185-0577 THRU 185-0653 C---SERIAL 185-0654 THRU 185-1206 D---SERIAL 185-0577 THRU 185-0768 E---SERIAL 185-0769 & ON F---SERIAL 185-0577 THRU 185-1206 G---SERIAL 185-1207 & ON H---SERIAL 185-1207 THRU 18501684</p>										



FIGURE AND INDEX NO.	PART NUMBER	DESCRIPTION	UNITS PER ASSY	USABLE ON CODE		
					1	2
47 -	0742122-4	TAIL WHEEL ASSEMBLY-10 IN. PNEUMATIC -----	1	A		
- 1	0742122-5	TAIL WHEEL ASSEMBLY-10 IN. PNEUMATIC -----	1	B		
- 2	3412-1	BRACKET ASSEMBLY SCA -----	1			
- 2	19118	FITTING-LUBRICATION AL -----	1			
- 3	08231	CUP-BEARING TI -----	1			
- 3	3423-1	FORK ASSEMBLY SCA -----	1	A		
- 3	3423-3	FORK ASSEMBLY SCA -----	1	B		
- 4	MS24665-283	ATTACHING PARTS				
- 4		PIN-COTTER -----	1			
- 5	AN320-8	NUT -----	1			
- 6	AN960-816	WASHER -----	1			
- 7	A4138	CUP-BEARING TI -----	1			
- 7	3226	PIN SCA -----	1	A		
- 7A	52-048-250-0375	PIN-ROLL EN -----	1	B		
- 7B	3427	COLLER-LOCKING SCA -----	1	B		
- 8	AN510-10R7	SCREW -----	3	B		
- 8	08118	CONE-BEARING TI -----	1			
- 9	3411	DUST CAP SET SCA -----	1	A		
- 9	3411-3	DUST CAP SET SCA -----	1	B		

CONTINUED ON PAGE 115

Aligning Gear (Cont)



SERIAL 185-0001 THRU 185-0653

Figure 47. Tailwheel Assembly

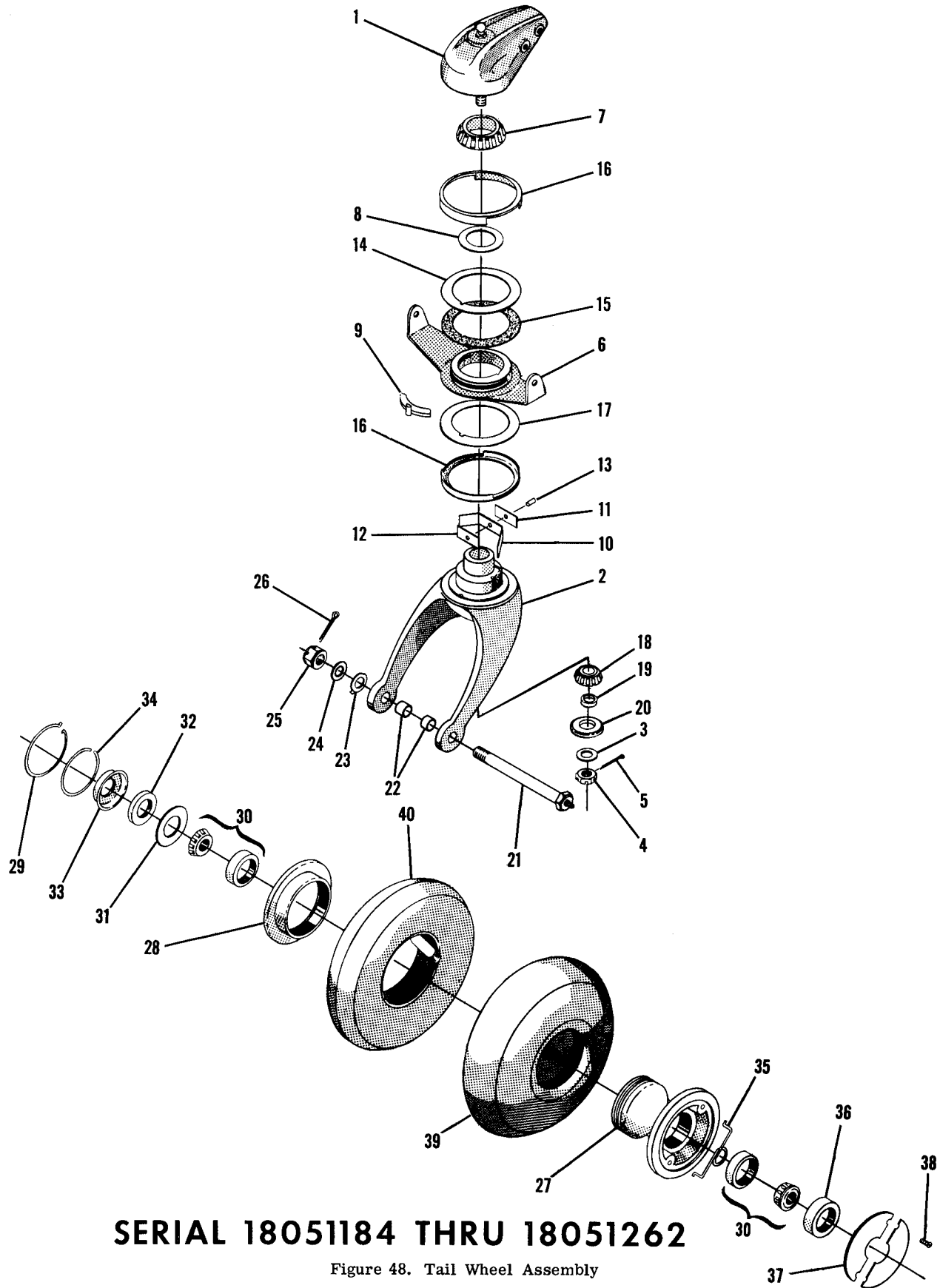


FIGURE AND INDEX NO.	PART NUMBER	DESCRIPTION							UNITS PER ASSY	USABLE ON CODE
		1	2	3	4	5	6	7		
47 -10	3407	SPACER	SCA	-----	-----	-----	-----	-----	AR	
-11	3408	WASHER-STEEL	SCA	-----	-----	-----	-----	-----	1	
-12	3408-1	WASHER-PHENOLITE	SCA	-----	-----	-----	-----	-----	AR	
	3408-2	WASHER-PHENOLITE	SCA	-----	-----	-----	-----	-----	AR	
-13	3410-5	ARM ASSEMBLY	SCA	-----	-----	-----	-----	-----	1	
-14		DELETED, NEVER USED		-----	-----	-----	-----	-----		
-15	3219	PAWL	SCA	-----	-----	-----	-----	-----	1	
-16	3408-2	WASHER	SCA	-----	-----	-----	-----	-----	AR	
-17	3257	PIN-STAKING	SCA	-----	-----	-----	-----	-----	1	
-18	3433	SPACER-SPRING	SCA	-----	-----	-----	-----	-----	1	
-19	3432	SPRING	SCA	-----	-----	-----	-----	-----	1	
-20	3433-1	SPACER-SPRING	SCA	-----	-----	-----	-----	-----	1	A
	3258	SPACER	SCA	-----	-----	-----	-----	-----	AR	B
	3258-1	SPACER	SCA	-----	-----	-----	-----	-----	AR	B
-21	A4050	CONE-BEARING	TI	-----	-----	-----	-----	-----	1	
-22	2504-1	SPACER	SCA	-----	-----	-----	-----	-----	1	
-23	1863	RETAINER-GREASE	SCA	-----	-----	-----	-----	-----	1	
	3245-1	WHEEL & TIRE ASSEMBLY	10 INCH	SCA	-----	-----	-----	-----	1	
		ATTACHING PARTS		-----	-----	-----	-----	-----		
-24	MS24665-283	PIN-COTTER		-----	-----	-----	-----	-----	1	
-25	AN310-8	NUT		-----	-----	-----	-----	-----	1	
-26	AN960-816L	WASHER		-----	-----	-----	-----	-----	1	
-27	3236C2	AXLE ASSEMBLY	SCA	-----	-----	-----	-----	-----	1	
-28	MS15001-1	FITTING-LUBRICATION		-----	-----	-----	-----	-----	1	
-29	3225	WASHER-LOCK	SCA	-----	-----	-----	-----	-----	1	
		-----*		-----	-----	-----	-----	-----		
-30	AN4-7A	BOLT		-----	-----	-----	-----	-----	4	
-31	NAS679A4	NUT		-----	-----	-----	-----	-----	4	
-32	2598	HUB-WHEEL	SCA	-----	-----	-----	-----	-----	2	
-33	3227	SPACER	SCA	-----	-----	-----	-----	-----	2	
-34	1863	RETAINER-GREASE	SCA	-----	-----	-----	-----	-----	2	
-35	1862	SPACER-GREASE RETAINER	SCA	-----	-----	-----	-----	-----	2	
	0442006-11	BEARING SET ASSEMBLY		-----	-----	-----	-----	-----	2	
-36	A4050	CONE-BEARING	TI	-----	-----	-----	-----	-----	1	
-37	A4138	CUP-BEARING	TI	-----	-----	-----	-----	-----	1	
-38	2602	GASKET	SCA	-----	-----	-----	-----	-----	1	
-39	3246	TIRE-PNEUMATIC	10 X 3.50-4	SCA	-----	-----	-----	-----	1	
-40	3247	TUBE-PNEUMATIC	10 X 3.50	SCA	-----	-----	-----	-----	1	
-41	3478	CLAMP	SCA	-----	-----	-----	-----	-----	1	B
		ATTACHING PARTS		-----	-----	-----	-----	-----		
-42	AN515-6R5	SCREW		-----	-----	-----	-----	-----	1	B
-43	NAS679A06	NUT		-----	-----	-----	-----	-----	1	B
		-----*		-----	-----	-----	-----	-----		
-44	3477	SPRING	SCA	-----	-----	-----	-----	-----	1	B
-45	3426	BELLCRANK	SCA	-----	-----	-----	-----	-----	1	B
-46	AN5-36	BOLT		-----	-----	-----	-----	-----	1	B
-47	3476	BUSHING	SCA	-----	-----	-----	-----	-----	2	B
-48	AN960-516L	WASHER		-----	-----	-----	-----	-----	2	B
-49	MS35692-522	NUT		-----	-----	-----	-----	-----	1	B
-50	MS24665-134	PIN-COTTER		-----	-----	-----	-----	-----	1	B

NOTE. *FOR COMPLETE BEARING SET CONSISTING OF 08118 CONE AND 08231 CUP, ORDER 0742400-12.

NOTE. #FOR COMPLETE BEARING SET CONSISTING OF A4050 CONE AND A4138 CUP, ORDER 0442006-11.

A---SERIAL 185-0001 THRU 185-0534 & 185-0541 THRU 185-0552
 B---SERIAL 185-0535 THRU 185-0540 & 185-0553 THRU 185-0653



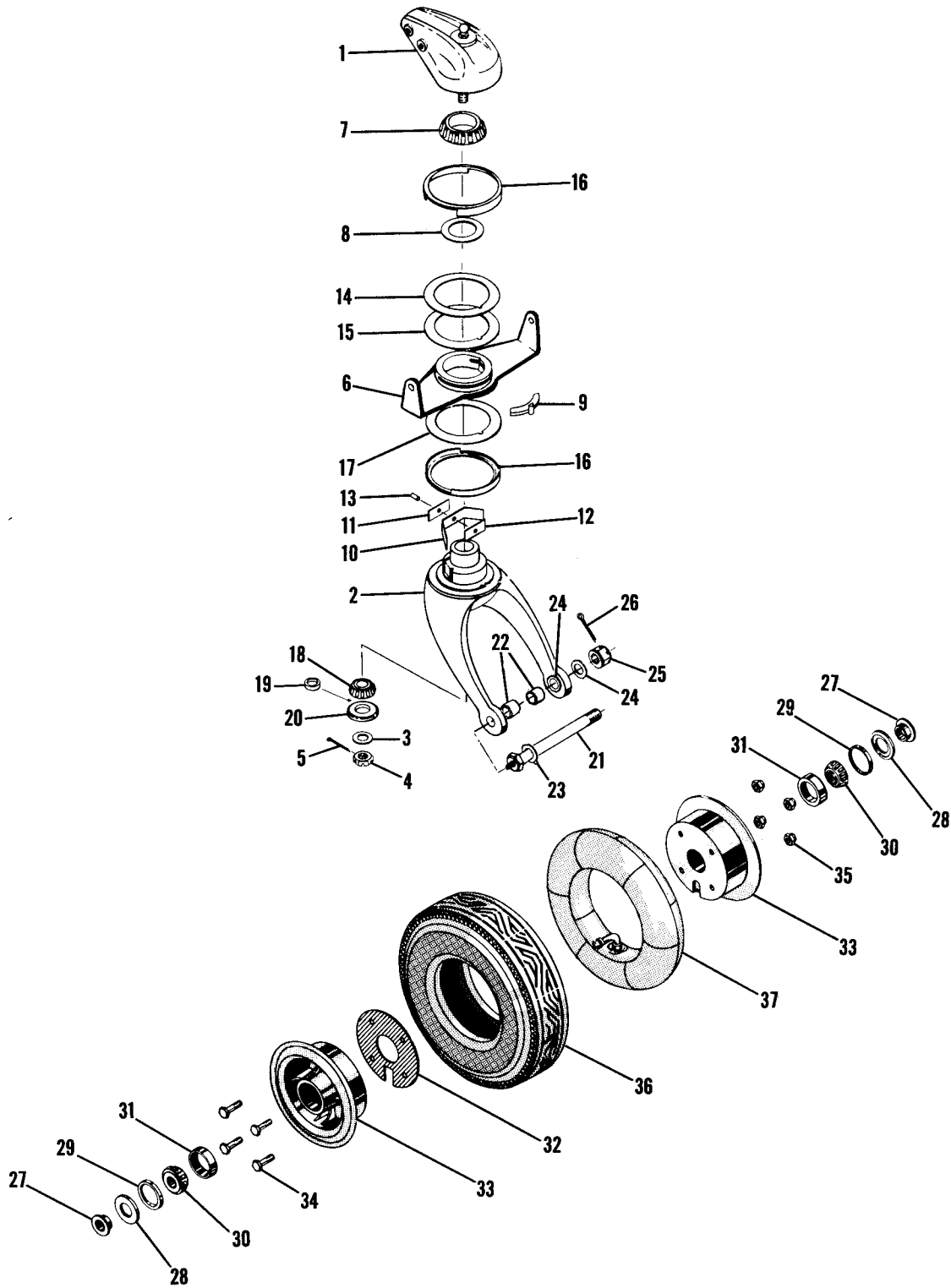
SERIAL 18051184 THRU 18051262

Figure 48. Tail Wheel Assembly



FIGURE AND INDEX NO.	PART NUMBER	DESCRIPTION	UNITS PER ASSY	USABLE ON CODE
		1 2 3 4 5 6 7		
48 -	0742400	TAIL WHEEL ASSEMBLY -----	1	A
- 1	0742400-10	FORK & BRACKET ASSEMBLY-TAIL WHEEL -----	1	
	3412	BRACKET ASSEMBLY SCA -----	1	
	19118	FITTING-LUBRICATION AL -----	1	
	08231	CUP-BEARING TI -----	1	
- 2	3413	FORK ASSEMBLY SCA -----	1	
		ATTACHING PARTS -----		
- 3	AN960-816	WASHER -----	1	
- 4	AN320-8	NUT -----	1	
- 5	MS24665-283	PIN-COTTER -----	1	
		-----*		
	A4138	CUP-BEARING TI -----	1	
	3226	PIN SCA -----	1	
- 6	3410-3	ARM ASSEMBLY SCA -----	1	
- 7	08118	CONE-BEARING TI -----	1	
- 8	3407	SPACER SCA -----	AR	
- 9	3219	PAWL SCA -----	1	
-10	3222	SPRING SCA -----	1	
-11	3258	SPACER-SPRING SCA -----	1	
-12	3258-1	SPACER-SPRING SCA -----	1	
-13	3257	PIN-STAKING SCA -----	1	
-14	3408	WASHER-STEEL SCA -----	1	
-15	3408-1	WASHER-FORMICA SCA -----	1	
-16	3411	DUST CAP SET SCA -----	1	
-17	3408-2	WASHER SCA -----	1	
-18	A4050	CONE-BEARING TI -----	1	
-19	2504-1	SPACER SCA -----	1	
-20	1863	RETAINER-GREASE -----	1	
	0742401	WHEEL & TIRE ASSEMBLY WHEN EXHAUSTED USE 2600 -----	1	
	2600	WHEEL & TIRE ASSEMBLY SCA SEE FIGURE 48A -----	1	
		ATTACHING PARTS -----		
-21	3236C2	AXLE ASSEMBLY -----	1	
-22	0742400-11	BUSHING -----	2	
-23	3225	WASHER-LOCK SCA -----	1	
-24	AN960-816	WASHER -----	1	
-25	AN310-8	NUT -----	1	
-26	MS24665-283	PIN-COTTER -----	1	
	AN960-816	WASHER USE WITH 2600 WHEEL & TIRE ASSEMBLY ONLY -----	4	
		-----*		
-27	0742401-1	WHEEL ASSEMBLY -----	1	
-28	0742401-10	SUB ASSEMBLY-WHEEL -----	1	
-29	0742401-4	FLANGE -----	1	
-30	0742401-5	RING-FLANGE RETAINING -----	1	
-31	0442006-11	BEARING SET INCLUDES CONE & CUP -----	2	
-32	0742401-6	PLATE-GREASE RETAINER INNER -----	1	
-33	0742401-7	RING-GREASE RETAINER FELT -----	1	
-34	0742401-8	PLATE-GREASE RETAINER OUTER -----	1	
-35	0742401-9	RING-GREASE RETAINER RETAINING -----	1	
-36	0742401-11	SPRING-VALVE STEM RETAINING -----	1	
-37	0742401-12	RETAINER-GREASE -----	1	
		PLATE-FAIRING -----	2	
		ATTACHING PARTS -----		
-38	AN520-10-6	SCREW -----	2	
		-----*		
-39	0742401-3	TIRE-8 INCHES S.C. -----	1	
-40	0742401-14	TUBE-8 INCHES X 3-1/4 INCHES S.C. -----	1	
		NOTE. # FOR COMPLETE BEARING SET CONSISTING OF 08118 CONE & 08231 CUP ORDER 0742400-12.		
		NOTE. * FOR COMPLETE BEARING SET CONSISTING OF A4050 CONE & A4138 CUP ORDER 0442006-11.		
		A---SERIAL 18051184 THRU 18051262		

Aligning Gear (Cont)

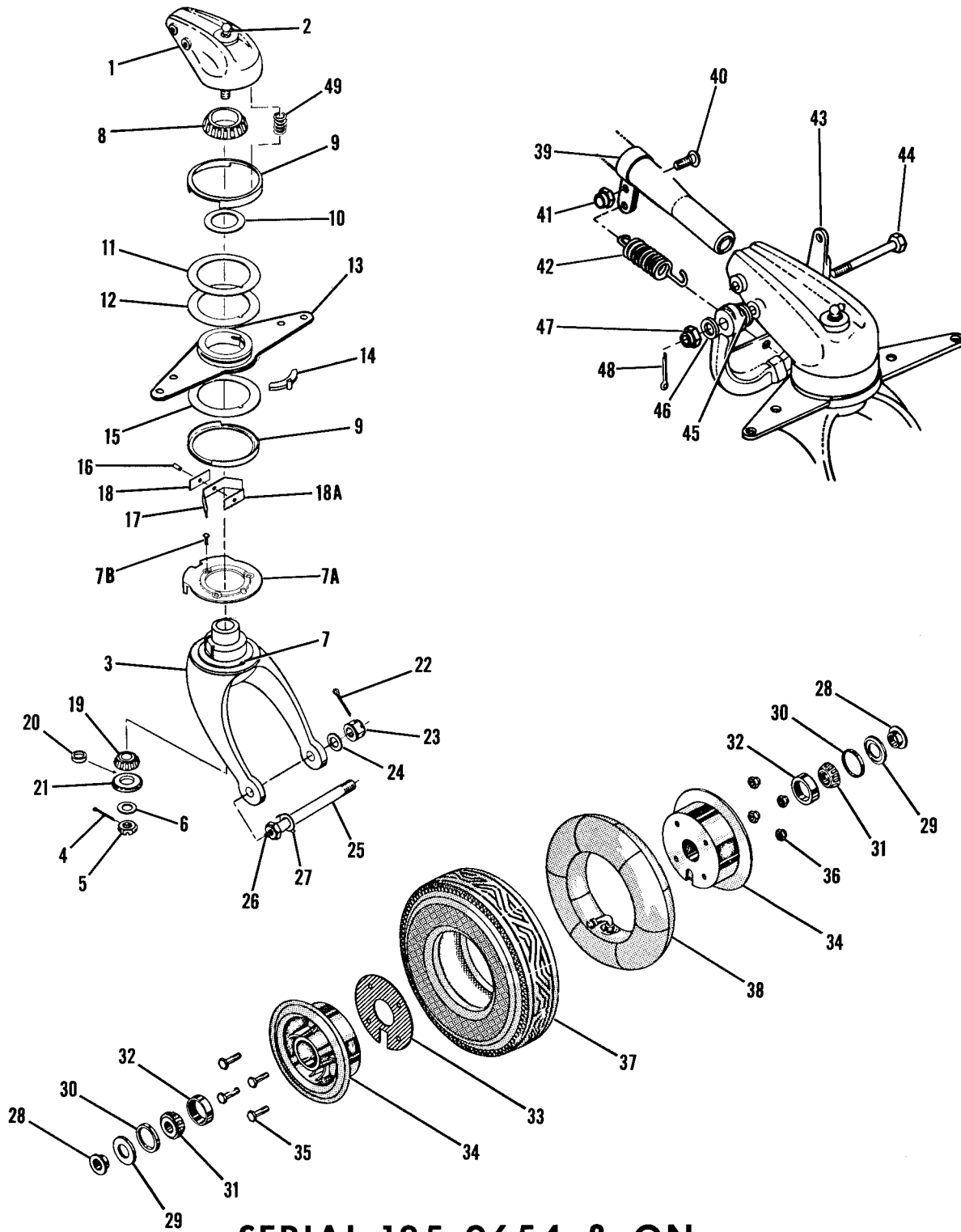


SERIAL 18051263 THRU 18051312

Figure 48A. Tail Wheel Assembly

FIGURE AND INDEX NO.	PART NUMBER	DESCRIPTION							UNITS PER ASSY	USABLE ON CODE
		1	2	3	4	5	6	7		
48A-	0742400-13	TAILWHEEL ASSEMBLY-8 IN. PNEUMATIC -----							1	A
- 1	0742400-10	FORK AND BRACKET ASSEMBLY-TAILWHEEL -----							1	
	3412	BRACKET ASSEMBLY SCA -----							1	
	1911B	FITTING-LUBRICATION AL -----							1	
	08231	CUP TI -----							1	
- 2	3413	FORK ASSEMBLY SCA -----							1	
		ATTACHING -----								
- 3	AN960-816	WASHER -----							1	
- 4	AN320-8	NUT -----							1	
- 5	MS24665-283	PIN-COTTER -----							1	
		-----*								
	A4138	CUP-BEARING TI -----							1	
	3226	PIN SCA -----							1	
- 6	3410-3	ARM ASSEMBLY SCA -----							1	
- 7	08118	CONE-BEARING TA -----							1	
- 8	3407	SPACER -----							AR 1	
- 9	3219	PAWL SCA -----							1	
-10	3222	SPRING SCA -----							1	
-11	3258	SPACER-SPRING SCA -----							1	
-12	3258-1	SPACER-SPRING SCA -----							1	
-13	3257	PIN-STAKING SCA -----							1	
-14	3408	WASHER-STEEL SCA -----							1	
-15	3408-1	WASHER-FORMICA SCA -----							1	
-16	3411	DUST CAP SCA -----							1	
-17	3408-2	WASHER SCA -----							1	
-18	A4050	CONE-BEARING TI -----							1	
-19	2504-1	SPACER SCA -----							1	
-20	1863	RETAINER-GREASE -----							1	
	2600	WHEEL AND TIRE ASSEMBLY SCA -----							1	
		ATTACHING PARTS -----								
-21	3236C2	AXLE ASSEMBLY SCA -----							1	
-22	0742400-11	BUSHING -----							2	
-23	3225	WASHER-LOCK SCA -----							1	
-24	AN960-816	WASHER -----							3	
-25	AN310-8	NUT -----							1	
-26	MS24665-283	PIN-COTTER -----							1	
		-----*								
	3244	WHEEL ASSEMBLY SCA -----							1	
-27	3227	SPACER SCA -----							2	
-28	1863	RETAINER-GREASE SCA -----							2	
-29	1862	SPACER-GREASE RETAINING SCA -----							2	
-30	A4050	CONE-BEARING TI -----							2	
-31	A4138	CUP-BEARING TI -----							2	
-32	2602	GASKET SCA -----							1	
-33	2598	HUB-WHEEL SCA -----							2	
		ATTACHING PARTS -----								
-34	AN4-7A	BOLT -----							4	
-35	NAS679A4	NUT -----							4	
		-----*								
-36	3228	TIRE-8X2.80 4 PLY SCA -----							1	
-37	3223	TUBE 8X2.80 SCA -----							1	
<p>NOTE.# FOR COMPLETE BEARING SET CONSISTING OF 08118 CONE AND 08231 CUP, ORDER 0742400-12.</p> <p>NOTE.* FOR COMPLETE BEARING SET CONSISTING OF A4050 CONE AND A4138 CUP ORDER 0442006-11.</p> <p>A---SERIAL 18051263 THRU 18051312</p>										

Aligning Gear (Cont)



SERIAL 185-0654 & ON
SERIAL 18051313 & ON

Figure 48B. Tailwheel Assembly

FIGURE AND INDEX NO.	PART NUMBER	DESCRIPTION	UNITS PER ASSY	USABLE ON CODE
		1 2 3 4 5 6 7		
488-	0742101-3	TAILWHEEL ASSEMBLY- 8 IN. PNEUMATIC -----	1	C
	0742147-6	TAILWHEEL ASSEMBLY- 8 IN. PNEUMATIC -----	1	D
	0742101-4	TAILWHEEL ASSEMBLY-8 IN. PNEUMATIC -----	1	E
	0742147-5	TAILWHEEL ASSEMBLY-8 IN. PNEUMATIC -----	1	F
- 1	3412-1	BRACKET ASSEMBLY SCA -----	1	G
	3412-2	BRACKET ASSEMBLY SCA -----	1	H
- 2	1911B	FITTING-LUBRICATION AL -----	1	
	08231	CUP-BEARING TI -----	1	
- 3	3413-1	FORK ASSEMBLY SCA -----	1	
		ATTACHING PARTS		
- 4	MS24665-283	PIN-COTTER -----	1	
- 5	AN320-8	NUT -----	1	
- 6	AN960-816	WASHER -----	1	
		-----*		
	A4138	CUP-BEARING TI -----	1	
- 7	52-048-250-0375	PIN-ROLL EN -----	1	
- 7A	3427	COLLAR-LOCKING SCA -----	1	
- 7B	AN510-10R7	SCREW -----	3	
- 8	08118	CONE-BEARING TI -----	1	
- 9	3411-3	DUST CAP SET SCA -----	1	
-10	3407	SPACER SCA -----	AR	
-11	3408	WASHER-STEEL SCA -----	1	
-12	3408-1	WASHER-PHENOLITE SCA -----	AR	
	3408-2	WASHER-PHENOLITE SCA -----	AR	
-13	3410-5	ARM ASSEMBLY SCA -----	1	
-14	3219	PAWL SCA -----	1	
-15	3479-1	WASHER SCA -----	AR	
-16	3257	PIN-STAKING SCA -----	1	
-17	3432	SPRING SCA -----	1	
-18	3433	SPACER-SPRING SCA -----	AR	
-18A	3258	SPACER SCA -----	AR	
	3258-1	SPACER SCA -----	AR	
-19	A4050	CONE-BEARING TI -----	1	
-20	2504-1	SPACER SCA -----	1	
-21	1863	RETAINER-GREASE SCA -----	1	
	2600	WHEEL AND TIRE ASSEMBLY 8 INCH SCA -----	1	
		ATTACHING PARTS		
-22	MS24665-283	PIN-COTTER -----	1	
-23	AN310-8	NUT -----	1	
-24	AN960-816L	WASHER -----	1	
-25	3236C2	AXLE ASSEMBLY SCA -----	1	
-26	MS15001-1	FITTING-LUBRICATION -----	1	
-27	3225	WASHER-LOCK SCA -----	1	
		-----*		
	3244	WHEEL ASSEMBLY SCA -----	1	
-28	3227	SPACER SCA -----	2	
-29	1863	RETAINER-GREASE SCA -----	2	
-30	1862	SPACER-GREASE RETAINING SCA -----	2	
-31	A4050	CONE-BEARING TI -----	2	
-32	A4138	CUP-BEARING TI -----	2	
-33	2602	GASKET SCA -----	1	
-34	2598	HUB-WHEEL SCA -----	2	
		ATTACHING PARTS		
-35	AN4-7A	BOLT -----	4	
-36	NAS679A4	NUT -----	1	
		-----*		
-37	3228	TIRE- 8X2.80 4 PLY SCA -----	1	
-38	3223	TUBE- 8X2.80 SCA -----	1	
-39	3478	CLAMP SCA -----	1	C
	3478-1	CLAMP SCA -----	1	D
		ATTACHING PARTS		
-40	AN515-6R5	SCREW -----	1	A
-41	NAS679A06	NUT -----	1	A
		-----*		

CONTINUED ON NEXT PAGE

FIGURE AND INDEX NO.	PART NUMBER	DESCRIPTION	UNITS PER ASSY	USABLE ON CODE
48B-42	3477	SPRING SCA -----	1	A
-43	3426	BELLCRANK SCA -----	1	A
-44	AN5-36	BOLT -----	1	A
	AN5-27	BOLT -----	1	B
-45	3476	BUSHING SCA -----	2	A
-46	AN960-516L	WASHER -----	2	
-47	MS35692-522	NUT -----	1	
-48	MS24665-134	PIN-COTTER -----	1	
-49	3233	SPRING -----	2	J
<p>NOTE. *FOR COMPLETE BEARING SET CONSISTING OF 08118 CONE AND 0821 CUP, ORDER 0742400-12.</p> <p>NOTE. #FOR COMPLETE BEARING SET CONSISTING OF A4050 CONE AND A4138 CUP, ORDER 0442006-11.</p> <p>A---SERIAL 185-0654 & ON B---SERIAL 18051313 & ON C---SERIAL 185-0654 THRU 185-1206 D---SERIAL 185-1207 & ON E---SERIAL 18051313 THRU 18051847 F---SERIAL 18051848 & ON G---SERIAL 185-0654 THRU 185-1206 SERIAL 18051313 THRU 18051847 H---SERIAL 185-1207 & ON SERIAL 18051848 & ON J---SERIAL 18052138 & ON SERIAL 18501677 & ON</p>				

This page intentionally left blank.

Door & Window

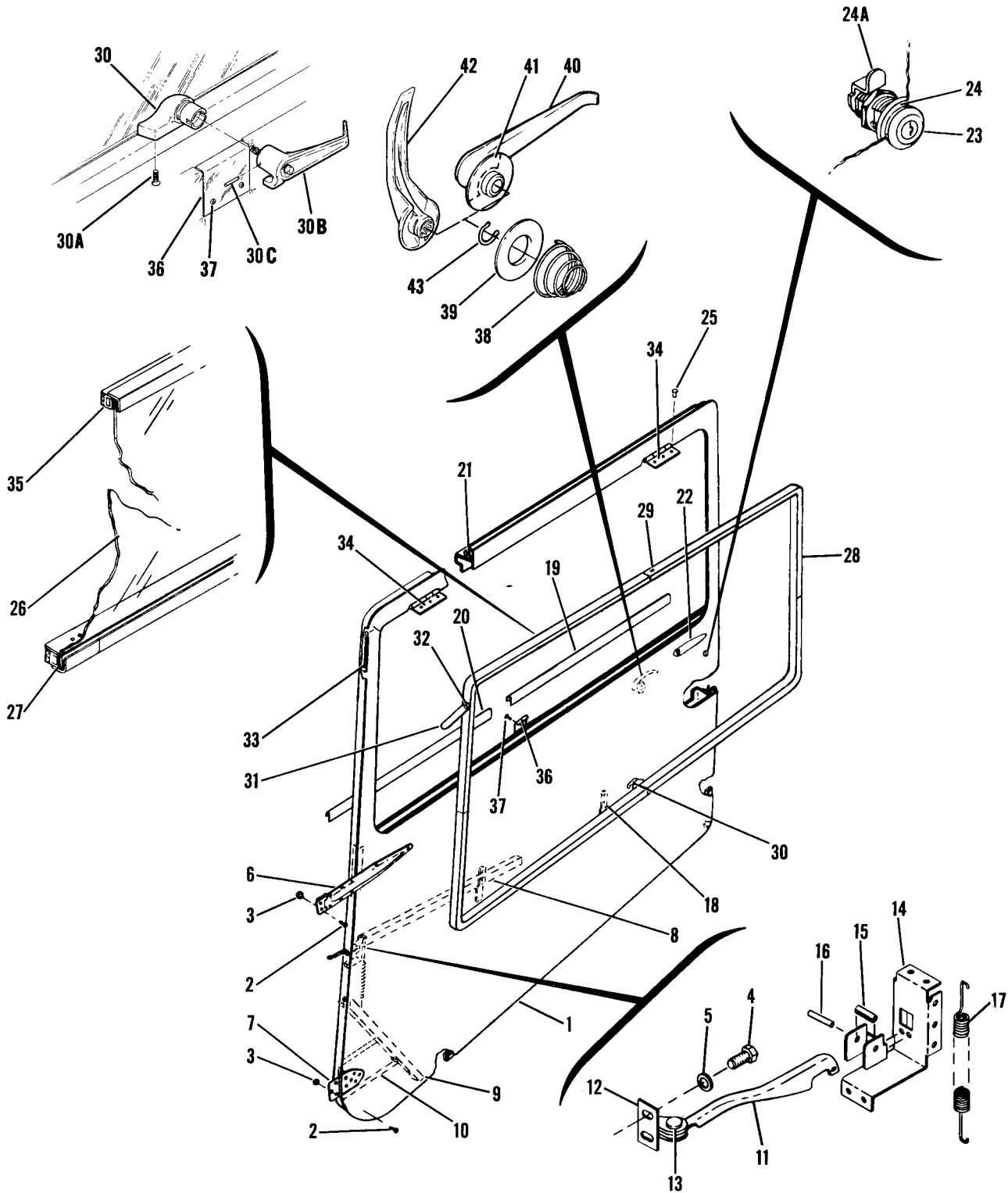


Figure 49. Left Cabin Door Installation



FIGURE AND INDEX NO.	PART NUMBER	DESCRIPTION	UNITS PER ASSY	USABLE ON CODE
49 -		CABIN DOOR INSTALLATION-LH	NP	
- 1	0711023-61	STRUCTURE ASSEMBLY-CABIN DOOR LH	1	A
	0711023-75	STRUCTURE ASSEMBLY-CABIN DOOR LH	1	B
	0711023-85	STRUCTURE ASSEMBLY-CABIN DOOR LH CLEAR WINDOW	1	J
	0711023-201	STRUCTURE ASSEMBLY-CABIN DOOR LH TINTED WINDOW	1	K
	0711023-95	STRUCTURE ASSEMBLY-CABIN DOOR LH CLEAR WINDOW	1	P
	0711023-203	STRUCTURE ASSEMBLY-CABIN DOOR LH TINTED WINDOW	1	P
	0711023-101	STRUCTURE ASSEMBLY-CABIN DOOR LH CLEAR WINDOW	1	R
	0711023-205	STRUCTURE ASSEMBLY-CABIN DOOR LH TINTED WINDOW	1	R
	0711023-105	STRUCTURE ASSEMBLY-CABIN DOOR LH CLEAR WINDOW	1	S
		ATTACHING PARTS		
- 2	AN507-1032R12	SCREW	4	
- 3	MS21044N3	NUT	4	
- 4	AN3-3A	BOLT	2	
- 5	AN960-10L	WASHER	2	
		-----*		
- 6	0711037-1	HINGE-UPPER LH REAR	1	
	0711037-5	HINGE-UPPER LH FORWARD	1	
		ATTACHING PARTS		
	0711038-1	PIN-HINGE	1	
		-----*		
- 7	0711037-3	HINGE-LOWER LH REAR	1	
	0711037-10	HINGE-LOWER LH FORWARD	1	
		ATTACHING PARTS		
	0711038-1	PIN-HINGE	1	
		-----*		
- 8	0711001-25	STIFFENER-DOOR UPPER	1	
- 9	0711001-45	STIFFENER-DOOR LOWER	1	
-10	0711001-43	BRACKET-LOWER HINGE REINFORCEMENT	1	
-11	0711040-1	STOP ASSEMBLY-DOOR	1	
-12	0711039-1	HINGE ASSEMBLY LH	1	
-13	MS20450C12-12	RIVET	1	
-14	0711001-35	BRACKET ASSEMBLY-DOOR STOP	1	
-15	0711001-52	SPACER	1	
-16	NAS561-3-18	ROLL PIN	1	
-17	0711001-29	SPRING-DOOR STOP	1	
-18	0511463-1	CLIP-DOOR PANEL	2	
		ATTACHING PARTS		
	S102124-4	SCREW	4	
		-----*		
-19	0711023-14	CHANNEL-UPHOLSTERY RETAINER	1	
-20	0711023-15	CHANNEL-UPHOLSTERY RETAINER	1	
-21	S1116-1	SEAL-144.0 IN LG BULK ITEM REF S1116-1-144.0	1	
-22	0711061-1	LATCH ASSEMBLY-DOOR LH SEE FIGURE 51	1	F
	1511205-7	LATCH ASSEMBLY-DOOR LH SEE FIGURE 51A	1	J
	1511205-13	LATCH ASSEMBLY-DOOR LH SEE FIGURE 51A	1	P
	1511205-16	LATCH ASSEMBLY-DOOR LH SEE FIGURE 51A	1	Q
		ATTACHING PARTS		
	NAS220-5	SCREW	12	F
	NAS220-5	SCREW	2	C
	AN525-832R7	SCREW	8	C
		-----*		
-23	0413323-5	LOCK ASSEMBLY-DOOR WHEN EXHAUSTED	1	
		USE C253001-0101 LOCK & 0711033-1 CAM		
	C253001-0101	LOCK ASSEMBLY-DOOR	1	
		ATTACHING PARTS		
-24	0411851	WASHER	1	
		-----*		
-24A	0711033-1	CAM	1	
	0711050-19	WINDOW ASSEMBLY-DOOR LH CLEAR	1	
	C711050-203	WINDOW ASSEMBLY-DOOR LH TINTED	1	G
		ATTACHING PARTS		
-25	CR163-4-4	RIVET CY	8	
		-----*		
-26	0711051-1	GLASS ASSEMBLY-WINDOW CLEAR	1	
	0711051-2	GLASS ASSEMBLY-WINDOW TINTED	1	G
-27	S1082-1	SEAL-83.75 IN LG BULK ITEM REF S-1082-1-83.75	1	
-28	0711050-5	FRAME-WINDOW	1	
		ATTACHING PARTS		
-29	CR163-4-4	RIVET CY	6	
		-----*		

CONTINUED ON NEXT PAGE



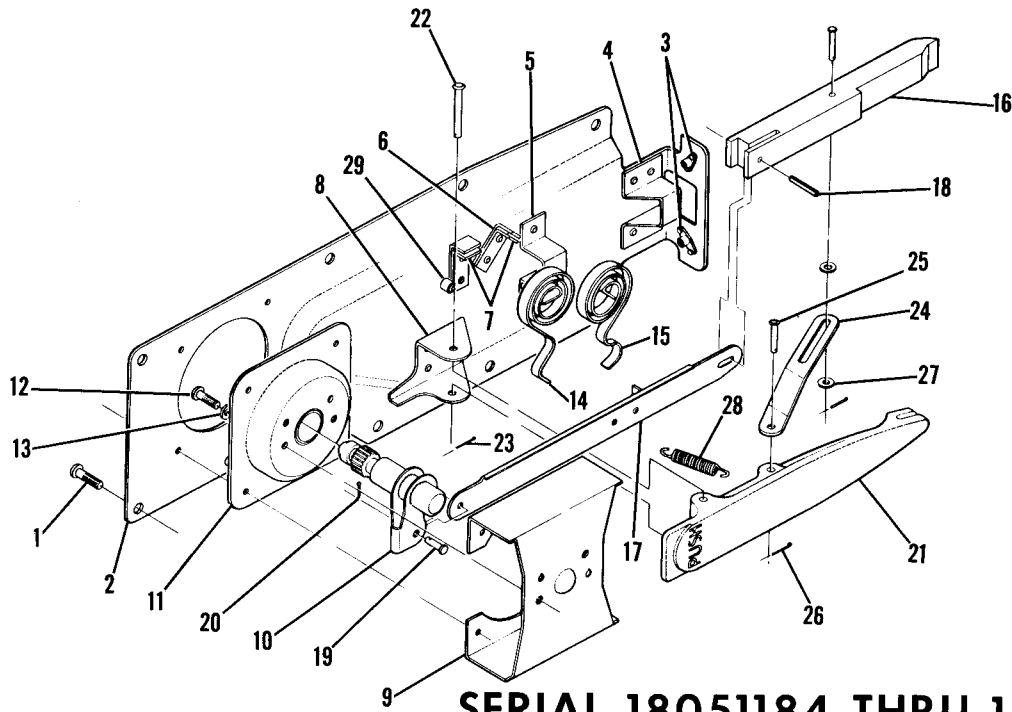
FIGURE AND INDEX NO.	PART NUMBER	DESCRIPTION							UNITS PER ASSY	USABLE ON CODE
		1	2	3	4	5	6	7		
49 -30	1411202-201	BRACKET ASSEMBLY-WINDOW LATCH -----							1	
		ATTACHING PARTS -----								
-30A	NAS514P1032-14	SCREW -----							2	
	NAS43HT3-34	SPACER -----							2	
		-----*								
-30B	S1483-2	HANDLE ASSEMBLY-WINDOW LH -----							1	
		ATTACHING PARTS -----								
-30C	NAS561P3-8	PIN-ROLL -----							1	
		-----*								
-31	0711021-4	ARM ASSEMBLY-WINDOW -----							1	
		ATTACHING PARTS -----								
-32	AN525-10R8	SCREW -----							1	
		-----*								
-33	0711021-9	SPRING-WINDOW ARM -----							1	
-34	0411185-7	HINGE ASSEMBLY-WINDOW -----							2	
-35	S1378-2	SEAL-WINDOW 84.00 IN.LG. BULK ITEM -----							1	
		REF S1378-2-84.00								
-36	0711093-1	PLATE-WINDOW LATCH -----							1	D
	0711021-7	PLATE-WINDOW LATCH -----							1	E
		ATTACHING PARTS -----								
-37	AN515-6R5	SCREW -----							2	
		-----*								
-38	0413317-1	SPRING-DOOR HANDLE -----							1	
-39	0511189-2	ESCUTCHEON-DOOR HANDLE WHEN EXHAUSTED USE 1211836-1 -----							1	M
	1211836-1	WASHER -----							1	Q
-40	0711027-1	HANDLE-DOOR INSIDE -----							1	H
	1211250-1	HANDLE ASSEMBLY-DOOR INSIDE LH -----							1	P
	1211250-7	HANDLE ASSEMBLY-DOOR INSIDE -----							1	T
	1211251-1	INSERT-DOOR HANDLE -----							1	L
-41	0700166-1	PLACARD-DOOR HANDLE LH -----							1	N
-42	0517006-2	HANDLE-DOOR INSIDE -----							1	U
-43	0511189-1	CLIP-DOOR HANDLE RETAINING -----							1	
		A---SERIAL 185-0001 THRU 185-0512								
		B---SERIAL 185-0513 THRU 185-0967								
		SERIAL 18051184 THRU 18051607								
		C---SERIAL 185-0968 & ON								
		SERIAL 18051608 & ON								
		D---SERIAL 185-0517 THRU 185-0786								
		SERIAL 18051184 THRU 18051464								
		E---SERIAL 185-0001 THRU 185-0516, 185-0787 & ON								
		SERIAL 18051465 & ON								
		F---SERIAL 185-0001 THRU 185-0967								
		SERIAL 18051184 THRU 18051607								
		G---SERIAL 185-1150 & ON								
		SERIAL 18051775 & ON								
		H---SERIAL 185-0001 THRU 185-1300								
		SERIAL 18051184 THRU 18051875								
		J---SERIAL 185-0968 THRU 185-1300								
		SERIAL 18051608 THRU 18051875								
		K---SERIAL 185-1150 THRU 185-1300								
		SERIAL 18051775 THRU 18051875								
		L---SERIAL 185-1301 THRU 18502090								
		SERIAL 18051876 THRU 18052284								
		M---SERIAL 185-0001 THRU 185-1599								
		SERIAL 18051184 THRU 18052103								
		N---SERIAL 185-0968 THRU 185-1599								
		SERIAL 18051608 THRU 18052103								
		P---SERIAL 185-1301 THRU 185-1599								
		SERIAL 18051876 THRU 18052103								
		Q---SERIAL 18501600 & ON								
		SERIAL 18052104 & ON								
		R---SERIAL 18501600 THRU 18501876								
		SERIAL 18052104 THRU 18052194								
		S---SERIAL 18501877 & ON								
		SERIAL 18052195 & ON								
		T---SERIAL 18501600 THRU 18502090								
		SERIAL 18052104 THRU 18052284								
		U---SERIAL 18502091 & ON								
		SERIAL 18052285 & ON								

FIGURE AND INDEX NO.	PART NUMBER	DESCRIPTION	UNITS PER ASSY	USABLE ON CODE
50 -		CABIN DOOR INSTALLATION-RH -----	NP	
- 1	0711023-72	STRUCTURE ASSEMBLY-CABIN DOOR RH -----	1	A
	0711023-76	STRUCTURE ASSEMBLY-CABIN DOOR RH WEU 0711023-77 -----	1	C
	0711023-77	STRUCTURE ASSEMBLY-CABIN DOOR RH -----	1	D
	0711023-86	STRUCTURE ASSEMBLY-CABIN DOOR RH CLEAR WINDOW -----	1	L
	0711023-200	STRUCTURE ASSEMBLY-CABIN DOOR RH TINTED WINDOW -----	1	M
	0711023-94	STRUCTURE ASSEMBLY-CABIN DOOR RH CLEAR WINDOW -----	1	R
	0711023-202	STRUCTURE ASSEMBLY-CABIN DOOR RH TINTED WINDOW -----	1	R
	0711023-100	STRUCTURE ASSEMBLY-CABIN DOOR RH CLEAR WINDOW -----	1	T
	0711203-204	STRUCTURE ASSEMBLY-CABIN DOOR RH TINTED WINDOW -----	1	T
	0711203-104	STRUCTURE ASSEMBLY-CABIN DOOR RH CLEAR WINDOW -----	1	U
		ATTACHING PARTS -----		
- 2	AN507-1032R12	SCREW -----	4	
- 3	MS21044N3	NUT -----	4	
- 4	AN3-3A	BOLT -----	2	
- 5	AN960-10L	WASHER -----	2	
		-----*		
- 6	0711037-2	HINGE-UPPER RH REAR -----	1	
	0711037-6	HINGE-UPPER RH FORWARD -----	1	
		ATTACHING PARTS -----		
- 7	S1426-2	PIN-REMOVABLE HINGE -----	1	B
	0711038-1	PIN-HINGE -----	1	C
		-----*		
- 8	0711037-4	HINGE-LOWER RH REAR -----	1	
	0711037-11	HINGE-LOWER RH FORWARD -----	1	
		ATTACHING PARTS -----		
- 9	S1426-2	PIN-REMOVABLE HINGE -----	1	B
	0711038-1	PIN-HINGE -----	1	C
		-----*		
-10	0711001-26	STIFFENER-DOOR UPPER -----	1	
-11	0711040-14	STOP ASSEMBLY-DOOR -----	1	B
	0711040-2	STOP ASSEMBLY-DOOR -----	1	C
		ATTACHING PARTS -----		
-12	MS20392-2C9	PIN -----	1	B
-13	MS24665-132	PIN-COTTER -----	1	B
		-----*		
-14	0711001-36	BRACKET ASSEMBLY-DOOR STOP -----	1	
-15	0711001-52	SPACER -----	1	
-16	NAS561-3-18	ROLL PIN EN -----	1	
-17	0711001-29	SPRING-DOOR STOP -----	1	
-18	0511463-1	CLIP-DOOR PANEL -----	2	
		ATTACHING PARTS -----		
	S1021Z4-4	SCREW -----	4	
		-----*		
-19	0711023-14	CHANNEL-UPHOLSTERY RETAINER -----	1	
-20	0711023-15	CHANNEL-UPHOLSTERY RETAINER -----	1	
-21	S1116-1	SEAL-144.00 IN LG BULK ITEM REF S1116-1-144.0 -----	1	
-22	0711061-2	LATCH ASSEMBLY-DOOR RH SEE FIGURE 51 -----	1	H
	1511205-6	LATCH ASSEMBLY-DOOR RH SEE FIGURE 51A -----	1	L
	1511205-14	LATCH ASSEMBLY-DOOR RH SEE FIGURE 51A -----	1	R
	1511205-17	LATCH ASSEMBLY-DOOR RH SEE FIGURE 51A -----	1	S
		ATTACHING PARTS -----		
	NAS220-5	SCREW -----	12	H
	NAS220-5	SCREW -----	2	E
	AN525-832R7	SCREW -----	8	E
		-----*		
	0711050-20	WINDOW ASSEMBLY-DOOR RH CLEAR -----	1	
	0711050-202	WINDOW ASSEMBLY-DOOR RH TINTED -----	1	J
		ATTACHING PARTS -----		
-23	CR163-4-4	RIVET CY -----	6	
		-----*		
-24	0711051-1	GLASS ASSEMBLY-WINDOW CLEAR -----	1	
	0711051-2	GLASS ASSEMBLY-WINDOW TINTED -----	1	J
-25	S1082-1	SEAL-83.75 IN LG BULK ITEM REF S-1082-1-83.75 -----	1	
-26	0711050-6	FRAME-WINDOW -----	1	
		ATTACHING PARTS -----		
-27	CR163-4-4	RIVET CY -----	6	
		-----*		

CONTINUED ON NEXT PAGE

FIGURE AND INDEX NO.	PART NUMBER	DESCRIPTION	UNITS PER ASSY	USABLE ON CODE
50 -28	1411202-201	BRACKET ASSEMBLY-WINDOW LATCH -----	1	
		ATTACHING PARTS -----		
-28A	NAS514P1032-14 NAS43HT3-34	SCREW ----- SPACER -----	2 2	
		*-----		
-28B	S1483-1	HANDLE ASSEMBLY-WINDOW RH -----	1	
		ATTACHING PARTS -----		
-28C	NAS561P3-8	PIN-ROLL -----	1	
		*-----		
-29	0711021-4	ARM ASSEMBLY-WINDOW -----	1	
		ATTACHING PARTS -----		
-30	AN525-10R8	SCREW -----	1	
		*-----		
-31	0711021-9	SPRING-WINDOW ARM -----	1	
-32	0411185-7	HINGE ASSEMBLY-WINDOW -----	2	
-33	S1378-2	SEAL-84.00 IN LG BULK ITEM REF S1378-2-84.00 -----	1	
-34	0413317-1	SPRING-DOOR HANDLE -----	1	
-35	0511189-2 1211836-1	ESCUTCHEON-DOOR HANDLE WHEN EXHAUSTED USE 1211836-1 ----- WASHER -----	1 1	P
-36	0711027-1 1211250-2 1211250-7 1211251-1	HANDLE-DOOR INSIDE ----- HANDLE ASSEMBLY-DOOR INSIDE RH ----- HANDLE ASSEMBLY-DOOR INSIDE ----- INSERT-DOOR HANDLE -----	1 1 1 1	S K R V N Q
-36A	0700166-2	PLACARD-DOOR HANDLE RH -----	1	W
-36B	0517006-2	HANDLE-DOOR INSIDE -----	1	
-37	0511189-1	CLIP-DOOR HANDLE RETAINING -----	1	
-38	0711093-1 0711021-7	PLATE-WINDOW LATCH ----- PLATE-WINDOW LATCH -----	1 1	F G
		ATTACHING PARTS -----		
-39	AN515-6R5	SCREW -----	2	
		*-----		
<p>A---SERIAL 185-0001 THRU 185-0512 B---SERIAL 185-0001 & ON SERIAL 18051313 & ON C---SERIAL 18051184 THRU 18051312 D---SERIAL 185-0513 THRU 185-0967 SERIAL 18051313 THRU 18051608 E---SERIAL 185-0968 & ON SERIAL 18051608 & ON F---SERIAL 185-0517 THRU 185-0786 SERIAL 18051184 THRU 18051464 G---SERIAL 185-0001 THRU 185-0516, 185-0787 & ON SERIAL 18051465 & ON H---SERIAL 185-0001 THRU 185-0967 SERIAL 18051184 THRU 18051607 J---SERIAL 185-1150 & ON SERIAL 18051775 & ON K---SERIAL 185-0001 THRU 185-1300 SERIAL 18051184 THRU 18051875 L---SERIAL 185-0968 THRU 185-1300 SERIAL 18051608 THRU 18051875 M---SERIAL 185-1150 THRU 185-1300 SERIAL 18051775 THRU 18051875 N---SERIAL 185-1301 THRU 18502090 SERIAL 18051876 THRU 18052284 P---SERIAL 185-0001 THRU 185-1599 SERIAL 18051184 THRU 18052103 Q---SERIAL 185-0968 THRU 185-1599 SERIAL 18051608 THRU 18052103 R---SERIAL 185-1301 THRU 185-1599 SERIAL 18051876 THRU 18052103 S---SERIAL 18501600 & ON SERIAL 18052104 & ON T---SERIAL 18501600 THRU 18501876 SERIAL 18052104 THRU 18052194 U---SERIAL 18501877 & ON SERIAL 18052195 & ON V---SERIAL 18501600 THRU 18502090 SERIAL 18052104 THRU 18052284 W---SERIAL 18502091 & ON SERIAL 18052285 & ON</p>				

Door & Window (Cont)



SERIAL 18051184 THRU 18051607
SERIAL 185-0001 THRU 185-0967

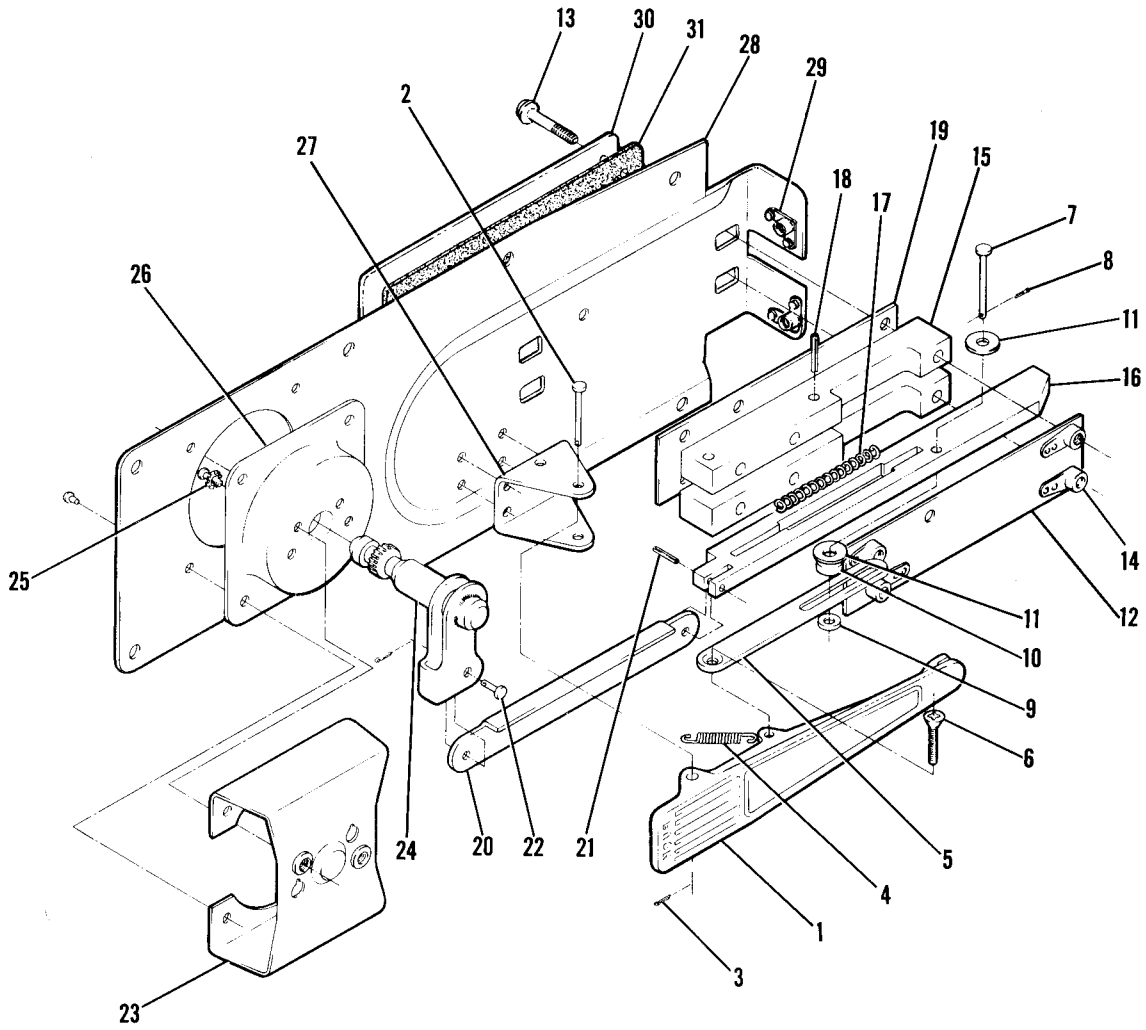
Figure 51. Removable Latch Assembly

FIGURE AND INDEX NO.	PART NUMBER	DESCRIPTION	UNITS PER ASSY	USABLE ON CODE
51 -		1 2 3 4 5 6 7		
	0711061-1	LATCH INSTALLATION-CABIN DOOR REMOVABLE -----	NP	A
	0711061-2	LATCH ASSEMBLY-CABIN DOOR LH -----	1	
		LATCH ASSEMBLY-CABIN DOOR RH -----	1	
		ATTACHING PARTS		
- 1	NAS220-5	SCREW -----	12	
		-----*		
- 2	0711062-1	BASE PLATE-LATCH LH -----	1	
	0711062-2	BASE PLATE-LATCH RH -----	1	
- 3	NAS697A08	NUTPLATE -----	2	
- 4	0711018-27	BRACKET -----	1	
- 5	0711132-1	BRACKET-LH -----	1	
	0711132-2	BRACKET-RH -----	1	
- 6	0711018-19	BRACKET-SPRING -----	2	
- 7	0711018-20	BRACKET-SPRING -----	2	
- 8	0711018-25	BRACKET-HANDLE -----	1	
- 9	0711063-1	BRACKET ASSEMBLY-DOOR LATCH LH -----	1	
	0711063-2	BRACKET ASSEMBLY-DOOR LATCH RH -----	1	
-10	0711029-1	SHAFT ASSEMBLY-DOOR LATCH LH -----	1	
	0711029-2	SHAFT ASSEMBLY-DOOR LATCH RH -----	1	
-11	0413195-5	PLATE ASSEMBLY-BEARING -----	1	
		ATTACHING PARTS		
-12	AN520-10R9	SCREW -----	2	
-13	AN936B10	WASHER -----	2	
		-----*		
CONTINUED ON PAGE 125				



FIGURE AND INDEX NO.	PART NUMBER	DESCRIPTION	UNITS PER ASSY	USABLE ON CODE
51 -14	0711060-1	SPRING-DOOR LATCH -----	1	
-15	0711019-1	SPRING-DOOR LATCH -----	1	
-16	0711017-1	BOLT-DOOR LATCH -----	1	
-17	0711018-36	STRAP ASSEMBLY-LATCH LH -----	1	
	0711018-37	STRAP ASSEMBLY-LATCH RH -----	1	
		ATTACHING PARTS		
-18	NAS561-4-9	ROLLPIN -----	1	
-19	MS20392-1C7	PIN -----	1	
-20	MS24665-132	PIN-COTTER -----	1	
		-----*		
-21	0711032-2	HANDLE-LATCH -----	1	
		ATTACHING PARTS		
-22	MS20392-1C33	PIN -----	1	
-23	MS24665-132	PIN-COTTER -----	1	
		-----*		
-24	0711018-32	PULL BAR-LATCH LH -----	1	
	0711018-33	PULL BAR-LATCH RH -----	1	
		ATTACHING PARTS		
-25	MS20392-1C23	PIN -----	2	
-26	MS24665-132	PIN-COTTER -----	2	
-27	NAS70A128-313	WASHER -----	3	
		-----*		
-28	0711016-1	SPRING-HANDLE -----	1	
-29	0711018-27	STOP -----	1	
		A---SERIAL 185-0001 THRU 185-0967 SERIAL 18051184 THRU 18051607		

Door & Window (Cont)



SERIAL 18051608 & ON
SERIAL 185-0968 & ON

Figure 51A. Cabin Door Latch Assembly

FIGURE AND INDEX NO.	PART NUMBER	DESCRIPTION	UNITS PER ASSY	USABLE ON CODE
		1 2 3 4 5 6 7		
51A-	1511205-6	LATCH ASSEMBLY-CABIN DOOR RH -----	1	A
	1511205-14	LATCH ASSEMBLY-CABIN DOOR RH -----	1	C
	1511205-17	LATCH ASSEMBLY-CABIN DOOR RH -----	1	D
	1511205-7	LATCH ASSEMBLY-CABIN DOOR LH -----	1	A
	1511205-13	LATCH ASSEMBLY-CABIN DOOR LH -----	1	C
	1511205-16	LATCH ASSEMBLY-CABIN DOOR LH -----	1	D
- 1	0711653-3	HANDLE-DOOR OUTSIDE -----	1	A
	1217005-2	HANDLE-DOOR OUTSIDE -----	1	C
	0517003-2	HANDLE-DOOR OUTSIDE -----	1	D
		ATTACHING PARTS		
- 2	MS20392-1C33	PIN -----	1	
- 3	MS24665-132	COTTER PIN -----	1	
		*-----		
- 4	0711016-1	SPRING-DOOR HANDLE -----	1	E
	0711788-1	SPRING-DOOR HANDLE -----	1	F
- 5	1511209-12	PULL BAR-DOOR HANDLE -----	1	
		ATTACHING PARTS		
- 6	AN507-632R6	SCREW -----	1	
- 7	MS20392-2C45	PIN -----	1	
- 8	MS24665-132	COTTER PIN -----	1	
- 9	AN960D10L	WASHER -----	1	
-10	NAS43DD3-12	SPACER -----	1	
-11	1511209-8	WASHER -----	2	
		*-----		
-12	1511206-20	BOLT GUIDE-TOP -----	1	
		ATTACHING PARTS		
-13	AN525-10R18	SCREW -----	4	
		*-----		
-14	NAS682A3	NUTPLATE -----	3	
	NAS698A3	NUTPLATE -----	1	
-15	1511206-11	BOLT GUIDE-SIDE -----	2	
-16	1511206-13	BOLT ASSEMBLY-LH -----	1	
	1511206-14	BOLT ASSEMBLY-RH -----	1	
		ATTACHING PARTS		
-17	1511207-1	SPRING -----	1	
-18	NAS561P4-15	ROLL PIN -----	2	
		*-----		
-19	1511206-4	BOLT GUIDE-BASE -----	1	
-20	1511209-10	PUSH ROD-LH -----	1	
	1511209-11	PUSH ROD-RH -----	1	
		ATTACHING PARTS		
-21	NAS561P4-6	ROLL PIN -----	1	
-22	MS20392-1C7	PIN -----	1	
	MS24665-132	COTTER PIN -----	1	
		*-----		
-23	0711063-6	BRACKET ASSEMBLY -----	1	
-24	1511212-3	SHAFT ASSEMBLY-LH WEU 1511212-5 -----	1	
	1511212-5	SHAFT ASSEMBLY-LH -----	1	
	1511212-1	SHAFT ASSEMBLY-RH WEU 1511212-6 -----	1	
	1511212-6	SHAFT ASSEMBLY-RH -----	1	
-25	AN520-10R9	SCREW -----	2	
-26	0413195-5	PLATE ASSEMBLY -----	1	
-27	1511209-1	BRACKET -----	1	
-28	1511208-4	PLATE ASSEMBLY-LH -----	1	A
	1511208-13	PLATE ASSEMBLY-LH -----	1	B
	1511208-3	PLATE ASSEMBLY-RH -----	1	A
	1511208-12	PLATE ASSEMBLY-RH -----	1	B
-29	NAS697A08K	NUTPLATE -----	2	
-30	1511208-16	SHIM -----	1	B
-31	1511208-17	BACKING-SHIM -----	1	B
		 A---SERIAL 18051608 THRU 18051875 SERIAL 185-0968 THRU 185-1300 B---SERIAL 18051876 & ON SERIAL 185-1301 & ON C---SERIAL 18051876 THRU 18052103 SERIAL 185-1301 THRU 185-1599 D---SERIAL 18052104 & ON SERIAL 18501600 & ON E---SERIAL 18051608 THRU 18052141 SERIAL 185-0968 THRU 18501691 & 18501695 THRU 18501699 F---SERIAL 18052141 & ON SERIAL 18501692, 18501693, 18501694 & 18501700 & ON		

Baggage Door

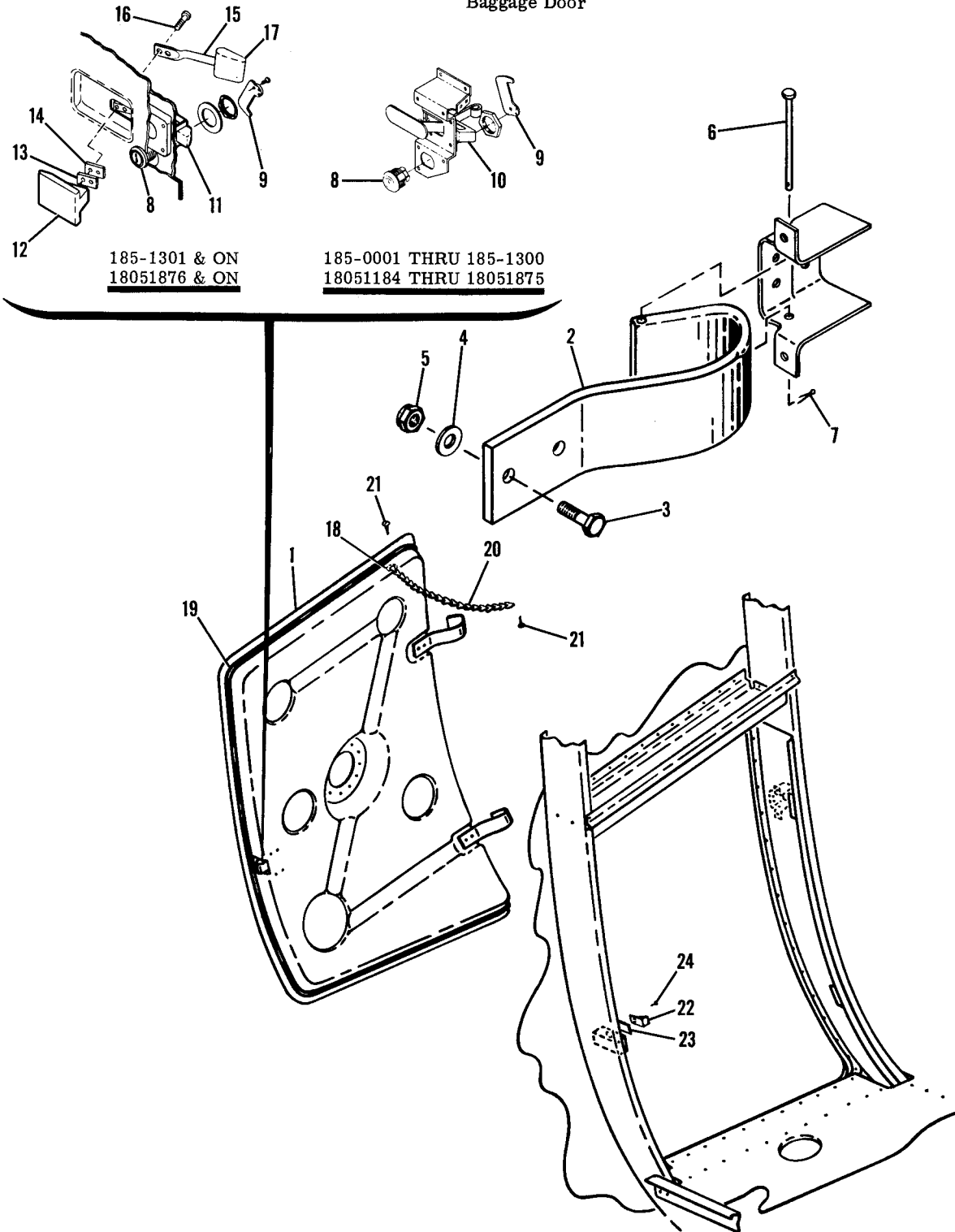


Figure 52. Baggage Door Installation



FIGURE AND INDEX NO.	PART NUMBER	DESCRIPTION	UNITS PER ASSY	USABLE ON CODE
52 -		BAGGAGE DOOR INSTALLATION-FUSELAGE -----	NP	
- 1	0711101-29	DOOR ASSEMBLY-BAGGAGE -----	1	A
	0711101-33	DOOR ASSEMBLY-BAGGAGE -----	1	D
	0711101-40	DOOR ASSEMBLY-BAGGAGE -----	1	C
	0717000-1	DOOR ASSEMBLY-BAGGAGE USED WITH LITTER DOOR ONLY -----	1	F
	0717000-13	DOOR ASSEMBLY-BAGGAGE WHEN EXHAUSTED USE 0717000-13 -----	1	H
	0717000-5	DOOR ASSEMBLY-BAGGAGE USED WITH LITTER DOOR ONLY -----	1	F
	0717000-15	WEU 071700-15 DOOR ASSEMBLY-BAGGAGE USED WITH LITTER DOOR ONLY -----	1	H
		ATTACHING PARTS		
- 2	0711102	HINGE-BAGGAGE DOOR -----	2	
- 3	AN520-10R10	SCREW -----	4	
- 4	AN960-10	WASHER -----	4	
- 5	MS21044N3	NUT -----	4	
- 6	MS20392-1C49	PIN-CLEVIS -----	2	
- 7	MS24665-132	PIN-COTTER -----	2	
		-----*		
- 8	0413323-3	LOCK ASSEMBLY-BAGGAGE DOOR WHEN EXHAUSTED -----	1	A
		USE C253001-0101 LOCK & 0711111-1 CAM		
	0413323-7	LOCK ASSEMBLY-BAGGAGE DOOR WHEN EXHAUSTED -----	1	B
		USE C253001-0101 LOCK & 0711134-1 CAM		
	C253001-0101	LOCK ASSEMBLY -----	1	G
- 9	0711111-1	CAM-BAGGAGE DOOR LOCK -----	1	A
	0711134-1	CAM-BAGGAGE DOOR LOCK -----	1	D
-10	S1189-1	LATCH ASSEMBLY-BAGGAGE DOOR -----	1	A
	S1189-2	LATCH ASSEMBLY-BAGGAGE DOOR 2 WAY -----	1	D
-11	S1359-8	LATCH ASSEMBLY-BAGGAGE DOOR -----	1	E
-12	0711705-1	HANDLE-OUTSIDE -----	1	E
-13	0711709-1	SPACER -----	1	E
-14	0711709-2	SHIM -----	1	E
-15	1211252-1	HANDLE-INSIDE -----	1	J
-16	S1931-8	SCREW -----	2	J
	M31AS832R6C	SCREW -----	2	K
-17	0813526-6	KNOB -----	1	J
-18	NAS680A08	NUTPLATE -----	1	
-19	S1084-1	SEAL-80.00 IN LG BULK ITEM REF S1084-1-80.00 -----	1	
-20	S1194-1-17	CHAIN -----	1	
		ATTACHING PARTS		
-21	AN515-8R6	SCREW -----	2	
		-----*		
-22	0311319-1	PLATE-STRIKE -----	1	
		ATTACHING PARTS		
-23	0311319-2	SHIM-STRIKE PLATE -----	1	
-24	AN515-8R8	SCREW -----	2	
		-----*		
		A---SERIAL 185-0001 THRU 185-0237 & 185-1301 & ON SERIAL 18051876 & ON		
		B---SERIAL 185-0238 THRU 185-1149 SERIAL 18051184 THRU 18051774		
		C---SERIAL 185-1150 THRU 185-1300 SERIAL 18051775 THRU 18051875		
		D---SERIAL 185-0238 THRU 185-1300 SERIAL 18051184 THRU 18051875		
		E---SERIAL 185-1301 & ON SERIAL 18051876 & ON		
		F---SERIAL 185-1301 THRU 18501819 SERIAL 18051876 THRU 18052170		
		G---SERIAL 185-1150 & ON SERIAL 18051775 & ON		
		H---SERIAL 18501820 & ON SERIAL 18052171 & ON		
		J---SERIAL 185-1301 THRU 18501832 SERIAL 18051876 THRU 18052175		
		K---SERIAL 18501833 & ON SERIAL 18052176 & ON		

Upholstery

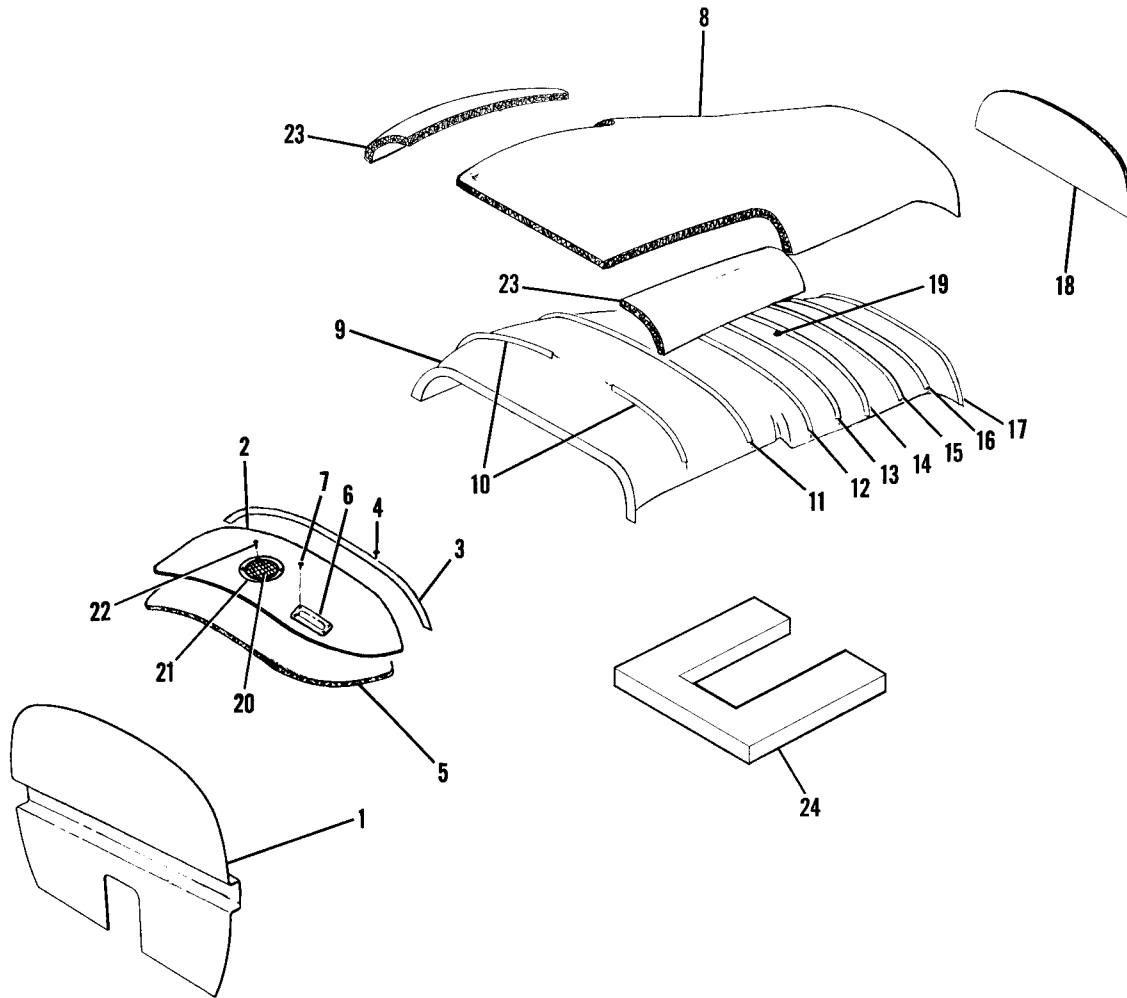


Figure 53. Cabin Top and Firewall Upholstery Installation

FIGURE AND INDEX NO.	PART NUMBER		DESCRIPTION	UNITS PER ASSY	USABLE ON CODE
53 -			1 2 3 4 5 6 7		
- 1	0700105-247 0400123-1	#	UPHOLSTERY INSTALLATION-CABIN TOP & FIREWALL ----- PANEL ASSEMBLY-FIREWALL ----- DISC-UPHOLSTERY RETAINER ----- ATTACHING PARTS	NP 1 2	
	S1021210-10 NAS446-5-3		SCREW ----- NUT ----- *-----	2 2	
- 2	0700105-226 0700114-62	# □	COVER-COWL DECK ----- COVER-COWL DECK -----	1 1	F G
- 3	0700058-1		RETAINER-COVER PANEL ----- ATTACHING PARTS	1	D
- 4	S1022A4-6B		SCREW ----- *-----	7	D
- 5	0511001-131		SOUNDPROOFING-COWL DECK -----	1	F
- 6	0713046		RETAINER-UPHOLSTERY ----- ATTACHING PARTS	1	
- 7	S102124-6		SCREW ----- *-----	4	
- 8	0511001-186		PANEL ASSEMBLY-CABIN TOP SOUNDPROOFING -----	1	
- 9	0700105-317 0700105-477 0700105-478	# # #	HEADLINER ASSEMBLY-CABIN TOP ----- HEADLINER ASSEMBLY-CABIN TOP ----- HEADLINER ASSEMBLY-CABIN TOP -----	1 1 1	C A B
-10	1200086-5		WIRE-HEADLINER -----	1	
-11	1200086-6		WIRE-HEADLINER -----	1	
-12	0700100-191		WIRE-HEADLINER -----	1	
-13	0700105-305		WIRE-HEADLINER -----	1	
-14	0700105-304 0700105-323		WIRE-HEADLINER ----- WIRE-HEADLINER -----	1 1	A B
-15	0700105-303		WIRE-HEADLINER -----	1	A
-16	0700105-302 0700105-322		WIRE-HEADLINER ----- WIRE-HEADLINER -----	1 1	A B
-17	0700105-301 0700105-321		WIRE-HEADLINER ----- WIRE-HEADLINER -----	1 1	A B
-18	0700105-282	#	PANEL ASSEMBLY-CABIN REAR UPPER SOUNDPROOF -----	1	
-19	S1430-1		HOOK-COAT HANGER -----	1	
-20	0713155-2 0500210-69		SCREEN ----- SCREEN -----	1 1	D E
-21	0713155-3 0513348-1		RETAINER ----- RETAINER ----- ATTACHING PARTS	1 1	D E
-22	S102126-8 NAS395-6-3		SCREW ----- NUT ----- *-----	4 4	
-23	B1 0700105-396	*	SOUNDPROOFING-FIBERGLASS MAT 1 IN. THICK BULK ITEM -- PANEL-CABIN TOP SIDE SOUNDPROOFING -----	AR 2	
-24	0400129-64 0414029-1		LIGHT SEAL WEU 0414029-1 ----- LIGHT SEAL -----	1 1	H J

NOTE. *GIVE DIMENSIONS WHEN ORDERING

NOTE. #THIS PART NUMBER MUST HAVE A SECOND DASH NUMBER ADDED TO DENOTE COLOR. REFER TO HOW TO ORDER UPHOLSTERED PARTS-PAGE XII.

NOTE. □THIS PART NUMBER MUST HAVE A SECOND DASH NUMBER ADDED TO DENOTE COLOR. REFER TO HOW TO ORDER INTERIOR PARTS-PAGE XIII.

- A---SERIAL 185-0513 & ON
SERIAL 18051313 & ON
- B---SERIAL 18051184 THRU 18051312
- C---SERIAL 185-0001 THRU 185-0512
- D---SERIAL 185-0001 THRU 185-0776
SERIAL 18051184 THRU 18051445
- E---SERIAL 185-0777 & ON
SERIAL 18051446 & ON
- F---SERIAL 185-0001 THRU 185-1149
SERIAL 18051184 THRU 18051774
- G---SERIAL 185-1150 & ON
SERIAL 18051775 & ON
- H---SERIAL 185-0001 THRU 18501832
SERIAL 18051184 THRU 18052175
- J---SERIAL 18501833 & ON
SERIAL 18052176 & ON

Upholstery (Cont)

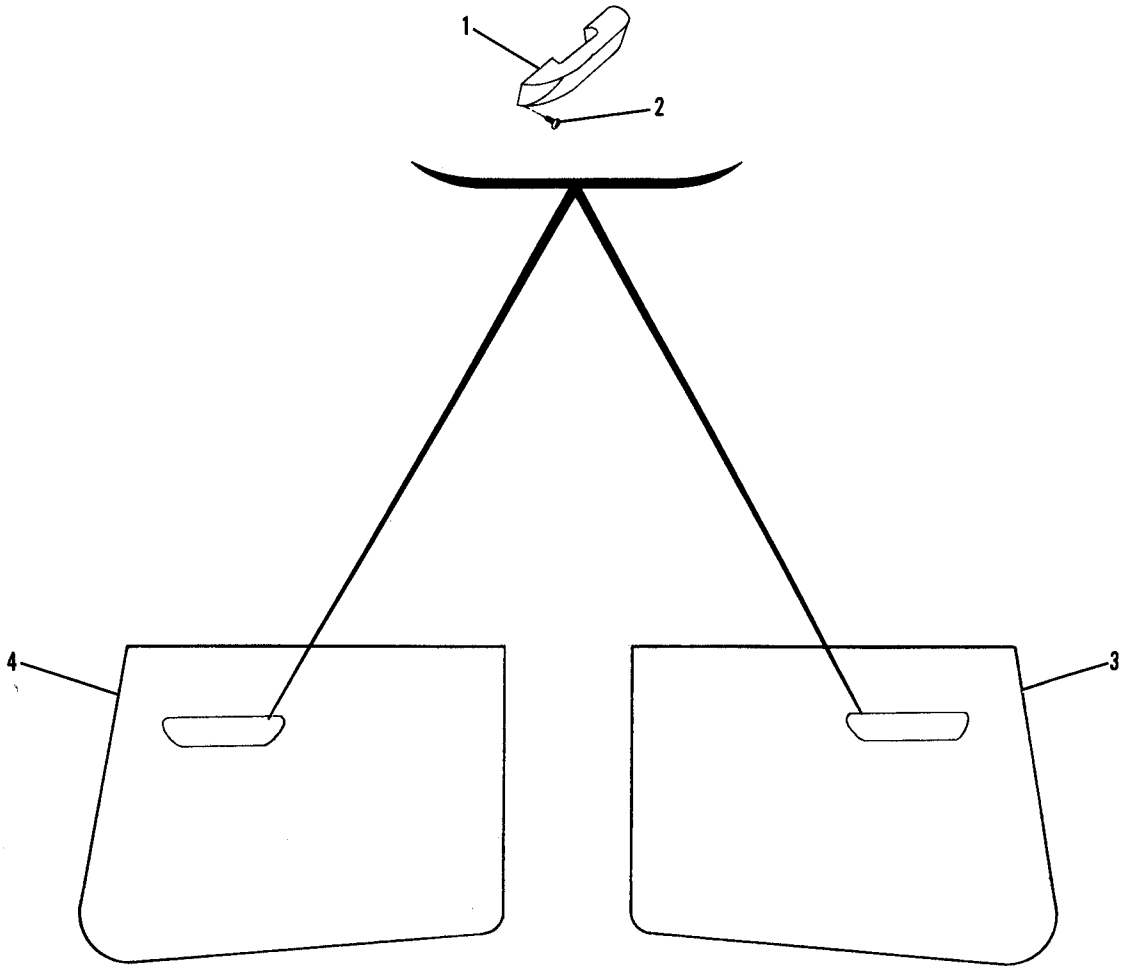
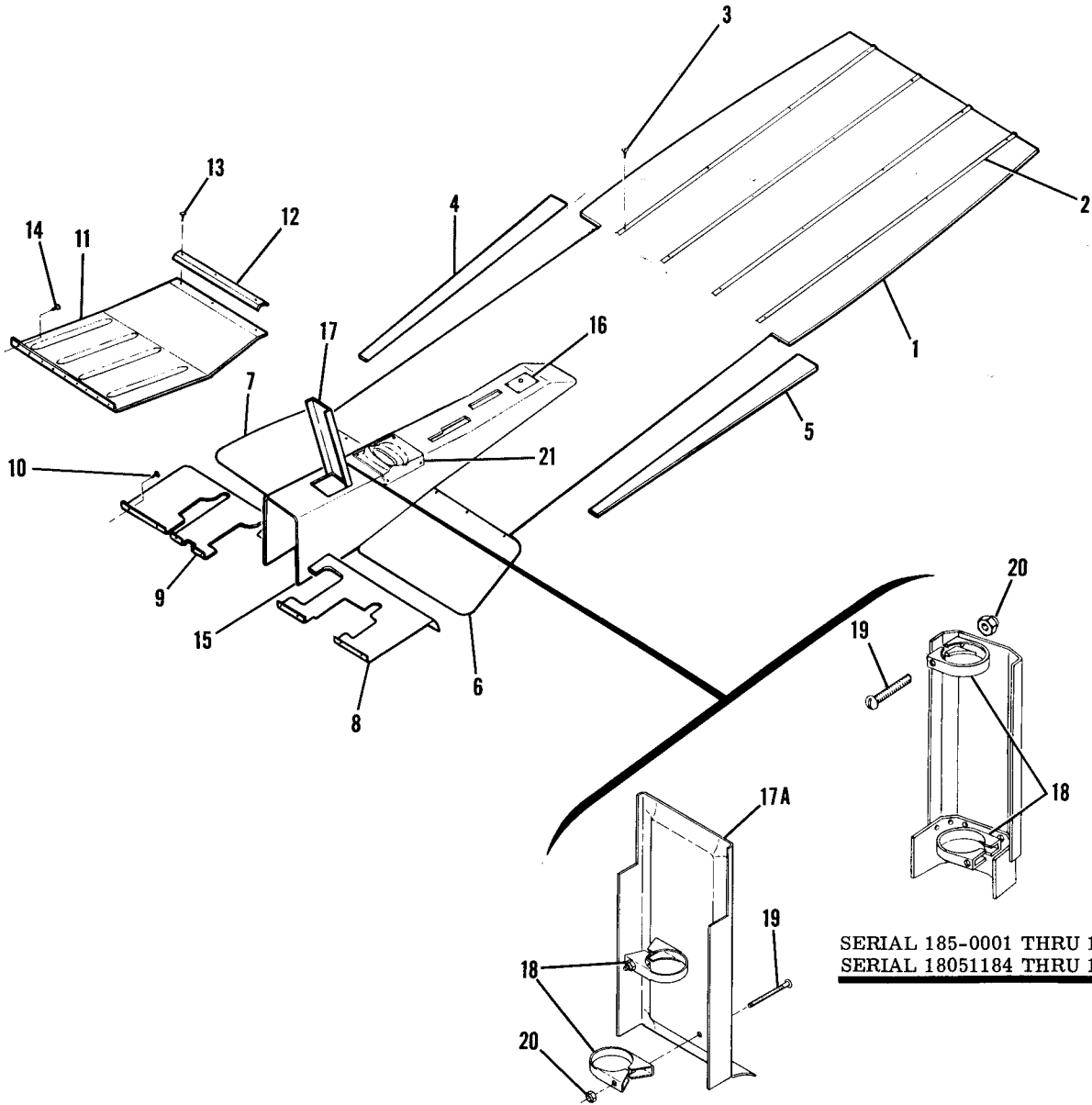


Figure 54. Cabin Doors Upholstery Installation



FIGURE AND INDEX NO.	PART NUMBER	DESCRIPTION	UNITS PER ASSY	USABLE ON CODE
54 -		UPHOLSTERY INSTALLATION-CABIN DOORS -----	NP	
- 1		DOOR PULL ASSEMBLY ORDER 1414082-20 & SEE NOTE % -----	NP	A
	1414082-7	ARMREST ASSEMBLY WHEN EXHAUSTED USE 1414082-20 -----	2	B
	1414082-14	ARMREST ASSEMBLY WHEN EXHAUSTED USE 1414082-20 -----	2	C
	1414082-18	ARMREST ASSEMBLY WHEN EXHAUSTED USE 1414082-20 -----	2	D
	1414082-20	ARMREST ASSEMBLY -----	2	H
		ATTACHING PARTS		
- 2	AN520-416R20	SCREW -----	2	A
	AN960C416L	WASHER -----	2	A
	1210054-1	SPACER -----	2	A
	NAS221-17	SCREW -----	2	E
		-----*		
	1414082-6	PAD ASSEMBLY-ARMREST PEARL BEIGE WHEN EXHAUSTED ---	1	B
		USE 1414082-21		
	1414082-13	PAD ASSEMBLY-ARMREST CLOUD GRAY WHEN EXHAUSTED ----	1	G
		USE 1414082-21		
	1414082-21	PAD ASSEMBLY-ARMREST BLACK -----	1	H
		ATTACHING PARTS		
	S1021Z8-8	SCREW -----	2	E
		-----*		
- 3	0700105-273	PANEL-UPHOLSTERY DOOR LH DELUXE 185 ONLY -----	1	A
	0700114-9	PANEL-UPHOLSTERY DOOR LH UTILITY -----	1	F
	0715015-9	PANEL-UPHOLSTERY DOOR LH -----	1	H
- 4	0700105-274	PANEL-UPHOLSTERY DOOR RH DELUXE 185 ONLY -----	1	A
	0700114-10	PANEL-UPHOLSTERY DOOR RH UTILITY -----	1	F
	0715015-10	PANEL-UPHOLSTERY DOOR RH -----	1	H
		ATTACHING PARTS		
	807	CLIP AU-VE-CD -----	13	A
	49265F938	STUD UC -----	AR	E
		-----*		
	B1	SOUNDPROOFING-FIBERGLASS MAT 1 IN THICK BULK ITEM ---	AR	
		NOTE. *GIVE DIMENSIONS WHEN ORDERING		
		NOTE. %WHEN INITIALLY ORDERING THIS PART FOR AIRCRAFT SERIALS 185-0001 THRU 185-0512 ALSO ORDER 1 0711774-1 BKT ASSY, 1 0711774-2 BKT ASSY & 2 NAS221-17 SCREWS.		
		NOTE. #THIS PART NUMBER MUST HAVE A SECOND DASH NUMBER ADDED TO DENOTE COLOR. REFER TO HOW TO ORDER INTERIOR PARTS-PAGE XIII.		
		A---SERIAL 185-0001 THRU 185-0512		
		B---SERIAL 185-0513 THRU 1850776		
		SERIAL 18051184 THRU 18051445		
		C---SERIAL 185-0777 THRU 185-0967		
		SERIAL 18051446 THRU 18051607		
		D---SERIAL 185-0968 THRU 185-1599		
		SERIAL 18051608 THRU 18052103		
		E---SERIAL 185-0513 & ON		
		SERIAL 18051184 & ON		
		F---SERIAL 185-0001 THRU 185-1599		
		SERIAL 18051184 THRU 18052103		
		G---SERIAL 185-0777 THRU 185-1599		
		SERIAL 18051446 THRU 18052103		
		H---SERIAL 18501600 & ON		
		SERIAL 18052104 & ON		

Upholstery (Cont)



SERIAL 185-0001 THRU 185-1300
SERIAL 18051184 THRU 18051875

SERIAL 185-1301 & ON
SERIAL 18051876 & ON

Figure 55. Floorboard Upholstery Installation



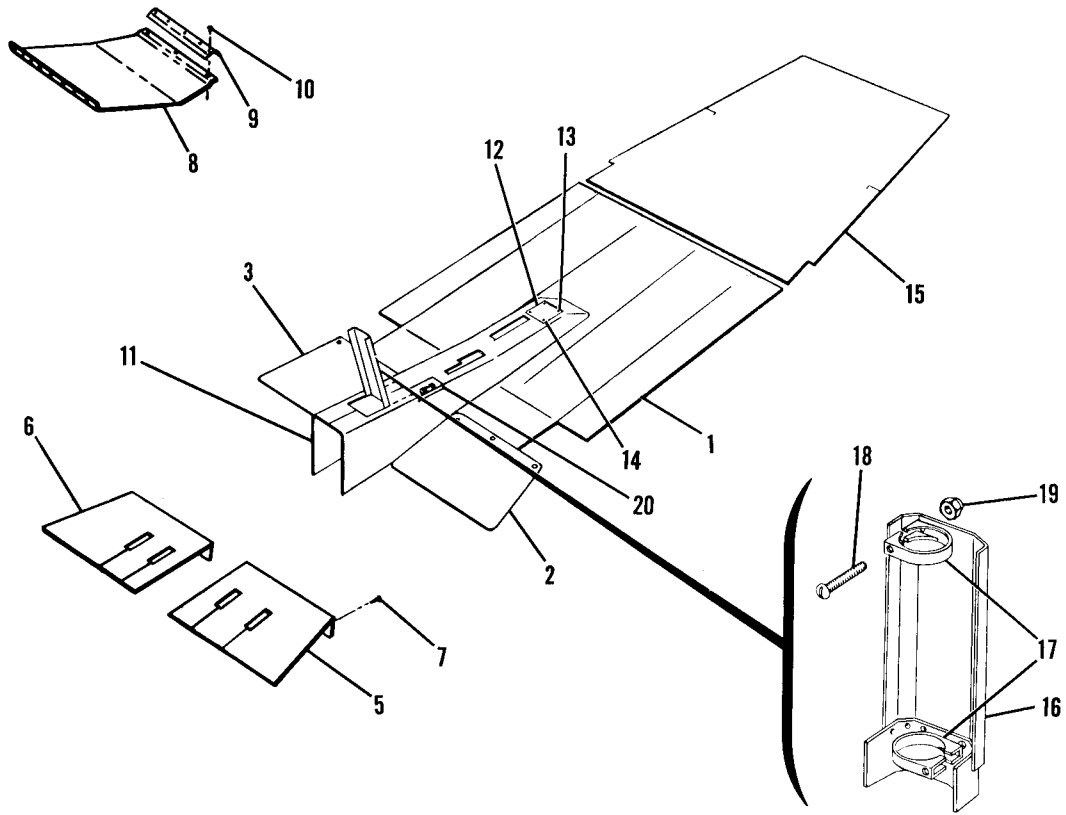
FIGURE AND INDEX NO.	PART NUMBER	DESCRIPTION							UNITS PER ASSY	USABLE ON CODE
		1	2	3	4	5	6	7		
55 -		UPHOLSTERY INSTALLATION-FLOORBOARD & BAGGAGE COMPARTMENT -----							NP	A
- 1	0700114-29								1	F
	0700114-49	#							1	S
	0700114-61	#							1	T
- 2	0711085-1								4	H
- 3	S1021Z8-10								4	H
- 4	0700114-50	#							1	G
	0700114-8								1	F
- 5	0700114-51	#							1	G
	0700114-7								1	F
- 6	0511475-1								1	Q
	0511475-7								1	R
- 7	0700101-144								1	D
	0511475-2								1	E
	0511475-8								1	R
	S1021Z6-8								4	
- 8	0713001-3								1	
- 9	0713001-2								1	
-10	S1021Z8-8								8	
-11	0713049-2								1	
-12	0713049-7								1	
-13	S1021Z8-14								3	
-14	S1021Z8-6								7	
-15	0700105-433								1	B
	0511168								1	B
	0700114-53	□							1	J
	0700191-1	□							1	U
	0700191-3	□							1	X
	0700114-27								1	X
	0700114-54-434								1	L
	0700114-54	□							1	M
	0700191-2	□							1	V
	S1021Z10-6								2	
-16	0716106-1								1	F
	0716106-2								1	F
	S1021Z8-10								2	
	S1021Z8-6								2	
-17	0700105-266								1	N
	0512046-1	□							1	P
-17A	0760006-1	□							1	W
-18	0411840								2	
-19	AN515-6R36								2	
-20	NAS679A06								2	
	B1	*							AR	

CONTINUED ON NEXT PAGE

FIGURE AND INDEX NO.	PART NUMBER	DESCRIPTION							UNITS PER ASSY	USABLE ON CODE
		1	2	3	4	5	6	7		
55 -21	0713093-2-243								1	C
	0713093-2	□							1	M
	0713257-1	□							1	V
	S102126-8								4	
		<p>COVER-RUDDER TRIM WHEEL -----</p> <p>COVER-RUDDER TRIM WHEEL -----</p> <p>COVER-RUDDER TRIM WHEEL -----</p> <p>ATTACHING PARTS</p> <p>SCREW -----</p> <p>-----*</p>								
		<p>NOTE. *GIVE DIMENSIONS WHEN ORDERING</p> <p>NOTE. #THIS PART NUMBER MUST HAVE A SECOND DASH NUMBER ADDED TO DENOTE COLOR. REFER TO HOW TO ORDER UPHOLSTERED PARTS-PAGE XII.</p> <p>NOTE. □THIS PART NUMBER MUST HAVE A SECOND DASH NUMBER ADDED TO DENOTE COLOR. REFER TO HOW TO ORDER INTERIOR PARTS-PAGE XIII.</p> <p>A---SERIAL 185-0001 & ON SERIAL 18051184 & ON FOR 185-0001 THRU 185-0512 DELUXE UPHOLSTERY SEE FIGURE 56.</p> <p>B---SERIAL 18051184 THRU 18051312</p> <p>C---SERIAL 185-0001 THRU 185-0776</p> <p>D---SERIAL 185-0001 THRU 185-0237</p> <p>E---SERIAL 185-0238 THRU 185-0967 SERIAL 18051184 THRU 18051607</p> <p>F---SERIAL 185-0001 THRU 185-0512</p> <p>G---SERIAL 185-0513 & ON SERIAL 18051184 & ON</p> <p>H---SERIAL 185-0001 & ON SERIAL 18051313 & ON</p> <p>J---SERIAL 18051313 THRU 18051875</p> <p>K---SERIAL 185-0001 THRU 185-0655</p> <p>L---SERIAL 185-0656 THRU 185-0776</p> <p>M---SERIAL 185-0777 THRU 185-1300</p> <p>N---SERIAL 185-0001 THRU 185-0776 SERIAL 18051184 THRU 18051445</p> <p>P---SERIAL 185-0777 THRU 185-1300 SERIAL 18051446 THRU 18051875</p> <p>Q---SERIAL 185-0001 THRU 185-0967 SERIAL 18051184 THRU 18051607</p> <p>R---SERIAL 185-0968 THRU 185-1149 SERIAL 18051608 THRU 18051774</p> <p>S---SERIAL 185-0513 THRU 185-1149 SERIAL 18051184 THRU 18051774</p> <p>T---SERIAL 185-1150 & ON SERIAL 18051775 & ON</p> <p>U---SERIAL 18051876 & ON</p> <p>V---SERIAL 185-1301 & ON SERIAL 18051994 & ON</p> <p>W---SERIAL 185-1301 & ON SERIAL 18051876 & ON</p> <p>X---SERIAL 18051994 & ON</p>								

This page intentionally left blank.

Upholstery (Cont)

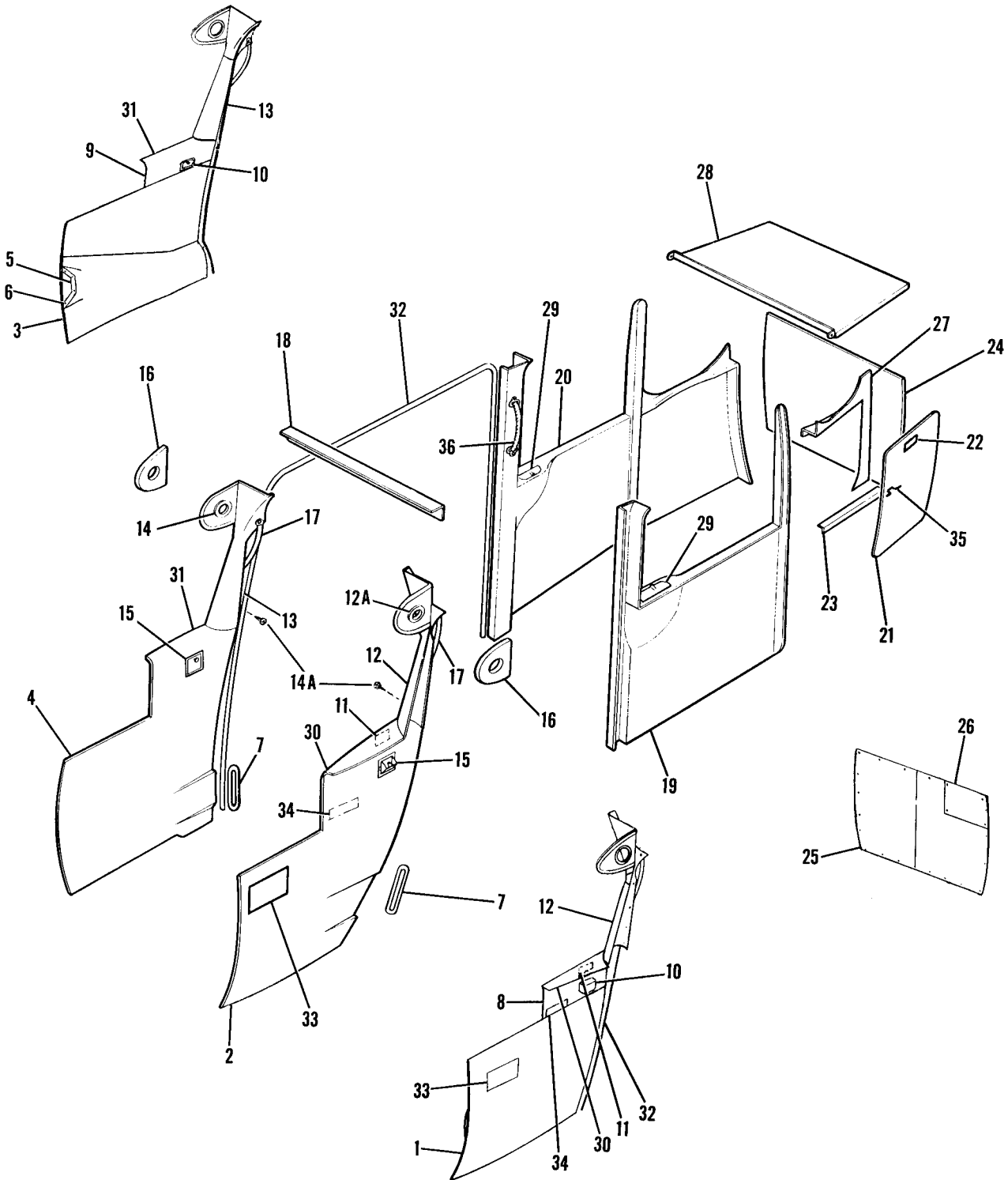


SERIAL 185-0001 THRU 185-0512 DELUXE

Figure 56. Floorboards Upholstery Installation (DeLuxe)

FIGURE AND INDEX NO.	PART NUMBER	DESCRIPTION	UNITS PER ASSY	USABLE ON CODE
		1 2 3 4 5 6 7		
56 -		UPHOLSTERY INSTALLATION-FLOORBOARD DELUXE -----	NP	C
	0700105-243	CARPET ASSEMBLY-CABIN FLOOR CENTER -----	1	
	0700105-203	CARPET ASSEMBLY-CABIN FLOOR CENTER USED WITH -----	1	
		DUAL CONTROLS		
- 1	0700105-201	CARPET-CABIN FLOOR CENTER -----	1	
		ATTACHING PARTS		
	S1023A4-6	SCREW -----	11	
	S1066C1	WASHER -----	11	
		*-----		
- 2	0700101-143	KICK PLATE-CARPET CENTER LH -----	1	A
	0511475-1	KICK PLATE-CARPET CENTER LH -----	1	B
- 3	0700101-144	KICK PLATE-CARPET CENTER RH USED WITH DUAL CONTROLS ---	1	
- 4		DELETED, NEVER USED -----		
- 5	0700105-261	SHIELD ASSEMBLY-RUDDER BAR LH -----	1	
- 6	0700105-262	SHIELD ASSEMBLY-RUDDER BAR RH USED WITH DUAL CONTROLS ---	1	
		ATTACHING PARTS		
- 7	S1021Z8-8	SCREW -----	8	
		*-----		
- 8	0713049-10	SHIELD ASSEMBLY-RUDDER BAR RH -----	1	
		ATTACHING PARTS		
- 9	0713049-7	RETAINER-SHIELD -----	1	
-10	S1021Z8-14	SCREW -----	3	
	S1021Z8-8	SCREW -----	8	
	S1021Z8-6	SCREW -----	5	
		*-----		
-11	0700114-27	TUNNEL -----	1	
-12	0716106-1	PLACARD-FUEL SELECTOR VALVE -----	1	
	0716106-2	PLACARD-FUEL SELECTOR VALVE USED WITH -----	1	
		EXTENDED RANGE FUEL TANK		
		ATTACHING PARTS		
-13	S1021Z8-10	SCREW -----	2	
-14	S1021Z8-6	SCREW -----	2	
		*-----		
-15	0700100-34	CARPET ASSEMBLY-BAGGAGE COMPARTMENT -----	1	
		ATTACHING PARTS		
	99608	STUD UC -----	3	
		*-----		
-16	0700105-266	SHIELD ASSEMBLY-CONTROL TEE -----	1	
		ATTACHING PARTS		
-17	0411840	CLAMP -----	2	
-18	AN515-6R36	SCREW -----	2	
-19	NAS679A06	NUT -----	2	
		*-----		
-20	0713093-2-243	COVER-RUDDER TRIM WHEEL -----	1	
		ATTACHING PARTS		
	S1021Z6-8	SCREW -----	4	
		*-----		
<p>NOTE. * THIS ITEM NOT INCLUDED IN 0700105-243 CARPET ASSEMBLY.</p> <p>A---SERIAL 185-0001 THRU 185-0237 B---SERIAL 185-0238 THRU 185-0512 C---SERIAL 185-0001 THRU 185-0512</p>				

Upholstery (Cont)



SERIAL 185-0001 THRU 185-1599
SERIAL 18051313 THRU 18052103

Figure 57. Cabin Side Panels & Baggage Compartment Upholstery Installation

FIGURE AND INDEX NO.	PART NUMBER	DESCRIPTION	UNITS PER ASSY	USABLE ON CODE
57 -		UPHOLSTERY INSTALLATION-CABIN SIDE PANELS & BAGGAGE COMPARTMENT DELUXE	NP	D
		UPHOLSTERY INSTALLATION-CABIN SIDE PANELS & BAGGAGE COMPARTMENT UTILITY	NP	C
- 1	0700105-253	PANEL ASSEMBLY-SIDEWALL LOWER FRONT LH DELUXE	1	A
- 2	0700105-455	PANEL ASSEMBLY-SIDEWALL FRONT LH DELUXE	1	F
	0700114-11	PANEL-SIDEWALL FRONT LH	1	P
	0700114-59	PANEL ASSEMBLY-SIDEWALL FRONT LH	1	Q
- 3	0700105-254	PANEL ASSEMBLY-SIDEWALL LOWER FRONT RH DELUXE	1	A
- 4	0700105-456	PANEL ASSEMBLY-SIDEWALL FRONT RH DELUXE	1	F
	0700114-12	PANEL-SIDEWALL FRONT RH	1	P
	0700114-56	PANEL-SIDEWALL FRONT RH	1	Q
- 5	0700100-192	RETAINER-UPHOLSTERY FORWARD DELUXE	1	B
- 6	S1023A4-6	SCREW	2	
- 7	0700105-28	RETAINER-UPHOLSTERY ATTACHING PARTS	2	
	S1021Z4-6	SCREW	3	
- 8	0713520-1	PANEL ASSEMBLY-SIDEWALL UPPER FRONT LH DELUXE	1	A
- 9	0713520-2	PANEL ASSEMBLY-SIDEWALL UPPER FRONT RH DELUXE	1	A
	S1021Z8-6B	SCREW ATTACHING PARTS	AR	
-10	0411030-6	TRAY-ASY RECEPTACLE WHEN EXHAUSTED USE S1762-2	1	
	S1762-2	TRAY-ASH RECEPTACLE	1	
	0411030-5	RETAINER-ASH RECEPTACLE ATTACHING PARTS	1	
	S1021Z4-8	SCREW	2	
	NAS446-1-3	NUT	2	
-11		PLACARD-OPERATIONAL LIMITATIONS SEE FIGURES 2 & 2A	1	
-12	0711133-11	SHIELD ASSEMBLY-FRONT DOORPOST LH CONTAINS SWITCH	1	G
	0711133-21	SHIELD ASSEMBLY-FRONT DOORPOST LH CONTAINS SWITCH	1	H
	0711133-32	SHIELD ASSEMBLY-FRONT DOORPOST LH CUTOUT FOR SWITCH	1	R
	0711133-41	SHIELD-FRONT DOORPOST LH CUTOUT FOR SWITCH	1	U
	0413484-5	SHIELD ASSEMBLY-FRONT DOORPOST LH CUTOUT FOR SWITCH	1	V
	0711133-29	SHIELD ASSEMBLY-FRONT DOORPOST LH NO SWITCH CUTOUT	1	M
	0711133-39	SHIELD-FRONT DOORPOST LH NO SWITCH CUTOUT	1	U
	0413484-3	SHIELD ASSEMBLY-FRONT DOORPOST LH NO SWITCH CUTOUT	1	V
	0711133-6	SHIELD-FRONT DOORPOST LH CUTOUT FOR SWITCH	1	G
	0711133-23	SHIELD-FRONT DOORPOST LH CUTOUT FOR SWITCH	1	H
-12A	0413235	GROMMET	1	P
-13	0711133-2	SHIELD ASSEMBLY-FRONT DOORPOST RH	1	G
	0711133-22	SHIELD ASSEMBLY-FRONT DOORPOST RH	1	M
	0711133-40	SHIELD-FRONT DOORPOST RH	1	Q
-14	0413235	GROMMET	1	P
-14A	S1021A4-6	SCREW	3	
-15	0411030-6	TRAY-ASH RECEPTACLE WHEN EXHAUSTED USE S1762-2	2	Y
	S1762-2	TRAY-ASH RECEPTACLE	2	X
	0411030-5	RETAINER-ASH RECEPTACLE ATTACHING PARTS	2	
	S1021Z4-8	SCREW	2	
	NAS446-1-3	NUT	2	
-16	0511001-133	SOUNDPROOFING SHIELD	2	
-17	0511229-2	STRAP-ASSIST	2	B
	S1362-5	HANDLE ASSEMBLY-ASSIST	2	E
	S1362-6	HANDLE ASSEMBLY-ASSIST	2	L
	AN507-1032-16	SCREW ATTACHING PARTS	2	
-18	0511130	SHIELD-FRONT SPAR ATTACHING PARTS	1	
	49265F938	STUD UC	3	
-19	0700114-33	PANEL ASSEMBLY-AFT LH DELUXE	1	B
	0700114-13	PANEL AFT LH UTILITY	1	B
	0700114-47	PANEL-AFT LH	1	J
-20	0700114-32	PANEL ASSEMBLY-AFT RH DELUXE	1	B
	0700114-14	PANEL AFT RH UTILITY	1	B
	0700114-48	PANEL-AFT RH	1	J

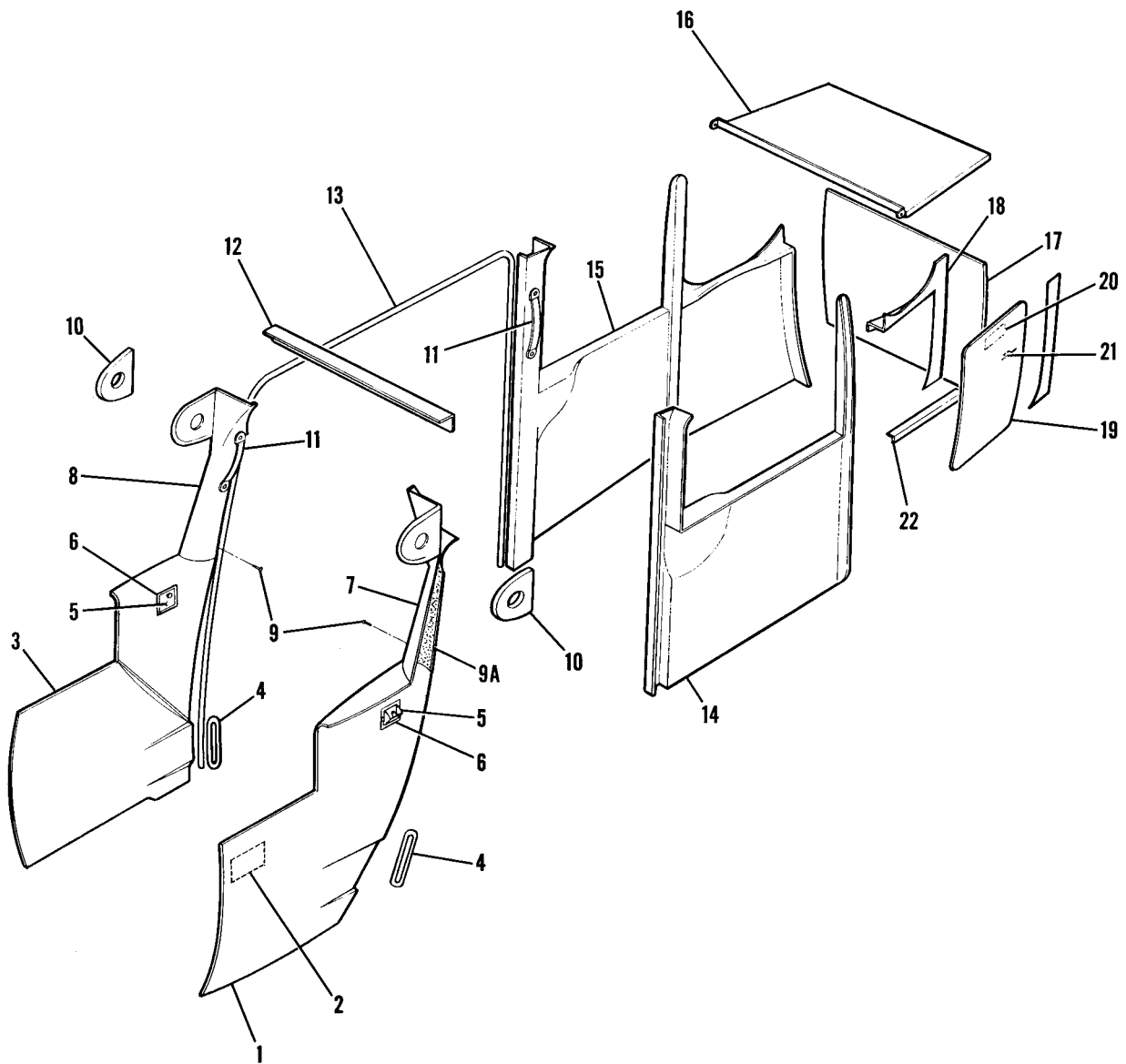
CONTINUED ON NEXT PAGE

FIGURE AND INDEX NO.	PART NUMBER	DESCRIPTION	UNITS PER ASSY	USABLE ON CODE
57 -21	0700114-35-273	PANEL ASSEMBLY-BAGGAGE DOOR -----	1	B
	0700114-35-434	PANEL ASSEMBLY-BAGGAGE DOOR -----	1	E
	0700114-35	PANEL ASSEMBLY-BAGGAGE DOOR -----	1	W
	0717000-4	PANEL ASSEMBLY-BAGGAGE DOOR -----	1	X
	XH99608-F1099	ATTACHING PARTS STUD -----	8	
		-----*		
-22	0713224-1	PLACARD-BAGGAGE DOOR WHEN EXHAUSTED USE 1205015-1 -----	1	Z
	1205015-1	PLACARD-BAGGAGE DOOR -----	1	AA
	S102174-6	ATTACHING PARTS SCREW -----	2	
		-----*		
-23	0311623-1	SCUFF PLATE-BAGGAGE COMPARTMENT FLOOR -----	1	
	S102174-4	ATTACHING PARTS SCREW -----	3	
		-----*		
-24	0711079-1	TRAY ASSEMBLY USE ON ALL EXCEPT FOUR PLACE -----	1	
	0700105-202	PANEL ASSEMBLY FOUR PLACE ONLY -----	1	S
-25	0711079-6	PANEL ASSEMBLY FOUR PLACE ONLY -----	1	T
	0700105-418	PANEL ASSEMBLY USE WHEN OXYGEN SYSTEM IS INSTALLED -----	1	N
	49265F938	ATTACHING PARTS STUD UC -----	18	
	49265F938	STUD UC USE WHEN OXYGEN SYSTEM IS INSTALLED -----	19	N
		-----*		
-26	0700105-419	COVER ASSEMBLY USE WHEN OXYGEN SYSTEM IS INSTALLED -----	1	N
-27	0700114-20	FAIRING-LH STA 108.0 -----	1	
-28	0513013-12	BAGGAGE SHELF -----	1	
	AN3-3A	ATTACHING PARTS BOLT -----	4	
	S102176-6	SCREW -----	9	
		-----*		
-29	0411030-6	TRAY-ASH RECEPTACLE WHEN EXHAUSTED USE S1762-2 -----	2	B
	S1762-2	TRAY-ASH RECEPTACLE -----	1	B
	0411030-5	RETAINER-ASH RECEPTACLE -----	2	B
	S102174-8	ATTACHING PARTS SCREW -----	2	B
	NAS446-1-3	NUT -----	2	B
		-----*		
-30	0700105-463	CHANNEL-UPHOLSTERY LH -----	1	
-31	0700105-464	CHANNEL-UPHOLSTERY RH -----	1	
-32	0700105-407	WINDLACE ASSEMBLY-UPHOLSTERY -----	2	
	S102174-4	ATTACHING PARTS SCREW -----	44	
		-----*		

CONTINUED ON NEXT PAGE

FIGURE AND INDEX NO.	PART NUMBER	DESCRIPTION	UNITS PER ASSY	USABLE ON CODE
		1 2 3 4 5 6 7		
57 -33	0500103-133	HOLDER-PLACARD -----	1	
-34		PLACARD-HOT AIR INDUCTION SEE FIGURE 2 -----	1	
-35	S1273-1	HANDLE-BAGGAGE DOOR PULL -----	1	
		ATTACHING PARTS -----		
	AN515-8R8	SCREW -----	2	
		-----*		
-36	B1 *	SOUNDPROOFING-FIBERGLASS MAT 1 IN. THICK BULK ITEM --	AR	
	S1362-5	HANDLE ASSEMBLY-ASSIST -----	2	K
	S1362-6	HANDLE ASSEMBLY-ASSIST -----	2	L
		ATTACHING PARTS -----		
	AN507-1032R10	SCREW -----	2	
		-----*		
<p>NOTE. *GIVE DIMENSIONS WHEN ORDERING</p> <p>NOTE. †THESE PARTS ARE USED ON UTILITY UPHOLSTERY INSTALLATIONS 185-0001 THRU 185-0967 & 18051313 THRU 18051607. THEY ARE ALSO USED ON DELUXE UPHOLSTERY INSTALLATION 185-0513 THRU 185-0967 & 18051313 THRU 18051607.</p> <p>NOTE. ‡THIS PART NUMBER MUST HAVE A SECOND DASH NUMBER ADDED TO DENOTE COLOR. REFER TO HOW TO ORDER INTERIOR PARTS-PAGE XIII.</p> <p>NOTE. §THIS PART NUMBER MUST HAVE A SECOND DASH NUMBER ADDED TO DENOTE COLOR. REFER TO HOW TO ORDER UPHOLSTERED PARTS-PAGE XII.</p> <p>A---SERIAL 185-0001 THRU 185-0237 B---SERIAL 185-0001 THRU 185-0512 C---SERIAL 185-0001 THRU 185-1599 SERIAL 18051313 THRU 18052103 D---SERIAL 185-0001 THRU 185-0512 SERIAL 18051313 THRU 18052103 E---SERIAL 185-0513 THRU 185-0776 SERIAL 18051313 THRU 18051445 F---SERIAL 185-0238 THRU 185-0512 G---SERIAL 185-0001 THRU 185-0538 H---SERIAL 185-0539 THRU 185-0776 SERIAL 18051313 THRU 18051445 J---SERIAL 185-0513 THRU 185-1599 SERIAL 18051313 THRU 18052103 K---SERIAL 185-0654 THRU 185-0776 SERIAL 18051313 THRU 18051445 L---SERIAL 185-0777 THRU 185-1599 SERIAL 18051446 THRU 18052103 M---SERIAL 185-0539 THRU 185-0967 SERIAL 18051313 THRU 18051607 N---SERIAL 185-0001 THRU 185-0776 SERIAL 18051313 THRU 18051445 P---SERIAL 185-0001 THRU 185-0967 SERIAL 18051313 THRU 18051607 Q---SERIAL 185-0968 THRU 185-1599 SERIAL 18051608 THRU 18052103 R---SERIAL 185-0777 THRU 185-0967 SERIAL 18051446 THRU 18051607 S---SERIAL 185-0001 THRU 185-1149 SERIAL 18051313 THRU 18051774 T---SERIAL 185-1150 THRU 185-1599 SERIAL 18051775 THRU 18052103 U---SERIAL 185-0968 THRU 185-1197 & 185-1200 SERIAL 18051608 THRU 18051823 V---SERIAL 185-1198, 185-1199, 185-1201 THRU 185-1599 SERIAL 18051824 THRU 18052103 W---SERIAL 185-0777 THRU 185-1300 SERIAL 18051446 THRU 18051875 X---SERIAL 185-1301 THRU 185-1599 SERIAL 18051876 THRU 18052103 Y---SERIAL 185-0001 THRU 185-1300 SERIAL 18051313 THRU 18051875 Z---SERIAL 185-0001 THRU 185-1447 SERIAL 18051313 THRU 18051993 AA---SERIAL 185-1448 THRU 185-1599 SERIAL 18051994 THRU 18052103</p>				

Upholstery (Cont)



SERIAL 18501600 & ON
SERIAL 18052104 & ON

Figure 57A. Cabin Side Panel & Baggage Compartment Upholstery Installation



FIGURE AND INDEX NO.	PART NUMBER		DESCRIPTION							UNITS PER ASSY	USABLE ON CODE
			1	2	3	4	5	6	7		
57A-			UPHOLSTERY INSTALLATION-CABIN SIDE PANELS & BAGGAGE COMPARTMENT							NP	A
- 1	0715015-3	#	PANEL ASSEMBLY-FRONT LH							1	
- 2	0500103-133		HOLDER-PLACARD							1	
- 3	0715015-6	#	PANEL ASSEMBLY-FRONT RH							1	
- 4	0700105-24		RETAINER-UPHOLSTERY							2	
	S1021Z4-6		ATTACHING PARTS								
			SCREW							3	

- 5	S1762-2		TRAY-ASH RECEPTACLE							2	
- 6	0411030-5		RETAINER-ASH RECEPTACLE							2	
			ATTACHING PARTS								
	S1021Z4-8		SCREW							2	
	NAS446-1-3		NUT							2	

- 7	0413484-3	□	SHIELD ASSEMBLY-FRONT DOORPOST LH				NO SWITCH CUTOUT			1	D
	0413484-15	□	SHIELD ASSEMBLY-FRONT DOORPOST LH				NO SWITCH CUTOUT			1	E
	0413484-5	□	SHIELD ASSEMBLY-FRONT DOORPOST LH				CUTOUT FOR SWITCH			1	D
	0413484-16	□	SHIELD ASSEMBLY-FRONT DOORPOST LH				CUTOUT FOR SWITCH			1	E
- 8	0711133-40	□	SHIELD-FRONT DOORPOST RH							1	D
	0711133-72	□	SHIELD-FRONT DOORPOST RH							1	E
			ATTACHING PARTS								
- 9	S1021A4-6		SCREW							4	

- 9A	0513425-1		PAD-DOORPOST SHIELD							2	C
-10	0511001-133		SOUNDPROOFING-SHIELD							2	
-11	S1362-12		HANDLE ASSEMBLY-ASSIST							4	
			ATTACHING PARTS								
	AN507-1032R10		SCREW							2	

-12	0511130	□	SHIELD-FRONT SPAR							1	
			ATTACHING PARTS								
	S1898-2		STUD							3	

-13	0700105-407	#	WINDLACE ASSEMBLY							2	
			ATTACHING PARTS								
	S1021Z4-4		SCREW							44	

-14	0715015-11	□	PANEL-AFT LH							1	
-15	0715015-12	□	PANEL-AFT RH							1	
-16	0513013-12	□	BAGGAGE SHELF							1	
			ATTACHING PARTS								
	AN3-3A		BOLT							4	
	S1021Z6-6		SCREW							9	

-17	0711079-1	□	TRAY ASSEMBLY							1	
	0711079-6	□	TRAY ASSEMBLY USED WITH BAGGAGE SHELF ONLY							1	
			ATTACHING PARTS								
	49265F938		STUD UC							AR	

-18	0700114-20	□	FAIRING-LH							1	
-19	0715015-13	□	PANEL ASSEMBLY-BAGGAGE DOOR							1	B
	0715015-14	□	PANEL ASSEMBLY-BAGGAGE DOOR							1	C
			ATTACHING PARTS								
	S1950-4		SCREW							AR	

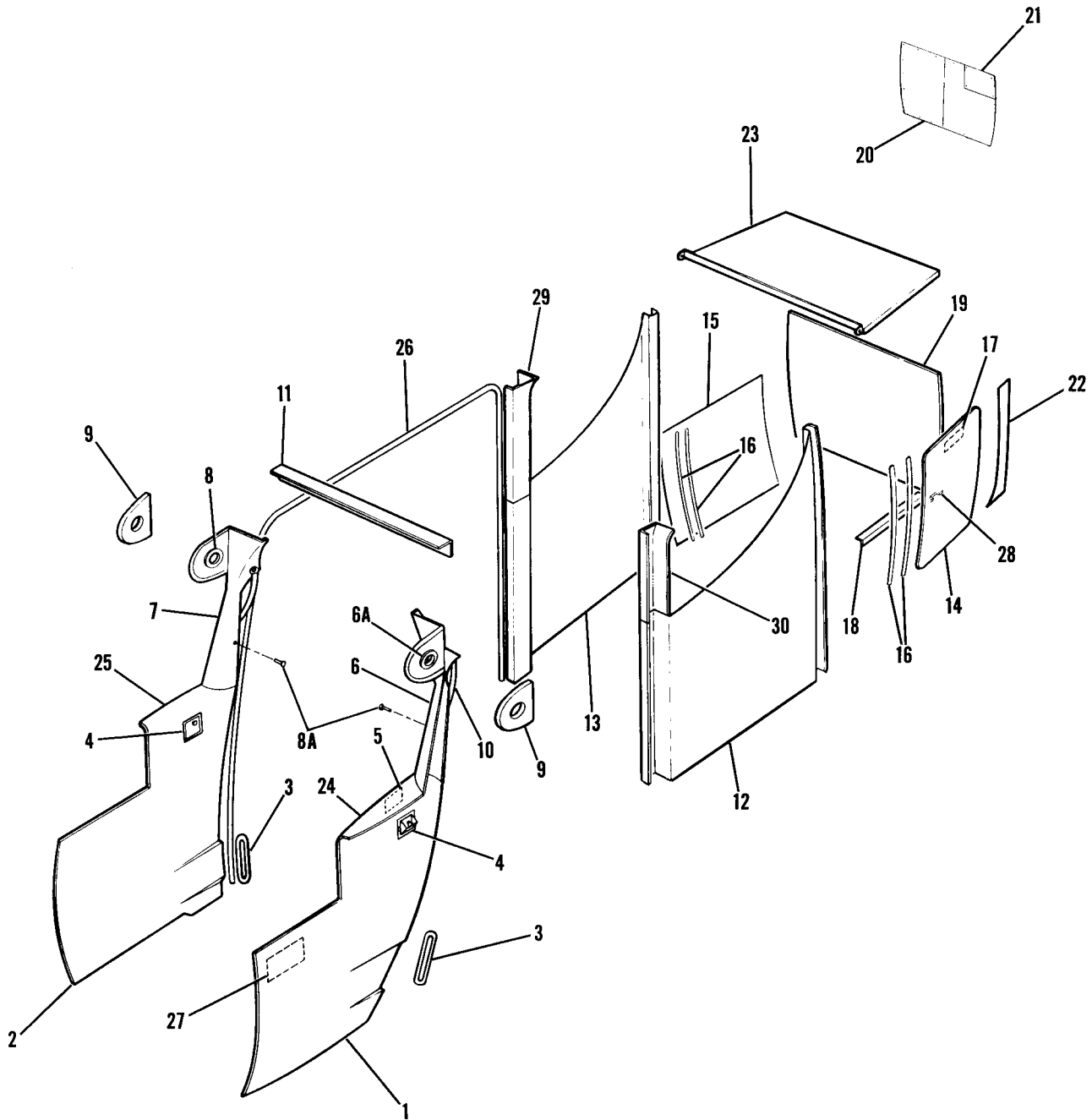
-20			PLACARD-BAGGAGE DOOR SEE FIGURES 2B & 2C							1	
-21	S1273-1		HANDLE-BAGGAGE DOOR PULL							1	
			ATTACHING PARTS								
	AN515-8R8		SCREW							2	

CONTINUED ON NEXT PAGE

FIGURE AND INDEX NO.	PART NUMBER	DESCRIPTION	UNITS PER ASSY	USABLE ON CODE
57A-22	0311623-1 S1021Z4-4	<p style="text-align: center;">1 2 3 4 5 6 7</p> <p>SCUFF PLATE-BAGGAGE COMPARTMENT FLOOR ----- ATTACHING PARTS SCREW ----- ---*---</p> <p>NOTE. #THIS PART NUMBER MUST HAVE A SECOND DASH NUMBER ADDED TO DENOTE COLOR. REFER TO HOW TO ORDER UPHOLSTERED PARTS-PAGE XII.</p> <p>NOTE. #THIS PART NUMBER MUST HAVE A SECOND DASH NUMBER ADDED TO DENOTE COLOR. REFER TO HOW TO ORDER UPHOLSTERED PARTS-PAGE XIII.</p> <p>A---SERIAL 18052104 & ON SERIAL 18501600 & ON B---SERIAL 18052104 THRU 18052175 SERIAL 18501600 THRU 18501832 C---SERIAL 18052176 & ON SERIAL 18501833 & ON D---SERIAL 18052104 THRU 18052284 SERIAL 18501600 THRU 18502090 E---SERIAL 18052285 & ON SERIAL 18502090 & ON</p>	1 3	

FIGURE AND INDEX NO.	PART NUMBER	DESCRIPTION	UNITS PER ASSY	USABLE ON CODE
		1 2 3 4 5 6 7		
58 -		UPHOLSTERY INSTALLATION-CABIN SIDE PANELS & ----- BAGGAGE COMPARTMENT	NP	A
- 1	0700114-11	PANEL-SIDEWALL FRONT LH -----	1	
- 2	0700114-12	PANEL-SIDEWALL FRONT RH -----	1	
- 3	0700105-28	RETAINER-UPHOLSTERY ----- ATTACHING PARTS	2	
	S1021Z4-6	SCREW ----- ---*---	4	
- 4	0411030-6	TRAY-ASH RECEPTACLE -----	2	
	0411030-5	RETAINER-ASH RECEPTACLE ----- ATTACHING PARTS	2	
	S1021Z4-8	SCREW -----	2	
	NAS446-1-3	NUT ----- ---*---	2	
- 5	0713207-1	PLACARD-OPERATIONAL LIMITATIONS -----	1	
CONTINUED ON NEXT PAGE				

Upholstery (Cont)



SERIAL 18051184 THRU 18051312

Figure 58. Cabin Side Panels & Baggage Compartment Upholstery Installation

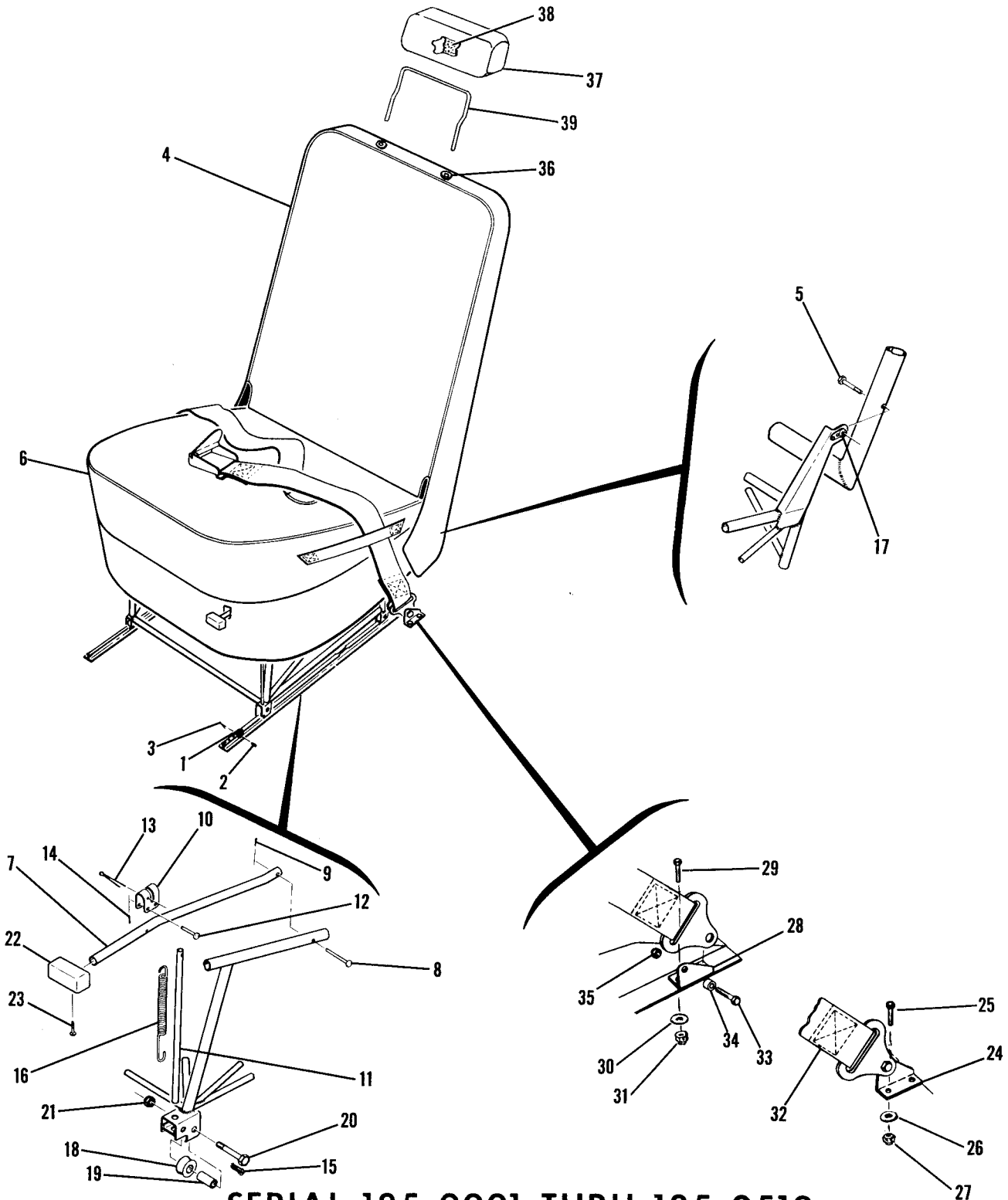


FIGURE AND INDEX NO.	PART NUMBER	DESCRIPTION							UNITS PER ASSY	USABLE ON CODE
		1	2	3	4	5	6	7		
58 - 6	0711133-11	SHIELD ASSEMBLY-DOORPOST UPPER LH	CONTAINS SWITCH	-----					1	B
	0711133-21	SHIELD ASSEMBLY-DOORPOST UPPER LH	CONTAINS SWITCH	-----					1	C
	0711133-29	SHIELD ASSEMBLY-DOORPOST UPPER LH	NO SWITCH CUTOUT	-----					1	C
	0711133-6	SHIELD-DOORPOST UPPER LH	CUTOUT FOR SWITCH	-----					1	B
	0711133-23	SHIELD-DOORPOST UPPER LH	CUTOUT FOR SWITCH	-----					1	C
- 6A	0413235	GROMMET	-----						1	
- 7	0711133-2	SHIELD-DOOR POST UPPER RH	-----						1	B
	0711133-22	SHIELD-DOORPOST UPPER RH	-----						1	C
- 8	0413235	GROMMET	-----						1	
- 8A	S1021Z4-6	SCREW	-----						6	
- 9	0511001-133	SOUNDPROOFING SHIELD	-----						2	
-10	S1362-5	STRAP-ASSIST	-----						2	
		ATTACHING PARTS	-----							
	AN507-1032-10	SCREW	-----						2	
		-----*	-----							
-11	0511130	SHIELD-FRONT SPAR	-----						1	
		ATTACHING PARTS	-----							
	49265F938	STUD	-----						3	
		-----*	-----							
-12	0700105-479	PANEL-AFT LH	-----						1	
-13	0700105-480	PANEL-AFT RH	-----						1	
-14	0700114-35-273	PANEL ASSEMBLY-BAGGAGE DOOR	-----						1	
		ATTACHING PARTS	-----							
	99608K2215	STUD UC	-----						8	
		-----*	-----							
-15	0700105-204	PANEL ASSEMBLY-BAGGAGE COMPARTMENT RH	-----						1	
-16	S202RB	CHANNEL-RUBBER MOULDING	BULK ITEM	-----					AR	
-17	0512166-1	PLACARD-LOAD LIMITS	-----						1	
		ATTACHING PARTS	-----							
	S1021Z4-6	SCREW	-----						2	
		-----*	-----							
-18	0311623-1	SCUFF PLATE	-----						1	
		ATTACHING PARTS	-----							
	S1021Z4-4	SCREW	-----						3	
		-----*	-----							
-19	0711079-1	TRAY ASSEMBLY	USE ON ALL EXCEPT FOUR PLACE	-----					1	
	0700105-202	PANEL ASSEMBLY	FOUR PLACE ONLY	-----					1	
-20	0700105-418	PANEL ASSEMBLY	USE WHEN OXYGEN SYSTEM IS INSTALLED	-----					1	
		ATTACHING PARTS	-----							
	49265F938	STUD UC	-----						18	
	49265F938	STUD UC	USE WHEN OXYGEN SYSTEM IS INSTALLED	-----					19	
		-----*	-----							
-21	0700105-419	COVER ASSEMBLY	USE WHEN OXYGEN SYSTEM IS INSTALLED	----					1	
-22	0700105-265	FAIRING-LH	STA 108.0	-----					1	
-23	0513013-12	BAGGAGE SHELF	-----						1	
		ATTACHING PARTS	-----							
	AN3-3A	BOLT	-----						4	
	S1021Z4-4	SCREW	-----						10	
		-----*	-----							
-24	0700105-463	CHANNEL-UPHOLSTERY LH	-----						1	
-25	0700105-464	CHANNEL-UPHOLSTERY RH	-----						1	
-26	0700105-407	WINDLACE ASSEMBLY-UPHOLSTERY	-----						2	
		ATTACHING PARTS	-----							
	S1021Z4-4	SCREW	-----						44	
		-----*	-----							
-27	0500103-133	HOLDER-PLACARD	-----						1	
-28	S1273-1	HANDLE-BAGGAGE DOOR PULL	-----						1	
		ATTACHING PARTS	-----							
	AN515-8R8	SCREW	-----						2	
		-----*	-----							
-29	B1	SOUNDPROOFING-FIBERGLASS MAT	1 IN.THICK	BULK ITEM	----				AR	
	1200084-6	FAIRING-REAR DOORPOST RH	-----						1	
-30	1200084-7	FAIRING-REAR DOORPOST LH	-----						1	

NOTE. * GIVE DIMENSIONS WHEN ORDERING

A---SERIAL 18051184 THRU 18051312
 B---SERIAL 18051184 THRU 18051208
 C---SERIAL 18051209 THRU 18051312

Front Seat



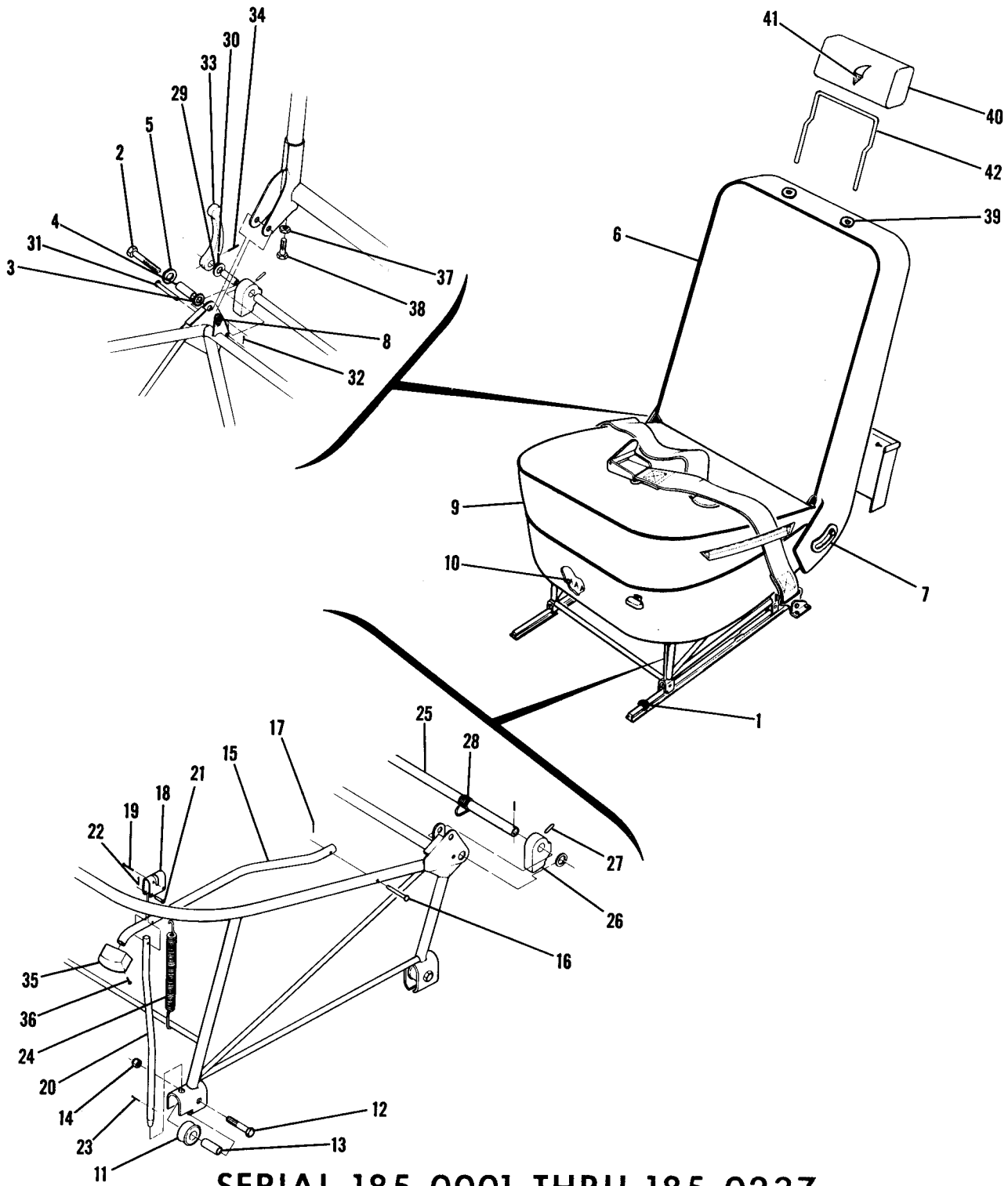
SERIAL 185-0001 THRU 185-0512

Figure 59. Front Seat Installation



FIGURE AND INDEX NO.	PART NUMBER	DESCRIPTION							UNITS PER ASSY	USABLE ON CODE
		1	2	3	4	5	6	7		
59 -		SEAT INSTALLATION-FRONT -----							NP	A
	0700105-408	SEAT ASSEMBLY-FRONT					UTILITY UPHOLSTERY	-----	2	
	0700105-369	SEAT ASSEMBLY-FRONT					DELUXE UPHOLSTERY	-----	2	
		ATTACHING PARTS								
- 1	0713074-1	STOP-SEAT -----							2	
- 2	MS20392-1C21	PIN-CLEVIS -----							2	
- 3	MS24665-151	PIN-COTTER -----							2	
		-----*								
- 4	0700105-413	BACK ASSEMBLY-SEAT UPHOLSTERED					UTILITY UPHOLSTERY	-----	1	
	0700105-361	BACK ASSEMBLY-SEAT UPHOLSTERY					DELUXE UPHOLSTERY	-----	1	
		ATTACHING PARTS								
- 5	AN4-13A	BOLT -----							2	
		-----*								
	0700105-415	COVER ASSEMBLY-SEAT BACK					UTILITY UPHOLSTERY	-----	1	
	0700105-20	COVER ASSEMBLY-SEAT BACK					DELUXE UPHOLSTERY	-----	1	
- 6	0700105-414	CUSHION ASSEMBLY-SEAT UPHOLSTERED					UTILITY UPHOLSTERY	-----	1	
	0700105-359	CUSHION ASSEMBLY-SEAT UPHOLSTERED					DELUXE UPHOLSTERY	-----	1	
	0700105-416	COVER ASSEMBLY-SEAT CUSHION					UTILITY UPHOLSTERY	-----	1	
	0700105-21	COVER ASSEMBLY-SEAT CUSHION					DELUXE UPHOLSTERY	-----	1	
- 7	0710316-1	TUBE-SEAT ADJUSTMENT -----							1	
		ATTACHING PARTS								
- 8	MS20392-2C31	PIN-FLATHEAD -----							1	
- 9	MS24665-134	PIN-COTTER -----							1	
		-----*								
-10	0311644	CLEVIS -----							1	
-11	0710304-2	TUBE-SEAT LOCK -----							1	
		ATTACHING PARTS								
-12	MS20392-1C15	PIN-FLATHEAD -----							1	
-13	MS24665-285	PIN-COTTER -----							1	
-14	MS24665-134	PIN-COTTER -----							1	
-15	MS24665-132	PIN-COTTER -----							1	
		-----*								
-16	0310196-2	SPRING-SEAT HANDLE -----							1	
-17	NAS682A4	NUT -----							2	
-18	0311310	ROLLER-SEAT -----							4	
		ATTACHING PARTS								
-19	0311586	BUSHING -----							1	
-20	AN3-11A	BOLT -----							1	
-21	MS21044N3	NUT -----							1	
		-----*								
-22	0700106-1	KNOB-SEAT ADJUSTMENT -----							1	
		ATTACHING PARTS								
-23	S1021Z6-8	SCREW -----							1	
		-----*								
-24	0511301-19	FITTING-SEAT BELT					LH OUTBOARD & RH INBOARD	-----	2	
		WHEN EXHAUSTED USE 0510205-5								
	0510205-5	FITTING-SEAT BELT					LH OUTBOARD & RH INBOARD	-----	2	
		ATTACHING PARTS								
-25	AN3-5A	BOLT -----							2	
-26	AN970-3	WASHER -----							1	
-27	MS21044N3	NUT -----							2	
		-----*								
-28	0511301-18	FITTING-SEAT BELT					LH INBOARD & RH OUTBOARD	-----	2	
		WHEN EXHAUSTED USE 0510205-6								
	0510205-6	FITTING-SEAT BELT					LH INBOARD & RH OUTBOARD	-----	2	
		ATTACHING PARTS								
-29	AN3-5A	BOLT -----							2	
-30	AN970-3	WASHER -----							1	
-31	MS21044N3	NUT -----							2	
		-----*								
-32	S1060-3	BELT ASSEMBLY-SEAT					BLACK	-----	2	B
	S1060-15	BELT ASSEMBLY-SEAT					BEIGE	-----	1	C
		ATTACHING PARTS								
-33	AN4-6A	BOLT -----							2	
-34	NAS43HT4-20	SPACER -----							2	
-35	MS21044N3	NUT -----							2	
		-----*								
-36	0700320-1	RETAINER-FRONT SEAT HEADREST -----							4	
	0800023-5	HEADREST ASSEMBLY-FRONT SEAT -----							2	
-37	0800023-3	COVER ASSEMBLY-HEADREST -----							1	
-38	1200134-1	CUSHION-FOAM FILLER -----							1	
-39	1200108-1	FRAME-FRONT SEAT HEADREST -----							1	
		A---SERIAL 185-0001 THRU 185-0512								
		B---SERIAL 185-0001 THRU 185-0237								
		C---SERIAL 185-0238 THRU 185-0512								

Front Seat (Cont)



SERIAL 185-0001 THRU 185-0237

Figure 59A. Reclining Front Seat

FIGURE AND INDEX NO.	PART NUMBER	DESCRIPTION	UNITS PER ASSY	USABLE ON CODE
		1 2 3 4 5 6 7		
59A-		SEAT INSTALLATION-RECLINING BACK FRONT -----	NP	A
	0700105-385	SEAT ASSEMBLY-RECLINING BACK FRONT LH DELUXE -----	1	
	0700105-390	SEAT ASSEMBLY-RECLINING BACK FRONT RH DELUXE -----	1	
	0700105-427	SEAT ASSEMBLY-RECLINING BACK FRONT LH UTILITY -----	1	
	0700105-432	SEAT ASSEMBLY-RECLINING BACK FRONT RH UTILITY -----	1	
		ATTACHING PARTS		
- 1	0713074-1	STOP-SEAT -----	2	
	MS20392-1C21	PIN-CLEVIS -----	2	
	MS24665-151	PIN-COTTER -----	2	

	0700105-399	BACK ASSEMBLY-SEAT UPHOLSTERED LH DELUXE -----	1	
	0700105-398	BACK ASSEMBLY-SEAT UPHOLSTERED RH DELUXE -----	1	
	0700105-452	BACK ASSEMBLY-SEAT UPHOLSTERED LH UTILITY -----	1	
	0700105-451	BACK ASSEMBLY-SEAT UPHOLSTERED RH UTILITY -----	1	
		ATTACHING PARTS		
- 2	AN24-29A	BOLT -----	2	
- 3	AN960-416L	WASHER -----	2	
- 4	0710313-2	BUSHING -----	2	
- 5	S1074-1	WASHER -----	2	

- 6	0700105-20	COVER ASSEMBLY-SEAT BACK DELUXE -----	1	
	0700105-430	COVER ASSEMBLY-SEAT BACK -----	1	
- 7	0700105-397	PLATE ASSEMBLY-RECLINING LEVER TRIM -----	1	
	0700105-425	PANEL ASSEMBLY-REAR -----	1	
	0700105-400	CUSHION ASSEMBLY-SEAT UPHOLSTERED DELUXE -----	1	
	0700105-453	CUSHION ASSEMBLY-SEAT UPHOLSTERED UTILITY -----	1	
- 8	NAS696A4	NUTPLATE -----	2	
- 9	0700105-2	COVER ASSEMBLY-SEAT CUSHION DELUXE -----	1	
	0700105-431	COVER ASSEMBLY-SEAT CUSHION UTILITY -----	1	
-10	0700104-89	SKIRT-SEAT CUSHION -----	1	
-11	0311310	ROLLER-SEAT -----	4	
		ATTACHING PARTS		
-12	AN3-11A	BOLT -----	1	
-13	0311586	BUSHING -----	1	
-14	MS21044N3	NUT -----	1	

-15	0710316-1	HANDLE -----	1	
		ATTACHING PARTS		
-16	MS20392-2C31	PIN-FLATHEAD -----	1	
-17	MS24665-134	PIN-COTTER -----	1	

-18	0311644	CLEVIS -----	1	
		ATTACHING PARTS		
-19	MS24665-285	PIN-COTTER -----	1	

-20	0710304-2	PIN-SEAT ADJUSTMENT LATCH -----	1	
		ATTACHING PARTS		
-21	MS20392-1C15	PIN-FLATHEAD -----	1	
-22	MS24665-134	PIN-COTTER -----	1	
-23	MS24665-132	PIN-COTTER -----	1	

-24	0310196-15	SPRING-SEAT ADJUSTMENT LATCH -----	1	
-25	0710302-1	TUBE-RECLINER -----	1	
-26	0710317-1	CAM-RECLINER -----	2	
		ATTACHING PARTS		
-27	NAS561C3-12	ROLLPIN -----	1	

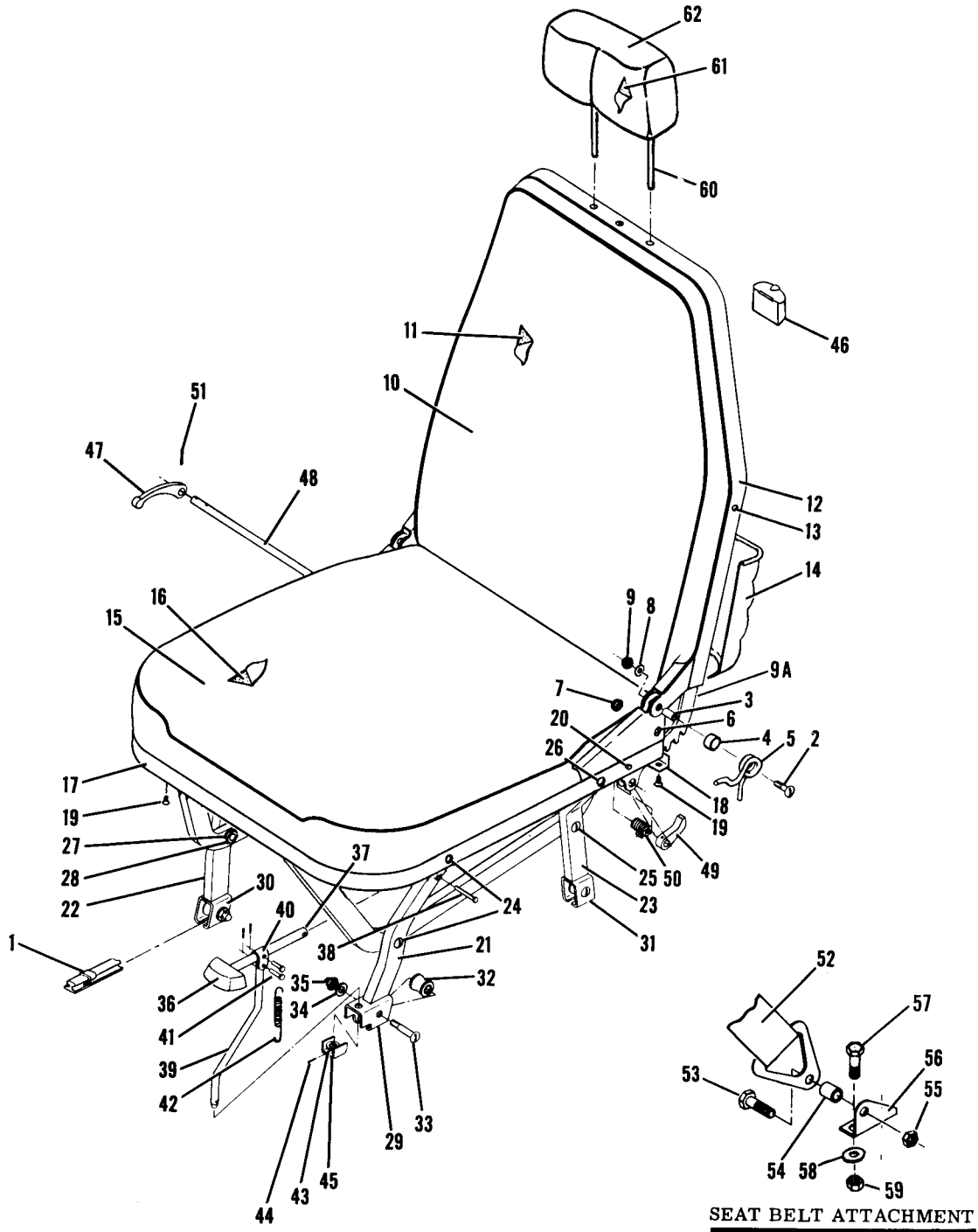
-28	0710308-1	SPRING-RECLINER CAM RETURN -----	1	
-29	AN960C616L	WASHER -----	2	
		ATTACHING PARTS		
-30	NAS561C2-10	ROLLPIN -----	2	

CONTINUED ON NEXT PAGE

FIGURE AND INDEX NO.	PART NUMBER	DESCRIPTION	UNITS PER ASSY	USABLE ON CODE
		1 2 3 4 5 6 7		
59A-31	MS20392-1C37	PIN-FLATHEAD -----	2	
-32	MS24665-132	ATTACHING PARTS -----	1	
-33	0710312-2	PIN-COTTER -----	1	
-34	0710312-2	HANDLE-RECLINING SEAT BACK ADJUSTMENT -----	1	
-34	NAS561C2-10	ATTACHING PARTS -----	1	
-35	0700113-1	ROLLPIN -----	1	
-36	0700113-1	KNOB-SEAT ADJUSTMENT HANDLE -----	1	
-37	S1021Z6-8	ATTACHING PARTS -----	1	
-38	0710306-1	SCREW -----	1	
-39	0710306-1	PLUG-STOP -----	2	
-40	NAS603-16	ATTACHING PARTS -----	2	
-41	AN345-10	SCREW-STOP -----	2	
-42	AN960D10	NUT -----	2	
		WASHER -----	AR	
		RETAINER-FRONT SEAT HEADREST -----	4	
		HEADREST ASSEMBLY-FRONT SEAT -----	2	
		COVER ASSEMBLY-HEADREST -----	1	
		CUSHION-FOAM FILLER -----	1	
		FRAME ASSEMBLY -----	1	
		A---SERIAL 185-0001 THRU 185-0237		

This page intentionally left blank.

Front Seat



SERIAL 18051184 THRU 18051875
SERIAL 185-0513 THRU 185-1300

Figure 60. Front Seat Installation

FIGURE AND INDEX NO.	PART NUMBER		DESCRIPTION	UNITS PER ASSY	USABLE ON CODE
			1 2 3 4 5 6 7		
60 -	0700114-40	#	SEAT INSTALLATION-FRONT -----	NP	A
	0700114-43	#	SEAT ASSEMBLY-FRONT UTILITY -----	2	
			SEAT ASSEMBLY-FRONT DELUXE -----	2	B
			ATTACHING PARTS -----		
- 1	0713074-1		STOP-SEAT -----	2	
	MS20392-1C21		PIN -----	2	
	MS24665-151		PIN-COTTER -----	2	
			-----*		
	0700114-200	#	BACK ASSEMBLY-UPHOLSTERED SEAT UTILITY -----	1	
	0700114-201	#	BACK ASSEMBLY-UPHOLSTERED SEAT DELUXE -----	1	B
			ATTACHING PARTS -----		
- 2	AN23-16		BOLT -----	2	
- 3	1414104-4		BUSHING -----	2	
- 4	0711668-1		BUSHING -----	2	
- 5	0711667-1		SPRING -----	2	
- 6	AN507-832R14		SCREW -----	2	
- 7	NAS679A08		NUT -----	2	
- 8	AN960-10L		WASHER -----	2	
- 9	S1914-8		NUT -----	2	
			-----*		
- 9A	1414230-1		CAM-SEAT BACK ADJUST -----	2	
-10	0700114-44	#	COVER-SEAT BACK UTILITY -----	1	
	0700114-46	#	COVER-SEAT BACK DELUXE -----	1	B
-11	1414100-9		CUSHION-SEAT BACK -----	1	
-12	1414110-1	□	TRIM-SEAT BACK -----	1	
			ATTACHING PARTS -----		
-13	S1021Z8-6C		SCREW -----	3	
			-----*		
-14	1414110-3	□	POCKET ASSEMBLY-MAGAZINE -----	1	
	0700114-202	#	BOTTOM ASSEMBLY-UPHOLSTERED SEAT UTILITY -----	1	
	0700114-203	#	BOTTOM ASSEMBLY-UPHOLSTERED SEAT DELUXE -----	1	B
-15	0700114-42	#	COVER-SEAT BOTTOM UTILITY -----	1	
	0700114-45	#	COVER-SEAT BOTTOM DELUXE -----	1	B
-16	1414100-8		CUSHION-SEAT BOTTOM -----	1	
-17	1414217-2		RETAINER-SEAT BOTTOM -----	1	E
	1414217-7		RETAINER-SEAT BOTTOM -----	1	F
-18	1414217-3		RETAINER-SEAT BOTTOM -----	1	
-19	S1021Z6-4		SCREW -----	14	
-20	AN23-15A		BOLT LH SIDE ONLY -----	2	
	AN23-19A		BOLT RH SIDE ONLY -----	1	
	NAS43HT3-16		SPACER RH SIDE ONLY -----	1	
	MS21044N3		NUT -----	2	
-21	1414103-2		LEG ASSEMBLY-FORWARD LH -----	1	
-22	1414103-12		LEG ASSEMBLY-FORWARD RH -----	1	
-23	1414103-6		LEG-SEAT AFT -----	2	
			ATTACHING PARTS -----		
-24	AN24-13		BOLT-FORWARD LEG -----	2	
-25	AN24-13		BOLT-AFT LEG -----	1	
-26	AN24-16		BOLT-AFT LEG -----	1	
	AN936A416		WASHER -----	2	
-27	AN936A616		WASHER -----	2	
-28	1414112-1		NUT -----	2	
			-----*		
-29	1414104-39		HOUSING-SEAT ROLLER FORWARD LH -----	1	
-30	1414104-40		HOUSING-SEAT ROLLER FORWARD RH -----	1	
-31	1414104-41		HOUSING-SEAT ROLLER AFT LH -----	1	
	1414104-42		HOUSING-SEAT ROLLER AFT RH -----	1	
-32	1414100-212		SEAT ROLLER KIT -----	4	
			ATTACHING PARTS -----		
-33	AN23-19A		BOLT -----	1	
-34	AN960-10L		WASHER -----	1	
-35	S1914-8		NUT -----	1	
			-----*		
-36	0700113-1		KNOB FORE & AFT SEAT ADJUSTMENT -----	1	
	S1021Z6-8		SCREW -----	1	
-37	1414104-45		ARM-SEAT ADJUSTMENT -----	1	
			ATTACHING PARTS -----		
-38	MS20392-2C47		PIN -----	1	
	MS24665-132		PIN-COTTER -----	1	
			-----*		

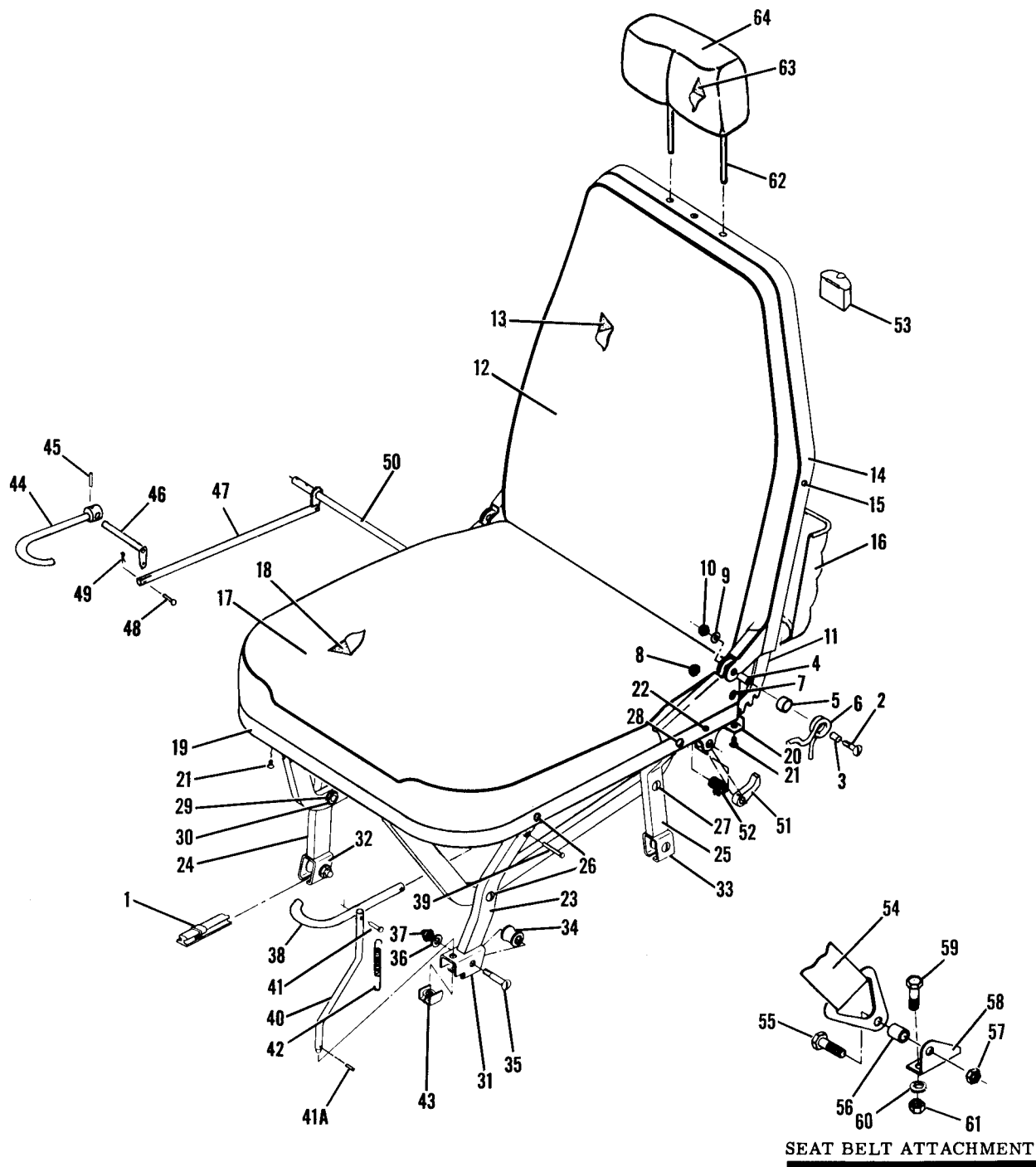
CONTINUED ON NEXT PAGE

FIGURE AND INDEX NO.	PART NUMBER	DESCRIPTION							UNITS PER ASSY	USABLE ON CODE
		1	2	3	4	5	6	7		
60 -39	1414104-46	PIN-SEAT ADJUSTMENT -----							1	
-40	1414104-56	CLAMP -----							1	
-41	MS20392-1C15	PIN -----							2	
	MS24665-132	PIN-COTTER -----							2	
-42	1414116-1	SPRING-SEAT ADJUSTMENT -----							1	
-43	AN960C416L	WASHER -----							1	
-44	NAS561-2-12	PIN -----							1	
-45	1414104-8	BRACKET-SEAT ADJUSTMENT -----							1	
-46	S1957-2	ASH RECEIVER-SEAT BACK -----							1	
-47	0710312-2	HANDLE-RECLINING ADJUSTMENT -----							1	
-48	1414104-1	TUBE-SEAT ADJUSTMENT TORQUE -----							1	
-49	1414231-4	PAWL-SEAT ADJUSTMENT MUST BE ORDERED IN PAIRS ONLY -----							2	
-50	1414107-1	SPRING-SEAT ADJUSTMENT -----							1	
-51	NAS561C3-10	PIN -----							3	
-52	S1060-15	BELT ASSEMBLY-FRONT SEAT BEIGE -----							2	E G H
	S1618B3	BELT ASSEMBLY-FRONT SEAT BLACK -----							2	
	S1618D3	BELT ASSEMBLY-FRONT SEAT TAN -----							2	
		ATTACHING PARTS								
-53	AN4-6A	BOLT -----							2	
-54	NAS43HT4-22	SPACER -----							2	
-55	NAS679A4	NUT -----							2	
		*-----								
-56	0511301-18	FITTING-SEAT BELT INBOARD LH & OUTBOARD RH -----							2	
		WHEN EXHAUSTED USE 0510205-6								
	0510205-6	FITTING-SEAT BELT INBOARD LH & OUTBOARD RH -----							2	
	0511301-19	FITTING-SEAT BELT OUTBOARD LH & INBOARD RH -----							2	
		WHEN EXHAUSTED USE 0510205-5								
	0510205-5	FITTING-SEAT BELT OUTBOARD LH & INBOARD RH -----							2	
		ATTACHING PARTS								
-57	AN3-4A	BOLT INBOARD FITTINGS ONLY -----							2	
	AN3-5A	BOLT OUTBOARD FITTINGS ONLY -----							2	
-58	AN970-3	WASHER UNDER FORWARD NUT ONLY -----							1	
-59	MS21044N3	NUT -----							2	
		*-----								
	1414252-1	# HEADREST ASSEMBLY -----							2	
-60	1414252-2	FRAME ASSEMBLY-HEADREST -----							1	
-61	1414252-7	CUSHION-HEADREST -----							1	
-62	1414252-6	# COVER-HEADREST -----							1	
<p>NOTE. #THIS PART NUMBER MUST HAVE A SECOND DASH NUMBER ADDED TO DENOTE COLOR. REFER TO HOW TO ORDER UPHOLSTERED PARTS-PAGE XII.</p> <p>NOTE. #THIS PART NUMBER MUST HAVE A SECOND DASH NUMBER ADDED TO DENOTE COLOR. REFER TO HOW TO ORDER INTERIOR PARTS-PAGE XIII.</p> <p>A---SERIAL 185-0513 THRU 185-1300 SERIAL 18051184 THRU 18051875 B---SERIAL 185-0654 THRU 185-1300 SERIAL 18051184 THRU 18051875 E---SERIAL 185-0513 THRU 185-0776 SERIAL 18051184 THRU 18051445 F---SERIAL 185-0777 THRU 185-1300 SERIAL 18051446 THRU 18051875 G---SERIAL 185-0777 THRU 185-0967 SERIAL 18051446 THRU 18051607 H---SERIAL 185-0968 THRU 185-1300 SERIAL 18051608 THRU 18051875</p>										

FIGURE AND INDEX NO.	PART NUMBER		DESCRIPTION	UNITS PER ASSY	USABLE ON CODE
			1 2 3 4 5 6 7		
61 -	0700114-63	#	SEAT INSTALLATION-FRONT -----	NP	A
	0700114-64	#	SEAT ASSEMBLY-FRONT UTILITY -----	2	B
	1200605-34	#	SEAT ASSEMBLY-FRONT DELUXE -----	2	B
			SEAT ASSEMBLY-FRONT -----	2	C
			ATTACHING PARTS		
- 1	0713074-1		STOP-SEAT -----	2	
	MS20392-1C21		PIN -----	2	
	MS24665-151		PIN-COTTER -----	2	
			*-----		
	0700114-200	#	BACK ASSEMBLY-UPHOLSTERED SEAT UTILITY -----	1	B
	0700114-201	#	BACK ASSEMBLY-UPHOLSTERED SEAT DELUXE -----	1	B
	1200605-222	#	BACK ASSEMBLY-UPHOLSTERED SEAT -----	1	C
			ATTACHING PARTS		
- 2	AN23-19A		BOLT -----	2	
- 3	NAS43HT3-12		SPACER -----	2	
- 4	1414104-4		BUSHING -----	2	
- 5	0711668-1		BUSHING -----	2	
- 6	0711667-1		SPRING -----	2	
- 7	AN507-832R14		SCREW -----	2	
- 8	NAS679A08		NUT -----	2	
- 9	AN960-10L		WASHER -----	2	
-10	S1914-8		NUT -----	2	
			*-----		
-11	1414230-1		CAM-SEAT BACK ADJUST -----	2	
-12	0700114-44	#	COVER-SEAT BACK UTILITY -----	1	B
	0700114-46	#	COVER-SEAT BACK DELUXE -----	1	B
	1200605-12	#	COVER-SEAT BACK -----	1	C
-13	1414100-9		CUSHION-SEAT BACK -----	1	B
	1200605-33		CUSHION-SEAT BACK -----	1	C
-14	1414110-1	□	TRIM ASSEMBLY-SEAT BACK -----	1	B
	1215034-200	#	TRIM ASSEMBLY-SEAT BACK -----	1	C
			ATTACHING PARTS		
-15	S1021Z8-6C		SCREW -----	3	B
			*-----		
-16	1414110-3	□	POCKET ASSEMBLY-MAGAZINE -----	1	B
	0700114-204	#	BOTTOM ASSEMBLY-UPHOLSTERED SEAT UTILITY -----	1	B
	0700114-205	#	BOTTOM ASSEMBLY-UPHOLSTERED SEAT DELUXE -----	1	B
	1200605-221	#	BOTTOM ASSEMBLY-UPHOLSTERED SEAT -----	1	C
-17	0700114-42	#	COVER-SEAT BOTTOM UTILITY -----	1	B
	0700114-45	#	COVER-SEAT BOTTOM DELUXE -----	1	B
	1200605-11	#	COVER-SEAT BOTTOM -----	1	C
-18	1414100-8		CUSHION-SEAT BOTTOM -----	1	
-19	1414217-7		RETAINER-SEAT BOTTOM -----	1	
-20	1414217-3		RETAINER-SEAT BOTTOM -----	1	
-21	S1021Z6-4		SCREW -----	14	
-22	AN23-15A		BOLT-SEAT BACK STOP -----	2	
	MS21044N3		NUT -----	2	
-23	1414103-2		LEG ASSEMBLY-FORWARD LH -----	1	
-24	1414103-45		LEG ASSEMBLY-FORWARD RH -----	1	
-25	1414103-6		LEG-AFT -----	2	
			ATTACHING PARTS		
-26	AN24-13A		BOLT-FORWARD LEG -----	2	
-27	AN24-13A		BOLT-AFT LEG -----	1	
-28	AN24-16A		BOLT-AFT LEG -----	1	
	AN936A416		WASHER -----	2	
-29	AN936A616		WASHER -----	2	
-30	1414112-1		NUT -----	2	
			*-----		
-31	1414104-39		HOUSING-SEAT ROLLER FWD LH -----	1	
-32	1414104-40		HOUSING-SEAT ROLLER FWD RH -----	1	
-33	1414104-41		HOUSING-SEAT ROLLER AFT LH -----	1	
	1414104-42		HOUSING-SEAT ROLLER AFT RH -----	1	
-34	1414100-212		KIT-SEAT ROLLER -----	4	
			ATTACHING PARTS		
-35	AN23-19A		BOLT -----	1	
-36	AN960-10L		WASHER -----	1	
-37	S1914-8		NUT -----	1	
			*-----		

CONTINUED ON NEXT PAGE

Front Seat (Cont)

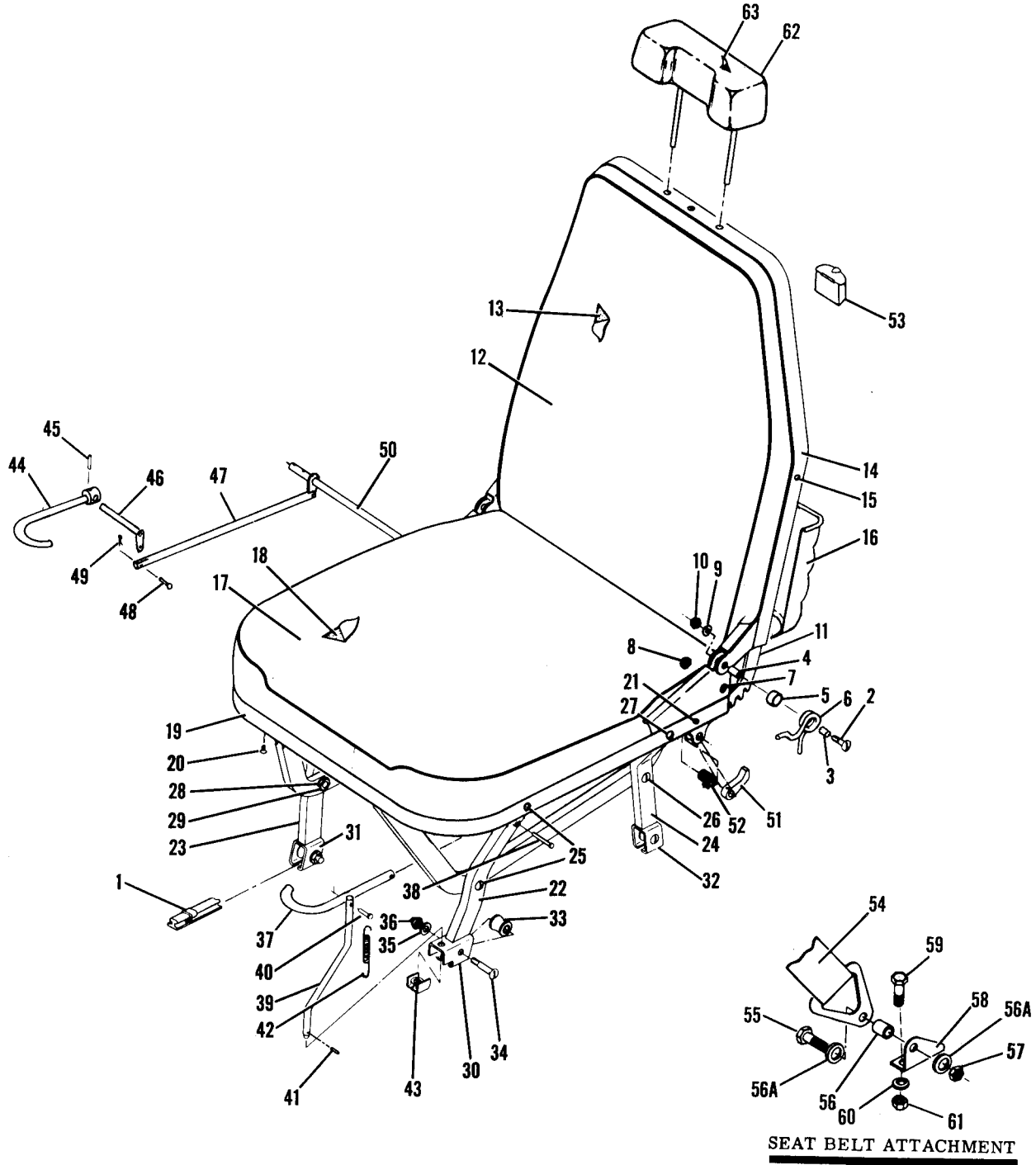


SERIAL 185-1301 THRU 185-1599
SERIAL 18051876 THRU 18052103

Figure 61. Front Seat Installation

FIGURE AND INDEX NO.	PART NUMBER	DESCRIPTION	UNITS PER ASSY	USABLE ON CODE
		1 2 3 4 5 6 7		
61 -38	1200504-1	HANDLE-SEAT ADJUSTMENT ----- ATTACHING PARTS -----	1	
-39	MS20392-2C34 MS24665-132	PIN ----- PIN-COTTER ----- -----*	1 1	
-40	1200505-1	PIN-SEAT ADJUSTMENT ----- ATTACHING PARTS -----	1	
-41	MS20392-1C21 MS24665-132	PIN ----- PIN-COTTER -----	1 1	
-41A	NAS561-2-12	ROLL PIN ----- -----*	1	
-42	1414116-1	SPRING-SEAT ADJUSTMENT -----	1	
-43	1414104-8	BRACKET-SEAT ADJUSTMENT -----	1	
-44	1200504-3	HANDLE ASSEMBLY-RECLINING ADJUSTMENT ----- ATTACHING PARTS -----	1	
-45	NAS561-3-8	ROLL PIN ----- -----*	1	
-46	1200503-1	ARM ASSEMBLY-SEAT BACK ADJUST -----	1	
-47	1514223-28	LINK-SEAT BACK ADJUST ----- ATTACHING PARTS -----	1	
-48	MS20392-1C9	PIN -----	2	
-49	MS24665-132	PIN-COTTER ----- -----*	2	
-50	1414223-34	TUBE ASSEMBLY-TORQUE -----	1	
-51	1414231-4	PAWL-SEAT BACK ADJUST REPLACE IN PAIRS ONLY ----- ATTACHING PARTS -----	2	
	NAS561C3-10	ROLL PIN ----- -----*	1	
-52	1414107-1	SPRING-SEAT ADJUSTMENT -----	1	
-53	S1957-2 1A1001	ASH RECEIVER-SEAT BACK ----- RETAINER-ASH RECEIVER GDR ----- ATTACHING PARTS -----	1 1	C
	S1021Z6-8 NAS395-5	SCREW ----- NUT ----- -----*	2 2	C C
-54	S1746D2	BELT ASSEMBLY-FRONT SEAT TAN ----- ATTACHING PARTS -----	2	
-55	AN4-5A	BOLT -----	2	
-56	NAS43HT4-20	SPACER -----	2	
-57	NAS679A4	NUT ----- -----*	2	
-58	0511301-18	FITTING-SEAT BELT INBOARD LH & OUTBOARD RH ----- WHEN EXHAUSTED USE 0510205-6 -----	2	D
	0510205-6	FITTING-SEAT BELT INBOARD LH & OUTBOARD RH -----	2	E
	0511301-19	FITTING-SEAT BELT OUTBOARD LH & INBOARD RH ----- WHEN EXHAUSTED USE 0510205-51 -----	2	D
	0510205-5	FITTING-SEAT BELT OUTBOARD LH & INBOARD RH ----- ATTACHING PARTS -----	2	E
-59	AN3-4A AN3-5A	BOLT INBOARD FITTINGS ONLY ----- BOLT OUTBOARD FITTINGS ONLY -----	2 2	
-60	AN970-3	WASHER UNDER FORWARD NUT ONLY -----	1	
-61	MS21044N3	NUT ----- -----*	2	
-62	1714040-1	# HEADREST ASSEMBLY -----	2	
-63	1414252-2	FRAME ASSEMBLY-HEADREST -----	1	
-64	1714035-1	CUSHION-HEADREST -----	1	
-64	1714040-2	# COVER-HEADREST -----	1	
<p>NOTE. #THIS PART NUMBER MUST HAVE A SECOND DASH NUMBER ADDED TO DENOTE COLOR. REFER TO HOW TO ORDER UPHOLSTERED PARTS-PAGE XII.</p> <p>NOTE. □THIS PART NUMBER MUST HAVE A SECOND DASH NUMBER ADDED TO DENOTE COLOR. REFER TO HOW TO ORDER INTERIOR PARTS-PAGE XIII.</p>				
<p>A---SERIAL 185-1301 THRU 185-1599 SERIAL 18051876 THRU 18052103 B---SERIAL 185-1301 THRU 185-1447 SERIAL 18051876 THRU 18051993 C---SERIAL 185-1448 THRU 185-1599 SERIAL 18051994 THRU 18052103 D---SERIAL 185-1301 THRU 185-1563 SERIAL 18051876 THRU 18052085 E---SERIAL 185-1564 THRU 185-1599 SERIAL 18052086 THRU 18052103</p>				

Front Seat (Cont)



SERIAL 18501600 & ON
SERIAL 18052104 & ON

Figure 61A. Front Seat Installation

FIGURE AND INDEX NO.	PART NUMBER		DESCRIPTION							UNITS PER ASSY	USABLE ON CODE
			1	2	3	4	5	6	7		
61A-			SEAT INSTALLATION-FRONT -----							NP	A
	1200605-35	#	SEAT ASSEMBLY-FRONT -----							2	B
	1200605-40	#	SEAT ASSEMBLY-FRONT -----							2	C
			ATTACHING PARTS								
- 1	0713074-1		STOP-SEAT -----							2	
	MS20392-1C21		PIN -----							2	
	MS24665-151		PIN-COTTER -----							2	
			---*---								
	1200605-223	#	BACK ASSEMBLY-UPHOLSTERED SEAT -----							1	B
			BACK ASSEMBLY-UPHOLSTERED SEAT -----							NP	C
			ATTACHING PARTS								
- 2	AN23-19A		BOLT -----							2	
- 3	NAS43HT3-12		SPACER -----							2	
- 4	1414104-4		BUSHING -----							2	
- 5	0711668-1		BUSHING -----							2	
- 6	0711667-1		SPRING -----							2	
- 7	AN507-832R14		SCREW -----							2	
- 8	NAS679A08		NUT -----							2	
- 9	AN960-10L		WASHER -----							2	
-10	S1914-8		NUT -----							2	
			---*---								
-11	1414230-1		CAM-SEAT BACK ADJUST -----							2	
-12	1200605-12	#	COVER-SEAT BACK -----							1	
-13	1200605-33		CUSHION-SEAT BACK -----							1	
-14	0514055-1	U	TRIM ASSEMBLY-SEAT BACK -----							1	B
	0514055-11	U	TRIM ASSEMBLY-SEAT BACK -----							1	C
			ATTACHING PARTS								
-15	S1021Z8-6C		SCREW -----							3	
			---*---								
-16	0514055-3	U	POCKET ASSEMBLY-MAGAZINE -----							1	
	1200605-224	#	BOTTOM ASSEMBLY-UPHOLSTERED SEAT -----							1	
-17	1200605-11	#	COVER-SEAT BOTTOM -----							1	
-18	1414100-8		CUSHION-SEAT BOTTOM -----							1	
-19	0514058-1		RETAINER-SEAT BOTTOM -----							1	
-20	S1021A4-6		SCREW -----							5	
-21	AN23-15A		BOLT-SEAT BACK STOP -----							2	
	MS21044N3		NUT -----							2	
-22	1414103-2		LEG ASSEMBLY-FORWARD LH -----							1	
-23	1414103-45		LEG ASSEMBLY-FORWARD RH -----							1	
-24	1414103-6		LEG-AFT -----							2	
			ATTACHING PARTS								
-25	AN24-13A		BOLT-FORWARD LEG -----							2	
-26	AN24-13A		BOLT-AFT LEG -----							1	
-27	AN24-16A		BOLT-AFT LEG -----							1	
-28	AN936A416		WASHER -----							2	
	AN936A616		WASHER -----							2	
-29	1414112-1		NUT -----							2	
			---*---								
-30	1414104-39		HOUSING-SEAT ROLLER FWD LH -----							1	
-31	1414104-40		HOUSING-SEAT ROLLER FWD RH -----							1	
-32	1414104-41		HOUSING-SEAT ROLLER AFT LH -----							1	
	1414104-42		HOUSING-SEAT ROLLER AFT RH -----							1	
-33	1414100-212		KIT-SEAT ROLLER -----							4	
			ATTACHING PARTS								
-34	AN23-19A		BOLT -----							1	
-35	AN960-10L		WASHER -----							1	
-36	S1914-8		NUT -----							1	
			---*---								
-37	1200504-1		HANDLE-SEAT ADJUSTMENT -----							1	
			ATTACHING PARTS								
-38	MS20392-2C34		PIN -----							1	
	MS24665-132		PIN-COTTER -----							1	
			---*---								
-39	1200505-1		PIN-SEAT ADJUSTMENT -----							1	
			ATTACHING PARTS								
-40	MS20392-1C21		PIN -----							1	
	MS24665-132		PIN-COTTER -----							1	
-41	NAS561-2-12		ROLL PIN -----							1	
			---*---								
-42	1414116-1		SPRING-SEAT ADJUSTMENT -----							1	

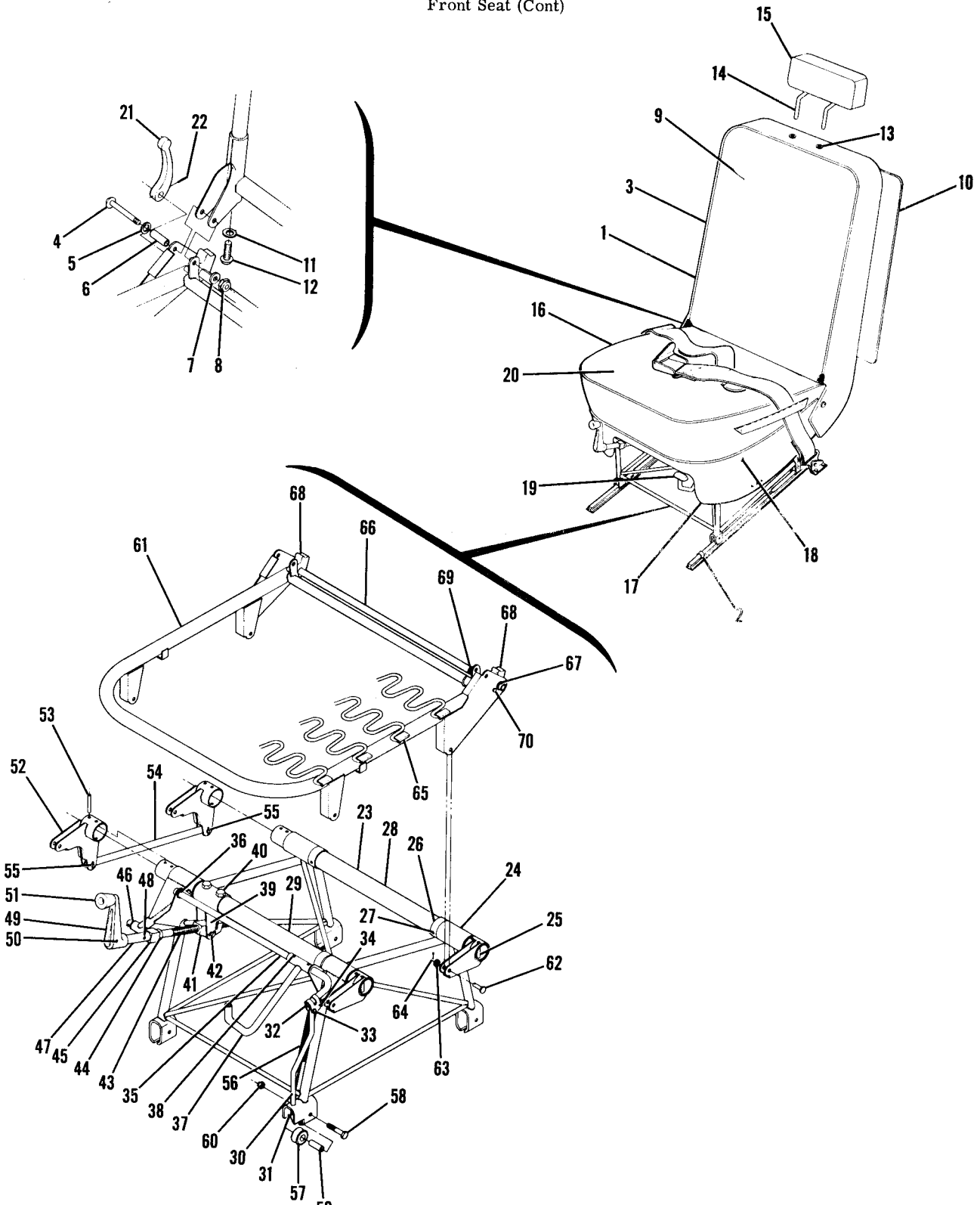
CONTINUED ON NEXT PAGE

FIGURE AND INDEX NO.	PART NUMBER	DESCRIPTION							UNITS PER ASSY	USABLE ON CODE
		1	2	3	4	5	6	7		
61A-43	1414104-8	BRACKET-SEAT ADJUSTMENT -----							1	
-44	1200504-3	HANDLE ASSEMBLY-RECLINING ADJUSTMENT -----							1	
		ATTACHING PARTS -----								
-45	NAS561-3-8	ROLL PIN -----							1	
		-----*								
-46	1200503-1	ARM ASSEMBLY-SEAT BACK ADJUST -----							1	
-47	1514223-28	LINK-SEAT BACK ADJUST -----							1	
		ATTACHING PARTS -----								
-48	MS20392-1C9	PIN -----							2	
-49	MS24665-132	PIN-COTTER -----							2	
		-----*								
-50	1414223-34	TUBE ASSEMBLY-TORQUE -----							1	
-51	0514043-1	PAWL-SEAT BACK ADJUST					REPLACE IN PAIRS ONLY -----		2	
		ATTACHING PARTS -----								
	NAS561C3-10	ROLL PIN -----							1	
		-----*								
-52	1414107-1	SPRING-SEAT ADJUSTMENT -----							1	
-53	S1957-2	ASH RECEIVER -----							1	
-54	S1746W2	BELT ASSEMBLY-SEAT -----							2	B
	S2070W103	BELT ASSEMBLY-SEAT -----							2	C
		ATTACHING PARTS -----								
-55	AN4-5A	BOLT -----							2	
-56	NAS43HT4-12	SPACER -----							2	
	AN960-416	WASHER -----							3	
-57	NAS679A4	NUT -----							1	
		OUTBOARD FITTINGS ONLY -----								
		-----*								
-58	0510205-5	FITTING-SEAT BELT			LH OUTBOARD & RH INBOARD -----				2	
	0510205-6	FITTING-SEAT BELT			RH OUTBOARD & LH INBOARD -----				2	
		ATTACHING PARTS -----								
-59	AN3-4A	BOLT -----							2	
-60	AN970-3	WASHER -----							1	
-61	MS21044N3	NUT -----							2	
		UNDER FORWARD NUT ONLY -----								
		-----*								
-62	0514048-1	HEADREST ASSEMBLY -----							2	
-63	0514048-9	COVER-HEADREST -----							1	
		-----*								
		NOTE. #THIS PART NUMBER MUST HAVE A SECOND DASH NUMBER ADDED TO DENOTE COLOR. REFER TO HOW TO ORDER UPHOLSTERED PARTS-PAGE XII.								
		NOTE. #THIS PART NUMBER MUST HAVE A SECOND DASH NUMBER ADDED TO DENOTE COLOR. REFER TO HOW TO ORDER INTERIOR PARTS-PAGE XIII.								
		NOTE. *SEE FIGURE 70 FOR SHOULDER HARNESS INSTL.								
		A---SERIAL 18501600 & ON SERIAL 18052104 & ON								
		B---SERIAL 18501600 THRU 18501832 SERIAL 18052104 THRU 18052175								
		C---SERIAL 18501833 & ON SERIAL 18052176 & ON								

This page intentionally left blank.



Front Seat (Cont)



SERIAL 185-0238 THRU 185-0512

Figure 62. Adjustable Front Seat Installation

FIGURE AND INDEX NO.	PART NUMBER	DESCRIPTION	UNITS PER ASSY	USABLE ON CODE
		1 2 3 4 5 6 7		
62 -		SEAT INSTALLATION-ADJUSTABLE FRONT -----	NP	A
- 1	1200162-21	SEAT ASSEMBLY-ADJUSTABLE FRONT LH -----	1	
	1200162-22	SEAT ASSEMBLY-ADJUSTABLE FRONT RH -----	1	
		ATTACHING PARTS -----		
- 2	0713074-1	STOP-SEAT -----	2	
	MS20392-1C21	PIN-CLEVIS -----	2	
	MS24665-151	PIN-COTTER -----	2	
		-----*		
- 3	1200162-25	BACK ASSEMBLY-SEAT UPHOLSTERED LH -----	1	
	1200162-26	BACK ASSEMBLY-SEAT UPHOLSTERED RH -----	1	
		ATTACHING PARTS -----		
- 4	AN24-28A	BOLT -----	2	
- 5	AN960-416L	WASHER -----	2	
- 6	0710313-2	BUSHING -----	2	
- 7	S1074-1	WASHER -----	2	
- 8	NAS679A4	NUT -----	2	
		-----*		
- 9	1200162-28	COVER ASSEMBLY-SEAT BACK -----	1	
-10	0700105-425	PANEL ASSEMBLY-REAR -----	1	
	0700105-397	PLATE ASSEMBLY-ACTUATOR LEVER TRIM -----	1	
-11	AN960D10	WASHER -----	1	
-12	NAS603-10	SCREW -----	1	
-13	0700320-1	RETAINER-HEADREST -----	2	
	0800023-5	HEADREST ASSEMBLY-SEAT -----	1	
-14	1200108-1	FRAME-HEADREST -----	1	
-15	1200134-1	CUSHION-FOAM FILLER -----	1	
	0800023-3	COVER ASSEMBLY-HEADREST -----	1	
-16	1200162-23	CUSHION ASSEMBLY-SEAT UPHOLSTERED LH -----	1	
	1200162-24	CUSHION ASSEMBLY-SEAT UPHOLSTERED RH -----	1	
-17	1200161-1	SKIRT-FRONT SEAT -----	1	
		ATTACHING PARTS -----		
-18	S102124-6	SCREW -----	11	
		-----*		
-19	1200164-1	KNOB-FRONT SEAT LATCH -----	1	
		ATTACHING PARTS -----		
	S102226-10	SCREW -----	1	
		-----*		
-20	1200162-27	COVER-SEAT BOTTOM -----	1	
-21	0710312-2	HANDLE-SEAT BACK ACTUATOR -----	1	
		ATTACHING PARTS -----		
-22	NAS561C3-10	ROLLPIN -----	1	
		-----*		
-23	1200163-1	SEAT BOTTOM MECHANISM INSTALLATION-ADJUSTABLE -----	NP	
	1200163-2	BOTTOM ASSEMBLY-SEAT LH -----	1	
-24	1200142-1	BOTTOM ASSEMBLY-SEAT RH -----	1	
	1200142-2	ARM ASSEMBLY-LH SEAT -----	2	
		ARM ASSEMBLY-RH SEAT -----	2	
		ATTACHING PARTS -----		
-25	NAS561-6-18	ROLLPIN -----	2	
		-----*		
-26	1200136-1	COLLAR-TORQUE TUBE -----	3	
		ATTACHING PARTS -----		
-27	NAS561-6-18	ROLLPIN -----	1	
		-----*		
-28	1200147-1	TORQUE TUBE-AFT -----	1	
-29	1200147-2	TORQUE TUBE-FORWARD -----	1	
-30	1200152-1	LATCH PIN -----	1	
		ATTACHING PARTS -----		
-31	MS24665-132	PIN-COTTER -----	1	
-32	0311644	CLEVIS -----	1	
-33	MS20392-1C15	PIN-FLATHEAD -----	1	
	MS24665-134	PIN-COTTER -----	1	
-34	MS24665-285	PIN-COTTER -----	1	
		-----*		
-35	1200146-1	TORQUE TUBE-LATCH PIN -----	1	
		ATTACHING PARTS -----		
-36	AN960C616L	WASHER -----	1	
	MS24665-134	PIN-COTTER -----	1	
		-----*		
-37	1200157-1	ARM ASSEMBLY-SEAT CATCH PIN -----	1	
		ATTACHING PARTS -----		
-38	NAS561P3-8	ROLLPIN -----	2	
		-----*		

CONTINUED ON NEXT PAGE

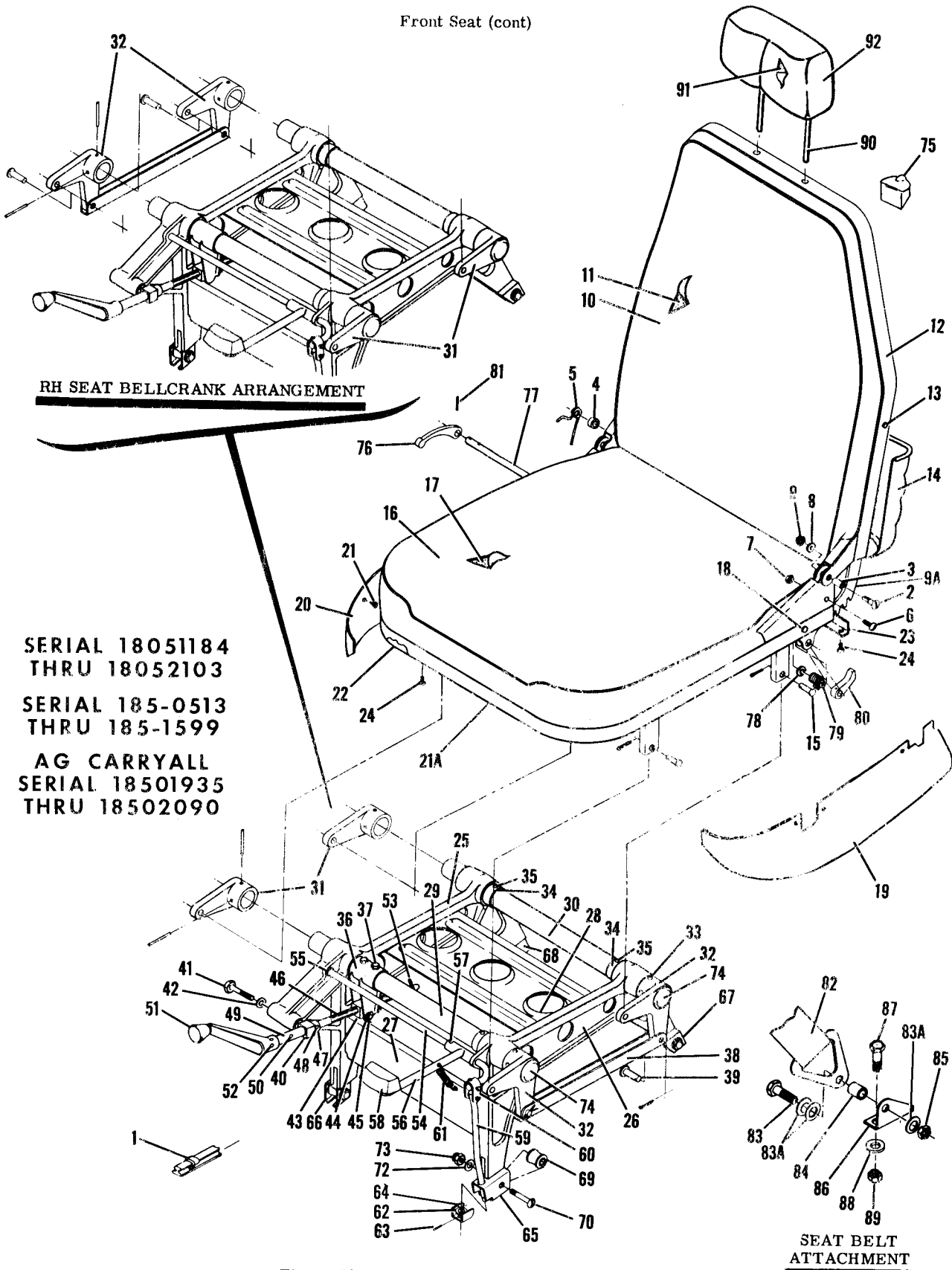
FIGURE AND INDEX NO.	PART NUMBER	DESCRIPTION							UNITS PER ASSY	USABLE ON CODE
		1	2	3	4	5	6	7		
62 -39	1200141-1	BELLCRANK ASSEMBLY-LH SEAT SCREW							1	
	1200141-2	BELLCRANK ASSEMBLY-RH SEAT SCREW							1	
-40	AN4-14A NAS679A4	ATTACHING PARTS								
		BOLT							2	
		NUT							2	
-41	1200139-1	*-----								
		NUT-SEAT ADJUST SCREW							1	
		ATTACHING PARTS								
-42	MS20392-2C20 AN960-10 MS24665-132	PIN-FLATHEAD							1	
		WASHER							1	
		PIN-COTTER							1	
		*-----								
-43	1200186-1	SCREW-ADJUSTABLE FRONT SEAT							1	
-44	1200138-1 NAS561P4-10	COLLAR-ADJUSTABLE FRONT SEAT SCREW							1	
		ATTACHING PARTS								
		ROLLPIN							1	
		*-----								
-45	1200154-1	BEARING BLOCK-SCREW							1	
		ATTACHING PARTS								
-46	AN960-716 MS24665-351	WASHER							1	
		PIN							1	
		*-----								
-47	1200156-1	SPACER-SCREW HANDLE							1	
		ATTACHING PARTS								
-48	NAS561P4-8	ROLLPIN							1	
		*-----								
-49	1200159-1	HANDLE ASSEMBLY-ADJUSTABLE FRONT SEAT							1	
		ATTACHING PARTS								
-50	NAS561P4-12	ROLLPIN							1	
		*-----								
-51	1200092-1	KNOB-SCREW HANDLE							1	
-52	1200143-1 1200143-2	ARM ASSEMBLY-SEAT LH							2	
		ARM ASSEMBLY-SEAT RH							2	
		ATTACHING PARTS								
-53	NAS561-6-18	ROLLPIN							2	
		*-----								
-54	1200137-1	ROD-SEAT ACTUATOR							1	
		ATTACHING PARTS								
-55	MS20392-2C17 AN960-10 MS24665-132	PIN-FLATHEAD							2	
		WASHER							2	
		PIN-COTTER							2	
		*-----								
-56	0310196-15	SPRING-SEAT LATCH PIN							1	
-57	0311310	ROLLER-SEAT							4	
		ATTACHING PARTS								
-58	AN3-11A	BOLT							1	
-59	0311586	BUSHING-ROLLER							1	
-60	MS21044N3	NUT							1	
		*-----								
-61	1200158-1 1200158-5	FRAME ASSEMBLY-SEAT LH							1	
		FRAME ASSEMBLY-SEAT RH							1	
		ATTACHING PARTS								
-62	MS20392-2C17	PIN							4	
-63	AN960-10	WASHER							4	
-64	MS24665-132	PIN-COTTER							4	
		*-----								
-65	S1146-1	CLIP-UPHOLSTERY SPRING							8	
-66	0710302-1	TUBE-SEAT BACK RECLINER							1	
		ATTACHING PARTS								
-67	AN960C616L NAS561C3-10	WASHER							2	
		ROLLPIN							2	
		*-----								
-68	0710317-1	RECLINER CAM-SEAT BACK							2	
		ATTACHING PARTS								
	NAS561C3-12	ROLLPIN							1	
		*-----								
-69	0710308-1	SPRING-CAM RETURN							1	
-70	MS20392-1C39 MS24665-132	PIN-FLATHEAD							2	
		ATTACHING PARTS								
		PIN-COTTER							1	
		*-----								

A---SERIAL 185-0238 THRU 185-0512

FIGURE AND INDEX NO.	PART NUMBER		DESCRIPTION							UNITS PER ASSY	USABLE ON CODE
			1	2	3	4	5	6	7		
63 -			SEAT INSTALLATION-VERTICALLY ADJUSTABLE FRONT -----							NP	B
	0700630-9	#	SEAT ASSEMBLY-VERTICALLY ADJUSTABLE LH UTILITY -----							1	N
	0700630-11	#	SEAT ASSEMBLY-VERTICALLY ADJUSTABLE LH DELUXE -----							1	A
	0700630-41	#	SEAT ASSEMBLY-VERTICALLY ADJUSTABLE LH -----							1	S
	0700630-47	#	SEAT ASSEMBLY-VERTICALLY ADJUSTABLE LH AG CARRYALL -----							1	U
	0700630-10	#	SEAT ASSEMBLY-VERTICALLY ADJUSTABLE RH UTILITY -----							1	N
	0700630-12	#	SEAT ASSEMBLY-VERTICALLY ADJUSTABLE RH DELUXE -----							1	A
	0700630-42	#	SEAT ASSEMBLY-VERTICALLY ADJUSTABLE RH -----							1	S
	0700630-48	#	SEAT ASSEMBLY-VERTICALLY ADJUSTABLE RH AG CARRYALL -----							1	U
			ATTACHING PARTS -----								
- 1	0713074-1		STOP-SEAT -----							2	
	MS20392-1C21		PIN -----							2	
	MS24665-151		PIN-COTTER -----							2	
			-----*								
	0700630-207	#	BACK ASSEMBLY-UPHOLSTERED SEAT DELUXE -----							1	A
	0700630-208	#	BACK ASSEMBLY-UPHOLSTERED SEAT UTILITY -----							1	N
	0700630-224	#	BACK ASSEMBLY-UPHOLSTERED SEAT -----							1	P
			ATTACHING PARTS -----								
- 2	AN23-16A		BOLT -----							2	
- 3	1414104-4		BUSHING -----							2	
- 4	0711668-1		BUSHING -----							2	
- 5	0711667-1		SPRING -----							2	
- 6	AN507-832R14		SCREW -----							2	
- 7	NAS679A08		NUT -----							2	
- 8	AN960-10L		WASHER -----							2	
- 9	S1914-8		NUT -----							2	
			-----*								
- 9A	1414111-2		CAM-SEAT BACK ADJUST WHEN EXHAUSTED USE 1414111-5 -----							2	G
	1414111-5		CAM-SEAT BACK ADJUST -----							2	H
-10	0500210-26	#	COVER-SEAT BACK DELUXE -----							1	A
	0700114-44	#	COVER-SEAT BACK UTILITY -----							1	N
	1200605-12	#	COVER-SEAT BACK -----							1	P
-11	1414100-9		CUSHION-SEAT BACK -----							1	N
	1200605-33		CUSHION-SEAT BACK -----							1	P
-12	1414110-1	□	TRIM ASSEMBLY-SEAT BACK -----							1	N
	1215034-200	#	TRIM ASSEMBLY-SEAT BACK -----							1	P
			ATTACHING PARTS -----								
-13	S1021Z8-6C		SCREW -----							3	N
			-----*								
-14	1414110-3	□	POCKET ASSEMBLY-MAGAZINE -----							1	N
	0700630-202	#	CUSHION ASSEMBLY-UPHOLSTERED SEAT BOTTOM DELUXE -----							1	A
	0700630-203	#	CUSHION ASSEMBLY-UPHOLSTERED SEAT BOTTOM UTILITY -----							1	N
	0700630-204	#	CUSHION ASSEMBLY-UPHOLSTERED SEAT BOTTOM -----							1	S
			CUSHION ASSEMBLY-UPHOLSTERED SEAT BOTTOM -----							NP	U
			ATTACHING PARTS -----								
-15	MS20392-2C17		PIN -----							4	
	MS24665-132		PIN-COTTER -----							4	
			-----*								
-16	0500210-24	#	COVER-SEAT BOTTOM DELUXE -----							1	A
	0700114-42	#	COVER-SEAT BOTTOM UTILITY -----							1	N
	1200605-11	#	COVER-SEAT BOTTOM -----							1	P
-17	1414100-8		CUSHION-SEAT BOTTOM -----							1	
-18	AN23-15A		BOLT LH SIDE ONLY -----							2	
	AN23-19A		BOLT RH SIDE ONLY -----							1	
	NAS43HT3-16		SPACER RH SIDE ONLY -----							1	
	MS21044N3		NUT -----							2	
-19	0700646-1	□	SKIRT-SEAT BOTTOM LH -----							1	T
-20	0700646-2	□	SKIRT-SEAT BOTTOM RH -----							1	T
			ATTACHING PARTS -----								
-21	S1021Z6-4		SCREW -----							4	T
			-----*								
-21A	0715020-1	□	TRIM-SEAT BOTTOM AG CARRYALL -----							1	U
-22	1414217-3		RETAINER -----							1	
-23	1414217-7		RETAINER -----							1	
-24	S1021Z6-4		SCREW -----							14	
	0700631-5		FRAME ASSEMBLY-SEAT BOTTOM LH -----							1	K
	0700631-5	□	FRAME ASSEMBLY-SEAT BOTTOM LH -----							1	F
	0700631-6		FRAME ASSEMBLY-SEAT BOTTOM RH -----							1	K
	0700631-6	□	FRAME ASSEMBLY-SEAT BOTTOM RH -----							1	F
-25	0700640-1		LEG-SEAT INBOARD LH -----							1	
	0700640-2		LEG-SEAT INBOARD RH -----							1	
-26	0700640-5		LEG-SEAT OUTBOARD LH -----							1	
	0700640-6		LEG-SEAT OUTBOARD RH -----							1	

CONTINUED ON NEXT PAGE

Front Seat (cont)



SERIAL 18051184
THRU 18052103

SERIAL 185-0513
THRU 185-1599

AG CARRYALL
SERIAL 18501935
THRU 18502090

Figure 63. Vertically Adjustable Front Seat



FIGURE AND INDEX NO.	PART NUMBER	DESCRIPTION							UNITS PER ASSY	USABLE ON CODE
		1	2	3	4	5	6	7		
63 -27	0700641-1	BRACE-FORWARD BULKHEAD WHEN EXHAUSTED USE 0700641-5							1	
	0700641-5	BRACE-FORWARD BULKHEAD							1	
-28	0700641-2	BRACE-UPPER BULKHEAD							1	
-29	0700639-1	TUBE-FORWARD TORQUE							1	
-30	0700639-2	TUBE-AFT TORQUE							1	
-31	0700633-2	BELLCRANK							2	
-32	0700633-4	BELLCRANK LH SEAT ONLY							2	
	0700633-1	BELLCRANK RH SEAT ONLY							2	
-33	NAS561P6-22	ROLLPIN							8	
-34	1200136-1	COLLAR							3	
-35	NAS561P6-18	ROLLPIN							3	
-36	1200141-1	BELLCRANK-LH							1	
	1200141-2	BELLCRANK-RH							1	
		ATTACHING PARTS								
-37	AN4-14A	BOLT							2	
	NAS679A4	NUT							2	

-38	0700634-1	CHANNEL-PUSH PULL							1	
		ATTACHING PARTS								
-39	MS20392-2C17	PIN							2	
	MS24665-132	PIN-COTTER							2	

-40	0700638-1	BLOCK-BEARING							1	
-41	AN520-10R8	SCREW							1	
-42	AN960-10L	WASHER							1	
-43	1200139-1	NUT							1	
-44	AN960-10	WASHER							1	
-45	MS20392-2C27	PIN							1	
	MS24665-132	PIN-COTTER							1	
-46	1200186-1	SCREW-SEAT ADJUSTMENT							1	
-47	1200138-1	COLLAR							1	
-48	NAS561P4-10	ROLLPIN							1	
-49	1200156-1	SPACER							1	
-50	NAS561P4-8	ROLLPIN							1	
-51	1200159-1	HANDLE ASSEMBLY-VERTICAL ADJUSTMENT							1	
-52	NAS561P4-12	ROLLPIN							2	
-53	NAS561P4-10	ROLLPIN							1	
-54	0700642-1	TUBE-SEAT ADJUSTMENT TORQUE							1	
-55	AN960-616L	WASHER							1	
	MS24665-5	PIN-COTTER							1	
-56	0700643-1	ARM-SEAT ADJUSTMENT							1	
-57	NAS561P3-8	ROLLPIN							2	
-58	1200164-1	KNOB-FORE & AFT ADJUSTMENT							1	
		ATTACHING PARTS								
	S102226-10	SCREW							1	

-59	0700644-1	PIN-SEAT ADJUSTMENT							1	
-60	1414104-56	CLAMP							1	
	MS24665-134	PIN-COTTER							2	
-61	1414116-1	SPRING							1	
-62	AN960-416	WASHER							1	
-63	MS24665-132	PIN-COTTER							1	
-64	1414104-8	BRACKET-SEAT ADJUSTMENT							1	
-65	0700645-1	HOUSING-ROLLER							1	
-66	0700645-2	HOUSING-ROLLER							1	
-67	0700645-3	HOUSING-ROLLER							1	
-68	0700645-4	HOUSING-ROLLER							1	
-69	1414100-212	SEAT ROLLER KIT							4	
		ATTACHING PARTS								
-70	AN23-19A	BOLT							1	
-71		DELETED, NOT AVAILABLE								
-72	AN960-10L	WASHER							1	
-73	S1914-8	NUT							1	

-74	S1045	PLUG BUTTON UC							2	
-75	S1957-2	ASH RECEIVER-SEAT BACK							1	
	1A1001	RETAINER-ASH RECEIVER GDR							1	P
		ATTACHING PARTS								
	S102126-8	SCREW							2	P
	NAS395-5	NUT							2	P

-76	0710312-2	HANDLE-RECLINING ADJUSTMENT							1	
-77	1414104-1	TUBE-SEAT ADJUSTMENT TORQUE							1	
-78	AN960D616	WASHER							2	

CONTINUED ON NEXT PAGE

FIGURE AND INDEX NO.	PART NUMBER	DESCRIPTION							UNITS PER ASSY	USABLE ON CODE
		1	2	3	4	5	6	7		
63 -79	1414107-1	SPRING-SEAT ADJUSTMENT -----							1	
-80	0700636-1	PAWL-SEAT ADJUSTMENT -----							2	
-81	NAS561C3-10	PIN -----							3	
-82	S1060-15	BELT ASSEMBLY-FRONT SEAT BEIGE -----							2	D
	S1618B3	BELT ASSEMBLY-FRONT SEAT BLACK -----							2	E
	S1618D3	BELT ASSEMBLY-FRONT SEAT TAN -----							2	V
	S2070W103	BELT ASSEMBLY-FRONT SEAT CLOVE BROWN -----							2	U
		ATTACHING PARTS								
-83	AN4-5A	BOLT -----							2	
-83A	AN960-416	WASHER -----							3	U
-84	NAS43HT4-20	SPACER -----							2	T
	NAS43HT4-12	SPACER -----							2	U
-85	NAS679A4	NUT -----							2	T
	NAS679A4	NUT OUTBOARD FITTINGS ONLY -----							1	U
-86	0511301-18	FITTING-SEAT BELT INBOARD LH & OUTBOARD RH -----							2	Q
		WHEN EXHAUSTED USE 0510205-6								
	0510205-6	FITTING-SEAT BELT INBOARD LH & OUTBOARD RH -----							2	R
	0511301-19	FITTING-SEAT BELT OUTBOARD LH & INBOARD RH -----							2	Q
		WHEN EXHAUSTED USE 0510205-5								
	0510205-5	FITTING-SEAT BELT OUTBOARD LH & INBOARD RH -----							2	R
		ATTACHING PARTS								
-87	AN3-4A	BOLT INBOARD FITTINGS ONLY -----							2	
	AN3-5A	BOLT OUTBOARD FITTINGS ONLY -----							2	
-88	AN970-3	WASHER UNDER FORWARD NUT ONLY -----							1	
-89	MS21044N3	NUT -----							2	
	1414252-1	# HEADREST ASSEMBLY -----							2	L
	1714040-1	# HEADREST ASSEMBLY -----							2	M
	0514048-1	# HEADREST ASSEMBLY -----							2	U
-90	1414252-2	FRAME-HEADREST -----							1	T
-91	1414252-7	CUSHION-HEADREST -----							1	L
	1714035-1	CUSHION-HEADREST -----							1	M
-92	1414252-6	# COVER-HEADREST -----							1	L
	1714040-2	# COVER-HEADREST -----							1	M
	0514048-9	# COVER-HEADREST -----							1	U
<p>NOTE. #THIS PART NUMBER MUST HAVE A SECOND DASH NUMBER ADDED TO DENOTE COLOR. REFER TO HOW TO ORDER UPHOLSTERED PARTS-PAGE XII.</p> <p>NOTE. #THIS PART NUMBER MUST HAVE A SECOND DASH NUMBER ADDED TO DENOTE COLOR. REFER TO HOW TO ORDER INTERIOR PARTS-PAGE XIII.</p> <p>NOTE. *SEE FIGURE 70 FOR SHOULDER HARNESS INSTL.</p> <p>A---SERIAL 185-0654 THRU 185-1447 SERIAL 18051184 THRU 18051993 B---SERIAL 185-0513 THRU 185-1599 SERIAL 18501935 THRU 18502090 AG CARRYALL SERIAL 18051184 THRU 18052103 C---SERIAL 185-0777 THRU 185-1599 SERIAL 18051446 THRU 18052103 D---SERIAL 185-0513 THRU 185-0776 SERIAL 18051184 THRU 18051445 E---SERIAL 185-0777 THRU 185-0967 SERIAL 18051446 THRU 18051607 F---SERIAL 185-0968 THRU 185-1599 SERIAL 18501935 THRU 18502090 AG CARRYALL SERIAL 18051608 THRU 18052103 G---SERIAL 185-0513 THRU 185-0926 SERIAL 18051184 THRU 18051573</p>										
CONTINUED ON NEXT PAGE										

FIGURE AND INDEX NO.	PART NUMBER	DESCRIPTION							UNITS PER ASSY	USABLE ON CODE
		1	2	3	4	5	6	7		
63 -		H---	SERIAL	185-0927	THRU	185-1599				
			SERIAL	18501935	THRU	18502090	AG CARRYALL			
			SERIAL	18051574	THRU	18052103				
			K---	SERIAL	185-0513	THRU	185-0967			
				SERIAL	18051184	THRU	18051607			
			L---	SERIAL	185-0513	THRU	185-1300			
				SERIAL	18051184	THRU	18051875			
			M---	SERIAL	185-1301	THRU	185-1599			
				SERIAL	18051876	THRU	18052103			
			N---	SERIAL	185-0513	THRU	185-1447			
				SERIAL	18051184	THRU	18051993			
			P---	SERIAL	185-1448	THRU	185-1599			
				SERIAL	18501935	THRU	18502090	AG CARRYALL		
				SERIAL	18051994	THRU	18052103			
			Q---	SERIAL	185-0513	THRU	185-1563			
				SERIAL	18051184	THRU	18052085			
			R---	SERIAL	185-1564	THRU	185-1599			
				SERIAL	18501935	THRU	18502090	AG CARRYALL		
				SERIAL	18052086	THRU	18052103			
			S---	SERIAL	185-1448	THRU	185-1599			
				SERIAL	18051994	THRU	18052103			
			T---	SERIAL	185-0513	THRU	185-1599			
				SERIAL	18051184	THRU	18052103			
			U---	SERIAL	18501935	THRU	18502090	AG CARRYALL		
			V---	SERIAL	185-0968	THRU	185-1599			
				SERIAL	18051608	THRU	18052103			

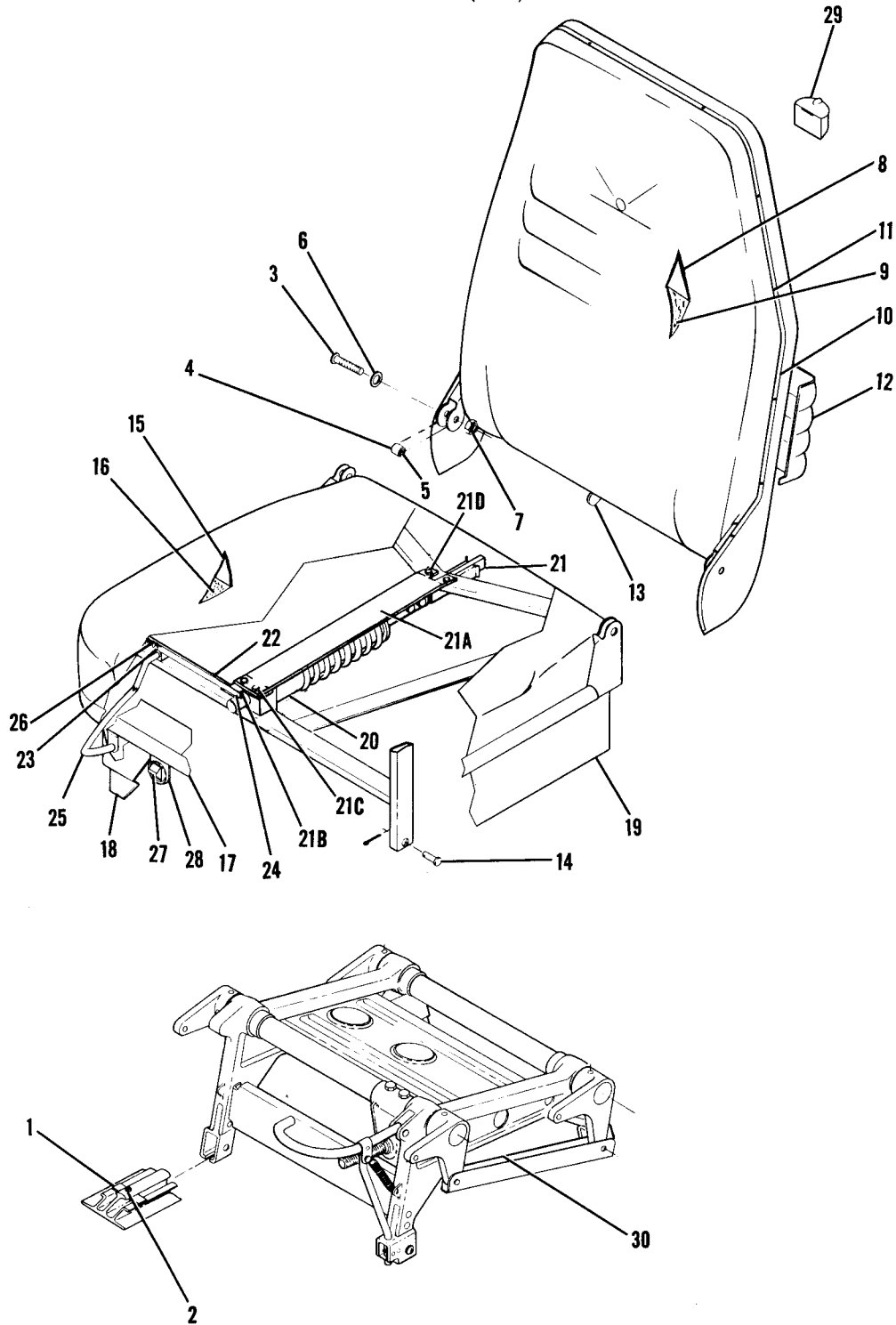
This page intentionally left blank.



FIGURE AND INDEX NO.	PART NUMBER	DESCRIPTION	UNITS PER ASSY	USABLE ON CODE
		1 2 3 4 5 6 7		
63A-		PILOT & CO-PILOT POWER ADJUSTABLE SEAT INSTL. -----	NP	A
	1414265-11 #	SEAT ASSEMBLY-PILOT POWER VERTICALLY ADJUSTABLE -----	1	
	1414265-12 #	SEAT ASSEMBLY-CO-PILOT POWER VERTICALLY ADJUSTABLE -----	1	
		ATTACHING PARTS		
- 1	0511242-1	STOP-SEAT -----	4	
- 2	AN500A8-4	SCREW -----	4	
		*-----		
	1414265-212 #	BACK ASSEMBLY-UPHOLSTERED SEAT -----	1	
		ATTACHING PARTS		
- 3	AN23-16A	BOLT -----	2	
- 4	NAS43HT4-18	SPACER -----	2	
- 5	1414104-4	BUSHING -----	2	
- 6	AN960-10L	WASHER -----	2	
- 7	S1914-8	NUT -----	2	
		*-----		
- 8	0700114-44 #	COVER-SEAT BACK -----	1	
- 9	1414100-9	CUSHION-SEAT BACK -----	1	
-10	1414264-13 □	TRIM ASSEMBLY-SEAT BACK -----	1	
		ATTACHING PARTS		
-11	S102128-6C	SCREW -----	AR	
		*-----		
-12	1414264-5 □	POCKET ASSEMBLY MAGAZINE -----	1	

CONTINUED ON NEXT PAGE

Front Seat (Cont)

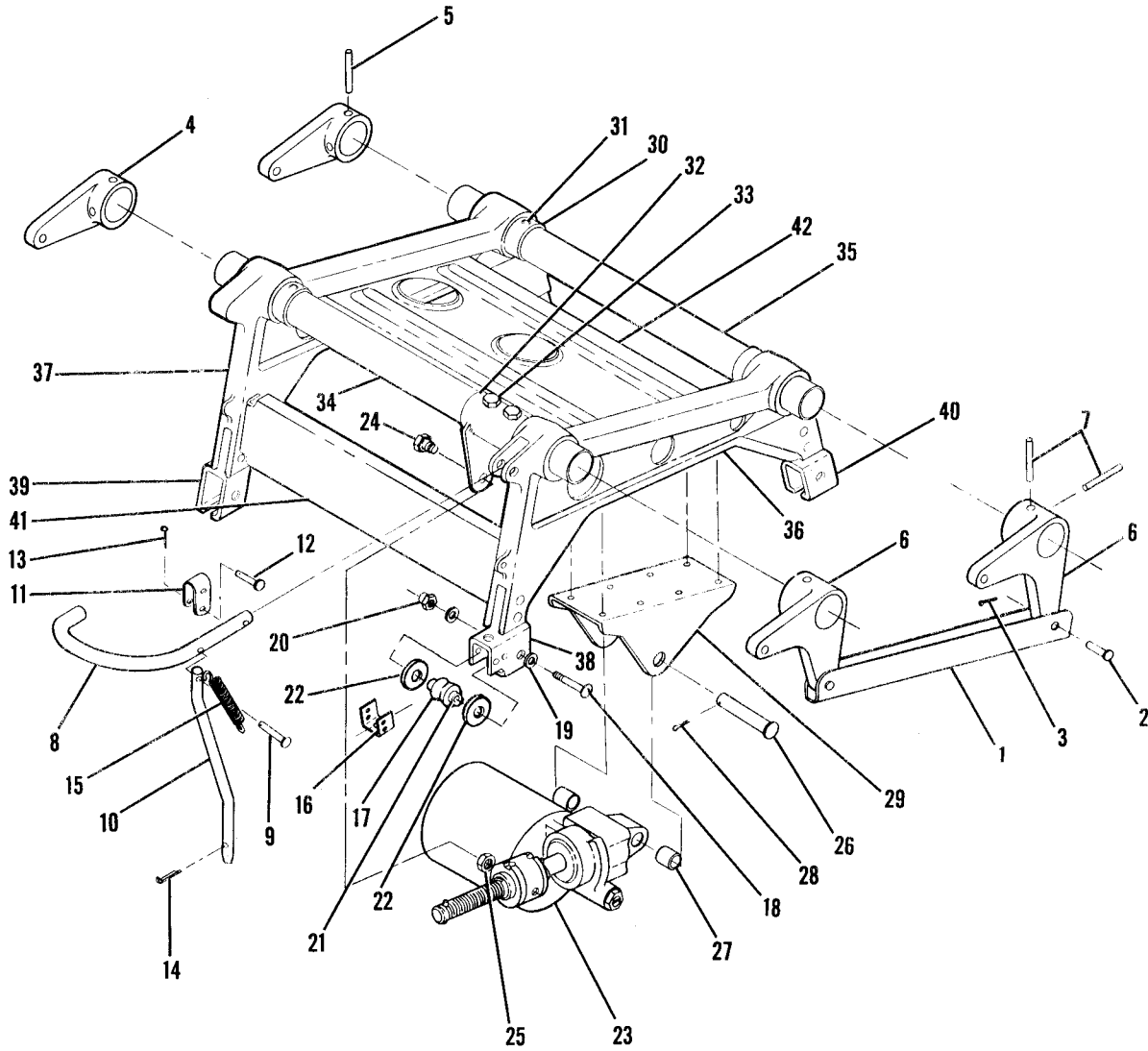


SERIAL 185-0691 THRU 185-1149
SERIAL 18051347 THRU 18051774

Figure 63A. Pilot & Co-Pilot Power Adjustable Seat Installation

FIGURE AND INDEX NO.	PART NUMBER	DESCRIPTION	UNITS PER ASSY	USABLE ON CODE
		1 2 3 4 5 6 7		
63A-13	1414262-1	CAM-SEAT BACK RECLINE ----- ATTACHING PARTS -----	1	
	AN3-10A	BOLT -----	3	
	AN960-10L	WASHER -----	3	
	MS21044N3	NUT ----- *-----	3	
	1414265-213 #	CUSHION ASSEMBLY-UPHOLSTERED SEAT BOTTOM ----- ATTACHING PARTS -----	1	
-14	MS20392-2C17	PIN -----	4	
	MS24665-132	COTTER PIN ----- *-----	4	
-15	0700114-42 #	COVER-SEAT BOTTOM -----	1	
-16	1414265-8	CUSHION-SEAT BOTTOM -----	1	
-17	1414217-7	RETAINER-SEAT BOTTOM -----	1	
	1414217-3	RETAINER-SEAT BOTTOM ----- ATTACHING PARTS -----	1	
	S102176-4	SCREW ----- *-----	12	
-18	0700646-3 □	SKIRT-SEAT LH -----	1	
-19	0700646-4 □	SKIRT-SEAT RH ----- ATTACHING PARTS -----	1	
	S102176-4	SCREW ----- *-----	AR	
-20	1414266-1	ACTUATOR-SEAT BACK -----	1	
-21	1414261-1	STOP-SEAT BACK ----- ATTACHING PARTS -----	1	
	AN3-10A	BOLT -----	2	
	AN960-10L	WASHER -----	2	
	MS21044N3	NUT ----- *-----	2	
-21A	1514059-1	STIFFENER ----- ATTACHING PARTS -----	1	B
-21B	1414269-1	SEAT STOP -----	1	B
-21C	AN3-17A	BOLT -----	2	B
	AN960-10L	WASHER -----	4	B
	MS21044N3	NUT -----	4	B
	NAS43DD3-12	SPACER UNDER STIFFENER -----	2	B
	NAS43DD3-3	SPACER BETWEEN ACTUATOR & FRAME -----	2	B
-21D	AN3-13A	BOLT ----- *-----	2	B
-22	1414258-1	LINK ----- ATTACHING PARTS -----	1	
-23	MS20392-1C9	PIN -----	2	
	MS24665-132	COTTER PIN ----- *-----	2	
-24	1414259-1	SCREW -----	1	
-25	1414257-5	HANDLE ASSEMBLY ----- ATTACHING PARTS -----	1	
	MS24665-283	COTTER PIN ----- *-----	2	
-26	1200478-2	SPRING-HANDLE RETURN -----	1	
-27	1414268-1	SWITCH ASSEMBLY -----	1	
-28	1414267-1	BRACKET-SWITCH ----- ATTACHING PARTS -----	1	
	S102176-6	SCREW ----- *-----	2	
-29	0700719-1 □	COVER-FLOORBOARD TERMINAL -----	1	
-30	S1957-2	ASH RECEIVER -----	1	
		POWER SEAT BOTTOM ASSEMBLY SEE FIGURE 63B -----	1	
<p>NOTE. #THIS PART NUMBER MUST HAVE A SECOND DASH NUMBER ADDED TO DENOTE COLOR. REFER TO HOW TO ORDER UPHOLSTERED PARTS-PAGE XII.</p> <p>NOTE. #THIS PART NUMBER MUST HAVE A SECOND DASH NUMBER ADDED TO DENOTE COLOR. REFER TO HOW TO ORDER INTERIOR PARTS-PAGE XIII.</p> <p>A---SERIAL 18051347 THRU 18051774 SERIAL 185-0691 THRU 185-1149</p> <p>B---SERIAL 18051504 THRU 18051774 SERIAL 185-0828 THRU 185-1149</p>				

Front Seat (Cont)



SERIAL 185-0691 THRU 185-1149
SERIAL 18051347 THRU 18051774

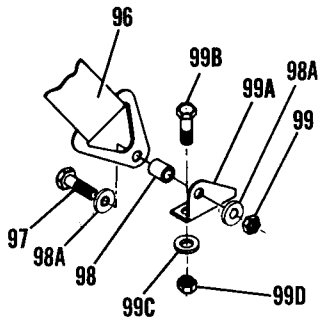
Figure 63B. Power Seat Bottom Assembly - Pilot & Co-Pilot

FIGURE AND INDEX NO.	PART NUMBER	DESCRIPTION	UNITS PER ASSY	USABLE ON CODE
		1 2 3 4 5 6 7		
638-	1414240-3	POWER SEAT BOTTOM ASSEMBLY-PILOTS -----	1	A
	1414240-3	POWER SEAT BOTTOM ASSEMBLY-PILOTS -----	1	B
	1414240-4	POWER SEAT BOTTOM ASSEMBLY-CO-PILOTS -----	1	A
	1414240-4	POWER SEAT BOTTOM ASSEMBLY-CO-PILOTS -----	1	B
- 1	0700634-1	CHANNEL OUTBOARD SIDE ONLY ----- ATTACHING PARTS	1	
- 2	MS20392-2C17	PIN -----	2	
- 3	MS24665-132	COTTER PIN ----- -----*	2	
- 4	0700633-2	BELLCRANK-INBOARD ----- ATTACHING PARTS	2	
- 5	NAS561P6-22	ROLL PIN ----- -----*	4	
- 6	0700633-4	BELLCRANK-OUTBOARD PILOTS SEAT -----	2	
	0700633-1	BELLCRANK-OUTBOARD CO-PILOTS SEAT ----- ATTACHING PARTS	2	
- 7	NAS561P6-22	ROLL PIN ----- -----*	4	
- 8	1414248-1	HANDLE-SEAT ADJUSTMENT ----- ATTACHING PARTS	1	
- 9	MS20392-2C21	PIN -----	1	
	MS24665-132	COTTER PIN ----- -----*	1	
-10	1414245-2	ROD-SEAT ADJUSTMENT ----- ATTACHING PARTS	1	
-11	1414104-56	CLAMP -----	1	
-12	MS20392-1C15	PIN -----	2	
-13	MS24665-132	COTTER PIN -----	2	
-14	MS24665-132	COTTER PIN ----- -----*	1	
-15	1414116-1	SPRING -----	1	
-16	1414104-8	BRACKET-SEAT ADJUSTMENT ROD -----	1	
-17	S1551-1	ROLLER-SEAT ----- ATTACHING PARTS	4	
-18	AN23-19A	BOLT -----	1	
-19	AN960-10L	WASHER -----	2	
-20	S1914-8	NUT -----	1	
-21	1414104-54	BUSHING-SEAT ROLLER -----	1	
-22	S1554-1	WASHER ----- -----*	2	
-23	1414249-2	MOTOR ASSEMBLY ----- ATTACHING PARTS	1	
-24	1414247-1	BOLT -----	1	
-25	AN316C5R	NUT -----	1	
-26	MS20392-5C65	PIN -----	1	
-27	NAS43DD6-33	SPACER -----	2	
-28	MS24665-283	COTTER PIN ----- -----*	1	
-29	1414242-1	BRACKET-MOTOR ASSEMBLY -----	1	
-30	1200136-1	COLLAR-TORQUE TUBE ----- ATTACHING PARTS	3	
-31	NAS561P6-18	ROLL PIN ----- -----*	3	
-32	1414243-1	BELLCRANK ----- ATTACHING PARTS	1	
-33	AN4-14A	BOLT -----	2	
	NAS679A4	NUT ----- -----*	2	
-34	0700639-3	TORQUE TUBE-FORWARD -----	1	
-35	0700639-2	TORQUE TUBE-AFT -----	1	
-36	1414241-3	LEG-LH -----	1	
-37	1414241-4	LEG-RH -----	1	
-38	0700645-1	HOUSING-SEAT ROLLER FWD LH -----	1	
-39	0700645-2	HOUSING-SEAT ROLLER FWD RH -----	1	
-40	0700645-3	HOUSING-SEAT ROLLER AFT LH -----	1	
	0700645-4	HOUSING-SEAT ROLLER AFT RH -----	1	
-41	0700641-3	BRACE-SEAT -----	1	
-42	0700641-4	BRACE-SEAT -----	1	

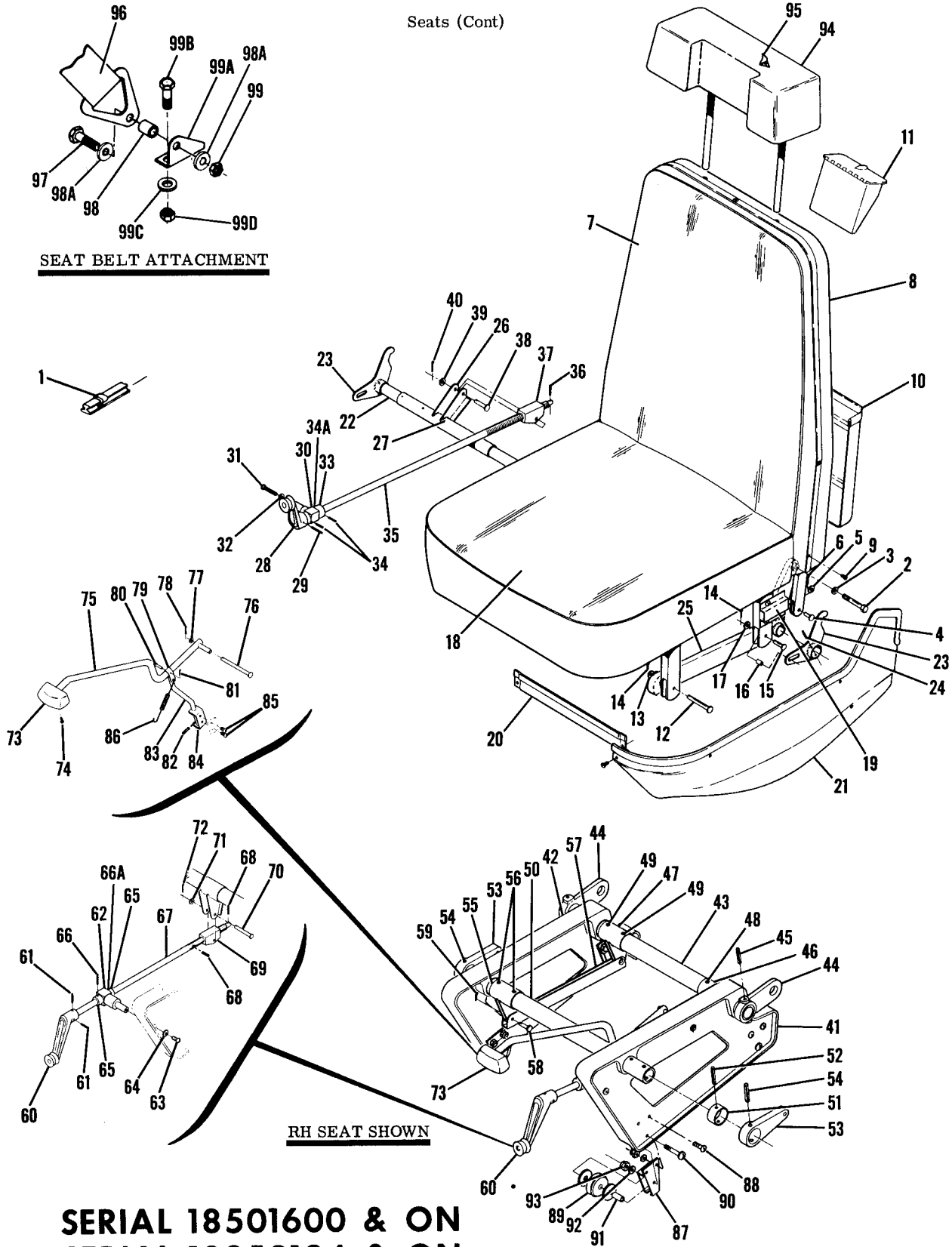
NOTE. □ THIS PART NUMBER MUST HAVE A SECOND DASH NUMBER ADDED TO DENOTE COLOR. REFER TO HOW TO ORDER INTERIOR PARTS-PAGE XIII.

A---SERIAL 18051347 THRU 18051607
SERIAL 185-0691 THRU 185-0967
B---SERIAL 18051608 THRU 18051774
SERIAL 185-0968 THRU 185-1149

Seats (Cont)



SEAT BELT ATTACHMENT



RH SEAT SHOWN

SERIAL 18501600 & ON
SERIAL 18052104 & ON

Figure 63C. Infinitely Adjustable Front Seat Installation

FIGURE AND INDEX NO.	PART NUMBER		DESCRIPTION							UNITS PER ASSY	USABLE ON CODE
			1	2	3	4	5	6	7		
63C-			FRONT SEAT INSTALLATION-INFINITE ADJUST -----							NP	A
	0515001-1	#	FRONT SEAT ASSEMBLY-INFINITE ADJUST CO-PILOT -----							1	B
	0515001-26		FRONT SEAT ASSEMBLY-INFINITE ADJUST CO-PILOT -----							1	C
	0515001-20	#	FRONT SEAT ASSEMBLY-INFINITE ADJUST PILOT -----							1	B
	0515001-25		FRONT SEAT ASSEMBLY-INFINITE ADJUST PILOT -----							1	C
			ATTACHING PARTS								
- 1	0713074-1		STOP-SEAT -----							2	
	MS20392-1C21		PIN -----							2	
	MS24665-151		PIN-COTTER -----							2	
			-----*								
	0515001-200	#	BACK ASSEMBLY-UPHOLSTERED SEAT -----							1	B
			BACK ASSEMBLY-UPHOLSTERED SEAT -----							NP	C
			ATTACHING PARTS								
- 2	AN3-17A		BOLT -----							2	
- 3	AN960-10L		WASHER -----							4	
	0514029-2		SPACER -----							2	
	MS21044N3		NUT -----							2	
- 4	MS20392-2C11		PIN -----							2	
- 5	AN960-10L		WASHER -----							2	
- 6	MS24665-132		PIN-COTTER -----							2	
			-----*								
- 7	0515001-7	#	COVER ASSEMBLY-SEAT BACK -----							1	B
	0515001-42	#	COVER ASSEMBLY-SEAT BACK -----							1	C
- 8	0514018-1	□	TRIM ASSEMBLY-SEAT BACK -----							1	B
	0514018-15	□	TRIM ASSEMBLY-SEAT BACK -----							1	C
			ATTACHING PARTS								
- 9	S1021A4-6		SCREW -----							3	
			-----*								
-10	0514018-3	□	POCKET ASSEMBLY-MAGAZINE -----							1	
-11	S1957-2		ASH RECEIVER -----							1	
	0515001-201	#	BOTTOM ASSEMBLY-UPHOLSTERED SEAT CO-PILOT -----							1	B
	0515001-210	#	BOTTOM ASSEMBLY-UPHOLSTERED SEAT PILOT -----							1	B
			BOTTOM ASSEMBLY-UPHOLSTERED SEAT -----							NP	C
			ATTACHING PARTS								
-12	MS20392-3C49		PIN -----							2	
-13	AN960-416L		WASHER -----							2	
-14	MS24665-134		PIN-COTTER -----							4	
-15	MS20392-3C17		PIN -----							2	
-16	0514029-1		SPACER -----							2	
-17	AN960-416L		WASHER -----							2	
			-----*								
-18	0515001-10	#	COVER ASSEMBLY-SEAT BOTTOM -----							1	B
	0515001-38	#	COVER ASSEMBLY-SEAT BOTTOM -----							1	C
-19	0514021-16		SUPPORT-SEAT TRIM -----							2	
			ATTACHING PARTS								
	S1021A4-6		SCREW -----							2	
			-----*								
-20	0514017-3	□	TRIM -----							1	
-21	0514017-1	□	TRIM-LH WEU 0714010-1 -----							1	J
	0514017-2	□	TRIM-RH WEU 0714010-2 -----							1	K
	0714010-1	□	TRIM-LH -----							1	J
	0714010-2	□	TRIM-RH -----							1	K
			ATTACHING PARTS								
	S1021A4-6		SCREW -----							4	
			-----*								
-22	0514026-11		TUBE-TORQUE -----							1	
-23	0514030-4		BELLCRANK ASSEMBLY-SEAT BACK ADJUST -----							2	
			ATTACHING PARTS								
-24	NAS561P4-12		ROLL PIN -----							2	
			-----*								
-25	0514060-5		BRACKET-SEAT PIVOT -----							2	
-26	0514028-10		BELLCRANK ASSEMBLY-SEAT ADJUST -----							1	F
	0514028-15		BELLCRANK ASSEMBLY-SEAT ADJUST PILOT -----							1	H
	0514028-16		BELLCRANK ASSEMBLY-SEAT ADJUST CO-PILOT -----							1	H
			ATTACHING PARTS								
-27	NAS561P6-12		ROLL PIN -----							5	
			-----*								

CONTINUED ON NEXT PAGE

FIGURE AND INDEX NO.	PART NUMBER	DESCRIPTION	UNITS PER ASSY	USABLE ON CODE		
					1	2
63C-28	0514036-1	HANDLE ASSEMBLY-SEAT BACK ADJUST ----- ATTACHING PARTS -----	1			
-29	NAS561P4-12	ROLL PIN ----- -----*	1			
-30	0514033-1	BEARING BLOCK ----- ATTACHING PARTS -----	1			
-31	AN520-10R8	SCREW -----	1			
-32	AN960-10L	WASHER ----- -----*	1			
-33	1200138-2	COLLAR ----- ATTACHING PARTS -----	2			
-34	NAS561P4-12	ROLL PIN ----- -----*	1			
-34A	S2013L2	BEARING -----	1	E E D G H		
	S2014-2	RACE -----	2			
-35	0514027-2	SCREW ASSEMBLY WEU 0514027-6 -----	1			
	0514027-6	SCREW ASSEMBLY -----	1			
	0514027-9	SCREW ASSEMBLY -----	1			
-36	NAS561P4-10	ROLL PIN -----	1			
-37	1200139-1	NUT-SEAT ADJUST ----- ATTACHING PARTS -----	1			
-38	MS20392-2C37	PIN -----	1			
-39	AN960-10	WASHER -----	1			
-40	MS24665-132	PIN-COTTER ----- -----*	1			
	0514024-1	PEDESTAL ASSEMBLY-CO-PILOT SEAT -----	1			
	0514024-2	PEDESTAL ASSEMBLY-PILOT SEAT -----	1			
-41	0514035-1	PEDESTAL-LH -----	1			
-42	0514035-2	PEDESTAL-RH -----	1			
-43	0514026-2	TORQUE TUBE-REAR -----	1			
-44	0514034-1	BELLCRANK-VERTICAL ADJUSTMENT REAR ----- ATTACHING PARTS -----	2			
-45	NAS561P6-28	ROLL PIN ----- -----*	1			
-46	0514028-6	BELLCRANK ASSEMBLY-REAR TORQUE TUBE -----	1			
-47	0514028-5	BELLCRANK ASSEMBLY-REAR TORQUE TUBE ----- ATTACHING PARTS -----	1			
-48	NAS561P8-18	ROLL PIN LH BELLCRANK -----	2			
-49	NAS561P6-18	ROLL PIN RH BELLCRANK ----- -----*	2			
-50	0514026-4	TORQUE TUBE-FORWARD -----	1			
-51	1200136-1	COLLAR-FRONT TORQUE TUBE ----- ATTACHING PARTS -----	3			
-52	NAS561P6-18	ROLL PIN ----- -----*	1			
-53	0700633-5	BELLCRANK ASSEMBLY-VERTICAL ADJUSTMENT FRONT ----- ATTACHING PARTS -----	2			
-54	NAS561P6-22	ROLL PIN ----- -----*	1			
-55	0514028-5	BELLCRANK ASSEMBLY-FRONT TORQUE TUBE ----- ATTACHING PARTS -----	1			
-56	NAS561P6-18	ROLL PIN ----- -----*	2			
-57	0514032-1	CHANNEL-TORQUE TUBE INTERCONNECT ----- ATTACHING PARTS -----	1			
-58	MS20392-2C37	PIN -----	2			
-59	MS24665-132	PIN-COTTER ----- -----*	2			
-60	1200159-3	HANDLE ASSEMBLY-VERTICAL ADJUST ----- ATTACHING PARTS -----	1			
-61	NAS561P4-12	ROLL PIN ----- -----*	2			
-62	0514033-1	BEARING BLOCK ----- ATTACHING PARTS -----	1			
-63	AN520-10R8	SCREW -----	1			
-64	AN960-10L	WASHER ----- -----*	1			

CONTINUED ON NEXT PAGE

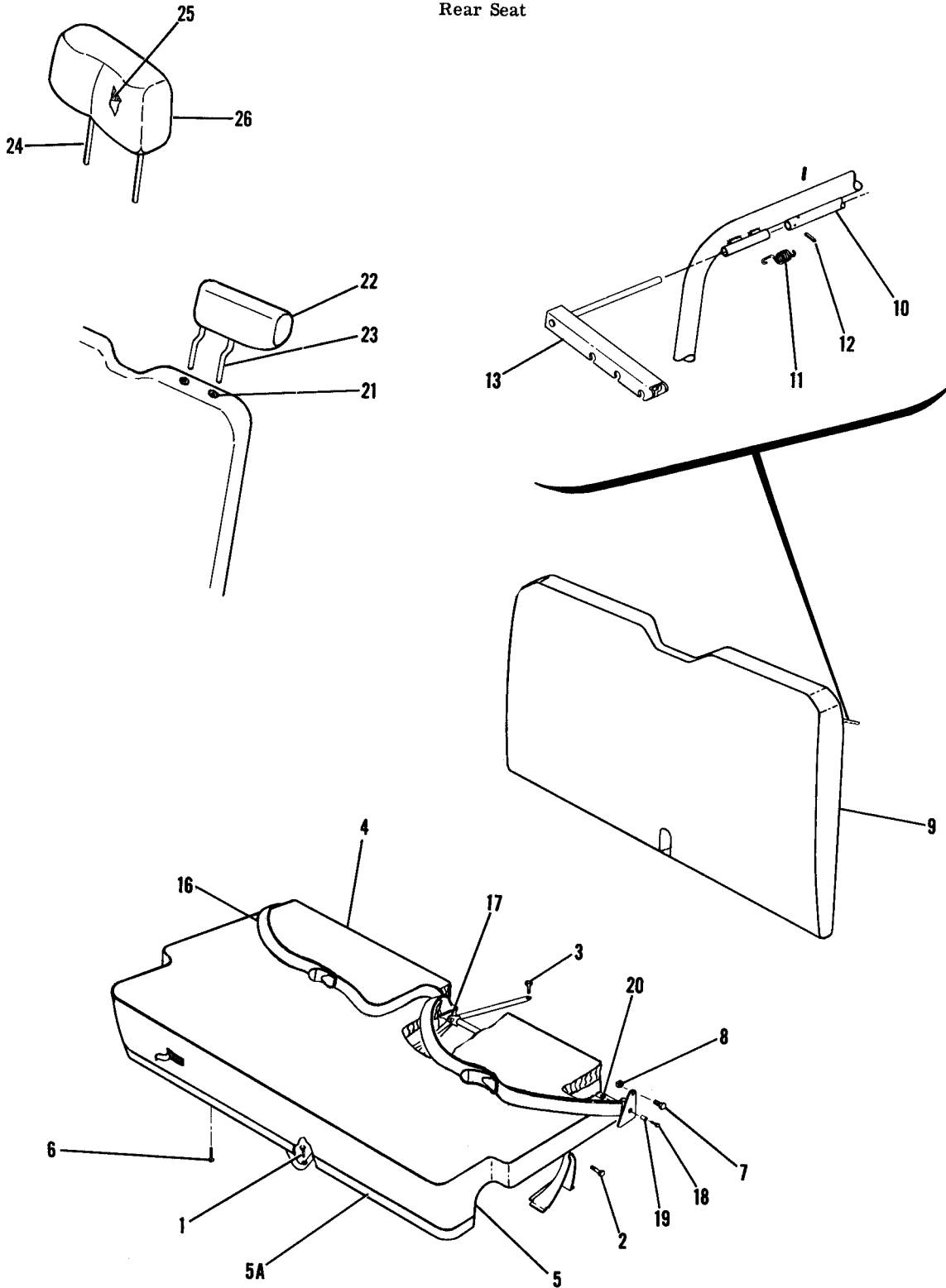
FIGURE AND INDEX NO.	PART NUMBER	DESCRIPTION	UNITS PER ASSY	USABLE ON CODE
		1 2 3 4 5 6 7		
63C-65	1200138-1	COLLAR -----	2	
		ATTACHING PARTS		
-66	NAS561P4-12	ROLL PIN -----	1	
		---*---		
-66A	2013L2	BEARING -----	1	E
	2014-2	RACE -----	2	E
-67	0514027-1	SCREW ASSEMBLY-VERTICAL ADJUST WEU 0514027-5 -----	1	D
	0514027-5	SCREW ASSEMBLY-VERTICAL ADJUST -----	1	E
-68	NAS561P4-10	ROLL PIN-PILOT SEAT -----	1	
	NAS561P4-10	ROLL PIN-CO-PILOT SEAT -----	2	
-69	0514037-1	NUT-SEAT ADJUST -----	1	
		ATTACHING PARTS		
-70	MS20392-2C37	PIN -----	1	
-71	AN960-10	WASHER -----	1	
-72	MS24665-132	PIN-COTTER -----	1	
		---*---		
-73	0700113-1	KNOB-SEAT ADJUST -----	1	
		ATTACHING PARTS		
-74	S1021Z6-8	SCREW -----	1	
		---*---		
-75	0514047-1	ARM ASSEMBLY-CO-PILOT SEAT ADJUST -----	1	
	0514047-9	ARM ASSEMBLY-PILOT SEAT ADJUST -----	1	
		ATTACHING PARTS		
-76	MS20392-2C83	PIN CO-PILOT SEAT -----	1	
	MS20392-2C45	PIN PILOT SEAT -----	1	
-77	AN960-10L	WASHER -----	1	
-78	MS24665-132	PIN-COTTER -----	1	
		---*---		
-79	1414104-56	CLAMP USED ON CO-PILOT SEAT ONLY -----	1	
-80	MS20392-1C15	PIN-CO-PILOT SEAT -----	2	
	MS20392-1C15	PIN-PILOT SEAT -----	1	
-81	MS24665-132	PIN-COTTER CO-PILOT SEAT -----	1	
-82	NAS561-3-16	ROLL PIN -----	1	
-83	1714067-2	PIN-CO-PILOT SEAT ADJUST -----	1	
	1714067-4	PIN-PILOT SEAT ADJUST -----	1	
-84	1714061-1	GUIDE -----	1	
		ATTACHING PARTS		
-85	AN515-8R6	SCREW -----	2	
	NAS679A08	NUT -----	2	
		---*---		
-86	1414116-1	SPRING -----	1	
-87	1714000-33	HOUSING ASSEMBLY-ROLLER -----	4	
		ATTACHING PARTS		
-88	NAS220-11	SCREW -----	2	
	AN960-8	WASHER -----	2	
	NAS679A08	NUT -----	2	
		---*---		
-89	1714000-200	KIT-SEAT ROLLER -----	4	
		ATTACHING PARTS		
-90	AN23-20A	SCREW -----	1	
-91	1414104-54	BUSHING -----	1	
-92	AN960-10L	WASHER -----	1	
-93	S1914-8	NUT -----	1	
		---*---		
-94	0514048-1	# HEADREST ASSEMBLY -----	2	
-95	0514048-9	# COVER-HEADREST -----	1	
-96	S1746W2	% BELT ASSEMBLY-FRONT SEAT -----	2	B
	S2070W103	% BELT ASSEMBLY-FRONT SEAT -----	2	C
		ATTACHING PARTS		
-97	AN4-5A	BOLT -----	2	
-98	NAS43HT4-12	SPACER -----	2	
-98A	AN960-416	WASHER -----	3	
-99	NAS679A4	NUT OUTBOARD FITTINGS ONLY -----	1	
		---*---		

CONTINUED ON NEXT PAGE

FIGURE AND INDEX NO.	PART NUMBER	DESCRIPTION	UNITS PER ASSY	USABLE ON CODE
63C-99A -99B -99C -99D	0510205-5	FITTING-SEAT BELT LH OUTBOARD & RH INBOARD -----	2	
	0510205-6	FITTING-SEAT BELT RH OUTBOARD & LH INBOARD -----	2	
	AN3-4A	ATTACHING PARTS		
	AN3-5A	BOLT INBOARD FITTINGS ONLY -----	2	
	AN970-3	BOLT OUTBOARD FITTINGS ONLY -----	2	
MS21044N3	WASHER UNDER FORWARD NUT ONLY -----	1		
		NUT -----	2	
		-----*		
		NOTE. #THIS PART NUMBER MUST HAVE A SECOND DASH NUMBER ADDED TO DENOTE COLOR. REFER TO HOW TO ORDER UPHOLSTERED PARTS-PAGE XII.		
		NOTE. □THIS PART NUMBER MUST HAVE A SECOND DASH NUMBER ADDED TO DENOTE COLOR. REFER TO HOW TO ORDER INTERIOR PARTS-PAGE XIII.		
		NOTE. *WHEN INITIALLY ORDERING THIS PART FOR AIRCRAFT PRIOR TO SERIALS 18052195 & 18501876 ALSO ORDER ONE S2013L2 BEARING & TWO S2014-2 RACE.		
		NOTE. %SEE FIGURE 70 FOR SHOULDER HARNESS INSTL.		
		A---SERIAL 18501600 & ON SERIAL 18052104 & ON		
		B---SERIAL 18501600 THRU 18501832 SERIAL 18052104 THRU 18052175		
		C---SERIAL 18501833 & ON SERIAL 18052176 & ON		
		D---SERIAL 18501600 THRU 18501875 SERIAL 18052104 THRU 18052194		
		E---SERIAL 18501876 & ON SERIAL 18052195 & ON		
		F---SERIAL 18501600 THRU 18501934 SERIAL 18052104 THRU 18052222		
		G---SERIAL 18501876 THRU 18501934 SERIAL 18052195 THRU 18052222		
		H---SERIAL 18501935 & ON SERIAL 18052223 & ON		
		J---SERIAL 18501600 THRU 18502090 SERIAL 18052104 THRU 18052284		
		K---SERIAL 18502091 & ON SERIAL 18052285 & ON		

This page intentionally left blank.

Rear Seat



SERIAL 185-0001 THRU 185-1599
SERIAL 18051184 THRU 18052103

Figure 64. Rear Seat Installation



FIGURE AND INDEX NO.	PART NUMBER	DESCRIPTION	UNITS PER ASSY	USABLE ON CODE
64 -		SEAT INSTALLATION-REAR -----	NP	K
		CUSHION ASSEMBLY-REAR SEAT FSD 0715018-2 SEE FIG 64A- ATTACHING PARTS	1	
- 1	AN3-11A	BOLT -----	1	
- 2	AN4-11A	BOLT -----	2	
- 3	AN4-6A	BOLT -----	1	

- 4	0700105-11 #	COVER ASSEMBLY-REAR SEAT CUSHION DELUXE UPHOLSTERY -----	1	
	0700105-465 #	COVER ASSEMBLY-REAR SEAT CUSHION UTILITY UPHOLSTERY -----	1	
- 5	0511174-1	RETAINER-REAR SEAT UPHOLSTERY -----	1	
- 5A	0700126-1	RETAINER-REAR SEAT UPHOLSTERY ----- ATTACHING PARTS	1	E
- 6	S102126-4	SCREW -----	6	

		BACK ASSEMBLY-REAR SEAT FSD 0715018-1 SEE FIG 64A -----	1	C
	0700105-462 #	BACK ASSEMBLY-REAR SEAT UTILITY UPHOLSTERY -----	1	D
	0700105-351 #	BACK ASSEMBLY-REAR SEAT DELUXE UPHOLSTERY ----- ATTACHING PARTS	1	D
- 7	AN4-26A	BOLT -----	2	
- 8	NAS679A4	NUT -----	2	

- 9	0700105-457 #	COVER ASSEMBLY-REAR SEAT BACK DELUXE UPHOLSTERY -----	1	C
	0700105-417 #	COVER ASSEMBLY-REAR SEAT BACK UTILITY UPHOLSTERY -----	1	C
	0700105-10 #	COVER ASSEMBLY-REAR SEAT BACK -----	1	D
-10	0411623-1	LATCH-SEAT BACK -----	1	
-11	0511049	SPRING-LATCH LH -----	1	
	0511049-1	SPRING-LATCH RH ----- ATTACHING PARTS	1	
-12	59-022-044-375	PIN-ROLL EN -----	1	

-13	0511284-3	LATCH ASSEMBLY-REAR SEAT LH -----	1	
	0511284-4	LATCH ASSEMBLY-REAR SEAT RH -----	1	
-14		DELETED, NOT AVAILABLE -----		
-15		DELETED, NOT AVAILABLE -----		
-16	S1060-1	BELT ASSEMBLY-SEAT BLACK -----	2	A
	S1060-14	BELT ASSEMBLY-SEAT BEIGE -----	2	B
	S1618D1	BELT ASSEMBLY-SEAT TAN -----	2	F
	S1746D1	BELT ASSEMBLY-SEAT TAN ----- ATTACHING PARTS	2	J
-17	AN4-12A	BOLT -----	1	C
	AN4-11A	BOLT -----	1	D
	NAS43HT4-47	SPACER -----	1	
	NAS679A4	NUT -----	1	
	AN960-416	WASHER -----	1	C
-18	AN4-6A	BOLT -----	1	
-19	NAS43HT4-20	SPACER -----	1	
-20	NAS679A4	NUT -----	1	

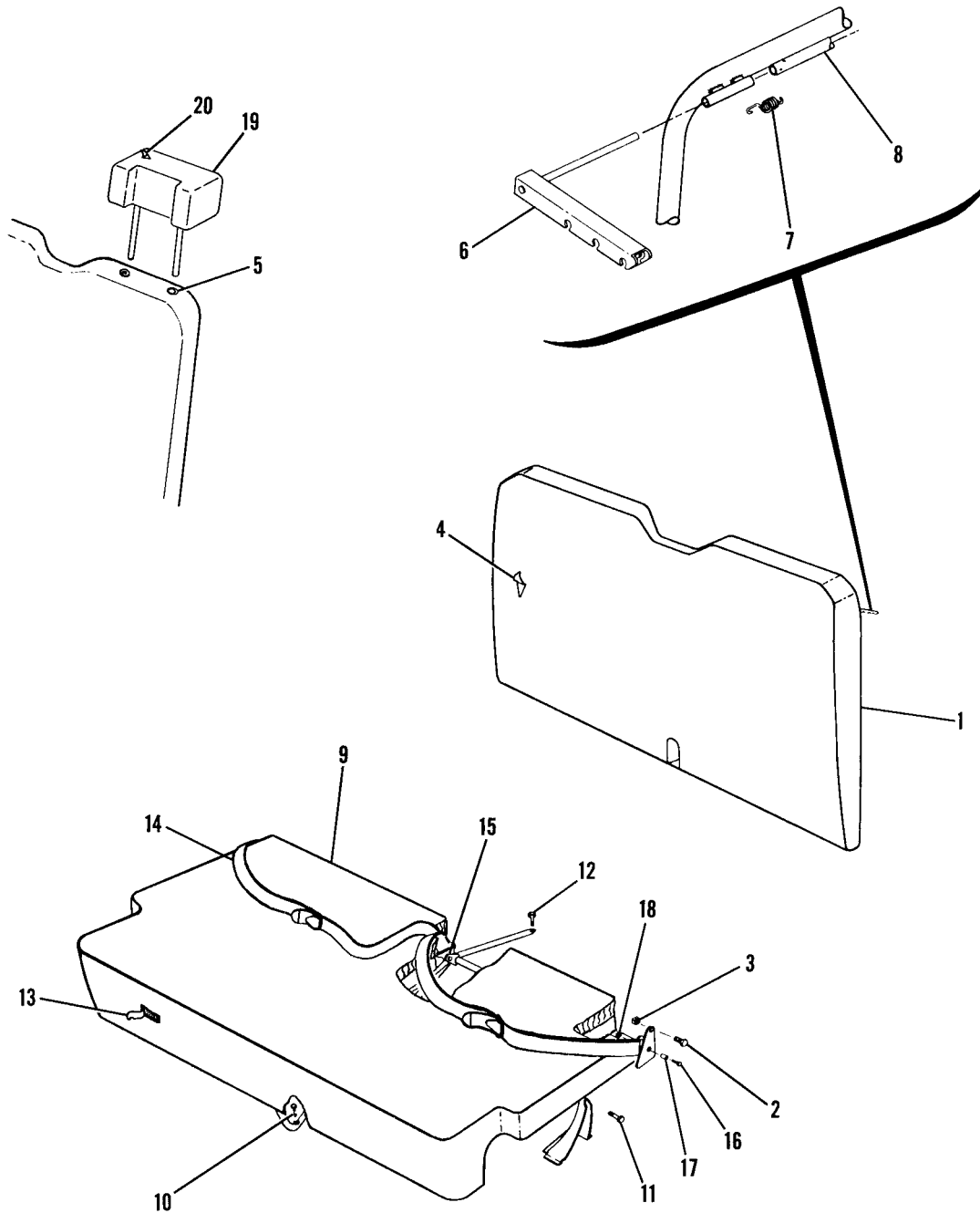
-21	0700320-1	RETAINER-REAR SEAT HEADREST -----	4	

CONTINUED ON NEXT PAGE

FIGURE AND INDEX NO.	PART NUMBER	DESCRIPTION							UNITS PER ASSY	USABLE ON CODE
		1	2	3	4	5	6	7		
64 -22	1200103-3	HEADREST ASSEMBLY-REAR SEAT LH -----							1	G
	1200103-4	HEADREST ASSEMBLY-REAR SEAT RH -----							1	G
-23	1200103-5	FRAME-REAR SEAT HEADREST -----							2	G
	1414252-1	#	HEADREST ASSEMBLY -----						2	H
	1714040-1	#	HEADREST ASSEMBLY -----						2	J
-24	1414252-2	FRAME-HEADREST -----							1	E
-25	1414252-7	CUSHION-HEADREST -----							1	H
	1714035-1	CUSHION-HEADREST -----							1	J
-26	1414252-6	#	COVER-HEADREST -----						1	H
	1714040-2	#	COVER-HEADREST -----						1	J
<p>NOTE. #THIS PART NUMBER MUST HAVE A SECOND DASH NUMBER ADDED TO DENOTE COLOR. REFER TO HOW TO ORDER UPHOLSTERED PARTS-PAGE XII.</p> <p>A---SERIAL 185-0001 THRU 185-0237, SERIAL 185-0777 THRU 185-0967 SERIAL 18051446 THRU 18051607 B---SERIAL 185-0238 THRU 185-0776 SERIAL 18051184 THRU 18051445 C---SERIAL 185-0001 THRU 185-1599 D---SERIAL 18051184 THRU 18052103 E---SERIAL 185-0513 THRU 185-1599 SERIAL 18051184 THRU 18052103 F---SERIAL 185-0968 THRU 185-1300 SERIAL 18051608 THRU 18051875 G---SERIAL 185-0001 THRU 185-0512 H---SERIAL 185-0513 THRU 185-1300 SERIAL 18051184 THRU 18051875 J---SERIAL 185-1301 THRU 185-1599 SERIAL 18051876 THRU 18052103 K---SERIAL 185-0001 THRU 185-1599 SERIAL 18051184 THRU 18052103</p>										

This page intentionally left blank.

Rear Seat (Cont)

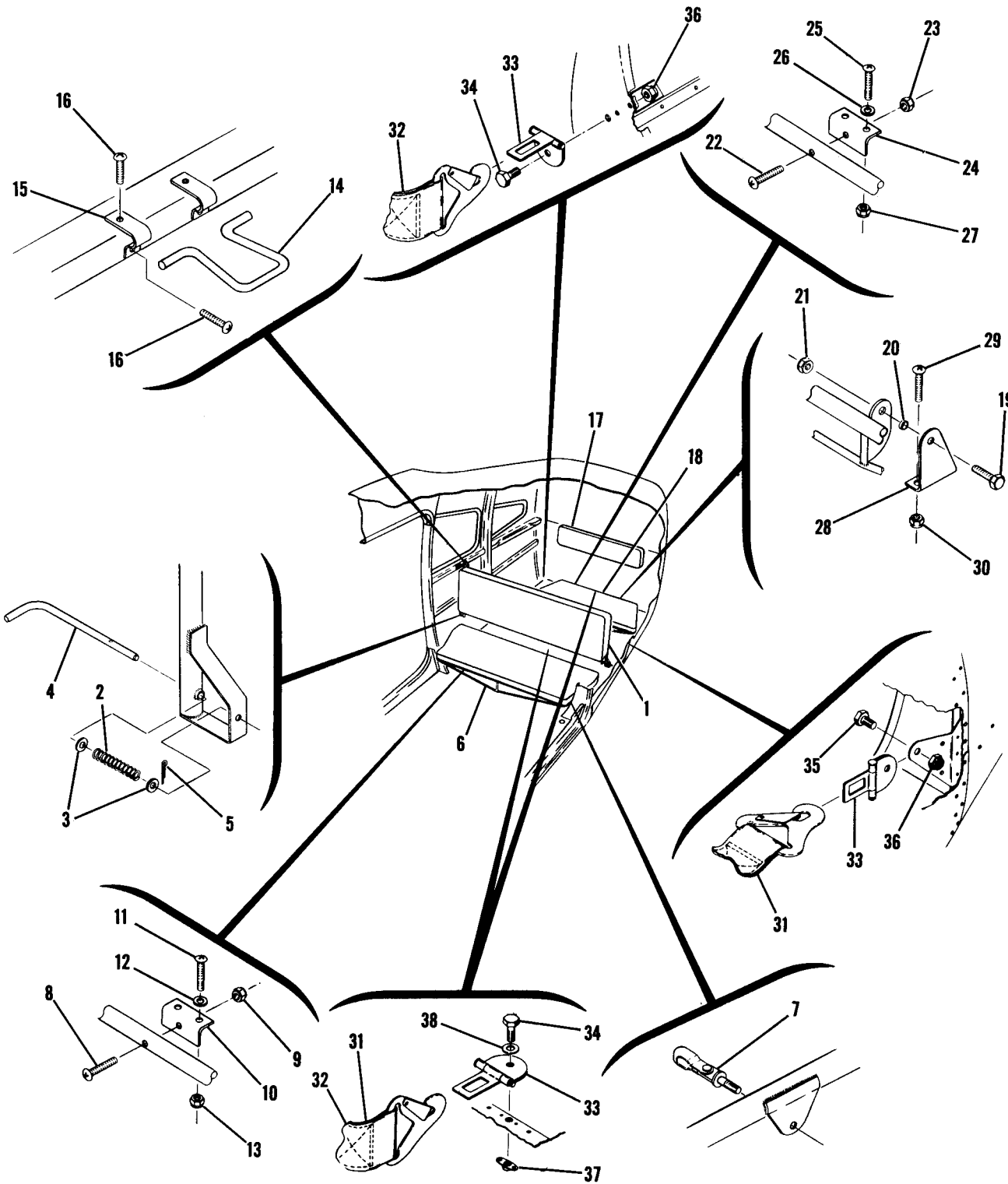


SERIAL 18501600 & ON
SERIAL 18052104 & ON

Figure 64A. Rear Seat Installation

FIGURE AND INDEX NO.	PART NUMBER		DESCRIPTION	UNITS PER ASSY	USABLE ON CODE
64A-			1 2 3 4 5 6 7		
- 1	0715018-1	#	SEAT INSTALLATION-REAR ----- SEAT BACK ASSEMBLY-UPHOLSTERED ----- ATTACHING PARTS -----	NP 1	A
- 2	AN4-26A		BOLT -----	2	
- 3	NAS679A4		NUT ----- -----*	2	
- 4	0715018-7	#	COVER ASSEMBLY-SEAT BACK -----	1	
- 5	0700320-1		RETAINER-HEADREST -----	4	
- 6	0511284-3		LATCH ASSEMBLY-LH -----	1	
	0511284-4		LATCH ASSEMBLY-RH -----	1	
- 7	0511049		SPRING-LATCH LH -----	1	
	0511049-1		SPRING-LATCH RH -----	1	
- 8	0411623-1		LATCH-SEAT BACK -----	1	
- 9	0715018-2	#	SEAT BOTTOM ASSEMBLY-UPHOLSTERED ----- ATTACHING PARTS -----	1	
-10	AN3-11A		BOLT -----	1	
-11	AN4-11A		BOLT -----	2	
-12	AN4-6A		BOLT ----- -----*	1	
-13	0715018-10	#	COVER ASSEMBLY-SEAT BOTTOM -----	1	
-14	S1746W1	*	BELT ASSEMBLY-SEAT -----	2	
	S2070W112	*	BELT ASSEMBLY-SEAT ----- ATTACHING PARTS -----	2	B
-15	AN4-11A		BOLT -----	1	
	NAS43HT4-47		SPACER -----	1	
	NAS679A4		NUT -----	1	
-16	AN4-6A		BOLT -----	1	
-17	NAS43HT4-20		SPACER -----	1	
-18	NAS679A4		NUT ----- -----*	1	
-19	0514048-1	#	HEADREST ASSEMBLY -----	2	
-20	0514048-9	#	COVER-HEADREST -----	1	
<p>NOTE. #THIS PART NUMBER MUST HAVE A SECOND DASH NUMBER ADDED TO DENOTE COLOR. REFER TO HOW TO ORDER UPHOLSTERED PARTS-PAGE XII.</p> <p>NOTE. *USED ON AIRCRAFT EQUIPPED WITH SHOULDER HARNESS. SEE FIGURE 70 FOR SHOULDER HARNESS.</p> <p>A---SERIAL 18501600 & ON SERIAL 18052104 & ON</p> <p>B---SERIAL 18501833 & ON SERIAL 18052176 & ON</p>					

Stowable Seats



SERIAL 185-0001 & ON
SERIAL 18051313 & ON

Figure 65. Stowable Rear Seats Installation

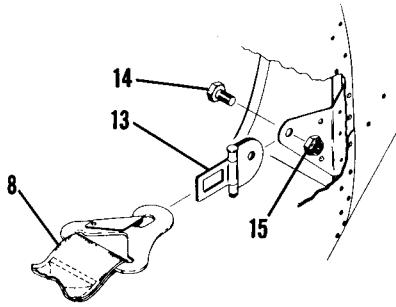
FIGURE AND INDEX NO.	PART NUMBER	DESCRIPTION	UNITS PER ASSY	USABLE ON CODE
		1 2 3 4 5 6 7		
65 -		SEATS INSTALLATION-STOWABLE REAR -----	NP	C
- 1	0711094-4 #	BACK ASSEMBLY-CENTER SEAT -----	1	E
	0711094-11 #	CUSHION ASSEMBLY-CENTER SEAT BACK -----	1	E
		ATTACHING PARTS -----		
	AN520-10R22	SCREW -----	2	E
	AN520-10R16	SCREW -----	2	E
		-----*		
- 2	0711129-3	SPRING -----	1	E
- 3	AN960-10	WASHER -----	2	E
- 4	0711129-2	HANDLE -----	1	E
- 5	MS24665-132	PIN-COTTER -----	1	E
- 6	0711094-3 #	BOTTOM ASSEMBLY-CENTER SEAT -----	1	E
		ATTACHING PARTS -----		
- 7	0711122-1	EYEBOLT -----	4	E
		-----*		
	0711094-5 #	CUSHION ASSEMBLY-CENTER SEAT BOTTOM -----	1	E
		ATTACHING PARTS -----		
- 8	AN515-8R18	SCREW -----	4	E
- 9	NAS679A08	NUT -----	4	E
		-----*		
-10	0711098-2	CLIP -----	4	E
		ATTACHING PARTS -----		
-11	AN515-8R10	SCREW -----	2	E
-12	AN960-8	WASHER -----	2	E
-13	NAS679A08	NUT -----	2	E
		-----*		
-14	0711128-1	SUPPORT-CENTER SEAT BACK -----	2	E
-15	0711129-4	CLAMP -----	4	E
-16	AN520-10R7	SCREW -----	2	E
		SEAT ASSEMBLY-DIVIDED MIDDLE SEE FIGURE 65A -----	2	F
-17	0711080-1 #	BACK REST ASSEMBLY-REAR SEAT -----	1	H
-18	0711097-5 #	BOTTOM ASSEMBLY-REAR SEAT -----	1	J
	0711097-28 #	BOTTOM ASSEMBLY-REAR SEAT -----	1	J
		ATTACHING PARTS -----		
-19	AN3-4A	BOLT -----	2	
-20	NAS43HT3-6	SPACER -----	2	
-21	MS21044N3	NUT -----	2	
		-----*		
	0711097-21	STRAP ASSEMBLY-UP POSITION -----	1	
		ATTACHING PARTS -----		
	AN545-6R3	SCREW -----	1	
		-----*		
	0711097-4 #	CUSHION ASSEMBLY -----	1	H
	0711097-25 #	CUSHION ASSEMBLY -----	1	J
		ATTACHING PARTS -----		
-22	AN516-8R14	SCREW -----	4	
-23	NAS679A08	NUT -----	4	
		-----*		
-24	0711098-2	CLIP -----	4	
		ATTACHING PARTS -----		
-25	AN515-8R10	SCREW -----	2	
-26	AN960-8	WASHER -----	2	
-27	NAS679A08	NUT -----	2	
		-----*		
-28	0711098-3	HINGE-REAR SEAT BOTTOM LH -----	1	K
	0711098-5	HINGE-REAR SEAT BOTTOM LH -----	1	L
	0711098-4	HINGE-REAR SEAT BOTTOM RH -----	1	K
	0711098-6	HINGE-REAR SEAT BOTTOM RH -----	1	L
		ATTACHING PARTS -----		
-29	AN515-8R8	SCREW -----	2	
-30	NAS679A08	NUT -----	2	
		-----*		
-31	S1620B5	BELT ASSEMBLY-CENTER SEAT BLACK -----	2	A
	S1243-5	BELT ASSEMBLY-CENTER SEAT BEIGE -----	2	B
	S1620D5	BELT ASSEMBLY-CENTER SEAT TAN -----	2	M
		BELT ASSEMBLY-CENTER SEAT SEE FIGURE 65A -----	2	F
-32	S1620B2	BELT ASSEMBLY-REAR SEAT BLACK -----	2	A
	S1243-4	BELT ASSEMBLY-REAR SEAT BEIGE -----	2	B
	S1620D2	BELT ASSEMBLY-REAR SEAT TAN -----	2	D
	S1746D6	BELT ASSEMBLY-REAR SEAT TAN -----	2	G
	S1746W6	BELT ASSEMBLY-REAR SEAT CLOVE BROWN -----	2	R
	S2070W118 *	BELT ASSEMBLY-REAR SEAT CLOVE BROWN -----	2	Q

CONTINUED ON NEXT PAGE

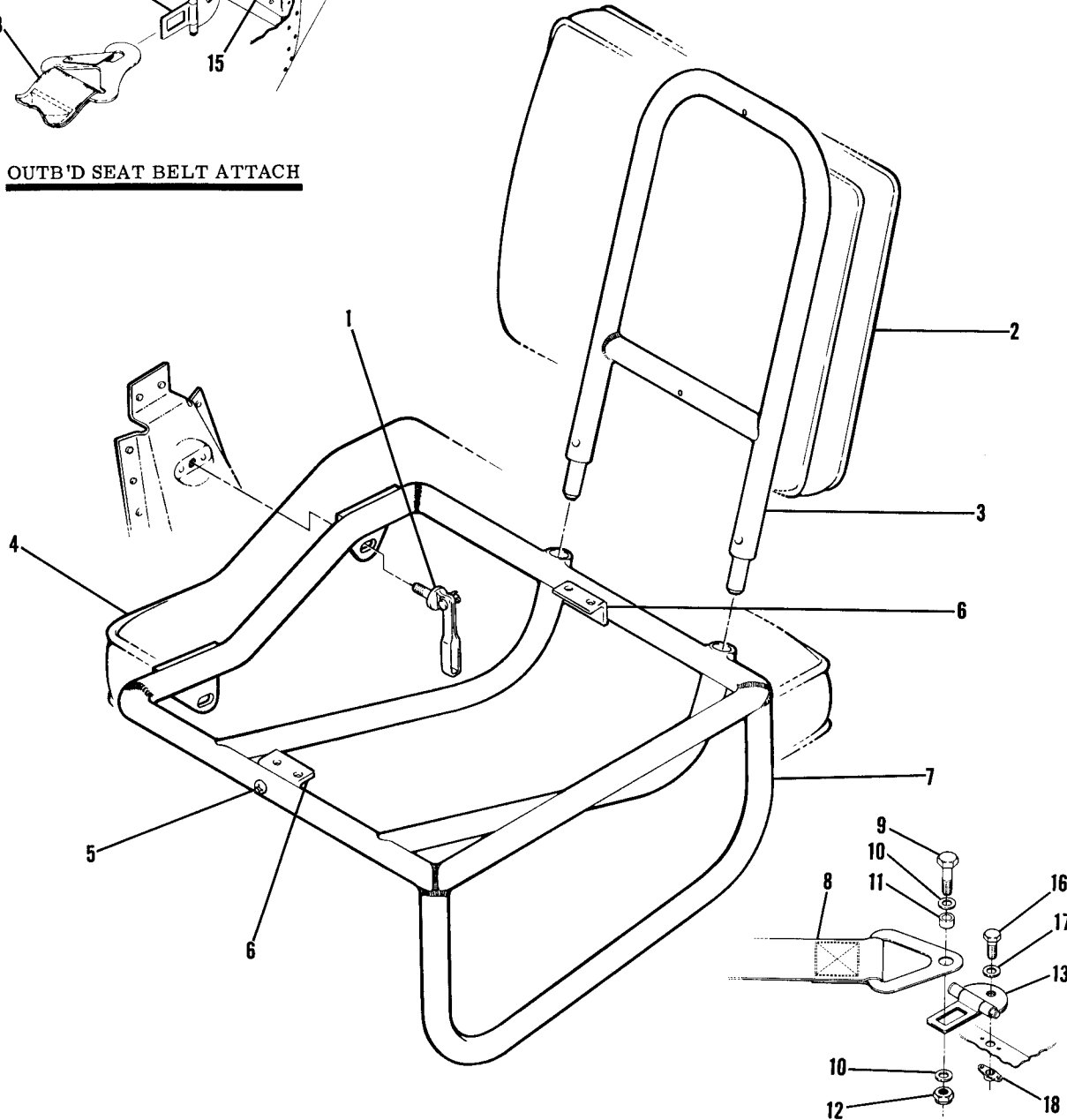
FIGURE AND INDEX NO.	PART NUMBER	DESCRIPTION							UNITS PER ASSY	USABLE ON CODE	
		1	2	3	4	5	6	7			
65 -33	0711083-1 0711083-1 0711083-1	LATCH ASSEMBLY-SEAT BELT -----							6	E	
		LATCH ASSEMBLY-SEAT BELT -----							3	P	
		LATCH ASSEMBLY-SEAT BELT -----							4	Q	
		ATTACHING PARTS									
-34	AN4-6A	BOLT -----							1		
-35	AN4-5A	BOLT -----							1		
-36	NAS679A4	NUT -----							1		
-37	NAS697A4	NUTPLATE -----							1	N	
	NAS696A4	NUTPLATE -----							1	Q	
-38	S1074-1	WASHER -----							1		
		---*---									
		NOTE. #THIS PART NUMBER MUST HAVE A SECOND DASH NUMBER ADDED TO DENOTE COLOR. REFER TO HOW TO ORDER UPHOLSTERED PARTS-PAGE XII.									
		NOTE. *USED ON AIRCRAFT EQUIPPED WITH SHOULDER HARNESS. SEE FIGURE 70 FOR SHOULDER HARNESS.									
		A---SERIAL 185-0001 THRU 185-0237, SERIAL 185-0777 THRU 185-0967 SERIAL 18051446 THRU 18051607									
		B---SERIAL 185-0238 THRU 185-0776 SERIAL 18051313 THRU 18051445									
		C---SERIAL 185-0001 & ON SERIAL 18051313 & ON									
		D---SERIAL 185-0968 THRU 185-1300 SERIAL 18051608 THRU 18051875									
		E---SERIAL 185-0001 THRU 185-1149 SERIAL 18051313 THRU 18051774									
		F---SERIAL 185-1150 & ON SERIAL 18051775 & ON									
		G---SERIAL 185-1301 THRU 185-1599 SERIAL 18051876 THRU 18052103									
		H---SERIAL 185-0001 THRU 185-1447 SERIAL 18051313 THRU 18051993									
		J---SERIAL 185-1448 & ON SERIAL 18051994 & ON									
		K---SERIAL 185-0001 THRU 185-0004, 185-0006, 185-0008 & 185-0009									
		L---SERIAL 185-0005, 185-0007, 185-0010 & ON SERIAL 18051313 & ON									
		M---SERIAL 185-0968 THRU 185-1149 SERIAL 18051608 THRU 18051774									
		N---SERIAL 185-0001 THRU 18501832 SERIAL 18051313 THRU 18052175									
		P---SERIAL 185-1150 THRU 18501832 SERIAL 18051775 THRU 18052175									
		Q---SERIAL 18501833 & ON SERIAL 18052176 & ON									
		R---SERIAL 18501600 & ON SERIAL 18052104 & ON									

This page intentionally left blank.

Stowable Seats (Cont)



OUTB'D SEAT BELT ATTACH



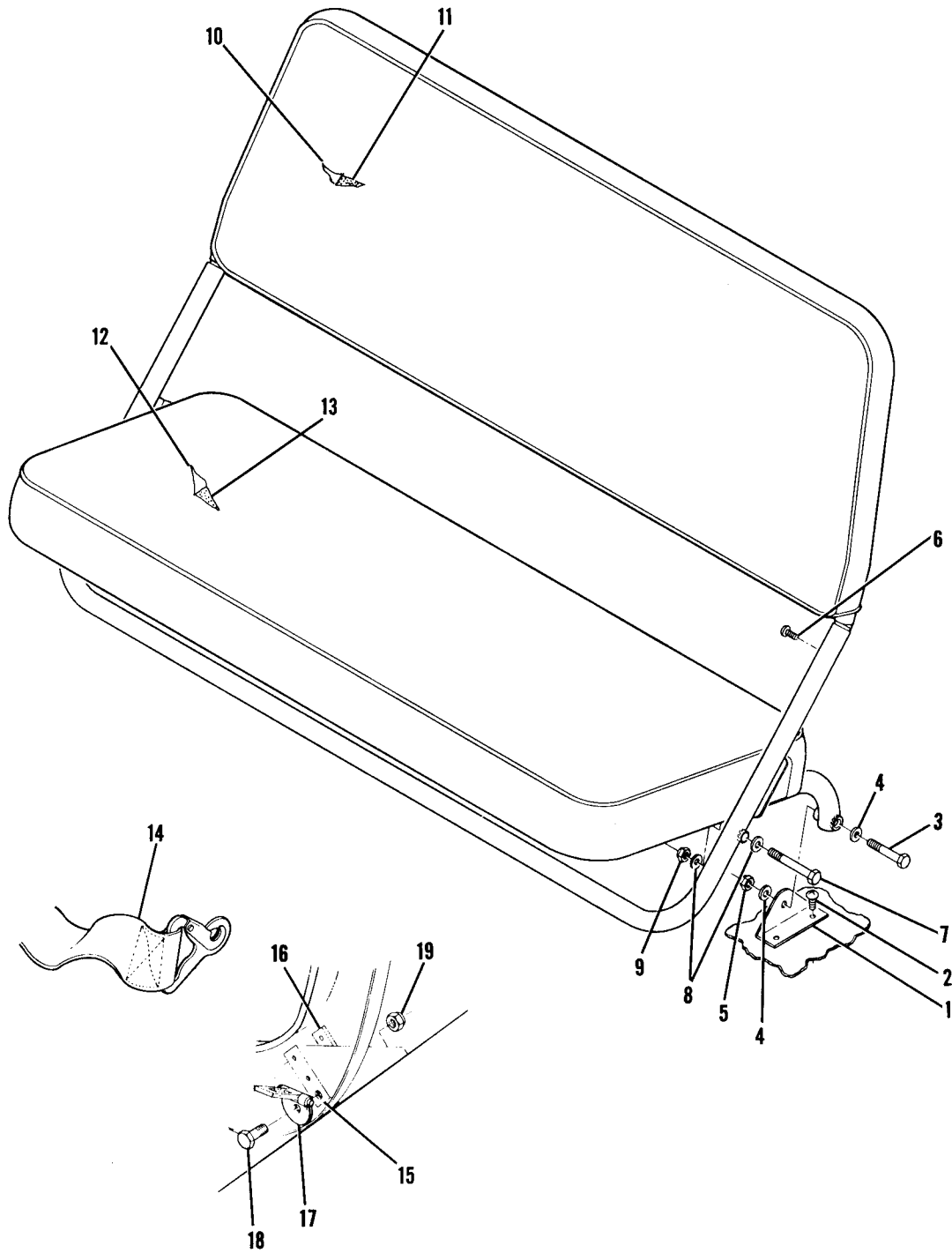
INB'D SEAT BELT ATTACH

SERIAL 185-1150 & ON
SERIAL 18051775 & ON

Figure 65A. Divided Middle Seat Assembly

FIGURE AND INDEX NO.	PART NUMBER	DESCRIPTION	UNITS PER ASSY	USABLE ON CODE
65A-		1 2 3 4 5 6 7		
		DIVIDED MIDDLE SEAT ASSEMBLY ----- ATTACHING PARTS -----	NP	A
- 1	0711122-1	EYEBOLT ----- -----*	2	
- 2	0711702-16 # 0711702-29 #	CUSHION ASSEMBLY-SEAT BACK ----- CUSHION ASSEMBLY-SEAT BACK ----- ATTACHING PARTS -----	2 2	B C
	AN520-10R16 SS58310	SCREW ----- NUT UC ----- -----*	2 2	
- 3	0711702-20 □	FRAME ASSEMBLY-SEAT BACK -----	2	
- 4	0711702-8 # 0711702-7 #	CUSHION ASSEMBLY-SEAT BOTTOM RH ----- CUSHION ASSEMBLY-SEAT BOTTOM LH ----- ATTACHING PARTS -----	1 1	
- 5	AN515-8R18 AN960-8L NAS679A08	SCREW ----- WASHER ----- NUT ----- -----*	2 2 2	
- 6	0711098-2	CLIP-SEAT CUSHION ----- ATTACHING PARTS -----	2	
	AN515-8R10 AN960-8L NAS679A08	SCREW ----- WASHER ----- NUT ----- -----*	2 2 2	
- 7	0711702-6 □ 0711702-5 □	FRAME ASSEMBLY-SEAT BOTTOM RH ----- FRAME ASSEMBLY-SEAT BOTTOM LH -----	1 1	
- 8	S1620D5 S1746D8 S1746W27 S2070W112	BELT ASSEMBLY-MIDDLE SEAT TAN ----- BELT ASSEMBLY-MIDDLE SEAT TAN ----- BELT ASSEMBLY-MIDDLE SEAT CLOVE BROWN ----- BELT ASSEMBLY-MIDDLE SEAT CLOVE BROWN -----	2 2 2 2	B D E F
- 9	AN4-7A AN4-6A	BOLT ----- BOLT -----	1 2	G F G E
-10	A960-416L	WASHER -----	2	E
-11	NAS43HT4-11	SPACER -----	2	E
-12	NAS679A4 NAS679A4	NUT ----- NUT -----	1 2	F G H
-13	0711083-1 0711083-1	LATCH ASSEMBLY-SEAT BELT ----- LATCH ASSEMBLY-SEAT BELT ----- ATTACHING PARTS -----	3 4	H G
-14	AN4-5A	BOLT -----	1	
-15	NAS679A4	NUT -----	1	
-16	AN4-6A	BOLT -----	1	
-17	S1074-1	WASHER -----	1	
-18	NAS697A4 NAS696A4	NUTPLATE ----- NUTPLATE ----- -----*	1 1	H G
<p>NOTE. #THIS PART NUMBER MUST HAVE A SECOND DASH NUMBER ADDED TO DENOTE COLOR. REFER TO HOW TO ORDER UPHOLSTERED PARTS-PAGE XII.</p> <p>NOTE. □THIS PART NUMBER MUST HAVE A SECOND DASH NUMBER ADDED TO DENOTE COLOR. REFER TO HOW TO ORDER INTERIOR PARTS-PAGE XIII.</p> <p>NOTE. *USED ON AIRCRAFT EQUIPPED WITH SHOULDER HARNESS. SEE FIGURE 70 FOR SHOULDER HARNESS.</p> <p>A---SERIAL 185-1150 & ON SERIAL 18051775 & ON</p> <p>B---SERIAL 185-1150 THRU 185-1300 SERIAL 18051775 THRU 18051875</p> <p>C---SERIAL 185-1301 & ON SERIAL 18051876 & ON</p> <p>D---SERIAL 185-1301 THRU 185-1599 SERIAL 18051876 THRU 18052103</p> <p>E---SERIAL 18501600 & ON SERIAL 18052104 & ON</p> <p>F---SERIAL 18501600 THRU 18501832 SERIAL 18052104 THRU 18052175</p> <p>G---SERIAL 18501833 & ON SERIAL 18052176 & ON</p> <p>H---SERIAL 185-1150 THRU 18501832 SERIAL 18051775 THRU 18052175</p>				

Seat (Cont)

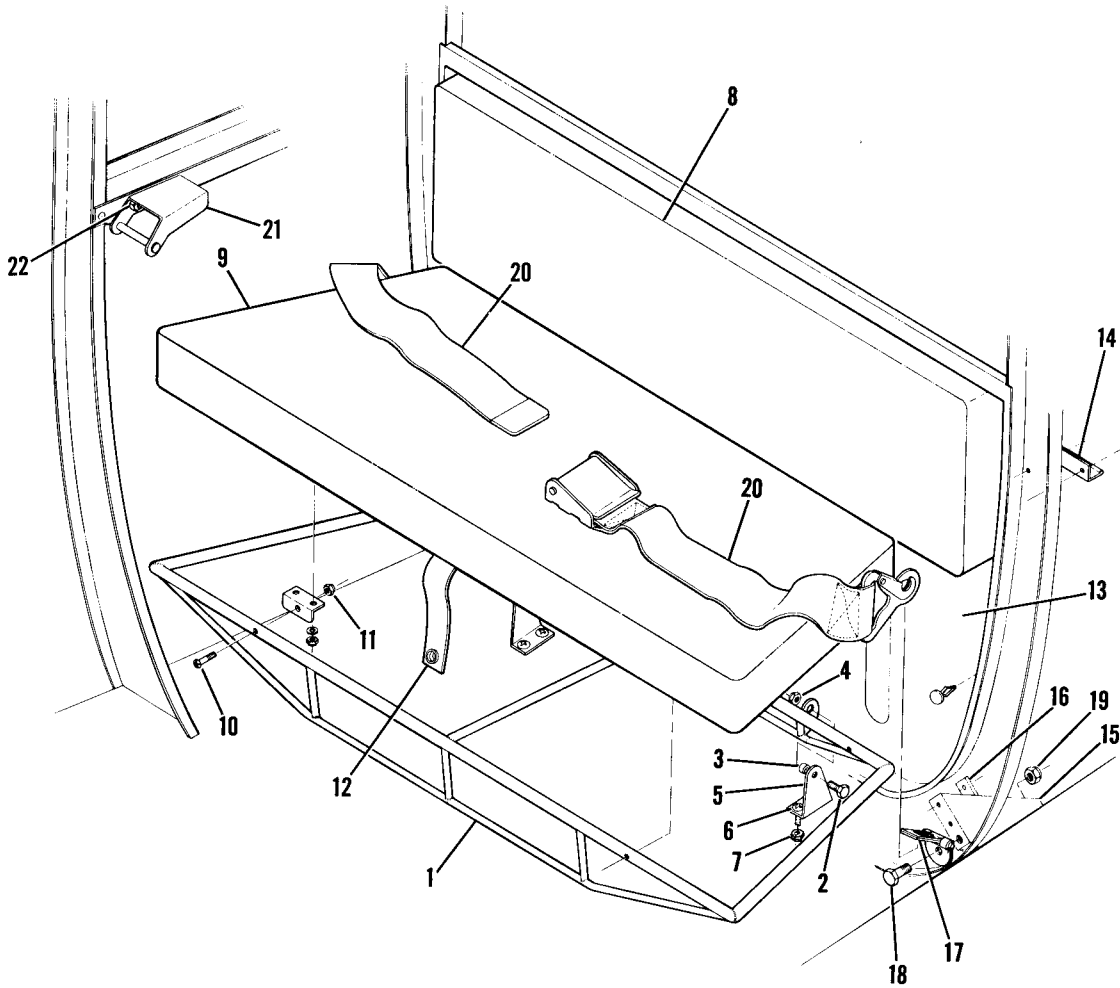


SERIAL 18501600 & ON
SERIAL 18052104 & ON

Figure 65B. Child Seat Installation

FIGURE AND INDEX NO.	PART NUMBER	DESCRIPTION	UNITS PER ASSY	USABLE ON CODE
		1 2 3 4 5 6 7		
65B-		CHILD SEAT INSTALLATION -----	NP	A
	0515002-2	SEAT ASSEMBLY-CHILD -----	1	
		ATTACHING PARTS -----		
- 1	0514042-1	BRACKET-SEAT MOUNTING -----	2	
- 2	AN515-8R8	SCREW -----	4	
- 3	AN4-13A	BOLT -----	2	
- 4	AN960-416	WASHER -----	4	
- 5	NAS679A4	NUT -----	2	
		*-----		
- 6	S1021Z8-8C	SCREW -----	2	
- 7	AN4-17A	BOLT -----	2	
- 8	AN960-416	WASHER -----	4	
- 9	NAS679A4	NUT -----	2	
-10	0515002-3	COVER ASSEMBLY-SEAT BACK -----	1	
-11	0515002-9	CUSHION-SEAT BACK -----	1	
-12	0515002-5	COVER ASSEMBLY-SEAT BOTTOM -----	1	
-13	0515002-10	CUSHION-SEAT BOTTOM -----	1	
-14	S1746W5	BELT ASSEMBLY-SAFETY -----	1	
-15	0712008-1	BRACKET-SEAT BELT -----	2	B
	0712008-2	BRACKET-SEAT BELT -----	2	C
-16	0712009-1	SPACER-SUPPORT -----	2	
-17	0711083-1	LATCH ASSEMBLY -----	2	
		ATTACHING PARTS -----		
-18	AN4-6A	BOLT -----	1	
-19	NAS679A4	NUT -----	1	
		*-----		
<p>NOTE. #THIS PART NUMBER MUST HAVE A SECOND DASH NUMBER ADDED TO DENOTE COLOR. REFER TO HOW TO ORDER UPHOLSTERED PARTS-PAGE XII.</p> <p>A---SERIAL 18501600 & ON SERIAL 18052104 & ON</p> <p>B---SERIAL 18501600 THRU 18501832 SERIAL 18052104 THRU 18052175</p> <p>C---SERIAL 18501833 & ON SERIAL 18052176 & ON</p>				

Auxiliary Seat

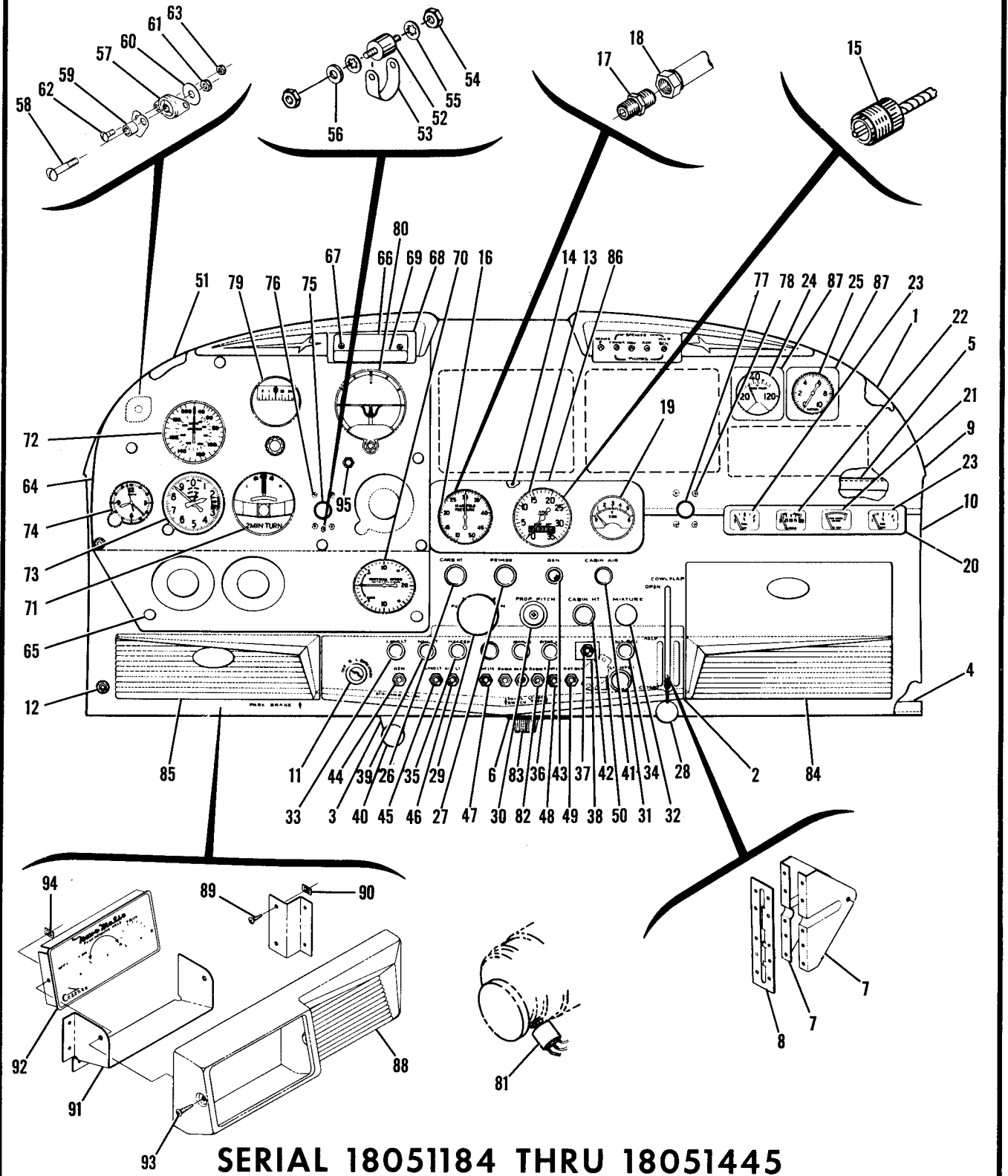


SERIAL 18051184 THRU 18051312

Figure 66. Auxiliary Seat Installation

FIGURE AND INDEX NO.	PART NUMBER	DESCRIPTION	UNITS PER ASSY	USABLE ON CODE
66 -		SEAT INSTALLATION-AUXILIARY -----	NP	A
- 1	0711097-2	FRAME ASSEMBLY ----- ATTACHING PARTS	1	
- 2	AN3-4A	BOLT -----	2	
- 3	NAS43HT3-6	SPACER -----	2	
- 4	NAS679A4	NUT ----- -----*	2	
- 5	0711098-3	HINGE-FLOOR FITTING LH -----	1	
	0711098-4	HINGE-FLOOR FITTING RH ----- ATTACHING PARTS	1	
- 6	AN515-8R8	SCREW -----	2	
- 7	NAS679A08	NUT ----- -----*	2	
- 8	0711080-1	BACKREST ASSEMBLY -----	1	
	AN227-7	SOCKET -----	5	
	AN227-6	BUTTON -----	5	
- 9	0711097-4	CUSHION ASSEMBLY ----- ATTACHING PARTS	1	
-10	AN515-8R14	SCREW -----	4	
-11	NAS679A08	NUT ----- -----*	4	
-12	0711097-21	STRAP ASSEMBLY -----	1	
-13	0711079-1	TRAY ASSEMBLY ----- ATTACHING PARTS	1	
	49265F938	STUD UC ----- -----*	4	
-14	0710011-1	ANGLE -----	1	
-15	0712008-1	BRACKET -----	2	
-16	0712009-1	SPACER -----	2	
-17	0711083-1	LATCH ASSEMBLY ----- ATTACHING PARTS	2	
-18	AN4-6A	BOLT -----	1	
-19	NAS679A4	NUT ----- -----*	1	
-20	S1243-6	BELT ASSEMBLY-SAFETY -----	1	
-21	0511286	LATCH ASSEMBLY-REAR SEAT BACK ----- ATTACHING PARTS	1	
-22	AN3-3A	BOLT ----- -----*	2	
A---SERIAL 18051184 THRU 18051312				

Instruments (Cont)



SERIAL 18051184 THRU 18051445

Figure 67. Instrument Panel Equipment Installation and Assembly

FIGURE AND INDEX NO.	PART NUMBER	DESCRIPTION	UNITS PER ASSY	USABLE ON CODE
		1 2 3 4 5 6 7		
67 -		EQUIPMENT INSTALLATION & ASSEMBLY-INSTRUMENT PANEL -----	NP	A
- 1	0713185-1 *	PANEL ASSEMBLY-STATIONARY -----	1	
- 2	0713126-1	PAN -----	1	
- 3	0756001-13	SUPPORT-STRAINER DRAIN CONTROL -----	1	
- 4	0713501-4	STIFFENER -----	1	
- 5	0713501-5	STIFFENER -----	1	
- 6	0413131-3	BRACKET-RHEOSTAT -----	1	
- 7	0713127-1	BRACKET-FLAP CONTROL -----	2	
- 8	1213035-4	PLATE ASSEMBLY -----	1	
- 9	0713187-3-418	COVER-STATIONARY PANEL UPPER -----	1	
-10	0713518-18-418	COVER-STATIONARY PANEL LOWER -----	1	
		ATTACHING PARTS -----		
	S102174-6B	SCREW -----	5	
		---*---		
-11	S1255-3 *	SWITCH, STARTER & LOCK KIT -----	1	
-12	S1102-1	JACK-MICROPHONE -----	1	
-13	S1305N3	TACHOMETER WHEN EXHAUSTED USE S-1305N8 -----	1	
	S1305N8	TACHOMETER -----	1	
		ATTACHING PARTS -----		
-14	AN5078632R12	SCREW -----	4	
	MS20365B632C	NUT -----	4	
		---*---		
-15	S1605-3	SHAFT-TACHOMETER -----	1	
		ATTACHING PARTS -----		
	2981A4-27	CLAMP TIN -----	1	
	S102128-6	SCREW -----	1	
		---*---		
-16	S1301N1	GAGE-MANIFOLD PRESSURE -----	1	
		ATTACHING PARTS -----		
	AN5078632R12	SCREW -----	4	
	MS20365B632C	NUT -----	4	
		---*---		
-17	AN816-2D	NIPPLE -----	1	
-18	0500106-273	LINE ASSEMBLY-MANIFOLD PRESSURE WHEN EXHAUSTED USE 0500118-96 -----	1	
	0500118-96	LINE ASSEMBLY-MANIFOLD PRESSURE -----	1	
-19	S1307N2	GAGE-CYLINDER HEAD TEMPERATURE -----	1	
		ATTACHING PARTS -----		
	AN5078632R12	SCREW -----	4	
	MS20365B632C	NUT -----	4	
		---*---		
-20	0311018-10	LEAD-CYLINDER HEAD TEMPERATURE GAGE -----	1	
	0513144-16	PANEL ASSEMBLY -----	1	
		ATTACHING PARTS -----		
	AN5078632R12	SCREW -----	2	
	AN936A6B	WASHER -----	2	
	AN34086	NUT -----	2	
		---*---		
-21	0513144-2	GAGE-OIL TEMPERATURE -----	1	
-22	0513144-10	GAGE-OIL PRESSURE -----	1	
-23	0513144-14	GAGE-FUEL -----	2	
	0716128-30	GAGE-AUXILIARY FUEL -----	1	
-24	S1311N1	GAGE-CARBURETOR AIR TEMPERATURE -----	1	
		ATTACHING PARTS -----		
	0713208-1	ESCUTCHEON -----	1	
	AN5078632R12	SCREW -----	4	
		---*---		
-25	0713209-1	PLACARD-CARBURETOR AIR TEMPERATURE GAGE -----	1	
	S1414N1	GAGE-SUCTION -----	1	
		ATTACHING PARTS -----		
	AN5078632R12	SCREW -----	4	
	MS20365B632C	NUT -----	4	
		---*---		
-26	S1230-2	CONTROL-CARBURETOR HEAT -----	1	
-27	0311538-12	PRIMER ASSEMBLY WHEN EXHAUSTED USE C291502-0101 -----	1	
	S1240-5	KNOB -----	1	
-28		CONTROL SYSTEM INSTALLATION-COWL FLAPS SEE FIGURE 87 -----	1	
-29	S1222-1	CONTROL-THROTTLE -----	1	
	0713192-2	REDUCER-THROTTLE CONTROL -----	1	
-30	S1223-4	CONTROL-PROPELLER PITCH -----	1	C
-31	0513039-7	LIGHTER-CIGAR CUNO -----	1	
	L4858-1 **	HEATING ELEMENT CUNO -----	1	
	S1240-6 **	KNOB-CIGAR LIGHTER -----	1	

CONTINUED ON NEXT PAGE

FIGURE AND INDEX NO.	PART NUMBER	DESCRIPTION	1 2 3 4 5 6 7							UNITS PER ASSY	USABLE ON CODE
67 -32	S1234-1	CONTROL-MIXTURE -----								1	
	0713192-1	REDUCER-MIXTURE CONTROL -----								1	
-33	0713303-5	SWITCH-LANDING LIGHT -----								1	C
	0713303-2	KNOB -----								1	
-34	0713026-9	SWITCH-ROTATING BEACON -----								1	
	0713303-2	KNOB-ROTATING BEACON SWITCH -----								1	
-35	0713026-5	SWITCH-MASTER -----								1	
	0713303-2	KNOB-MASTER SWITCH -----								1	
	0716128-28	SWITCH-AUXILIARY FUEL -----								1	
-36	0713026-4	SWITCH-PITOT HEAT -----								1	
	0713303-2	KNOB-PITOT HEAT SWITCH -----								1	
-37	C511063	SWITCH-OIL DILUTION -----								1	
	0511063-2	NUT -----								1	B
-38	0713222-1	PLACARD-OIL DILUTION -----								1	B
-39	0713026-4	SWITCH-NAVIGATION LIGHTS SINGLE POLE -----								1	
	0713026-9	SWITCH-NAVIGATION LIGHTS DOUBLE POLE -----								1	
	0713171-1	SHIELD-NAVIGATION LIGHT SWITCH -----								1	
	0713303-2	KNOB-NAVIGATION LIGHT SWITCH -----								1	
-40	S1239-4	CONTROL-STRAINER DRAIN REF S1239-12 -----								1	
	S1239-13	CONTROL-STRAINER DRAIN FLOATPLANE CP -----								1	
-41	S1239-6	CONTROL-CABIN AIR -----								1	
-42	S1241-7	CONTROL-CABIN HEAT -----								1	
-43	0513051-8	LIGHT ASSEMBLY-CHARGE INDICATOR -----								1	
	S1876-1	BULB -----								1	
	S1320-1	AMMETER -----								1	
		ATTACHING PARTS									
	0700036-2	ADAPTER -----								1	
	AN515-6R6	SCREW -----								4	
	NAS679A06	NUT -----								4	
		---*---									
-44	S1360-50	CIRCUIT BREAKER SPT -----								1	
-45	S1360-20	CIRCUIT BREAKER SPT -----								1	
-46	S1360-10	CIRCUIT BREAKER SPT -----								1	
-47	S1360-10	CIRCUIT BREAKER SPT -----								1	
-48	S1360-10	CIRCUIT BREAKER SPT -----								1	
-49	S1360-10	CIRCUIT BREAKER SPT -----								1	
-50	CA2	CIRCUIT BREAKER SPT -----								1	
	PA2	CIRCUIT BREAKER SPT ALT -----								1	
		ATTACHING PARTS									
	AN507-832R12	SCREW -----								2	
	AN936A8	WASHER -----								2	
	AN340-8	NUT -----								2	
		---*---									
-51	0713504-3	PANEL-SHOCK MOUNTED INSTRUMENT -----								1	
		ATTACHING PARTS									
-52	0411059-1	MOUNT-SHOCK -----								3	
-53	0413247	STRAP-GROUND -----								1	
-54	AN340B8	NUT -----								6	
-55	AN936A8	WASHER -----								6	
-56	S355	SPACER -----								3	
-57	102PDLN4	MOUNT-SHOCK LO -----								2	
-58	AN507B832R12	SCREW -----								2	
-59	NAS43DD3-14	SPACER -----								2	
-60	J2049-1D	WASHER LO -----								2	
-61	MS20365B832C	NUT -----								2	
-62	AN515B6R6	SCREW -----								4	
-63	MS20365B632C	NUT -----								4	
		---*---									
-64	0713522-1-418	COVER-SHOCK PANEL -----								1	
		ATTACHING PARTS									
-65	49265K2215	FASTENER UC -----								4	
		---*---									
-66	0713028-8	CARD-CORRECTION -----								1	
	0713028-3	COVER-CORRECTION CARD -----								1	
		RETAINER ASSEMBLY-CORRECTION CARD -----								NP	
		ATTACHING PARTS									
-67	S1022Z4-12B	SCREW -----								2	
	NAS43DD1-18	SPACER -----								2	
		---*---									

CONTINUED ON NEXT PAGE



FIGURE AND INDEX NO.	PART NUMBER	DESCRIPTION	UNITS PER ASSY	USABLE ON CODE	
					1 2 3 4 5 6 7
67 -68 -69 -70	0813569-2	RETAINER-CORRECTION CARD -----	1		
		PLATE-REGISTRATION NUMBER -----	NP		
	S1304N2	INDICATOR-VERTICAL SPEED -----	1		
	S1392N1	INDICATOR-VERTICAL SPEED ALT -----	1		
	CM2647N1	INDICATOR-VERTICAL SPEED 10 METER PER MIN. -----	1		
	S1385N1	INDICATOR-VERTICAL SPEED ALT 10 METERS PER. MIN. -----	1		
		ATTACHING PARTS			
	AN515B6R12	SCREW -----	4		
	AN340B6	NUT -----	4		
	AN936B6B	WASHER -----	4		
	-----*				
-71	MS20825-4D	ELBOW -----	1		
	S1302N1	INDICATOR-TURN & BANK -----	1		
		ATTACHING PARTS			
	AN515B6R12	SCREW -----	4		
	AN340B6	NUT -----	4		
	AN936B6B	WASHER -----	4		
		-----*			
	-72	S1324N3	INDICATOR-AIRSPEED -----	1	D
		S1470N3	INDICATOR-AIRSPEED ALTERNATE -----	1	D
		S1324N6	INDICATOR-AIRSPEED -----	1	C
S1470N6		INDICATOR-AIRSPEED ALTERNATE -----	1	C	
S1387N3		INDICATOR-AIRSPEED KILOMETERS PER HOUR & MPH -----	1		
S1324N2		INDICATOR-AIRSPEED-AMPHIBIAN -----	1	D	
S1470N2		INDICATOR-AIRSPEED-AMPHIBIAN -----	1	C	
S1387N2		INDICATOR-AIRSPEED-AMPHIBIAN KILOMETERS PER HOUR & MPH -----	1		
		ATTACHING PARTS			
AN515B6R12		SCREW -----	4		
MS20365B632C	NUT -----	4			
	-----*				
-73	S1314N1	ALTIMETER-20,000 FT FOR VFR APPLICATIONS ONLY -----	1		
		WHEN EXHAUSTED USE C661011-0105			
	S1313N1	ALTIMETER-35,000 FT SENSITIVE FOR VFR APPLICATIONS --	1		
		ONLY WHEN EXHAUSTED USE C661011-0105			
	C661011-0105	ALTIMETER-20,000 FT SENSITIVE -----	1		
	S1432N1	ALTIMETER-35,000 FT FEET/MILLIBARS FOR VFR -----	1		
		APPLICATIONS ONLY WHEN EXHAUSTED USE C661011-0106			
	C661011-0106	ALTIMETER-20,000 FT FEET/MILLIBARS -----	1		
	S1384N1	ALTIMETER-METERS/MILLIBARS FOR VFR APPLICATIONS ONLY -----	1		
		ATTACHING PARTS			
AN515B6R12	SCREW -----	4			
	-----*				
-74	CM2629N1	CLOCK 8 DAY -----	1		
	S1317N1	CLOCK ELECTRIC -----	1		
		ATTACHING PARTS			
	AN515B6R12	SCREW -----	4		
	MS20365B632C	NUT -----	4		
		-----*			
	-75	0513146-11	COLLAR-CONTROL TUBE LH -----	1	
		0411224	BALL-CONTROL TUBE LH -----	1	
		0713099-1	SOCKET-CONTROL TUBE LH -----	1	
		ATTACHING PARTS			
-76	AN515-6R8	SCREW -----	4		
	NAS679A06	NUT -----	4		
	AN960-6L	WASHER -----	AR		
	-----*				
-77	0713099-1	SOCKET-CONTROL TUBE RH -----	1		
	0411224	BALL-CONTROL TUBE RH -----	1		
		ATTACHING PARTS			
-78	AN5156R8	SCREW -----	4		
	NAS679A06	NUT -----	4		
	AN960-6L	WASHER -----	AR		
		-----*			

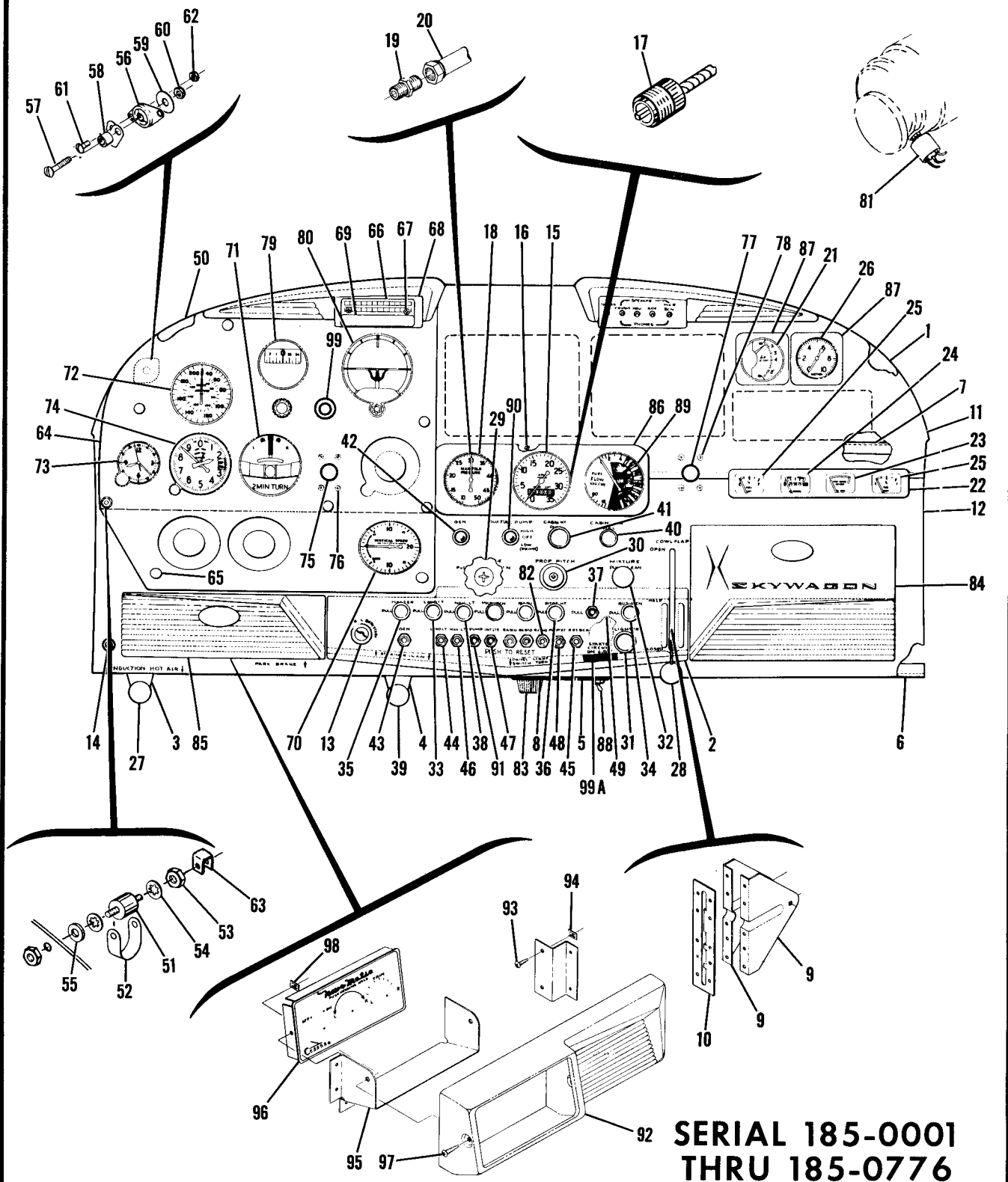
CONTINUED ON NEXT PAGE

FIGURE AND INDEX NO.	PART NUMBER	DESCRIPTION	UNITS PER ASSY	USABLE ON CODE	
					1 2 3 4 5 6 7
67 -79	S1316N1	GYRO-DIRECTIONAL-REBUILT WHEN EXHAUSTED ----- USE C661002-0101	1		
	C661002-0101	GYRO-DIRECTIONAL-REMANUFACTURED WHEN EXHAUSTED ----- ORDER AK172-116 KIT	1		
	0311056-5	GYRO-DIRECTIONAL-NEW WHEN EXHAUSTED ORDER AK172-116 KIT --	1		
	S1327N1	INDICATOR-DIRECTIONAL GYRO-AZIMUTH-PICTORIAL-TYPE 34B ----- WITH VACUUM WARNING LIGHTS WHEN EXHAUSTED ORDER AK172-116 KIT	1		
	AN515B10R14	ATTACHING PARTS			
	MS20365B632C	SCREW ----- NUT -----	4 4		
		---*---			
	-80	S1309N1	GYRO-HORIZONTAL-REBUILT WHEN EXHAUSTED ----- USE C661001-0101	1	
		C661001-0101	GYRO-HORIZONTAL-REMANUFACTURED WHEN EXHAUSTED ----- ORDER AK172-116 KIT	1	
		0311058-4	GYRO-HORIZONTAL-NEW WHEN EXHAUSTED ORDER AK172-116 KIT --	1	
S1326N1		INDICATOR-GYRO HORIZON-PICTORIAL-TYPE 34B ----- WITH VACUUM WARNING LIGHTS WHEN EXHAUSTED ORDER AK172-116 KIT	1		
AN515B10R16		ATTACHING PARTS			
AN520B10R14		SCREW ----- SCREW ----- NUT -----	4 4 4		
MS20365B632C		---*---			
330R		BULB -----	2		
-81		S1365-1	SWITCH -----	1	
-82		49265	STUD-TRI MOUNT UC -----	AR	
	S290D832	WASHER -----	AR		
-83	0413126-7	RHEOSTAT ASSEMBLY -----	1		
-84		GLOVE BOX INSTALLATION SEE FIGURE 69 -----	1		
-85		MAP CASE INSTALLATION SEE FIGUR 69 -----	1		
-86	0713189-1	ESCUTCHEON -----	1		
-87	0713208-1	ESCUTCHEON -----	2		
-88	0770056-1	COVER ASSEMBLY ----- ATTACHING PARTS	1		
-89	S1021Z6-6	SCREW -----	2		
-90	NAS446-2-3	NUT ----- ---*---	2		
-91	0770057-1	BRACKET -----	1		
-92	0713721-1	FACEPLATE & BRACKET ASSEMBLY ----- ATTACHING PARTS	1		
-93	S1021Z4-6	SCREW -----	2		
-94	NAS446-1-3	NUT ----- ---*---	2		
-95	S1284-1	SWITCH-PUSH BUTTON VACUUM PRESS TO TEST -----	1		
<p>NOTE. *THIS KIT ALSO INCLUDES 2 DOOR LOCKS & KEYS.</p> <p>NOTE. **CASCO PARTS ARE NO LONGER AVAILABLE. FOR REPLACEMENT ORDER COMPLETE CUNO ASSEMBLY, 0513039-7 & RESPECTIVE KNOB.</p> <p>NOTE. #WHEN ORDERING THIS PART FOR AIRCRAFT SERIALS 18051184 THRU 18051312 ALSO ORDER 0411897-1.</p> <p>A---SERIAL 18051184 THRU 18051445 B---SERIAL 18051184 THRU 18051237 C---SERIAL 18051313 THRU 18051445 D---SERIAL 18051184 THRU 18051312</p>					

FIGURE AND INDEX NO.	PART NUMBER	DESCRIPTION	UNITS PER ASSY	USABLE ON CODE
		1 2 3 4 5 6 7		
68 -		EQUIPMENT INSTALLATION & ASSEMBLY-INSTRUMENT PANEL -----	1	A
- 1	0713185-1	PANEL ASSEMBLY-STATIONARY -----	1	
	0713125-8	PANEL ASSEMBLY-STATIONARY -----	1	B
- 2	0713126-1	PAN -----	1	
- 3	0756001-4	BRACKET-INDUCTION HOT AIR -----	1	
- 4	0756001-13	BRACKET-STRAINER DRAIN CONTROL -----	1	
- 5	0713159-1	BRACKET-STARTER SWITCH CUTOUT -----	1	B
		ATTACHING PARTS		
	S102126-8	SCREW -----	2	B
	NAS446-2-3	NUT -----	2	B
		-----*		
- 6	0713501-4	STIFFENER -----	1	
- 7	0713501-5	STIFFENER -----	1	
- 8	0413131-3	BRACKET-RHEDSTAT -----	1	
- 9	0713127-1	BRACKET-FLAP CONTROL -----	2	
-10	1213035-4	PLATE ASSEMBLY-FLAP CONTROL -----	1	
-11	0713518-10	COVER-STATIONARY PANEL UPPER -----	1	B
	0713188-3	COVER-STATIONARY PANEL UPPER -----	1	C
-12	0713518-8-279	COVER-STATIONARY PANEL LOWER -----	1	B
	0713518-12-279	COVER-STATIONARY PANEL LOWER -----	1	D
	0713518-20-418	COVER-STATIONARY PANEL LOWER -----	1	K
	0713188-1-418	COVER-STATIONARY PANEL LOWER -----	1	J
		ATTACHING PARTS		
	S102124-68	SCREW -----	5	
		-----*		
-13	0713129-4	KIT-IGNITION SWITCH WHEN EXHAUSTED USE C292501-0102 -----	1	F
	C292501-0102	KIT-IGNITION SWITCH -----	1	F
	S1255-3	KIT-IGNITION SWITCH WHEN EXHAUSTED USE S1255-6 -----	1	D
	S1255-6	KIT-IGNITION SWITCH -----	1	D
-14	S1102-1	JACK-MICROPHONE -----	1	
	CM2692-12-3S	PLUG BUTTON UC USED WHEN PHONE JACK NOT INSTALLED -----	1	
-15	0511035-5	TACHOMETER WHEN EXHAUSTED USE S-1305N9 -----	1	G
	S1305N9	TACHOMETER -----	1	E
		ATTACHING PARTS		
-16	AN507B632R12	SCREW -----	4	
	MS20365B632C	NUT -----	4	
		-----*		
-17	S1605-3	SHAFT-TACHOMETER -----	1	
		ATTACHING PARTS		
	S1485D4U	CLAMP TIN -----	1	G
	NAS434F4	CLAMP -----	1	E
	S102128-6	SCREW -----	1	
		-----*		
-18	0311029-6	GAGE-MANIFOLD PRESSURE WHEN EXHAUSTED USE S-1301N2 -----	1	
	S1301N2	GAGE-MANIFOLD PRESSURE -----	1	
		ATTACHING PARTS		
	AN507B632R12	SCREW -----	4	
	MS20365B632C	NUT -----	4	
		-----*		
-19	AN816-2D	NIPPLE -----	1	
-20	0500106-273	LINE ASSEMBLY-MANIFOLD PRESSURE WHEN EXHAUSTED USE 0500118-96 -----	1	
	0500118-96	LINE ASSEMBLY-MANIFOLD PRESSURE -----	1	
-21	0813601-9	GAGE-CYLINDER HEAD TEMP WHEN EXHAUSTED USE S-1310N1 -----	1	
	S1310N1	GAGE-CYLINDER HEAD TEMP -----	1	
		ATTACHING PARTS		
	AN507B632R12	SCREW -----	4	
	MS20365B632C	NUT -----	4	
		-----*		
-22	0311018-10	LEAD-CYLINDER HEAD TEMPERATURE GAGE -----	1	
	0513144-16	PANEL ASSEMBLY -----	1	
		ATTACHING PARTS		
	AN507B632R12	SCREW -----	2	
	AN936A6B	WASHER -----	2	
	AN340B6	NUT -----	2	
		-----*		
-23	0513144-2	GAGE-OIL TEMPERATURE -----	1	
-24	0513144-10	GAGE-OIL PRESSURE -----	1	
-25	0513144-14	GAGE-FUEL -----	2	
-26	0311057-1	GAGE-SUCTION WHEN EXHAUSTED USE S1414N1 -----	1	
	S1414N1	GAGE-SUCTION -----	1	
		ATTACHING PARTS		
	AN507B632R12	SCREW -----	4	
	MS20365B632C	NUT -----	4	
		-----*		

CONTINUED ON NEXT PAGE

Instruments



**SERIAL 185-0001
THRU 185-0776**

Figure 68. Instrument Panel Equipment Installation & Assembly



FIGURE AND INDEX NO.	PART NUMBER	DESCRIPTION							UNITS PER ASSY	USABLE ON CODE
		1	2	3	4	5	6	7		
68 -27	S1230-2	CONTROL-INDUCTION AIR -----							1	
		ATTACHING PARTS -----								
	S1485D4U	CLAMP -----							1	
	AN742D3	CLAMP -----							1	
	S1021Z8-8	SCREW -----							1	
		-----*								
-28		CONTROL SYSTEM INSTALLATION-COWL FLAPS SEE FIGURE 87 -----							NP	
-29	1213228-3	CONTROL-THROTTLE -----							1	B
	S1294-1	CONTROL-THROTTLE -----							1	C
-30	S1223-5	CONTROL-PROPELLER PITCH -----							1	
-31	0513039-7	**	LIGHTER ASSEMBLY					CUNO	1	
	L4858-1	**	HEATING ELEMENT					CUNO	1	
	S1240-6	KNOB-CIGAR LIGHTER -----							1	
-32	1213229-2	CONTROL-MIXTURE -----							1	B
	S1220-4	CONTROL-MIXTURE -----							1	C
-33	0713035	SWITCH-LANDING LIGHT -----							1	
	0713303-2	KNOB-LANDING LIGHT SWITCH -----							1	
-34	0713026-4	SWITCH-ROTATING BEACON -----							1	
	0713303-2	KNOB-ROTATING BEACON SWITCH -----							1	
-35	0713026-5	SWITCH-MASTER -----							1	
	0713303-2	KNOB-MASTER SWITCH -----							1	
-36	0713026-4	SWITCH-PITOT HEAT -----							1	
	0713303-2	KNOB-PITOT HEAT SWITCH -----							1	
-37	0511063	SWITCH-OIL DILUTION -----							1	
-38	0713026-4	SWITCH-NAVIGATION LIGHTS					SINGLE POLE	1		
	0713026-9	SWITCH-NAVIGATION LIGHTS					DOUBLE POLE	1		
	0713303-2	KNOB-NAVIGATION LIGHT SWITCH -----							1	
-39	S1239-4	CONTROL-STRAINER DRAIN					REF S1239-12	1		
	S1239-13	CONTROL-STRAINER DRAIN					FLOATPLANE CP	1		
-40	S1239-6	CONTROL-CABIN AIR -----							1	
-41	S1241-7	CONTROL-CABIN HEAT					REF 0713141-5	1		
-42	0513051-8	LIGHT ASSEMBLY-CHARGE INDICATOR -----							1	
	S1876-1	BULB -----							1	
	0713038	AMMETER WHEN EXHAUSTED USE S-1320-1 -----							1	
	S1320-1	AMMETER -----							1	
		ATTACHING PARTS -----								
	0700036-2	ADAPTER -----							1	
	AN515-6R6	SCREW -----							4	
	NAS679A06	NUT -----							4	
		-----*								
-43	S1360-50	CIRCUIT BREAKER					SPT	1		
-44	S1360-20	CIRCUIT BREAKER					SPT	1		
-45	S1360-15	CIRCUIT BREAKER					SPT	1		
-46	S1360-10	CIRCUIT BREAKER					SPT	1		
-47	S1360-10	CIRCUIT BREAKER					SPT	1		
-48	S1360-10	CIRCUIT BREAKER					SPT	1		
-49	CA2	CIRCUIT BREAKER					SPT	1		
	PA2	CIRCUIT BREAKER					SPT ALT	1		
		ATTACHING PARTS -----								
	AN507-832R12	SCREW -----							2	
		-----*								
-50	0713504-2	PANEL-SHOCK MOUNTED INSTRUMENT -----							1	G
	0713504-3	PANEL-SHOCK MOUNTED INSTRUMENT -----							1	E
		ATTACHING PARTS -----								
-51	0411059-1	MOUNT-SHOCK -----							3	
-52	0413247	STRAP-GROUND -----							1	
-53	AN34088	NUT -----							6	
-54	AN936C8	WASHER -----							6	
-55	S355	SPACER -----							3	
-56	102POLN4	MOUNT-SHOCK					LO	2		
-57	AN5078832R12	SCREW -----							2	
-58	NAS43DD3-14	SPACER -----							2	
-59	J2049-1D	WASHER					LO	2		
-60	MS20365B832C	NUT -----							2	
-61	AN515B6R6	SCREW -----							4	
-62	MS20365B632C	NUT -----							4	
		-----*								
-63	0713308-1	BRACKET -----							1	
-64	0713522-1-279	COVER-SHOCK PANEL -----							1	G
	0713522-1-418	COVER-SHOCK PANEL -----							1	E
		ATTACHING PARTS -----								
-65	49265K2215	FASTENER					UC	5		
		-----*								

CONTINUED ON NEXT PAGE

FIGURE AND INDEX NO.	PART NUMBER	DESCRIPTION	UNITS PER ASSY	USABLE ON CODE
68 -66	0713028-8	CARD-CORRECTION -----	1	
	0713028-3	COVER-CORRECTION CARD -----	1	
-67	S1022Z4-12B NAS43DD1-18	RETAINER ASSEMBLY-CORRECTION CARD -----	NP	
		ATTACHING PARTS -----		
-68	0813569-2	SCREW -----	2	
		SPACER -----	2	
-69		-----*		
-70	0411069-1	RETAINER-CORRECTION CARD -----	1	
		PLATE-REGISTRATION NUMBER -----	NP	
-70	S1304N2	INDICATOR-VERTICAL SPEED WHEN EXHAUSTED USE S-1304N2 ---	1	B
		INDICATOR-VERTICAL SPEED -----	1	C
-70	S1392N1	INDICATOR-VERTICAL SPEED ALT -----	1	
		INDICATOR-VERTICAL SPEED-ALT WHEN EXHAUSTED USE S-1304N1-	1	B
-70	0411069-3	INDICATOR-VERTICAL SPEED -----	1	C
		INDICATOR-VERTICAL SPEED 10 METERS PER MIN. -----	1	
-70	S1304N1	INDICATOR-VERTICAL SPEED ALT 10 METERS PER MIN. -----	1	
		ATTACHING PARTS -----		
-70	CM2647N1	SCREW -----	4	
		NUT -----	4	
-70	S1385N1	-----*		
		TEE -----	1	
-71	MS20825-4D	INDICATOR-TURN & BANK WHEN EXHAUSTED USE S-1302N1 -----	1	
		INDICATOR-TURN & BANK -----	1	
-71	0411009-6	ATTACHING PARTS -----		
		SCREW -----	4	
-71	S1302N1	NUT -----	4	
		-----*		
-72	AN515B6R12	INDICATOR-AIRSPD WHEN EXHAUSTED USE S-1321N2 -----	1	B
		INDICATOR-AIRSPD -----	1	C
-72	MS203658632C	INDICATOR-AIRSPD ALT -----	1	
		INDICATOR-AIRSPD KILOMETERS PER HOUR & MPH -----	1	
-72	S1321N2	ATTACHING PARTS -----		
		SCREW -----	4	
-72	S1471N2	NUT -----	4	
		-----*		
-72	S1388N2	CLOCK-8 DAY -----	1	
		CLOCK-ELECTRIC WHEN EXHAUSTED USE S-1317N1 -----	1	
-73	CM2629N1	CLOCK-ELECTRIC -----	1	
		ATTACHING PARTS -----		
-73	0713131-1	SCREW -----	4	
		NUT -----	4	
-73	S1317N1	-----*		
		ALTIMETER-20,000 FT FOR VFR APPLICATIONS ONLY -----	1	B
-74	0411007-7	WHEN EXHAUSTED USE C661011-0105 -----		
		ALTIMETER-20,000 FT FOR VFR APPLICATIONS ONLY -----	1	C
-74	S1314N1	WHEN EXHAUSTED USE C661011-0105 -----		
		ALTIMETER-SENSITIVE FOR VFR APPLICATIONS ONLY -----	1	B
-74	0411007-8	WHEN EXHAUSTED USE C661011-0105 -----		
		ALTIMETER-35,000 FT SENSITIVE FOR VFR APPLICATIONS ---	1	C
-74	S1313N1	ONLY WHEN EXHAUSTED USE C661011-0105 -----		
		ALTIMETER-20,000 FT SENSITIVE -----	1	
-74	C661011-0105	ALTIMETER-35,000 FT FEET/MILLIBARS FOR VFR -----	1	C
		APPLICATIONS ONLY WHEN EXHAUSTED USE C661011-0106 -----		
-74	S1432N1	ALTIMETER-20,000 FT FEET/MILLIBARS -----	1	
		ALTIMETER-20,000 FT FEET/MILLIBARS -----	1	
-74	C661011-0106	ALTIMETER-METERS/MILLIBARS FOR VFR APPLICATIONS ONLY -----	1	
		ATTACHING PARTS -----		
-74	S1384N1	SCREW -----	4	
		NUT -----	4	
-74	AN515B6R12	-----*		
		COLLAR-CONTROL TUBE LH -----	1	
-75	0513146-11	BALL-CONTROL TUBE LH -----	1	
		SOCKET-CONTROL TUBE LH -----	1	
-75	0411224	ATTACHING PARTS -----		
		SCREW -----	4	
-75	0713099-1	NUT -----	4	
		WASHER -----	AR	
-76	AN515-6R8	-----*		
		SOCKET-CONTROL TUBE RH -----	1	
-76	NAS679A06	BALL-CONTROL TUBE RH -----	1	
		ATTACHING PARTS -----		
-76	AN960-6L	SCREW -----	4	
		NUT -----	4	
-77	0713099-1	-----*		
		SOCKET-CONTROL TUBE RH -----	1	
-77	0411224	BALL-CONTROL TUBE RH -----	1	
		ATTACHING PARTS -----		
-78	AN515-6R8	SCREW -----	4	
		NUT -----	4	
-78	NAS679A06	WASHER -----	AR	
		-----*		

CONTINUED ON NEXT PAGE



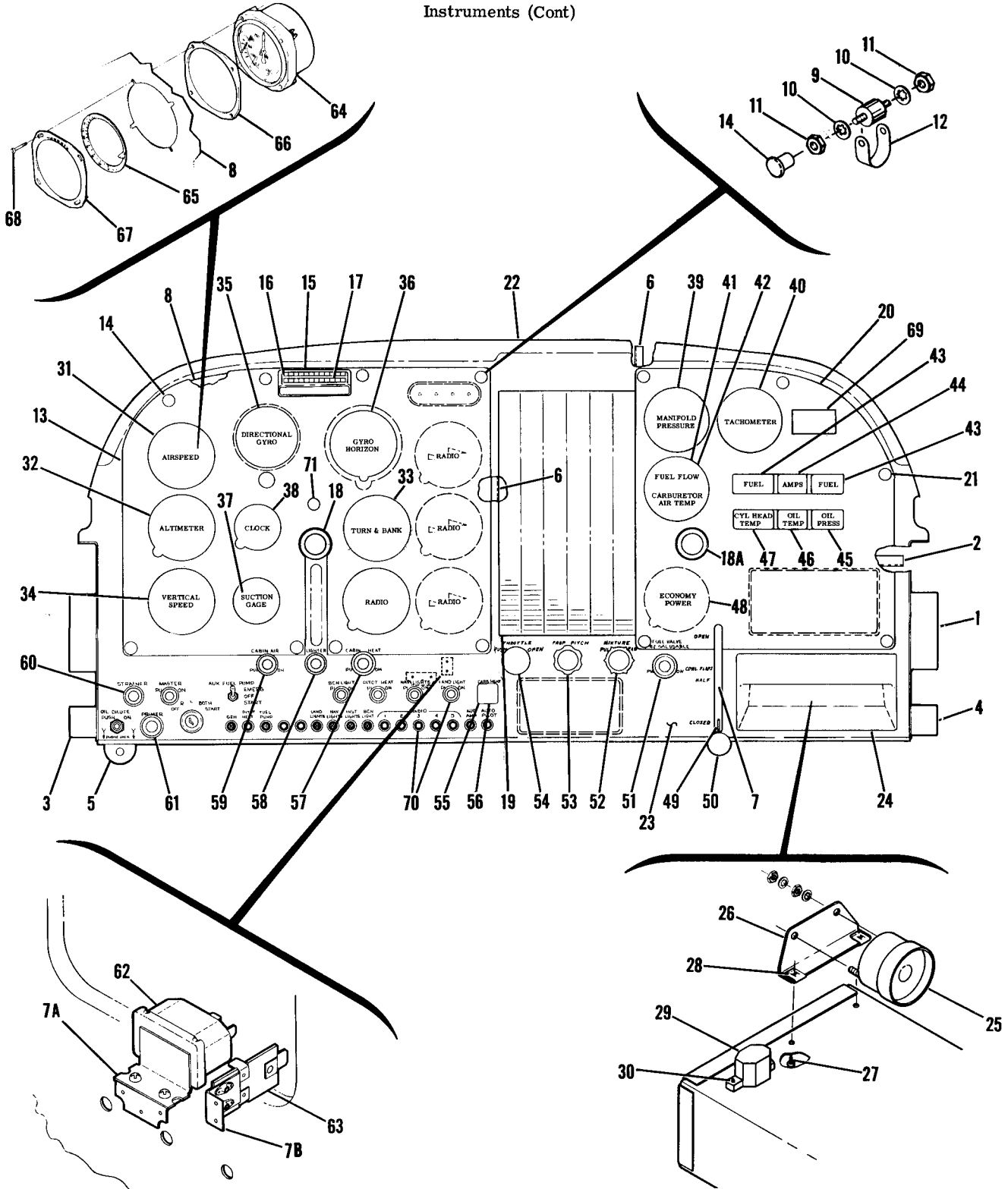
FIGURE AND INDEX NO.	PART NUMBER	DESCRIPTION	UNITS PER ASSY	USABLE ON CODE
68 -79	0311056-4	GYRO-DIRECTIONAL-REBUILT WHEN EXHAUSTED USE S-1316N1 ----	1	
	S1316N1	GYRO-DIRECTIONAL-REBUILT WHEN EXHAUSTED -----	1	
	C661002-0101	USE C661002-0101 GYRO-DIRECTIONAL-REMANUFACTURED WHEN EXHAUSTED -----	1	
	0311056-5	ORDER AK172-116 KIT GYRO-DIRECTIONAL-NEW WHEN EXHAUSTED ORDER AK172-116 KIT --	1	
	S1327N1	INDICATOR-DIRECTIONAL GYRO-AZIMUTH-PICTORIAL-TYPE 34B -----	1	C
		WITH VACUUM WARNING LIGHTS WHEN EXHAUSTED		
		ORDER AK172-116 KIT		
		ATTACHING PARTS		
		SCREW -----	4	
		NUT -----	4	
-80	0311058-5	GYRO-HORIZONTAL-REBUILT WHEN EXHAUSTED USE S-1309N1 ----	1	
	S1309N1	GYRO-HORIZONTAL-REBUILT WHEN EXHAUSTED -----	1	
	C661001-0101	USE C661001-0101 GYRO-HORIZONTAL-REMANUFACTURED WHEN EXHAUSTED -----	1	
	0311058-4	ORDER AK172-116 KIT GYRO-HORIZONTAL-NEW WHEN EXHAUSTED ORDER AK172-116 KIT --	1	
	S1326N1	INDICATOR-GYRO HORIZON-PICTORIAL-TYPE 34B -----	1	C
		WITH VACUUM WARNING LIGHTS WHEN EXHAUSTED		
		ORDER AK172-116 KIT		
		ATTACHING PARTS		
		SCREW -----	4	
		SCREW -----	4	C
	NUT -----	4		
-81	330R	BULB -----	2	C
-82	S1365-1	SWITCH -----	1	C
	49265	STUD-TRI MOUNT UC -----	AR	
	S290D832	WASHER -----	AR	
-83	0413126-7	RHEOSTAT ASSEMBLY -----	1	
-84		GLOVE BOX INSTALLATION SEE FIGURE 69 -----	1	
-85		MAP CASE INSTALLATION SEE FIGURE 69 -----	1	
-86	0713157-1	ESCUTCHEON -----	1	
-87	0713208-1	ESCUTCHEON -----	2	
-88	S382-2	SWITCH-STARTER CIRCUIT -----	1	B
-89	S1393N1	GAGE-FUEL FLOW WHEN EXHAUSTED USE C662010-0102 -----	1	
	AN816-3D	NIPPLE -----	1	
-90	S392-1	SWITCH-AUXILIARY FUEL -----	1	
	0713192-3	REDUCER-AUXILIARY FUEL PUMP SWITCH -----	1	J
-91	PSM10N	CIRCUIT BREAKER-FUEL PUMP SPT -----	1	
-92	0770056-1	COVER ASSEMBLY -----	1	C
		ATTACHING PARTS		
-93	S102126-6	SCREW -----	2	
-94	NAS446-2-3	NUT -----	2	
-95	0770057-1	BRACKET -----	1	C
-96	0713721-1	FACEPLATE & BRACKET ASSEMBLY -----	1	C
		ATTACHING PARTS		
-97	S102124-6	SCREW -----	2	
-98	NAS446-1-3	NUT -----	2	
-99	S1284-1	SWITCH-PUSH TO TEST-VACUUM PRESS TO TEST -----	1	C
-99A	0716112-1	PLACARD-FUEL 81 GALS. -----	1	H

NOTE. *THIS KIT ALSO INCLUDES 2 DOOR LOCKS & KEYS

NOTE. **CASCO PARTS ARE NO LONGER AVAILABLE.
FOR REPLACEMENT ORDER COMPLETE GUNO
ASSEMBLY, 0513039-7 & RESPECTIVE KNOB.

- A---SERIAL 185-0001 THRU 185-0776
- B---SERIAL 185-0001 THRU 185-0237
- C---SERIAL 185-0238 THRU 185-0776
- D---SERIAL 185-0238 THRU 185-0512
- E---SERIAL 185-0513 THRU 185-0776
- F---SERIAL 185-0001 THRU 185-0237 &
185-0513 THRU 185-0776
- G---SERIAL 185-0001 THRU 185-0512
- H---SERIAL 185-0414 THRU 185-0776
- J---SERIAL 185-0654 THRU 185-0776
- K---SERIAL 185-0513 THRU 185-0653

Instruments (Cont)



SERIAL 18051446 THRU 18051875
SERIAL 185-0777 THRU 185-1300

Figure 68A. Instrument Panel Equipment Installation



FIGURE AND INDEX NO.	PART NUMBER	DESCRIPTION	UNITS PER ASSY	USABLE ON CODE
68A-		INSTRUMENT PANEL EQUIPMENT INSTALLATION -----	NP	A
- 1	0713755-1	PANEL ASSEMBLY-STATIONARY -----	1	
- 2	0713755-7	ANGLE -----	1	
- 3	0713755-8	SUPPORT-LH -----	1	
- 4	0713755-9	SUPPORT-RH -----	1	
- 5	0513316-9	MOUNT-PHONE JACK -----	1	
- 6	0713755-10	ANGLE-LH -----	1	
	0713755-11	ANGLE-RH -----	1	
- 7	0713755-4	PLATE ASSEMBLY -----	1	
	0713127-1	BRACKET-COWL FLAP CONTROL -----	2	
- 7A	0713249-1	BRACKET ASSEMBLY-RELAY -----	1	T
- 7B	0713249-2	BRACKET ASSEMBLY-DIODEBOARD -----	1	T
	NAS697A08K	NUTPLATE -----	2	T
- 8	0713755-12	PANEL-SHOCK -----	1	S
	0713755-15	PANEL-SHOCK -----	1	T
		ATTACHING PARTS		
- 9	0411059-3	FLEX MOUNT -----	8	
-10	AN936A8	WASHER -----	16	
-11	AN340B8	NUT -----	16	
-12	0413247	STRAP-GROUND -----	2	
		---*---		
-13	0713764-8	COVER-SHOCK PANEL -----	1	S
	0713764-13	COVER-SHOCK PANEL -----	1	T
		ATTACHING PARTS		
-14	0513351-1	SCREW POST -----	8	
		---*---		
-15	0813569-1	RETAINER-COMPASS CARD -----	1	
		ATTACHING PARTS		
-16	S1022Z4-6B	SCREW -----	2	
	NAS446-1-3	NUT -----	2	
		---*---		
-17	0713028-8	CORRECTION CARD -----	1	
	0713028-3	COVER-CORRECTION CARD -----	1	
-18	0513311-1	SUPPORT ASSEMBLY-CONTROL TUBE LH -----	1	
-18A	0513311-2	SUPPORT ASSEMBLY-CONTROL TUBE RH -----	1	
		ATTACHING PARTS		
	AN515B6R8	SCREW -----	4	
	AN340B6	NUT -----	4	
		---*---		
	0513056-3	GROMMET -----	2	
-19	0713765-1	COVER-RADIO -----	1	S
	0713871-1	COVER-RADIO -----	1	T
-20	0713764-12	COVER-RH -----	1	B
	0713764-14	COVER-RH -----	1	C
		ATTACHING PARTS		
-21	0513351-1	SCREW POST -----	5	
	AN515-8R7	SCREW -----	5	
	AN936A8	WASHER -----	5	
	AN340B8	NUT -----	5	
		---*---		
-22	0713756-1	COVER ASSEMBLY-UPPER -----	1	S
	0713872-1	COVER ASSEMBLY-UPPER -----	1	T
-23	0713756-8	COVER-LOWER -----	1	U
	0713872-3	COVER-LOWER -----	1	W
	0713756-7	COVER-LOWER -----	1	V
	0713872-4	COVER-LOWER -----	1	X
-24		GLOVE BOX INSTALLATION SEE FIGURE 69A -----	NP	
-25	S1407-6	HORN ASSEMBLY-STALL WARNING -----	1	Z
-26	0713738-3	BRACKET ASSEMBLY-HORN -----	1	Z
		ATTACHING PARTS		
-27	S1021Z8-6	SCREW -----	2	Z
		---*---		
-28	NAS395-12-3	NUT -----	2	Z
-29	CA2	CIRCUIT BREAKER MTCC -----	1	
		ATTACHING PARTS		
-30	AN515-6R8	SCREW -----	2	
	AN936A6	WASHER -----	2	
		---*---		
-31	S1470N6	INDICATOR-AIRSPD -----	1	B
	S1471N2	INDICATOR-AIRSPD -----	1	L
	S1471N9	INDICATOR-AIRSPD -----	1	E
		ATTACHING PARTS		
	AN515B6R12	SCREW -----	4	
		---*---		

CONTINUED ON NEXT PAGE

FIGURE AND INDEX NO.	PART NUMBER	DESCRIPTION	1 2 3 4 5 6 7							UNITS PER ASSY	USABLE ON CODE
68A-32	S1314N1	ALTIMETER-20,000 FT FOR VFR APPLICATIONS ONLY ----- WHEN EXHAUSTED USE C661011-0105								1	
	S1313N1	ALTIMETER-35,000 FT SENSITIVE FOR VFR APPLICATIONS -- ONLY WHEN EXHAUSTED USE C661011-0105								1	Y
	C661011-0105	ALTIMETER-20,000 FT SENSITIVE -----								1	G
	S1432N1	ALTIMETER-35,000 FT FEET/MILLIBARS FOR VFR ----- APPLICATIONS ONLY WHEN EXHAUSTED USE C661011-0106								1	Y
-33	C661011-0106	ALTIMETER-20,000 FT FEET/MILLIBARS -----								1	G
	S1302N1	INDICATOR-TURN & BANK -----								1	
-34	S1413N1	INDICATOR-TURN & BANK ALTERNATE -----								1	
	S1304N2	INDICATOR-VERTICAL SPEED -----								1	
	S1392N1	INDICATOR-VERTICAL SPEED ALTERNATE ----- ATTACHING PARTS								1	
	AN515B6R12	SCREW -----								4	
-35	C661002-0101	GYRO-DIRECTIONAL-REMANUFACTURED WHEN EXHAUSTED ----- ORDER AK172-116 KIT								1	S
	C661002-0201	GYRO-DIRECTIONAL -----								1	T
-36	C661002-0201R	GYRO-DIRECTIONAL RECONDITIONED -----								1	T
	30370-0100	GYRO-DIRECTIONAL USED WITH NAVO-MATIC ARC -----								1	
-37	C661001-0101	GYRO-HORIZON WHEN EXHAUSTED ORDER AK172-116 KIT -----								1	S
	C661001-0201	GYRO-HORIZON -----								1	T
	C661001-0201R	GYRO-HORIZON RECONDITIONED -----								1	T
	30475-0000	GYRO-HORIZON USED WITH NAVO-MATIC ARC -----								1	
-38	S1414N1	GAGE-SUCTION -----								1	
	S1317N1	CLOCK-ELECTRIC ----- ATTACHING PARTS								1	
	AN515B6R12	SCREW -----								2	
-39	S1301-1	GAGE-MANIFOLD PRESSURE -----								1	B
	S1301-2	GAGE-MANIFOLD PRESSURE 260 HP -----								1	M
	C662001-0104	GAGE-MANIFOLD PRESSURE & FUEL FLOW 300 HP ----- ATTACHING PARTS								1	N
	AN507B632R12	SCREW -----								4	
	AN936A6B	WASHER -----								4	
	AN340B6	NUT -----								4	
-40	S1305-8	TACHOMETER -----								1	B
	S1305-9	TACHOMETER 260 HP -----								1	M
	S1305-11	TACHOMETER 300 HP ----- ATTACHING PARTS								1	N
	S1021Z6-12	SCREW -----								4	
	NAS43DD1-20	SPACER -----								4	
	AN936A6B	WASHER -----								4	
	AN340-6	NUT -----								4	
	S1605-3	SHAFT-TACHOMETER ----- ATTACHING PARTS								1	
	S1485D4U	CLAMP ATTACH SHAFT AT FIREWALL -----								1	
	S1021Z8-6	SCREW -----								1	
-41	S1393-1	GAGE-FUEL FLOW 260 HP WHEN EXHAUSTED USE C662010-0102 --- ATTACHING PARTS								1	M
	S1021Z6-12	SCREW -----								4	C
	NAS395-4-3	NUT -----								4	C
-42	S1311-1	CARBURETOR AIR TEMPERATURE GAGE INSTALLATION ----- GAGE-CARBURETOR AIR ----- ATTACHING PARTS								NP	B
	0411897-3	COVER-ADAPTOR -----								1	B
	AN507B632R12	SCREW -----								8	B
	AN936A6B	WASHER -----								8	B
	AN340B6	NUT -----								8	B
	0550209-1	PROBE -----								1	B

CONTINUED ON NEXT PAGE



FIGURE AND INDEX NO.	PART NUMBER	DESCRIPTION	UNITS PER ASSY	USABLE ON CODE	
					1 2 3 4 5 6 7
68A-	1213505-8	CLUSTER-INSTRUMENT WHEN EXHAUSTED USE C669502-0201 -----	1	H	
	C669502-0103	CLUSTER-INSTRUMENT WHEN EXHAUSTED USE C669502-0201 -----	1	J	
	C669502-0201	CLUSTER-INSTRUMENT SEE FIG 68B FOR BREAKDOWN -----	1	J	
	C669502-0104	CLUSTER-INSTRUMENT 300 HP WHEN -----	1	N	
		EXHAUSTED USE C669502-0202			
	C669502-0202	CLUSTER-INSTRUMENT 300 HP SEE FIG 68B FOR BREAKDOWN -	1	N	
		ATTACHING PARTS			
	S102128-20	SCREW -----	2		
	NAS395-13-3	NUT -----	2		
	0713762-1	SUPPORT -----	2		
		-----*			
	G815825	COVER & LENS ASSEMBLY SW -----	1		
	2182D-R	BULB GE -----	6		
	-43 G441304	GAGE-FUEL SW WHEN EXHAUSTED USE G441344 -----	2		
	-44 G440404	AMMETER SW WHEN EXHAUSTED USE G440437 -----	1		
-45 G444619	GAGE-OIL PRESSURE SW WHEN EXHAUSTED USE G444627 -----	1			
-46 G442697	GAGE-OIL TEMP SW WHEN EXHAUSTED USE G442785 -----	1	P		
G442698	GAGE-OIL TEMP SW 300 HP WHEN -----	1	N		
	EXHAUSTED USE G442786				
-47 G442702	GAGE-CYL HEAD TEMP SW -----	1			
811542	POTENTIOMETER SW -----	1			
S1372-1	SENDING UNIT-CYL HEAD TEMP -----	1			
110691	WIRE-CYL HEAD TEMP GAGE TO SENDING UNIT -----	AR			
	50 IN LG BULK ITEM				
1270479-1	LIGHT ASSEMBLY-INST CLUSTER INCLUDES BULB, BASE & WIRE --	1			
	USED WITH C669502-0201 & C669502-0202 ONLY				
S1894-3	BULB RED -----	4			
-48 C668501-0101	INDICATOR-POWER ECONOMY -----	1	Q		
C668501-0201	INDICATOR-POWER ECONOMY -----	1	R		
	ATTACHING PARTS				
0411897-3	ADAPTER -----	1			
AN507B632R12	SCREW -----	4			
AN507B632R6	SCREW -----	4			
AN34086	NUT -----	8			
	-----*				
C668501-0104	LEAD-THERMOCOUPLE POWER ECONOMY INDICATOR -----	1	Q		
C668501-0206	LEAD-THERMOCOUPLE POWER ECONOMY INDICATOR -----	1	R		
	ATTACHING PARTS				
AN742D12	CLAMP -----	1	C		
S1486DG2U	CLAMP -----	1	C		
S102128-8	SCREW -----	1	C		
	-----*				
-49 0713128-1	LEVER ASSEMBLY -----	1			
-50 S1249-1	KNOB -----	1			
-51 S1241-9	CONTROL ASSEMBLY-FUEL SHUT OFF -----	1	C		
-52 S1234-1	CONTROL ASSEMBLY-MIXTURE -----	1	B		
S1220-4	CONTROL ASSEMBLY-MIXTURE -----	1	C		
-53 S1223-5	CONTROL ASSEMBLY-PROP PITCH -----	1			
-54 S1222-13	CONTROL ASSEMBLY-THROTTLE -----	1	B		
S1294-1	CONTROL ASSEMBLY-THROTTLE -----	1	C		
-55 S1230-6	CONTROL ASSEMBLY-CARBURETOR HEAT -----	1	B		
-56 S1230-6	CONTROL ASSEMBLY-INDUCTION AIR -----	1	C		
-57 S1241-3	CONTROL ASSEMBLY-CABIN HEAT -----	1			
-58 0513039-7	LIGHTER ASSEMBLY-CIGAR -----	1			
L4858-1	PLUG-HEATING CUE -----	1			
S1240-6	KNOB-CIGAR LIGHTER -----	1			
60232-1	CIRCUIT BREAKER-CIGAR LIGHTER CUE -----	1	F		
-59 S1239-25	CONTROL ASSEMBLY-CABIN AIR -----	1			
-60 S1239-4	CONTROL ASSEMBLY-STRAINER DRAIN REF S1239-19 -----	1			
S1239-24	CONTROL ASSEMBLY-STRAINER DRAIN FLOATPLANE -----	1			
-61 0311538-12	PRIMER ASSEMBLY WHEN EXHAUSTED USE C291502-0101 -----	1			
S1240-5	KNOB-PRIMER -----	1			
-62 S1668-1	RELAY -----	1	T		

CONTINUED ON NEXT PAGE

FIGURE AND INDEX NO.	PART NUMBER	DESCRIPTION	1 2 3 4 5 6 7		UNITS PER ASSY	USABLE ON CODE
68A-63	1570043-1	DIODE BOARD ASSEMBLY ----- TRUE AIRSPEED INSTALLATION -----			1	T
-64	C661010-0201	INDICATOR-AIRSPEED -----			NP	F
	C661010-0207	INDICATOR-AIRSPEED -----			1	D
-65	0700189-2	RING ASSEMBLY-T.A.S. -----			1	E
-66	0700162-3	SPACER .051 THICK -----			AR	F
	0700162-4	SPACER .063 THICK -----			AR	F
	0700162-6	SPACER .071 THICK -----			AR	F
	0700162-7	SPACER .040 THICK -----			AR	F
-67	0700162-1	RETAINER ASSEMBLY-T.A.S. ----- ATTACHING PARTS -----			1	F
-68	AN51586R16	SCREW ----- ---*---			4	F
-69	0700167-2	PLACARD-FUEL FLOW 300 HP -----			1	N
-70		SWITCH & CIRCUIT BREAKER INSTALLATION SEE FIGURE 68C -----			1	
-71	XH99608F1099	PLUG BUTTON UC -----			1	
<p>NOTE. THIS PART NUMBER MUST HAVE A SECOND DASH NUMBER ADDED TO DENOTE COLOR. REFER TO HOW TO ORDER INTERIOR PARTS-PAGE XIII.</p> <p>A---SERIAL 18051446 THRU 18051875 SERIAL 185-0777 THRU 185-1300 B---SERIAL 18051446 THRU 18051875 C---SERIAL 185-0777 THRU 185-1300 D---SERIAL 18051608 THRU 18051875 E---SERIAL 185-0968 THRU 185-1300 F---SERIAL 18051608 THRU 18051875 SERIAL 185-0968 THRU 185-1300 G---SERIAL 18051764 THRU 18051875 SERIAL 185-1113 THRU 185-1300 H---SERIAL 18051446 THRU 18051484 SERIAL 185-0777 THRU 185-0800 J---SERIAL 18051485 THRU 18051875 SERIAL 185-0801 THRU 185-1149 260 HP ONLY K---SERIAL 18051446 THRU 18051607 L---SERIAL 185-0777 THRU 185-0967 M---SERIAL 185-0777 THRU 185-1149 260 HP ONLY N---SERIAL 185-0968 THRU 185-1300 300 HP ONLY P---SERIAL 18051446 THRU 18051875 SERIAL 185-0777 THRU 185-1149 260 HP ONLY Q---SERIAL 18051446 THRU 18051771 SERIAL 185-0777 THRU 185-1116 R---SERIAL 18051772 THRU 18051875 SERIAL 185-1117 THRU 185-1300 S---SERIAL 18051446 THRU 18051774 SERIAL 185-0777 THRU 185-1149 T---SERIAL 18051775 THRU 18051875 SERIAL 185-1150 THRU 185-1300 U---SERIAL 18051446 THRU 18051774 V---SERIAL 185-0777 THRU 185-1149 W---SERIAL 18051775 THRU 18051875 X---SERIAL 185-1150 THRU 185-1300 Y---SERIAL 18051446 THRU 18051763 SERIAL 185-0777 THRU 185-1112 Z---SERIAL 18051446 THRU 18051823 SERIAL 185-0777 THRU 185-1197 & 185-1200</p>						



FIGURE AND INDEX NO.	PART NUMBER	DESCRIPTION	UNITS PER ASSY	USABLE ON CODE		
					1	2
68B-		INSTRUMENT PANEL EQUIPMENT INSTALLATION -----	NP	A		
- 1	0700193-2	PANEL ASSEMBLY-STATIONARY -----	1	M		
	0700193-16	PANEL ASSEMBLY-STATIONARY -----	1	N		
- 2	0713755-7	ANGLE -----	1			
- 3	0713755-8	SUPPORT-LH -----	1			
- 4	0713755-9	SUPPORT-RH -----	1			
- 5	0713755-10	ANGLE-LH -----	1			
	0713755-11	ANGLE-RH -----	1			
- 6	0713755-4	PLATE ASSEMBLY -----	1			
	0713127-1	BRACKET-COWL FLAP CONTROL -----	2			
- 7	0713249-1	BRACKET ASSEMBLY-RELAY -----	1			
- 8	0713249-2	BRACKET ASSEMBLY-DIODEBOARD -----	1			
	NAS697A08K	NUTPLATE -----	2			
- 9	0713755-15	PANEL-SHOCK -----	1			
		ATTACHING PARTS				
-10	0411059-3	FLEX MOUNT -----	8			
-11	AN936A8	WASHER -----	16			
-12	AN340B8	NUT -----	16			
-13	0413247	STRAP-GROUND -----	2			
		-----*				
-14	0713764-16	COVER-SHOCK PANEL -----	1			
		ATTACHING PARTS				
-15	0513351-1	SCREW POST -----	8			
		-----*				
-16	0813569-1	RETAINER-COMPASS CARD -----	1			
		ATTACHING PARTS				
	S1022Z4-6B	SCREW -----	2			
	NAS446-1-3	NUT -----	2			
		-----*				
-17	0713028-8	CORRECTION CARD -----	1			
	0713028-3	COVER-CORRECTION CARD -----	1			
-18	0513311-1	SUPPORT ASSEMBLY-CONTROL TUBE LH -----	1	AE		
	0513311-7	SUPPORT ASSEMBLY-CONTROL TUBE LH -----	1	AF		
-18A	0513311-2	SUPPORT ASSEMBLY-CONTROL TUBE RH -----	1			
		ATTACHING PARTS				
	AN515B6R8	SCREW -----	4			
	AN340B6	NUT -----	4			
		-----*				
	0513056-3	GROMMET -----	2			
-19	0713871-1	COVER-RADIO -----	1			
-20	0713764-12	COVER-INSTRUMENT PANEL RH 180 -----	1	AJ		
	0713764-14	COVER-INSTRUMENT PANEL RH 185 -----	1	AA		
	0713764-22	COVER-INSTRUMENT PANEL RH 185 -----	1	AB		
	0713764-23	COVER-INSTRUMENT PANEL RH 180 & 185 -----	1	AH		
		ATTACHING PARTS				
-21	0513351-1	SCREW POST -----	5			
	AN515-8R7	SCREW -----	5			
	AN936A8	WASHER -----	5			
	AN340B8	NUT -----	5			
		-----*				
-22	0713887-1	EYEBROW-INSTRUMENT PANEL -----	1	E		
	0713888-1	SUPPORT-EYEBROW -----	1	E		
	0713872-9	COVER ASSEMBLY-UPPER -----	1	AC		
	0713957-2	EYEBROW ASSEMBLY-INSTRUMENT PANEL -----	1	AD		
		ATTACHING PARTS				
	0713889-1	RETAINER-EYEBROW -----	1	E		
	S1023A4-8B	SCREW -----	11			
		-----*				
-22A	0713958-1	COVER-SWITCH PANEL -----	1	AD		
-23	0700195-3	COVER-STATIONARY PANEL LOWER 180 -----	1	H		
	0700195-6	COVER-STATIONARY PANEL LOWER 180 -----	1	K		
	0700195-12	COVER-STATIONARY PANEL LOWER 180 -----	1	Z		
	0700195-1	COVER-STATIONARY PANEL LOWER 185 -----	1	J		
	0700195-4	COVER-STATIONARY PANEL LOWER 185 -----	1	L		
	0700195-8	COVER-STATIONARY PANEL LOWER 185 -----	1	X		
	0700195-11	COVER-STATIONARY PANEL LOWER 185 -----	1	Y		
-24		GLOVE BOX INSTALLATION SEE FIGURE 69A -----	NP			
-25	CA2	CIRCUIT BREAKER MTCC -----	1			
		ATTACHING PARTS				
-26	AN515-6R8	SCREW -----	2			
	AN936A6	WASHER -----	2			
		-----*				

CONTINUED ON NEXT PAGE

FIGURE AND INDEX NO.	PART NUMBER	DESCRIPTION	UNITS PER ASSY	USABLE ON CODE
		1 2 3 4 5 6 7		
688-27	S1470N6	INDICATOR-AIRSPD WEU C661060-0105	1	AJ
	C661060-0105	INDICATOR-AIRSPD	1	AK
	S1471N9	INDICATOR-AIRSPD WEU C661060-0202	1	AL
	C661060-0202	INDICATOR-AIRSPD	1	AM
		TRUE AIRSPEED INSTALLATION	NP	
-28	C661010-0201	INDICATOR-AIRSPD WEU C661061-0206	1	AJ
	C661061-0206	INDICATOR-AIRSPD	1	AK
	C661010-0207	INDICATOR-AIRSPD WEU C661061-0202	1	AL
	C661061-0202	INDICATOR-AIRSPD	1	AM
-29	0700189-9	RING ASSEMBLY-T.A.S.	1	
-30	0700162-3	SPACER .051 THICK	AR	
	0700162-4	SPACER .063 THICK	AR	
	0700162-6	SPACER .071 THICK	AR	
	0700162-7	SPACER .040 THICK	AR	
-31	0700162-1	RETAINER ASSEMBLY-T.A.S.	1	
		ATTACHING PARTS		
-32	AN515B6R16	SCREW	4	
		-----*		
-33	C661012-0101	ALTIMETER-18,000 FT FOR VFR APPLICATIONS ONLY	1	
	C661011-0105	ALTIMETER-20,000 FT SENSITIVE WEU C661071-0101	1	AG
	C661071-0101	ALTIMETER-20,000 FT SENSITIVE	1	AH
	C661011-0106	ALTIMETER-20,000 FT FEET-MILLIBARS WEU C661071-0102	1	AG
-34	C661071-0102	ALTIMETER-20,000 FT FEET/MILLIBARS	1	AH
	S1304N2	INDICATOR-VERTICAL SPEED WEU C661080-0101	1	AG
	S1392N2	INDICATOR-VERTICAL SPEED ALT WEU C661080-0101	1	AG
	C661080-0101	INDICATOR-VERTICAL SPEED	1	AH
		ATTACHING PARTS		
	AN515B6R12	SCREW	4	
		-----*		
-35	C661003-0201	INDICATOR-TURN COORDINATOR WEU C661003-0501	1	D
	C661003-0501	INDICATOR-TURN COORDINATOR WEU C661003-0504	1	G
	C661003-0504	INDICATOR-TURN COORDINATOR	1	AH
	TVA-1315	CAPACITOR INSTALLED ACROSS POWER PLUG	1	
2904-1	INDICATOR-TURN COORDINATOR BTID USED WITH	1	AG	
	604-200-200	INDICATOR-TURN COORDINATOR BTID USED WITH	1	AH
		WING LEVELER INSTALLATION ONLY		
	S1413N1	INDICATOR-TURN & BANK WEU S1413N2	1	AG
	S1413N2	INDICATOR-TURN & BANK	1	AH
-36	C661002-0501	GYRO-DIRECTIONAL WEU C661002-0505	1	V
	C661002-0505	GYRO-DIRECTIONAL WEU C661075-0102	1	W
	C661075-0102	GYRO-DIRECTIONAL	1	AH
	C661002-0301	GYRO-DIRECTIONAL WEU C661075-0104	1	AG
	C661075-0104	GYRO-DIRECTIONAL	1	AH
	C661002-0503	GYRO-DIRECTIONAL WEU C661002-0506	1	V
	C661002-0506	GYRO-DIRECTIONAL WEU C661075-0103	1	W
	C661075-0103	GYRO-DIRECTIONAL	1	AH
	C661002-0504	GYRO-DIRECTIONAL WEU C661075-0101	1	AG
	C661075-0101	GYRO-DIRECTIONAL	1	AH
	30370-0100	GYRO-DIRECTIONAL USED WITH NAVO-MATIC 300 & 400 ARC	1	
		WEU 30370-0102		
-37	30370-0102	GYRO-DIRECTIONAL USED WITH NAVO-MATIC 300 ARC	1	AH
	C661001-0501	GYRO-HORIZON WEU C661001-0505	1	V
	C661001-0505	GYRO-HORIZON WEU C661076-0104	1	W
	C661076-0104	GYRO-HORIZON	1	AH
	C661001-0502	GYRO-HORIZON WEU C661076-0101	1	AG
	C661076-0101	GYRO-HORIZON	1	AH
	C661001-0503	GYRO-HORIZON WEU C661076-0102	1	AG
	C661076-0102	GYRO-HORIZON	1	AH
	C661001-0504	GYRO-HORIZON WEU C661076-0103	1	AG
	C661076-0103	GYRO-HORIZON	1	AH
37570-0001	GYRO-HORIZON USED WITH NAVO-MATIC 400 ARC	1	E	
		ATTACHING PARTS		
	AN507-632R8	SCREW	4	
		-----*		
-38	S1414N1	GAGE-SUCTION WEU C668540-0101	1	AG
	C668540-0101	GAGE-SUCTION	1	AH
		ATTACHING PARTS		
	AN507B632R12	SCREW	4	
		-----*		

CONTINUED ON NEXT PAGE

FIGURE AND INDEX NO.	PART NUMBER	DESCRIPTION	UNITS PER ASSY	USABLE ON CODE		
					1	2
688-39	S1317N2	CLOCK-ELECTRIC WEU C664508-0101	1	AG		
	C664508-0101	CLOCK-ELECTRIC	1	AH		
	AN515B6R12	ATTACHING PARTS SCREW	2			
		-----*				
-40	S1301-1	GAGE-MANIFOLD PRESSURE WEU C662035-0101	1	AJ		
	C662035-0101	GAGE-MANIFOLD PRESSURE	1	AK		
	C662001-0104	GAGE-MANIFOLD PRESSURE & FUEL FLOW WEU C662001-0204	1	D		
	C662001-0204	GAGE-MANIFOLD PRESSURE & FUEL FLOW WEU C662037-0103	1	AN		
	C662037-0103	GAGE-MANIFOLD PRESSURE & FUEL FLOW	1	AM		
		ATTACHING PARTS SCREW	4			
	AN507B632R12	WASHER	4			
	AN936A6B	NUT	4			
	AN340B6	-----*				
-41	S1311-1	CARBURETOR AIR TEMPERATURE GAGE INSTALLATION	NP	B		
	S1311-3	GAGE-CARBURETOR AIR TEMP WEU S1311-3	1	AJ		
		GAGE-CARBURETOR AIR TEMP	1	AK		
		ATTACHING PARTS COVER-ADAPTOR	1	B		
		SCREW	8	B		
		WASHER	8	B		
	AN507B632R12	NUT	8	B		
	AN936A6B	-----*				
	AN340B6	PROBE	1	B		
-42	O550209-1	TACHOMETER WEU C668020-0104	1	AJ		
	S1305-8	TACHOMETER	1	AK		
	C668020-0104	TACHOMETER WEU C668020-0107	1	AL		
	S1305-11	TACHOMETER	1	AM		
	C668020-0107	ATTACHING PARTS SCREW	4			
		SPACER	4			
	AN507B632R12	WASHER	4			
	NAS43DD1-20	NUT	4			
	AN936A6B	-----*				
	AN340B6	SHAFT-TACHOMETER	1			
	S1605-3	ATTACHING PARTS CLAMP ATTACH SHAFT AT FIREWALL	1			
	S1485D4U	SCREW	1			
	S1021Z8-6	-----*				
-43	O700167-2	PLACARD-FUEL FLOW WHEN EXHAUSTED USE O705005-1	1	D		
	O705005-1	PLACARD-FUEL FLOW	1	F		
	C669502-0201	CLUSTER-INSTRUMENT WITHOUT LIGHTS	1	B		
	C669502-0202	CLUSTER-INSTRUMENT WITHOUT LIGHTS	1	C		
		ATTACHING PARTS SCREW	2			
		NAS395-13-3	NUT	2		
	O713762-1	SUPPORT	2			
		-----*				
	G818827	COVER & LENS ASSEMBLY SW	1			
-44	G441344	GAGE-FUEL SW	2			
-45	G440437	AMMETER SW	1			
-46	G444627	GAGE-OIL PRESSURE SW	1			
-47	G442785	GAGE-OIL TEMPERATURE SW	1	B		
	G442786	GAGE-OIL TEMPERATURE SW	1	C		
-48	G442702	GAGE-CYL HEAD TEMP SW	1			
	811542	POTENTIOMETER SW	1			
	S1372-1	SENDING UNIT-CYL HEAD TEMP	1			
	110691	WIRE-CYL HEAD TEMP GAGE TO SENDING UNIT	AR			
		50 IN LG BULK ITEM				
	1270479-1	LIGHT ASSEMBLY-INST CLUSTER INCLUDES BULB, BASE & WIRE	1			
	S1894-3	BULB RED	4			

CONTINUED ON NEXT PAGE

FIGURE AND INDEX NO.	PART NUMBER	DESCRIPTION	UNITS PER ASSY	USABLE ON CODE	
					1 2 3 4 5 6 7
68B-49	C668501-0207	INDICATOR-POWER ECONOMY WEU C668501-0211 -----	1	AG	
	C668501-0211	INDICATOR-POWER ECONOMY ----- ATTACHING PARTS	1	AH	
	0411897-3	ADAPTER -----	1		
	AN5078632R12	SCREW -----	4		
	AN5078632R6	SCREW -----	4		
	AN34086	NUT -----	8		
	-----*				
	C668501-0206	LEAD-THERMOCOUPLE POWER ECONOMY INDICATOR ----- ATTACHING PARTS	1		
	AN742D12	CLAMP -----	1	C	
	S1486DG2U	CLAMP -----	1	C	
S1021Z8-8	SCREW -----	1	C		
-----*					
-50	C664501-0101	HOURLMETER WEU C664501-0103 -----	1	AG	
	C664501-0103	HOURLMETER ----- ATTACHING PARTS	1	AH	
	0411897-3	ADAPTOR -----	1		
	AN515-6R6	SCREW -----	8		
	NAS679A06	NUT -----	8		
-----*					
-51	0713128-1	LEVER ASSEMBLY -----	1		
-52	S1249-1	KNOB -----	1		
-53	S1239-31	CONTROL ASSEMBLY-CABIN HEAT -----	1	M	
	S1239-48	CONTROL ASSEMBLY-CABIN HEAT -----	1	N	
-53A	S1239-37	CONTROL ASSEMBLY-CABIN AIR -----	1	M	
	S1239-46	CONTROL ASSEMBLY-CABIN AIR -----	1	N	
-54	1260458-6	CONTROL ASSEMBLY-DISENGAGING RUDDER PEDALS -----	1	M	
	1260458-7	CONTROL ASSEMBLY-DISENGAGING RUDDER PEDALS -----	1	N	
-55	0513039-7	LIGHTER ASSEMBLY-CIGAR -----	1		
	L4858-1	PLUG-HEATING CUE -----	1		
	S1752-2	KNOB -----	1	M	
	S1982-1	KNOB -----	1	N	
	60232-1	CIRCUIT BREAKER-CIGAR LIGHTER -----	1		
-56	S1241-17	CONTROL ASSEMBLY-FUEL SHUT OFF -----	1	J	
	S1241-38	CONTROL ASSEMBLY-FUEL SHUT OFF -----	1	L	
-57	S1234-6	CONTROL ASSEMBLY-MIXTURE -----	1	B	
	S1220-9	CONTROL ASSEMBLY-MIXTURE WEU C299507-0201 -----	1	R	
	C299507-0201	CONTROL ASSEMBLY-MIXTURE -----	1	S	
	C299507-0401	CONTROL ASSEMBLY-MIXTURE -----	1	AP	
-58	S1223-8	CONTROL ASSEMBLY-PROP PITCH WEU C299506-0103 -----	1	T	
	C299506-0103	CONTROL ASSEMBLY-PROP PITCH -----	1	U	
	C299506-0201	CONTROL ASSEMBLY-PROP PITCH -----	1	AP	
-59	S1222-16	CONTROL ASSEMBLY-THROTTLE WEU C299505-0201 -----	1	P	
	C299505-0201	CONTROL ASSEMBLY-THROTTLE -----	1	Q	
	S1294-2	CONTROL ASSEMBLY-THROTTLE WEU C299505-0301 -----	1	R	
	C299505-0301	CONTROL ASSEMBLY-THROTTLE -----	1	S	
	C299505-0501	CONTROL ASSEMBLY-THROTTLE -----	1	AP	
-60	S1230-11	CONTROL ASSEMBLY-CARBURETOR HEAT -----	1	B	
-61	S1791-1	VALVE-WING LEVELER ----- ATTACHING PARTS	1		
	0713026-6	NUT -----	1		
-----*					
	S1760-1	KNOB -----	1		
-62	C291502-0101	PRIMER ASSEMBLY -----	1	M	
	C291502-0103	PRIMER ASSEMBLY -----	1	N	
	S1752-1	KNOB-PRIMER -----	1	M	
	S1974-1	KNOB-PRIMER -----	1	N	
-63	S1668-1	RELAY -----	1		
-64	1570043-1	DIODE BOARD ASSEMBLY -----	1		
-65		SWITCH & CIRCUIT BREAKER INSTALLATION SEE FIG 68C & 68D -----	1		
-66	0505020-2	PLACARD-MASTER SWITCH -----	1	N	
-67	0715019-1	PAD-LOWER INSTRUMENT PANEL ----- ATTACHING PARTS	1	AD	
	S1021Z6-10	SCREW -----	6	AD	
	S1066-1	WASHER -----	6	AD	
-----*					

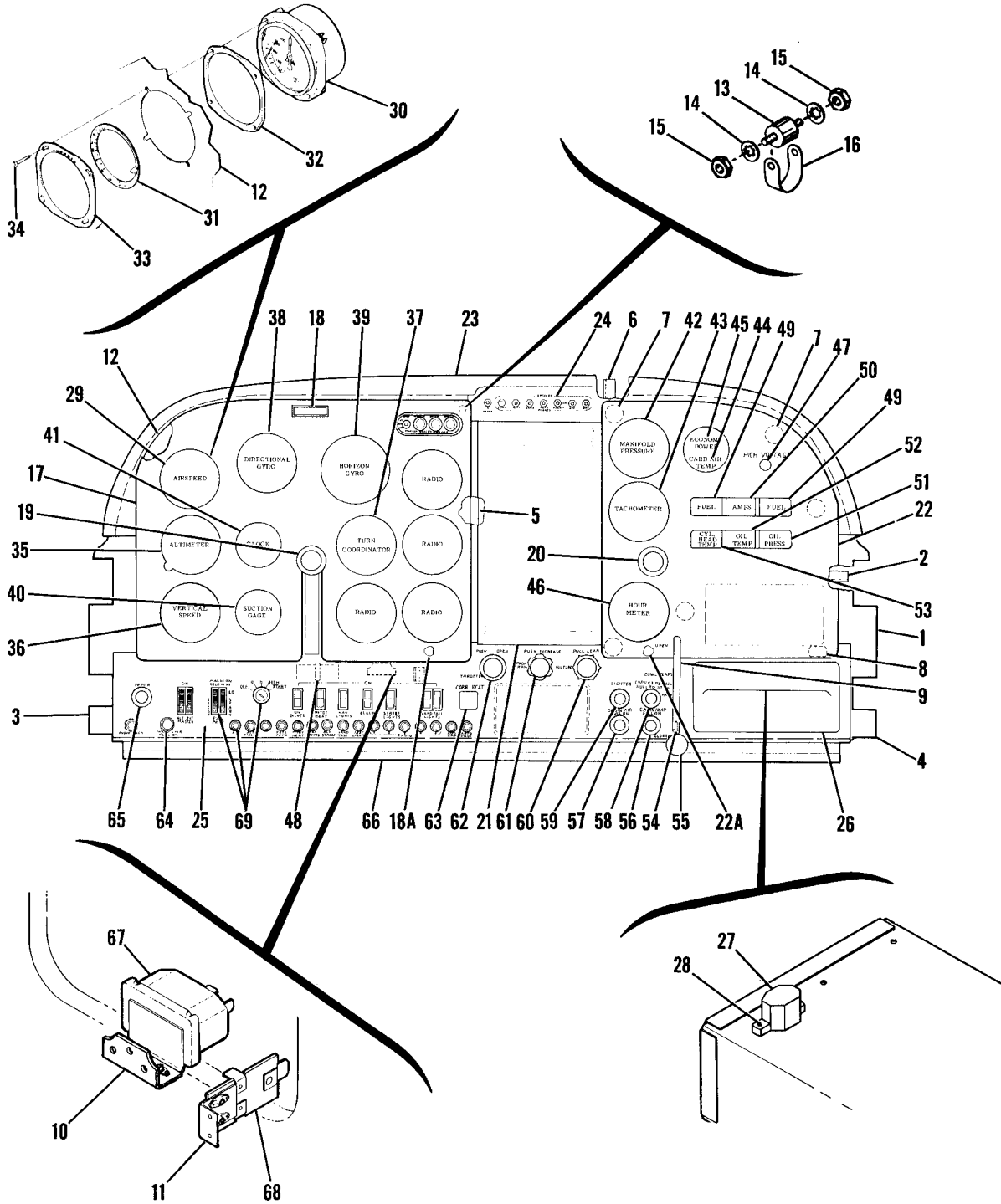
CONTINUED ON NEXT PAGE

FIGURE AND INDEX NO.	PART NUMBER	DESCRIPTION	UNITS PER ASSY	USABLE ON CODE
68B-68 -69	S2135-1	LIGHT ASSEMBLY-OVERVOLTAGE -----	1	AH
	C593001-0101	SENSOR-OVERVOLTAGE -----	1	AH
	S1693-2	ATTACHING PARTS STA STRAP -----	1	AH
-----*				
NOTE. THIS PART NUMBER MUST HAVE A SECOND DASH NUMBER ADDED TO DENOTE COLOR. REFER TO HOW TO ORDER INTERIOR PARTS-PAGE XIII.				
NOTE. *THESE GYROS ARE PHYSICALLY & FUNCTIONALLY INTERCHANGABLE.				
NOTE. **THESE GYROS ARE PHYSICALLY & FUNCTIONALLY INTERCHANGABLE.				
<p> A---SERIAL 18051876 THRU 18052284 SERIAL 185-1301 THRU 18502090 B---SERIAL 18051876 THRU 18052284 C---SERIAL 185-1301 THRU 18502090 D---SERIAL 185-1301 THRU 185-1447 E---SERIAL 18051876 THRU 18051993 SERIAL 185-1301 THRU 185-1447 F---SERIAL 185-1448 THRU 18502090 G---SERIAL 18051994 THRU 18501934 SERIAL 185-1448 THRU 18052221 H---SERIAL 18051876 THRU 18052103 J---SERIAL 185-1301 THRU 185-1599 K---SERIAL 18052104 THRU 18052175 L---SERIAL 18501600 THRU 18501679 M---SERIAL 18051876 THRU 18052103 SERIAL 185-1301 THRU 185-1599 N---SERIAL 18052104 THRU 18052284 SERIAL 18501600 THRU 1850290 P---SERIAL 18051876 THRU 18052155 Q---SERIAL 18052156 THRU 18052284 R---SERIAL 185-1301 THRU 18501766 S---SERIAL 18501767 THRU 18502007, 18502026, 18502027 T---SERIAL 18051876 THRU 18052155 SERIAL 185-1301 THRU 18501766 U---SERIAL 18052156 THRU 18052284 SERIAL 18501767 THRU 18502007, 18502026, 18502027 V---SERIAL 18051876 THRU 18052163 SERIAL 185-1301 THRU 18501797 W---SERIAL 18052164 THRU 18052221 SERIAL 18501798 THRU 18501934 X---SERIAL 18501680 THRU 18501733 Y---SERIAL 18501733 THRU 18502090 Z---SERIAL 18052176 THRU 18052284 AA---SERIAL 185-1301 THRU 18501679 AB---SERIAL 18501680 THRU 18501934 AC---SERIAL 18051994 THRU 18052175 SERIAL 185-1448 THRU 18501832 AD---SERIAL 18052176 THRU 18052284 SERIAL 18501833 THRU 18502090 AE---SERIAL 18051876 THRU 18052196 SERIAL 185-1301 THRU 18501877 AF---SERIAL 18052197 THRU 18052284 SERIAL 18501878 THRU 18502090 AG---SERIAL 18051876 THRU 18052221 SERIAL 185-1301 THRU 18501934 AH---SERIAL 18052222 THRU 18052284 SERIAL 18501935 THRU 18502090 AJ---SERIAL 18051876 THRU 18052221 AK---SERIAL 18052222 THRU 18052284 AL---SERIAL 185-1301 THRU 18501934 AM---SERIAL 18501935 THRU 18502090 AN---SERIAL 185-1448 THRU 18501934 AP---SERIAL 18502008 THRU 18502025, 18502028 THRU 18502090 </p>				

FIGURE AND INDEX NO.	PART NUMBER	DESCRIPTION	UNITS PER ASSY	USABLE ON CODE
		1 2 3 4 5 6 7		
68C-		INSTRUMENT PANEL EQUIPMENT INSTALLATION -----	NP	A
- 1	0713965-2	PANEL ASSEMBLY-STATIONARY -----	1	
- 2	0713755-7	ANGLE -----	1	
- 3	0713755-8	SUPPORT-LH -----	1	
- 4	0713755-9	SUPPORT-RH -----	1	
- 5	0713755-10	ANGLE-LH -----	1	
- 6	0713755-11	ANGLE-RH -----	1	
- 7	S2163-1	FASTENER-VELCRO -----	5	
- 8	S2163-3	FASTENER-VELCRO -----	1	
- 9	0713755-4	PLATE ASSEMBLY -----	1	
	0713127-1	BRACKET-COWL FLAP CONTROL -----	2	
-10	0713249-1	BRACKET ASSEMBLY-RELAY -----	1	
-11	0713249-2	BRACKET ASSEMBLY-DIODEBOARD -----	1	
	NAS697A08K	NUTPLATE -----	2	
-12	0713967-1	PANEL ASSEMBLY-SHOCK -----	1	
		ATTACHING PARTS -----		
-13	1213645-1	SHOCKMOUNT -----	8	
-14	AN936A8	WASHER -----	16	
-15	AN340B8	NUT -----	16	
-16	0413247	STRAP-GROUND -----	2	
		-----*		
-17	0713968-1	COVER ASSEMBLY-SHOCK PANEL -----	1	
-18	1213004-2	RETAINER-AIRCRAFT IDENTIFICATION PLACARD -----	1	
		ATTACHING PARTS -----		
	S102226-88	SCREW -----	2	
	NAS446-2-1	NUT -----	2	
		-----*		
-18A	1213379-4	POST LIGHT ASSY -----	1	
-19	0513311-7	SUPPORT ASSEMBLY-CONTROL TUBE LH -----	1	
-20	0513311-2	SUPPORT ASSEMBLY-CONTROL TUBE RH -----	1	
		ATTACHING PARTS -----		
	AN515B6R8	SCREW -----	4	
	AN340B6	NUT -----	4	
		-----*		
	0513056-3	GROMMET -----	2	
-21	0713871-1	COVER-RADIO -----	1	
-22	0713968-2	COVER ASSEMBLY-INSTRUMENT PANEL RH -----	1	
-22A	1213379-4	POST LIGHT ASSY -----	1	
-23	0713957-2	EYEBROW ASSEMBLY-INSTRUMENT PANEL -----	1	
-24	0713958-5	COVER-SWITCH PANEL -----	1	
-25	0713966-1	COVER-STATIONARY PANEL LOWER 185 -----	1	C
	0713966-3	COVER-STATIONARY PANEL LOWER 180 -----	1	B
-26	SEE FIGURE 69A	GLOVE BOX INSTALLATION -----	NP	
-27	CA2	CIRCUIT BREAKER MTCC -----	1	
		ATTACHING PARTS -----		
-28	AN515-6R8	SCREW -----	2	
	AN936A6	WASHER -----	2	
		-----*		
-29	C661060-0105	INDICATOR-AIRSPD 180 -----	1	B
	C661060-0202	INDICATOR-AIRSPD 185 -----	1	C
		TRUE AIRSPEED INSTALLATION -----	NP	
-30	C661061-0211	INDICATOR-AIRSPD 180 -----	1	B
	C661061-0210	INDICATOR-AIRSPD 185 -----	1	C
-31	0700189-9	RING ASSEMBLY-T.A.S. -----	1	
-32	0700162-3	SPACER .051 THICK -----	AR	
	0700162-4	SPACER .063 THICK -----	AR	
	0700162-6	SPACER .071 THICK -----	AR	
	0700162-7	SPACER .040 THICK -----	AR	
-33	0700162-1	RETAINER ASSEMBLY-T.A.S. -----	1	
		ATTACHING PARTS -----		
-34	AN515B6R16	SCREW -----	4	
		-----*		
-35	C661012-0101	ALTIMETER-18,000 FT FOR VFR APPLICATIONS ONLY -----	1	
	C661071-0101	ALTIMETER-20,000 FT SENSITIVE -----	1	
	C661071-0102	ALTIMETER-20,000 FT FEET/MILLIBARS -----	1	

CONTINUED ON NEXT PAGE

Instruments (Cont)



SERIAL 18502091 & ON
SERIAL 18052285 & ON

Figure 68C. Instrument Panel Equipment Installation

FIGURE AND INDEX NO.	PART NUMBER	DESCRIPTION	UNITS PER ASSY	USABLE ON CODE
		1 2 3 4 5 6 7		
68C-36	C661080-0101	INDICATOR-VERTICAL SPEED -----	1	
	AN515B6R12	ATTACHING PARTS -----		
		SCREW -----	4	
		-----*		
-37	C661003-0504	INDICATOR-TURN COORDINATOR -----	1	
	604-200-200	INDICATOR-TURN COORDINATOR BTID USED WITH -----	1	
		WING LEVELER INSTALLATION ONLY -----		
	S1413N2	INDICATOR-TURN & BANK -----	1	
-38	C661075-0102 *	GYRO-DIRECTIONAL -----	1	
	C661075-0104 *	GYRO-DIRECTIONAL -----	1	
	C661075-0103 *	GYRO-DIRECTIONAL -----	1	
	C661075-0101 *	GYRO-DIRECTIONAL -----	1	
	40760-0104	GYRO-DIRECTIONAL USED WITH NAVO-MATIC 300 ARC -----	1	
-39	C661076-0104 **	GYRO-HORIZON -----	1	
	C661076-0101 **	GYRO-HORIZON -----	1	
	C661076-0102 **	GYRO-HORIZON -----	1	
	C661076-0103 **	GYRO-HORIZON -----	1	
		ATTACHING PARTS -----		
	AN507-632R8	SCREW -----	4	
		-----*		
-40	C668540-0101	GAGE-SUCTION -----	1	
		ATTACHING PARTS -----		
	AN507B632R12	SCREW -----	4	
		-----*		
-41	C664508-0101	CLOCK-ELECTRIC -----	1	
		ATTACHING PARTS -----		
	AN515B6R12	SCREW -----	2	
		-----*		
-42	C662035-0101	GAGE-MANIFOLD PRESSURE 180 -----	1	B
	C662037-0103	GAGE-MANIFOLD PRESSURE & FUEL FLOW 185 -----	1	C
		ATTACHING PARTS -----		
	AN515B6R16	SCREW -----	4	
		-----*		
-43	C668020-0104	TACHOMETER -----	1	B
	C668020-0107	TACHOMETER -----	1	C
		ATTACHING PARTS -----		
	AN507B632R12	SCREW -----	4	
	NAS43DD1-20	SPACER -----	4	
	AN936A6B	WASHER -----	4	
	AN340B6	NUT -----	4	
		-----*		
	S1605-3	SHAFT-TACHOMETER -----	1	
		ATTACHING PARTS -----		
	S1485D4U	CLAMP ATTACH SHAFT AT FIREWALL -----	1	
	S1021Z8-6	SCREW -----	1	
		-----*		
-44	S1311-3	GAGE-CARBURETOR AIR TEMP -----	1	B
		ATTACHING PARTS -----		
	AN507B632R12	SCREW -----	4	B
	AN936A6B	WASHER -----	4	B
	AN340B6	NUT -----	4	B
		-----*		
	0550209-1	PROBE -----	1	B
-45	C668501-0211	INDICATOR-POWER ECONOMY -----	1	
		ATTACHING PARTS -----		
	AN507B632R12	SCREW -----	4	
	AN340B6	NUT -----	4	
		-----*		
	C668501-0206	LEAD-THERMOCOUPLE POWER ECONOMY INDICATOR -----	1	
		ATTACHING PARTS -----		
	AN742D12	CLAMP -----	1	C
	S1486DG2U	CLAMP -----	1	C
	S1021Z8-8	SCREW -----	1	C
		-----*		
-46	C664501-0103	HOURLY -----	1	
		ATTACHING PARTS -----		
	0411897-3	ADAPTOR -----	1	
	AN515-6R6	SCREW -----	8	
	NAS679A06	NUT -----	8	
		-----*		

CONTINUED ON NEXT PAGE

FIGURE AND INDEX NO.	PART NUMBER	DESCRIPTION	1 2 3 4 5 6 7							UNITS PER ASSY	USABLE ON CODE
68C-47	S2135-1	LIGHT ASSEMBLY-OVERVOLTAGE -----								1	
-48	C593001-0101	SENSOR-OVERVOLTAGE -----								1	
	S1693-2	ATTACHING PARTS -----								1	
	C669502-0202	STA STRAP -----								1	
	C669502-0202	---*---								1	C
	S102178-20	CLUSTER-INSTRUMENT WITHOUT LIGHTS -----								1	C
	NAS395-13-3	CLUSTER-INSTRUMENT WITHOUT LIGHTS -----								1	C
	0713762-1	ATTACHING PARTS -----								2	
	G818827	SCREW -----								2	
	G441344	NUT -----								2	
-49	G440437	SUPPORT -----								2	
-50	G444627	---*---								1	
-51	G442785	COVER & LENS ASSEMBLY SW -----								1	
-52	G442786	GAGE-FUEL SW -----								2	
-53	G442702	AMMETER SW -----								1	
	811542	GAGE-OIL PRESSURE SW -----								1	
	S1372-1	GAGE-OIL TEMPERATURE SW -----								1	B
	110691	GAGE-OIL TEMPERATURE SW -----								1	C
	1270479-1	GAGE-CYL HEAD TEMP SW -----								1	
	S1894-3	POTENTIOMETER SW -----								1	
-54	0713128-1	SENDING UNIT-CYL HEAD TEMP -----								1	
-55	S1249-1	WIRE-CYL HEAD TEMP GAGE TO SENDING UNIT 50 IN LG BKI- -----								1	
-56	S1239-48	LIGHT ASSEMBLY-INST CLUSTER INCLUDES BULB, BASE & WIRE --								AR	
-57	1260458-7	BULB RED -----								4	
-58	0513039-7	LEVER ASSEMBLY-COWL FLAPS -----								1	
-59	L4858-1	KNOB -----								1	
	S1982-1	CONTROL ASSEMBLY-CABIN HEAT -----								1	
	60232-1	CONTROL ASSEMBLY-CABIN AIR -----								1	
-60	S1234-6	CONTROL ASSEMBLY-DISENGAGING RUDDER PEDALS -----								1	
	C299507-0401	LIGHTER ASSEMBLY-CIGAR -----								1	
-61	C299506-0103	PLUG-HEATING CUE -----								1	
	C299506-0201	KNOB-CIGAR LIGHTER -----								1	
-62	C299505-0201	CIRCUIT BREAKER-CIGAR LIGHTER -----								1	B
	C299505-0501	CONTROL ASSEMBLY-MIXTURE 180 -----								1	C
-63	S1230-11	CONTROL ASSEMBLY-MIXTURE 185 -----								1	B
-64	S1791-1	CONTROL ASSEMBLY-PROP PITCH 180 -----								1	C
	0713026-6	CONTROL ASSEMBLY-PROP PITCH 185 -----								1	C
	S1760-1	CONTROL ASSEMBLY-THROTTLE 180 -----								1	B
-65	C291502-0103	CONTROL ASSEMBLY-THROTTLE 185 -----								1	C
	S1974-1	CONTROL ASSEMBLY-THROTTLE 180 -----								1	B
-66	0715029-1	CONTROL ASSEMBLY-THROTTLE 185 -----								1	C
	S1021A6-10	CONTROL ASSEMBLY-CARBURETOR HEAT -----								1	B
	S1066-1	VALVE-WING LEVELER -----								1	
	S1668-1	ATTACHING PARTS -----								1	
-67	1570043-1	NUT -----								1	
-68	SEE FIG	---*---								1	
		KNOB -----								1	
		PRIMER ASSEMBLY -----								1	
		KNOB-PRIMER -----								1	
		KNEE PADDING-INSTRUMENT PANEL -----								1	
		ATTACHING PARTS -----								1	
		SCREW -----								5	
		WASHER -----								5	
		---*---								1	
		RELAY -----								1	
		DIODE BOARD ASSEMBLY -----								1	
		SWITCH & CIRCUIT BREAKER INSTALLATION -----								1	

NOTE. □THIS PART NUMBER MUST HAVE A SECOND DASH NUMBER ADDED TO DENOTE COLOR. REFER TO HOW TO ORDER INTERIOR PARTS-PAGE XIII.

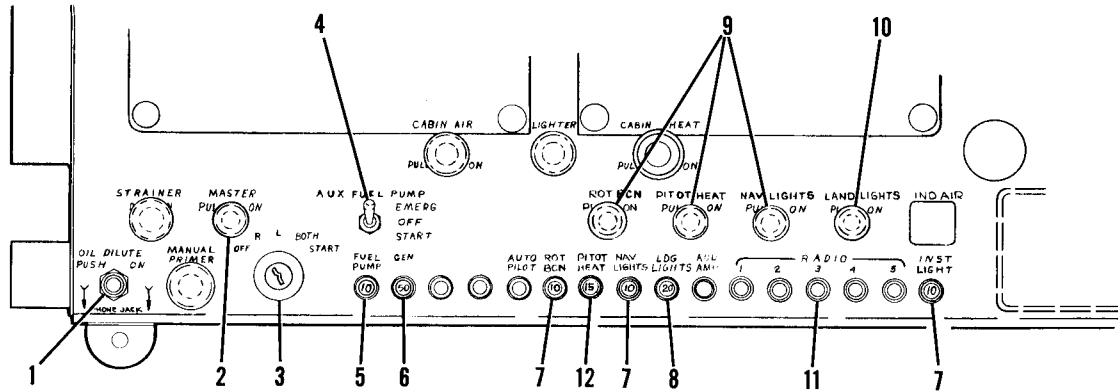
NOTE. *THESE GYROS ARE PHYSICALLY & FUNCTIONALLY INTERCHANGABLE.

NOTE. **THESE GYROS ARE PHYSICALLY & FUNCTIONALLY INTERCHANGABLE.

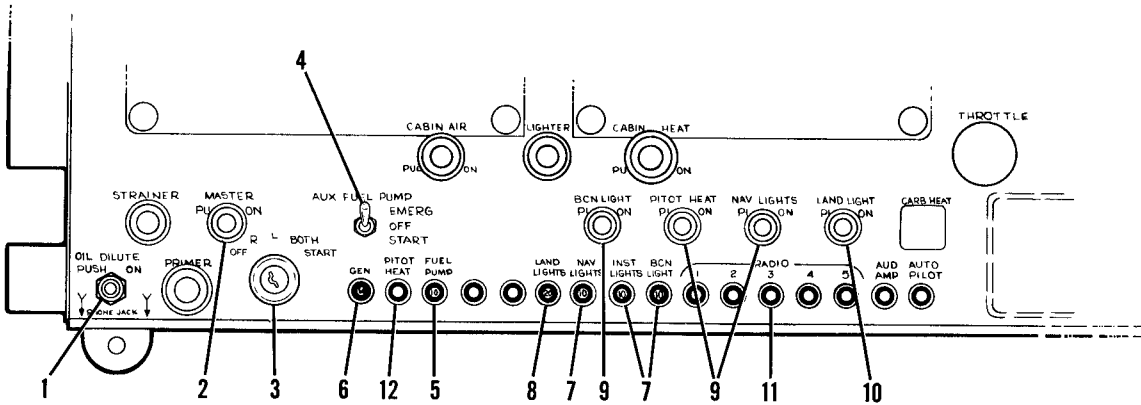
A---SERIAL 18052285 & ON
 SERIAL 18052091 & ON
 B---SERIAL 18052285 & ON
 C---SERIAL 18052091 & ON

This page intentionally left blank.

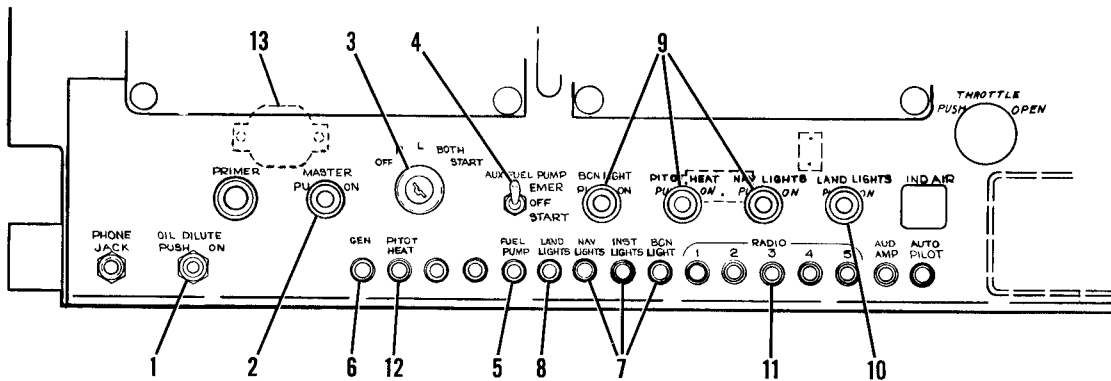
Instruments (Cont)



SERIAL 18051446 THRU 18051774
 SERIAL 185-0777 THRU 185-1149



SERIAL 18051775 THRU 18051875
 SERIAL 185-1150 THRU 185-1300



SERIAL 18051876 THRU 18052103
 SERIAL 185-1301 THRU 185-1599

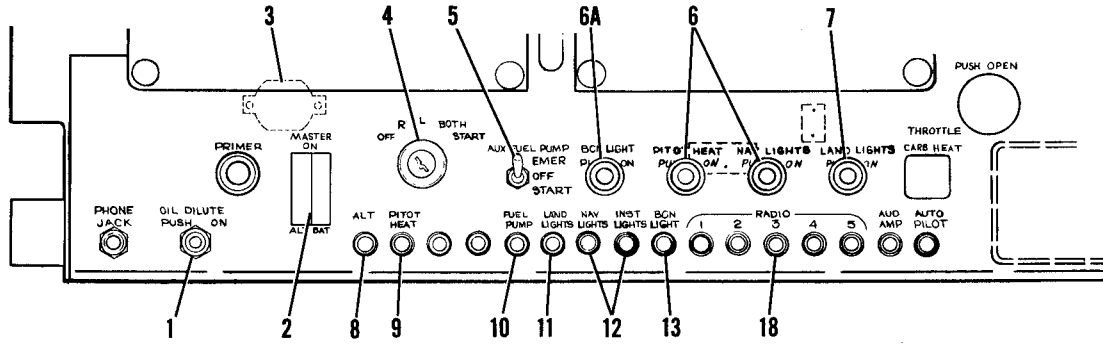
SERIAL 18051446 THRU 18052103
 SERIAL 185-0777 THRU 185-1599

Figure 68D. Switch & Circuit Breaker Installation

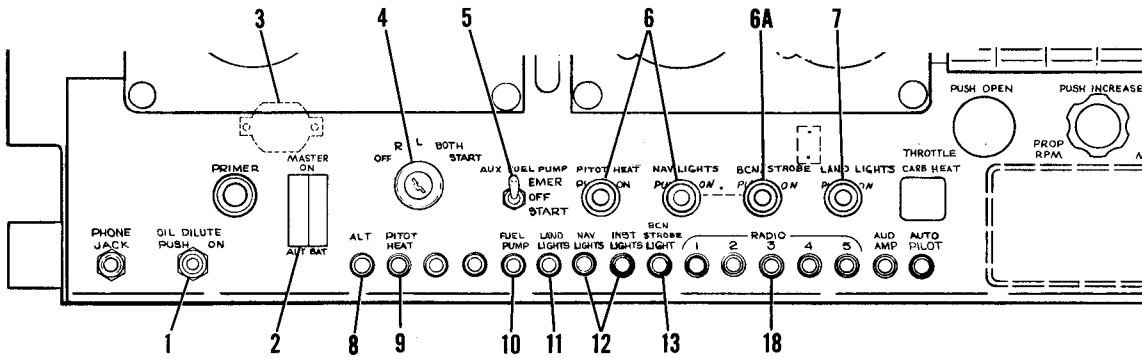


FIGURE AND INDEX NO.	PART NUMBER	DESCRIPTION	UNITS PER ASSY	USABLE ON CODE
		1 2 3 4 5 6 7		
680-		SWITCH & CIRCUIT BREAKER INSTALLATION -----	NP	A
- 1	0511063	SWITCH-OIL DILUTION -----	1	
	0511063-2	NUT-OIL DILUTION SWITCH -----	1	
- 2	0713026-5	SWITCH-MASTER -----	1	
	S1416-1	KNOB-MASTER SWITCH -----	1	M
	S1760-3	KNOB-MASTER SWITCH -----	1	N
	0770719-1	DIODE ASSEMBLY MOUNTED ON BACK OF MASTER SWITCH -----	1	B
- 3	0713129-4 *	KIT-IGNITION SWITCH WHEN EXHAUSTED USE C292501-0102 -----	1	C
	C292501-0102 *	KIT-IGNITION SWITCH -----	1	D
- 4	S392-1	SWITCH-FUEL PUMP -----	1	E
- 5	S1360-10	CIRCUIT BREAKER 10 AMP -----	1	F
	S1232-10	CIRCUIT BREAKER 10 AMP -----	1	G
	054624-3	BUSHING USED WITH S1232 CIRCUIT BREAKER ONLY -----	1	G
- 6	S1360-50	CIRCUIT BREAKER 50 AMP -----	1	H
	S1596-60	CIRCUIT BREAKER 60 AMP -----	1	B
- 7	S1360-10	CIRCUIT BREAKER 10 AMP -----	3	K
	S1232-10	CIRCUIT BREAKER 10 AMP -----	3	L
- 8	S1360-20	CIRCUIT BREAKER 20 AMP -----	1	K
	S1232-20	CIRCUIT BREAKER 20 AMP -----	1	L
	054624-3	BUSHING USED WITH S1232 CIRCUIT BREAKERS ONLY -----	5	L
- 9	0713026-4	SWITCH-BCN LIGHT, NAV LIGHTS, & PITOT HEAT -----	3	
	0713303-2	KNOB-SWITCH -----	3	M
	S1760-1	KNOB-SWITCH -----	3	N
-10	0713035	SWITCH-LANDING LIGHTS -----	1	
	0713303-2	KNOB-SWITCH -----	1	M
	S1760-1	KNOB-SWITCH -----	1	N
	0713751-1	BUS BAR -----	1	H
	0770102-1	BUS BAR -----	1	J
	0770104-1	BUS BAR-INBOARD AUTO PILOT & RADIOS -----	1	D
	0770104-2	BUS BAR-OUTBOARD -----	1	D
-11		RADIO INSTALLATIONS SEE ELECTRONICS MANUAL -----	NP	
-12	S1360-15	CIRCUIT BREAKER 15 AMP -----	1	K
	S1232-15	CIRCUIT BREAKER 15 AMP -----	1	L
-13	CA2	CIRCUIT BREAKER MTCC -----	1	N
	AN507-832R8	ATTACHING PARTS SCREW -----	2	N
		-----*-----		
		NOTE. *THIS KIT ALSO INCLUDES TWO DOOR LOCKS & KEYS		
		A---SERIAL 18051446 THRU 18052103 SERIAL 185-0777 THRU 185-1599		
		B---SERIAL 18051608 THRU 18052103 SERIAL 185-0968 THRU 185-1599		
		C---SERIAL 18051446 THRU 18051774 SERIAL 185-0777 THRU 185-1149		
		D---SERIAL 18051775 THRU 18052103 SERIAL 185-1150 THRU 185-1599		
		E---SERIAL 185-0777 THRU 185-1599		
		F---SERIAL 185-0777 THRU 185-1073, 185-1111 THRU 185-1599		
		G---SERIAL 185-1074 THRU 185-1110		
		H---SERIAL 18051446 THRU 18051607 SERIAL 185-0777 THRU 185-0967		
		J---SERIAL 18051608 THRU 18051774 SERIAL 185-0968 THRU 185-1149		
		K---SERIAL 18051446 THRU 18051716, 18051751 THRU 18052103 SERIAL 185-0777 THRU 185-1073, 185-1111 THRU 185-1599		
		L---SERIAL 18051717 THRU 18051750 SERIAL 185-1074 THRU 185-1110		
		M---SERIAL 18051446 THRU 18051875 SERIAL 185-0777 THRU 185-1300		
		N---SERIAL 18051876 THRU 18052103 SERIAL 185-1301 THRU 185-1599		

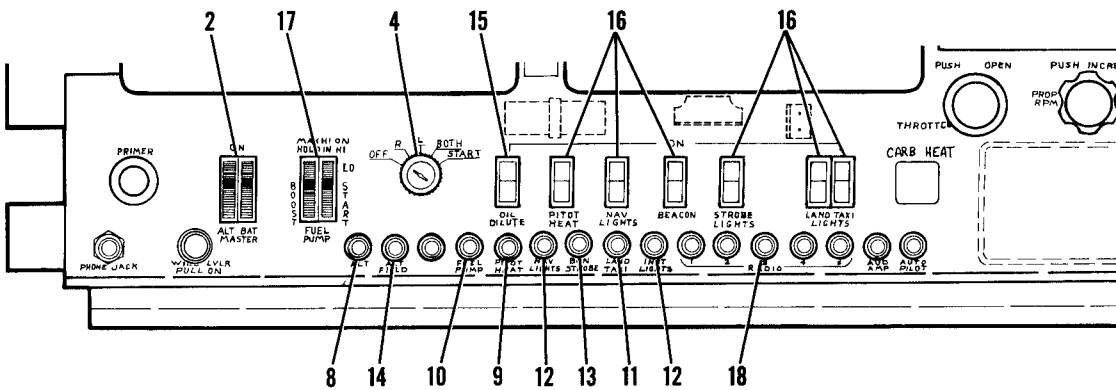
Instruments (Cont)



SERIAL 18052104 THRU 18052175
SERIAL 18501600 THRU 18501832



SERIAL 18052176 THRU 18052284
SERIAL 18501833 THRU 18502090



SERIAL 18052285 & ON
SERIAL 18502091 & ON

SERIAL 18052104 & ON
SERIAL 18501600 & ON

Figure 68E. Switch & Circuit Breaker Installation

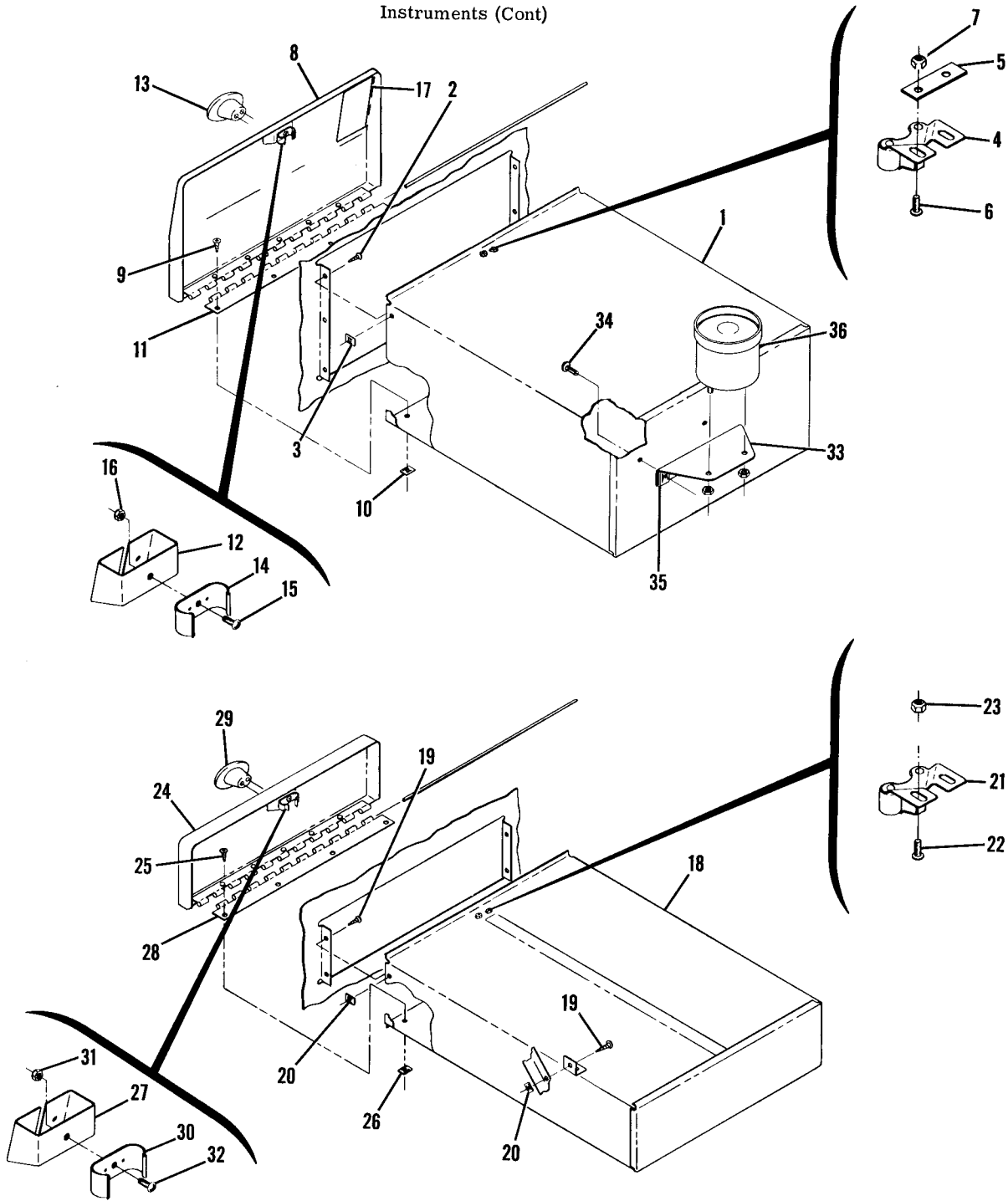


FIGURE AND INDEX NO.	PART NUMBER	DESCRIPTION	UNITS PER ASSY	USABLE ON CODE		
					1	2
68E-		SWITCH & CIRCUIT BREAKER INSTALLATION -----	NP	A		
- 1	0511063	SWITCH-OIL DILUTION -----	1	F		
	0511063-2	NUT-OIL DILUTION SWITCH -----	1	F		
- 2	S1994-1-1	SWITCH-MASTER -----	1			
	0770719-2	DIODE ASSEMBLY MOUNTED ON BACK OF MASTER SWITCH -----	1			
- 3	CA2	CIRCUIT BREAKER MTC -----	1	F		
		ATTACHING PARTS -----				
	AN507-832R8	SCREW -----	2	F		
		*-----				
- 4	C292501-0102 *	KIT-IGNITION SWITCH -----	1			
- 5	S392-1	SWITCH-FUEL PUMP -----	1	G		
- 6	0713026-4	SWITCH-NAV LIGHTS & PITOT HEAT -----	2	F		
	S1981-1	KNOB-SWITCH -----	2	F		
- 6A	0713026-4	SWITCH-BEACON LIGHT ONLY -----	1	F		
	0713035	SWITCH-BEACON/STROBE LIGHT -----	1	H		
	S1981-1	KNOB-SWITCH -----	1	F		
- 7	0713035	SWITCH-LANDING LIGHTS -----	1	F		
	S1981-1	KNOB-SWITCH -----	1	F		
- 8	S1596-60L	CIRCUIT BREAKER 60 AMP -----	1			
- 9	S1360-15L	CIRCUIT BREAKER 15 AMP -----	1			
-10	S1360-10L	CIRCUIT BREAKER 10 AMP -----	1	B		
-11	S1360-20L	CIRCUIT BREAKER 20 AMP -----	1			
-12	S1360-10L	CIRCUIT BREAKER 10 AMP -----	2			
-13	S1360-10L	CIRCUIT BREAKER 10 AMP BCN LIGHT ONLY -----	1			
	S1360-5L	CIRCUIT BREAKER 5 AMP STROBE LIGHT ONLY -----	1	D		
	S1360-15L	CIRCUIT BREAKER 15 AMP BCN/STROBE LIGHT -----	1	C		
-14	S1360-5L	CIRCUIT BREAKER 5 AMP -----	1	E		
	S2122-1	NUT-CIRCUIT BREAKER BLACK -----	AR			
	S2122-2	NUT-CIRCUIT BREAKER BRIGHT -----	AR			
-15	S2160-3	SWITCH-OIL DILUTE -----	1	E		
-16	S2160-1	SWITCH -----	6	E		
-17	S2055-1-1	SWITCH-FUEL BOOST -----	1	J		
	0770104-1	BUS BAR-INBOARD AUTOPILOT & RADIOS -----	1			
	0770104-2	BUS BAR-OUTBOARD -----	1			
-18		RADIO INSTALLATIONS SEE ELECTRONICS MANUAL -----	NP			

NOTE. *THIS KIT ALSO INCLUDES TWO DOOR LOCKS & KEYS

- A---SERIAL 18052104 & ON
SERIAL 18501600 & ON
- B---SERIAL 18501600 & ON
- C---SERIAL 18052176 & ON
SERIAL 18501833 & ON
- D---SERIAL 18052176 & ON
- E---SERIAL 18052285 & ON
SERIAL 18502091 & ON
- F---SERIAL 18052104 THRU 18052284
SERIAL 18501600 THRU 18502090
- G---SERIAL 18501600 THRU 18502090
- H---SERIAL 18052176 THRU 18052284
SERIAL 18501833 THRU 18502090
- J---SERIAL 18502091 & ON

Instruments (Cont)



SERIAL 185-0001 THRU 185-0776
SERIAL 18051184 THRU 18051445

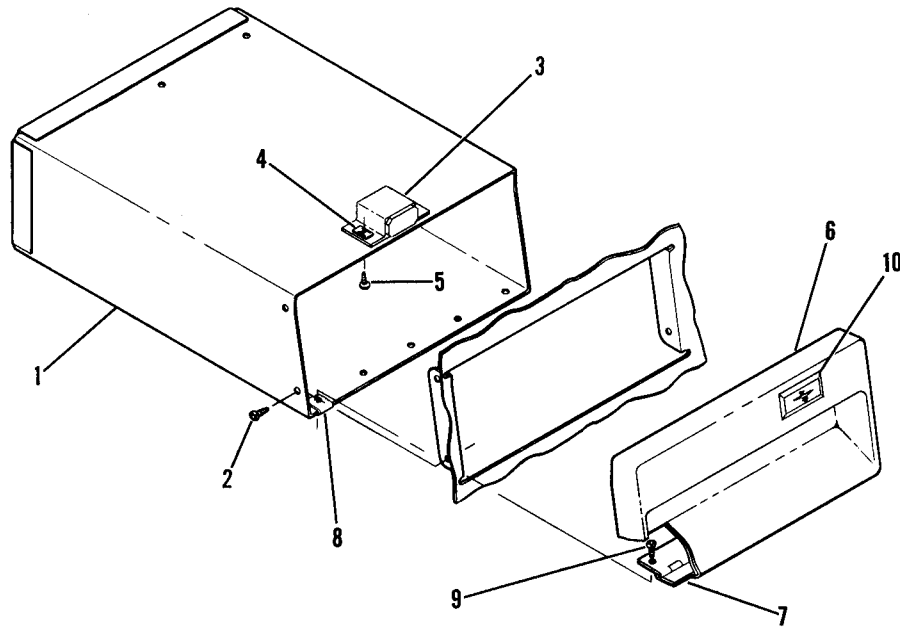
Figure 69. Glove Box & Map Case Installation

FIGURE AND INDEX NO.	PART NUMBER	DESCRIPTION	UNITS PER ASSY	USABLE ON CODE
69 -		GLOVE BOX & MAP CASE INSTALLATION -----	NP	G
- 1	0713514-1	BOX ASSEMBLY-GLOVE -----	1	
		ATTACHING PARTS -----		
- 2	S1021Z6-6	SCREW -----	4	
- 3	NAS446-3-3	NUT -----	4	
		-----*		
- 4	0713009-2	CATCH-DOOR -----	1	
		ATTACHING PARTS -----		
- 5	0713517-1	SPACER -----	1	
- 6	AN515-6R8	SCREW -----	2	
- 7	NAS679A06	NUT -----	2	
		-----*		
- 8	0713514-13-279	DOOR ASSEMBLY-GLOVE BOX -----	1	A
	0713514-19-279	DOOR ASSEMBLY-GLOVE BOX -----	1	B
	0713514-16-418	DOOR ASSEMBLY-GLOVE BOX -----	1	J
	0713514-6-418	DOOR ASSEMBLY-GLOVE BOX -----	1	H
		ATTACHING PARTS -----		
- 9	S1021Z6-6	SCREW -----	5	
-10	NAS446-3-3	NUT -----	5	
		-----*		
-11	0713515-1	HINGE ASSEMBLY -----	1	
-12	0713516-1	BRACKET-DOOR CATCH -----	1	
-13	0713303-7	KNOB -----	1	
		ATTACHING PARTS -----		
	AN515-6R6	SCREW -----	1	
		-----*		
-14	0713009-1	CLIP-DOOR CATCH -----	1	
		ATTACHING PARTS -----		
-15	AN515-6R4	SCREW -----	1	
-16	NAS679A06	NUT -----	1	
		-----*		
	0700064-1	PLACARD -----	1	C
	0513220-14	LETTERING-SKYWAGON -----	1	C
	0513220-2	INITIAL-S -----	1	
	0513220-3	INITIAL-K -----	1	
	0513220-4	INITIAL-Y -----	1	
	0513220-9	INITIAL-W -----	1	
	0513220-6	INITIAL-A -----	1	
	0513220-11	INITIAL-G -----	1	
	0513220-12	INITIAL-O -----	1	
	0513220-13	INITIAL-N -----	1	
	0713724-1	MEDALLION-CESSNA ANNIVERSARY MODEL -----	1	B
-17	0713210-16	PLACARD-TIRE & OIL -----	1	C
	0713210-11	PLACARD-TIRE & OIL -----	1	E
-18	0713503-25	CASE ASSEMBLY-MAP -----	1	
		ATTACHING PARTS -----		
-19	S1021Z6-6	SCREW -----	5	
-20	NAS446-3-3	NUT -----	5	
		-----*		
-21	0713009-2	CATCH-DOOR -----	1	
		ATTACHING PARTS -----		
-22	AN515-6R4	SCREW -----	2	
-23	NAS679A06	NUT -----	2	
		-----*		
-24	0713521-6-279	DOOR ASSEMBLY-MAP CASE -----	1	A
	0713521-7-279	DOOR ASSEMBLY-MAP CASE -----	1	B
	0713521-7-418	DOOR ASSEMBLY-MAP CASE -----	1	D
		ATTACHING PARTS -----		
-25	S1021Z6-6	SCREW -----	5	
-26	NAS446-3-3	NUT -----	5	
		-----*		

CONTINUED ON NEXT PAGE

FIGURE AND INDEX NO.	PART NUMBER	DESCRIPTION	UNITS PER ASSY	USABLE ON CODE
		1 2 3 4 5 6 7		
69 -27	0713503-7	BRACKET-DOOR CATCH -----	1	
-28	0713503-16	HINGE ASSEMBLY -----	1	
-29	0713303-7	KNOB -----	1	
	AN515-6R6	ATTACHING PARTS		
		SCREW -----	2	
		---*---		
-30	0713009-1	CLIP-DOOR CATCH -----	1	
		ATTACHING PARTS		
-31	NAS679A06	NUT -----	1	
-32	AN515-6R4	SCREW -----	1	
		---*---		
	0700104-24	RUG-GLOVE BOX SOUNDPROOFING -----	1	F
	0700104-25	RUG-MAP CASE SOUNDPROOFING -----	1	F
-33	0713738-3	* BRACKET ASSEMBLY-STALL WARNING -----	1	
		ATTACHING PARTS		
-34	S102128-6	SCREW -----	2	
		---*---		
-35	NAS395-12-3	NUT -----	2	
-36	S1407-6	# HORN ASSEMBLY-STALL WARNING -----	1	
<p>NOTE. #WHEN ORDERING THIS PART FOR AIRCRAFT SERIALS 185-0001 THRU 185-0725 & 18051184 THRU 18051390 ALSO ORDER BRACKET MARKED*.</p> <p>A---SERIAL 185-0001 THRU 185-0237 B---SERIAL 185-0238 THRU 185-0512 C---SERIAL 185-0001 THRU 185-0776 D---SERIAL 185-0513 THRU 185-0776 SERIAL 18051184 THRU 18051445 E---SERIAL 18051184 THRU 18051312 F---SERIAL 185-0654 THRU 185-0776 SERIAL 18051184 THRU 18051445 G---SERIAL 185-0001 THRU 185-0776 SERIAL 18051184 THRU 18051445 H---SERIAL 18051184 THRU 18051445 J---SERIAL 185-0513 THRU 185-0776</p>				

Instruments (Cont)



**SERIAL 18051446 & ON
SERIAL 185-0777 & ON**

Figure 69A. Glove Box Installation

FIGURE AND INDEX NO.	PART NUMBER	DESCRIPTION	UNITS PER ASSY	USABLE ON CODE
69A-		1 2 3 4 5 6 7		
- 1	0713758-12	GLOVE BOX INSTALLATION -----	NP	A
- 2	S1021Z6-6	BOX ASSEMBLY-GLOVE -----	1	
		ATTACHING PARTS -----		
		SCREW -----	4	
		-----*		
- 3	S1895-1	MAGNETIC CATCH -----	1	
- 4	S1021Z6-8	SCREW -----	2	
- 5	NAS446-2-3	NUT -----	2	
- 6	0713758-4	DOOR ASSEMBLY-GLOVE BOX -----	1	B
	0713875-1	DOOR ASSEMBLY-GLOVE BOX -----	1	C
	0713875-3	DOOR ASSEMBLY-GLOVE BOX -----	1	D
		ATTACHING PARTS -----		
- 7	S1021Z8-6	SCREW -----	5	
- 8	NAS395-17-3	NUT -----	5	
		-----*		
- 9	0713758-8	HINGE ASSEMBLY -----	1	
-10	0713254-4	EMBLEM -----	1	D
	0700756-1	BASE -----	1	D
	S1874-1C	NUT -----	2	
	0700114-55	RUG-GLOVE BOX SOUNDPROOFING -----	1	
		NOTE. □THIS PART NUMBER MUST HAVE A SECOND DASH NUMBER ADDED TO DENOTE COLOR. REFER TO HOW TO ORDER INTERIOR PARTS-PAGE XIII.		
		A---SERIAL 18051446 & ON SERIAL 185-0777 & ON		
		B---SERIAL 18051446 THRU 18051774 SERIAL 185-0777 THRU 185-1149		
		C---SERIAL 18051775 THRU 18051875, 18052285 & ON SERIAL 185-1150 THRU 185-1300, 18502091 & ON		
		D---SERIAL 18051876 THRU 18052284 SERIAL 185-1301 THRU 18502090		

Fuselage Equipment

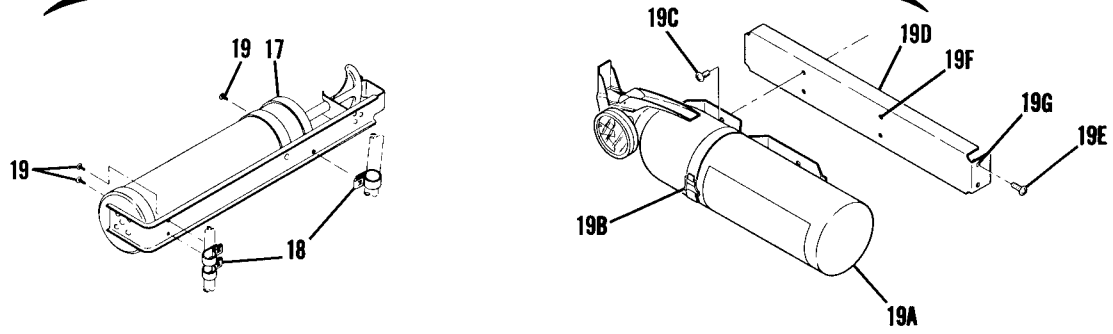
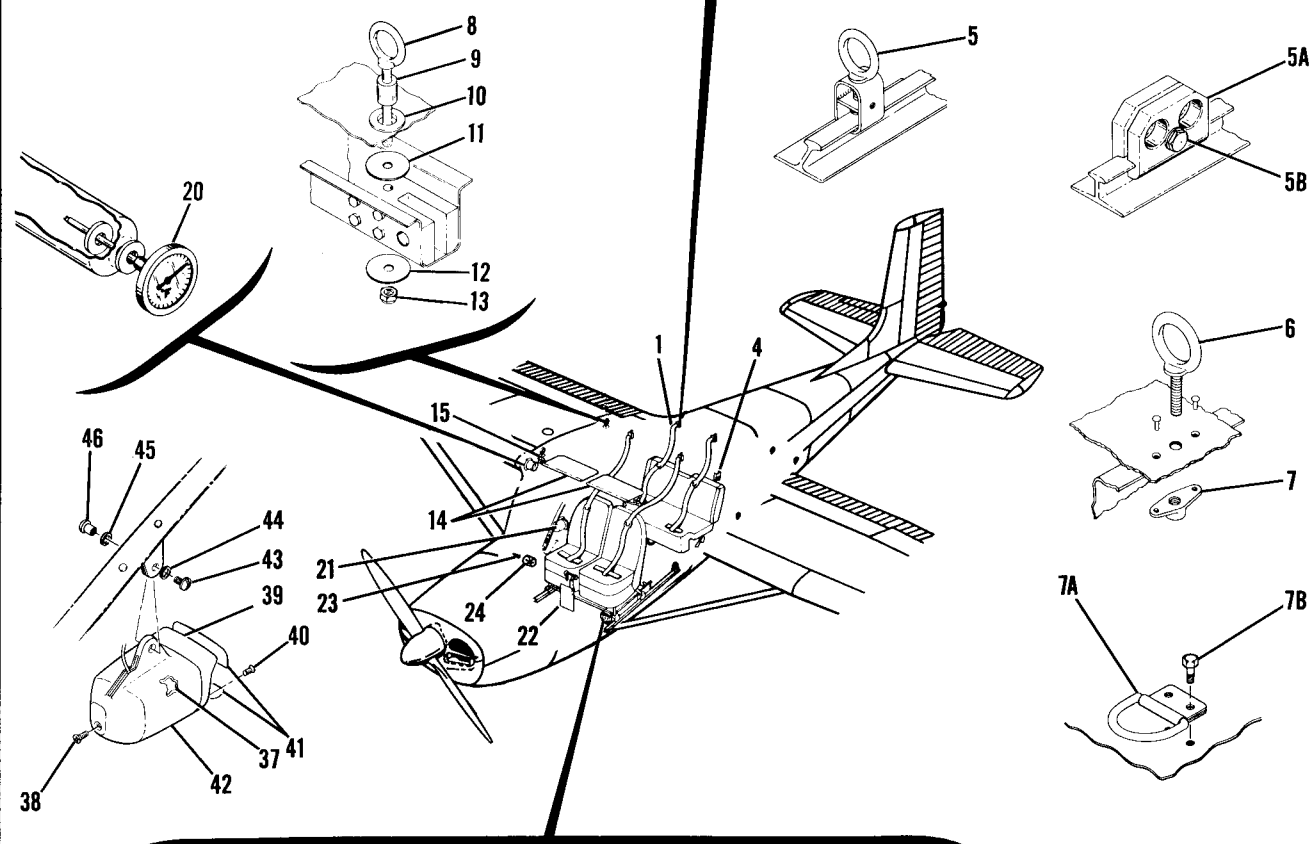
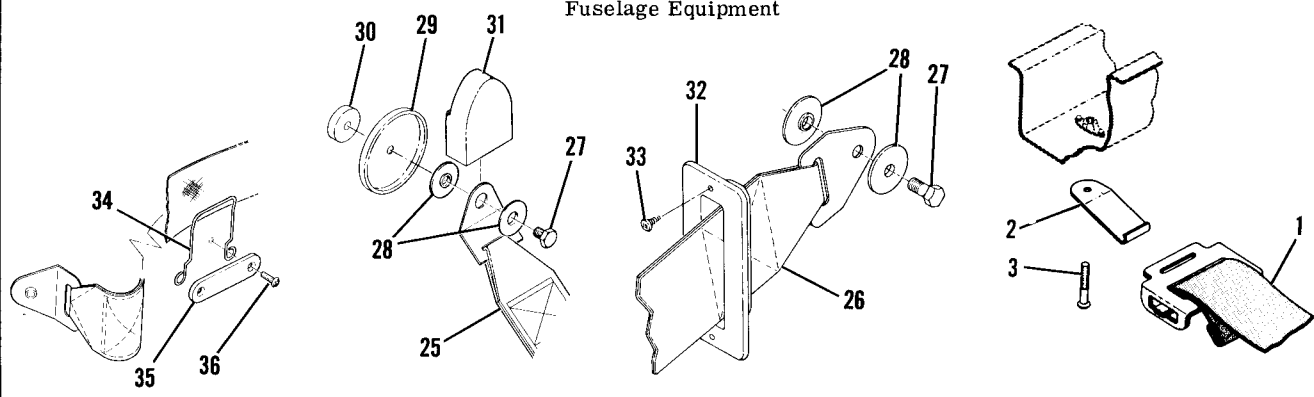


Figure 70. Fuselage Equipment Installation

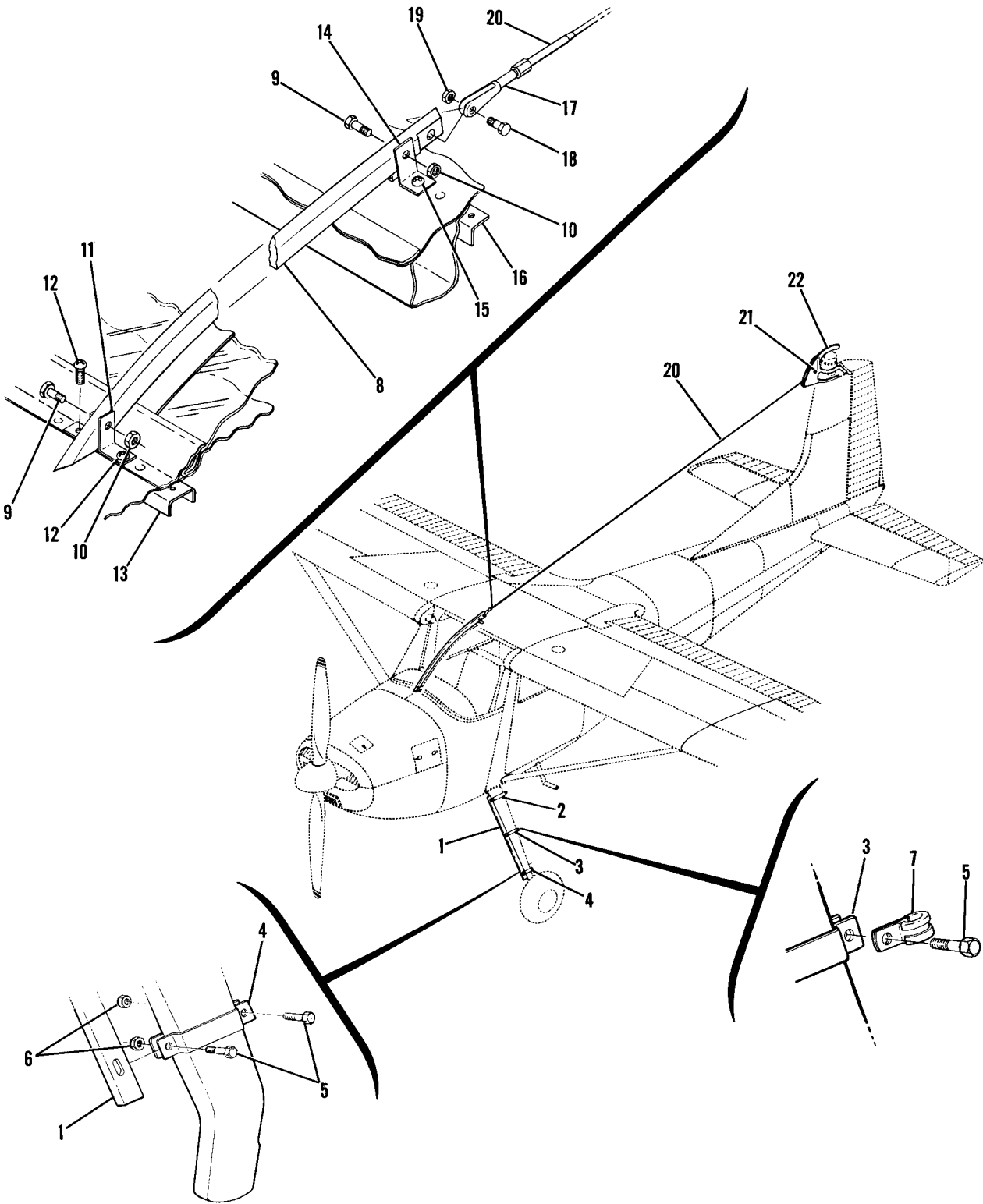
FIGURE AND INDEX NO.	PART NUMBER	DESCRIPTION	UNITS PER ASSY	USABLE ON CODE
70 -		FUSELAGE EQUIPMENT INSTALLATION -----	NP	
- 1	S2029-1	HARNES-shoulder -----	4	J
- 2	0511232-3	HOOK-SHOULDER HARNES -----	4	J
		ATTACHING PARTS -----		
- 3	NAS221-10	SCREW -----	1	J
		-----*		
- 4	10004-98	JACK POINT-UNIVERSAL -----	1	
- 5	0511166	SLIDE ASSEMBLY-TIE DOWN WHEN EXHAUSTED USE 0711121-2 -----	2	
	0711121-2	SLIDE ASSEMBLY-TIE DOWN -----	6	L
- 5A	1201039-1	TIE DOWN ASSEMBLY-SEAT RAIL -----	6	M
- 5B	AN4-7A	BOLT -----	1	M
	AN960-416	WASHER -----	1	M
- 6	0511165	RING-TIE DOWN -----	6	
		ATTACHING PARTS -----		
- 7	NAS680A4	NUTPLATE -----	6	
		-----*		
- 7A	S1939-1	CLIP & RING ASSEMBLY -----	2	Q
- 7B	AN3-4A	BOLT -----	4	Q
- 8	0541115-3	EYEBOLT-HOISTING -----	4	
- 9	0541115-2	SPACER -----	4	
-10	MS35489-17	GROMMET -----	4	
-11	0541115-4	PLATE -----	4	
-12	AN970-5	WASHER -----	4	L
	0541115-4	PLATE -----	4	M
-13	NAS679A5	NUT -----	4	
-14	1200116-2	VISOR-SUN RH -----	1	A
	1200116-1	VISOR-SUN LH -----	1	A
	0700122-1	VISOR-SUN LH -----	1	B
	0700122-2	VISOR-SUN RH -----	1	B
		ATTACHING PARTS -----		
-15	0713011-12	BRACKET -----	1	
	AN507-1032R14	SCREW -----	2	
		-----*		
-16	AN507-1032R14	DELETED -----	2	
-17	0800111-2	FIRE EXTINGUISHER & BRACKET -----	1	G
	CP2 3/4	FIRE EXTINGUISHER & BRACKET GFET ALTERNATE -----	1	G
		ATTACHING PARTS -----		
-18	S1485D4U	CLAMP -----	2	G
	S1485D8U	CLAMP -----	2	G
-19	S1021Z8-8	SCREW -----	4	G
		-----*		
-19A	C421001-0101	FIRE EXTINGUISHER -----	1	H
-19B	C421001-0102	BRACKET ASSEMBLY-FIRE EXTINGUISHER -----	1	H
		ATTACHING PARTS -----		
-19C	AN520-10R7	SCREW -----	4	H
		-----*		
-19D	0713945-11	BRACKET ASSEMBLY-FIRE EXTINGUISHER -----	1	H
		ATTACHING PARTS -----		
-19E	AN520-10R8	SCREW -----	4	H
		-----*		
-19F	NAS680A3	NUTPLATE -----	4	H
-19G	NAS696A3	NUTPLATE -----	4	H
-20	C668507-0101	GAGE-OUTSIDE AIR TEMP -----	1	
-21	C660501-0201	COMPASS ASSEMBLY -----	1	P
		ATTACHING PARTS -----		
	0713065	BRACKET -----	1	P
	AN515B632R12	SCREW -----	4	P
		-----*		
-22	0713227-2	LOCK-CONTROL -----	1	C
	0713237-3	LOCK-CONTROL -----	1	D
	0513385-3	LOCK-CONTROL -----	1	E
-23	0541162-1	VALVE-TUBELESS TIRE INFLATION -----	1	
	10004-101	EXPANDER ASSEMBLY-TIRE -----	1	
-24	2015009-3	CUP-FUEL SAMPLER SEE FIGURE 13A -----	1	
	2C15009-3	BAGGAGE NET -----	1	N
		BAGGAGE NET -----	2	Q
		ATTACHING PARTS -----		
	1211203-1	EYEBOLT ONLY 2 USED WITH LITTER DOOR INSTL -----	4	F
	0711083-1	LATCH ASSEMBLY USED WITH LITTER DOOR INSTL ONLY -----	2	F
		-----*		

CONTINUED ON NEXT PAGE

FIGURE AND INDEX NO.	PART NUMBER	DESCRIPTION							UNITS PER ASSY	USABLE ON CODE
		1	2	3	4	5	6	7		
70 -25	S2070W201	HARNESS ASSEMBLY-SHOULDER PILOT & COPILOT -----							2	K
	S2070W207	HARNESS ASSEMBLY-SHOULDER MIDDLE SEATS -----							2	K
-26	S2070W204	HARNESS ASSEMBLY-SHOULDER REAR SEAT -----							2	K
		ATTACHING PARTS								
-27	NAS464P4A10	BOLT PILOT & COPILOT SEATS ONLY -----							1	K
	NAS464P4A6	BOLT MIDDLE & REAR SEATS ONLY -----							1	K
-28	S2074-1	SPACER -----							2	K
-29	1215056-2	CUP PILOT, COPILOT & MIDDLE SEATS -----							1	K
-30	2C13131-1	SPACER PILOT, COPILOT & MIDDLE SEATS -----							1	K
		*-----								
-31	S2076-1	COVER-SHOULDER HARNESS PILOT, COPILOT & MIDDLE SEATS ----							4	K
-32	0712761-1	CUP-SHOULDER HARNESS REAR SEAT -----							2	K
		ATTACHING PARTS								
-33	S1021Z4-6	SCREW -----							2	K
		*-----								
-34	S2081-1	CLIP-HARNESS STOWAGE -----							6	K
-35	S2081-2	COVER-HARNESS CLIP -----							6	K
		ATTACHING PARTS								
-36	S1023A6-8C	SCREW -----							4	K
		*-----								
-37	C660501-0101	COMPASS -----							1	Q
		ATTACHING PARTS								
-38	AN507B832R14	SCREW -----							1	Q
		*-----								
-39	0413517-15	BEZEL-COMPASS -----							1	Q
		ATTACHING PARTS								
-40	AN510B4R8	SCREW -----							2	Q
		*-----								
-41	0400213-6	PLACARD SET-COMPASS CORRECTION -----							1	Q
-42	0413517-5	CUP -----							1	Q
		ATTACHING PARTS								
-43	D366	SCREW -----							1	Q
-44	AN960D10	WASHER -----							1	Q
-45	AN960D10L	WASHER -----							1	Q
-46	D4023X.375	POST-SCREW -----							1	Q
		*-----								
<p>NOTE. #THIS PART MUST HAVE A SECOND DASH NUMBER ADDED TO DENOTE COLOR. REFER TO HOW TO ORDER UPHOLSTERED PARTS-PAGE XII.</p>										
<p>A---SERIAL 185-0001 THRU 185-0512</p> <p>B---SERIAL 185-0513 & ON SERIAL 18051184 & ON</p> <p>C---SERIAL 185-0001 THRU 185-0776 SERIAL 18051184 THRU 18051445</p> <p>D---SERIAL 185-0777 THRU 185-0967 SERIAL 18051446 THRU 18051607</p> <p>E---SERIAL 185-0968 & ON SERIAL 18051608 & ON</p> <p>F---SERIAL 185-1150 & ON SERIAL 18051775 & ON</p> <p>G---SERIAL 185-0001 THRU 185-1599 SERIAL 18051184 THRU 18052103</p> <p>H---SERIAL 18501600 & ON SERIAL 18052104 & ON</p> <p>J---SERIAL 185-0001 THRU 18501832 SERIAL 18051184 THRU 18052175</p> <p>K---SERIAL 18501833 & ON SERIAL 18052176 & ON</p> <p>L---SERIAL 185-0001 THRU 18501934 SERIAL 18051184 THRU 18052221</p> <p>M---SERIAL 18501935 & ON SERIAL 18052222 & ON</p> <p>N---SERIAL 185-1150 THRU 18502090 SERIAL 18051175 THRU 18052284</p> <p>P---SERIAL 185-0001 THRU 18502090 SERIAL 18051184 THRU 18052284</p> <p>Q---SERIAL 18502091 & ON SERIAL 18052285 & ON</p>										

This page intentionally left blank.

Fuselage Equipment (Cont)

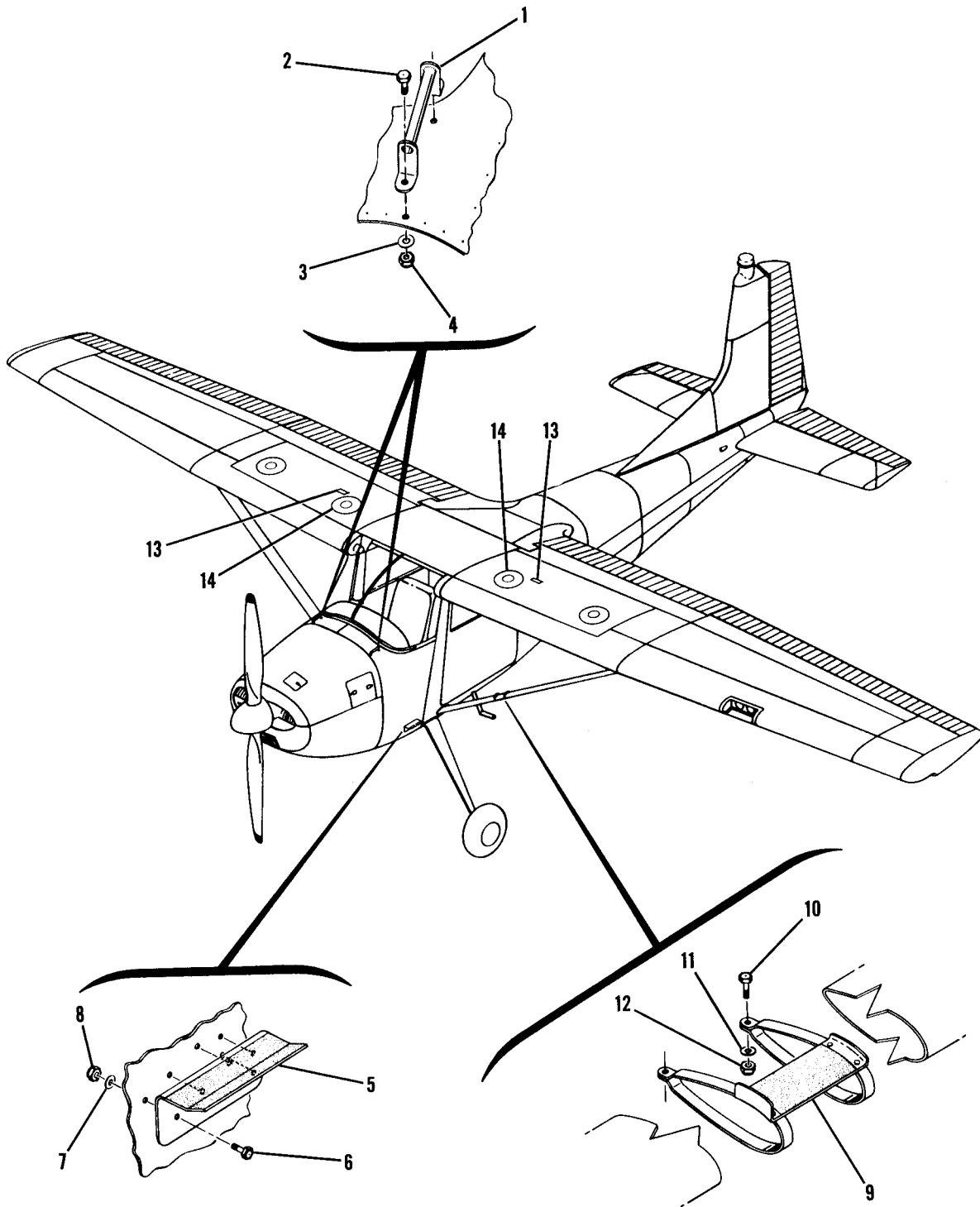


**AG CARRYALL
SERIAL 18501935 & ON**

Figure 70A. Wire Cutter & Cable Deflector Installation

FIGURE AND INDEX NO.	PART NUMBER	DESCRIPTION	UNITS PER ASSY	USABLE ON CODE
		1 2 3 4 5 6 7		
70A-		WIRE CUTTER & CABLE DEFLECTOR INSTALLATION -----	NP	A
- 1	1600069-2	CUTTER BLADE-MAIN GEAR LH -----	1	
	1600069-1	CUTTER BLADE-MAIN GEAR RH -----	1	
- 2	0741061-2	BRACKET-MAIN GEAR UPPER OUTBD LH & INBD RH -----	2	
	0741061-1	BRACKET-MAIN GEAR UPPER INBD LH & OUTBD RH -----	2	
- 3	0741061-4	BRACKET-MAIN GEAR CENTER OUTBD LH & INBD RH -----	2	
	0741061-3	BRACKET-MAIN GEAR CENTER INBD LH & OUTBD RH -----	2	
- 4	0741061-6	BRACKET-MAIN GEAR LOWER OUTBD LH & INBD RH -----	2	
	0741061-5	BRACKET-MAIN GEAR LOWER INBD LH & OUTBD RH -----	2	
		ATTACHING PARTS		
- 5	AN3-6A	BOLT -----	2	
- 6	MS21044N3	NUT -----	2	
		-----*		
- 7	MS21919D2	CLAMP-BRAKE LINE -----	2	
- 8	0713961-1	CUTTER BLADE-WINDSHIELD -----	1	
		ATTACHING PARTS		
- 9	AN3-10A	BOLT -----	2	
-10	MS21044N3	NUT -----	2	
		-----*		
-11	0713962-2	CLIP-BRACE -----	2	
		ATTACHING PARTS		
-12	NAS220-6	SCREW -----	1	
	NAS679A08	NUT -----	1	
		-----*		
-13	0713962-1	CHANNEL SUPPORT -----	1	
-14	0713962-3	CLIP-BRACE -----	2	
		ATTACHING PARTS		
-15	NAS220-6	SCREW -----	1	
	NAS679A08	NUT -----	1	
		-----*		
-16	0713962-4	ANGLE SUPPORT -----	1	
-17	AN665-34R	CLEVIS -----	1	
		ATTACHING PARTS		
-18	AN4-4A	BOLT -----	1	
-19	NAS679A4	NUT -----	1	
		-----*		
-20	1660300-40	CABLE ASSEMBLY-DEFLECTOR -----	1	
		ATTACHING PARTS		
-21	AN3-4A	BOLT -----	1	
	NAS679A4	NUT -----	1	
		-----*		
-22	0731608-1	SUPPORT-CABLE DEFLECTOR LH -----	1	
	0731608-2	SUPPORT-CABLE DEFLECTOR RH -----	1	
		ATTACHING PARTS		
	S1021210-8	SCREW -----	8	
	A8818-10Z1	NUT -----	8	
	NAS420D5-17	SPACER -----	3	
	NAS420D5-39	SPACER -----	2	
		-----*		
A---SERIAL 18501935 & ON AG CARRYALL				

Fuselage Equipment (Cont)



SERIAL 185-0986 & ON
SERIAL 18051640 & ON

Figure 70B. Auxiliary Refueling Equipment Installation

FIGURE AND INDEX NO.	PART NUMBER	DESCRIPTION	UNITS PER ASSY	USABLE ON CODE
70B-		1 2 3 4 5 6 7		
- 1	0713191-1	AUXILIARY REFUELING EQUIPMENT INSTALLATION -----	NP	A
- 2	AN3-4A	HANDLE ASSEMBLY -----	2	
- 3	AN3-3A	ATTACHING PARTS		
- 4	AN960D10L	BOLT-FRONT -----	1	
- 5	MS21044N3	BOLT-REAR -----	1	
- 6	0713194-1	WASHER -----	2	
- 7	0713194-2	NUT -----	2	
- 8	AN3-4A	-----*		
- 9	AN3-5A	STEP-FUSELAGE MOUNTED LH -----	1	
- 10	AN3-6A	STEP-FUSELAGE MOUNTED RH -----	1	
- 11	AN960D10L	ATTACHING PARTS		
- 12	AN960D10L	BOLT -----	4	D
- 13	MS21044N3	BOLT -----	3	E
- 14	MS21044N3	BOLT -----	2	E
		WASHER -----	2	E
		WASHER -----	4	D
		NUT -----	5	E
		NUT -----	4	D
		-----*	5	E
		STEP ASSEMBLY-STRUT MOUNTED LH -----	1	B
		STEP ASSEMBLY-STRUT MOUNTED LH -----	1	C
		STEP ASSEMBLY-STRUT MOUNTED RH -----	1	B
		STEP ASSEMBLY-STRUT MOUNTED RH -----	1	C
		ATTACHING PARTS		
		BOLT -----	2	
		WASHER -----	2	
		NUT -----	2	
		-----*		
		PLACARD-WING -----	2	
		CAP & ADAPTOR ASSEMBLY SEE FIGURE 13 -----	2	
		 A---SERIAL 185-0986 & ON SERIAL 18051640 & ON B---SERIAL 185-0986 & ON C---SERIAL 18051640 & ON D---SERIAL 185-0986 THRU 18502090 SERIAL 18051640 THRU 18052284 E---SERIAL 18502091 & ON SERIAL 18052285 & ON		

Propeller

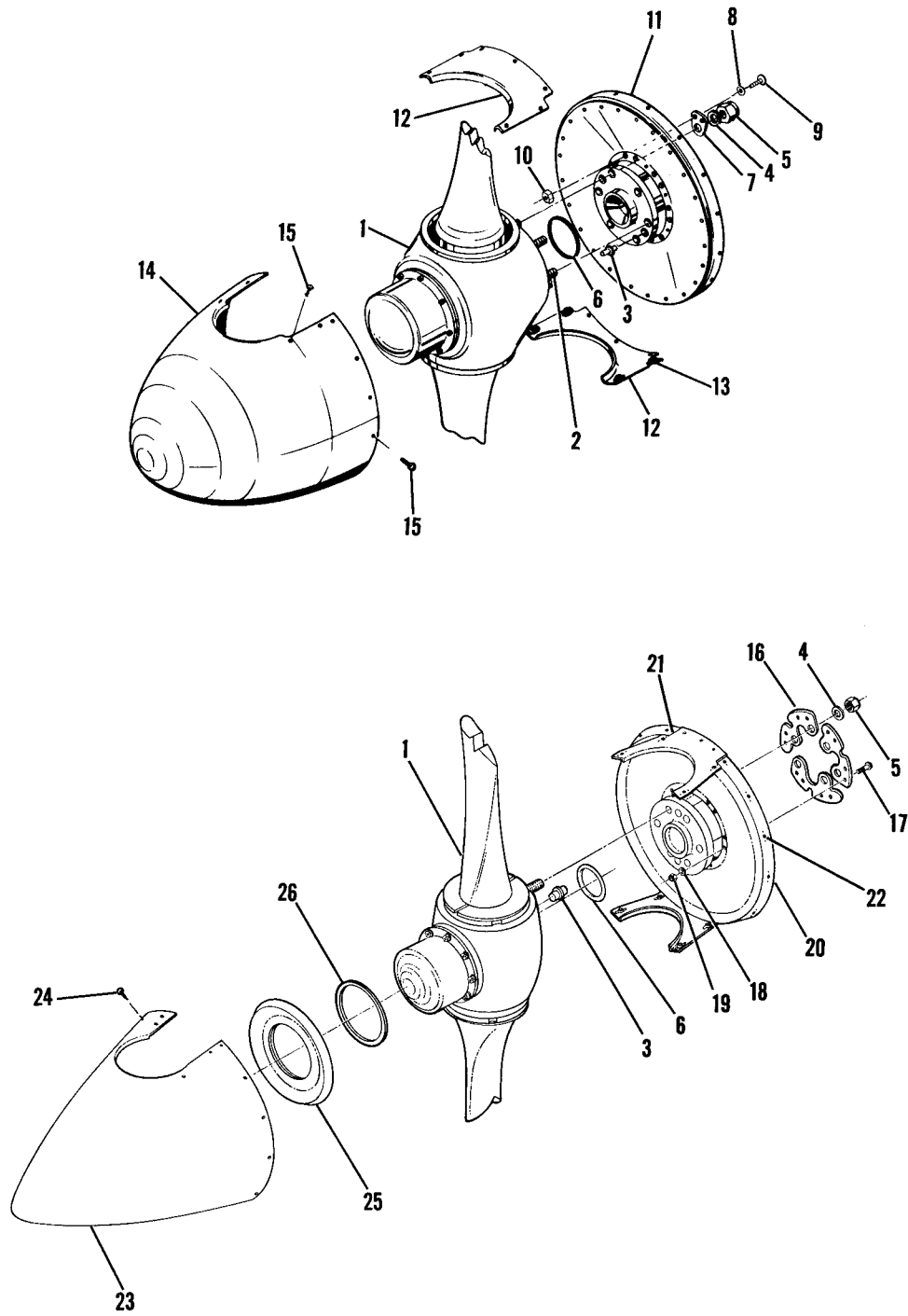


Figure 71. Propeller Installation

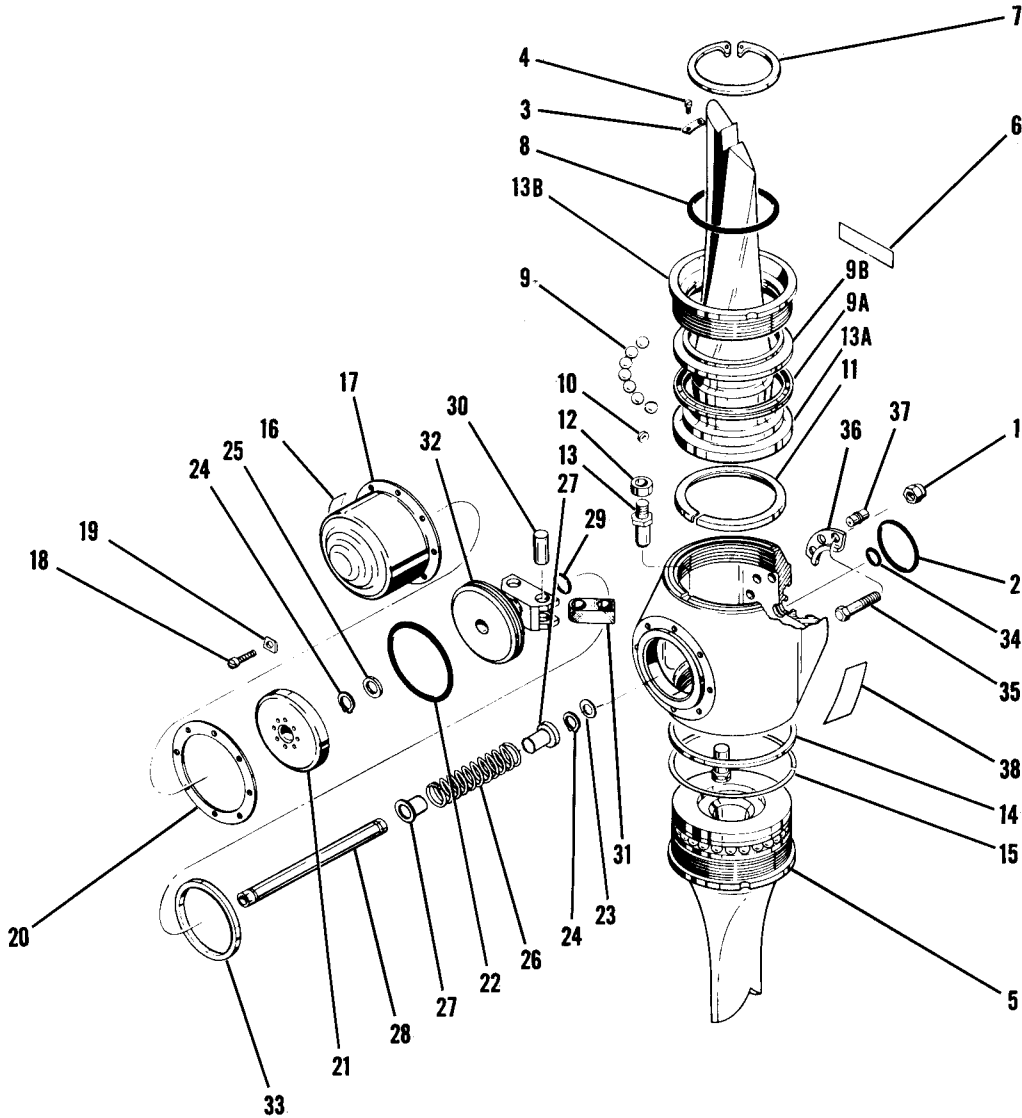
FIGURE AND INDEX NO.	PART NUMBER	DESCRIPTION	UNITS PER ASSY	USABLE ON CODE
1 2 3 4 5 6 7				
71 -		PROPELLER INSTALLATION -----	NP	
- 1	0752024-12	PROPELLER ASSEMBLY-MCCAULEY 2A34C50/90A-8 -----	1	A
	C161002-0202	SEE FIGURE 72A WHEN EXHAUSTED USE C161002-0202		
	C161002-0201	PROPELLER ASSEMBLY-MCCAULEY 2A34C50/90A-8 -----	1	L
	C161009-0101	SEE FIGURE 72A WHEN EXHAUSTED USE C161002-0201		
	0752024-15	PROPELLER ASSEMBLY-MCCAULEY 2A34C66/90AT-8 -----	1	P
	C161002-0203	SEE FIGURE 72A		
	C161002-0204	PROPELLER ASSEMBLY-MCCAULEY 2A34C201/90DA-8 -----	1	T
	C161009-0102	SEE FIGURE 73C		
	0752024-5	PROPELLER ASSEMBLY-MCCAULEY 2A34C50/90A-2 -----	1	C
	C161002-0204	SEE FIGURE 72A WHEN EXHAUSTED USE C161002-0203		
	C161009-0102	PROPELLER ASSEMBLY-MCCAULEY 2A34C50/90A-2 -----	1	M
	0752024-11	SEE FIGURE 72A WHEN EXHAUSTED USE C161002-0204		
	C161004-0105	PROPELLER ASSEMBLY-MCCAULEY 2A34C66/90AT-2 -----	1	Q
	C161004-0106	SEE FIGURE 72A		
	C161004-0107	PROPELLER ASSEMBLY-MCCAULEY 2A34C201/90DA-2 -----	1	U
		SEE FIGURE 73C		
		PROPELLER ASSEMBLY-MCCAULEY D2A36C33/90M-2 -----	1	D
		SEE FIGURE 72 WHEN EXHAUSTED USE C161004-0105		
		PROPELLER ASSEMBLY-MCCAULEY D2A34C49/90A-2 -----	1	E
		SEE FIGURE 72A WHEN EXHAUSTED USE C161004-0105		
		PROPELLER ASSEMBLY-MCCAULEY D2A34C49/90A-2 -----	1	R
		SEE FIGURE 72A		
		PROPELLER ASSEMBLY-MCCAULEY D2A34C58/90A-8 -----	1	F
		SEE FIGURE 72B		
		PROPELLER ASSEMBLY-MCCAULEY D2A34C58/90AT-4 -----	1	G
		SEE FIGURE 72B		
		ATTACHING PARTS		
- 2	A1561-2	* BOLT MCL -----	6	D
	B3099	* STUD MCL -----	6	H
- 3	A3047	* PIN-DOWEL MCL -----	2	
- 4	A1638-2	* WASHER MCL -----	6	N
- 5	A1639-2	* NUT MCL -----	6	
- 6	A1633-3	* O RING MCL -----	1	
		-----*		
		SPINNER INSTALLATION-PROPELLER -----	1	J
		ATTACHING PARTS		
- 7	0752005-4	LUG -----	6	
- 8	AN525-10R14	SCREW -----	12	
- 9	AN960PD10	WASHER -----	12	
- 10	MS21044N3	NUT -----	12	
		-----*		
- 11	0752004-6	BULKHEAD ASSEMBLY-SPINNER -----	1	N
	0752004-7	BULKHEAD ASSEMBLY-SPINNER -----	1	B
- 12	0752004-1	FILLET ASSEMBLY-SPINNER -----	2	
- 13	NAS680A3	NUTPLATE -----	4	
- 14	0752004-2	DOME-SPINNER -----	1	
		ATTACHING PARTS		
- 15	NAS221-8	SCREW -----	22	
		-----*		
		SPINNER INSTALLATION-PROPELLER -----	1	K
		ATTACHING PARTS		
- 16	0752043-1	LUG -----	3	
- 17	AN525-10R14	SCREW -----	12	
- 18	AN960PD10	WASHER -----	12	
- 19	MS21044N3	NUT -----	12	
		-----*		
- 20	0752041-1	BULKHEAD ASSEMBLY-SPINNER -----	1	S
	0752041-3	BULKHEAD ASSEMBLY-SPINNER -----	1	T
- 21	0752044-1	FILLET ASSEMBLY -----	2	S
	0752044-3	FILLET ASSEMBLY -----	1	T
	NAS697A3	NUTPLATE -----	4	
- 22	NAS680A3	NUTPLATE -----	14	
- 23	0752042-1	SPINNER ASSEMBLY -----	1	S
	0752042-5	SPINNER ASSEMBLY -----	1	T

CONTINUED ON NEXT PAGE

FIGURE AND INDEX NO.	PART NUMBER	DESCRIPTION	UNITS PER ASSY	USABLE ON CODE
71 -24 -25 -26	NAS221-8 1250412-1 0752620-1	<p style="text-align: center;">1 2 3 4 5 6 7</p> <p>SCREW ----- SUPPORT ----- SPACER -----</p> <p>NOTE. *THESE PARTS ARE PART OF THE PROPELLER ASSEMBLIES SHOWN ON FIG 72, 72A & 72B.</p> <p>A---SERIAL 18051184 THRU 18051761 B---SERIAL 185-0001 THRU 185-1149 C---SERIAL 180 AMPHIBIAN & 180 FLOATPLANE 18051184 THRU 18051761 D---SERIAL 185-0001 THRU 185-0512 E---SERIAL 185-0513 THRU 185-1109 260 HP F---SERIAL 185-0968 & ON 300 HP G---SERIAL 185 AMPHIBIAN & 185 FLOATPLANE 185-0968 & ON 300 HP H---SERIAL 185-0513 & ON J---SERIAL 18051184 THRU 18051774 SERIAL 185-0001 THRU 185-1149 K---SERIAL 18051775 & ON SERIAL 185-1150 & ON L---SERIAL 18051762 THRU 18051789 M---SERIAL 180 AMPHIBIAN & 180 FLOATPLANE 18051762 THRU 18051789 N---SERIAL 18051184 THRU 18051774 P---SERIAL 18051790 THRU 18052067 Q---SERIAL 180 AMPHIBIAN & 180 FLOATPLANE 18051790 THRU 18052067 R---SERIAL 185-1110 THRU 185-1149 260 HP S---SERIAL 18051775 THRU 18052067 SERIAL 185-1150 & ON T---SERIAL 18052068 & ON U---SERIAL 180 AMPHIBIAN & 180 FLOATPLANE 18052068 & ON</p>	1 1 AR	

This page intentionally left blank.

Propeller (Cont)



SERIAL 185-0001 THRU 185-0512

Figure 72. McCauley Propeller Assembly



FIGURE AND INDEX NO.	PART NUMBER	DESCRIPTION	UNITS	USABLE ON CODE
			PER ASSY	
72 -	0752024-5	PROPELLER ASSEMBLY-MODEL D2A36C33/90M-2 88 IN. DIA. MCL ----- WHEN EXHAUSTED USE C161004-0105 SEE FIGURE 72A	1	A
		ATTACHING PARTS		
- 1	A1639-2	NUT MCL -----	6	
- 2	A1633-3	PACKING-O RING MCL -----	1	
		*-----		
- 3	A2104	WEIGHT-BALANCE MCL -----	AR	
		ATTACHING PARTS		
- 4	A1635-16	SCREW-ATTACH ONE WEIGHT MCL -----	AR	
	A1635-17	SCREW-ATTACH TWO WEIGHTS MCL -----	AR	
	A1635-18	SCREW-ATTACH THREE WEIGHTS MCL -----	AR	
	A1635-19	SCREW-ATTACH FOUR WEIGHTS MCL -----	AR	
	A1635-21	SCREW-ATTACH FIVE WEIGHTS MCL -----	AR	
	A1635-22	SCREW-ATTACH SIX WEIGHTS MCL -----	AR	
		*-----		
- 5	D2341/90M2	BLADE ASSEMBLY-88 INCH DIA. MCL -----	2	
- 6	A1958	DECAL MCL -----	1	
- 7	A1636-6	RING-EXTERNAL RETAINING MCL -----	1	
- 8	A1633-13	PACKING-O RING MCL -----	1	
	C1587	BEARING-BLADE RETENTION MCL -----	1	
- 9	A1634-4	BALL BEARING MCL -----	22	
- 9A	C1587-1	RACE-INNER MCL -----	1	
- 9B	C1587-2	RACE-OUTER MCL -----	1	
-10	A1742	SEPERATOR-BALL MCL -----	22	
-11	B2289-1	SHIM-FERRULE 0.005 IN. MCL -----	AR	
	B2289-2	SHIM-FERRULE 0.010 IN. MCL -----	AR	
	B2289-3	SHIM-FERRULE 0.015 IN. MCL -----	AR	
-12	A1883	WASHER-ACTUATING PIN MCL -----	1	
-13	A1882	PIN-BLADE ACTUATING MCL -----	1	
-13A	C2464	FERRULE-BLADE RETENTION -----	1	
-13B	C2463	NUT-BLADE RETENTION -----	1	
-14	B3216	RING-RETENTION NUT LOCK MCL -----	2	
-15	A3217	SHIM-BALANCING MCL -----	2	
-16	A2356	DECAL-SPRING KIT INSTALLATION MCL -----	1	
-17	C1904	CYLINDER MCL -----	1	
		ATTACHING PARTS		
-18	A1635-65	SCREW MCL -----	8	
-19	A1638-9	WASHER MCL -----	8	
-20	A1938	GASKET-CYLINDER MCL -----	1	
		*-----		
-21	B1965	SUPPORT-SPACER MCL -----	1	
-22	A1633-12	PACKING- O RING MCL -----	1	
-23	A2351	WASHER-FIBER MCL -----	1	
-24	A1636-7	RING-EXTERNAL RETAINING MCL -----	2	
-25	A2108	SPACER STOCK-LOW PITCH PROP STOP MCL -----	AR	
-26	A3125	SPRING-LOW PITCH RETURN BOOST MCL -----	1	
-27	A3124	GUIDE-SPRING MCL -----	2	
-28	B2345	TUBE-PISTON ROD MCL -----	1	
-29	A1633-9	PACKING-O RING MCL -----	1	
	A1934	PISTON ASSEMBLY MCL -----	1	
-30	A1936	PIN-PISTON MCL -----	2	
-31	A1935	LINK-BLADE ACTUATING MCL -----	2	
-32	C1939	PISTON-BLADE ACTUATING MCL -----	1	
-33	A1937	SPACER STOCK-HIGH PITCH STOP MCL -----	AR	
-34	A1633-9	PACKING-O RING MCL -----	1	
	C2715	HUB ASSEMBLY MCL -----	1	
-35	A1561-2	BOLT-HUB MOUNTING MCL -----	4	
	A1561-4	BOLT-HUB MOUNTING 0.002 IN. OVERSIZE MCL -----	AR	
	A1561-6	BOLT-HUB MOUNTING 0.004 IN. OVERSIZE MCL -----	AR	
	A2713-2	BOLT-HUB MOUNTING MCL -----	2	
	A2713-4	BOLT-HUB MOUNTING 0.002 IN. OVERSIZE MCL -----	AR	
	A2713-6	BOLT-HUB MOUNTING 0.004 IN. OVERSIZE MCL -----	AR	
-36	A2714	WASHER-FLANGE MCL -----	3	
-37	A3047	DOWEL-HUB ALIGNMENT MCL -----	2	
	A3047-30	DOWEL-HUB ALIGNMENT 0.0015 IN. OVERSIZE MCL -----	AR	
	A3047-45	DOWEL-HUB ALIGNMENT 0.0030 IN. OVERSIZE MCL -----	AR	
-38	A2230	DECAL-PROP INSTALLATION INSTRUCTIONS MCL -----	1	
	S1433-2	DECAL-CESSNA -----	1	

NOTE. *FURNISHED IN 3-1/2 IN. STOCK LENGTHS.
PROPER THICKNESS TO BE DETERMINED &
CUT AT RE-ASSEMBLY.

A---SERIAL 185-0001 THRU 185-0512

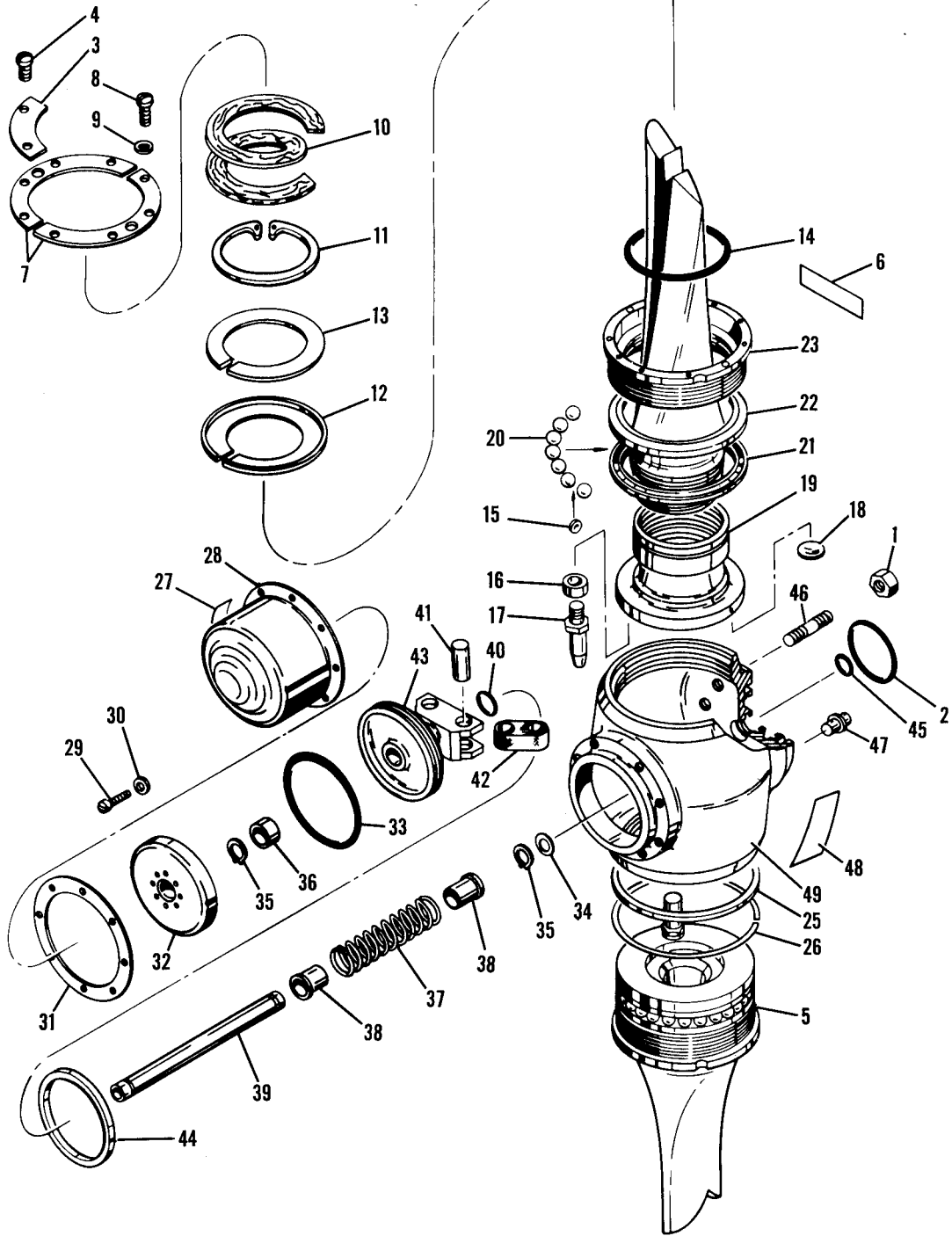
FIGURE AND INDEX NO.	PART NUMBER	DESCRIPTION						UNITS PER ASSY	USABLE ON CODE
		1	2	3	4	5	6		
72A-	0752024-12	PROPELLER ASSEMBLY-MCCAULEY 2A34C50/90A8 82 IN DIA -----						1	A
	C161002-0202	WHEN EXHAUSTED USE C161002-0202							
	C161002-0201	PROPELLER ASSEMBLY-MCCAULEY 2A34C50/90A8 82 IN DIA -----						1	D
	0752024-15	WHEN EXHAUSTED USE C161002-0201							
	C161002-0203	PROPELLER ASSEMBLY-MCCAULEY 2A34C66/90AT8 82 IN DIA -----						1	J
	C161002-0204	PROPELLER ASSEMBLY-MCCAULEY 2A34C50/90A2 88 IN DIA -----						1	C
	0752024-11	WHEN EXHAUSTED USE C161002-0203							
	C161004-0105	PROPELLER ASSEMBLY-MCCAULEY 2A34C50/90A2 88 IN DIA -----						1	F
		WHEN EXHAUSTED USE C161002-0204							
		PROPELLER ASSEMBLY-MCCAULEY 2A34C66/90AT2 88 IN DIA -----						1	K
		PROPELLER ASSEMBLY-MCCAULEY D2A34C49/90A2 88 IN DIA -----						1	B
		WHEN EXHAUSTED USE C161004-0105							
		PROPELLER ASSEMBLY-MCCAULEY D2A34C49/90A2 88 IN DIA -----						1	E
		ATTACHING PARTS							
- 1	A1639-2	NUT MCL -----						6	
- 2	A1633-3	PACKING-O RING MCL -----						1	
		---*---							
- 3	A2423	WEIGHT-BALANCE MCL -----						AR	
		ATTACHING PARTS							
- 4	A1635-16	SCREW-ATTACH ONE WEIGHT MCL -----						2	
	A1635-17	SCREW-ATTACH TWO WEIGHTS MCL -----						2	
	A1635-18	SCREW-ATTACH THREE WEIGHTS MCL -----						2	
	A1635-19	SCREW-ATTACH FOUR WEIGHTS MCL -----						2	
	A1635-21	SCREW-ATTACH FIVE WEIGHTS MCL -----						2	
	A1635-22	SCREW-ATTACH SIX WEIGHTS MCL -----						2	
		---*---							
- 5	D3108/90A8	BLADE ASSEMBLY MCL -----						1	G
	D3223/90AT8	BLADE ASSEMBLY MCL -----						1	J
	D3108/90A2	BLADE ASSEMBLY MCL -----						1	H
	D3223/90AT2	BLADE ASSEMBLY MCL -----						1	K
- 6	A1958	DECAL MCL -----						1	
- 7	B2417	PLATE-SPLIT COVER MCL -----						1	
		ATTACHING PARTS							
- 8	A1635-27	SCREW MCL -----						AR	
- 9	A1638-5	WASHER-FIBER MCL -----						AR	
		---*---							
-10	B2422-1	PACKING-FELT MCL -----						1	
-11	A1636-6	RING-EXTERNAL RETAINING MCL -----						1	
-12	B2420-4	SHIM-0.004 IN. MCL -----						AR	
	B2420-6	SHIM-0.006 IN. MCL -----						AR	
-13	B2421-8	SHIM-0.008 IN. MCL -----						AR	
	B2421-10	SHIM-0.010 IN. MCL -----						AR	
	B2421-12	SHIM-0.012 IN. MCL -----						AR	
	B2421-14	SHIM-0.014 IN. MCL -----						AR	
	B2421-16	SHIM-0.016 IN. MCL -----						AR	
	B2421-18	SHIM-0.018 IN. MCL -----						AR	
	B2421-20	SHIM-0.020 IN. MCL -----						AR	
-14	A1633-13	PACKING- O RING MCL -----						1	
-15	A3110	SEPARATOR-BALL MCL -----						30	
-16	A3100	WASHER-ACTUATING PIN MCL -----						1	
-17	A3149	PIN-BLADE ACTUATING MCL -----						1	
-18	A1580	PLUG-FERRULE STAKING MCL -----						1	
-19	C3054	FERRULE-BLADE RETENTION MCL -----						1	
	C2987	BEARING-BLADE RETENTION MCL -----						1	
-20	A1634-5	BALL BEARING MCL -----						30	
-21	C2987-1	RACE-INNER MCL -----						1	
-22	C2987-2	RACE-OUTER MCL -----						1	
-23	C3092	NUT-BLADE RETENTION MCL -----						1	
-24		DELETED, NOT PROCURABLE -----							
-25	B3216	RING-RETENTION NUT LOCK MCL -----						2	
-26	A3217	SHIM-BALANCING MCL -----						2	
-27	A2356	DECAL MCL -----						1	
-28	C1904	CYLINDER MCL -----						1	
		ATTACHING PARTS							
-29	A1635-65	SCREW MCL -----						8	
-30	A1638-9	WASHER-BRASS MCL -----						8	
-31	A1938	GASKET-CYLINDER MCL -----						1	
		---*---							
-32	B1965	SUPPORT-SPACER MCL -----						1	
-33	A1633-12	PACKING-O RING MCL -----						1	
-34	A2351	WASHER-FIBER MCL -----						1	
-35	A1636-7	RING-EXTERNAL RETAINING MCL -----						2	
-36	A2108	SPACER STOCK-LOW PITCH STOP MCL -----						AR	

CONTINUED ON NEXT PAGE

FIGURE AND INDEX NO.	PART NUMBER	DESCRIPTION	UNITS PER ASSY	USABLE ON CODE
72A-37	A3125	SPRING-LOW PITCH RETURN BOOST MCL -----	1	
-38	A3124	GUIDE-SPRING MCL -----	2	
-39	B2345	TUBE-PISTON ROD MCL -----	1	
-40	A1633-9	PACKING- O RING MCL -----	1	
	A1934	PISTON ASSEMBLY MCL -----	1	
-41	A1936	PIN-PISTON MCL -----	2	
-42	A1935	LINK-BLADE ACTUATING MCL -----	2	
-43	C1939	PISTON-BLADE ACTUATING MCL -----	1	
-44	A1937	* SPACER STOCK-HIGH PITCH STOP MCL -----	AR	
-45	A1633-9	PACKING- O RING MCL -----	1	
	C3105	HUB ASSEMBLY MCL -----	1	M
	C3103	HUB ASSEMBLY MCL -----	1	L
-46	B3099	STUD-HUB MOUNTING MCL -----	6	
-47	A3047	DOWEL-HUB ALIGNMENT MCL -----	2	
	A3047-30	DOWEL-HUB ALIGNMENT 0.0015 IN. OVERSIZE MCL -----	AR	
	A3047-45	DOWEL-HUB ALIGNMENT 0.0030 IN. OVERSIZE MCL -----	AR	
-48	A2230	DECAL-PROP INSTALLATION INSTRUCTIONS MCL -----	1	
-49	D3102	HUB-PROPELLER MCL -----	1	M
	D3098	HUB-PROPELLER MCL -----	1	L
<p>NOTE. *FURNISHED IN 3-1/2 IN. STOCK LENGTHS. PROPER THICKNESS TO BE DETERMINED AND CUT AT RE-ASSEMBLY.</p> <p>A---SERIAL 18051184 THRU 18051761 B---SERIAL 185-0513 THRU 185-1109 260 HP C---SERIAL 180 FLOATPLANE & AMPHIBIAN 18051184 THRU 18051761 D---SERIAL 18051762 THRU 18051789 E---SERIAL 185-1109 THRU 185-1149 260 HP F---SERIAL 180 FLOATPLANE & AMPHIBIAN 18051762 THRU 18051789 G---SERIAL 18051184 THRU 18051789 H---SERIAL 185-0513 THRU 185-1149 260 HP SERIAL 180 FLOATPLANE & AMPHIBIAN 18051184 THRU 18051789 J---SERIAL 18051790 THRU 18052067 K---SERIAL 180 FLOATPLANE & AMPHIBIAN 18051790 THRU 18052067 L---SERIAL 185-0513 THRU 185-1149 260 HP M---SERIAL 18051184 THRU 18052067 SERIAL 180 FLOATPLANE & AMPHIBIAN 18051184 THRU 18052067</p>				

FIGURE AND INDEX NO.	PART NUMBER	DESCRIPTION	UNITS PER ASSY	USABLE ON CODE
		1 2 3 4 5 6 7		
728-	C161004-0106	PROPELLER ASSEMBLY-MCCAULEY D2A34C58/90AT-8 82 IN DIA -	1	A
	C161004-0107	PROPELLER ASSEMBLY-MCCAULEY D2A34C58/90AT-4 86 IN DIA -	1	B
		ATTACHING PARTS		
- 1	A1639-2	NUT MCL -----	6	
- 2	A1633-3	PACKING-O RING MCL -----	1	
		*-----		
- 3	A2423	WEIGHT-BALANCE MCL -----	AR	
		ATTACHING PARTS		
- 4	A1635-16	SCREW-ATTACH ONE WEIGHT MCL -----	2	
	A1635-17	SCREW-ATTACH TWO WEIGHT MCL -----	2	
	A1635-18	SCREW-ATTACH THREE WEIGHTS MCL -----	2	
	A1635-19	SCREW-ATTACH FOUR WEIGHTS MCL -----	2	
	A1635-21	SCREW-ATTACH FIVE WEIGHTS MCL -----	2	
	A1635-22	SCREW-ATTACH SIX WEIGHTS MCL -----	2	
		*-----		
CONTINUED ON NEXT PAGE				

Propeller (Cont)



SERIAL 185-0968 & ON (300 HP)

Figure 72B. McCauley Propeller Assembly

FIGURE AND INDEX NO.	PART NUMBER	DESCRIPTION	UNITS PER ASSY	USABLE ON CODE
		1 2 3 4 5 6 7		
72B- 5	D3223/90AT8	BLADE ASSEMBLY MCL	2	A
	D3223/90AT4	BLADE ASSEMBLY MCL	2	B
- 6	A1958	DECAL MCL	1	
- 7	B2417	PLATE-SPLIT COVER MCL	1	
		ATTACHING PARTS		
- 8	A1635-27	SCREW MCL	AR	
- 9	A1638-5	WASHER-FIBER MCL	AR	
		*---		
-10	B2422-1	PACKING-FELT MCL	1	
-11	A1636-6	RING-EXTERNAL RETAINING MCL	1	
-12	B2420-4	SHIM-0.004 IN MCL	AR	
	B2420-6	SHIM-0.006 IN MCL	AR	
-13	B2421-8	SHIM-0.008 IN MCL	AR	
	B2421-10	SHIM-0.010 IN MCL	AR	
	B2421-12	SHIM-0.012 IN MCL	AR	
	B2421-14	SHIM-0.014 IN MCL	AR	
	B2421-16	SHIM-0.016 IN MCL	AR	
	B2421-18	SHIM-0.018 IN MCL	AR	
	B2421-20	SHIM-0.020 IN MCL	AR	
-14	A1633-13	PACKING-O RING MCL	1	
-15	A3110	SEPARATOR-BALL MCL	30	
-16	A3100	WASHER-ACTUATING PIN MCL	1	
-17	A3149	PIN-BLADE ACTUATING MCL	1	
-18	A1580	PLUG-FERRULE STAKING MCL	1	
-19	C3054	FERRULE-BLADE RETENTION MCL	1	
	C2987	BEARING-BLADE RETENTION MCL	1	
-20	A1634-5	BALL BEARING MCL	30	
-21	C2987-1	RACE-INNER MCL	1	
-22	C2987-2	RACE-OUTER MCL	1	
-23	C3092	NUT-BLADE RETENTION MCL	1	
-24		DELETED-NOT PROCURABLE		
-25	B3216	RING-RETENTION NUT LOCK MCL	2	
-26	A3217	SHIM-BALANCING MCL	2	
-27	A2356	DECAL MCL	1	
-28	C1904	CYLINDER MCL	1	
		ATTACHING PARTS		
-29	A1635-65	SCREW MCL	8	
-30	A1638-9	WASHER-BRASS MCL	8	
-31	A1938	GASKET-CYLINDER MCL	1	
		*---		
-32	B1965	SUPPORT-SPACER MCL	1	
-33	A1633-12	PACKING-O RING MCL	1	
-34	A2351	WASHER-FIBER MCL	1	
-35	A1636-7	RING-EXTERNAL RETAINING MCL	2	
-36	A2108	SPACER STOCK-LOW PITCH STOP MCL	AR	
-37	A3125	SPRING-LOW PITCH RETURN BOOST MCL	1	
-38	A3124	GUIDE-SPRING MCL	2	
-39	B2345	TUBE-PISTON ROD MCL	1	
-40	A1633-9	PACKING-O RING MCL	1	
	A1934	PISTON ASSEMBLY MCL	1	
-41	A1936	PIN-PISTON MCL	2	
-42	A1935	LINK-BLADE ACTUATING MCL	2	
-43	C1939	PISTON-BLADE ACTUATING MCL	1	
-44	A1937	SPACER STOCK-HIGH PITCH STOP MCL	AR	
-45	A1633-9	PACKING-O RING MCL	1	
	C3103	HUB ASSEMBLY MCL	1	
-46	B3099	STUD-HUB MOUNTING MCL	6	
-47	A3047	DOWEL-HUB ALIGNMENT MCL	2	
	A3047-30	DOWEL-HUB ALIGNMENT 0.0015 IN OVERSIZE MCL	AR	
	A3047-45	DOWEL-HUB ALIGNMENT 0.0030 IN OVERSIZE MCL	AR	
-48	A2230	DECAL-PROP INSTALLATION INSTRUCTIONS MCL	1	
-49	D3098	HUB-PROPELLER MCL	1	

NOTE. *FURNISHED IN 3-1/2 IN STOCK LENGTHS. PROPER THICKNESS TO BE DETERMINED AND CUT AT REASSEMBLY.

A---SERIAL 185-0968 & ON 300 HP
 B---SERIAL 185 FLOATPLANE & AMPHIBIAN
 185-0968 & ON 300 HP



FIGURE AND INDEX NO.	PART NUMBER	DESCRIPTION	UNITS PER ASSY	USABLE ON CODE
		1 2 3 4 5 6 7		
72C-	C161009-0101	PROPELLER ASSEMBLY-MCCAULEY 2A34C201/90DA-8	1	A
	C161009-0102	PROPELLER ASSEMBLY-MCCAULEY 2A34C201/90DA-2	1	B
- 1	C3910	HUB ASSEMBLY MCL	1	
		ATTACHING PARTS		
- 2	A1639-2	NUT-HUB MOUNTING MCL	6	
- 3	A1638-2	WASHER MCL	6	
		*---		
- 4	B3920	STUD MCL	6	
- 5	A2230	PLACARD MCL	1	
- 6	A4001	DOWEL-HUB ALIGNMENT MCL	2	
- 7	A1633-3	O RING MCL	1	
- 8	A3906	WEIGHT-BALANCE MCL	AR	
- 9	A1635-36	SCREW ATTACH ONE WEIGHT MCL	2	
	A1635-37	SCREW ATTACH TWO WEIGHTS MCL	2	
	A1635-40	SCREW ATTACH THREE WEIGHTS MCL	2	
	A1635-67	SCREW ATTACH FOUR WEIGHTS MCL	2	
	A1635-56	SCREW ATTACH FIVE WEIGHTS MCL	2	
	A1635-68	SCREW ATTACH SIX WEIGHTS MCL	2	
-10	A1639-23	NUT MCL	2	
-11	B3908	BRACKET-BALANCE WEIGHT USE WITH A3906 ONLY MCL	AR	
-12	B4016	GASKET MCL	AR	
-13	C3901	CYLINDER MCL	1	
		ATTACHING PARTS		
-14	A1635-65	SCREW MCL	14	
-15	A1638-9	WASHER NOT USED WITH WEIGHT BRACKETS MCL	AR	
-16	B3857	GASKET-CYLINDER MCL	1	
		*---		
-17	A2356	PLACARD MCL	1	
-18	B3526	SUPPORT-SPACER MCL	1	
-19	A1636-7	RING-RETAINING MCL	2	
-20	A2108	SPACER-LOW PITCH STOP MCL	1	
-21	A1633-12	O RING MCL	1	
-22	C3418	PISTON-BLADE ACTUATING MCL	1	
-23	B3414	PIN-PISTON ROD MCL	2	
-24	A3150-5	ROLL PIN MCL	2	
-25	A3902	LINK-BLADE ACTUATOR MCL	2	
-26	B3905	ACTUATING PIN & BASE ASSEMBLY MCL	2	
		ATTACHING PARTS		
-27	A1635-66	CAP SCREW MCL	2	
		*---		
-28	A1633-9	O RING MCL	2	
-29	A1937	SPACER-HIGH PITCH STOP MCL	1	
-30	B2345	TUBE-PISTON ROD MCL	1	
-31	A3124	GUIDE-SPRING MCL	2	
-32	A3125	SPRING-PITCH RETURN MCL	1	
-33	A2351	WASHER-FIBER MCL	1	
-34	B4024	NUT-LOCK MCL	2	
-35	B4023	NUT-BLADE MCL	2	
-36	B4022	RING-BLADE MCL	2	
-37	B4017	SHIM MCL	2	
-38	C3411-2	RACE-OUTER MCL	2	
-39	A1634-6	BALL BEARING MCL	80	
-40	B4014	SEPERATOR-BALL MCL	80	
-41	C3411-1	RACE-INNER MCL	1	
-42	C3903	RETAINER-SPLIT MATCHED SET MCL	2	
-43	A1633-37	O RING MCL	2	
-44	90DA-8	BLADE MCL	2	A
	90DA-2	BLADE MCL	2	B

A---SERIAL 18052068 & ON
 B---SERIAL 180 FLOATPLANE & AMPHIBIAN 18052068 & ON

This page intentionally left blank.

FIGURE AND INDEX NO.	PART NUMBER	DESCRIPTION	UNITS PER ASSY							USABLE ON CODE
			1	2	3	4	5	6	7	
73 -		COWL INSTALLATION-ENGINE -----							NP	AS
- 1	0752031-201	COWL ASSEMBLY-UPPER -----							1	L
	0752031-205	COWL ASSEMBLY-UPPER -----							1	AA
	0752031-208	COWL ASSEMBLY-UPPER -----							1	AB
- 2	0752031-19	STRIP-PARTING LH -----							1	
	0752031-20	STRIP-PARTING RH -----							1	
- 3	4002-244-16	RECEPTACLE CLC -----							9	
	0752031-24	SKIN ASSEMBLY-UPPER -----							1	M
	0752031-50	SKIN ASSEMBLY-UPPER -----							1	N
- 4	0752031-26	ANGLE-UPPER COWL -----							2	
- 5	0752000-64	SPACER-LATCH -----							3	M
- 6	0752031-22	STRIP-SPLICE -----							1	
- 7	CM2791	SNAP RING CLC -----							10	
	4002H	GROMMET CLC -----							10	
	4002-4	STUD-SLOTTED HEAD CLC -----							10	
	40S5-4	STUD-PHILLIPS HEAD CLC -----							10	
- 8	0752000-56	DOOR ASSEMBLY-OIL -----							1	M
	0752626-1	DOOR ASSEMBLY-OIL -----							1	N
- 9	S1188-1	LATCH-DOOR -----							1	M
	KM610-64	LATCH-DOOR -----							1	N
-10	MS24665-134	PIN-COTTER -----							1	N
-11	0752000-117	HINGE-DOOR -----							1	
-11A	0752627-1	SPRING-OIL FILLER DOOR ASSIST -----							1	N
	0752031-51	LATCH PLATE-OIL FILLER DOOR -----							1	N
-12	0752031-29	NOSE CAP ASSEMBLY-UPPER COWL WHEN EXHAUSTED -----							1	C
		USE 0752031-200								
	0752031-200	NOSE CAP ASSEMBLY-UPPER COWL -----							1	D
	0752031-206	NOSE CAP ASSEMBLY-UPPER COWL -----							1	AB
-13	0752030-9	DOUBLER-CAP SPLICE LH -----							1	
	0752030-8	DOUBLER-CAP SPLICE RH -----							1	
-14	0752019-10	STRAP-REINFORCING -----							1	
	0752019-11	STRAP-REINFORCING -----							1	
-15	0752032-1	RECEPTACLE -----							2	AF
	0752032-1	RECEPTACLE LH SIDE ONLY -----							1	AB
	S5A200	SPRING DZ RH SIDE ONLY -----							1	AB
-16	0752031-37	COWL ASSEMBLY-LOWER LESS FLAPS & DOORS WHEN EXHAUSTED USE 0752031-204 -----							1	C
	0752031-204	COWL ASSEMBLY-LOWER LESS FLAPS & DOORS -----							1	E
	0752031-210	COWL ASSEMBLY-LOWER LESS FLAPS & DOORS -----							1	AC
	0752031-211	COWL ASSEMBLY-LOWER LESS FLAPS & DOORS -----							1	V
	0752031-212	COWL ASSEMBLY-LOWER LESS FLAPS & DOORS -----							1	AL
	0752031-203	COWL ASSEMBLY-LOWER LESS FLAPS & DOORS -----							1	AD
	0752031-209	COWL ASSEMBLY-LOWER LESS FLAPS & DOORS -----							1	AE
-17	0752015-10	DOUBLER-LOWER NOSE CAP -----							1	
-18	0752015-31	DOUBLER-COWL SPLICE LOWER LH -----							2	
-19	0752015-19	BRACKET-HINGE LH -----							1	
-20	0752015-39	BRACKET-HINGE RH -----							1	
-21	0752015-21	BRACKET-HINGE LH -----							1	
-22	0752015-22	BRACKET-HINGE RH -----							1	
-23	0752022-1	STIFFENER -----							1	
-24	0752031-7	SKIN ASSEMBLY-LOWER COWL SIDE LH -----							1	
-25	0752031-8	SKIN ASSEMBLY-LOWER COWL SIDE RH -----							1	
-26	0752031-16	DOUBLER-AFT RH -----							1	
	0752031-15	DOUBLER-AFT LH WHEN EXHAUSTED USE 0752031-56 -----							1	S
	0752031-56	DOUBLER-AFT LH -----							1	T
-27	0752031-18	DOUBLER-LOWER PARTING RH -----							1	
	0752031-17	DOUBLER-LOWER PARTING LH -----							1	
-28	0752031-9	SKIN ASSEMBLY-LOWER COWL CENTER -----							1	F
	0752031-36	SKIN ASSEMBLY-LOWER COWL CENTER -----							1	G
-29	0752015-23	DOUBLER-STRUT OPENING -----							1	
-30	CM2791	SNAP RING LOWER REAR SIDE -----							8	
	4002H	GROMMET CLC LOWER REAR SIDE -----							8	
	4002-4	STUD-SLOTTED HEAD CLC LOWER REAR SIDE -----							8	
	40S5-4	STUD-PHILLIPS HEAD CLC LOWER REAR SIDE -----							8	
-31	CM2791	SNAP RING BOTTOM -----							2	
	4002G	GROMMET CLC BOTTOM -----							2	
	4002-3	STUD-SLOTTED HEAD CLC BOTTOM -----							2	
	40S5-3	STUD-PHILLIPS HEAD CLC BOTTOM -----							2	
-32	CM2791	SNAP RING LOWER PARTING -----							9	
	4002H	GROMMET CLC LOWER PARTING -----							9	
	4002-4	STUD-SLOTTED HEAD CLC LOWER PARTING -----							9	
	40S5-4	STUD-PHILLIPS HEAD CLC LOWER PARTING -----							9	

CONTINUED ON NEXT PAGE

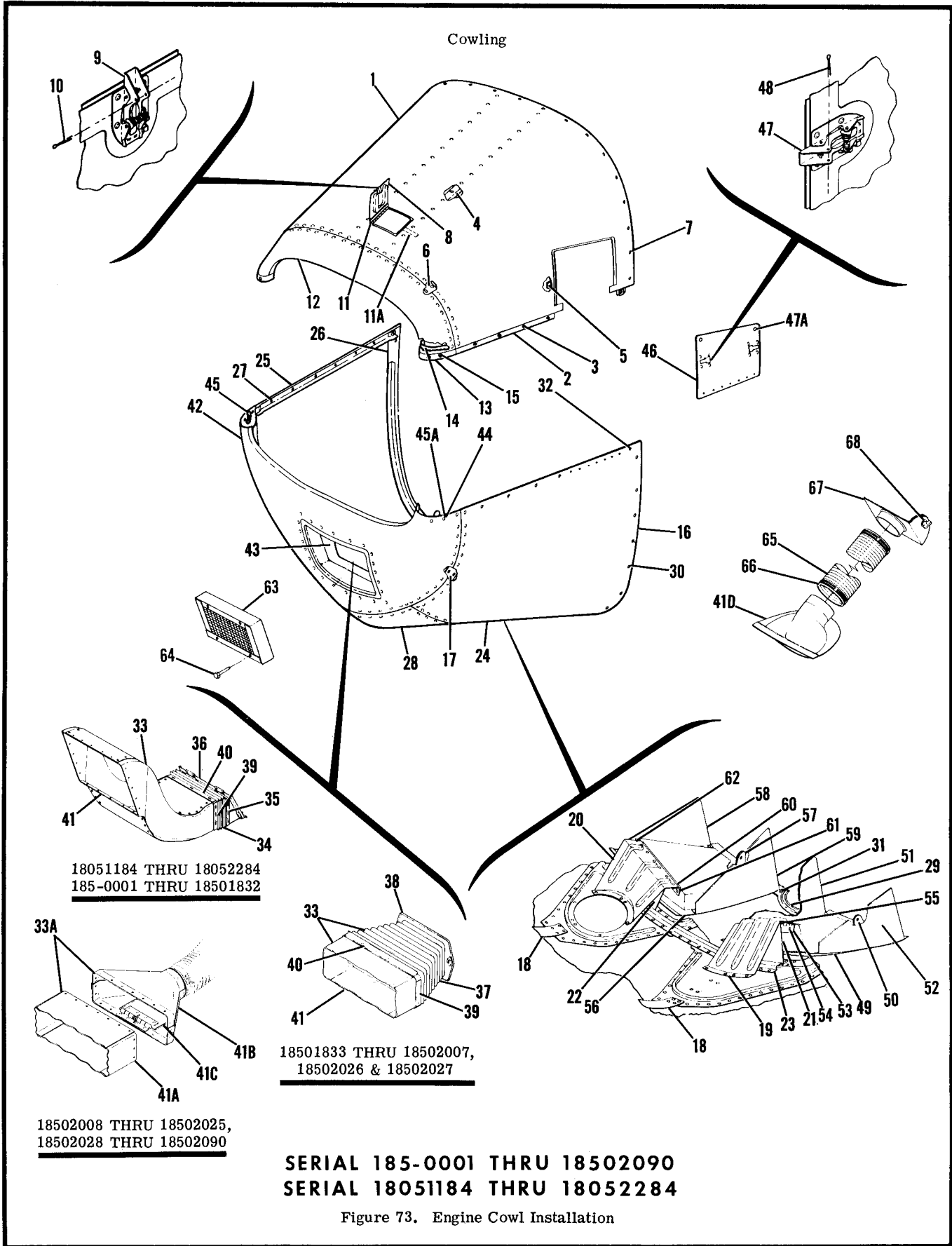


FIGURE AND INDEX NO.	PART NUMBER	DESCRIPTION	UNITS PER ASSY	USABLE ON CODE
73 -33	0752018-8	DUCT ASSEMBLY-CARBURETOR AIR INTAKE -----	1	F
	0752018-200	DUCT ASSEMBLY-CARBURETOR AIR INTAKE -----	1	U
	0752018-9	DUCT ASSEMBLY-CARBURETOR AIR INTAKE -----	1	V
-33A	0752018-18	DUCT ASSEMBLY-CARBURETOR AIR INTAKE -----	1	AM
	0752018-23	DUCT ASSEMBLY-CARBURETOR AIR INTAKE -----	1	AN
-34	0752016-13	EXPANDER ASSEMBLY -----	1	U
	0752016-12	EXPANDER ASSEMBLY WEU 0752016-14 -----	1	F
	0752016-6	BOOT-EXPANDER -----	1	U
	0752016-7	BOOT-EXPANDER -----	1	F
	0752016-10	SEAL-TOP & BOTTOM -----	2	
	0752016-11	SEAL-SIDE -----	2	
	S1853-3	RECEPTACLE -----	2	
	0752021-1	CLIP -----	2	
-35	0752023-1	STRIP-SIDE -----	2	
-36	0752023-3	STRIP-TOP & BOTTOM -----	2	W
	0752023-5	STRIP-TOP & BOTTOM -----	2	X
	0752047-1	STIFFENER-TOP -----	1	X
-37	0750192-2	EXPANDER BOOT WEU 07520192-3 -----	1	AJ
	0750192-3	EXPANDER BOOT -----	1	AK
-38	1650021-2	RETAINER ASSEMBLY -----	1	V
-39	0752023-1	STRIP-SIDE -----	2	
-40	0752023-3	STRIP-TOP & BOTTOM -----	2	Y
	0752023-4	STRIP-TOP & BOTTOM -----	2	Z
-41	0752018-10	DUCT SUB ASSEMBLY -----	1	
-41A	0752018-13	DUCT SUB ASSEMBLY -----	1	AM
	0752018-22	DUCT SUB ASSEMBLY -----	1	AN
-41B	1652013-28	DUCT ADAPTOR ASSEMBLY -----	1	AL
-41C	1652013-25	DOOR ASSEMBLY -----	1	AL
-41D	0752035-1	SCOOP-PUMP COOLING -----	1	G
	AN960-4L	WASHER -----	12	G
-42	0752031-30	NOSE CAP ASSEMBLY-LOWER WHEN EXHAUSTED USE 0752031-202- -----	1	C
	0752031-202	NOSE CAP ASSEMBLY-LOWER -----	1	D
	0752031-207	NOSE CAP ASSEMBLY-LOWER -----	1	AQ
	0752030-15	NOSE CAP ASSEMBLY-LOWER -----	1	AN
-43	0752020-1	MOUNT ASSEMBLY-FILTER -----	1	AR
	0752020-3	MOUNT ASSEMBLY-FILTER -----	1	AN
-44	CM2791	SNAP RING CLC -----	2	AF
	4002H	GROMMET CLC -----	2	AF
	4002-4	STUD-SLOTTED HEAD CLC -----	2	AF
	40S5-4	STUD-SLOTTED HEAD CLC -----	2	AF
	CM2791	SNAP RING CLC LH SIDE ONLY -----	1	AQ
	4002H	GROMMET CLC LH SIDE ONLY -----	1	AQ
	40S5-4	STUD-PHILLIPS HEAD CLC LH SIDE ONLY -----	1	AQ
	GA5-375	GROMMET DZ RH SIDE ONLY -----	1	AQ
	A5-35PR	STUD DZ RH SIDE ONLY -----	1	AQ
-45	0752013-2	CLIP-COWL NOSE RH -----	1	
	0752013-1	CLIP-COWL NOSE LH -----	1	
-45A	CM2791	SNAP RING CLC LH SIDE ONLY -----	1	AN
	4002H	GROMMET CLC LH SIDE ONLY -----	1	AN
	40S5-4	STUD CLC LH SIDE ONLY -----	1	AN
	GA5-375	GROMMET DZ RH SIDE ONLY -----	1	AN
	A5-35PR	STUD DZ RH SIDE ONLY -----	1	AN
-46	0752025-1	DOOR ASSEMBLY-COWL ACCESS -----	1	M
	0752628-1	DOOR ASSEMBLY-COWL ACCESS -----	1	N
	0752025-7	HINGE ASSEMBLY -----	1	
	MS20253-2-695	PIN-HINGE -----	1	
-47	S1188-1	LATCH-DOOR -----	1	M
-47A	W98292-1-.130	STUD -----	2	N
	AN9600516L	WASHER -----	2	N
	99836	PIN-CROSS -----	2	N
	99874	GROMMET -----	2	N
-48	MS24665-134	PIN-COTTER -----	2	M
	S1397-1	PLACARD -----	1	J
-49	0752014-23	FLAP ASSEMBLY-COWL LH WHEN EXHAUSTED USE 0752014-1 -----	1	A
	0752014-1	FLAP ASSEMBLY-COWL LH -----	1	B
-50	0752014-17	BRACKET -----	1	
-51	0752014-28	BAFFLE-RH -----	1	A
	0752014-9	BAFFLE-RH -----	1	B
-52	0752014-25	BAFFLE-LH -----	1	A
	0752014-11	BAFFLE-LH -----	1	B

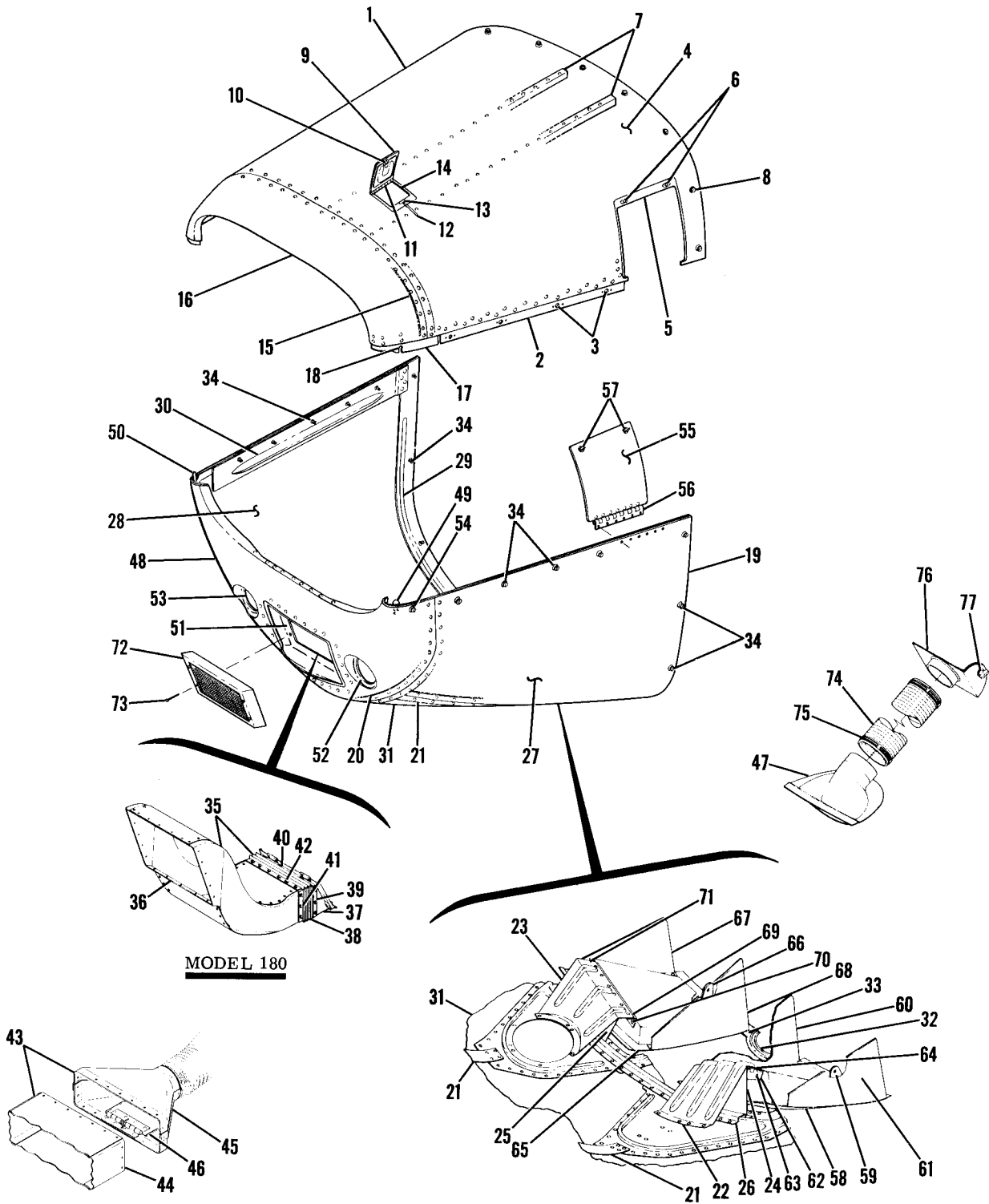
CONTINUED ON NEXT PAGE

FIGURE AND INDEX NO.	PART NUMBER	DESCRIPTION	UNITS PER ASSY	USABLE ON CODE
73 -53	0752014-15	HINGE ASSEMBLY -----	1	
-54	CR163-4-4	ATTACHING PARTS RIVET CY -----	6	
-55	0752609-2	PIN-HINGE WEU 0752609-27 -----	1	AG
	0752609-27	PIN-HINGE -----	1	AH
-56	0752014-24	FLAP ASSEMBLY-COWL RH WHEN EXHAUSTED USE 0752014-2 -----	1	A
	0752014-2	FLAP ASSEMBLY-COWL RH -----	1	B
-57	0752014-17	BRACKET -----	1	
-58	0752014-26	BAFFLE-RH -----	1	A
	0752014-10	BAFFLE-RH -----	1	B
-59	0752014-27	BAFFLE-LH -----	1	A
	0752014-12	BAFFLE-LH -----	1	B
-60	0752014-15	HINGE ASSEMBLY -----	1	
-61	CR163-4-4	ATTACHING PARTS RIVET CY -----	6	
-62	0752609-2	PIN-HINGE WEU 0752609-27 -----	1	AG
	0752609-27	PIN-HINGE -----	1	AH
-63	0750038-1	FILTER ASSEMBLY-AIR BOX WHEN EXHAUSTED -----	1	P
	0750146-1	USE 0750038-4 FILTER ASSEMBLY-AIR BOX FLOATPLANE ONLY WHEN -----	1	P
	0750038-4	EXHAUSTED USE 0750038-4	1	R
	0750038-3	FILTER ASSEMBLY-AIR BOX -----	1	
	0750146-3	GASKET -----	1	
	0750146-4	GASKET FLOATPLANE ONLY WHEN EXHAUSTED -----	1	
	0750146-4	USE 0750146-4	1	
-64	98293-16-2.250	GASKET FLOATPLANE ONLY -----	1	
	S1853-4	STUD UC -----	4	
	S1053E20T	PIN -----	4	
-65	S1053E20T	DUCT-SCOOP -----	1	G
-66	NAS398-42	ATTACHING PARTS CLAMP -----	2	
-67	0716104-3	INLET ASSEMBLY -----	1	H
	0716131-1	INLET ASSEMBLY -----	1	K
-68	28S7-4	STUD-CAMLOC -----	1	
	28S10-2	WASHER-CAMLOC -----	1	
<p>A---SERIAL 185-0001 THRU 185-0284 B---SERIAL 185-0285 THRU 18502090 SERIAL 18051184 THRU 18052284 C---SERIAL 185-0001 THRU 185-0229 D---SERIAL 185-0230 THRU 185-1431 SERIAL 18051184 THRU 18051980 E---SERIAL 185-0230 THRU 185-1431 F---SERIAL 18051184 THRU 18052284 G---SERIAL 185-0001 THRU 18502090 H---SERIAL 185-0001 THRU 185-0512 J---SERIAL 185-0513 THRU 185-0776 SERIAL 18051184 THRU 18051445 K---SERIAL 185-0513 THRU 18502090 L---SERIAL 185-0001 THRU 185-0776 SERIAL 18051184 THRU 18051445 M---SERIAL 185-0001 THRU 185-0776 SERIAL 18051184 THRU 18051445 N---SERIAL 185-0777 THRU 18502090 SERIAL 18051446 THRU 18052284 P---SERIAL 185-0001 THRU 185-0987 SERIAL 18051184 THRU 18051645 R---SERIAL 185-0988 THRU 18502090 SERIAL 18051646 THRU 18052284 S---SERIAL 185-0001 THRU 185-1149 SERIAL 18051184 THRU 18051774 T---SERIAL 185-1150 THRU 18502090 SERIAL 18051775 THRU 18052284 U---SERIAL 185-0001 THRU 18501832 V---SERIAL 18501833 THRU 18502007, 18502026, 18502027</p>				
CONTINUED ON NEXT PAGE				



FIGURE AND INDEX NO.	PART NUMBER	DESCRIPTION							UNITS PER ASSY	USABLE ON CODE	
		1	2	3	4	5	6	7			
73 -		W	---	SERIAL	185-0001	THRU	18501759, 18501761, 18501764	THRU	18501778		
				SERIAL	18051184	THRU	18052154				
		X	---	SERIAL	18501760, 18501762, 18501763, 18501779	THRU	18502090				
				SERIAL	18052155	THRU	18052284				
		Y	---	SERIAL	185-0001	THRU	185-1577				
				SERIAL	18051184	THRU	18052093				
		Z	---	SERIAL	185-1578	THRU	18502007, 18502026, 18502027				
				SERIAL	18052094	THRU	18052284				
		AA	---	SERIAL	185-0777	THRU	185-1431				
				SERIAL	18051446	THRU	18051980				
		AB	---	SERIAL	185-1432	THRU	18502090				
				SERIAL	18051981	THRU	18052284				
		AC	---	SERIAL	185-1432	THRU	18501832				
		AD	---	SERIAL	18051184	THRU	18051980				
		AE	---	SERIAL	18051981	THRU	18052284				
		AF	---	SERIAL	185-0001	THRU	185-1431				
				SERIAL	18051184	THRU	18051980				
		AG	---	SERIAL	185-0001	THRU	18501700				
				SERIAL	18051184	THRU	18052143				
		AH	---	SERIAL	18501701	THRU	18502090				
				SERIAL	18052144	THRU	18052284				
		AJ	---	SERIAL	18501833	THRU	18501934				
		AK	---	SERIAL	18501935	THRU	18502007, 18502026, 18502027				
		AL	---	SERIAL	18502008	THRU	18502025, 18502028	THRU	18502090		
				SERIAL	18502008	THRU	18502025, 18502028	THRU	18502082		
		AN	---	SERIAL	18502082	THRU	18502090				
		AP	---	SERIAL	185-0001	THRU	18502007, 18502026, 18502027				
				SERIAL	18051184	THRU	18052284				
		AQ	---	SERIAL	185-1432	THRU	18502082				
				SERIAL	18051981	THRU	18052284				
		AR	---	SERIAL	185-0001	THRU	18502082				
				SERIAL	18051184	THRU	18052284				
		AS	---	SERIAL	185-0001	THRU	18502090				
				SERIAL	18051184	THRU	18052284				

Cowling (Cont)



MODEL 180

MODEL 185

**SERIAL 18502091 & ON
SERIAL 18052285 & ON**

Figure 73A. Engine Cowl Installation



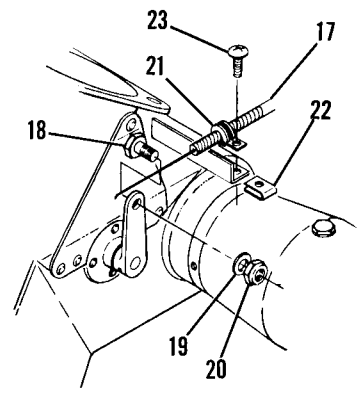
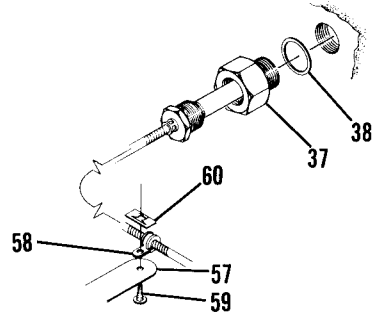
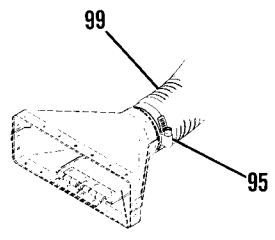
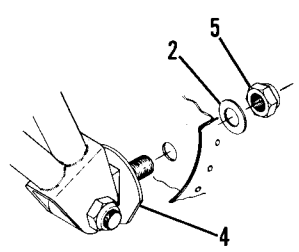
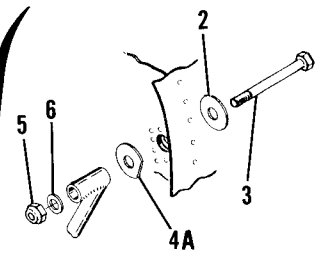
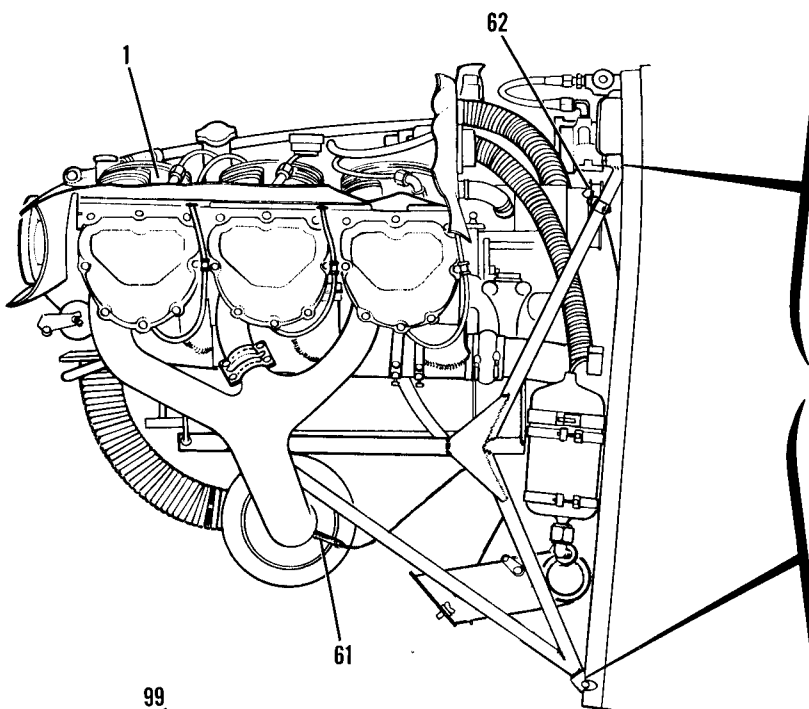
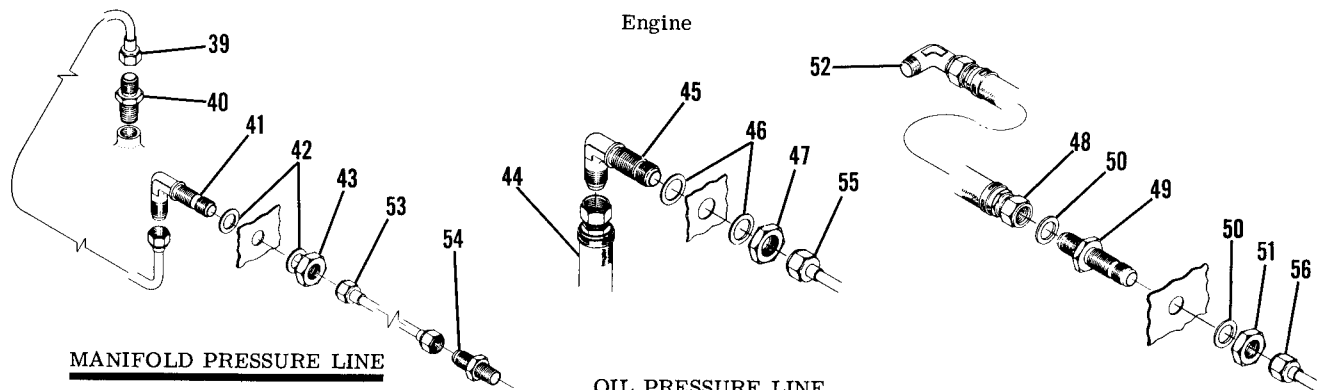
FIGURE AND INDEX NO.	PART NUMBER	DESCRIPTION	UNITS PER ASSY	USABLE
				ON CODE
		1 2 3 4 5 6 7		
73A-		COWL INSTALLATION-ENGINE -----	NP	A
- 1	0752031-208	COWL ASSEMBLY-UPPER -----	1	
- 2	0752031-19	STRIP-PARTING LH -----	1	
	0752031-20	STRIP-PARTING RH -----	1	
- 3	4002-244-16	RECEPTACLE CLC -----	9	
- 4	0752031-50	SKIN ASSEMBLY -----	1	
- 5	0752031-49	DOUBLER-COWL ACCESS DOOR -----	1	
- 6	99833P.098	RECEPTACLE -----	2	
- 7	0752031-26	ANGLE-UPPER COWL -----	2	
- 8	CM2791	SNAP RING CLC -----	10	
	4002H	GROMMET CLC -----	10	
	4055-4	STUD CLC -----	10	
- 9	0752626-1	DOOR ASSEMBLY-OIL -----	1	
-10	KM610-64	LATCH -----	1	
-11	0752000-117	HINGE ASSEMBLY -----	1	
-12	0752627-1	SPRING-OIL FILLER DOOR ASSIST -----	1	
-13	0752031-51	LATCH PLATE -----	1	
-14	0752031-52	DOUBLER-OIL FILLER DOOR -----	1	
-15	0752031-22	STRIP-SPLICE -----	1	
-16	0752031-206	NOSE CAP ASSEMBLY-UPPER COWL -----	1	
-17	0752030-9	DOUBLER-CAP SPLICE LH -----	1	
	0752030-8	DOUBLER-CAP SPLICE RH -----	1	
	0752019-11	STRAP-REINFORCING LH -----	1	
	0752019-10	STRAP-REINFORCING RH -----	1	
-18	0752032-1	RECEPTACLE LH SIDE ONLY -----	1	
	S5A200	SPRING RH SIDE ONLY DZ -----	1	
-19	0752031-213	COWL ASSEMBLY-LOWER LESS FLAPS & DOORS -----	1	B
	0752031-214	COWL ASSEMBLY-LOWER LESS FLAPS & DOORS -----	1	C
-20	0752015-10	DOUBLER-LOWER NOSE CAP -----	1	
-21	0752015-31	DOUBLER-COWL SPLICE LOWER -----	2	
-22	0752015-19	BRACKET-HINGE LH -----	1	
-23	0752015-39	BRACKET-HINGE RH -----	1	
-24	0752015-21	BRACKET-HINGE LH -----	1	
-25	0752015-22	BRACKET-HINGE RH -----	1	
-26	0752022-1	STIFFENER -----	1	
-27	0752031-7	SKIN ASSEMBLY-LOWER COWL SIDE LH -----	1	
-28	0752031-8	SKIN ASSEMBLY-LOWER COWL SIDE RH -----	1	
-29	0752031-16	DOUBLER-AFT RH -----	1	
	0752031-56	DOUBLER-AFT LH -----	1	
-30	0752031-18	DOUBLER-LOWER PARTING RH -----	1	
	0752031-17	DOUBLER-LOWER PARTING LH -----	1	
-31	0752031-9	SKIN ASSEMBLY-LOWER COWL CENTER -----	1	B
	0752031-36	SKIN ASSEMBLY-LOWER COWL CENTER -----	1	C
-32	0752015-23	DOUBLER-LOWER COWL -----	1	
-33	CM2791	SNAP RING CLC -----	2	
	4002G	GROMMET CLC -----	2	
	4055-3	STUD CLC -----	2	
-34	CM2791	SNAP RING CLC -----	17	
	4002H	GROMMET CLC -----	17	
	4055-3	STUD CLC -----	17	
-35	0752018-8	DUCT ASSEMBLY-CARBURETOR AIR INTAKE -----	1	B
-36	0752018-10	DUCT SUB ASSEMBLY -----	1	B
-37	0752016-14	EXPANDER ASSEMBLY -----	1	B
-38	0752016-7	BOOT-EXPANDER -----	1	B
	0752016-10	SEAL-TOP & BOTTOM -----	2	B
	0752016-11	SEAL-SIDE -----	2	B
	S1853-3	RECEPTACLE -----	2	B
	0752021-1	CLIP -----	2	B
-39	0752023-1	STRIP-SIDE -----	2	B
-40	0752023-5	STRIP-TOP & BOTTOM -----	2	B
	0752047-1	STIFFENER-TOP -----	1	B
-41	0752023-1	STRIP-SIDE -----	2	B
-42	0752023-4	STRIP-TOP & BOTTOM -----	2	B
-43	0752018-23	DUCT ASSEMBLY-INDUCTION AIR INTAKE -----	1	C
-44	0752018-22	DUCT SUB ASSEMBLY -----	1	C
-45	1652013-28	DUCT ADAPTOR ASSEMBLY -----	1	C
-46	1652013-25	DOOR ASSEMBLY -----	1	C

CONTINUED ON NEXT PAGE

FIGURE AND INDEX NO.	PART NUMBER	DESCRIPTION	UNITS PER ASSY	USABLE ON CODE
73A-47	0752035-1	SCOOP-PUMP COOLING -----	1	C
	AN960-4L	WASHER -----	12	C
-48	0752030-20	NOSE CAP ASSEMBLY-LOWER -----	1	B
	0752030-18	NOSE CAP ASSEMBLY-LOWER -----	1	C
-49	0752013-1	CLIP-COWL NOSE LH -----	1	
-50	0752013-2	CLIP-COWL NOSE RH -----	1	
-51	0752020-1	MOUNT ASSEMBLY-FILTER -----	1	B
	0752020-3	MOUNT ASSEMBLY-FILTER -----	1	C
-52	1652012-9	SUPPORT ASSEMBLY-LANDING LIGHT LH -----	1	
-53	1652012-6	SUPPORT ASSEMBLY-LANDING LIGHT RH -----	1	
	NAS697A08	NUTPLATE -----	3	
-54	CM2791	SNAP RING CLC LH SIDE ONLY -----	1	
	4002H	GROMMET CLC LH SIDE ONLY -----	1	
	40S5-4	STUD CLC LH SIDE ONLY -----	1	
	GA5-375	GROMMET DZ RH SIDE ONLY -----	1	
	A5-35PR	STUD DZ RH SIDE ONLY -----	1	
-55	0752628-1	DOOR ASSEMBLY-COWL ACCESS -----	1	
-56	0752025-7	HINGE ASSEMBLY -----	1	
	MS20253-2-695	PIN-HINGE -----	1	
-57	W98292-1-.130	STUD -----	2	
	AN960D516L	WASHER -----	2	
	99836	PIN-CROSS -----	2	
	99874-1	GROMMET -----	2	
-58	0752014-1	FLAP ASSEMBLY-COWL LH -----	1	
-59	0752014-17	BRACKET -----	1	
-60	0752014-9	BAFFLE-RH -----	1	
-61	0752014-11	BAFFLE-LH -----	1	
-62	0752014-15	HINGE ASSEMBLY -----	1	
		ATTACHING PARTS		
-63	CR163-4-4	RIVET CY -----	6	
		*-----		
-64	0752609-27	PIN-HINGE -----	1	
-65	0752014-2	FLAP ASSEMBLY-COWL RH -----	1	
-66	0752014-17	BRACKET -----	1	
-67	0752014-10	BAFFLE-RH -----	1	
-68	0752014-12	BAFFLE-LH -----	1	
-69	0752014-15	HINGE ASSEMBLY -----	1	
		ATTACHING PARTS		
-70	CR163-4-4	RIVET CY -----	6	
		*-----		
-71	0752609-27	PIN-HINGE -----	1	
-72	0750038-4	FILTER ASSEMBLY-AIR BOX -----	1	
	0750038-3	GASKET -----	1	
-73	98293-16-2.250	STUD UC -----	4	
	S1853-4	PIN -----	4	
-74	S1053E20T	DUCT-SCOOP -----	1	C
		ATTACHING PARTS		
-75	NAS398-42	CLAMP -----	2	C
		*-----		
-76	0716131-1	INLET ASSEMBLY -----	1	C
-77	28S7-4	STUD -----	1	
	28S10-2	WASHER -----	1	
		A---SERIAL 18502091 & ON SERIAL 18052285 & ON B---SERIAL 18052285 & ON C---SERIAL 18502091 & ON		

FIGURE AND INDEX NO.	PART NUMBER	DESCRIPTION	UNITS PER ASSY	USABLE ON CODE
		1 2 3 4 5 6 7		
74 -		ENGINE INSTALLATION -----	NP	M
- 1		ENGINE ASSEMBLY-260 HP SEE FIGURE 76 -----	1	C
		ENGINE ASSEMBLY-300 HP SEE FIGURE 76 -----	1	L
		ATTACHING PARTS		
- 2	0550153-1	WASHER -----	4	
- 3	AN6-24A	BOLT -----	2	
- 4	0751005-1	WASHER -----	2	D
	0751005-3	WASHER -----	2	E
- 4A	0751005-2	WASHER -----	2	D
	0751005-4	WASHER -----	2	E
- 5	MS20365-624C	NUT -----	4	
- 6	AN960-616	WASHER -----	2	
		*-----		
- 7	1213228-3	CONTROL-THROTTLE -----	1	A
	S1294-1	CONTROL-THROTTLE -----	1	U
	S1294-2	CONTROL-THROTTLE WEU C299505-0301 -----	1	V
	C299505-0301	CONTROL-THROTTLE -----	1	W
- 8	1213229-2	CONTROL-MIXTURE -----	1	A
	S1220-4	CONTROL-MIXTURE -----	1	U
	S1220-9	CONTROL-MIXTURE WEU C299507-0201 -----	1	V
	C299507-0201	CONTROL-MIXTURE -----	1	W
		ATTACHING PARTS		
- 9	S351	CLAMP -----	2	X
-10	AN3-7A	BOLT -----	2	X
-11	AN960-10L	WASHER -----	2	X
-12	MS21044N3	NUT -----	3	X
-13	AN3-7A	BOLT USED ON THROTTLE CONTROL ONLY -----	1	X
-14	NAS43HT3-14	SPACER USED ON THROTTLE CONTROL ONLY -----	1	X
-15	AN3-5A	BOLT USED ON MIXTURE CONTROL ONLY -----	1	X
-15A	S1450-3-10-032	WASHER -----	1	X
-16	HF3	ROD END HEC -----	1	X
-16A	AN315-3R	NUT -----	1	X
	AN356-1032	NUT -----	1	X
		*-----		
-16B	0750166-4	BRACKET ASSEMBLY -----	1	
-17	S1230-2	CONTROL-INDUCTION AIR -----	1	R
	S1230-6	CONTROL-INDUCTION AIR -----	1	S
		ATTACHING PARTS		
-18	0450311-5	CLAMP -----	1	T
-19	AN960-10L	WASHER -----	1	T
-20	MS21044N3	NUT -----	1	T
-21	AN742D3	CLAMP -----	1	T
-22	NAS446-4-3	NUT -----	1	T
-23	S1021Z8-6	SCREW -----	1	T
		*-----		

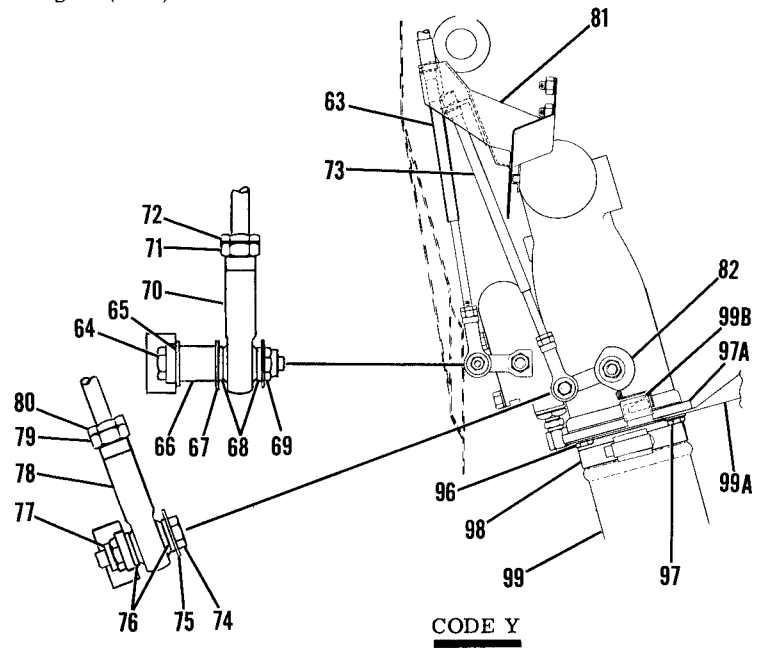
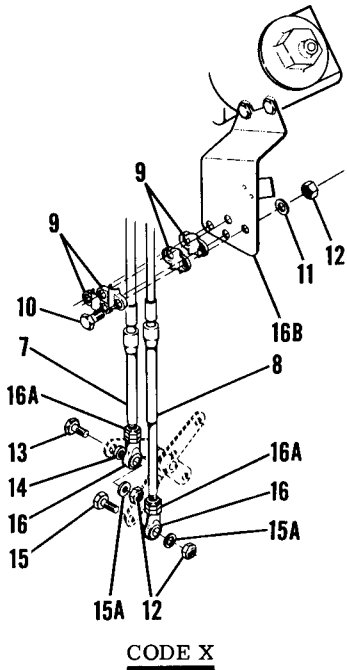
CONTINUED ON NEXT PAGE



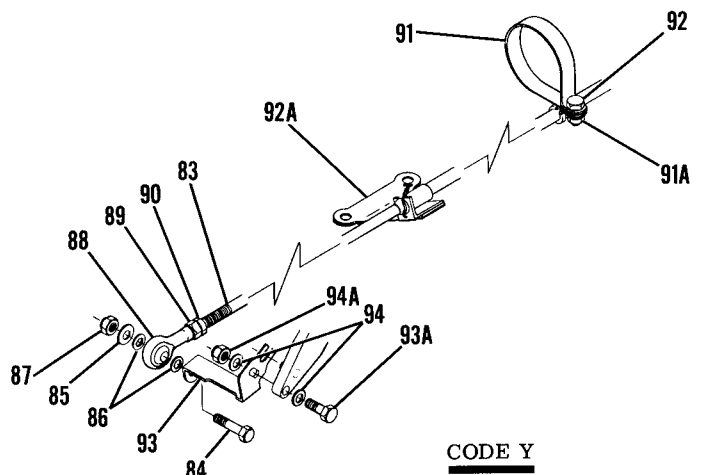
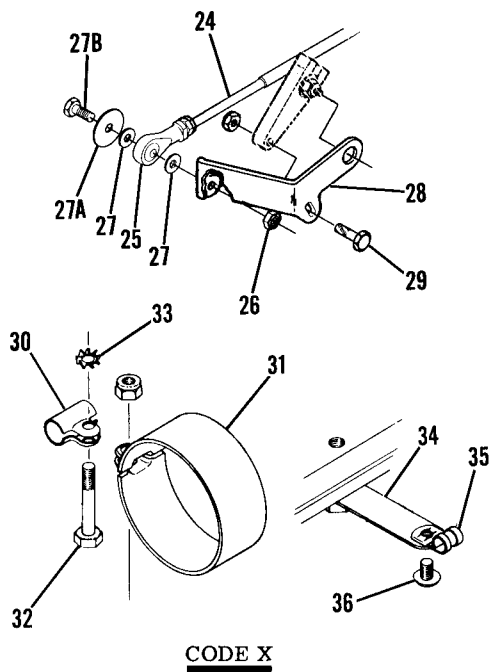
SERIAL 185-0968 & ON (300 HP)
 SERIAL 185-0001 THRU 185-1149 (260 HP)

Figure 74. (Sheet 1 of 2) Engine Installation

Engine (Cont)



THROTTLE & MIXTURE CONTROLS



PROP GOVERNOR CONTROL & CLAMPS

**SERIAL 185-0968 & ON (300 HP)
SERIAL 185-0001 THRU 185-1149 (260 HP)**

Figure 74. (Sheet 2 of 2) Engine Installation

FIGURE AND INDEX NO.	PART NUMBER	DESCRIPTION	UNITS PER ASSY							USABLE ON CODE
			1	2	3	4	5	6	7	
74 -24	S1223-5 S1223-8 C299506-0103	CONTROL ASSEMBLY-PROPELLER GOVERNOR ----- CONTROL ASSEMBLY-PROPELLER GOVERNOR WEU C299506-0103 ----- CONTROL ASSEMBLY-PROPELLER GOVERNOR ----- ATTACHING PARTS							1 1 1	T V W
-25	S1104-3	ROD END -----							1	X
-26	MS21044N3	NUT -----							1	X
-27	AN960D10	WASHER -----							2	X
-27A	S1450-3-10-032	WASHER -----							1	X
-27B	AN3-7A	BOLT -----							1	X
-28	0750138	ARM-GOVERNOR CONTROL USED WITH WOODARD & GARWIN ----- GOVERNORS							1	X
	0750202-1	ARM-GOVERNOR CONTROL USED WITH HOOF GOVERNOR -----							1	X
	AN520-10R8	SCREW -----							1	X
-29	AN3-5A	BOLT USED WITH WOODARD GOVERNOR -----							1	X
	AN3-12A	BOLT USED WITH HOOF GOVERNOR -----							1	X
	AN960-10	WASHER USED WITH HOOF GOVERNOR -----							1	X
	NAS43HT3-6	SPACER USED WITH HOOF GOVERNOR -----							2	X
	NAS697A3	NUT -----							1	X
-30	0450191-1	CLAMP -----							1	X
-31	AN741-18P	CLAMP -----							1	X
-32	AN3-12A	BOLT -----							1	X
	MS21044N3	NUT -----							1	X
-33	AN936B10	WASHER -----							1	X
-34	0550100-9	BRACKET -----							1	X
-35	S1486DG5L	CLAMP -----							1	X
-36	S1021Z8-8	SCREW -----							1	X
		*-----								
-37	0750139	ADAPTER-OIL TEMPERATURE -----							1	
-38	AN900-10	GASKET -----							1	
-39	S1168-2-26 3/4 S1168-2-8 1/2	LINE ASSEMBLY-MANIFOLD PRESSURE ENGINE TO FIREWALL ----- HOSE ASSEMBLY-MANIFOLD PRESSURE ----- ATTACHING PARTS							1 1 1	A B
-40	AN816-2D	NIPPLE -----							1	
-41	AN833-2D	ELBOW -----							1	
-42	AN960D516	WASHER -----							2	
-43	AN924-2D	NUT -----							1	
		*-----								
-44	SEE FIG 76	HOSE ASSEMBLY-OIL PRESSURE ----- ATTACHING PARTS							1	
-45	AN833-4D	ELBOW -----							1	
-46	AN960D716	WASHER -----							2	
-47	AN924-4D	NUT -----							1	
		*-----								
-48	S1236-3-0294 0700147-16	HOSE ASSEMBLY-FUEL PRESSURE ENGINE TO FIREWALL ----- LINE-FUEL PRESSURE ENGINE TO FIREWALL ----- WHEN EXHAUSTED USE 0700147-46							1 1	F G
	0700147-46	LINE-FUEL PRESSURE ENGINE TO FIREWALL ----- ATTACHING PARTS							1	G
-49	AN832-3D	UNION -----							1	F
	AN832-2D	UNION -----							1	F
-50	AN960D616	WASHER -----							2	F
	AN960D516	WASHER -----							2	F
-51	AN924-3D	NUT -----							1	F
	AN924-2D	NUT -----							1	F
-52	0756003-1	ELBOW-RESTRICTOR -----							1	F
	MS20822-2D	ELBOW -----							1	G
		*-----								
-53	0500106-273	LINE ASSEMBLY-MANIFOLD PRESSURE FIREWALL TO PANEL ----- WHEN EXHAUSTED USE 0500118-96							1	J
	0500118-96	LINE ASSEMBLY-MANIFOLD PRESSURE FIREWALL TO PANEL -----							1	J
	0500106-248	LINE ASSEMBLY-MANIFOLD PRESSURE FIREWALL TO PANEL ----- WHEN EXHAUSTED USE 0500118-114							1	K
	0500118-114	LINE ASSEMBLY-MANIFOLD PRESSURE FIREWALL TO PANEL ----- ATTACHING PARTS							1	K
-54	AN816-2D	NIPPLE -----							1	
		*-----								
-55	0500106-292	LINE ASSEMBLY-OIL PRESSURE FIREWALL TO PANEL -----							1	
-56	0500106-341 0700087-18	LINE ASSEMBLY-FUEL FLOW FIREWALL TO PANEL ----- LINE ASSEMBLY-FUEL FLOW FIREWALL TO PANEL ----- WHEN EXHAUSTED USE 0700099-84							1 1	F G
	0700099-84	LINE ASSEMBLY-FUEL FLOW FIREWALL TO PANEL -----							1	G
-57	0550100-9	BRACKET OIL TEMPERATURE LEAD -----							2	

CONTINUED ON NEXT PAGE



FIGURE AND INDEX NO.	PART NUMBER	DESCRIPTION	UNITS PER ASSY	USABLE ON CODE		
					1	2
74 -58	S14860G3U	CLAMP -----	2			
-59	S1021Z8-8	SCREW -----	2			
-60	NAS446-4-3	NUT -----	2			
-61	C668501-0102	PROBE-ECONOMY POWER INDICATOR WHEN EXHAUSTED ----- USE C668501-0110	1	H		
	C668501-0110	PROBE-ECONOMY POWER INDICATOR -----	1	N		
	C668501-0204	PROBE-ECONOMY POWER INDICATOR -----	1	P		
	AN515-4R4	SCREW -----	2			
-62	S1517-2	CONTROL ASSEMBLY-STRAINER DRAIN -----	1	Q		
	S1517-4	CONTROL ASSEMBLY-STRAINER DRAIN FLOATPLANE ONLY ----- ATTACHING PARTS	1	Q		
	0750230-1	CLAMP ATTACH TO MOTOR MOUNT -----	1	Q		
	AN741TD7	CLAMP ATTACH TO MOTOR MOUNT -----	1	Q		
	AN4-6A	BOLT -----	2	Q		
	AN960-10L	WASHER -----	2	Q		
	NAS679A4	NUT -----	2	Q		
	AN742D4	CLAMP ATTACH TO FIREWALL -----	1	Q		
	S1021Z8-14	SCREW -----	1	Q		
	NAS43DD2-16A	SPACER -----	1	Q		
	NAS446-4-3	NUT -----	1	Q		
		-----*				
-63	C299507-0401	CONTROL ASSY-MIXTURE ----- ATTACHING PARTS	1	Y		
-64	AN3-13A	BOLT -----	1	Y		
-65	AN960-10L	WASHER -----	1	Y		
-66	1650037-1	SPACER -----	1	Y		
-67	S1450-3-10-032	WASHER -----	2	Y		
-68	AN960-10	WASHER -----	2	Y		
-69	MS20364-1032C	NUT -----	1	Y		
-70	S1104-3	ROD END -----	1	Y		
-71	AN315-3R	NUT -----	1	Y		
-72	AN356-1032	NUT-LOCK ----- -----*	1	Y		
-73	C299505-0501	CONTROL ASSEMBLY-THROTTLE ----- ATTACHING PARTS	1	Y		
-74	AN3-10A	BOLT -----	1	Y		
-75	S1450-3-10-1032	WASHER -----	1	Y		
-76	AN960-10	WASHER -----	2	Y		
-77	MS20364-1032C	NUT -----	1	Y		
-78	S1104-3	ROD END -----	1	Y		
-79	AN315-3R	NUT -----	1	Y		
-80	AN356-1032	NUT ----- -----*	1	Y		
-81	0750195-7	BRACKET ASSEMBLY -----	1	Y		
-82	1450009-1	CAM -----	1	Y		
	AN960-516	WASHER -----	1	Y		
	AN320-5	NUT -----	1	Y		
-83	C299506-0201	CONTROL ASSEMBLY-PROPELLER GOVERNOR ----- ATTACHING PARTS	1	Y		
-84	AN3-10A	BOLT -----	1	Y		
-85	S1450-3-10-032	WASHER -----	1	Y		
-86	AN960-10	WASHER -----	2	Y		
-87	MS20364-1032C	NUT -----	1	Y		
-88	S1104-3	ROD END -----	1	Y		
-89	AN315-3R	NUT -----	1	Y		
-90	AN742D36	CLAMP -----	1	Y		
-91	AN742D36	CLAMP -----	1	Y		
-91A	MS21919DG6	CLAMP -----	1	Y		
-92	AN3-5A	BOLT -----	1	Y		
	AN960-10L	NUT ----- -----*	1	Y		

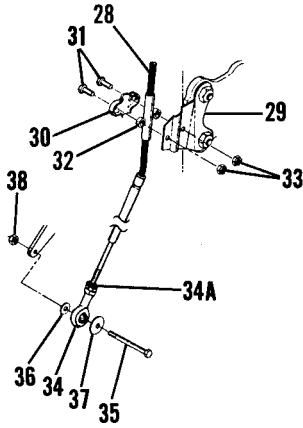
CONTINUED ON NEXT PAGE

FIGURE AND INDEX NO.	PART NUMBER	DESCRIPTION	UNITS PER ASSY	USABLE ON CODE
74 -92A	1650031-5	SUPPORT ASSEMBLY -----	1	Y
-93	1650031-1	ARM -----	1	Y
		ATTACHING PARTS		
-93A	AN3-6A	BOLT -----	1	Y
-94	AN960-10L	WASHER -----	2	Y
-94A	MS20364-1032C	NUT -----	1	Y
	1652013-5	DUCT ASSEMBLY -----	1	Y
		ATTACHING PARTS		
-95	S1891-48	CLAMP -----	1	Y
-96	MS20074-04-06	BOLT -----	2	Y
-97	MS20074-04-05	BOLT -----	2	Y
	AN960-416L	WASHER -----	4	
		RETAINER ASSEMBLY -----	1	Y
-97A	1652013-3	CLAMP -----	1	Y
-98	S1891-48	DUCT -----	1	Y
-99	SCEETS12-36-4	EYELET -----	1	Y
	A615	WASHER -----	1	Y
	AN960P08L	SUPPORT BRACKET RH TCM -----	1	Y
-99A	639411	SUPPORT BRACKET LH TCM -----	1	Y
	639410	SWITCH -----	1	Y
-99B	12SE1-3	ACTUATOR-SWITCH -----	1	Y
	JE5	BRACKET -----	1	Y
	0750341-1	PLATE ASSEMBLY -----	1	Y
	1560218-1		1	Y
		A---SERIAL 185-0001 THRU 185-0237		
		B---SERIAL 185-0238 & ON		
		C---SERIAL 185-0001 THRU 185-1149 260 HP		
		D---SERIAL 185-0001 THRU 185-0579		
		E---SERIAL 185-0580 & ON		
		F---SERIAL 185-0001 THRU 185-0653		
		G---SERIAL 185-0654 & ON		
		H---SERIAL 185-0777 THRU 185-0993		
		J---SERIAL 185-0001 THRU 185-0800		
		K---SERIAL 185-0801 & ON		
		L---SERIAL 185-0968 & ON 300 HP		
		M---SERIAL 185-0001 THRU 185-1149 260 HP		
		SERIAL 185-0968 & ON 300 HP		
		N---SERIAL 185-0994 THRU 185-1116		
		P---SERIAL 185-1117 & ON		
		Q---SERIAL 185-1301 & ON		
		R---SERIAL 185-0001 THRU 185-0776		
		S---SERIAL 185-0777 THRU 185-1300		
		T---SERIAL 185-0001 THRU 185-1300		
		U---SERIAL 185-0238 THRU 185-1300		
		V---SERIAL 185-1301 THRU 18501741		
		W---SERIAL 18501742 THRU 18502007, 18502026, 18502027		
		X---SERIAL 185-0001 THRU 18502007, 18502026, 18502027		
		Y---SERIAL 18502008 THRU 18502025, 18502028 & ON		

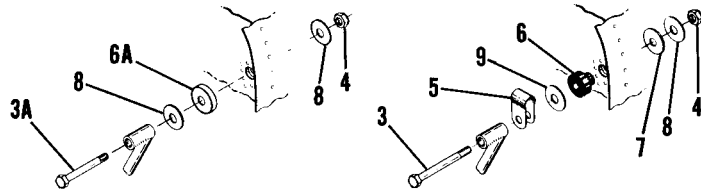
FIGURE AND INDEX NO.	PART NUMBER	DESCRIPTION	UNITS PER ASSY	USABLE ON CODE
		1 2 3 4 5 6 7		
75 -		ENGINE INSTALLATION -----	NP	A
- 1		ENGINE ASSEMBLY SEE FIGURE 77 -----	1	
		ATTACHING PARTS -----		
- 2	AN6-34A	BOLT -----	2	B
	AN6-35A	BOLT -----	2	C
	AN6-35A	BOLT FLOATPLANE ONLY -----	2	X
- 2A	AN6-33A	BOLT -----	2	Y
- 3	AN6-25A	BOLT -----	2	B
	AN6-26A	BOLT -----	2	C
	AN6-26A	BOLT FLOATPLANE ONLY -----	2	X
	AN6-26A	BOLT -----	2	Y
- 3A	AN6-24A	BOLT -----	2	Y
- 4	MS20365-624C	NUT -----	4	
- 5	0750031-1	STRAP-GROUND NOT USED ON FLOATPLANE -----	4	B
- 6	0550155	BUSHING-ENGINE MOUNT -----	4	B
	0751004-1	BUSHING-ENGINE MOUNT -----	4	C
	0751004-1	BUSHING-ENGINE MOUNT FLOATPLANE ONLY -----	4	X
- 6A	0750209-1	WASHER-ENGINE MOUNT -----	4	Y
- 7	0550154-2	PAD-ENGINE MOUNT -----	4	B
	0751004-2	PAD-ENGINE MOUNT -----	4	C
	0751004-2	PAD-ENGINE MOUNT FLOATPLANE ONLY -----	4	X
- 8	0550153-1	WASHER-ENGINE MOUNT -----	4	X
	0550153-1	WASHER-ENGINE MOUNT -----	8	Y
- 9	0550156	WASHER-ENGINE MOUNT -----	4	B
	0550153-1	WASHER-ENGINE MOUNT -----	4	C
		*-----		
-10	0500106-202	LINE ASSEMBLY-PRIMER -----	1	H
	0700147-14	LINE ASSEMBLY-PRIMER -----	1	J
	0700147-17	LINE ASSEMBLY-PRIMER WHEN EXHAUSTED USE 0700147-47 -----	1	N
	0700147-47	LINE ASSEMBLY-PRIMER -----	1	N
		ATTACHING PARTS -----		
	MS21919DG2	CLAMP -----	1	
	S1021Z8-6	SCREW -----	1	
	NAS446-4-3	NUT -----	1	
		*-----		
-11	1230-2	CONTROL ASSEMBLY-CARBURETOR HEAT -----	1	D
	S1230-6	CONTROL ASSEMBLY-CARBURETOR HEAT -----	1	S
	S1230-11	CONTROL ASSEMBLY-CARBURETOR HEAT -----	1	R
		ATTACHING PARTS -----		
-12	AN742D3	CLAMP -----	1	
	NAS446-4-3	NUT -----	1	
	S1021Z8-12	SCREW -----	1	
	NAS43DD3-16	SPACER -----	1	
-13	AN742D4	CLAMP -----	1	
-14	AN3-3A	BOLT -----	1	
	MS21044N3	NUT -----	1	
-15	0450311-5	CLAMP-CARBURETOR HEAT -----	1	
-16	AN960-10L	WASHER -----	1	
-17	MS21044N3	NUT -----	1	
		*-----		

CONTINUED ON NEXT PAGE

Engine (Cont)



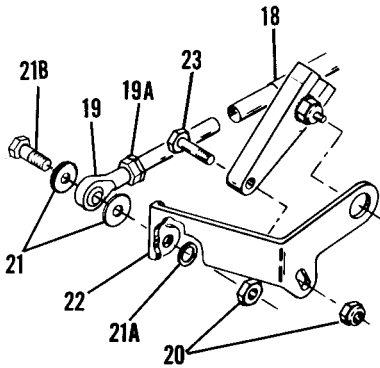
THROTTLE CONTROL



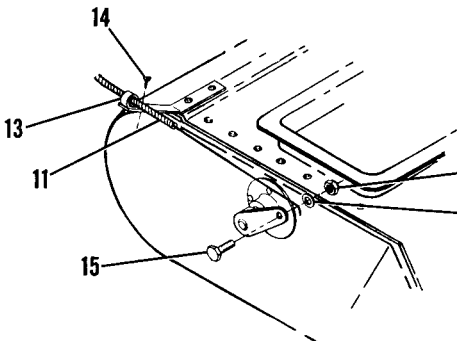
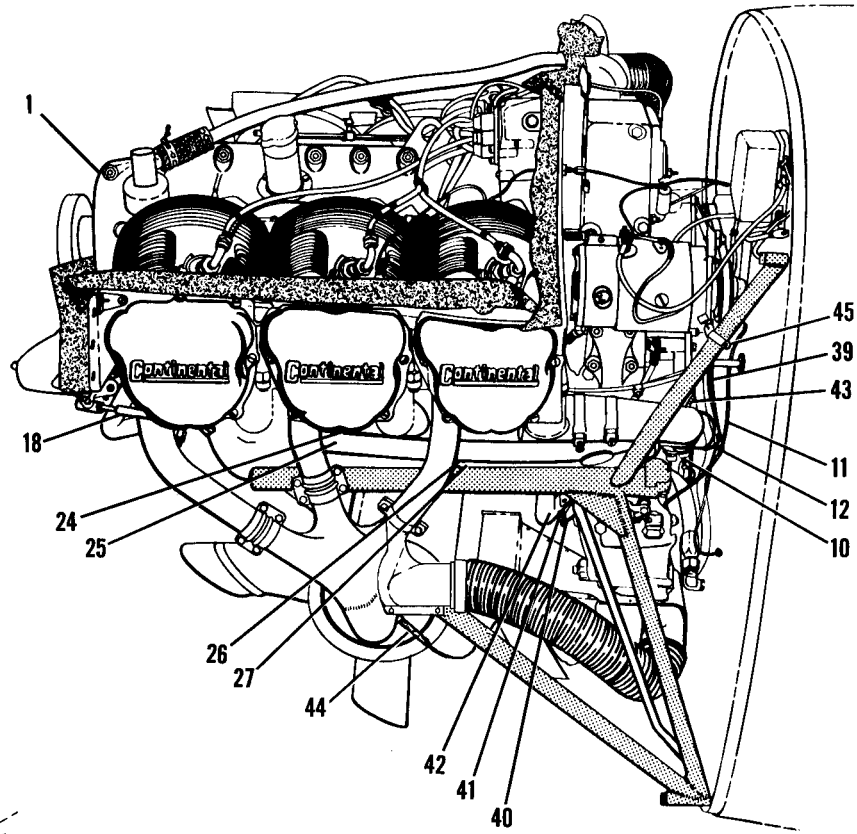
18051313 & ON

18051184 THRU 18051312

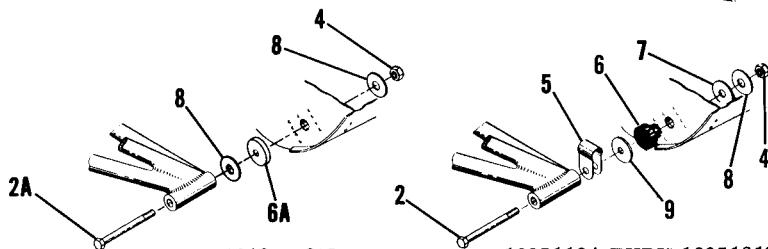
UPPER ENGINE MOUNTS



PROP GOV CONTROL



CARB HEAT CONTROL



18051313 & ON

18051184 THRU 18051312

LOWER ENGINE MOUNTS

SERIAL 18051184 & ON

Figure 75. Engine Installation

FIGURE AND INDEX NO.	PART NUMBER	DESCRIPTION	UNITS PER ASSY	USABLE ON CODE		
					1	2
75 -18	S1223-4	CONTROL ASSEMBLY-PROPELLER -----	1	D		
	S1223-5	CONTROL ASSEMBLY-PROPELLER -----	1	S		
	S1223-8	CONTROL ASSEMBLY-PROPELLER WEU C299506-0103 -----	1	U		
	C299506-0103	CONTROL ASSEMBLY-PROPELLER -----	1	V		
		ATTACHING PARTS				
-19	S1104-3	ROD END -----	1			
-19A	NAS679A4	NUT -----	1			
-20	MS20364-1032C	NUT -----	2			
-21	AN960D10	WASHER -----	2			
-21A	S1450-3-10-032	WASHER UNDER NUT -----	1			
-21B	AN3-7A	BOLT -----	1			
-22	0750138	ARM-PROPELLER CONTROL -----	1			
-23	AN3-5A	BOLT -----	1			
-24	0450191-1	CLAMP-PROPELLER CONTROL -----	1			
-25	AN741-18P	CLAMP -----	1			
	AN3-11A	BOLT -----	1			
	AN936B10	WASHER -----	2			
-26	0550100-9	BRACKET-PROPELLER CONTROL -----	1			
-27	S1486DG5U	CLAMP -----	1			
	S1021Z8-8	SCREW -----	1			

-28	S1222-1	CONTROL ASSEMBLY-THROTTLE -----	1	D		
	S1222-13	CONTROL ASSEMBLY-THROTTLE -----	1	S		
	S1222-16	CONTROL ASSEMBLY-THROTTLE WEU C299505-0201 -----	1	U		
	C299505-0201	CONTROL ASSEMBLY-THROTTLE -----	1	V		
		ATTACHING PARTS				
-29	0750119	BRACKET-THROTTLE CONTROL -----	1	D		
	0750223-1	BRACKET-THROTTLE CONTROL -----	1	P		
	0750228-2	BRACKET-THROTTLE CONTROL WEU 0750233-1 -----	1	Q		
	0750233-1	BRACKET-THROTTLE CONTROL -----	1	W		
-30	S351	CLAMP-THROTTLE CONTROL -----	1			
-31	AN3-6A	BOLT -----	2			
-32	NAS43HT3-9	SPACER -----	2			
-33	MS21044N3	NUT -----	2			
-34	S1106-4	ROD END-THROTTLE CONTROL -----	1			
-34A	NAS679A4	NUT -----	1			
-35	AN4-11A	BOLT -----	1			
-36	AN960C416L	WASHER -----	1			
-37	AN970-4	WASHER -----	1			
-38	NAS679A4	NUT -----	1			

-39	S1234-1	CONTROL ASSEMBLY-MIXTURE -----	1	T		
	S1234-6	CONTROL ASSEMBLY-MIXTURE -----	1	R		
		ATTACHING PARTS				
-40	0450311-4	CLAMP-MIXTURE CONTROL -----	1			
	NAS679A4	NUT -----	1			
	AN960-416L	WASHER -----	2			
-41	AN742D4	CLAMP -----	1			
-42	0750159-1	CLIP-MIXTURE CONTROL -----	1			
	AN3-3A	BOLT -----	1			
	MS21044N3	NUT -----	1			
	AN742D4	CLAMP -----	1			
	MS2191906-11	CLAMP -----	1			
	S1021Z8-6	SCREW -----	1			

	-43	0700087-19	LINE ASSEMBLY-MANIFOLD PRESSURE FIREWALL TO ENGINE -----	1	D	
0700147-10		LINE ASSEMBLY-MANIFOLD PRESSURE FIREWALL TO ENGINE -----	1	E		
		WHEN EXHAUSTED USE 0700147-44				
0700147-44		LINE ASSEMBLY-MANIFOLD PRESSURE FIREWALL TO ENGINE -----	1	E		
		ATTACHING PARTS				
MS219190G2		CLAMP -----	1			
S1021Z8-6		SCREW -----	1			
NAS446-4-3		NUT -----	1			
0750282-1		ADAPTER -----	1			

0500106-273		LINE ASSEMBLY-MANIFOLD PRESSURE FIREWALL TO PANEL -----	1	F		
		WHEN EXHAUSTED USE 0500118-96				
0500118-96	LINE ASSEMBLY-MANIFOLD PRESSURE FIREWALL TO PANEL -----	1	F			
0500106-248	LINE ASSEMBLY-MANIFOLD PRESSURE FIREWALL TO PANEL -----	1	G			
	WHEN EXHAUSTED USE 0500118-114					
0500118-114	LINE ASSEMBLY-MANIFOLD PRESSURE FIREWALL TO PANEL -----	1	G			

CONTINUED ON NEXT PAGE

FIGURE AND INDEX NO.	PART NUMBER	DESCRIPTION	UNITS PER ASSY	USABLE ON CODE
75 -44	C668501-0102	PROBE-ECONOMY POWER INDICATOR WHEN EXHAUSTED -----	1	K
		USE C668501-0110		
	C668501-0110	PROBE-ECONOMY POWER INDICATOR -----	1	L
	C668501-0204	PROBE-ECONOMY POWER INDICATOR -----	1	M
	AN515-4R4	SCREW -----	2	
-45	S1517-2	CONTROL ASSEMBLY-STRAINER DRAIN -----	1	R
	S1517-4	CONTROL ASSEMBLY-STRAINER DRAIN FLOATPLANE ONLY -----	1	R
		ATTACHING PARTS		
	0750230-1	CLAMP ATTACH TO MOTOR MOUNT -----	1	R
	AN741TD7	CLAMP ATTACH TO MOTOR MOUNT -----	1	R
	AN4-6A	BOLT -----	2	R
	AN960-10L	WASHER -----	2	R
	NAS679A4	NUT -----	2	R
	AN742D4	CLAMP ATTACH TO FIREWALL -----	1	R
	S1021Z8-14	SCREW -----	1	R
	NAS43DD3-16	SPACER -----	1	R
	NAS446-4-3	NUT -----	1	R
		---*---		
		A---SERIAL 18051184 & ON		
		B---SERIAL 18051184 THRU 18051250		
		C---SERIAL 18051251 THRU 18051312		
		D---SERIAL 18051184 THRU 18051445		
		E---SERIAL 18051446 & ON		
		F---SERIAL 18051184 THRU 18051486		
		G---SERIAL 18051487 & ON		
		H---SERIAL 18051184 THRU 18051496		
		J---SERIAL 18051497 THRU 18051774		
		K---SERIAL 18051446 THRU 18051653		
		L---SERIAL 18051654 THRU 18051771		
		M---SERIAL 18051772 & ON		
		N---SERIAL 18051775 & ON		
		P---SERIAL 18051446 THRU 18051761		
		Q---SERIAL 18051762 THRU 18052224		
		R---SERIAL 18051876 & ON		
		S---SERIAL 18051446 THRU 18051875		
		T---SERIAL 18051184 THRU 18051875		
		U---SERIAL 18051876 THRU 18052141		
		V---SERIAL 18052142 & ON		
		W---SERIAL 18052225 & ON		
		X---SERIAL 18051184 THRU 18051312		
		Y---SERIAL 18051313 & ON		

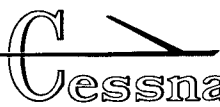
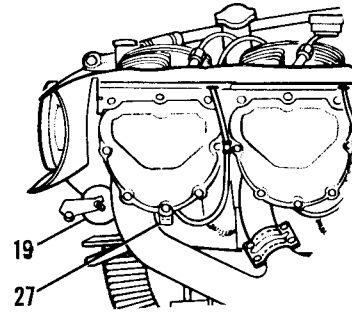
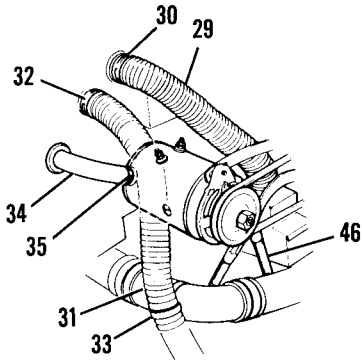


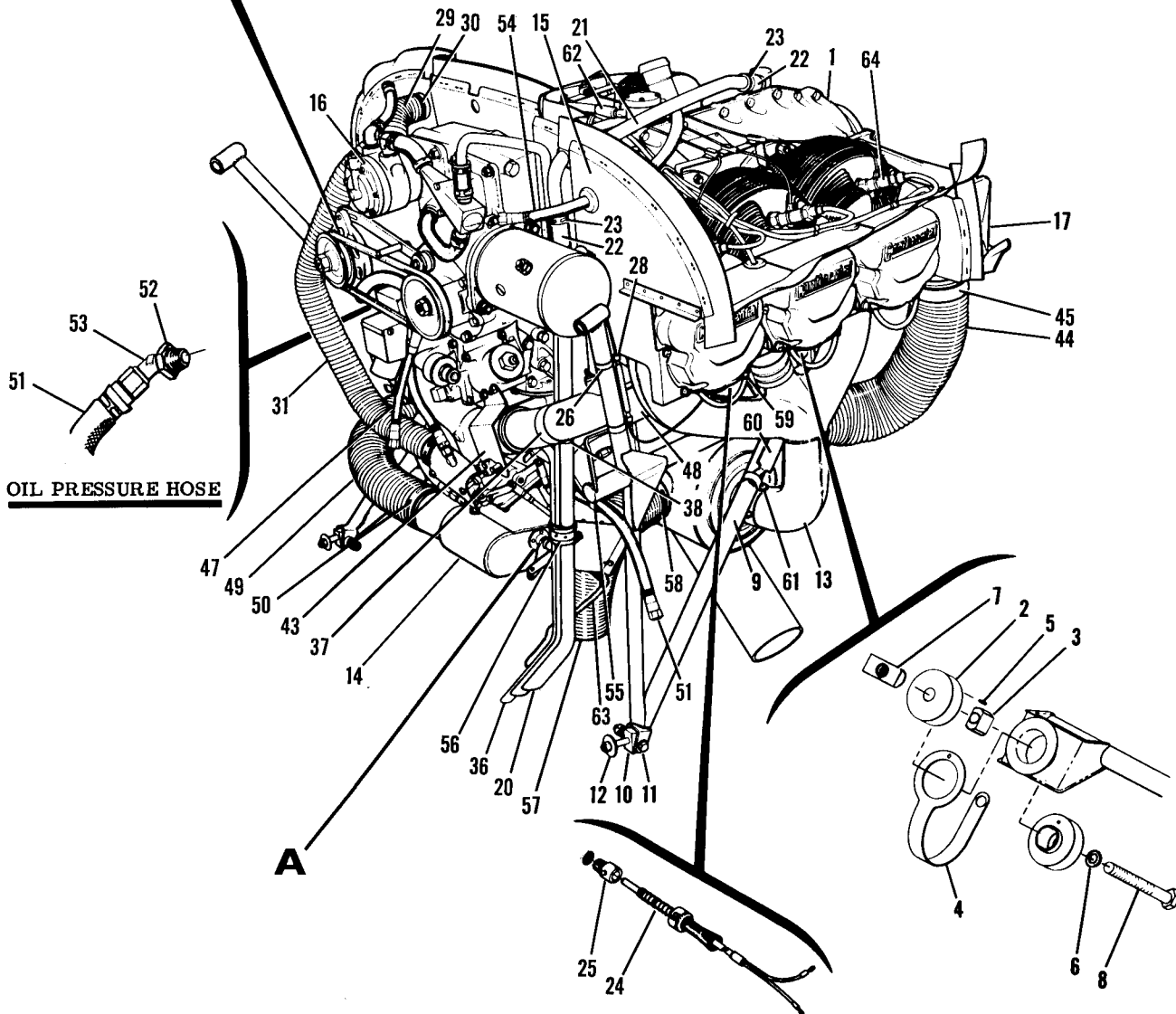
FIGURE AND INDEX NO.	PART NUMBER	DESCRIPTION	UNITS PER ASSY							USABLE ON CODE	
			1	2	3	4	5	6	7		
76 -		ENGINE ASSEMBLY-CONTINENTAL								NP	A
- 1	IO-470-F	ENGINE-260 HP CM								1	G
	IO-520D	ENGINE-300 HP CM								1	F
		ATTACHING PARTS									
- 2	0750132-1	SHOCK MOUNT ASSEMBLY								4	
- 3		SPACER								NP	
- 4	0750137	STRAP-BONDING								4	
- 5	MS20253-5-100	PIN								4	
- 6	0851559-1	LOCK WASHER								4	
- 7	539911	NUT-BARREL CM								4	
- 8	AN7-33A	BOLT								4	
		-----*									
		ENGINE COMPONENTS AND ACCESSORIES SEE FIGURE 76A								1	
- 9	0751003-30	MOUNT ASSEMBLY-ENGINE								1	
	0751003-31	MOUNT ASSEMBLY-ENGINE FLOATPLANE								1	
-10	0751006-2	LUG-ENGINE MOUNT								2	
		ATTACHING PARTS									
-11	AN6-21A	BOLT								1	
	AN960-616	WASHER								1	
	NAS679A6	NUT								1	
		-----*									
-12	0751005-1	WASHER								4	
-13		STACK INSTALLATION-EXHAUST SEE FIGURE 82								NP	
-14		BOX INSTALLATION-AIR SEE FIGURE 78 & 78A								NP	S
-15		BAFFLES INSTALLATION-ENGINE SEE FIGURE 84								NP	
-16		VACUUM SYSTEM-FWD OF FIREWALL SEE FIG 116, 117A & 117D								NP	
		LARGE OIL COOLER INSTALLATION								NP	
	EQ5491S	KIT-OIL COOLER CM								1	
-17	626189	OIL COOLER-ENGINE HARRISON AP13ALL10-02								1	
-17A	537312	PLATE-OIL COOLER END								1	
	625303	GASKET CRANKCASE TO PLATE								1	
-17B	537282	GASKET OIL COOLER TO OIL COOLER PLATE								1	
-18	0700318-2	BAFFLE ASSEMBLY								1	
-18A	0700309-2	BAFFLE ASSEMBLY								1	
-18B	0750152-2	BAFFLE-OIL COOLER INBOARD								1	
-18C	S1021Z10-8	SCREW								2	
-18D	NAS446-5-3	NUT								2	
-19		GOVERNOR ASSEMBLY-PROPELLER SEE FIG 79, 79A, 80 81 & 81A-								1	G
		GOVERNOR ASSEMBLY-PROPELLER SEE FIG 81B, 81C & 81D								1	F
-20	0500106-338	TUBE-BREATH AFT								1	B
	0700147-9	TUBE-BREATH AFT								1	C
-21	0500106-164	TUBE-BREATH FORWARD								1	B
	1200106-108	TUBE-BREATH FWD								1	C
		ATTACHING PARTS									
-22	S51-12	HOSE-3.00 IN LG BKI REF S51-12-12								1	
-23	NAS397-18	CLAMP								4	
		-----*									
-24	0813601-4	BULB-CYLINDER HEAD TEMPERATURE								1	B
	0813601-6	BULB-CYLINDER HEAD TEMPERATURE ALTERNATE								1	B
	S1372-1	SENDING UNIT-CYLINDER HEAD TEMPERATURE								1	C
-25	AN4076-1	FITTING								1	
-26	AN742D14	CLAMP								2	
-27	0750178-1	CLAMP								1	
-28	MS219190G2	CLAMP								1	
-29	S1053E12T	HOSE-15.00 IN.LG. BULK ITEM REF S-1053E12T-15.00								1	
-30	NAS397-28	CLAMP								2	
-31	S1053E12T	HOSE-30.00 IN.LG. BULK ITEM REF S-1053E12T-30.00								1	
		ATTACHING PARTS									
-32	NAS397-28	CLAMP								2	
-33	AN735D36	CLAMP								1	
	MS219190G24	CLAMP								1	
	AN3-4A	BOLT								1	
	MS21044N3	NUT								1	
		-----*									
-34	0750140-6	BLAST TUBE-GENERATOR								1	B
		ATTACHING PARTS									
-35	NAS397-16	CLAMP								2	B
		-----*									

CONTINUED ON NEXT PAGE

Engine (cont)



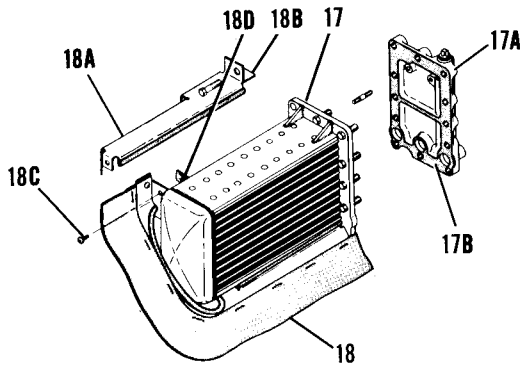
PROPELLER GOVERNOR



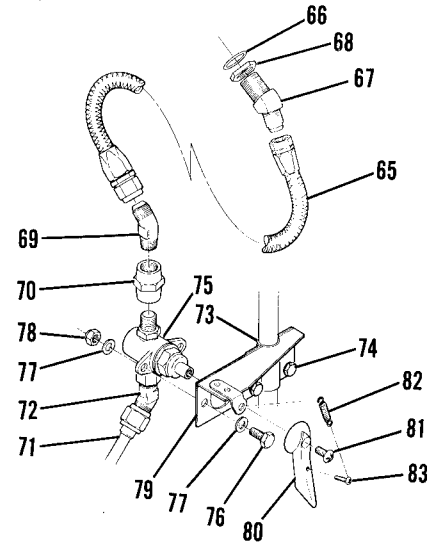
SERIAL 185-0968 & ON (300 HP)
SERIAL 185-0001 THRU 185-1149 (260 HP)

Figure 76. (Sheet 1 of 2) Engine Assembly

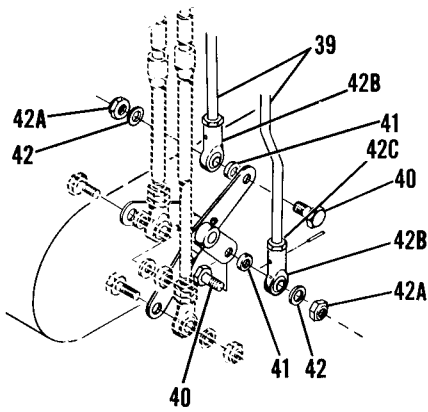
Engine (cont)



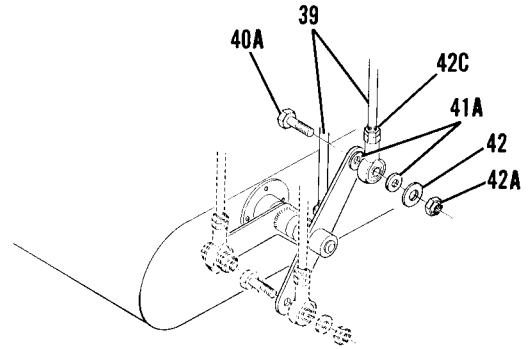
OIL COOLER



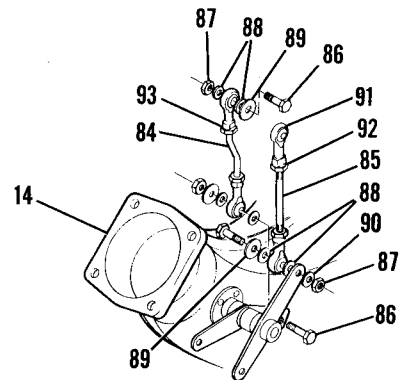
OIL SUMP DRAIN



SERIAL 185-0001 THRU 185-1479



SERIAL 185-1480 THRU 18501832



SERIAL 18501833 THRU 18502007,
18502026, 18502027

Detail **A**

SERIAL 185-0968 & ON (300 HP) SERIAL 185-0001 THRU 185-1149 (260 HP)

Figure 76. (Sheet 2 of 2) Engine Assembly



FIGURE AND INDEX NO.	PART NUMBER	DESCRIPTION	UNITS PER ASSY	USABLE ON CODE
76 -36	0500106-343	LINE ASSEMBLY-ENGINE PUMP DRAIN -----	1	
-37	AN742036	CLAMP -----	1	
-38	AN742012	CLAMP -----	1	
		ATTACHING PARTS		
	AN3-4A	BOLT -----	1	
	MS21044N3	NUT -----	1	
		---*---		
-39	0750169-6	ROD ASSEMBLY-THROTTLE & MIXTURE CONTROLS -----	2	Q
		ATTACHING PARTS		
	AN3-6A	BOLT UPPER END THROTTLE CONTROL ONLY -----	1	Q
	AN3-12A	BOLT UPPER END MIXTURE CONTROL ONLY -----	1	Q
	NAS43HT3-24	SPACER UPPER END MIXTURE CONTROL ONLY -----	1	Q
	AN960-10L	WASHER UPPER END ONLY -----	1	Q
	S1450-3-10-032	WASHER UPPER END ONLY -----	1	Q
	MS20364-1032C	NUT UPPER END ONLY -----	1	Q
	HF3	ROD END UPPER END ONLY -----	1	Q
	AN315-3R	NUT UPPER END ONLY -----	1	Q
-40	AN3-7A	BOLT -----	1	M
-40A	AN3-6A	BOLT -----	1	M
-41	0750171-4	SPACER -----	1	M
-41A	AN960PD10	WASHER -----	2	N
-42	S1450-3-10-032	WASHER -----	1	Q
-42A	MS21044N3	NUT -----	1	Q
		---*---		
-42B	S1104-3	ROD END -----	1	Q
	NAS561P2-5	ROLL PIN -----	1	Q
-42C	AN345-10	NUT -----	1	Q
-43	0750166-4	SUPPORT -----	1	
-44	S1053E24T	HOSE-20.00 IN.LG. BULK ITEM REF S1053E24T-20.00 -----	1	
		ATTACHING PARTS		
-45	NAS398-50	CLAMP -----	2	
		---*---		
-46	S1167-6-0270	HOSE ASSEMBLY -----	1	
-47	S1236-4-0144	HOSE ASSEMBLY -----	1	H
	S1236C4-0134	HOSE ASSEMBLY -----	1	J
-48	0750121	DEFLECTOR-EXHAUST HEAT -----	6	
-49	S1053K24T	HOSE-19 IN LG BULK ITEM REF S1053K24T19.0 -----	1	
		ATTACHING PARTS		
-50	NAS398-50	CLAMP -----	2	
		---*---		
-51	S1236-4-0440	HOSE ASSEMBLY-OIL PRESSURE -----	1	H
	S1236-4-0415	HOSE ASSEMBLY-OIL PRESSURE -----	1	J
		ATTACHING PARTS		
	0550100-9	BRACKET ATTACHES TO CRANKCASE -----	1	J
	MS21919DG7	CLAMP -----	1	J
	S1021Z10-10	SCREW -----	1	J
	S1487-4	NUT -----	1	J
		---*---		
-52	AN912-3	BUSHING -----	1	
-53	0752037-1	ELBOW-RESTRICTOR 45 DEGREE -----	1	
-54	S1236-3-0294	HOSE ASSEMBLY-FUEL PRESSURE -----	1	K
	0700147-16	LINE-FUEL PRESSURE WHEN EXHAUSTED USE 0700147-46 -----	1	L
	0700147-46	LINE-FUEL PRESSURE -----	1	L
		ATTACHING PARTS		
	0756003-1	ELBOW-RESTRICTOR -----	1	K
	MS20822-2D	ELBOW -----	1	L
		---*---		
-55	MS21919DG12	CLAMP -----	1	H
	S1485D12U	CLAMP -----	1	H
	MS21919DG7	CLAMP -----	2	J
	S1485D16U	CLAMP -----	2	J
		ATTACHING PARTS		
	S1021Z10-10	SCREW -----	1	
		---*---		
-56	S1590-4A	HARNES BAND UC -----	1	

CONTINUED ON NEXT PAGE



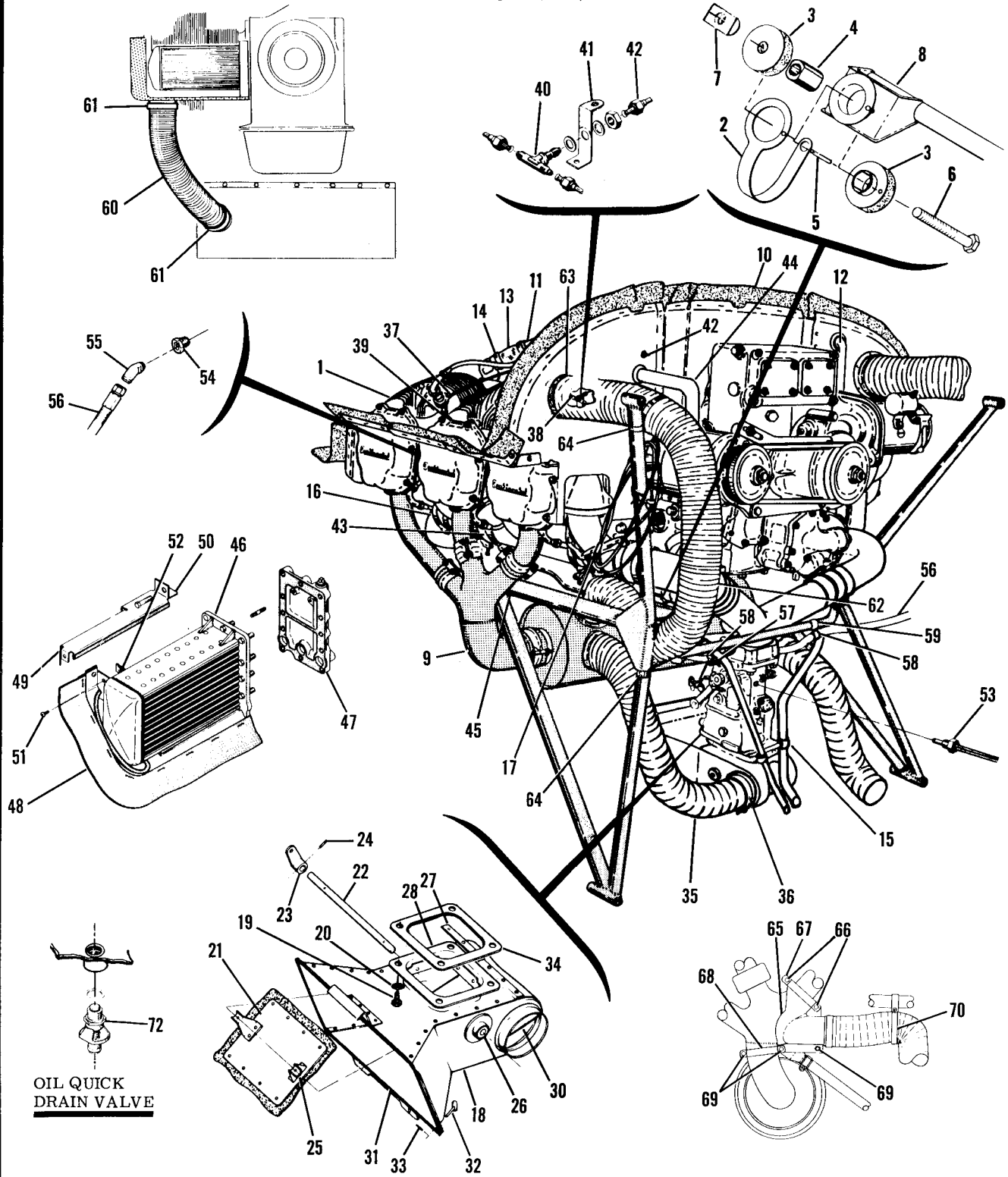
FIGURE AND INDEX NO.	PART NUMBER	DESCRIPTION	UNITS PER ASSY	USABLE ON CODE
76 -57	S1053K24T	HOSE-* IN. LG. BULK ITEM REF S-1053K24T-*	1	
-58	NAS398-50	CLAMP	2	
-59	MS21919DG4	CLAMP	12	
-60	0750141-1	DEFLECTOR-EXHAUST HEAT	2	D
	0750283-1	DEFLECTOR-EXHAUST HEAT ATTACHING PARTS	2	E
-61	S1485D16L	CLAMP	2	
	S1485D20L	CLAMP	2	
	S1021Z10-10	SCREW	2	
		*---		
	0750204-1	DIP STICK-ENGINE OIL	1	B
	0750222-2	DIP STICK-ENGINE OIL	1	C
-62	MS21919DG8	CLAMP	1	
	AN515-8R8	SCREW	1	
	AN960-8L	WASHER	1	
	NAS679A08	NUT	1	
-63	0750179-5	TUBE-AIR BOX DRAIN	1	Q
	1600010-117	TUBE-AIR BOX DRAIN ATTACHING PARTS	1	R
	S1495-6	HOSE 1.5 IN LG BULK ITEM REF S1495-6-1.50	1	
	NAS397-10	CLAMP	2	
		*---		
		OIL COOLER INSTALLATION-NON CONGEALING SEE FIGURE 77A	1	
		ALTERNATOR INSTALLATION SEE FIGURE 121	1	
-64	SL300A-C	SPARK PLUG SHIELDED SYSTEM 3/4-20 THREADS	12	
		DRAIN INSTALLATION-OIL SUMP	NP	P
-65	S1236-6-0130	HOSE ASSEMBLY	1	
		ATTACHING PARTS		
-66	AN900-10	GASKET	1	
-67	1650010-1	FITTING	1	
-68	1650010-2	JAMB NUT	1	
-69	MS20823-6D	ELBOW	1	
-70	AN910-2D	COUPLING	1	
		*---		
-71	1600010-47	LINE ASSEMBLY	1	
		ATTACHING PARTS		
-72	MS20823-6D	ELBOW	1	
		*---		
-73	1656003-5	CLAMP	1	
		ATTACHING PARTS		
-74	AN3-4A	BOLT	4	
	AN960PD10L	WASHER	8	
	MS20364-1032C	NUT	4	
		*---		
-75	1656006-1	VALVE ASSEMBLY	1	
-76	AN4-4A	BOLT	2	
-77	AN960PD416	WASHER	4	
-78	NAS679A4	NUT	2	
	0411803-7	VALVE	1	
-79	1656003-1	SUPPORT BRACKET ASSEMBLY-DRAIN VALVE	1	
-80	1656005-1	HANDLE	1	
		ATTACHING PARTS		
-81	39014	SCREW IB	1	
		*---		
-82	0411265-1	SPRING	1	
		ATTACHING PARTS		
-83	AN515-6R8	SCREW	1	
		*---		

CONTINUED ON NEXT PAGE

FIGURE AND INDEX NO.	PART NUMBER	DESCRIPTION	UNITS PER ASSY	USABLE ON CODE
76 -84	1650016-1	ROD ASSEMBLY-THROTTLE -----	1	R
-85	1650017-1	ROD ASSEMBLY-MIXTURE -----	1	R
		ATTACHING PARTS		
-86	AN3-6A	BOLT -----	2	R
-87	MS21044N3	NUT -----	2	R
-88	AN960PD10	WASHER -----	4	R
-89	S1450-3-10-32	WASHER -----	2	R
-90	AN960PD10L	WASHER LOWER MIXTURE ROD ATTACH -----	1	R
		*-----		
-91	S1104-3	ROD END -----	2	R
-92	AN315-4R	NUT -----	2	R
-93	AN315-3R	NUT -----	2	R
NOTE. *HOSE LENGTHS TO BE DEVELOPED LATER				
A---SERIAL 185-0001 THRU 185-1149 260 HP SERIAL 185-0968 & ON 300 HP B---SERIAL 185-0001 THRU 185-0776 C---SERIAL 185-0777 & ON D---SERIAL 185-0001 THRU 185-0771 E---SERIAL 185-0001 THRU 185-0654 F---SERIAL 185-0968 & ON 300 HP G---SERIAL 185-0001 THRU 185-1149 260 HP H---SERIAL 185-0001 THRU 185-1388 J---SERIAL 185-1389 & ON K---SERIAL 185-0001 THRU 185-0653 L---SERIAL 185-0654 & ON M---SERIAL 185-0001 THRU 185-1479 N---SERIAL 185-1480 THRU 18501832 P---SERIAL 18501600 & ON Q---SERIAL 185-0001 THRU 18501832 R---SERIAL 18501833 THRU 18502007, 18502026, 18502027 S---SERIAL 185-0001 THRU 18502007, 18502026, 18502027				

FIGURE AND INDEX NO.	PART NUMBER	DESCRIPTION	UNITS PER ASSY	USABLE ON CODE
		1 2 3 4 5 6 7		
76A-		* ENGINE COMPONENTS & ASSOCIATED ACCESSORIES MODEL 185	NP	A
- 1	628472	MAGNETO LH CM SCINTILLA S6RN201	1	J
	628473	MAGNETO RH CM SCINTILLA S6RN205	1	J
	625765	MAGNETO CM SLICK MODEL 662	2	K
- 2	534750	GASKET-MAGNETO TO CRANKCASE CM	2	
- 3	629076	MAGNETO DRIVE GEAR CM	2	
- 4	630948	IGNITION HARNESS-BENDIX LIGHT WEIGHT CM	1	J
	633311	IGNITION HARNESS-SLICK MAGNETO CM	1	K
- 5	626189	OIL COOLER CM HARRISON 62272A	1	
- 6	537282	GASKET-COOLER TO PLATE CM	1	
- 7	625303	GASKET-CRANKCASE TO PLATE CM	1	
- 8		NON CONGEALING OIL COOLER SEE FIGURE 77A	1	
- 9	0750140-5	GENERATOR 627272 CM, DELCO 1101912, 110185 OR 1101909	1	D
-10	539547	GENERATOR DRIVE BELT CM	1	D
-11		ALTERNATOR-52 AMP 14 VOLT REFER TO SERVICE LETTER 66-1	1	E
	C611501-0101	ALTERNATOR-60 AMP 14 VOLT SEE FIGURES 121 & 123A	1	F
-12	0413205-11	VOLTAGE REGULATOR-USED WITH 50 AMP GENERATOR	1	D
	0750216-1	VOLTAGE REGULATOR-USED WITH 52 AMP ALTERNATOR WHEN EXHAUSTED USE C611001-0101	1	G
	C611001-0101	VOLTAGE REGULATOR-USED WITH 60 AMP ALTERNATOR	1	H
-13	S1597-1-31.2	ALTERNATOR DRIVE BELT	1	E
	S1597-1-30.8	ALTERNATOR DRIVE BELT	1	F
-14	538076	BEVEL GEAR-GOVERNOR DRIVE CM	1	
-15	629176	STARTER-12 VOLT HEAVY DUTY CM DELCO 1108249	1	
-16	MS9021-038	O RING-STARTER TO ENGINE	1	
-17	SL300A-C	SPARK PLUG-SHIELDED SYSTEM 3/4-20	12	
-18	0750038-4	INDUCTION AIR FILTER	1	
-19	0750038-3	FILTER GASKET LANDPLANES	1	
	0750146-4	FILTER GASKET FLOATPLANES	1	
-20	0750175-1	GASKET-INDUCTION AIR TO ENGINE	1	
-21	629411A1	AIR THROTTLE ASSY CM	1	
-22	625219-2A6	METERING UNIT CM	1	B
	625219-2A1	METERING UNIT CM	1	C
-23	626062-3A5	FUEL PUMP CM	1	B
	630947-1A1	FUEL PUMP CM	1	C
-24	631427A3	MANIFOLD VALVE CM	1	B
	631351-3A1	MANIFOLD VALVE CM	1	C
-25	627335-12	NOZZLE CM ADD B, C OR D TO P/N-HIGHER LETTER	AR	B
		DESIGNATES GREATER FLOW		
	627335013	NOZZLE CM ADD B OR C TO P/N-HIGHER LETTER	AR	C
		DESIGNATES GREATER FLOW		
-26		GOVERNOR SEE FIGURES 79, 79A, 80 81A, 81B, 81C & 81D FOR APPLICABILITY	1	
<p>NOTE. *THIS LISTING IS COMPILED TO PROVIDE PART NUMBERS OF COMMONLY USED ENGINE COMPONENTS AND ASSOCIATED ACCESSORIES. RELATIONSHIP OF THESE PARTS TO ENGINE OR AIRCRAFT ASSEMBLIES IS NOT INDICATED BY INDENTION. THIS FIGURE IS NOT ILLUSTRATED. INDEX NUMBERS ARE PROVIDED FOR LOCATION OF LINE ON WHICH PART NUMBER APPEARS.</p>				
<p>A---SERIAL 185-0001 & ON B---SERIAL 185-0001 THRU 185-1149 260 HP C---SERIAL 185-0968 & ON 300 HP D---SERIAL 185-0001 THRU 185-0776 E---SERIAL 185-0777 THRU 185-0967 F---SERIAL 185-0968 & ON G---SERIAL 185-0777 THRU 185-1066 H---SERIAL 185-1067 & ON J---SERIAL 185-0001 THRU 185-0512 K---SERIAL 185-0513 & ON</p>				

Engine (Cont)



**OIL QUICK
DRAIN VALVE**

SERIAL 18051184 & ON

Figure 77. Engine Assembly

FIGURE AND INDEX NO.	PART NUMBER	DESCRIPTION	UNITS PER ASSY	USABLE ON CODE
		1 2 3 4 5 6 7		
77 -		ENGINE ASSEMBLY-CONTINENTAL -----	NP	A
- 1	0-470-R	ENGINE CM -----	1	
		ATTACHING PARTS -----		
- 2	0750137	BONDING STRAP-ENGINE MOUNT -----	4	
- 3	0750132-1	SHOCK MOUNT ASSEMBLY-ENGINE -----	4	
- 4	0750132-2	SPACER-BONDED -----	NP	
- 5	MS20253-5-100 **	PIN -----	4	
	MS20253-5-112 #	PIN FLOATPLANE & AMPHIBIAN ONLY -----	4	
- 6	AN7-33A	BOLT -----	4	
- 7	627773	NUT-BARREL CM -----	4	
	AN960-716L	WASHER -----	4	
		-----*		
		ENGINE COMPONENTS AND ACCESSORIES SEE FIGURE 77B -----	1	
- 8	0751001-13	MOUNT-ENGINE -----	1	
	0751001-27	MOUNT-ENGINE FLOATPLANE & AMPHIBIAN ONLY -----	1	
- 9		STACK INSTALLATION-EXHAUST SEE FIGURE 83 -----	1	
		VACUUM SYSTEM COMPONENTS-FORWARD OF FIREWALL -----	1	
		SEE FIGURES 117, 117A & 117D -----		
-10		BAFFLE INSTALLATION-ENGINE SEE FIGURE 85 -----	1	
-11	0500106-164	TUBE-BREATHING LINE FORWARD -----	1	F
	1200106-108	TUBE-BREATHING LINE FORWARD -----	1	G
-12	0500106-250	TUBE-BREATHING LINE REAR -----	1	F
	0700147-8	TUBE-BREATHING LINE REAR -----	1	G
		ATTACHING PARTS -----		
-13	S51-12	HOSE-3.00 IN. LG. BULK ITEM REF S-51-12-12 -----	2	
-14	NAS397-18-1	CLAMP TIN A3122-18-1 -----	4	
-15	0750158-1	STRAP -----	1	
	S1485D12U	CLAMP TIN -----	1	
	S1021Z10-10	SCREW -----	1	
		-----*		
-16		GOVERNOR-PROPELLER SEE FIGURES 79, 79A, 81 & 81A -----	1	
-17	0311018-11	THERMOCOUPLE-CYLINDER HEAD TEMPERATURE -----	1	H
		ATTACHING PARTS -----		
	AN515B6-5	SCREW -----	2	
	AN936A6B	WASHER -----	2	
		-----*		
	S1372-1	SENDING UNIT-CYLINDER HEAD TEMPERATURE -----	1	J
-18	0750144-1	AIR BOX ASSEMBLY-CARBURETOR WHEN EXHAUSTED USE -----	1	D
		0750144-15 -----		
	0750144-15	AIR BOX ASSEMBLY-CARBURETOR WHEN EXHAUSTED USE -----	1	E
		0750144-16 -----		
	0750144-16	AIR BOX ASSEMBLY-CARBURETOR WHEN EXHAUSTED -----	1	K
		USE 0750144-21 -----		
	0750144-21	AIR BOX ASSEMBLY-CARBURETOR -----	1	L
		ATTACHING PARTS -----		
-19	MS20074-04-3	BOLT -----	4	
-20	0750131-1	WASHER -----	4	
		-----*		
-21	0750133-7	VALVE ASSEMBLY -----	1	
-22	0750133-8	SHAFT-VALVE -----	1	
	0750133-21	SHAFT-VALVE ALT -----	1	
-23	0750111-19	ARM ASSEMBLY -----	1	
-24	MS16562-16	ROLL PIN EN -----	1	
-25	0750133-9	BRACKET ASSEMBLY -----	2	
-26	0750113-1	HOUSING ASSEMBLY -----	2	
-27	0750156-1	STRAP -----	1	
-28	0750126-4	COLLAR -----	1	
-29		DELETED, NEVER USED -----		
-30	0750133-22	DUST BAFFLE -----	1	
-31	0750144-6	SEAL -----	1	D
	0750144-20	SEAL -----	1	
-32	W98293-3-.320	STUD ALIC -----	2	
-33	S1853-4	PIN -----	2	
	AN960-10L	WASHER -----	2	
-34	0750142-1	GASKET-CARBURETOR AIR BOX -----	1	
-35	S1053K20T	HOSE-CARBURETOR HEAT 17.5 IN. LG. BULK ITEM -----	1	B
		REF S-1053K20T17.50 -----		
	S1053K20T	HOSE-CARBURETOR HEAT 30 IN LG BULK ITEM -----	1	C
		REF S1053K20T30.00 -----		
		ATTACHING PARTS -----		
-36	NAS398-42-1	CLAMP TIN A3122-42-1 -----	1	
		-----*		

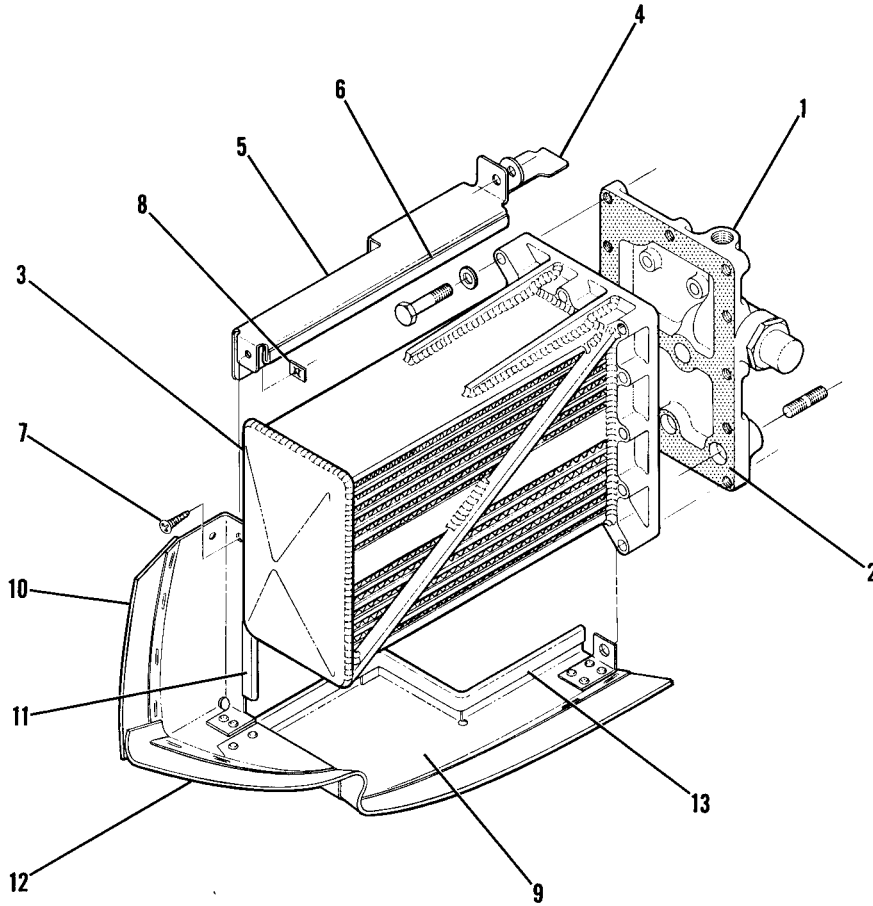
CONTINUED ON NEXT PAGE

FIGURE AND INDEX NO.	PART NUMBER	DESCRIPTION	UNITS PER ASSY	USABLE ON CODE
77 -37	0500106-196	PRIMER LINE-CYLINDER #6 TO TEE -----	1	B
-38	0500106-197	PRIMER LINE-CYLINDER #4 TO TEE -----	1	B
		ATTACHING PARTS		
-39	AN4022-1	NIPPLE -----	2	B
-40	AN834-2D	TEE -----	1	B
	AN924-2D	NUT -----	1	B
	AN960D516	WASHER -----	2	B
-41	0750150-1	BRACKET-PRIMER LINE -----	2	B
		-----*		
	MS21919DG8	CLAMP-IGNITION HARNESS FORWARD -----	1	
	MS21919DG10	CLAMP-IGNITION HARNESS REAR -----	1	
		ATTACHING PARTS		
	S1021Z10-8	SCREW -----	1	
	NAS446-5-3	NUT TIN A1779-10Z-3 -----	1	
		-----*		
-42	0500106-170	PRIMER LINE-TEE TO BAFFLE -----	1	B
-43	0750121	DEFLECTOR ASSEMBLY -----	6	
		FUEL PRIMER SIX LINE SYSTEM INSTALLATION SEE FIGURE 118 -	1	
-44	0750140-6	BLAST TUBE-GENERATOR -----	1	H
		ATTACHING PARTS		
	NAS397-16-1	CLAMP TIN A3122-16-1 -----	1	
		-----*		
-45	0750283-1	DEFLECTOR-EXHAUST HEAT -----	2	D
		ATTACHING PARTS		
	S1485D14L	CLAMP TIN -----	2	D
	S1021Z10-10	SCREW -----	2	D
		-----*		
	0750141-1	DEFLECTOR-EXHAUST HEAT -----	2	C
		ATTACHING PARTS		
	S1021Z10-10	SCREW -----	2	C
	S1485D20L	CLAMP -----	2	C
		-----*		
	0750160-1	DIP STICK -----	1	B
	0750211-1	DIP STICK -----	1	C
		LARGE OIL COOLER INSTALLATION -----	NP	B
	EQ5491S	KIT-OIL COOLER CM -----	1	B
-46	626189	OIL COOLER-ENGINE CM -----	1	B
-47	537312	PLATE-OIL COOLER END CM -----	1	B
	625303	GASKET CRANKCASE TO PLATE CM -----	1	B
	537282	GASKET OIL COOLER TO OIL COOLER PLATE CM -----	1	B
-48	0700318-2	BAFFLE ASSEMBLY -----	1	B
-49	0700309-2	BAFFLE ASSEMBLY -----	1	B
-50	0750152-2	BAFFLE-OIL COOLER INBOARD -----	1	B
-51	S1021Z10-8	SCREW -----	2	B
-52	NAS446-5-3	NUT -----	2	B
-53	0550209-1	PROBE-CARBURETOR AIR TEMP -----	1	
-54	AN912-3	BUSHING -----	1	
-55	0752037-1	ELBOW -----	1	
-56	S1167-4-0388	HOSE-OIL PRESSURE -----	1	
		ATTACHING PARTS		
-57	0752038-1	BRACKET -----	1	
-58	MS21919DG9	CLAMP -----	2	
-59	S1485D12U	CLAMP TIN -----	1	
	S1021Z10-10	SCREW -----	2	
	NAS446-4-3	NUT -----	1	
		-----*		
-60	S1053K24T	HOSE-AIR INTAKE 20 IN LG BULK ITEM -----	1	
		REF S1053K24T20.0		
		ATTACHING PARTS		
-61	NAS398-50	CLAMP TIN A3122-50-1 -----	2	
		-----*		

CONTINUED ON NEXT PAGE

FIGURE AND INDEX NO.	PART NUMBER	DESCRIPTION	UNITS PER ASSY	USABLE ON CODE
		1 2 3 4 5 6 7		
77 -62	S1053K20T	HOSE-AIR INTAKE 50 IN. LG. BULK ITEM ----- REF S-1053K20T50.0	1	
		ATTACHING PARTS		
-63	NAS398-42	CLAMP TIN A3122-42-1 -----	2	
-64	TA732D42	CLAMP THAS -----	2	
	S1485D14L	CLAMP TIN -----	1	
	S1485D16U	CLAMP TIN -----	1	
	S1021Z10-12	SCREW -----	2	
		---*---		
-65	0750607-4	SHROUD ASSEMBLY-OUTBOARD -----	1	C
	0750607-5	SHROUD ASSEMBLY-INBOARD -----	1	C
		ATTACHING PARTS		
-66	AN3-5A	BOLT -----	2	C
-67	0750225-1	CLAMP -----	2	C
-68	0750225-2	CLAMP -----	2	C
-69	AN3-4A	BOLT -----	3	C
	MS21044N3	NUT -----	5	C
		---*---		
-70	MS21919DG40	CLAMP -----	1	C
	S1485D14U	CLAMP -----	1	C
		ATTACHING PARTS		
	S1021Z10-8	SCREW -----	1	
		---*---		
		ALTERNATOR INSTALLATION SEE FIGURE 122 -----	1	J
-71		SPARK PLUG SEE FIGURE 77B -----	12	
-72	S1964-3	OIL VALVE ASSEMBLY-QUICK DRAIN -----	1	
<p>NOTE. **WHEN REPLACING THIS ITEM FOR FLOATPLANES & AMPHIBIANS ORDER PART MARKED #.</p> <p>A---SERIAL 18051184 & ON B---SERIAL 18051184 THRU 18051312 C---SERIAL 18051313 & ON D---SERIAL 18051184 THRU 18051336 E---SERIAL 18051337 THRU 18051567 F---SERIAL 18051184 THRU 18051447 G---SERIAL 18051448 & ON H---SERIAL 18051184 THRU 18051445 J---SERIAL 18051446 & ON K---SERIAL 18051568 THRU 18051755 L---SERIAL 18051756 & ON M---SERIAL 18052104 & ON</p>				

Engine (Cont)



SERIAL 18051184 & ON
SERIAL 185-0513 & ON

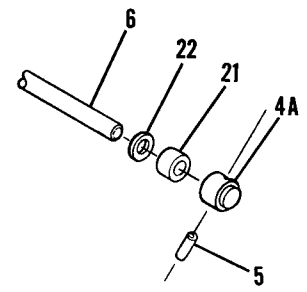
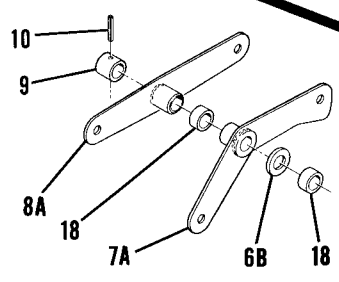
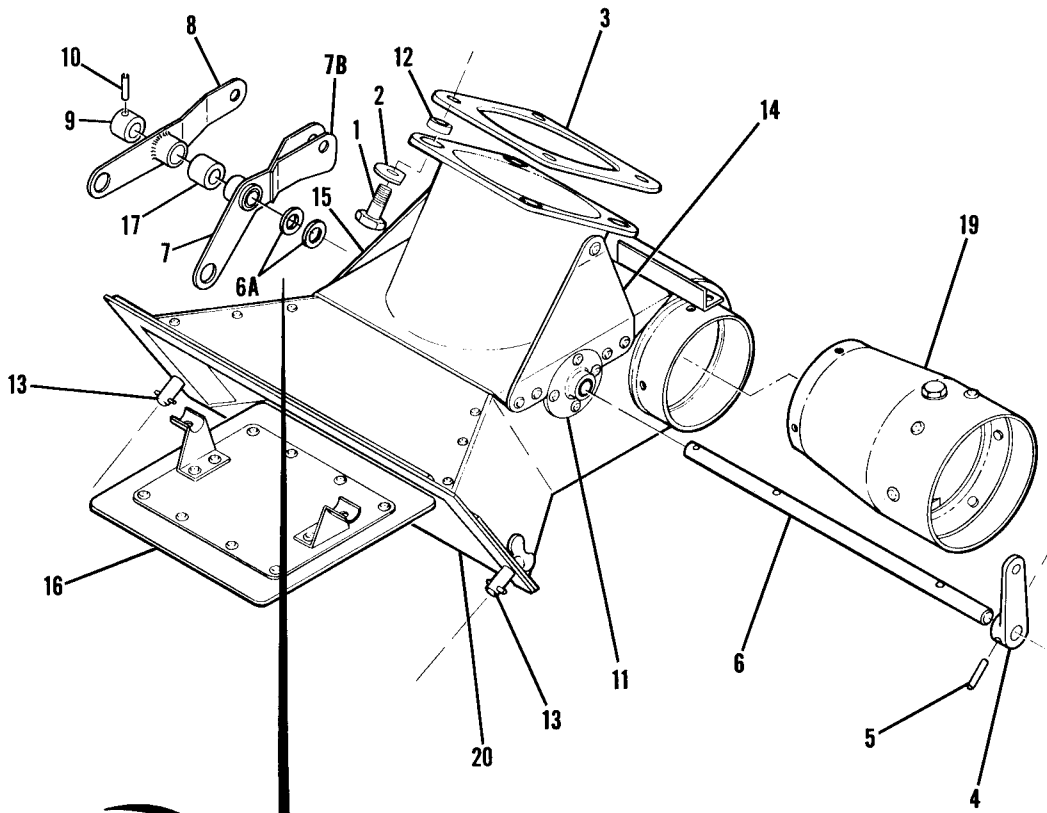
Figure 77A. Non Congealing Oil Cooler Installation

FIGURE AND INDEX NO.	PART NUMBER	DESCRIPTION	UNITS PER ASSY	USABLE ON CODE
		1 2 3 4 5 6 7		
77A-		OIL COOLER INSTALLATION-NON CONGEALING -----	NP	A
- 1	626332	PLATE-OIL COOLER CM -----	1	
- 2	626342	GASKET-OIL COOLER TO PLATE CM -----	1	
	626341	GASKET-PLATE TO CRANKCASE CM -----	1	
- 3	639151	COOLER-ENGINE OIL 9 IN CM -----	1	B
	639171	COOLER-ENGINE OIL 8 IN CM -----	1	E
	625966	GASKET-PLUG -----	1	
- 4	0750152-3	BAFFLE -----	1	
- 5	0700123-4	BAFFLE -----	1	B
	0700123-7	BAFFLE -----	1	C
	0755002-2	BAFFLE -----	1	D
- 6	S202RB	MOULDING-8.50 IN LG BKI REF S202R850B -----	1	B
	S202RB	MOULDING-7.50 IN LG BKI REF S202R0750B -----	1	C
	S202RB	MOULDING-5.80 IN LG BKI REF S202R0580B -----	1	D
- 7	S1021Z6-6	SCREW -----	2	
- 8	NAS446-2-3	NUT -----	2	
- 9	0700123-2	BAFFLE ASSEMBLY -----	1	B
	0700123-9	BAFFLE ASSEMBLY -----	1	C
	0700123-14	BAFFLE ASSEMBLY -----	1	D
-10	0700318-7	SEAL -----	1	
-11	S202RB	MOULDING-5.00 IN LG BULK ITEM REF S202R0500B -----	1	
-12	0700318-8	SEAL -----	1	
-13	S202RB	MOULDING-11.50 IN LG BULK ITEM REF S202R1150B -----	1	
<p>A---SERIAL 18051184 & ON SERIAL 185-0513 & ON</p> <p>B---SERIAL 18051184 THRU 18052187 SERIAL 185-0513 THRU 18501860</p> <p>C---SERIAL 18052188 THRU 18052210 SERIAL 18501860 THRU 18501894 & 18501896 THRU 18501910, 18501912, 18501913, 18501915, 18501917 THRU 18501921, 18501923 THRU 18501926</p> <p>D---SERIAL 18052211 & ON SERIAL 18501895, 18501911, 18501914, 18501916, 18501922, 18501927 & ON</p> <p>E---SERIAL 18052188 & ON SERIAL 18501861 & ON</p>				

This page intentionally left blank.

FIGURE AND INDEX NO.	PART NUMBER	DESCRIPTION	UNITS PER ASSY	USABLE ON CODE
		1 2 3 4 5 6 7		
77B-		* ENGINE COMPONENTS & ASSOCIATED ACCESSORIES MODEL 180 -----	NP	A
- 1	631237	MAGNETO CM SCINTILLA S6RN25 -----	2	B
	625765	MAGNETO CM SLICK -----	2	C
- 2	534750	GASKET-MAGNETO TO CRANKCASE CM -----	2	
- 3	629076	MAGNETO DRIVE GEAR CM -----	1	
- 4	633005	IGNITION HARNESS-BENDIX LIGHT WEIGHT COMPLETE ASSEMBLY CM-----	1	B
	633006	IGNITION HARNESS-RH BENDIX LIGHT WEIGHT CM -----	1	B
	633007	IGNITION HARNESS-LH BENDIX LIGHT WEIGHT CM -----	1	B
- 5	633311	IGNITION HARNESS COMPLETE CM SLICK -----	1	C
- 6	625093	OIL COOLER CM -----	1	
	627392	OIL COOLER CM -----	1	
- 7	625017	GASKET-COOLER TO PLATE CM -----	1	
- 8	625303	GASKET-CRANKCASE TO PLATE CM -----	1	
- 9		NON CONGEALING OIL COOLER SEE FIGURE 77A -----	1	
-10	0750140-5	GENERATOR 627272 CM DELCO 1101912, 1101895 OR 1101909 -	1	D
-11	539547	GENERATOR DRIVE BELT CM -----	1	D
-12		ALTERNATOR-52 AMP 14 VOLT REFER TO SERVICE LETTER 66-1 --	1	E
	C611501-0101	ALTERNATOR-60 AMP 14 VOLT SEE FIGURES 122 & 123A -----	1	F
-13	0413205-11	VOLTAGE REGULATOR-USED WITH 50 AMP GENERATOR -----	1	D
	0750216-1	VOLTAGE REGULATOR-USED WITH 52 AMP ALTERNATOR WHEN -----	1	E
		EXHAUSTED USE C611001-0101		
	C611001-0101	VOLTAGE REGULATOR-USED WITH 60 AMP ALTERNATOR -----	1	F
-14	S1597-1-31.2	ALTERNATOR DRIVE BELT -----	1	E
	S1597-1-30.8	ALTERNATOR DRIVE BELT -----	1	F
-15	538076	BEVEL GEAR-GOVERNOR DRIVE CM -----	1	
-16	629176	STARTER-12 VOLT HEAVY DUTY CM DELCO 1108249 -----	1	
-17	MS9021-038	O RING-STARTER TO ENGINE -----	1	
-18	0750142-1	GASKET-CARBURETOR AIR BOX TO CARBURETOR -----	1	
-19	633027	CARBURETOR CM MARVEL SCHEBLER TYPE MA4-5, P/N 10-4893 ---	1	
-20	35985	GASKET-CARBURETOR TO ENGINE CM -----	1	
-21	0750038-4	AIR FILTER-CARBURETOR -----	1	
-22	0750038-3	GASKET-AIR FILTER LANDPLANES -----	1	
	0750146-4	GASKET-AIR FILTER FLOATPLANES -----	1	
-23	SH15C	# SPARK PLUG FOR USE IN SHIELDED SYSTEMS -----	12	
		WITH 5-8-24-3A THREADS		
	SH20A	# SPARK PLUG FOR USE IN SHIELDED SYSTEMS -----	12	
		WITH 5-8-24-3A THREADS		
	SH200A-C	# SPARK PLUG FOR USE IN SHIELDED SYSTEMS -----	12	
		WITH 3-4-20-3A THREADS		
-24		GOVERNOR SEE FIGURES 79, 79A, 81 & 81A FOR APPLICABILITY-	1	
<p>NOTE. *THIS LISTING IS COMPILED TO PROVIDE PART NUMBERS OF COMMONLY USED ENGINE COMPONENTS AND ASSOCIATED ACCESSORIES. RELATIONSHIP OF THESE PARTS TO ENGINE OR AIRCRAFT ASSEMBLIES IS NOT INDICATED BY INDENTATION. THIS FIGURE IS NOT ILLUSTRATED. INDEX NUMBERS ARE PROVIDED FOR LOCATION OF LINE ON WHICH PART NUMBER APPEARS.</p> <p>NOTE. #SPARK PLUGS ARE LISTED IN ORDER OF HEAT RANGE, PROGRESSIVELY COLDER FROM TOP LISTING TO BOTTOM.</p> <p>A---SERIAL 18051184 & ON B---SERIAL 18051184 THRU 18051774 C---SERIAL 18051775 & ON D---SERIAL 18051184 THRU 18051445 E---SERIAL 18051446 THRU 18051607 F---SERIAL 18051608 & ON</p>				

Engine (Cont)



SERIAL 185-1480 THRU 18501832

SERIAL 185-1301 THRU 18501832

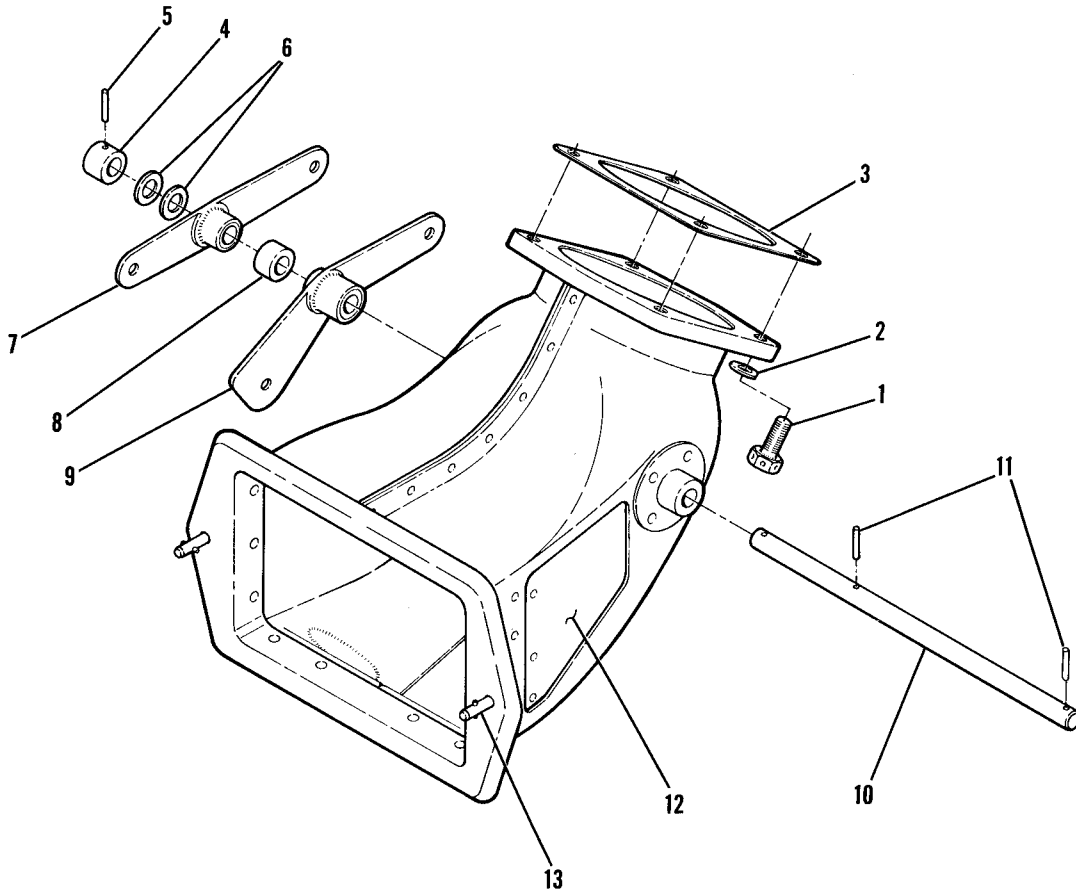
SERIAL 185-0001 THRU 18501832

Figure 78. Induction System Air Box Assembly



FIGURE AND INDEX NO.	PART NUMBER	DESCRIPTION	UNITS PER ASSY	USABLE ON CODE		
					1	2
78 -	0750162-6	AIR BOX ASSEMBLY-INDUCTION SYSTEM -----	1	A		
	0750162-7	AIR BOX ASSEMBLY-INDUCTION SYSTEM -----	1	C		
	0750162-9	AIR BOX ASSEMBLY-INDUCTION SYSTEM -----	1	G		
	0750162-10	AIR BOX ASSEMBLY-INDUCTION SYSTEM -----	1	H		
		ATTACHING PARTS				
- 1	MS20074-04-4	BOLT -----	4			
- 2	0750131-1	WASHER -----	4			
- 3	0750175-1	GASKET -----	1			
		-----*				
- 4	0750111-19	ARM ASSEMBLY -----	1	D		
- 4A	0750111-21	BOSS-SHAFT -----	1	E		
		ATTACHING PARTS				
- 5	MS16562-16	PIN-ROLL -----	1			
		-----*				
- 6	0750173-1	SHAFT-VALVE -----	1	D		
	0750173-2	SHAFT-BELLCRANK -----	1	E		
- 6A	AN960-516	WASHER -----	2	F		
- 6B	AN960-516	WASHER -----	1	H		
- 7	0750163-4	BELLCRANK ASSEMBLY-THROTTLE CONTROL -----	1	F		
- 7A	0750182-4	BELLCRANK ASSEMBLY-THROTTLE CONTROL -----	1	H		
- 7B	0750207-1	STRIKER-MICRO SWITCH -----	1	B		
	0750207-2	BRACKET-MICRO SWITCH -----	1	B		
	0750207-3	BRACKET-MICRO SWITCH -----	1	H		
- 8	0750164-5	BELLCRANK ASSEMBLY-MIXTURE CONTROL -----	1	F		
- 8A	0750181-1	BELLCRANK ASSEMBLY-MIXTURE CONTROL -----	1	H		
- 9	0750171-5	SPACER -----	1			
		ATTACHING PARTS				
-10	MS1652-16	PIN-ROLL -----	1			
		-----*				
-11	0750113-1	HOUSING ASSEMBLY -----	2			
-12	0750167-1	BUSHING -----	4			
-13	W98293-3-320	STUD ALIC -----	1			
	S1853-4	PIN -----	2			
	AN960-10L	WASHER -----	2			
-14	0750162-3	BRACE LH -----	1			
-15	0750162-4	BRACE RH -----	1			
-16	0750133-7	VALVE -----	1	D		
-17	0750171-1	SPACER -----	1	F		
-18	0750180-1	SPACER -----	2	H		
-19	0750174-3	INLET ASSEMBLY-ALTERNATE AIR -----	1			
-20	0750179-8	DRAIN ASSEMBLY -----	1			
-21	0750171-1	SPACER -----	1	E		
-22	AN960-516	WASHER .063 THICK -----	AR	E		
	AN960-516L	WASHER .032 THICK -----	AR	E		
	NAS70CL328-563	WASHER .016 THICK -----	AR	E		
		A---SERIAL 185-0001 THRU 185-0512				
		B---SERIAL 185-0513 THRU 185-1479				
		C---SERIAL 185-0513 THRU 185-1300				
		D---SERIAL 185-0001 THRU 185-1300				
		E---SERIAL 185-1301 THRU 18501832				
		F---SERIAL 185-0001 THRU 185-1479				
		G---SERIAL 185-1301 THRU 185-1479				
		H---SERIAL 185-1480 THRU 18501832				

Engine (Cont)



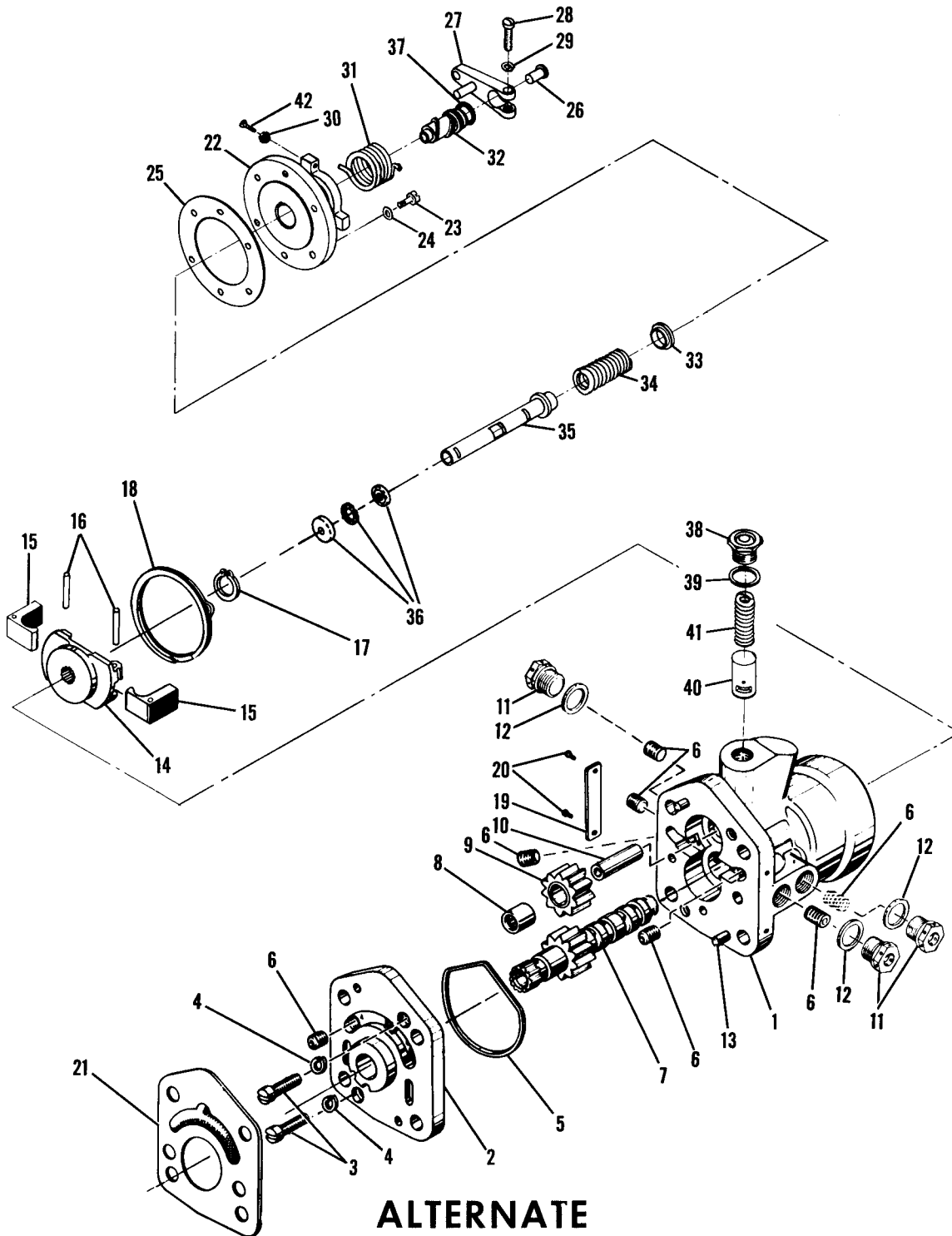
**SERIAL 18501833 THRU 18502007,
18502026, 18502027**

Figure 78A. Induction Air Box Assembly



FIGURE AND INDEX NO.	PART NUMBER	DESCRIPTION	UNITS	USABLE
			PER ASSY	ON CODE
		1 2 3 4 5 6 7		
78A-	1650012-1	AIR BOX ASSEMBLY-INDUCTION ----- ATTACHING PARTS	1	A
- 1	MS20074-04-4	BOLT -----	4	
- 2	0750131-1	WASHER -----	4	
- 3	0750175-1	GASKET ----- *-----	1	
- 4	0750171-5	SPACER ----- ATTACHING PARTS	1	
- 5	MS16562-12	ROLL PIN ----- *-----	1	
- 6	NAS70CL328-563 AN960-516L	WASHER .016 THICK ----- WASHER .032 THICK -----	AR AR	
- 7	0750181-1	BELLCRANK-MIXTURE -----	1	
- 8	0750171-1	SPACER -----	1	
- 9	1650015-1	BELLCRANK-THROTTLE -----	1	
-10	1650014-2	SHAFT ----- ATTACHING PARTS	1	
-11	NAS561P6-12	ROLL PIN ----- *-----	2	
-12	1650019-8	DOOR ASSEMBLY-ALTERNATE AIR ----- ATTACHING PARTS	1	
	1650020-1	SPACER ----- *-----	1	
-13	W98293-3-320 S1853-4 AN960-10L	STUD ----- PIN ----- WASHER -----	2 2 2	
		A---SERIAL 18501833 THRU 18502007, 18502026, 18502027		

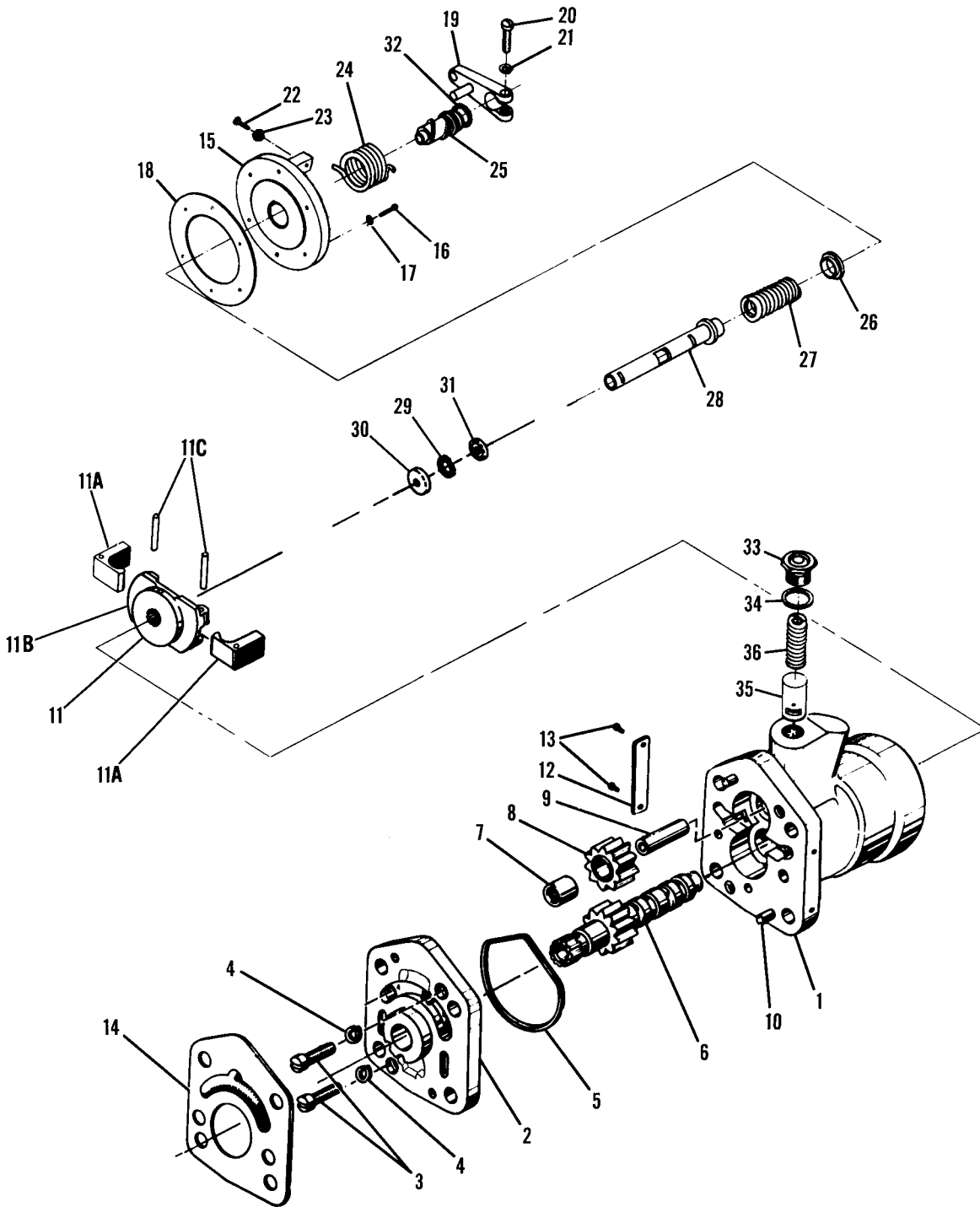
Engine (cont)



ALTERNATE
SERIAL 18051184 THRU 18051993
SERIAL 185-0001 THRU 185-1149 (260 HP)

Figure 79. Propeller Governor Assembly

FIGURE AND INDEX NO.	PART NUMBER	DESCRIPTION	UNITS PER ASSY	USABLE ON CODE
		1 2 3 4 5 6 7		
79 -	0750101-61	GOVERNOR ASSEMBLY-PROPELLER ALT ORDER C161040-0103 ----	NP	A
- 1	210253	BODY-GOVERNOR WGV -----	1	
- 2	210259	BASE-GOVERNOR WGV -----	1	
		ATTACHING PARTS		
- 3	218036	SCREW WGV -----	2	
- 4	AN935-10	WASHER -----	2	
- 5	206336	O RING WGV -----	1	
		-----*		
- 6	190734	PLUG-PIPE WGV -----	6	
- 7	210206	GEAR-PUMP DRIVE WGV -----	1	
- 8	210036	BEARING-NEEDLE WGV -----	1	
- 9	204864	GEAR-PUMP IDLER WGV -----	1	
-10	210031	STUD-IDLER GEAR WGV -----	1	
-11	210095	PLUG-SCREW THREAD WGV -----	3	
-12	190733	WASHER WGV -----	3	
-13	184793	PIN-DOWEL WGV -----	2	
-14	210207	HEAD--FLY WEIGHT WGV -----	1	
-15	210289	FLY WEIGHT WGV -----	1	
-16	210112	PIN-FLY WEIGHT WGV -----	2	
-17	190094	RING-RETAINING WGV -----	1	
-18	192103	RING-SPIROLOX RETAINING WGV -----	1	
-19	193385	NAMEPLATE WGV -----	1	
		ATTACHING PARTS		
-20	AN535-0-2	SCREW -----	2	
		-----*		
-21	MS100009	GASKET-MOUNTING -----	1	
-22	210272	COVER-GOVERNOR WGV -----	1	
		ATTACHING PARTS		
-23	AN503-8-10	SCREW -----	4	
-24	AN935-8L	WASHER -----	4	
-25	206337	GASKET-COVER WGV -----	1	
		-----*		
-26	210293	PLUG-SPEED ADJUSTMENT WGV -----	1	
-27	210039	LEVER ASSEMBLY-SPEED ADJUSTMENT WGV -----	1	
-28	188434	SCREW WGV -----	1	
-29	AN935-10	WASHER -----	1	
-30	188302	NUT WGV -----	1	
-31	191869	SPRING-LEVER CONTROL WGV -----	1	
-32	210100	SHAFT & WORM ASSEMBLY-SPEED ADJUSTMENT WGV -----	1	
-33	210214	SEAT-SPEEDER SPRING WGV -----	1	
-34	192528	SPRING-SPEEDER WGV -----	1	
-35	210269	PLUNGER ASSEMBLY-PILOT VALVE WGV -----	1	
-36	180231	BEARING-PILOT VALVE WGV -----	1	
-37	182684	O RING WGV -----	1	
-38	218446	PLUG-RELIEF VALVE WGV -----	1	
-39	186320	GASKET WGV -----	1	
-40	210257	PLUNGER-RELIEF VALVE WGV -----	1	
-41	192558	SPRING-RELIEF VALVE WGV -----	1	
-42	190576	SCREW WGV -----	1	
		A---SERIAL 18051184 THRU 18051993 SERIAL 185-0001 THRU 185-1149 260 HP		

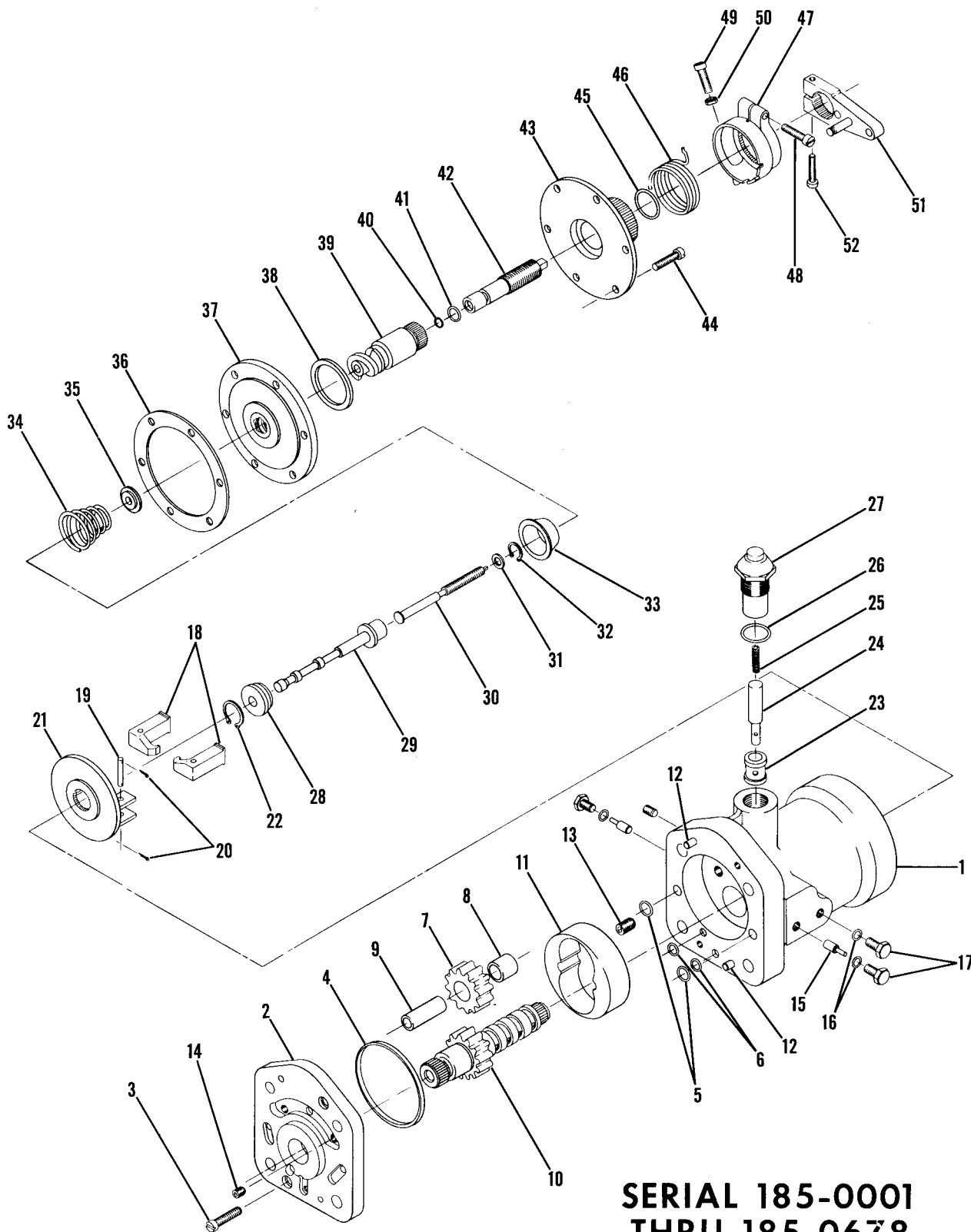


**SERIAL 18051184 & ON
SERIAL 185-0001 THRU 185-1149 (260 HP)**

Figure 79A. Propeller Governor Assembly

FIGURE AND INDEX NO.	PART NUMBER	*	DESCRIPTION							UNITS PER ASSY	USABLE ON CODE
			1	2	3	4	5	6	7		
79A-	C161040-0103	*	GOVERNOR ASSEMBLY-PROPELLER -----							1	A
- 1	210253		BODY-GOVERNOR WGV -----							1	
- 2	213214		BASE-GOVERNOR WGV -----							1	
			ATTACHING PARTS								
- 3	189744		SCREW WGV -----							2	
- 4	218547		WASHER WGV -----							2	
- 5	206336		GASKET-BASE WGV -----							1	
			-----*								
- 6	210396		GEAR-PUMP DRIVE WGV -----							1	
- 7	210036		BEARING-NEEDLE WGV -----							1	
- 8	204864		GEAR-PUMP IDLER WGV -----							1	
- 9	210031		STUD-IDLER GEAR WGB -----							1	
-10	210261		PIN-DOWEL WGV -----							2	
-11	210382		HEAD ASSEMBLY-FLYWEIGHT WGV -----							1	
-11A	196195		FLYWEIGHT -----							2	
-11B	210393		HEAD-FLYWEIGHT WGV -----							1	
	210394		KEEPER -----							1	
-11C	214202		PIN-FLYWEIGHT -----							2	
-12	193385		NAMEPLATE WGV -----							1	
			ATTACHING PARTS								
-13	189574		DRIVE PIN WGV -----							2	
			-----*								
-14	MS100009		GASKET-MOUNTING -----							1	
-15	210399		COVER-GOVERNOR WGB -----							1	
			ATTACHING PARTS								
-16	189482		SCREW WGB -----							6	
-17	189739		WASHER WGV -----							6	
-18	206337		GASKET-COVER WGV -----							1	
			-----*								
-19	210039		LEVER ASSEMBLY-SPEED ADJUSTMENT WGV -----							1	
			ATTACHING PARTS								
-20	188434		SCREW WGV -----							1	
-21	188141		WASHER WGV -----							1	
			-----*								
-22	218537		SCREW-STOP WGV -----							1	
-23	188302		NUT WGB -----							1	
-24	191869		SPRING-LEVER RETURN WGV -----							1	
-25	213232		SHAFT-SPEED ADJUSTMENT WGB -----							1	
-26	210326		SEAT-SPEEDER SPRING WGV -----							1	
-27	192709		SPRING-SPEEDER WGV -----							1	
-28	210398		PLUNGER ASSEMBLY-PILOT -----							1	
-29	180231		BEARING-PILOT VALVE WGV -----							1	
-30	213200		RACE-PILOT VALVE BEARING LOWER WGV -----							1	
-31	210216		RACE-PILOT VALVE BEARING UPPER WGV -----							1	
-32	182747		O RING WGV -----							1	
-33	218446		PLUG-RELIEF VALVE WGV -----							1	
-34	186320		GASKET WGV -----							1	
-35	210257		PLUNGER-RELIEF VALVE WGB -----							1	
-36	192558		SPRING-RELIEF VALVE WGV -----							1	
<p>NOTE. *WHEN THIS GOVERNOR REPLACES 0750203-1 HOOF GOVERNOR ON MODEL 185 ALSO ORDER ONE EACH 0750138 ARM, AN3-5A BOLT & MS20365-1032C NUT.</p> <p>A---SERIAL 18051184 & ON SERIAL 185-0001 THRU 185-1149 260 HP</p>											

Engine (Cont)



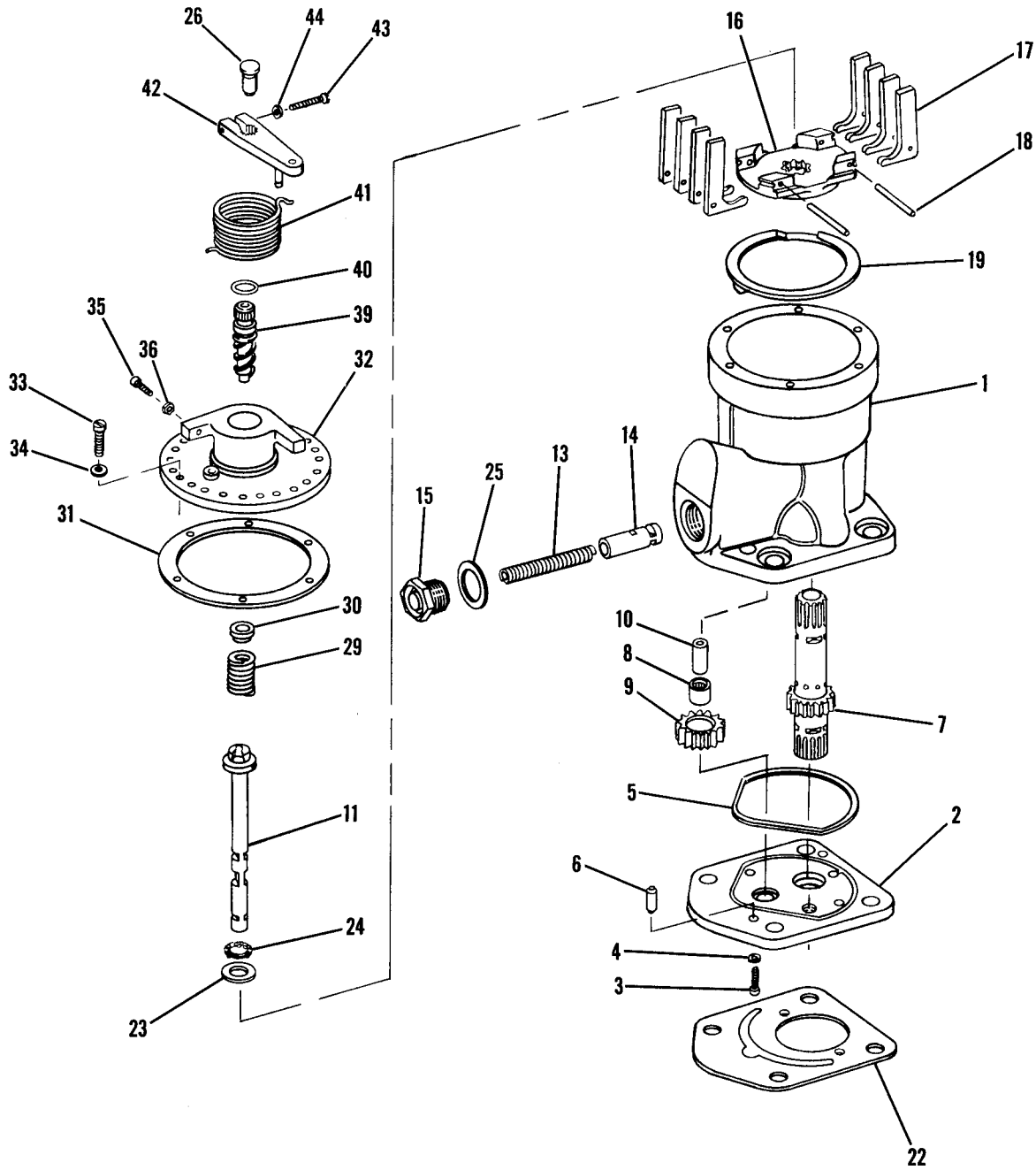
**SERIAL 185-0001
THRU 185-0678**

Figure 80. Propeller Governor Assembly - Hoof



FIGURE AND INDEX NO.	PART NUMBER	DESCRIPTION	UNITS PER ASSY	USABLE ON CODE
80 -	0750203-1	GOVERNOR ASSEMBLY-PROPELLER HOOF WHEN EXHAUSTED USE --- C161040-0103 OR 0550227-2 SEE FIGURES 79A & 81	1	A
- 1	1101-1	BODY-GOVERNOR HFP -----	1	
- 2	1101-3	COVER-PUMP HOUSING HFP -----	1	
		ATTACHING PARTS		
- 3	1114-6	SCREW HFP -----	2	
		---*---		
- 4	MS28775-136	O RING HFP -----	1	
- 5	MS28775-009	O RING HFP -----	2	
- 6	MS28775-008	O RING HFP -----	2	
- 7	1171-2	GEAR-IDLER HFP -----	1	
- 8	1133-3	BEARING-IDLER GEAR HFP -----	1	
- 9	1151-1	STUD-IDLER GEAR HFP -----	1	
-10	1171-9	GEAR-DRIVE HFP -----	1	
-11	1101-4	SEAL-RING HFP -----	1	
-12	1132-3	PIN-DOWEL HFP -----	2	
-13	1140-7	PLUG-PIPE HFP -----	2	
-14	1140-9	PLUG-PIPE HFP -----	1	
-15	1140-3	PLUG-BY PASS HFP -----	1	
-16	MS28775-10	O RING HFP -----	4	
-17	1140-5	PLUG HFP -----	4	
-18	1173-1	FLY WEIGHT HFP -----	2	
-19	1132-1	PIN-FLYWEIGHT HFP -----	2	
		ATTACHING PARTS		
-20	1132-5	PIN-COTTER HFP -----	2	
		---*---		
-21	1231-1	DISC-GOVERNOR DRIVE HFP -----	1	
-22	1165-2	RING-RETAINING HFP -----	1	
-23	1230-1	SEAT HFP -----	1	
-24	1226-3	PISTON HFP -----	1	
-25	1110-4	SPRING-RELIEF VALVE HFP -----	1	
-26	MS28775-014	O RING HFP -----	1	
-27	1140-2	PLUG-RELIEF VALVE HFP -----	1	
-28	1133-4	BEARING-THRUST HFP -----	1	
-29	1226-4	SPOOL HFP -----	1	
-30	1127-2	SHAFT-LIFTING HFP -----	1	
-31	1117-3	WASHER-SPOOL HFP -----	1	
-32	1165-3	RING-RETAINING HFP -----	1	
-33	1131-2	CUP-SPOOL HFP -----	1	
-34	1110-9	SPRING-CONICAL HFP -----	1	
-35	1103-1	END CAP-SPRING HFP -----	1	
-36	1107-1	GASKET-COVER HFP -----	1	
-37	1066-2	NUT-FLANGE HFP -----	1	
-38	MS28775-023	O RING HFP -----	1	
-39	1127-4	SHAFT-CONTROL HFP -----	1	
-40	1106-1	O RING HFP -----	1	
-41	MS28775-008	O RING HFP -----	1	
-42	1104-7	SHAFT-ADJUSTING HFP -----	1	
-43	1104-2	COVER-GOVERNOR ASSEMBLY HFP -----	1	
		ATTACHING PARTS		
-44	AN500A10-10	SCREW HFP -----	6	
		---*---		
-45	MS28775-016	O RING HFP -----	1	
-46	1110-1	SPRING-TORSION HFP -----	1	
-47	1232-4	STOP-TRAVEL HFP -----	1	
		ATTACHING PARTS		
-48	1114-4	SCREW HFP -----	1	
		---*---		
-49	1114-7	SCREW-STOP HFP -----	1	
-50	1115-1	NUT-LOCK HFP -----	1	
-51	1104-4	LEVER-CONTROL HFP -----	1	
		ATTACHING PARTS		
-52	1114-2	SCREW HFP -----	1	
		---*---		
A---SERIAL 185-0001 THRU 185-0678				

Engine (Cont)



**SERIAL 18051184 & ON
SERIAL 185-0001 THRU 185-1149 (260 HP)
ALTERNATE**

Figure 81. Propeller Governor Assembly-Garwin

FIGURE AND INDEX NO.	PART NUMBER	DESCRIPTION	UNITS PER ASSY	USABLE ON CODE
		1 2 3 4 5 6 7		
81 -	0550227-2 *	GOVERNOR ASSEMBLY-PROPELLER GARWIN ALTERNATE -----	1	A
- 1	34-828-1	BODY GARW -----	1	
- 2	34-828-2	BASE GARW -----	1	
		ATTACHING PARTS		
- 3	AN500-8-8	SCREW -----	2	
- 4	AN936A8	WASHER -----	2	
- 5	34-828-27	GASKET GARW -----	1	
		*-----		
- 6	34-828-34	PIN-DOWEL GARW OVERSIZE -----	2	
- 7	34-828-15	GEAR-DRIVE GARW -----	1	
- 8	GB59	BEARING TOR -----	1	
- 9	34-828-19	GEAR-PUMP IDLER GARW -----	1	
-10	34-828-7	STUD-IDLER GEAR -----	1	
-11	34-831-905	VALVE-PILOT PRESSURE TO INCREASE PITCH -----	1	
-12		DELETED-NEVER USED -----		
-13	34-828-20	SPRING-RELIEF VALVE GARW -----	1	
-14	34-828-11	PLUNGER-RELIEF VALVE GARW -----	1	
-15	34-828-24	PLUG GARW -----	1	
-16	34-828-14	BASE-FLY WEIGHT HEAD GARW -----	1	
-17	34-828-9	FLY WEIGHT -----	8	
		ATTACHING PARTS		
-18	B1316	PIN-DOWEL TOR -----	2	
		*-----		
-19	34-828-26	RING-SNAP GARW -----	1	
-20		DELETED NOT PROCURABLE -----		
-21		DELETED NOT PROCURABLE -----		
-22	MS100009	GASKET -----	1	
-23	34-828-12	RACE-BEARING GARW -----	1	
-24	R5673	BEARING NICE -----	1	
-25	34-828-25	WASHER-FLAT GARW -----	1	
-26	34-828-31	PLUG GARW -----	1	
-27		DELETED AVAILABLE IN 34-831-905 ASSEMBLY ONLY -----		
-28		DELETED AVAILABLE IN 34-831-905 ASSEMBLY ONLY -----		
-29	34-828-8	SPRING-SPEEDER GARW -----	1	
-30	34-828-10	SEAT-SPEEDER SPRING UPPER GARW -----	1	
-31	34-828-28	SEAL-COVER GARW -----	1	
-32	34-828-903	COVER ASSEMBLY GARW -----	1	
		ATTACHING PARTS		
-33	AN503-8-10	SCREW -----	6	
-34	AN935-8L	WASHER-LOCK -----	6	
		*-----		
-35	AN503-8-16	SCREW -----	1	
-36	AN340-8	NUT -----	1	
-37		DELETED OFFERED IN ASSEMBLY ONLY -----		
-38		DELETED OFFERED IN ASSEMBLY ONLY -----		
-39	34-828-907	SHAFT & GEAR ASSEMBLY GARW -----	1	
-40	AN6227B9	O RING -----	1	
-41	34-828-13	SPRING-CONTROL LEVER GARW -----	1	
-42	34-828-902	LEVER ASSEMBLY GARW -----	1	
-43	AN502-10-14	SCREW -----	1	
-44	AN935-10L	WASHER -----	1	

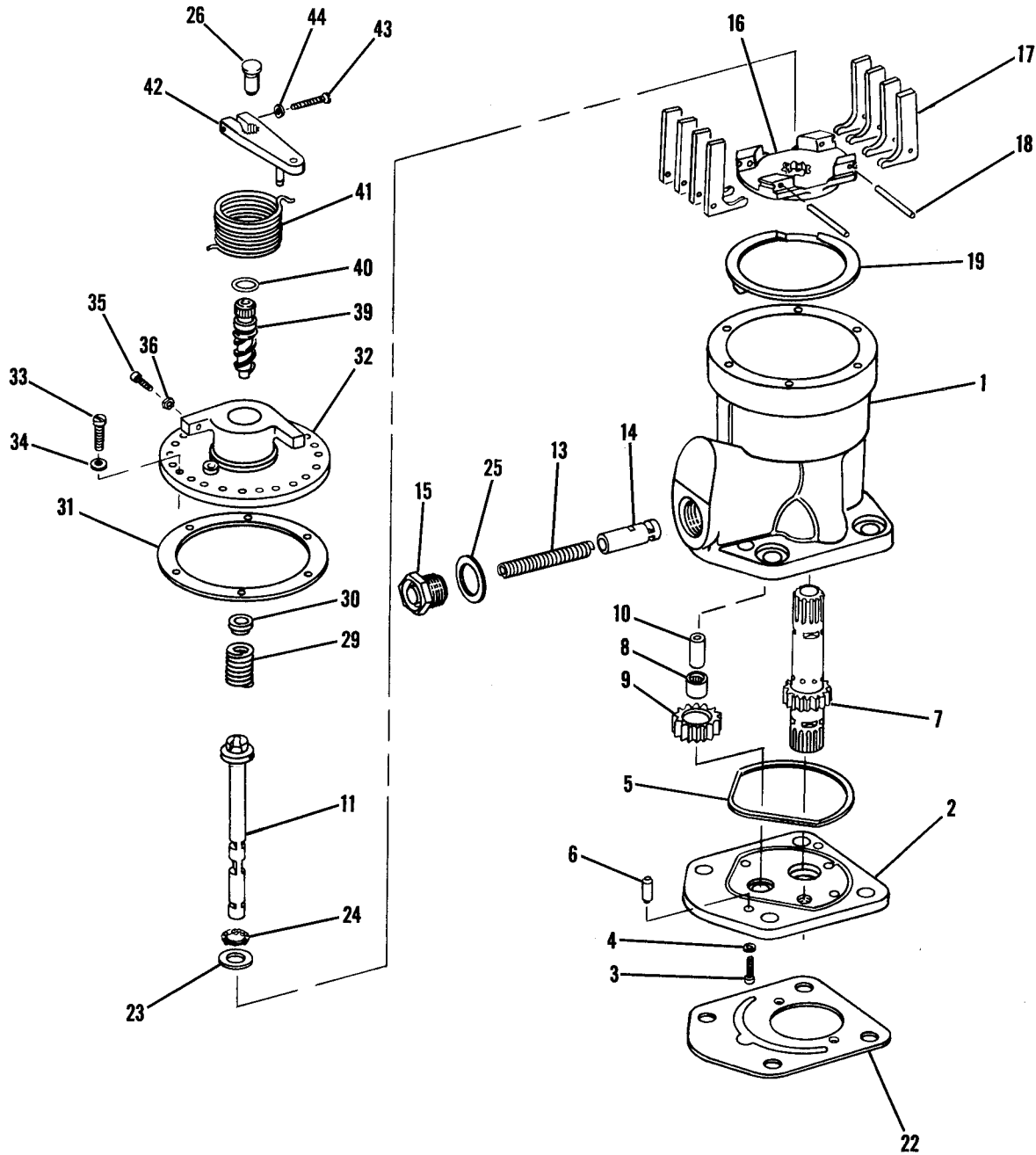
NOTE. *WHEN ORDERING THIS PART FOR AIRPLANES ON WHICH THIS PART REPLACES 0750203-1 HOOF GOVERNOR, ORDER UNDER PART NUMBER 0750165-200 GOVERNOR & BRACKET ASSEMBLY.

A---SERIAL 18051184 & ON
SERIAL 185-0001 THRU 185-1149 260 HP

FIGURE AND INDEX NO.	PART NUMBER	DESCRIPTION	UNITS PER ASSY	USABLE ON CODE
		1 2 3 4 5 6 7		
81A-	C161030-0102	GOVERNOR ASSEMBLY ALTERNATE -----	1	A
- 1	C20057	COVER-PUMP HOUSING MCL -----	1	
		ATTACHING PARTS -----		
- 2	AN500A10-8	SCREW -----	2	
		-----*		
- 3	C20073	GEAR-DRIVE MCL -----	1	
- 4	B20074	GEAR-IDLER MCL -----	1	
- 5	A1633-36	O RING MCL -----	1	
	B20085-2	HEAD ASSEMBLY-CONTROL MCL -----	1	
		ATTACHING PARTS -----		
- 5A	AN503-8-8	SCREW -----	6	
		-----*		
- 6	B20055	HOUSING ASSEMBLY-COVER MCL -----	1	
- 7	A20039	LEVER ASSEMBLY-CONTROL MCL -----	1	
		ATTACHING PARTS -----		
- 8	AN503-8-12	SCREW -----	1	
		-----*		
- 9	A20034	PIN-TORSION SPRING MCL -----	1	
-10	AN503-8-16	SCREW -----	2	
-11	AN340-8	NUT -----	2	
	A20083	PILOT SPOOL & END FITTING ASSEMBLY MCL -----	1	
-12	B20066	SPOOL-PILOT MCL -----	1	
-13	A20067	END FITTING-SPOOL MCL -----	1	
		ATTACHING PARTS -----		
-14	A20037	ROLL PIN MCL -----	1	
		-----*		
-15	A20071	RACE-BEARING MCL -----	1	
-16	A20086	BEARING-THRUST MCL -----	1	
-17	A20069-1	SPRING-SPEEDER MCL -----	1	
-18	B20040	SPRING-TORSIONAL MCL -----	1	
-19	A20068	SEAT-SPRING -----	1	
-20	MS28775-113	O RING MCL -----	1	
-21	C20075	SHAFT-CONTROL MCL -----	1	
	A20084B	DRIVE DISC & FLYWEIGHT ASSEMBLY MCL -----	1	
-22	A20063A	DISC-DRIVE MCL -----	1	
-23	A20064	FLYWEIGHT MCL -----	2	
		ATTACHING PARTS -----		
-24	A20070A	PIN-FLYWEIGHT MCL -----	2	
-25	A20072A	SPACER-FLYWEIGHT MCL -----	3	
-26	A20036	PIN-COTTER MCL -----	1	
		-----*		
-27	A20022	GASKET-COVER MCL -----	1	
-28	A20076	PLUG-RELIEF VALVE MCL -----	1	
-29	A20078	WASHER MCL -----	1	
-30	A20079	SPRING-PRESSURE RELIEF MCL -----	1	
-31	A20081	SHIM-PRESSURE RELIEF MCL -----	AR	
-32	B20077	PISTON MCL -----	1	
-33	B20082	BODY ASSEMBLY-GOVERNOR MCL -----	1	
-34	A20026	STUD-IDLER GEAR MCL -----	1	
-35	A20027	PIN-DOWEL MCL -----	2	
-36	MS100009	GASKET-MOUNTING -----	1	

A---SERIAL 18051313 & ON
SERIAL 185-0001 THRU 185-1149 260 HP

Engine (Cont)



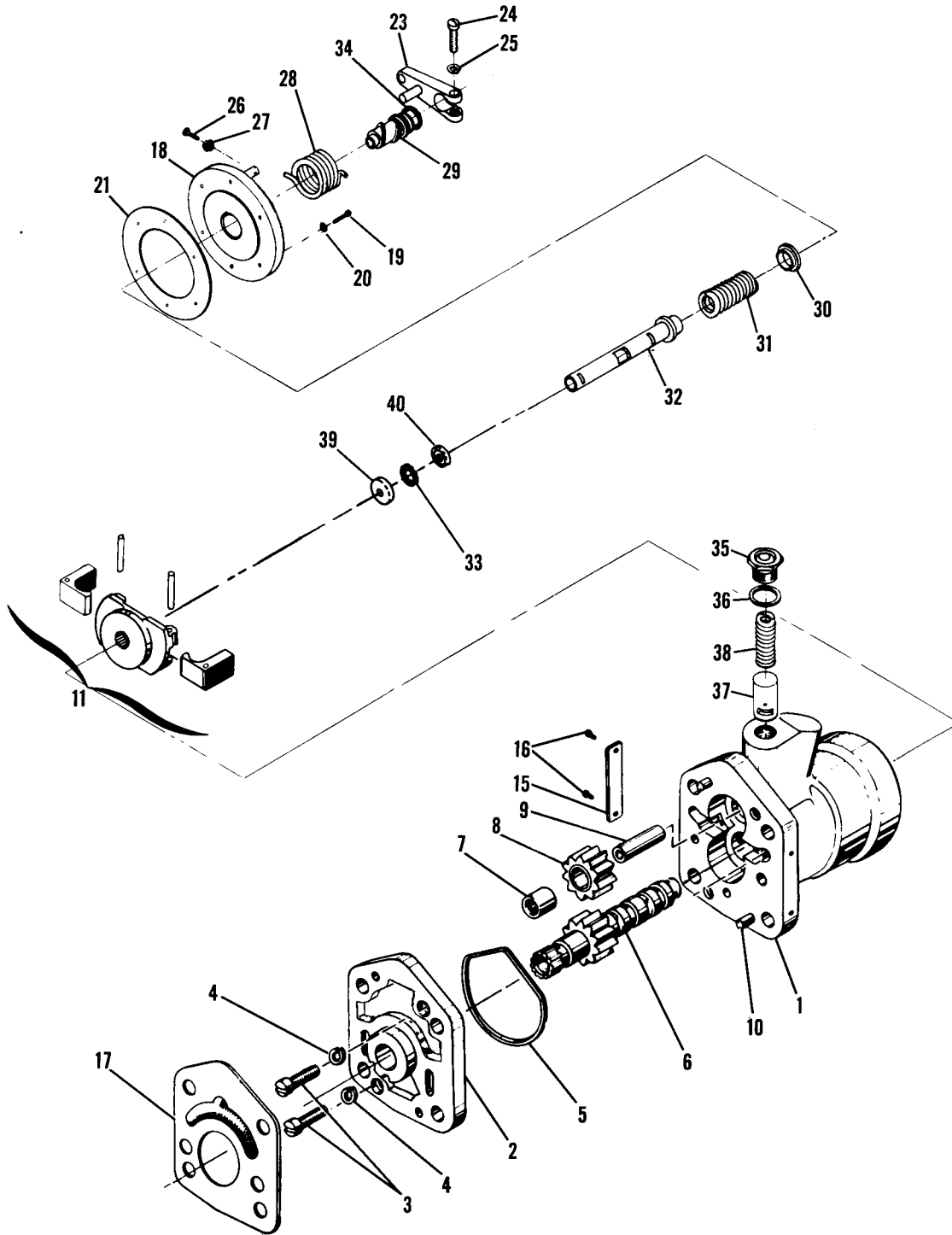
SERIAL 185-0968 & ON (300 HP)

Figure 81B. Propeller Governor Assembly-Garwin

FIGURE AND INDEX NO.	PART NUMBER	DESCRIPTION	UNITS PER ASSY	USABLE ON CODE
81B-	0550227-4	GOVERNOR ASSEMBLY-PROPELLER GARWIN -----	1	A
- 1	34-828-1	BODY GARW -----	1	
- 2	34-828-2	BASE GARW -----	1	
		ATTACHING PARTS		
- 3	AN500-8-8	SCREW -----	2	
- 4	AN936A8	WASHER -----	2	
- 5	34-828-27	GASKET GARW -----	1	
		*-----		
- 6	34-828-34	PIN-DOWEL GARW OVERSIZE -----	2	
- 7	34-828-15	GEAR-DRIVE GARW -----	1	
- 8	GB59	BEARING TOR -----	1	
- 9	34-828-19	GEAR-PUMP IDLER GARW -----	1	
-10	34-828-7	STUD-IDLER GEAR -----	1	
-11	34-831-905	VALVE-PILOT PRESSURE TO INCREASE PITCH -----	1	
-12		DELETED, NEVER USED -----		
-13	34-828-20	SPRING-RELIEF VALVE GARW -----	1	
-14	34-828-11	PLUNGER-RELIEF VALVE GARW -----	1	
-15	34-828-24	PLUG GARW -----	1	
-16	34-828-14	BASE-FLY WEIGHT HEAD GARW -----	1	
-17	34-828-9	FLY WEIGHT -----	8	
		ATTACHING PARTS		
-18	B1316	PIN-DOWEL TOR -----	2	
		*-----		
-19	34-828-26	RING-SNAP GARW -----	1	
-20		DELETED NOT PROCURABLE -----		
-21		DELETED NOT PROCURABLE -----		
-22	MS100009	GASKET -----	1	
-23	34-828-12	RACE-BEARING GARW -----	1	
-24	R5673	BEARING NICE -----	1	
-25	34-828-25	WASHER-FLAT GARW -----	1	
-26	34-828-31	PLUG GARW -----	1	
-27		DELETED AVAILABLE IN 34-831-905 ASSEMBLY ONLY -----		
-28		DELETED AVAILABLE IN 34-831-905 ASSEMBLY ONLY -----		
-29	34-828-8	SPRING-SPEEDER GARW -----	1	
-30	34-828-10	SEAT-SPEEDER SPRING UPPER GARW -----	1	
-31	34-828-28	SEAL-COVER GARW -----	1	
-32	34-828-903	COVER ASSEMBLY GARW -----	1	
		ATTACHING PARTS		
-33	AN503-8-10	SCREW -----	6	
-34	AN935-8L	WASHER-LOCK -----	6	
		*-----		
-35	AN503-8-16	SCREW -----	1	
-36	AN340-8	NUT -----	1	
-37		DELETED NOT PROCURABLE -----		
-38		DELETED NOT PROCURABLE -----		
-39	34-828-907	SHAFT & GEAR ASSEMBLY GARW -----	1	
-40	AN622789	O RING -----	1	
-41	34-828-13	SPRING-CONTROL LEVER GARW -----	1	
-42	34-828-902	LEVER ASSEMBLY GARW -----	1	
-43	AN502-10-14	SCREW -----	1	
-44	AN935-10L	WASHER -----	1	

A---SERIAL 185-0968 & ON 300 HP ONLY

Engine (Cont)



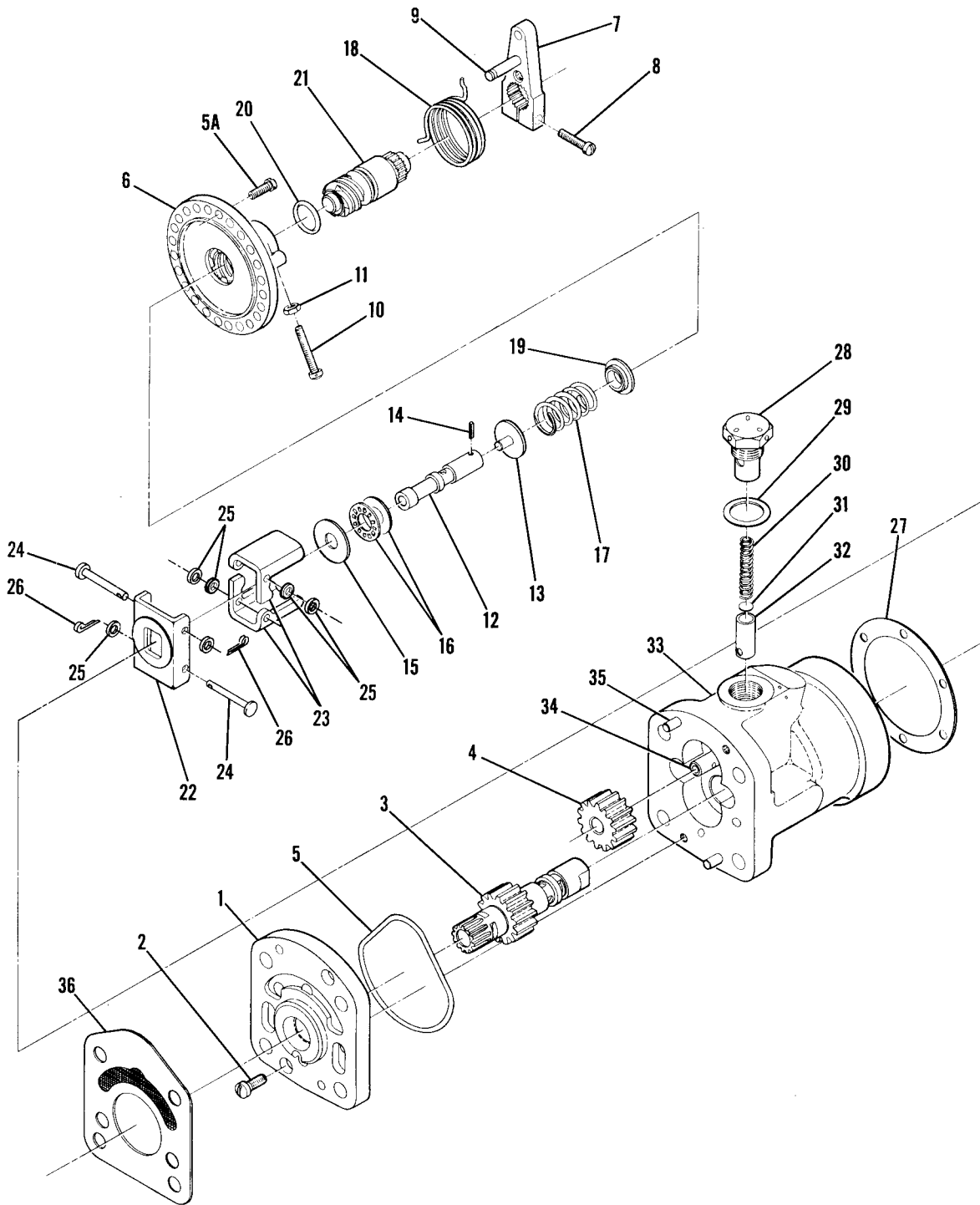
**SERIAL 185-0968 & ON (300 HP)
ALTERNATE**

Figure 81C. Propeller Governor Assembly

FIGURE AND INDEX NO.	PART NUMBER	DESCRIPTION	UNITS PER ASSY	USABLE ON CODE
		1 2 3 4 5 6 7		
81C-	C161040-0107	GOVERNOR ASSEMBLY-PROPELLER ALTERNATE -----	1	A
- 1	210253	BODY-GOVERNOR WGV -----	1	
- 2	213214	BASE-GOVERNOR WGV -----	1	
		ATTACHING PARTS		
- 3	189744	SCREW WGV -----	2	
- 4	218547	WASHER WGV -----	2	
- 5	206336	O RING WGV -----	1	
		-----*		
- 6	210396	GEAR-PUMP DRIVE WGV -----	1	
- 7	210036	BEARING-NEEDLE WGV -----	1	
- 8	204864	GEAR-PUMP IDLER WGV -----	1	
- 9	210031	STUD-IDLER GEAR WGV -----	1	
-10	210261	PIN-DOWELL WGV -----	2	
-11	5021-002	HEAD ASSEMBLY-FLYWEIGHT WGV -----	1	
-12		DELETED, NOT AVAILABLE -----		
-13		DELETED, NOT AVAILABLE -----		
-14		DELETED, NOT AVAILABLE -----		
-15	193385	NAMEPLATE WGV -----	1	
		ATTACHING PARTS		
-16	189574	PIN-DRIVE WGV -----	2	
		-----*		
-17	MS100009	GASKET-MOUNTING -----	1	
-18	210399	COVER-GOVERNOR WGV -----	1	
		ATTACHING PARTS		
-19	189482	SCREW WGV -----	4	
-20	189739	WASHER WGV -----	4	
-21	206337	GASKET COVER WGV -----	1	
		-----*		
-22		DELETED, NEVER USED -----		
-23	210039	LEVER ASSEMBLY-SPEED ADJUSTMENT WGV -----	1	
-24	188434	SCREW WGV -----	1	
-25	188141	WASHER WGV -----	1	
-26	218537	SCREW WGV -----	1	
-27	188302	NUT WGV -----	1	
-28	151869	SPRING-LEVER CONTROL WGV -----	1	
-29	213232	SHAFT & WORM ASSEMBLY-SPEED ADJUSTMENT WGV -----	1	
-30	210326	SEAT-SPEEDER SPRING WGV -----	1	
-31	192707	SPRING-SPEEDER WGV -----	1	
-32	210398	PLUNGER ASSEMBLY-PILOT VALVE WGV -----	1	
-33	180231	BEARING-PILOT VALVE WGV -----	1	
-34	182747	O RING WGV -----	1	
-35	218446	PLUG-RELIEF VALVE WGV -----	1	
-36	186320	GASKET WGV -----	1	
-37	210257	PLUNGER-RELIEF VALVE WGV -----	1	
-38	192558	SPRING RELIEF VALVE WGV -----	1	
-39	213200	RACE-PILOT VALVE BEARING LOWER WGV -----	1	
-40	210216	RACE-PILOT VALVE BEARING UPPER WGV -----	1	

A---SERIAL 185-0968 & ON 300 HP ONLY

Engine (Cont)

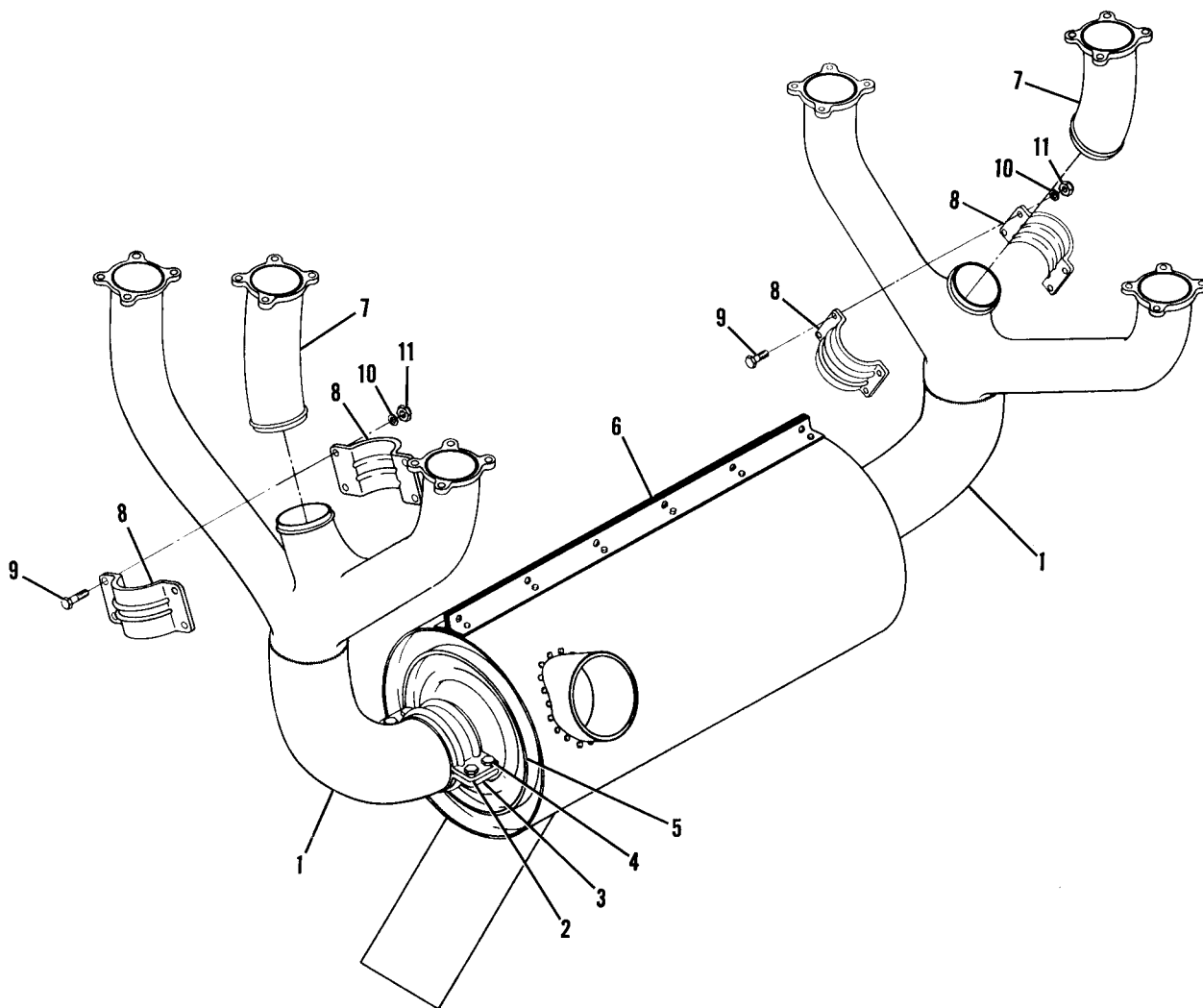


**SERIAL 185-0968 & ON (300 HP)
ALTERNATE**

Figure 81D. Governor Assembly

FIGURE AND INDEX NO.	PART NUMBER	DESCRIPTION	UNITS PER ASSY	USABLE ON CODE
		1 2 3 4 5 6 7		
81D-	C161030-0107	GOVERNOR ASSEMBLY ALTERNATE -----	1	A
- 1	C20057	COVER-PUMP HOUSING MCL -----	1	
		ATTACHING PARTS -----		
- 2	AN500A10-8	SCREW -----	2	
		---*---		
- 3	C20073	GEAR-DRIVE MCL -----	1	
- 4	B20074	GEAR-IDLER MCL -----	1	
- 5	A1633-36	O RING MCL -----	1	
	B20085-2	HEAD ASSEMBLY-CONTROL MCL -----	1	
		ATTACHING PARTS -----		
- 5A	AN503-8-8	SCREW -----	6	
		---*---		
- 6	B20055	HOUSING ASSEMBLY-COVER MCL -----	1	
- 7	A20039	LEVER ASSEMBLY-CONTROL MCL -----	1	
		ATTACHING PARTS -----		
- 8	AN503-8-12	SCREW -----	1	
		---*---		
- 9	A20034	PIN-TORSION SPRING MCL -----	1	
-10	AN503-8-16	SCREW -----	2	
-11	AN340-8	NUT -----	2	
	AN20083	PILOT SPOOL & END FITTING ASSEMBLY MCL -----	1	
-12	B20066	SPOOL-PILOT MCL -----	1	
-13	A20067	END FITTING-SPOOL MCL -----	1	
		ATTACHING PARTS -----		
-14	A20037	ROLL PIN MCL -----	1	
		---*---		
-15	A20071	RACE-BEARING MCL -----	1	
-16	A20086	BEARING-THRUST MCL -----	1	
-17	A20069-2	SPRING-SPEEDER MCL -----	1	
-18	B20040	SPRING-TORSIONAL MCL -----	1	
-19	A20068	SEAT-SPRING -----	1	
-20	MS28775-113	O RING MCL -----	1	
-21	C20075	SHAFT-CONTROL MCL -----	1	
	A20084B	DRIVE DISC & FLYWEIGHT ASSEMBLY MCL -----	1	
-22	A20063A	DISC-DRIVE MCL -----	1	
-23	A20064	FLYWEIGHT MCL -----	2	
		ATTACHING PARTS -----		
-24	A20070A	PIN-FLYWEIGHT MCL -----	2	
-25	A20072A	SPACER-FLYWEIGHT MCL -----	3	
-26	A20036	PIN-COTTER MCL -----	1	
		---*---		
-27	A20022	GASKET-COVER MCL -----	1	
-28	A20076	PLUG-RELIEF VALVE MCL -----	1	
-29	A20078	WASHER MCL -----	1	
-30	A20079	SPRING-PRESSURE RELIEF MCL -----	1	
-31	A20081	SHIM-PRESSURE RELIEF MCL -----	AR	
-32	B20077	PISTON MCL -----	1	
-33	B20082	BODY ASSEMBLY-GOVERNOR MCL -----	1	
-34	A20026	STUD-IDLER GEAR MCL -----	1	
-35	A20027	PIN-DOWEL MCL -----	2	
-36	MS100009	GASKET-MOUNTING -----	1	
A---SERIAL 185-0968 & ON 300 HP ONLY				

Engine (Cont)

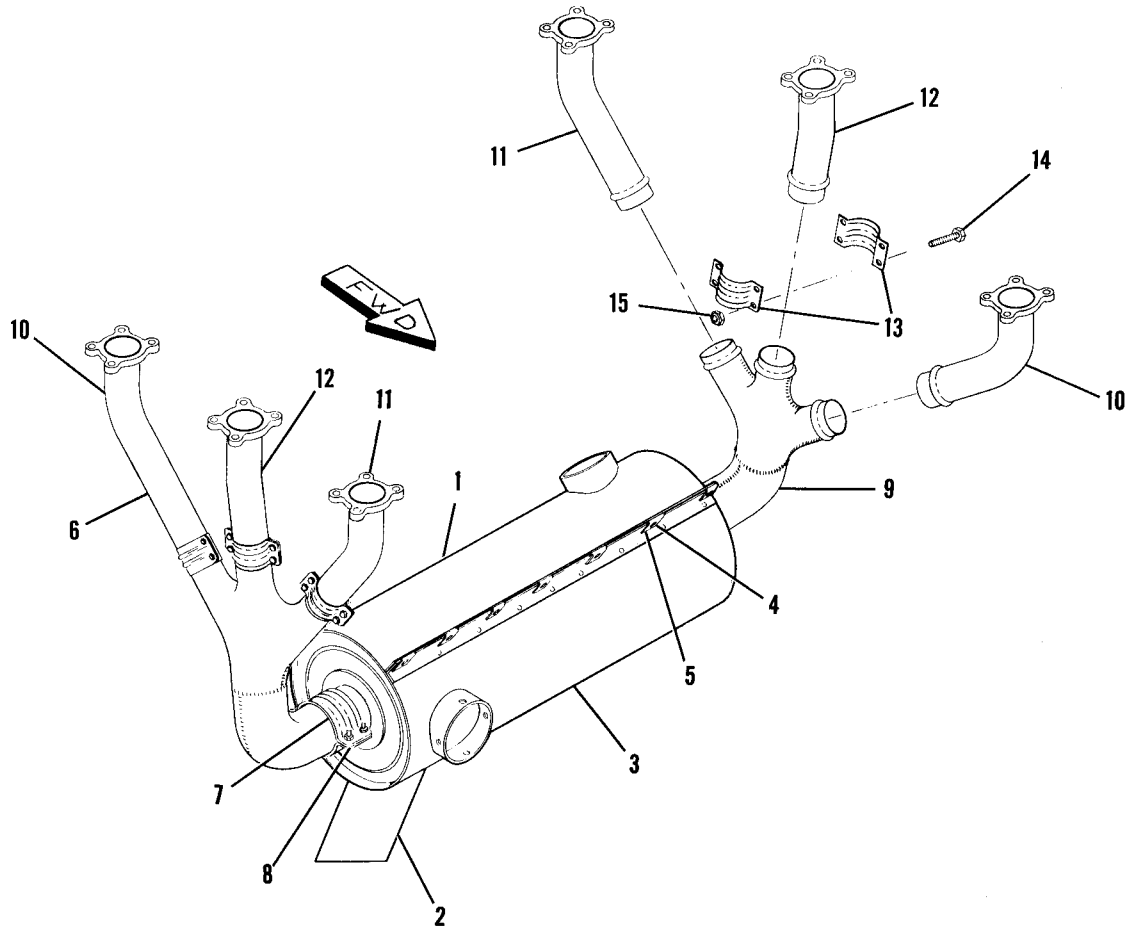


SERIAL 185-0001 & ON
SERIAL 18051313 & ON

Figure 82. Exhaust Stacks Installation

FIGURE AND INDEX NO.	PART NUMBER	DESCRIPTION	UNITS PER ASSY	USABLE ON CODE
82 -		1 2 3 4 5 6 7 EXHAUST SYSTEM INSTALLATION-ENGINE -----	NP	A
- 1	0750161-31 0750161-64	EXHAUST ASSEMBLY-ENGINE ----- STACK ASSEMBLY-EXHAUST -----	NP 2	E
- 2	0750161-24	STACK ASSEMBLY-EXHAUST ----- ATTACHING PARTS -----	2	F
- 3	0750161-22	CLAMP HALF -----	1	
- 4	AN3-4A AN960-10 MS21044N3	CLAMP HALF ----- BOLT ----- WASHER ----- NUT -----	1 4 4 4	
- 5	0750161-28 0750161-61	-----*----- MUFFLER WELD ASSEMBLY-EXHAUST WEU 0750161-61 ----- MUFFLER WELD ASSEMBLY-EXHAUST -----	1 1	C D
- 6	0750161-58 S1021Z8-8 NAS395-14-3	SHROUD ASSEMBLY-EXHAUST MUFFLER ----- ATTACHING PARTS ----- SCREW ----- NUT -----	1 6 6	
- 7	0750161-17 0750161-36	-----*----- PIPE ASSEMBLY-EXHAUST ----- PIPE ASSEMBLY-EXHAUST ----- ATTACHING PARTS -----	2 1	B
- 8	0750161-25	CLAMP HALF -----	2	
- 9	AN3-4A	BOLT -----	4	
-10	AN960-10	WASHER -----	4	
-11	MS21044N3	NUT ----- -----*-----	4	
<p>NOTE. *WHEN ORDERING THIS PART FOR MODEL 185 AIRPLANES PRIOR TO 185-0654 ALSO ORDER ONE 0750161-36 EXHAUST PIPE ASSEMBLY. WHEN ORDERING THIS PART TO BE USED ON THE LH SIDE OF 180 AIRPLANES SERIAL 18051313 THRU 18051551 ALSO ORDER TWO 0750225-2 CLAMPS, TWO 0750225-1 CLAMPS, TWO AN3-5A BOLTS, TWO AN3-4A BOLTS AND FOUR AN960-10L WASHER. SEE FIGURE 77 FOR INSTALLATION OF THESE PARTS.</p> <p>NOTE. **USED ONLY ON MODEL 185 AIRPLANES SERIAL 185-0001 THRU 185-0653 THAT HAVE ORIGINAL STACKS.</p> <p>A---SERIAL 185-0001 & ON SERIAL 18051313 & ON B---SERIAL 185-0001 THRU 185-0653 C---SERIAL 185-0001 THRU 18501922 SERIAL 18051313 THRU 18052214 D---SERIAL 18501923 & ON SERIAL 18052215 & ON E---SERIAL 185-0001 THRU 18502068 SERIAL 18051313 THRU 18052273 F---SERIAL 18502069 & ON SERIAL 18052274 & ON</p>				

Engine (Cont)

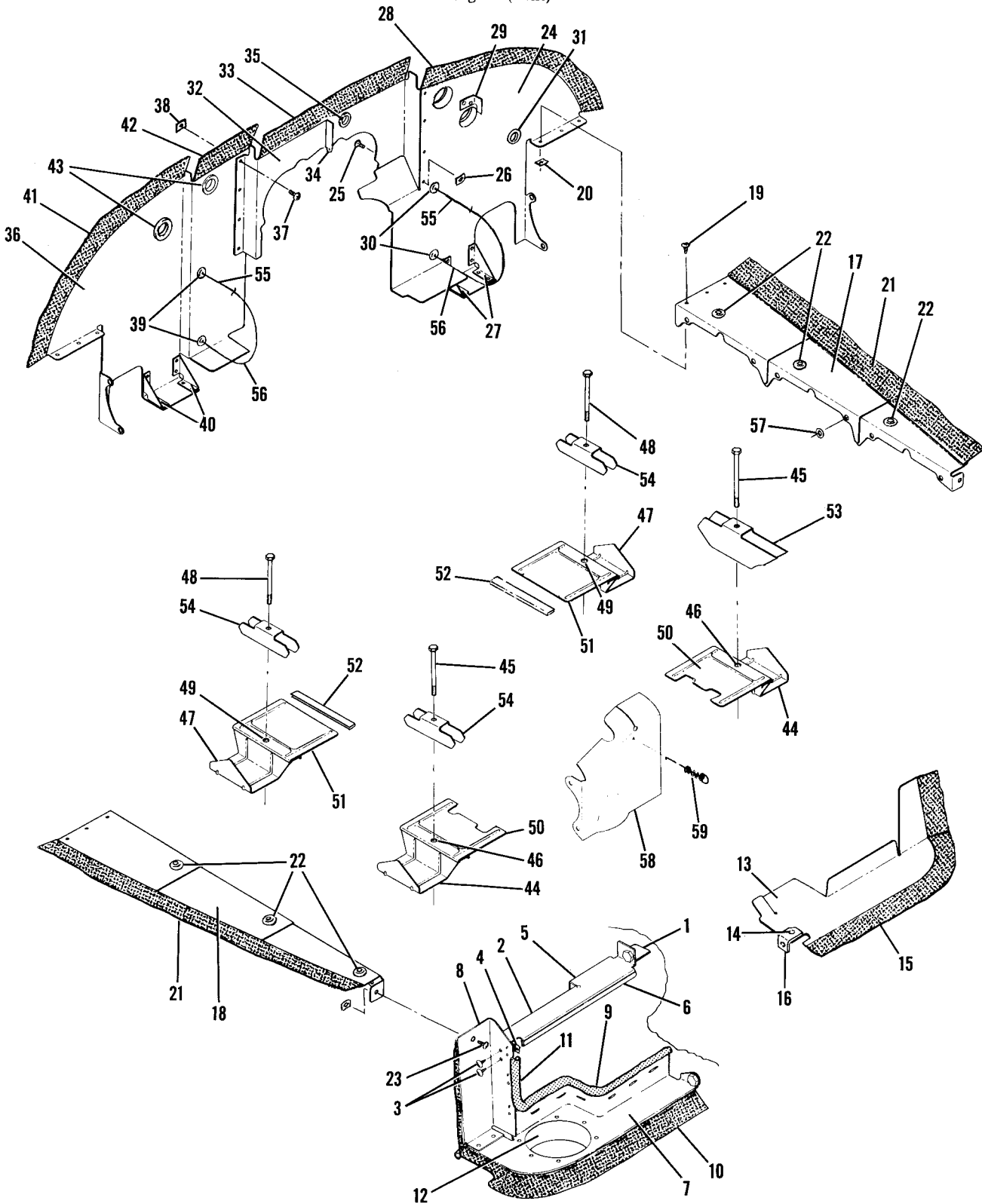


SERIAL 18051184 THRU 18051312

Figure 83. Engine Exhaust Stack

FIGURE AND INDEX NO.	PART NUMBER	DESCRIPTION	UNITS PER ASSY	USABLE ON CODE
		1 2 3 4 5 6 7		
83 -		EXHAUST STACK INSTALLATION -----	NP	A
- 1		STACK ASSEMBLY-EXHAUST ORDER DETAIL PARTS -----	NP	
- 2	0750130-44	MUFFLER ASSEMBLY -----	1	
- 3	0750130-46	SHROUD ASSEMBLY -----	1	
		ATTACHING PARTS -----		
- 4	S102128-8	SCREW -----	2	
- 5	NAS446-4-3	NUTPLATE TIN A1778-8Z-3 -----	7	
		*-----		
- 6	0750130-6	COLLECTOR ASSEMBLY -----	2	
		ATTACHING PARTS -----		
- 7	0750130-42	CLAMP ASSEMBLY -----	2	
- 8	AN3-4A	BOLT -----	4	
	MS21044N3	NUT -----	4	
		*-----		
- 9	0750130-48	COLLECTOR-EXHAUST -----	1	
-10	0750130-3	TUBE ASSEMBLY-REAR -----	1	
-11	0750130-4	TUBE ASSEMBLY-FORWARD -----	1	
-12	0750130-5	TUBE ASSEMBLY-CENTER -----	1	
		ATTACHING PARTS -----		
-13	0750130-31	CLAMP-TUBE -----	2	
-14	AN3-4A	BOLT -----	4	
-15	MS21044N3	NUT -----	4	
		*-----		
		A---SERIAL 18051184 THRU 18051312		

Engine (cont)



SERIAL 185-0001 & ON

Figure 84. Engine Baffles Installation

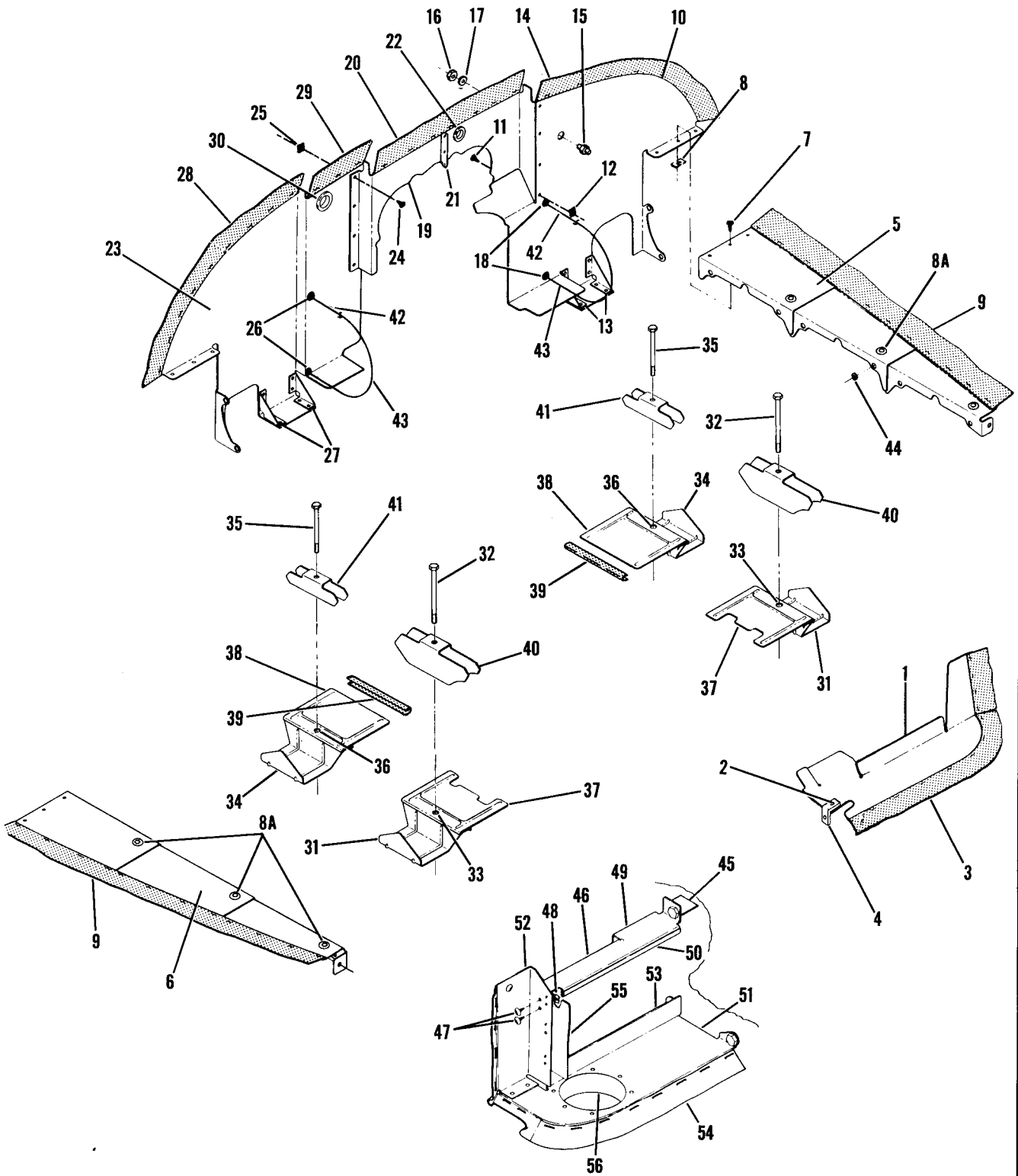
FIGURE AND INDEX NO.	PART NUMBER	DESCRIPTION	UNITS PER ASSY	USABLE ON CODE
		1 2 3 4 5 6 7		
84 -		BAFFLES INSTALLATION-ENGINE -----	NP	A
- 1	0750152-2	BAFFLE-OIL COOLER INBOARD -----	1	
- 2	0700309-2	BAFFLE ASSEMBLY-OIL COOLER -----	1	
	SEE FIG 77A	BAFFLE-NON CONGEALING OIL COOLER -----	1	
		ATTACHING PARTS		
- 3	S1021Z6-6	SCREW -----	2	
- 4	NAS446-2-3	NUT -----	2	
		-----*		
- 5	0700309-5	BAFFLE-OIL COOLER -----	1	
- 6	S202RB	CHANNEL-7.30 IN LG BULK ITEM REF S-202R7.30B -----	1	
- 7	0700318-2	BAFFLE ASSEMBLY-OIL COOLER -----	1	
	SEE FIG 77A	BAFFLE ASSEMBLY-NON CONGEALING OIL COOLER -----	1	
- 8	0700318-4	BAFFLE-VERTICAL -----	1	
- 9	0700318-3	BAFFLE-HORIZONTAL -----	1	
-10	0700318-7	SEAL-HORIZONTAL BAFFLE -----	1	
-11	S202RB	CHANNEL BULK ITEM -----	AR	
-12	0713019-33	UNION -----	1	
-13	0750128-38	BAFFLE ASSEMBLY-FRONT LH -----	1	
		ATTACHING PARTS		
-14	S1021Z6-6	SCREW -----	1	
	NAS446-2-3	NUT -----	1	
		-----*		
-15	0750128-37	SEAL -----	1	
-16	0750128-42	BRACKET ASSEMBLY -----	1	
	NAS680A3	NUTPLATE -----	1	
-17	0750128-58	BAFFLE ASSEMBLY-HORIZONTAL LH -----	1	B
	0750128-93	BAFFLE ASSEMBLY-HORIZONTAL LH -----	1	C
-18	0750128-57	BAFFLE ASSEMBLY-HORIZONTAL RH -----	1	B
	0750128-94	BAFFLE ASSEMBLY-HORIZONTAL RH -----	1	C
		ATTACHING PARTS		
-19	S1021Z6-6	SCREW -----	3	
-20	NAS446-2-3	NUT -----	3	
		-----*		
-21	0750128-13	SEAL -----	1	
-22	MS35489-12	GROMMET -----	3	
-23	S1021Z6-6	SCREW -----	1	
-24	0750128-55	BAFFLE ASSEMBLY-VERTICAL LH -----	1	F
	0750128-97	BAFFLE ASSEMBLY-VERTICAL LH -----	1	G
		-----*		
-25	S1021Z6-6	SCREW -----	4	
-26	NAS446-2-3	NUT -----	4	
		-----*		
-27	0750128-1	GUSSET-BAFFLE -----	2	
-28	0750128-17	SEAL-BAFFLE -----	1	
-29	1250106-1	CLIP-FUEL HOSE ATTACH -----	1	
-30	MS20230820	GROMMET -----	2	
-31	MS35489-110	GROMMET -----	1	
-32	0750128-21	BAFFLE ASSEMBLY-REAR -----	1	
-33	0750128-16	SEAL-BAFFLE -----	1	
-34	0750117-21	BRACKET-BAFFLE -----	1	
-35	MS35489-118	GROMMET -----	1	
-36	0750128-66	BAFFLE ASSEMBLY-VERTICAL RH -----	1	
		ATTACHING PARTS		
-37	S1021Z6-6	SCREW -----	4	
-38	NAS446-2-3	NUT -----	4	
-39	MS20230820	GROMMET -----	2	
		-----*		
-40	0750128-11	GUSSET-BAFFLE -----	2	
-41	0750128-14	SEAL-BAFFLE -----	1	
-42	0750128-15	SEAL-BAFFLE -----	1	
-43	MS35489-11	GROMMET -----	2	D
	MS35489-5	GROMMET -----	2	E
-44	0750135-1	BAFFLE ASSEMBLY-INTERCYLINDER -----	2	
		ATTACHING PARTS		
-45	AN3-67A	BOLT -----	1	
		-----*		

CONTINUED ON NEXT PAGE

FIGURE AND INDEX NO.	PART NUMBER	DESCRIPTION	UNITS PER ASSY	USABLE ON
				CODE
84 -46	NAS680A3	NUTPLATE -----	1	
-47	0750135-1	BAFFLE ASSEMBLY-INTERCYLINDER ----- ATTACHING PARTS -----	2	
-48	AN3-60A	BOLT ----- -----*	1	
-49	NAS680A3	NUTPLATE -----	1	
-50	0750135-3	BAFFLE-INTERCYLINDER -----	3	
-51	0750135-8	BAFFLE ASSEMBLY -----	2	B
	0750135-4	BAFFLE ASSEMBLY -----	2	C
-52	0750135-11	SEAL -----	1	
-53	0851700-96	SUPPORT-BAFFLE FRONT LH -----	1	
-54	0750117-31	SUPPORT-BAFFLE -----	3	
-55	0450277-3	FASTENER-REAR BAFFLE TO CYLINDER UPPER -----	2	
-56	0450277-2	FASTENER-REAR BAFFLE TO CYLINDER LOWER -----	2	
-57	AN960D416	WASHER -----	32	
-58	1250134-1	BAFFLE-NO. 5 CYLINDER -----	1	
-59	0450277-10	FASTENER -----	1	
		A---SERIAL 185-0001 & ON		
		B---SERIAL 185-0001 THRU 185-0512		
		C---SERIAL 185-0513 & ON		
		D---SERIAL 185-0001 THRU 185-0653		
		E---SERIAL 185-0654 & ON		
		F---SERIAL 185-0001 THRU 185-0776		
		G---SERIAL 185-0777 & ON		

This page intentionally left blank.

Engine (Cont)



SERIAL 18051184 & ON
Figure 85. Engine Baffles Installation

FIGURE AND INDEX NO.	PART NUMBER	DESCRIPTION	UNITS PER ASSY	USABLE ON CODE
		1 2 3 4 5 6 7		
85 -		BAFFLES INSTALLATION-ENGINE -----	NP	A
- 1	0750128-38	BAFFLE ASSEMBLY-FRONT LH -----	1	
		ATTACHING PARTS -----		
- 2	S1021Z6-6	SCREW -----	1	
	NAS446-2-3	NUT -----	1	
		---*---		
- 3	0750128-37	SEAL-BAFFLE -----	1	
- 4	0750128-42	BRACKET ASSEMBLY -----	1	
	NAS680A3	NUTPLATE -----	1	
- 5	0750128-93	BAFFLE ASSEMBLY-HORIZONTAL LH -----	1	
- 6	0750128-94	BAFFLE ASSEMBLY-HORIZONTAL RH -----	1	
		ATTACHING PARTS -----		
- 7	S1021Z6-6	SCREW -----	3	
- 8	NAS446-2-3	NUT -----	3	
		---*---		
- 8A	MS35489-12	GROMMET -----	3	
- 9	0750128-13	SEAL-BAFFLE -----	2	
-10	0750128-44	BAFFLE ASSEMBLY-VERTICAL LH -----	1	B
	0750128-100	BAFFLE ASSEMBLY-VERTICAL LH -----	1	C
		ATTACHING PARTS -----		
-11	S1021Z6-6	SCREW -----	4	
-12	NAS446-2-3	NUT -----	4	
		---*---		
-13	0750128-11	GUSSET-BAFFLE -----	2	
-14	0750128-17	SEAL-BAFFLE -----	1	
-15	AN832-2D	UNION-BAFFLE -----	1	B
		ATTACHING PARTS -----		
-16	AN924-2D	NUT -----	1	B
-17	AN960D516	WASHER -----	1	B
-18	MS20230B20	GROMMET -----	2	B
		---*---		
-19	0750128-21	BAFFLE ASSEMBLY-REAR -----	1	
-20	0750128-16	SEAL-BAFFLE -----	1	
-21	0750117-21	BRACKET-BAFFLE -----	1	
-22	MS35489-118	GROMMET -----	1	
-23	0750128-53	BAFFLE ASSEMBLY-VERTICAL RH -----	1	
		ATTACHING PARTS -----		
-24	S1021Z6-6	SCREW -----	4	
-25	NAS446-2-3	NUT -----	4	
-26	MS20230B20	GROMMET -----	2	
		---*---		
-27	0750128-11	GUSSET-BAFFLE -----	2	
-28	0750128-14	SEAL-BAFFLE -----	1	
-29	0750128-15	SEAL-BAFFLE -----	1	
-30	MS35489-20	GROMMET -----	1	
-31	0750135-1	BAFFLE ASSEMBLY-INNER CYLINDER FORWARD -----	2	
		ATTACHING PARTS -----		
-32	AN3-67A	BOLT -----	1	
		---*---		
-33	NAS680A3	NUTPLATE -----	1	
-34	0750135-1	BAFFLE ASSEMBLY-INNER CYLINDER REAR -----	2	
		ATTACHING PARTS -----		
-35	AN3-60A	BOLT -----	1	
		---*---		
-36	NAS680A3	NUTPLATE -----	1	
-37	0750135-3	BAFFLE-INNER CYLINDER -----	3	
-38	0750135-4	BAFFLE ASSEMBLY -----	2	
-39	0750135-11	SEAL-BAFFLE -----	1	
-40	0851700-96	SUPPORT-BAFFLE FRONT -----	2	
-41	0750117-31	SUPPORT-BAFFLE REAR -----	2	
-42	0450277-3	FASTENER-REAR BAFFLE TO CYLINDER UPPER -----	2	
-43	0450277-2	FASTENER-REAR BAFFLE TO CYLINDER LOWER -----	2	
-44	AN960D416	WASHER -----	32	
-45	0750152-1	BAFFLE-OIL COOLER INBOARD -----	1	
-46	0750148-2	BAFFLE ASSEMBLY-OIL COOLER -----	1	
	SEE FIG 77A	BAFFLE ASSEMBLY-NON CONGEALING OIL COOLER -----	1	
		ATTACHING PARTS -----		
-47	S1021Z6-6	SCREW -----	2	
-48	NAS446-2-3	NUT -----	2	
		---*---		

CONTINUED ON NEXT PAGE

FIGURE AND INDEX NO.	PART NUMBER	DESCRIPTION	UNITS PER ASSY	USABLE ON CODE
		1 2 3 4 5 6 7		
85 -49	0750148-1	BAFFLE-OIL COOLER -----	1	
-50	S202RB	CHANNEL-BAFFLE -----	AR	
-51	0750149-1	BAFFLE ASSEMBLY-OIL COOLER -----	1	
	SEE FIG 77A	BAFFLE ASSEMBLY-NON CONGEALING OIL COOLER -----	1	
-52	0750149-2	BAFFLE-VERTICAL -----	1	
-53	0750149-3	BAFFLE-HORIZONTAL -----	1	
-54	0750149-4	SEAL-HORIZONTAL BAFFLE -----	1	
-55	0750149-5	SEAL-VERTICAL BAFFLE -----	1	
-56	0713019-33	UNION-BAFFLE -----	1	
		A---SERIAL 18051184 & ON		
		B---SERIAL 18051184 THRU 18051445		
		C---SERIAL 18051446 & ON		

Engine (Cont)

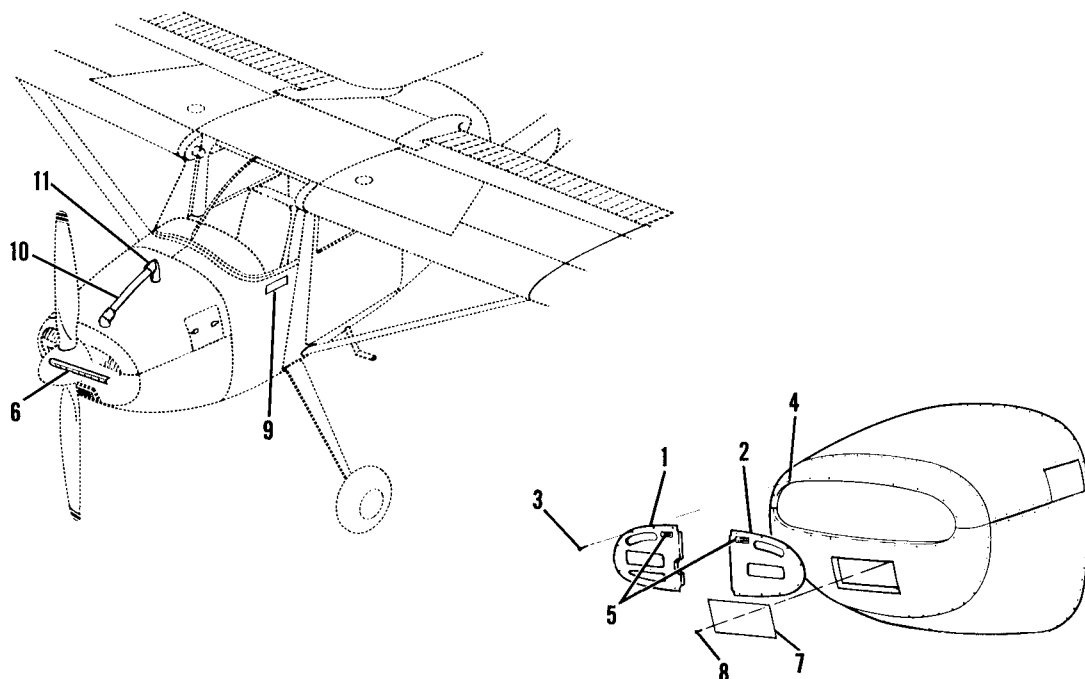


Figure 86. Winterization Equipment Installation

FIGURE AND INDEX NO.	PART NUMBER	DESCRIPTION	UNITS PER ASSY	USABLE ON CODE
86 -		1 2 3 4 5 6 7		
- 1	0700319-6	COVER-COWL OPENING RH -----	1	D
	0700329-200	COVER ASSEMBLY-COWL OPENING-RH -----	1	C
- 2	0700319-5	COVER-COWL OPENING LH -----	1	D
	0700329-5	COVER-COWL OPENING LH -----	1	C
- 3	AN525-823R8	SCREW -----	8	
- 4	NAS1329A08K75	RIVNUT GD -----	8	
- 5	0700319-12	PLACARD-REMOVAL INSTRUCTIONS -----	2	E
	1205043-1	PLACARD-REMOVAL INSTRUCTIONS -----	2	F
- 6	0700313-25	COVER-BALANCE TUBE -----	1	B
- 7	0700313-64	COVER ASSEMBLY - CARBURETOR AIR BOX -----	1	B
	0700313-74	COVER ASSEMBLY-INDUCTION AIR BOX -----	1	C
- 8	S1021Z8-6	SCREW -----	4	B
	A1049-8Z3	NUT TIN -----	4	B
	NAS395-12-3	NUT -----	4	C
- 9	0700319-13	PLACARD-WINTERIZATION -----	1	E
	0505009-2	PLACARD-WINTERIZATION -----	1	F
-10	1200191-200	TUBE ASSEMBLY-INSULATING FWD OF BAFFLE -----	1	
-11	1200191-201	TUBE ASSEMBLY-INSULATING AFT OF BAFFLE -----	1	
		A---SERIAL 185-0001 THRU 185-1149 260 HP		
		B---SERIAL 18051184 & ON		
		C---SERIAL 185-0968 & ON 300 HP		
		D---SERIAL 185-0001 THRU 185-1149 260 HP		
		SERIAL 18051184 & ON		
		E---SERIAL 185-0001 THRU 185-1447		
		SERIAL 18051184 THRU 18051993		
		F---SERIAL 185-1448 & ON		
		SERIAL 18051994 & ON		

Cowl Flaps Control System

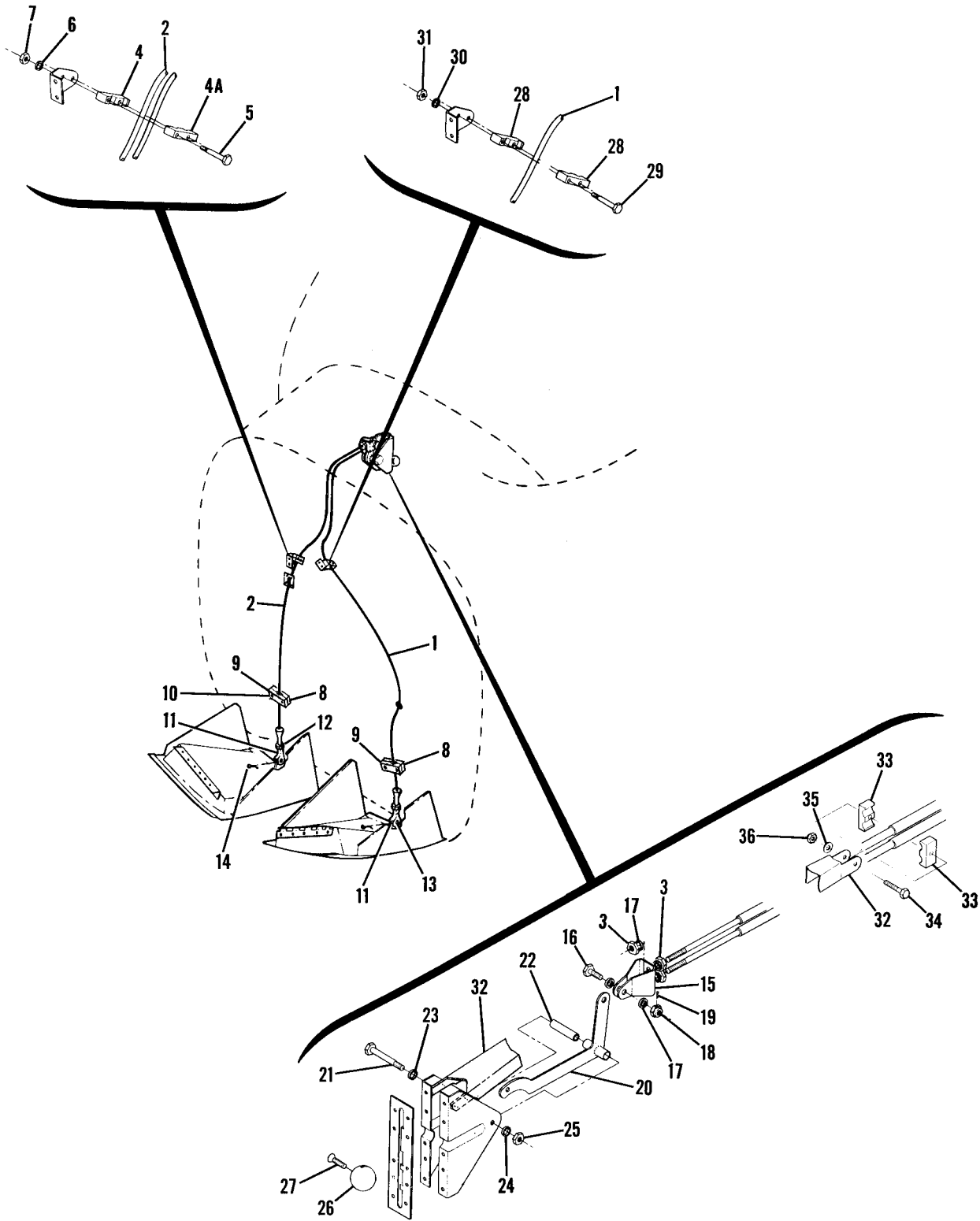
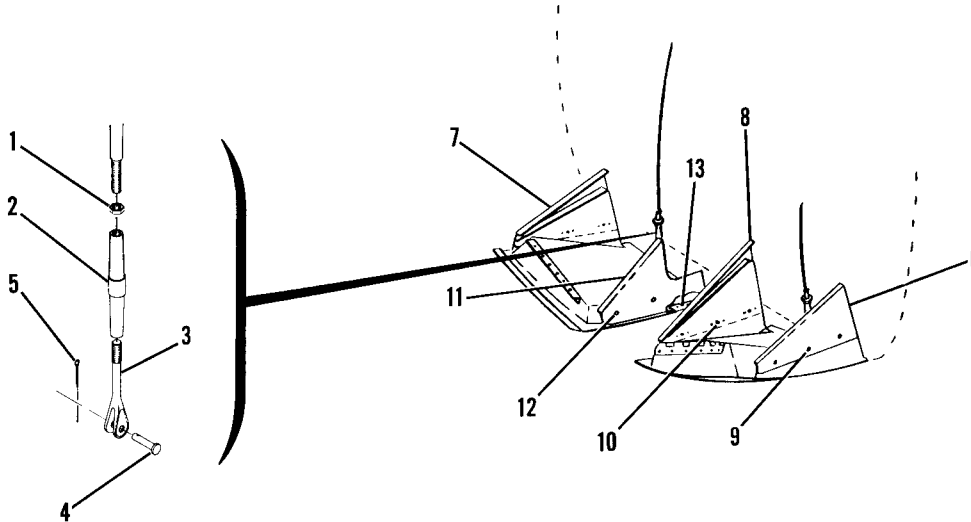


Figure 87. Cowl Flaps Control System Installation

FIGURE AND INDEX NO.	PART NUMBER	DESCRIPTION	UNITS PER ASSY	USABLE ON CODE
		1 2 3 4 5 6 7		
87 -		COWL FLAPS CONTROL SYSTEM INSTALLATION -----	NP	
- 1	S1245-3	CONTROL ASSEMBLY-COWL FLAPS LH -----	1	A
	S1245-1	CONTROL ASSEMBLY-COWL FLAPS LH -----	1	B
	S1572-1	CONTROL ASSEMBLY-COWL FLAPS LH -----	1	C
- 2	S1245-2	CONTROL ASSEMBLY-COWL FLAPS RH -----	1	
		ATTACHING PARTS		
- 3	AN316-4	NUT -----	4	
	AN9368416	WASHER -----	4	
		*-----		
- 4	0713148-1	CLAMP -----	1	D
	0713307-1	MOUNT -----	1	C
- 4A	0713148-1	CLAMP -----	1	D
	0713307-2	CLAMP -----	1	C
		ATTACHING PARTS		
- 5	AN3-13A	BOLT -----	2	D
	AN3-15A	BOLT -----	2	C
- 6	AN960-10L	WASHER -----	2	
- 7	MS21044N3	NUT -----	2	
		*-----		
- 8	0713307-1	MOUNT-COWL FLAP CONTROL -----	2	
- 9	0713307-2	CLAMP-COWL FLAP CONTROL -----	2	
		ATTACHING PARTS		
-10	AN3-15A	BOLT -----	2	
	AN960-10L	WASHER -----	2	
	MS21044N3	NUT -----	2	
		*-----		
-11	AN486-4	* CLEVIS -----	2	
		ATTACHING PARTS		
-12	AN316-4	* NUT -----	1	
-13	MS20392-2C13	* PIN -----	1	
-14	MS24665-132	* PIN-COTTER -----	1	
	AN960D10	* WASHER -----	1	
		*-----		
-15	0713701-2	CLEVIS -----	1	
		ATTACHING PARTS		
-16	AN4-5	BOLT -----	1	
-17	AN960-416L	WASHER -----	2	
-18	AN310-4	NUT -----	1	
-19	MS24665-134	PIN-COTTER -----	1	
		*-----		
-20	0713128-1	LEVER ASSEMBLY-COWL FLAP CONTROL -----	1	
		ATTACHING PARTS		
-21	AN3-16A	BOLT -----	1	
-22	NAS43HT3-88	SPACER -----	1	
-23	AN960-516	WASHER -----	1	
-24	AN960-10	WASHER -----	1	
-25	MS21044N3	NUT -----	1	
		*-----		
-26	S1249-1	KNOB-LEVER ASSEMBLY -----	1	
		ATTACHING PARTS		
-27	AN507-1032R12	SCREW -----	1	
		*-----		
-28	1250401-3	CLAMP -----	2	C
		ATTACHING PARTS		
-29	AN3-11A	BOLT -----	2	C
-30	AN960-10L	WASHER -----	2	C
-31	MS21044N3	NUT -----	2	C
		*-----		
-32	0713826-1	BRACKET -----	1	C
-33	1213037-2	CLAMP -----	2	C
		ATTACHING PARTS		
-34	AN3-11A	BOLT -----	1	C
-35	AN960-10L	WASHER -----	1	C
-36	MS21044N3	NUT -----	1	C
		*-----		
NOTE. *THESE PARTS ARE NOT USED ON AG CARRYALL SERIAL 18502037 & ON, SEE FIG 87A.				
A---SERIAL 185-0001 THRU 185-0776 SERIAL 18051313 THRU 18051445				
B---SERIAL 18051184 THRU 18051312				
C---SERIAL 185-0777 & ON SERIAL 18051446 & ON				
D---SERIAL 185-0001 THRU 185-0776 SERIAL 18051184 THRU 18051445				

Cowl Flaps Control System (Cont)



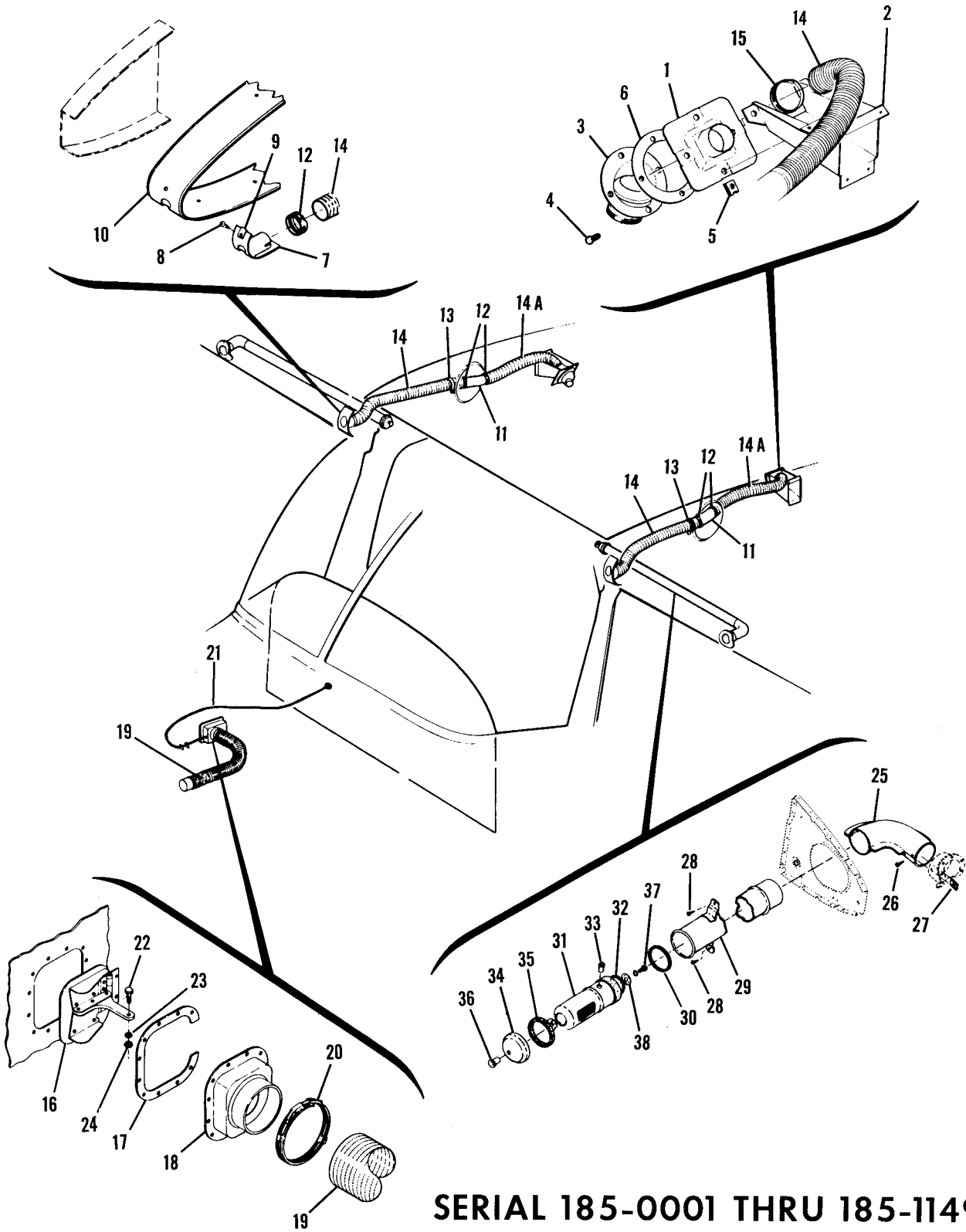
AG CARRYALL
SERIAL 18502037 & ON

Figure 87A. Cowl Flaps Extension Installation - AGcarryall

FIGURE AND INDEX NO.	PART NUMBER	DESCRIPTION	UNITS PER ASSY	USABLE ON CODE
		1 2 3 4 5 6 7		
87A-		COWL FLAPS EXTENSION INSTALLATION-AG CARRYALL -----	NP	A
- 1	AN316-4	NUT -----	2	
- 2	AN155832S	BARREL -----	2	
- 3	AN161-22LL	FORK -----	2	
		ATTACHING PARTS		
- 4	MS20392-2C13	PIN -----	1	
- 5	MS24665-132	PIN-COTTER -----	1	
		-----*		
- 6	0752036-2	BAFFLE-OUTBOARD LH FLAP -----	1	
- 7	0752036-3	BAFFLE-OUTBOARD RH FLAP -----	1	
- 8	0752036-4	BAFFLE-INBOARD LH FLAP -----	1	
		ATTACHING PARTS		
- 9	AN520-10R8	SCREW -----	3	
-10	MS20365-1032C	NUT -----	3	
-11	0752036-6	BAFFLE ASSEMBLY-INBOARD RH FLAP -----	1	
		ATTACHING PARTS		
-12	AN520-10R12	SCREW -----	3	
	MS20365-1032C	NUT -----	2	
		-----*		
-13	NAS697A3	NUTPLATE -----	1	
		A---SERIAL 18502037 & ON		

This page intentionally left blank.

Ventilation System



SERIAL 185-0001 THRU 185-1149
SERIAL 18051184 THRU 18051774

Figure 88. Cabin Ventilation System Installation

FIGURE AND INDEX NO.	PART NUMBER	DESCRIPTION	UNITS PER ASSY	USABLE ON CODE
		1 2 3 4 5 6 7		
88 -		CABIN VENTILATION SYSTEM -----	NP	E
- 1	0700327-1	ADAPTER-REAR AIR VENT -----	2	
- 2	0700326-1	BRACKET ASSEMBLY-REAR AIR VENT -----	2	
- 3	0813610-3	VALVE-AIR VENT REAR -----	2	B
	0813610-6	VALVE-AIR VENT REAR WHEN EXHAUSTED USE S1646-1 -----	2	C
	S1646-1	VALVE-AIR VENT REAR -----	2	D
		ATTACHING PARTS -----		
- 4	S1021Z6-8C	SCREW -----	4	
- 5	A1793-6Z3	NUT -----	4	
- 6	1213043-1	GASKET -----	1	
		-----*		
- 7	0700325-2	ADAPTER-REAR AIR VENT -----	2	
- 8	S1022Z8-8	SCREW -----	2	
- 9	NAS396-6-3	NUT -----	2	
-10	0700322-4	SEAL-AIR VENT -----	2	
-11	0700626-1	TUBE-REAR AIR VENT -----	2	
		ATTACHING PARTS -----		
-12	NAS397-18	CLAMP -----	1	
-13	AN742D16	CLAMP TIN -----	1	
	NAS446-4-3	NUT -----	1	
	S1021Z8-8	SCREW -----	1	
		-----*		
-14	S1053E8T	HOSE-18.5 IN LG BULK ITEM REF S1053E8T18.5 -----	2	
-14A	S1053E8T	HOSE-21.5 IN LG BULK ITEM REF S1053E8T21.50 -----	2	
		ATTACHING PARTS -----		
-15	NAS397-18	CLAMP -----	2	
		-----*		
-16	0713135-2	DOOR ASSEMBLY-SIDE AIR VENT -----	1	
-17	0713140-1	SEAL -----	1	
-18	0713139-1	INLET ASSEMBLY-SIDE AIR VENT -----	1	
-19	S1053E24T	HOSE-14.0 IN LG BULK ITEM REF S-1053E24T14.0 -----	1	
		ATTACHING PARTS -----		
-20	NAS398-50	CLAMP TIN -----	2	
		-----*		
-21	S1239-25	CONTROL-SIDE AIR VENT REF 0713302-10 & S1239-6 -----	1	
		ATTACHING PARTS -----		
-22	0450311-5	CLAMP -----	1	
-23	AN960-10L	WASHER -----	1	
-24	MS21044N3	NUT -----	1	
		-----*		
-25	0450314	ELBOW ASSEMBLY-CABIN VENTILATION FORWARD -----	2	
		ATTACHING PARTS -----		
-26	S1021Z8-8	SCREW -----	1	
-27	NAS446-4-3	NUT -----	1	
		-----*		
	0413163-25	OUTLET ASSEMBLY-RH LESS KNOB -----	1	
**	0413163-26	OUTLET ASSEMBLY-LH LESS KNOB -----	1	
		ATTACHING PARTS -----		
-28	S1021Z8-6	SCREW -----	2	
		-----*		
-29	0413163-17	TUBE ASSEMBLY-LH -----	1	
	0413163-16	TUBE ASSEMBLY-RH -----	1	
-30	0413163-7	SEAL-FELT -----	1	
-31	0413163-18	OUTLET-CABIN VENTILATION -----	1	
**	0413163-5	SEAL -----	1	
-32	S2024-1	CATCH-BULLET -----	1	
-33	0413163-11	CAP ASSEMBLY-OUTLET -----	1	
-34	S1441-2-5.56	SEAL-CAP -----	1	
-35	0713303-2	KNOB-CAP -----	1	
		ATTACHING PARTS -----		
-37	AN515-8R8	SCREW -----	1	
-38	0413228	WASHER -----	1	
	0413347-1	WASHER -----	1	
	NAS43DD3-5	SPACER -----	1	A
		-----*		
NOTE. **WHEN ORDERING THIS PART FOR AIRCRAFT PRIOR TO SERIAL 185-0311 ALSO ORDER PARTS MARKED *.				
A---SERIAL 185-0001 THRU 185-1149				
B---SERIAL 185-0001 THRU 185-0512				
C---SERIAL 185-0513 THRU 185-0963				
SERIAL 18051184 THRU 18051618				
D---SERIAL 185-0964 THRU 185-1149				
SERIAL 18051619 THRU 18051774				
E---SERIAL 185-0001 THRU 185-1149				
SERIAL 18051184 THRU 18051774				

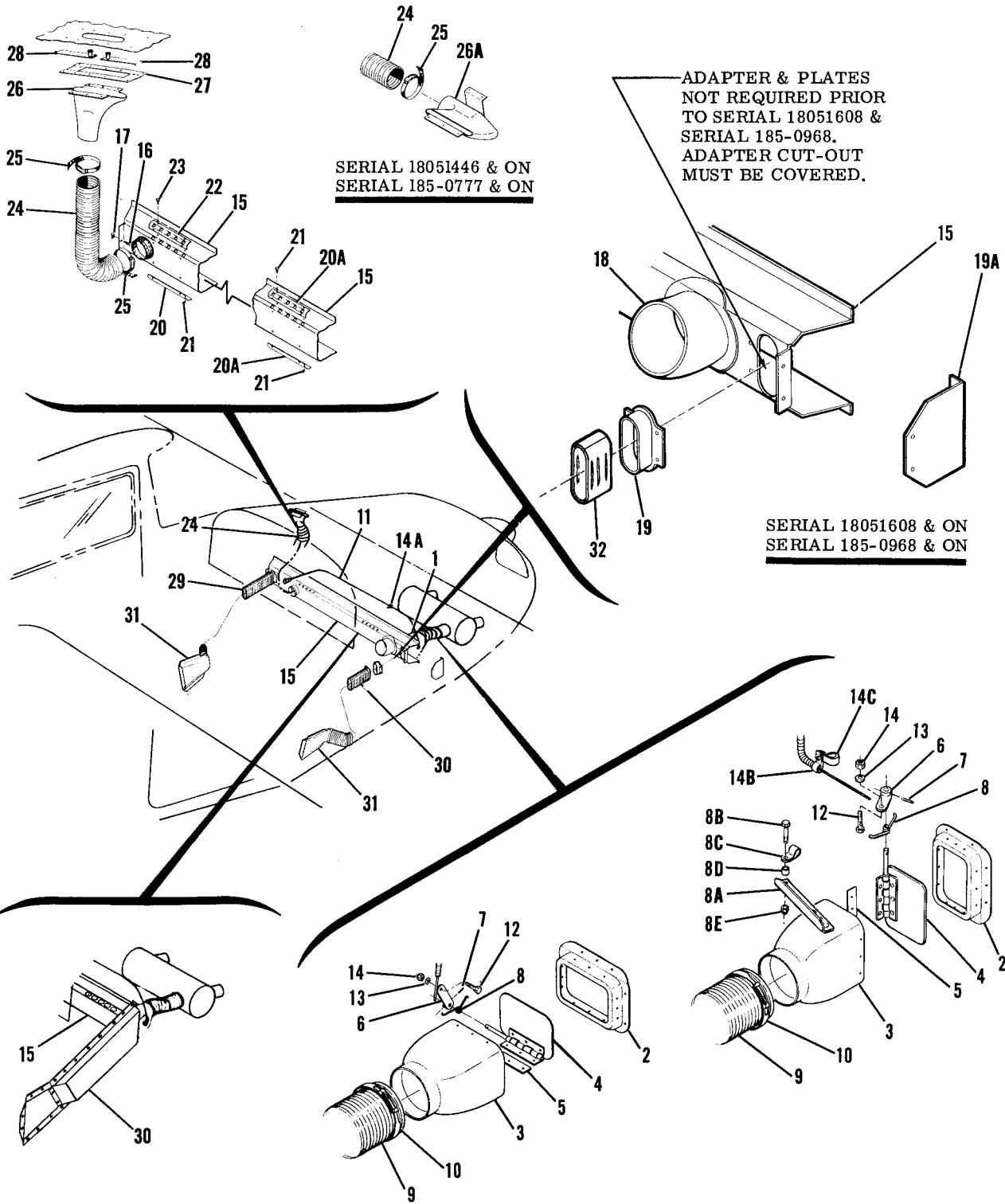
FIGURE AND INDEX NO.	PART NUMBER	DESCRIPTION	UNITS PER ASSY	USABLE ON CODE
		1 2 3 4 5 6 7		
88A-		CABIN VENTILATION SYSTEM INSTALLATION -----	NP	A
- 1	0713135-2	DOOR ASSEMBLY-SIDE AIR VENT -----	1	
- 2	0713140-1	SEAL-SIDE AIR VENT -----	1	
- 3	0713139-1	INLET ASSEMBLY-SIDE AIR VENT -----	1	
- 4	S1053E24T	HOSE-14.0 IN LG BULK ITEM REF S-1053E24T14.0 -----	1	
		ATTACHING PARTS		
- 5	NAS398-50	CLAMP TIN -----	2	
		-----*		
- 6	S1239-25	CONTROL-SIDE AIR VENT -----	1	B
	S1239-37	CONTROL-SIDE AIR VENT -----	1	H
	S1239-46	CONTROL-SIDE AIR VENT -----	1	J
		ATTACHING PARTS		
- 7	0450311-5	CLAMP -----	1	
- 8	AN960-10L	WASHER -----	1	
- 9	MS21044N3	NUT -----	1	
		-----*		
	0413163-26	OUTLET ASSEMBLY-LH LESS KNOB -----	1	D
	0413163-205	OUTLET ASSEMBLY-LH LESS CAP & KNOB -----	1	E
	0413163-25	OUTLET ASSEMBLY-RH LESS KNOB -----	1	D
	0413163-206	OUTLET ASSEMBLY-RH LESS CAP & KNOB -----	1	E
		ATTACHING PARTS		
-10	S1021Z8-6	SCREW -----	2	
		-----*		
-11	0413163-17	TUBE ASSEMBLY-LH -----	1	
	0413163-16	TUBE ASSEMBLY-RH -----	1	
-12	0413163-7	SEAL FELT -----	1	
-13	0413163-18	OUTLET ASSEMBLY-CABIN VENTILATION -----	1	
-14	0413163-5	SEAL FELT -----	1	
-15	0413203	CATCH-OUTLET WEU S2024-1 -----	2	
	S2024-1	CATCH-OUTLET -----	2	
-16	0413163-11	CAP ASSEMBLY-OUTLET -----	1	D
-17	S1441-2-5.56	SEAL-CAP -----	1	D
-18	0713303-2	KNOB-OUTLET ASSEMBLY CAP -----	2	D
		ATTACHING PARTS		
-19	AN515-8R8	SCREW -----	1	D
-20	0413228	WASHER -----	1	D
	0413347-1	WASHER -----	1	D
	NAS43DD3-5	SPACER -----	1	D
		-----*		
-20A	S1780-8	INSERT -----	2	E
-20B	S1834-1	KNOB -----	2	E
		ATTACHING PARTS		
-20C	AN507-1032R12	SCREW -----	1	E
-20D	S290D1032	WASHER -----	1	E
-20E	S1450-5A24-040	WASHER -----	1	E
-20F	0413228	WASHER -----	1	E
-20G	MS21044N3	NUT -----	1	E
		-----*		
-21	0450314	ELBOW ASSEMBLY-FORWARD CABIN VENTILATION -----	2	
		ATTACHING PARTS		
-22	S1021Z8-8	SCREW -----	1	
-23	NAS446-4-3	NUT -----	1	
		-----*		
-23A	1200018-1	ELEMENT-AIR FILTER -----	2	M
	1200018-2	ELEMENT-AIR FILTER ALTFRNATE -----	2	M
-24	0700325-2	ADAPTOR ASSEMBLY-REAR AIR VENT -----	2	K
		ATTACHING PARTS		
-25	S1022Z8-8	SCREW -----	2	K
-26	NAS396-6-3	NUT -----	2	K
		-----*		
-27	0700322-4	SEAL-AIR VENT -----	2	K
-28	S1053E8T	DUCT-18.50 IN LG BULK ITEM REF S1053E8T-18.5 -----	2	F
	0700322-9	TUBE-AIR VENT -----	2	G
-29	NAS397-18	CLAMP TIN -----	4	K
-30	0700626-1	TUBE-REAR AIR VENT -----	2	F
-31	AN742D16	CLAMP TIN -----	2	K
		ATTACHING PARTS		
	S1021Z8-10	SCREW -----	2	K
	NAS395-19-3	NUT -----	2	K
		-----*		
-32	S1053E8T	DUCT-16.00 IN LG BULK ITEM REF S1053E8T-16.00 -----	2	F
-33	NAS397-18	CLAMP -----	4	F

CONTINUED ON NEXT PAGE

FIGURE AND INDEX NO.	PART NUMBER	DESCRIPTION	UNITS PER ASSY	USABLE ON CODE
88A-34	0710013-5	SILENCER ASSEMBLY-REAR AIR VENT ----- ATTACHING PARTS -----	2	
-35	AN515-8R10 AN960-8 NAS679A08	SCREW ----- WASHER ----- NUT ----- ---*---	1 2 1	
-36	S1728-1	KNOB -----	1	
-37	0710015-13	SPRING -----	1	
-38	0713250-1	KNOB -----	1	
-39	0710014-8	ESCUTCHEON -----	1	
-39A	0710022-1	GASKET ----- ATTACHING PARTS -----	1	
-40	S1023A6-6C	SCREW ----- ---*---	4	
-41	0710015-6	INSULATOR -----	1	
-42	0710014-3	BRACKET ASSEMBLY-LH -----	1	
-43	0710014-4	BRACKET ASSEMBLY-RH -----	1	
-44	0700322-8	BRACKET -----	2	
-45	S1053E8T	DUCT-16.0 IN LG BKI REF S1053E8T16.00 -----	2	L
-46	S1053E10T	DUCT-31.0 IN LG BKI REF S1053E10T31.00 -----	2	L
-47	S1485D17U	CLAMP ----- ATTACHING PARTS -----	2	L
-48	S1021Z8-10	SCREW ----- ---*---	1	L
-49	1200691-1	DRAIN FITTING-REAR SEAT VENT -----	2	L
-50	S1693-2	STA STRAP -----	8	L
-51	1200637-5	ADAPTOR ASSEMBLY-REAR SEAT VENT -----	2	L
<p>A---SERIAL 185-1150 & ON SERIAL 18051775 & ON</p> <p>B---SERIAL 185-1150 THRU 185-1300 SERIAL 18051775 THRU 18051875</p> <p>C---SERIAL 185-1301 & ON SERIAL 18051876 & ON</p> <p>D---SERIAL 185-1150 THRU 185-1447 SERIAL 18051775 THRU 18051993</p> <p>E---SERIAL 185-1448 & ON SERIAL 18051994 & ON</p> <p>F---SERIAL 185-1150 THRU 185-1455 SERIAL 18051775 THRU 18051999</p> <p>G---SERIAL 185-1456 THRU 18502090 SERIAL 18052000 THRU 18052284</p> <p>H---SERIAL 185-1301 THRU 185-1599 SERIAL 18051876 THRU 18052103</p> <p>J---SERIAL 18501600 & ON SERIAL 18052104 & ON</p> <p>K---SERIAL 185-1150 THRU 18502090 SERIAL 18051775 THRU 18052284</p> <p>L---SERIAL 18502091 & ON SERIAL 18052285 & ON</p> <p>M---SERIAL 18501985 & ON SERIAL 18052242 & ON</p>				

This page intentionally left blank.

Heating System



SERIAL 18051184 THRU 18051607
SERIAL 185-0001 THRU 185-0967

Figure 89. Manifold Cabin Heater Installation

FIGURE AND INDEX NO.	PART NUMBER	DESCRIPTION	UNITS PER ASSY	USABLE ON CODE
		1 2 3 4 5 6 7		
89 -		CABIN HEATER INSTALLATION-MANIFOLD -----	NP	
- 1	0753011-1	VALVE ASSEMBLY-WARM AIR -----	1	Q
	0753011-3	VALVE ASSEMBLY-WARM AIR -----	1	S
- 2	0753010-1	SEAT-WARM AIR VALVE -----	1	
- 3	1253032-1	BODY ASSEMBLY-VALVE -----	1	Q
	1253032-4	BODY ASSEMBLY-VALVE -----	1	S
- 4	1253034-1	PLATE ASSEMBLY-VALVE -----	1	
- 5	1253040-1	SHIM -----	1	
	1253033-2	REINFORCEMENT -----	1	
- 6	1253037-1	ARM-CONTROL -----	1	
		ATTACHING PARTS		
- 7	NAS561C2-8	ROLL PIN -----	1	
- 8	1253041-1	SPRING-WARM AIR VALVE -----	1	
		-----*		
- 8A	0713295-1	SUPPORT -----	1	S
	0713953-1	REINFORCEMENT -----	1	S
- 8B	AN3-5A	BOLT -----	1	S
- 8C	AN742D3	CLAMP -----	1	S
- 8D	NAS43D03-16	SPACER -----	1	S
- 8E	MS21044N3	NUT -----	1	S
- 9	S1053K24T	HOSE-26.0 IN. LG. BULK ITEM REF S-1053K24T26.0 -----	1	
		ATTACHING PARTS		
-10	NAS397-50-1	CLAMP -----	1	
		-----*		
-11	S1241-7	CONTROL-CABIN HEAT -----	1	E
	S1241-3	CONTROL-CABIN HEAT -----	1	K
	S1239-31	CONTROL-CABIN HEAT -----	1	N
	S1239-48	CONTROL-CABIN HEAT -----	1	P
		ATTACHING PARTS		
-12	0450311-5	CLAMP -----	1	
-13	AN960-10L	WASHER -----	1	
-14	MS21044N3	NUT -----	1	
	AN742D3	CLAMP -----	1	
-14A	S1485D4U	CLAMP -----	1	G
	S1021Z8-8	SCREW -----	1	G
	NAS446-4-3	NUT -----	1	G
-14B	AN742D3	CLAMP -----	1	R
-14C	AN742D12	CLAMP -----	1	R
	AN520-10R8	SCREW -----	1	R
	MS21044N3	NUT -----	1	R
		-----*		
-15	0713019-102	DUCT ASSEMBLY-CABIN HEATER -----	1	D
	0713019-105	DUCT ASSEMBLY-CABIN HEATER -----	1	C
	0713322-1	DUCT ASSEMBLY-CABIN HEATER -----	1	T
		ATTACHING PARTS		
-16	S1021Z8-8	SCREW -----	2	
-17	NAS395-14-3	NUT -----	2	
		-----*		
-18	0713133-1	UNION-COLD AIR -----	1	
	0713505-1	BRACKET -----	1	C
	0713761-1	BRACKET -----	1	T
-19	1253031-3	ADAPTER -----	2	G
-19A	0713246-1	END PLATE -----	2	G
-20	0713019-86	RETAINER-UPHOLSTERY -----	1	
-20A	0713019-86	RETAINER-UPHOLSTERY -----	2	U
	0713322-6	RETAINER-UPHOLSTERY -----	2	T
		ATTACHING PARTS		
-21	S1021Z8-8	SCREW -----	4	
		-----*		
-22	0713019-91	RETAINER-UPHOLSTERY -----	1	
		ATTACHING PARTS		
-23	S1021Z8-8	SCREW -----	4	
		-----*		
-24	S1053E16T	HOSE-24.0 IN. LG. BULK ITEM REF S-1053E16T24.0 -----	1	E
	S1053E16T	HOSE-32.0 IN LG BULK ITEM REF S1053E16T32.0 -----	1	F
		ATTACHING PARTS		
-25	NAS397-32	CLAMP -----	2	
		-----*		
-26	0713003-45	NOZZLE -----	1	E
-26A	0513345-4	NOZZLE ASSEMBLY WHEN EXHAUSTED USE 0513386-1 -----	1	H
	0513386-1	NOZZLE ASSEMBLY -----	1	J
-27	0713019-7	VALVE GUIDE-DEFROST -----	1	

CONTINUED ON NEXT PAGE

FIGURE AND INDEX NO.	PART NUMBER	DESCRIPTION						UNITS PER ASSY	USABLE ON CODE	
		1	2	3	4	5	6			7
89 -28	0713019-94	VALVE ASSEMBLY-DEFROST -----						2		
	0713303-2	KNOB-DEFROST VALVE -----						1	M	
	S1760-1	KNOB-DEFROST VALVE -----						1	L	
	AN515-8R4	ATTACHING PARTS -----								
	AN936A8	SCREW -----						1		
		WASHER -----						1		
		-----*								
-29	0713164-1	#	DUCT-CABIN LH -----				1	A		
	0713019-1		DUCT-CABIN HEAT LH -----				1	B		
	S1110ET		DUCT-CABIN LH * IN LG BULK ITEM REF S1110ET-* ---				1	G		
-30	0713164-2	#	DUCT-CABIN HEAT RH -----				1	A		
	0713019-104		DUCT-CABIN HEAT RH -----				1	B		
	S1110ET		DUCT-CABIN RH * IN LG BULK ITEM REF S1110ET-* ---				1	G		
			ATTACHING PARTS -----							
	S1021Z8-8		SCREW -----						8	
	S1026BG		CLAMP-10.90 IN LG BULK ITEM REF S1026BG10.90X -----				2	G		
			-----*							
-31	0513309-1		OUTLET ASSEMBLY-HEATER DUCT -----						2	G
			ATTACHING PARTS -----							
	S1021Z6-6		SCREW -----						4	G
			-----*							
-32	0513238-1		UNION -----						2	G
<p>NOTE. *HOSE LENGTH TO BE ADDED LATER</p> <p>NOTE. #HEATER DUCTS ARE INCLUDED WITH UPHOLSTERY SIDE PANEL ON THE DELUXE MODEL SERIAL 185-0001 THRU 185-0237, SEE FIGURE 57.</p> <p>A---SERIAL 185-0001 THRU 185-0967 B---SERIAL 18051184 THRU 18051607 C---SERIAL 185-0001 THRU 18502007, 18502026, 18502027 SERIAL 18051313 & ON D---SERIAL 18051184 THRU 18051312 E---SERIAL 185-0001 THRU 185-0776 SERIAL 18051184 THRU 18051445 F---SERIAL 185-0777 & ON SERIAL 18051446 & ON G---SERIAL 185-0968 & ON SERIAL 18051608 & ON H---SERIAL 185-0777 THRU 185-0912 SERIAL 18051446 THRU 18051552 J---SERIAL 185-0913 & ON SERIAL 18051553 & ON K---SERIAL 185-0777 THRU 185-1300 SERIAL 18051446 THRU 18051875 L---SERIAL 185-1301 & ON SERIAL 18051876 & ON M---SERIAL 185-0001 THRU 185-1300 SERIAL 18051184 THRU 18051875 N---SERIAL 185-1301 THRU 185-1599 SERIAL 18051876 THRU 18052103 P---SERIAL 18501600 & ON SERIAL 18052104 & ON Q---SERIAL 185-0001 THRU 185-1583 SERIAL 18051184 THRU 18052093 R---SERIAL 185-1301 THRU 185-1583 SERIAL 18051876 THRU 18052093 S---SERIAL 185-1584 & ON SERIAL 18052094 & ON T---SERIAL 18502008 THRU 18502025, 18502028 & ON U---SERIAL 185-0001 THRU 18502007, 18502026, 18502027 SERIAL 18051184 & ON</p>										

This page intentionally left blank.

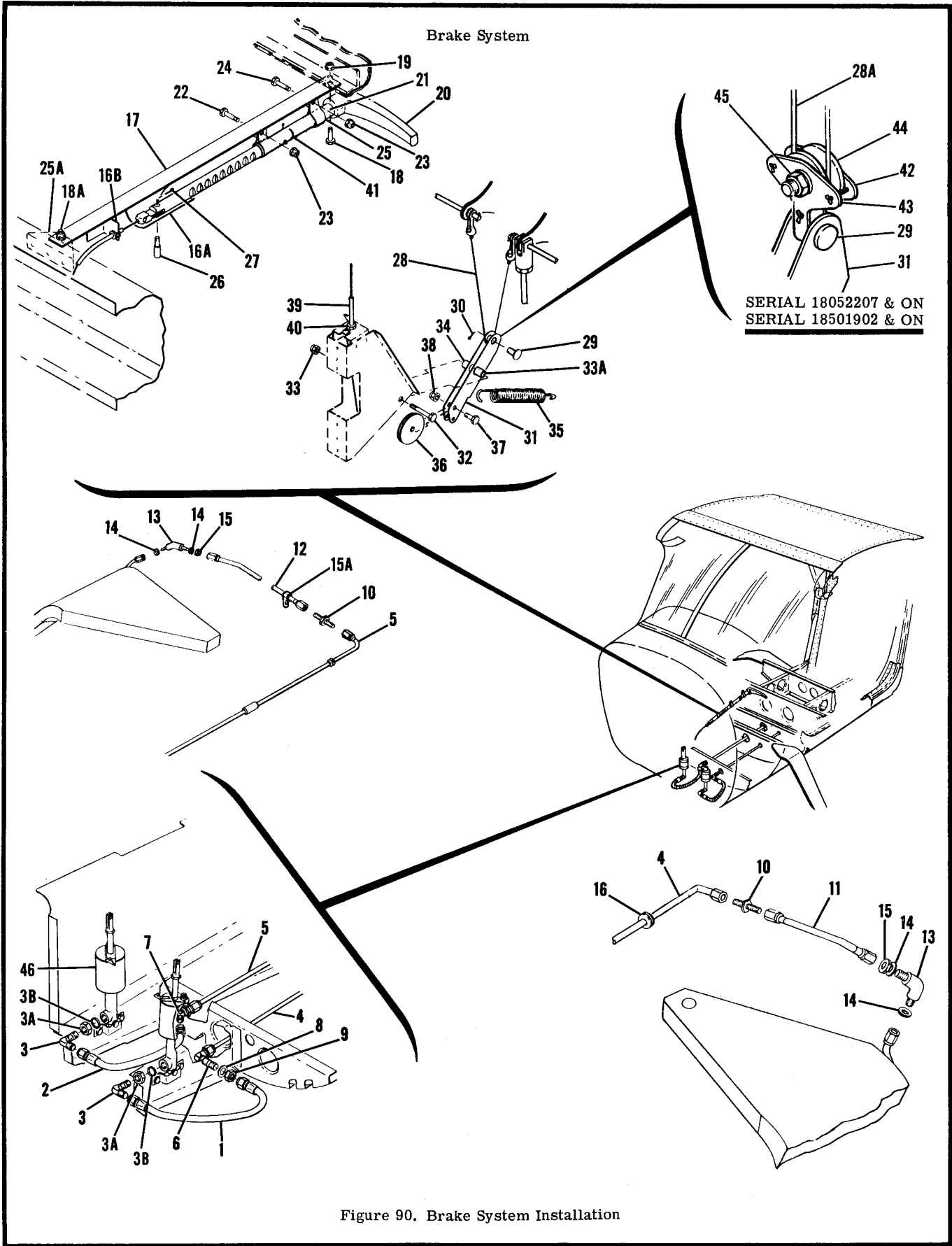




FIGURE AND INDEX NO.	PART NUMBER	DESCRIPTION	UNITS PER ASSY	USABLE ON CODE		
					1	2
90 -		BRAKE SYSTEM INSTALLATION	NP			
- 1	S1167-4-0100	HOSE ASSEMBLY-MASTER CYLINDER TO ELBOW LH	1	D		
	S1167-3-0100	HOSE ASSEMBLY-MASTER CYLINDER TO ELBOW LH	1	E		
- 2	S1167-4-0080	HOSE ASSEMBLY-MASTER CYLINDER TO ELBOW RH	1	D		
	S1167-3-0080	HOSE ASSEMBLY-MASTER CYLINDER TO ELBOW RH WEU S1167-3-0085	1	H		
	S1167-3-0085	HOSE ASSEMBLY-MASTER CYLINDER TO ELBOW RH	1	J		
		ATTACHING PARTS				
- 3	AN921-4D	ELBOW	1	D		
	AN921-3D	ELBOW	1	E		
- 3A	AN924-4D	NUT	1	D		
	AN924-3D	NUT	1	E		
- 3B	MS28778-4	GASKET	1	D		
	MS28778-3	GASKET	1	E		

- 4	0500106-35	LINE ASSEMBLY-BRAKE LH	1	D		
	0700147-19	LINE ASSEMBLY-BRAKE LH WHEN EXHAUSTED USE 0700147-39	1	F		
	0700147-39	LINE ASSEMBLY-BRAKE LH	1	G		
- 5	0500106-14	LINE ASSEMBLY-BRAKE RH	1	D		
	0700147-20	LINE ASSEMBLY-BRAKE RH WHEN EXHAUSTED USE 0700147-40	1	F		
	0700147-40	LINE ASSEMBLY-BRAKE RH	1	G		
		ATTACHING PARTS				
- 6	AN833-4D	ELBOW-LH	1	D		
	AN833-3D	ELBOW-LH	1	E		
- 7	AN837-4D	ELBOW-RH	1	D		
	AN837-3D	ELBOW RH	1	E		
- 8	AN960-716L	WASHER	1	D		
	AN960-616L	WASHER	1	E		
- 9	AN924-4D	NUT	1	D		
	AN924-3D	NUT	1	E		
-10	AN815-4D	UNION	1	D		
	AN815-3D	UNION	1	E		

-11	0500106-12	LINE ASSEMBLY-BRAKE LH	1	D		
	0700147-21	LINE ASSEMBLY-BRAKE LH WHEN EXHAUSTED USE 0700147-41	1	F		
	0700147-41	LINE ASSEMBLY-BRAKE LH	1	G		
-12	0500106-13	LINE ASSEMBLY-BRAKE RH	1	D		
	0700147-22	LINE ASSEMBLY-BRAKE RH WHEN EXHAUSTED USE 0700147-42	1	F		
	0700147-42	LINE ASSEMBLY-BRAKE RH	1	G		
		ATTACHING PARTS				
-13	AN833-4D	ELBOW	1	D		
	AN833-3D	ELBOW	1	E		
-14	AN960-716L	WASHER	2	D		
	AN960-616L	WASHER	2	E		
-15	AN924-4D	NUT	1	D		
	AN924-3D	NUT	1	E		

-15A	AN742D3	CLAMP	1	E		
		ATTACHING PARTS				
	AN515-8R22	SCREW	1	E		
	NAS43DD3-56	SPACER	1	E		
	NAS679A08	NUT	1	E		

-16	MS35489-7	GROMMET	2	D		
	MS35489-5	GROMMET LH SIDE ONLY	1	E		
		PARKING BRAKE INSTALLATION	NP			
-16A	0713070-4	RACK-POSITIONING	1			
-16B	0713070-5	ANGLE-PARKING BRAKE	1			
-17	0713070-33	ANGLE-PARKING BRAKE	1	A		
	0713070-23	ANGLE-PARKING BRAKE	1	B		
		ATTACHING PARTS				
-18	AN3-6A	BOLT	1	A		
	AN3-5A	BOLT	1	K		
	AN3-7A	BOLT	1	L		
	NAS43DD3-16	SPACER	1	A		
	NAS43DD3-23	SPACER BETWEEN INSTRUMENT PANEL & ANGLE	1	L		
-18A	AN3-3A	BOLT	1			
-19	MS21044N3	NUT	2			

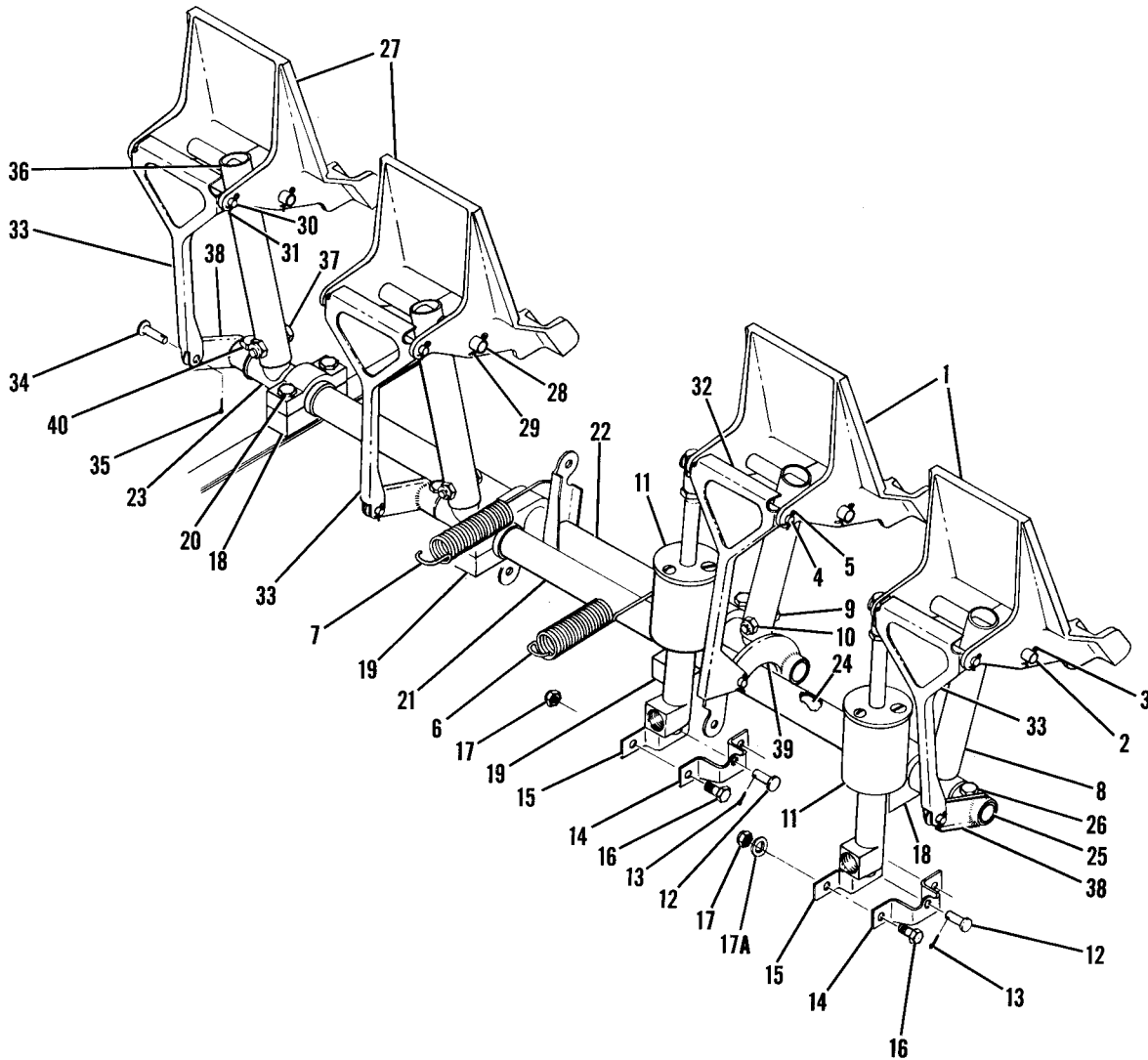
-20	0813150-55	HANDLE ASSEMBLY-PARKING BRAKE	1			
	0811490-6	HANDLE-PARKING BRAKE	1			
	0813150-54	TUBE-PARKING BRAKE	1			
	NAS561-5-12	ROLL PIN	1			

CONTINUED ON NEXT PAGE

FIGURE AND INDEX NO.	PART NUMBER	DESCRIPTION	UNITS PER ASSY	USABLE ON CODE
90 -21	0813156-4	HOUSING ASSEMBLY-HANDLE ----- ATTACHING PARTS -----	1	
-22	AN3-6A	BOLT -----	1	
	0713070-15	SPACER -----	1	
-23	MS21044N3	NUT -----	2	
-24	AN3-6A	BOLT -----	1	
	0713070-32	SPACER BETWEEN CLAMP & ANGLE -----	1	
-25	0713070-25	CLAMP -----	1	
	AN960C10L	WASHER BETWEEN EARS OF CLAMP -----	1	
	AN960C10	WASHER BETWEEN EARS OF CLAMP -----	1	
		-----*		
-25A	0713070-12	ANGLE-PARKING BRAKE -----	1	A
	0713761-1	ANGLE-PARKING BRAKE -----	1	B
-26	0713070-6	PIN-POSITIONING -----	1	
-27	MS24665-132	PIN-COTTER -----	1	
-28	0510105-70	CABLE ASSEMBLY -----	1	M
-28A	0510105-232	CABLE ASSEMBLY -----	1	N
-29	MS20392-4C13	PIN -----	1	
-30	MS24665-281	PIN-COTTER -----	1	
-31	0713070-9	BELLCRANK ASSEMBLY ----- ATTACHING PARTS -----	1	
-32	AN3-13A	BOLT -----	1	
-33	MS21044N3	NUT -----	1	
-33A	0713070-19	SPACER INSIDE OF 0713070-11 BUSHING ----- -----*	1	
-34	0713070-11	BUSHING-BELLCRANK -----	1	
-35	0713063	SPRING-PARKING BRAKE -----	1	
-36	S378-1L	PULLEY ----- ATTACHING PARTS -----	1	
-37	AN3-5A	BOLT -----	1	
-38	MS21044N3	NUT ----- -----*	1	
-39	0713070-28	TUBE ASSEMBLY INCLUDES CABLE -----	1	A
	0713070-31	TUBE ASSEMBLY INCLUDES CABLE STAINLESS STEEL -----	1	A
	0713070-16	TUBE ASSEMBLY INCLUDES CABLE -----	1	B
-40	AN315-3R	NUT -----	4	
-41	0713070-24	CATCH-PARKING BRAKE ----- ATTACHING PARTS -----	1	
	AN960-4	WASHER ----- -----*	1	
-42	0713959-4	BRACKET ASSEMBLY -----	1	N
-43	MS24665-134	COTTER PIN -----	3	N
-44	S1710-1	PULLEY ----- ATTACHING PARTS -----	1	N
-45	AN3-6A	BOLTS -----	1	N
	0411783	BUSHING -----	1	N
	AN960-10L	WASHER -----	1	N
	MS21044N3	NUT ----- -----*	1	N
-46		MASTER BRAKE CYLINDER ASSEMBLY SEE FIGURE 93 -----	1	
		A---SERIAL 18051184 THRU 18051445 SERIAL 185-0001 THRU 185-0776		
		B---SERIAL 18051446 & ON SERIAL 185-0777 & ON		
		D---SERIAL 18051184 THRU 18051909 SERIAL 185-0001 THRU 185-1341		
		E---SERIAL 18051910 & ON SERIAL 185-1342 & ON		
		F---SERIAL 18051910 THRU 18052076 SERIAL 185-1342 THRU 185-1539		
		G---SERIAL 18052077 & ON SERIAL 185-1540 & ON		
		H---SERIAL 18051910 THRU 18052177 SERIAL 185-1342 THRU 18501812		
		J---SERIAL 18052178 & ON SERIAL 18501813 & ON		
		K---SERIAL 18051446 THRU 18052175 SERIAL 185-0777 THRU 18501832		
		L---SERIAL 18052176 & ON SERIAL 18501833 & ON		
		M---SERIAL 18051184 THRU 18052206 SERIAL 185-0001 THRU 18501901		
		N---SERIAL 18052207 & ON SERIAL 18501902 & ON		

This page intentionally left blank.

Flight Controls

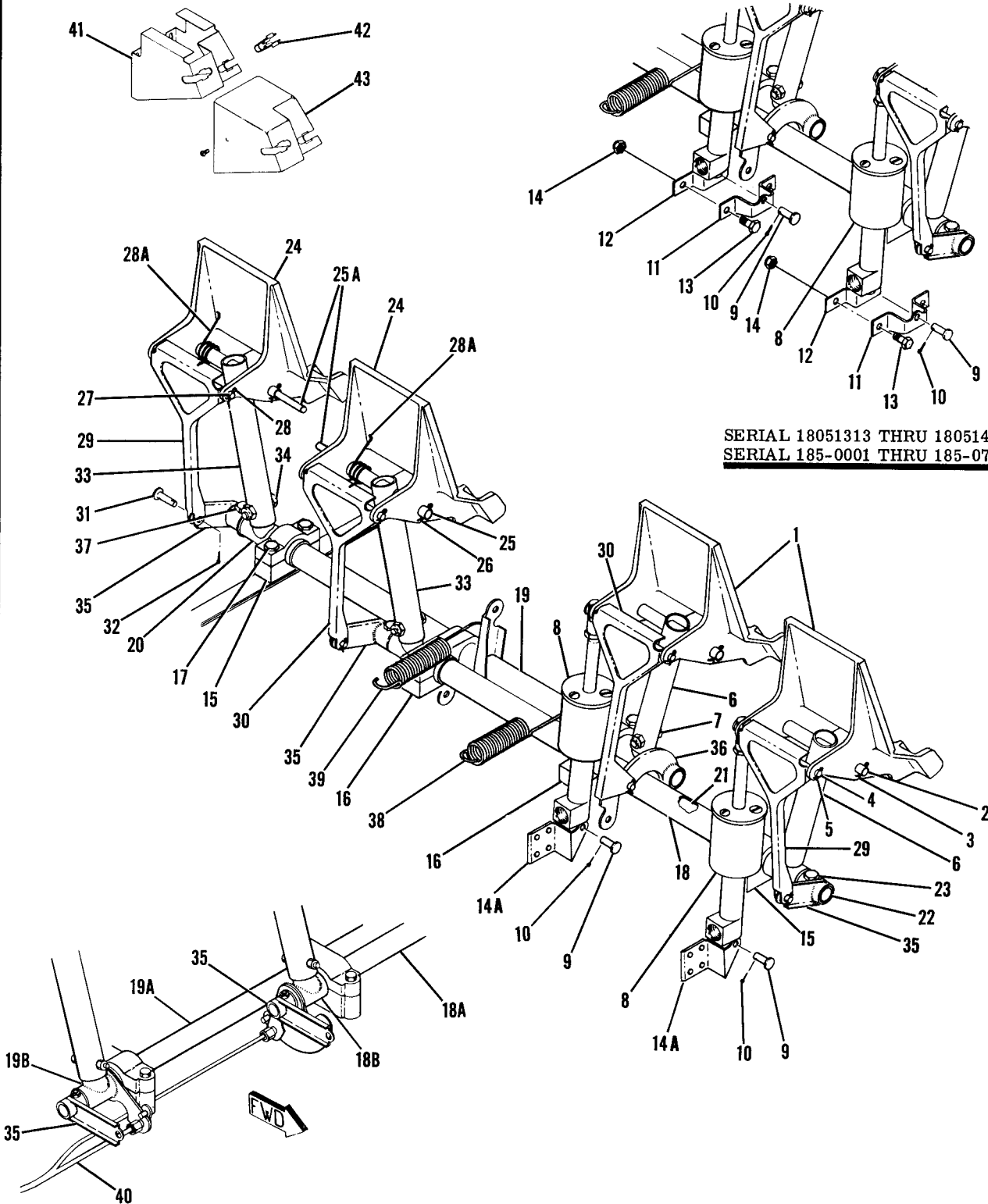


SERIAL 18051184 THRU 18051312

Figure 91. Rudder and Brake Pedal Installation

FIGURE AND INDEX NO.	PART NUMBER	DESCRIPTION	UNITS PER ASSY	USABLE ON CODE
91 -		PEDAL INSTALLATION-BRAKE & RUDDER LH -----	NP	A
- 1	1460320-1	PEDAL-BRAKE & RUDDER -----	2	
		ATTACHING PARTS		
- 2	1460501-21	SHAFT -----	1	
- 3	MS24665-285	PIN-COTTER -----	2	
- 4	0411778-2	SHAFT -----	1	
- 5	MS24665-132	PIN-COTTER -----	2	
		-----*		
- 6	0310196-5	SPRING-BRAKE & RUDDER RETURN LH -----	1	
- 7	0310196-12	SPRING-BRAKE & RUDDER RETURN RH -----	1	
- 8	0411307	ARM-RUDDER BAR -----	2	
		ATTACHING PARTS		
- 9	AN3-11A	BOLT -----	1	
-10	MS21044N3	NUT -----	1	
		-----*		
-11	0541138-16	MASTER CYLINDER ASSEMBLY-BRAKE SEE FIGURE 93 -----	2	
		ATTACHING PARTS		
-12	MS20392-2C15	PIN -----	1	
-13	MS24665-132	PIN-COTTER -----	1	
		-----*		
-14	0411550	BRACKET-BRAKE CYLINDER OUTSIDE -----	2	
-15	0411549	BRACKET-BRAKE CYLINDER INSIDE -----	2	
		ATTACHING PARTS		
-16	AN3-4A	BOLT -----	4	
-17	MS21044N3	NUT -----	4	
-17A	AN960-10L	WASHER -----	2	
		-----*		
-18	0411263-5	BEARING HALF-UPPER OUTBOARD -----	2	
	0411263-6	BEARING HALF-LOWER OUTBOARD -----	2	
-19	0411264-5	BEARING HALF-UPPER INBOARD -----	2	
	0411264-6	BEARING HALF-LOWER INBOARD -----	2	
		ATTACHING PARTS		
-20	AN3-14A	BOLT -----	2	
	AN960-10	WASHER -----	2	
	MS21044N3	NUT -----	2	
		-----*		
-21	0411306-5	WELD ASSEMBLY LH LANDPLANE ONLY -----	1	
	0411306-205	WELD ASSEMBLY LH FLOATPLANE ONLY -----	1	
-22	0411306-6	WELD ASSEMBLY RH LANDPLANE ONLY -----	1	
	0411306-206	WELD ASSEMBLY RH FLOATPLANE ONLY -----	1	
-23	S1003-43A	BEARING -----	4	
-24	0411565	TUBE-DUAL BRAKE -----	2	
-25	0411562	HUB-DUAL BRAKE -----	4	
		ATTACHING PARTS		
-26	AN3-10A	BOLT -----	1	
	MS21044N3	NUT -----	1	
		-----*		
-27	1460320-1	PEDAL INSTALLATION-BRAKE & RUDDER RH -----	1	
		PEDAL-BRAKE & RUDDER -----	2	
		ATTACHING PARTS		
-28	1460501-21	SHAFT -----	1	
-29	MS24665-285	PIN-COTTER -----	2	
-30	0411778-2	SHAFT -----	1	
-31	MS24665-132	PIN-COTTER -----	2	
	NAS42HT6-8	SPACER -----	1	
		-----*		
-32	0411564	LINK-DUAL BRAKES -----	3	
-33	0411564-3	LINK-DUAL BRAKES -----	1	
		ATTACHING PARTS		
-34	MS20392-2C15	PIN -----	1	
-35	MS24665-132	PIN-COTTER -----	1	
	NAS43HT3-12	SPACER -----	1	
		-----*		
-36	0411307	ARM-RUDDER BAR -----	2	
		ATTACHING PARTS		
-37	AN3-11A	BOLT -----	1	
	MS21044N3	NUT -----	1	
		-----*		
-38	0411563	BELLCRANK -----	3	
-39	0411573-1	BELLCRANK -----	1	
		ATTACHING PARTS		
-40	AN3-10A	BOLT -----	1	
	MS21044N3	NUT -----	1	
		-----*		
A---SERIAL 18051184 THRU 18051312				

Flight Controls (Cont)



SERIAL 18051313 THRU 18051478
 SERIAL 185-0001 THRU 185-0796

SERIAL 185-0001 & ON
 SERIAL 18051313 & ON

Figure 92. Rudder and Brake Pedal Installation

FIGURE AND INDEX NO.	PART NUMBER	DESCRIPTION	UNITS PER ASSY	USABLE ON CODE
		1 2 3 4 5 6 7		
92 -		PEDAL INSTALLATION-BRAKE & RUDDER -----	NP	C
- 1	0310453	PEDAL-BRAKE & RUDDER -----	2	A
	1460320-1	PEDAL-BRAKE & RUDDER ----- ATTACHING PARTS	2	B
- 2	0411369-2	SHAFT -----	1	A
	1460501-21	SHAFT -----	1	B
- 3	MS24665-285	PIN-COTTER -----	2	
- 4	0411778-3	SHAFT -----	1	A
	0411778-2	SHAFT -----	1	B
- 5	MS24665-132	PIN-COTTER ----- *-----	2	
- 6	0411307	ARM-RUDDER BAR ----- ATTACHING PARTS	2	
- 7	AN3-11A	BOLT -----	1	
	MS21044N3	NUT ----- *-----	1	
- 8		MASTFR CYLINDER ASSEMBLY-BRAKE SEE FIGURE 93 ----- ATTACHING PARTS	2	
- 9	MS20392-2C15	PIN -----	1	
-10	MS24665-132	PIN-COTTER ----- *-----	1	
-11	0411550	BRACKET-BRAKE CYLINDER OUTSIDE -----	2	E
-12	0411549	BRACKET-BRAKE CYLINDER INSIDE ----- ATTACHING PARTS	2	E
-13	AN3-4A	BOLT -----	2	E
-14	MS21044N3	NUT ----- *-----	2	E
-14A	0713624-2	ANCHOR-BRAKE CYLINDER -----	2	F
-15	0411263-5	BEARING HALF-UPPER OUTBOARD WHEN EXHAUSTED USE S1674-1 --	2	G
	0411263-6	BEARING HALF-LOWER OUTBOARD WHEN EXHAUSTED USE S1674-1 --	2	G
	S1674-1	* BEARING HALF-OUTBOARD -----	4	H
-16	0411264-5	BEARING HALF-UPPER INBOARD WHEN EXHAUSTED USE S1675-1 --	2	G
	0411264-6	BEARING HALF-LOWER INBOARD WHEN EXHAUSTED USE S1675-1 --	2	G
	S1675-1	* BEARING HALF-INBOARD ----- ATTACHING PARTS	4	H
-17	AN3-16A	BOLT -----	2	
	AN960-10	WASHER -----	2	
	MS21044N3	NUT ----- *-----	2	
-18	0411306-9	WELD ASSEMBLY-LH LANDPLANE -----	1	J
	0411302-203	WELD ASSEMBLY-LH FLOATPLANE -----	1	T
	0411306-15	WELD ASSEMBLY-LH LANDPLANE -----	1	K
	0411306-201	WELD ASSEMBLY-LH FLOATPLANE -----	1	U
-18A	0760012-3	RUDDER BAR ASSEMBLY-DISENGAGING PEDALS LH LANDPLANE -----	1	N
	0760012-1	RUDDER BAR ASSEMBLY-DISENGAGING PEDALS LH LANDPLANE -----	1	P
	0760012-7	RUDDER BAR ASSEMBLY-DISENGAGING PEDALS LH FLOATPLANE -----	1	V
-18B	1260460-1	STUB ASSEMBLY-DISENGAGING PEDALS LH LANDPLANE -----	1	M
	1260460-5	STUB ASSEMBLY-DISENGAGING PEDALS LH FLOATPLANE -----	1	V
-19	0411306-10	WELD ASSEMBLY-RH LANDPLANE -----	1	J
	0411306-204	WELD ASSEMBLY-RH FLOATPLANE -----	1	T
	0411306-16	WELD ASSEMBLY-RH LANDPLANE -----	1	K
	0411306-202	WELD ASSEMBLY-RH FLOATPLANE -----	1	U
-19A	0760012-4	RUDDER BAR ASSEMBLY-DISENGAGING PEDALS RH LANDPLANE -----	1	N
	0760012-2	RUDDER BAR ASSEMBLY-DISENGAGING PEDALS RH LANDPLANE -----	1	P
	0760012-6	RUDDER BAR ASSEMBLY-DISENGAGING PEDALS RH FLOATPLANE -----	1	V
-19B	1260460-2	STUB ASSEMBLY-DISENGAGING PEDALS RH LANDPLANE -----	1	M
	1260460-4	STUB ASSEMBLY-DISENGAGING PEDALS RH FLOATPLANE -----	1	V
-20	S1003-43A	BEARING -----	4	
-21	0411565	TUBE-DUAL BRAKE -----	2	
-22	0411562	HUB USED WITH SINGLE CONTROLS ----- ATTACHING PARTS	4	
-23	AN3-10A	BOLT -----	1	
	MS21044N3	NUT ----- *-----	1	

CONTINUED ON NEXT PAGE

FIGURE AND INDEX NO.	PART NUMBER	DESCRIPTION							UNITS PER ASSY	USABLE ON CODE
		1	2	3	4	5	6	7		
92 -24	0310453 1460320-1	PEDAL-BRAKE & RUDDER -----							2	A
		PEDAL-BRAKE & RUDDER -----							2	B
		ATTACHING PARTS -----								
-25	0411369-2	SHAFT -----							1	A
	1460501-21	SHAFT -----							1	Q
	1460501-36	SHAFT -----							1	M
-25A	0713914-1	PIN -----							1	M
-26	MS24665-285	PIN-COTTER -----							2	
-27	0411778-2	SHAFT -----							1	L
	0411778-4	SHAFT -----							1	M
-28	MS24665-132	PIN-COTTER -----							2	
	NAS42HT6-8	SPACER -----							1	L
	S1438-2	WASHER -----							AR	
		---*---								
-28A	1460505-1	SPRING -----							2	
-29	0411564	LINK-DUAL BRAKES -----							3	
-30	0411564-3	LINK-DUAL BRAKES -----							1	
		ATTACHING PARTS -----								
-31	MS20392-2C15	PIN -----							1	
-32	MS24665-132	PIN-COTTER -----							1	
	NAS43HT3-12	SPACER -----							1	
		---*---								
-33	0411307	ARM-RUDDER BAR -----							2	
		ATTACHING PARTS -----								
-34	AN3-11A	BOLT -----							1	
	MS21044N3	NUT -----							1	
		---*---								
-35	0411563	BELLCRANK ASSEMBLY	USED WITH DUAL CONTROLS						3	L
	1260021-1	BELLCRANK ASSEMBLY	USED WITH DUAL CONTROLS						3	M
-36	0411573-1	BELLCRANK ASSEMBLY	USED WITH DUAL CONTROLS						1	
		ATTACHING PARTS -----								
-37	AN3-10A	BOLT -----							1	
	MS21044N3	NUT -----							1	
		---*---								
-38	0713313-1	SPRING-BRAKE & RUDDER RETURN LH -----							1	D
-39	0713313-2	SPRING-BRAKE & RUDDER RETURN RH -----							1	R
-40	1260458-6	CONTROL ASSEMBLY-DISENGAGING RUDDER PEDALS -----							1	S
	1260458-7	CONTROL ASSEMBLY-DISENGAGING RUDDER PEDALS -----							1	S
		ATTACHING PARTS -----								
	AN742D3	CLAMP -----							3	M
	AN520-10-8	SCREW -----							2	M
	MS21044N3	NUT -----							1	M
	S1613-3-75	RIVNUT -----							1	M
		---*---								
-41	0713906-1	BRACKET-DISENGAGING RUDDER PEDALS -----							1	M
		ATTACHING PARTS -----								
	AN3-3A	BOLT -----							4	M
	MS21044N3	NUT -----							4	M
		---*---								
-42	S1213-1	CATCH -----							2	M
-43	0713907-1	COVER-BRACKET -----							1	M
		ATTACHING PARTS -----								
	S1021A8-6	SCREW -----							4	M
		---*---								

NOTE. *THESE PARTS MUST BE PURCHASED IN PAIRS
WHEN INITIALLY ORDERING FOR AIRCRAFT SERIALS
18051313 THRU 18051812 & 185-0001 THRU 185-1185.

- A---SERIAL 185-0001 THRU 185-0512
- B---SERIAL 185-0513 & ON
SERIAL 18051313 & ON
- C---SERIAL 185-0001 & ON
SERIAL 18051313 & ON
- D---SERIAL 18051313 & ON
- E---SERIAL 185-0001 THRU 185-0796
SERIAL 18051313 THRU 18051478
- F---SERIAL 185-0797 & ON
SERIAL 18051479 & ON
- G---SERIAL 185-0001 THRU 185-1185
SERIAL 18051313 THRU 18051812

CONTINUED ON NEXT PAGE



FIGURE AND INDEX NO.	PART NUMBER	DESCRIPTION							UNITS PER ASSY	USABLE ON CODE
		1	2	3	4	5	6	7		
92 -		H---	SERIAL	185-1186	& ON					
			SERIAL	18051813	& ON					
		J---	SERIAL	185-0001	THRU 185-1149					
			SERIAL	18051313	THRU 18051875					
		K---	SERIAL	185-1150	THRU 185-1300					
		L---	SERIAL	185-0001	THRU 185-1300					
			SERIAL	18051313	THRU 18051875					
		M---	SERIAL	185-1301	& ON					
			SERIAL	18051876	& ON					
		N---	SERIAL	18051876	THRU 18051993					
		P---	SERIAL	185-1301	& ON					
			SERIAL	18051994	& ON					
		Q---	SERIAL	185-0513	THRU 185-1300					
			SERIAL	18051313	THRU 18051875					
		R---	SERIAL	185-1301	THRU 185-1599					
			SERIAL	18051876	THRU 18052103					
		S---	SERIAL	18501600	& ON					
			SERIAL	18052104	& ON					
		T---	SERIAL	185-0001	THRU 185-0967	FLOATPLANE ONLY				
			SERIAL	18051313	THRU 18051875					
		U---	SERIAL	185-0968	THRU 185-1300	FLOATPLANE ONLY				
		V---	SERIAL	185-1301	& ON	FLOATPLANE ONLY				
			SERIAL	18051876	& ON	FLOATPLANE ONLY				

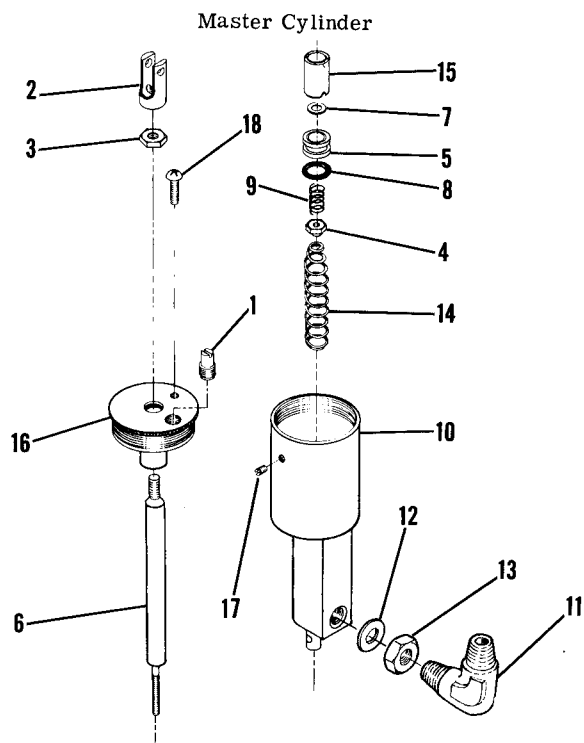
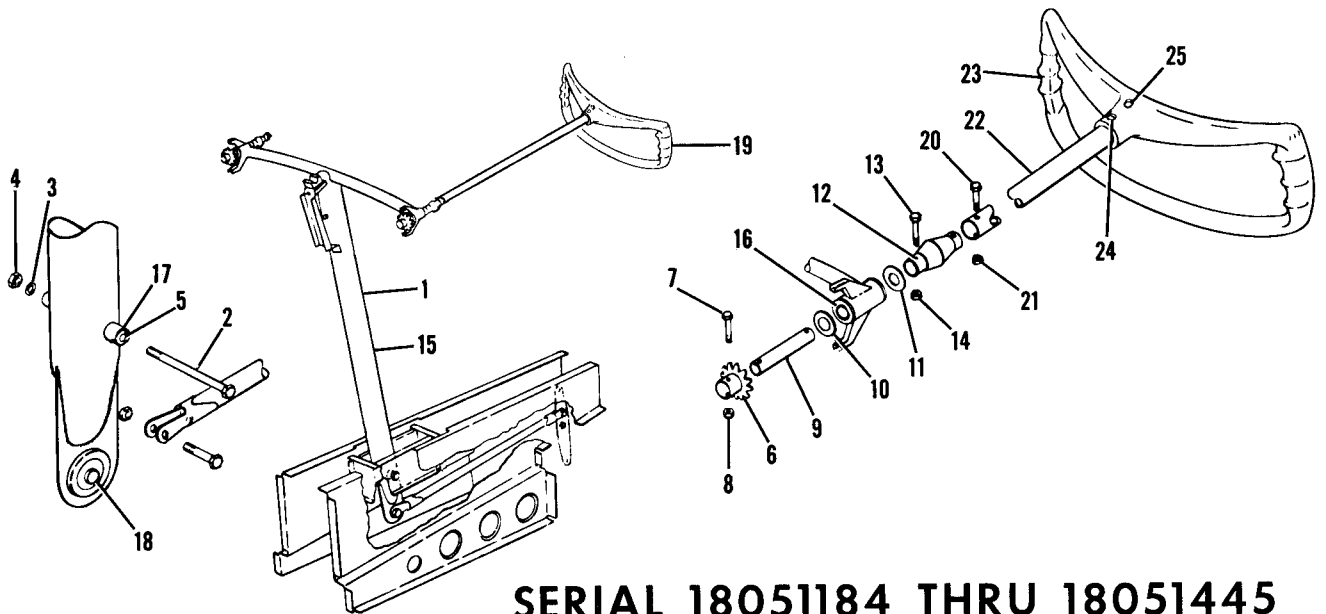


Figure 93. Brake Master Cylinder Assembly

FIGURE AND INDEX NO.	PART NUMBER	DESCRIPTION	UNITS PER ASSY	USABLE ON CODE
93 -	0541138-16	1 2 3 4 5 6 7 CYLINDER ASSEMBLY-BRAKE MASTER -----	2	A
	0541138-22	CYLINDER ASSEMBLY-BRAKE MASTER -----	2	B
- 1	0541139	PLUG -----	1	
- 2	0541140	CLEVIS -----	1	
- 3	AN316-4R	NUT-CHECK -----	1	
	0541138-5	PISTON ASSEMBLY-MASTER CYLINDER -----	1	
- 4	22FH632	ATTACHING PARTS NUT SPS -----	1	
		---*---		
- 5	0541143	PISTON-MASTER CYLINDER -----	1	
- 6	0541144	ROD-PISTON -----	1	
- 7	800-001-6	LOCK-O-SEAL PKSC -----	1	
- 8	AN622788	O RING -----	1	
- 9	0541148-1	SPRING-PISTON -----	1	
-10	0541147-2	BODY-MASTER CYLINDER WHEN EXHAUSTED USE 0541184-200 -----	1	
	0541184-200	BODY ASSEMBLY-MASTER CYLINDER -----	1	
	0541184-2	BODY-MASTER CYLINDER -----	1	A
-11	AN921-4D	ELBOW -----	1	B
-12	MS28778-4	GASKET -----	1	A
-13	AN924-4D	NUT -----	1	A
-14	0541148	SPRING -----	1	A
-15	0541149	SLEEVE -----	1	
-16	0541151	COVER -----	1	
-17	AN56506-3	SET SCREW -----	1	
-18	AN515-10R8	SCREW -----	1	
		A---SERIAL 185-0001 THRU 185-1341 SERIAL 18051184 THRU 18051909		
		B---SERIAL 185-1342 & ON SERIAL 18051910 & ON		

Flight Controls (Cont)



SERIAL 18051184 THRU 18051445 SERIAL 185-0001 THRU 185-0776

Figure 94. Control Tee Installation

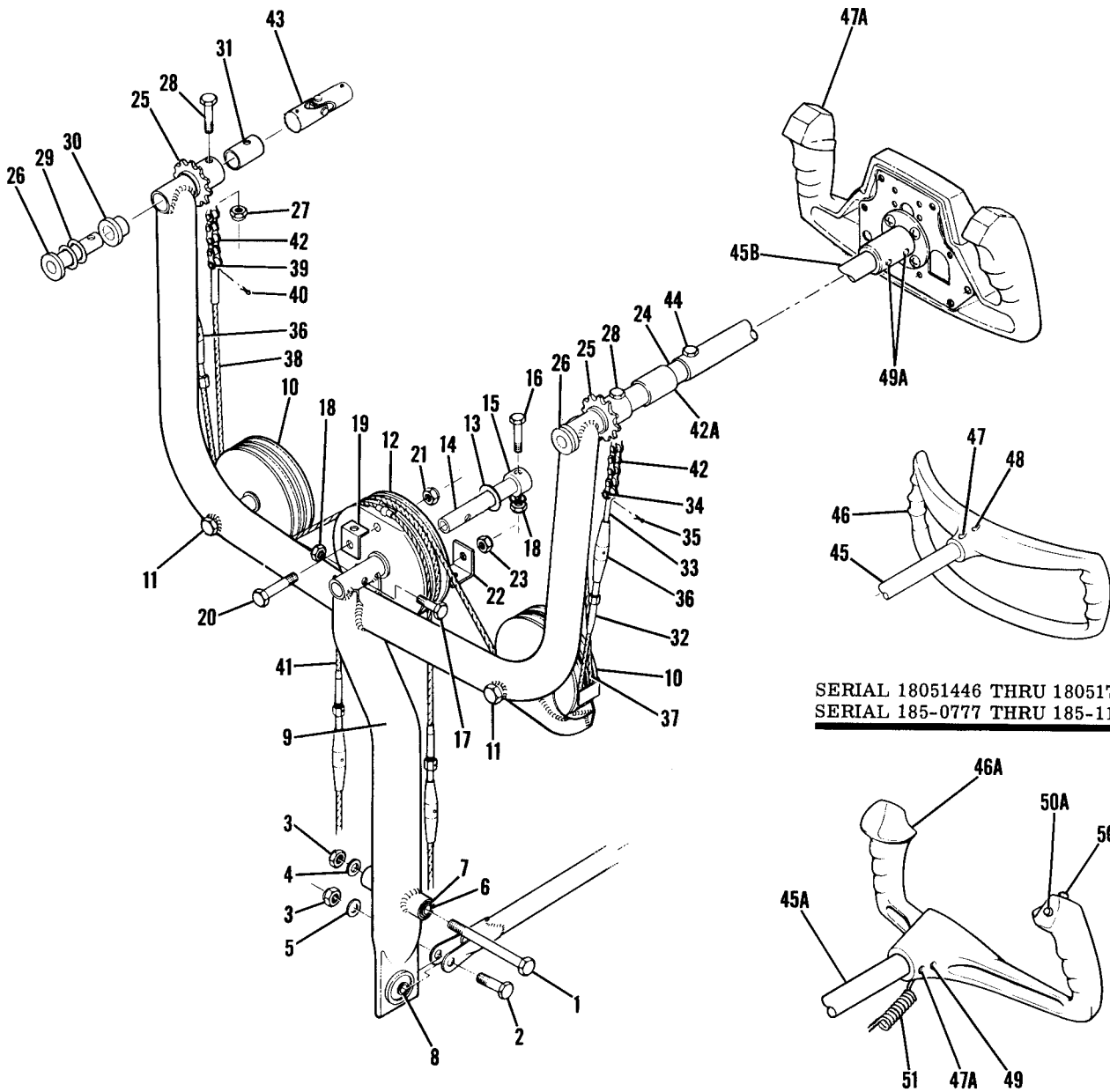
FIGURE AND INDEX NO.	PART NUMBER	DESCRIPTION	UNITS PER ASSY	USABLE ON CODE
94 -		1 2 3 4 5 6 7 CONTROL TEE INSTALLATION -----	NP	6
- 1	0411221-3	CONTROL TEE ASSEMBLY -----	1	
		ATTACHING PARTS -----		
- 2	AN4-31A	BOLT -----	1	
- 3	AN960-416L	WASHER -----	1	
- 4	NAS679A4	NUT -----	2	
- 5	S18-30	BUSHING -----	1	
		-----*		
- 6	0411047	SPROCKET-AILERON CHAIN -----	2	
		ATTACHING PARTS -----		
- 7	AN3-11A	BOLT -----	1	
- 8	MS21044N3	NUT -----	1	
		-----*		
- 9	0411255	SHAFT -----	2	
- 10	AN960-816	WASHER -----	2	
- 11	AN960A816L	WASHER -----	AR	
- 12	0411257	UNIVERSAL JOINT -----	2	
		ATTACHING PARTS -----		
- 13	AN3-10A	BOLT -----	1	
- 14	MS21044N3	NUT -----	1	
		-----*		
CONTINUED ON PAGE 228				

FIGURE AND INDEX NO.	PART NUMBER	DESCRIPTION							UNITS PER ASSY	USABLE ON CODE
		1	2	3	4	5	6	7		
94 -15	0411326-3	MACHINE ASSEMBLY-CONTROL TEE -----							1	
-16	F620	BUSHING AXD -----							4	
-17	8610	BEARING TOR -----							2	
-18	MS20200KP4	BEARING -----							1	
-19	0513167-7	CONTROL WHEEL ASSEMBLY LH -----							1	A
	0513167-13	CONTROL WHEEL ASSEMBLY-LH -----							1	B
	0513332-204	CONTROL WHEEL ASSEMBLY LH -----							1	C
	0513167-7	CONTROL WHEEL ASSEMBLY RH -----							1	A
	0513167-13	CONTROL WHEEL ASSEMBLY-RH -----							1	B
	0513332-204	CONTROL WHEEL ASSEMBLY RH -----							1	C
		ATTACHING PARTS								
-20	AN3-11A	BOLT -----							1	
-21	MS21044N3	NUT -----							1	
		---*---								
-22	0413213-7	TUBF-CONTROL -----							1	
-23	0513166-1	WHEEL-CONTROL -----							1	D
	0513166-3	WHEEL-CONTROL -----							1	C
		ATTACHING PARTS								
-24	0413216	RIVET -----							1	
-25	0413216-4	RIVET -----							1	
		---*---								
	0713217-2	EMBLEM-CONTROL WHEEL -----							1	A
	0700065-1	EMBLEM-CONTROL WHEEL -----							1	B
	0500125-1	PLATE-CONTROL WHEEL INSIGNIA -----							2	C
	0500125-8	INSIGNIA-CONTROL WHEEL -----							2	E
	0500125-11	INSIGNIA-CONTROL WHEEL -----							2	F
		A---SERIAL 18051184 THRU 18051312								
		B---SERIAL 185-0001 THRU 185-0653								
		C---SERIAL 18051313 THRU 18051445								
		SERIAL 185-0654 THRU 185-0776								
		D---SERIAL 18051184 THRU 18051312								
		SERIAL 185-0001 THRU 185-0653								
		E---SERIAL 18051313 THRU 18051445								
		F---SERIAL 185-0654 THRU 185-0776								
		G---SERIAL 18051184 THRU 18051445								
		SERIAL 185-0001 THRU 185-0776								

FIGURE AND INDEX NO.	PART NUMBER	DESCRIPTION	UNITS PER ASSY	USABLE ON CODE
94A-	0560006-1	CONTROL YOKE INSTALLATION ----- YOKE ASSEMBLY-CONTROL ----- ATTACHING PARTS	NP 1	A
- 1	AN4-31A	BOLT -----	1	
- 2	AN4-10A	BOLT -----	1	
- 3	NAS679A4	NUT -----	2	
- 4	AN960-416L	WASHER -----	1	
- 5	AN960-416	WASHER -----	1	
- 6	S18-30	BUSHING -----	1	
		*-----		
- 7	B610	BEARING TOR -----	1	
- 8	AN200KS4	BEARING -----	1	
- 9	0511782-1	WELD ASSEMBLY -----	1	
-10	S378-4	PULLEY -----	4	
-11	AN4-30A	BOLT -----	2	
	NAS679A4	NUT -----	2	
-12	0511783-1	DRUM ASSEMBLY ----- ATTACHING PARTS	1	
-13	AN960-816L	WASHER -----	2	
-14	0511784-1	SHAFT -----	1	
-15	0511787-1	RETAINER -----	1	
-16	AN3-11A	BOLT -----	1	
	AN960-10	WASHER -----	1	
-17	AN3-10A	BOLT -----	1	
-18	MS21044N3	NUT -----	2	
		*-----		
-19	0511786-1	CLAMP ----- ATTACHING PARTS	1	
-20	AN3-13A	BOLT -----	1	
-21	MS21044N3	NUT -----	1	
		*-----		
-22	0511786-2	CLAMP ----- ATTACHING PARTS	1	
	AN3-12A	BOLT -----	1	
-23	MS21044N3	NUT -----	1	
		*-----		
-24	0411257	JOINT-UNIVERSAL LH ONLY -----	1	
-25	0511785-1	SPROCKET ----- ATTACHING PARTS	2	
-26	0511788-1	SHAFT -----	1	
-27	MS21044N3	NUT -----	1	
-28	AN3-11A	BOLT -----	1	
-29	AN960-816L	WASHER -----	2	
-30	S1004-43A	BEARING -----	2	
		*-----		
-31	0511789-1	SPACER USE ONLY WHEN RH CONTROLS ARE NOT INSTALLED -----	1	
-32	0510105-213	CABLE ASSEMBLY -----	1	
	0510105-313	CABLE ASSEMBLY STAINLESS STEEL -----	1	
		ATTACHING PARTS		
-33	NAS288-35	TERMINAL -----	2	
-34	AN21-10	BOLT -----	2	
	AN960PD6L	WASHER -----	2	
	AN320-1	NUT -----	2	
-35	MS24665-5	PIN-COTTER -----	2	
-36	AN155B32S	BARREL -----	2	
		*-----		
-37	0510105-215	CABLE ASSEMBLY-LH -----	1	
	0510105-315	CABLE ASSEMBLY-LH STAINLESS STEEL -----	1	
-38	0510105-214	CABLE ASSEMBLY-RH -----	1	
	0510105-314	CABLE ASSEMBLY-RH STAINLESS STEEL -----	1	
		ATTACHING PARTS		
-39	AN21-10	BOLT -----	1	
	AN960PD6L	WASHER -----	1	
	AN320-1	NUT -----	1	
-40	MS24665-5	PIN-COTTER -----	1	
	AN155B32S	BARREL -----	1	
		*-----		

CONTINUED ON NEXT PAGE

Flight Controls (Cont)



SERIAL 18051446 THRU 18051774
 SERIAL 185-0777 THRU 185-1149

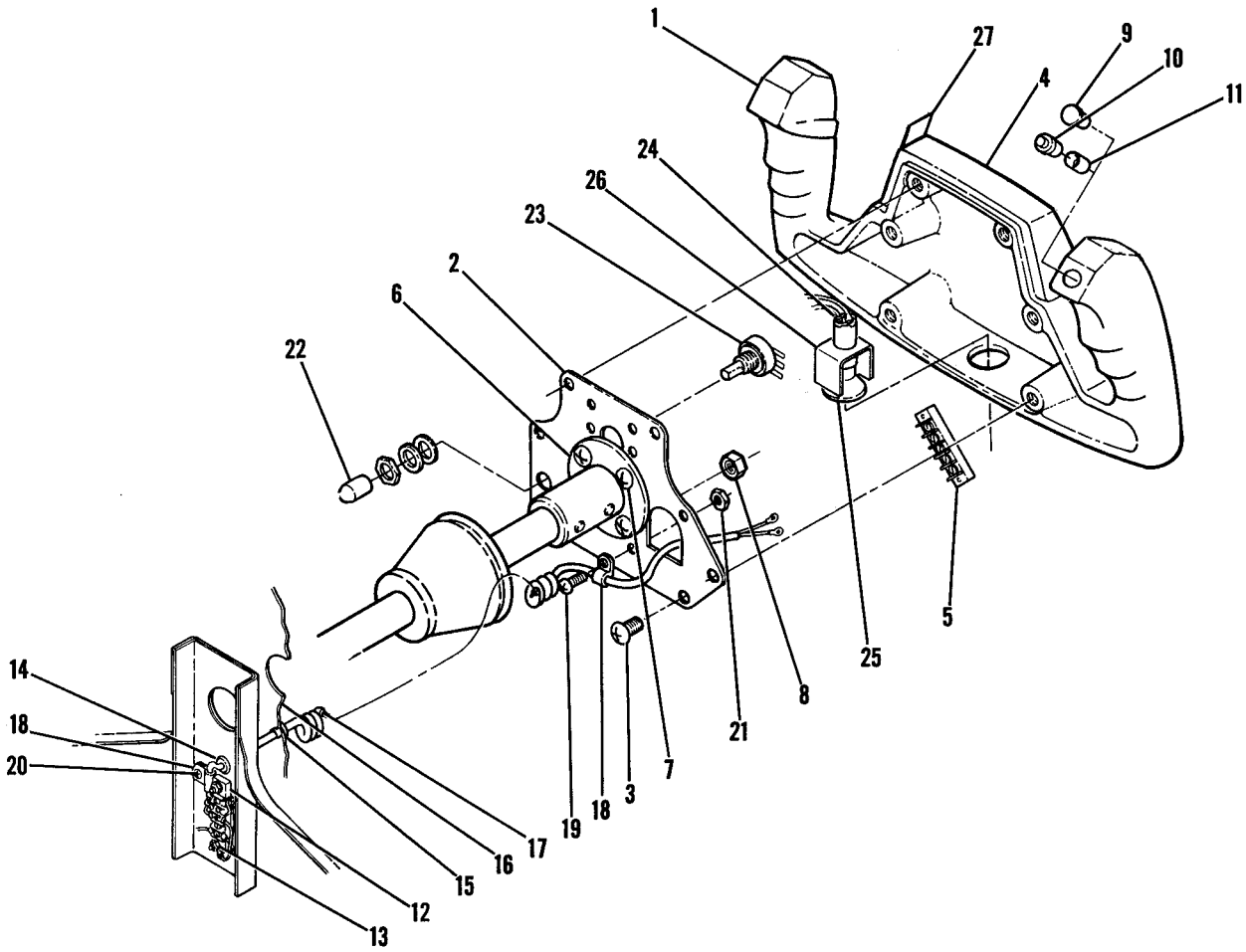
SERIAL 18051775 THRU 18052284
 SERIAL 185-1150 THRU 18502090

SERIAL 185-0777 & ON
SERIAL 18051446 & ON

Figure 94A. Control Yoke Installation

FIGURE AND INDEX NO.	PART NUMBER	DESCRIPTION	UNITS PER ASSY	USABLE ON CODE
		1 2 3 4 5 6 7		
94A-41	0510105-216	CABLE ASSEMBLY -----	1	
	0510105-316	CABLE ASSEMBLY STAINLESS STEEL -----	1	
-42	0413372-5	CHAIN -----	2	
-42A	S1495-10	HOSE-1.12 IN LG BULK ITEM REF S1495-10-1.12 -----	1	G
-43	0411257	JOINT-UNIVERSAL RH CONTROLS ONLY -----	1	
	0513332-205	CONTROL WHEEL ASSEMBLY-LH&RH NOT DRILLED FOR MIC SWITCH -----	2	B
	0761000-4	CONTROL WHEEL ASSEMBLY-LH&RH NOT DRILLED FOR MIC SWITCH -----	2	E
	1570149-200	CONTROL WHEEL ASSEMBLY-LH DRILLED FOR MIC SWITCH -----	1	J
		CONTROL WHEEL ASSEMBLY-LH DRILLED FOR MIC SWITCH -----	NP	K
	0761000-4	CONTROL WHEEL ASSEMBLY-RH NOT DRILLED FOR MIC SWITCH -----	1	F
		CONTROL WHEEL ASSEMBLY-LH & RH -----	NP	L
		ATTACHING PARTS		
-44	AN3-11A	BOLT -----	1	
	MS21044N3	NUT -----	1	
		*-----		
-45	0413213-7	TUBE-CONTROL -----	1	B
-45A	0413213-14	TUBE-CONTROL WEU 0413213-18 -----	1	D
	0413213-18	TUBE-CONTROL -----	1	H
-45B	0413213-24	TUBE-CONTROL -----	1	L
-46	0513166-7	WHEEL-CONTROL-LH&RH NOT DRILLED FOR MIC SWITCH -----	1	B
-46A	1560001-13	WHEEL-CONTROL USE WITH 0761000-4 NOT DRILLED -----	1	C
		FOR MIC SWITCH		
	1570149-201	WHEEL ASSEMBLY-CONTROL-LH DRILLED FOR MIC SWITCH -----	1	J
		WEU 1570149-202		
	1570149-202	WHEEL ASSEMBLY-CONTROL-LH DRILLED FOR MIC SWITCH -----	1	K
-46B	SEE FIG 94B	WHEEL ASSEMBLY-CONTROL -----	1	L
		ATTACHING PARTS		
-47	0413216	RIVET -----	1	B
-47A	0413216-2	RIVET -----	1	C
-48	0413216-4	RIVET -----	1	B
-49	0413216-5	RIVET -----	1	C
-49A	0413216-6	RIVET -----	2	C
		*-----		
	1560110-3	PLUG-MIKE SWITCH HOLE -----	1	J
	AN565B4-2	SCREW ATTACH PLUG OR ADAPTOR -----	1	J
	S1822-1	RIVET-PLASTIC -----	1	J
	1270682-1	PLUG -----	1	K
	S1959-1	INSERT -----	4	F
	S1959-2	INSERT -----	1	F
-50	A8002	SWITCH-MICROPHONE CSDC USED WITH 1570149-201 -----	1	J
	1560110-1	ADAPTOR-MIKE SWITCH USED WITH A8002 SWITCH -----	1	J
-50A	S1985-1	SWITCH-MICROPHONE USED WITH 1570149-202 -----	1	K
-51	8409	CABLE-MIKE SWITCH OR MAP LIGHT BDN -----	1	F
	1570142-2	CIRCUIT BOARD ASSEMBLY-MAP LIGHT INCLUDES LAMP -----	1	F
	1570150-1	SHIELD-MAP LIGHT -----	1	F
		ATTACHING PARTS		
	AN515-2R10	SCREW -----	4	F
		*-----		
		INSIGNA ASSEMBLY-CONTROL WHEEL SEE FIG 2, 2A, 2B & 2C -----	2	
		A---SERIAL 18051446 & ON SERIAL 185-0777 & ON		
		B---SERIAL 18051446 THRU 18051774 SERIAL 185-0777 THRU 185-1149		
		C---SERIAL 18051775 THRU 18052284 SERIAL 185-1150 THRU 18502090		
		D---SERIAL 18051775 THRU 18052179 SERIAL 185-1150 THRU 18501843		
		E---SERIAL 18051775 THRU 18051875 SERIAL 185-1150 THRU 185-1300		
		F---SERIAL 18051876 THRU 18052284 SERIAL 185-1301 THRU 18502090		
		G---SERIAL 18052090 THRU 18052284 SERIAL 185-1571 THRU 18502090		
		H---SERIAL 18052180 THRU 18052284 SERIAL 18501844 THRU 18502090		
		J---SERIAL 18051876 THRU 18052196 SERIAL 185-1301 THRU 18501889		
		K---SERIAL 18052197 THRU 18052284 SERIAL 18501890 THRU 18502090		
		L---SERIAL 18052285 & ON SERIAL 18502091 & ON		

Flight Controls (Cont)



SERIAL 18502091 & ON
SERIAL 18052285 & ON

Figure 94B. Control Wheel & Switches Installation

FIGURE AND INDEX NO.	PART NUMBER	DESCRIPTION	UNITS PER ASSY	USABLE ON CODE
948-		1 2 3 4 5 6 7		
- 1	0760019-7 0760019-5	CONTROL WHEEL & SWITCHES INSTALLATION ----- CONTROL WHEEL ASSEMBLY-PADDED PILOT -----	NP 1 1	A
- 2	0760016-1	CONTROL WHEEL ASSEMBLY-PADDED CO-PILOT ----- PLATE -----	1	
- 3	NAS221-9	ATTACHING PARTS SCREW -----	6	
		*-----		
	MS21209F1-20	INSERT -----	6	
- 4	0760018-1	PAD-CONTROL WHEEL -----		
- 5	351-11-05-001	TERMINAL BLOCK PILOT ONLY CIN -----	1	
- 6	0760017-3	ADAPTER -----	1	
		ATTACHING PARTS		
- 7	NAS221-11	SCREW -----	4	
- 8	MS21044N3	NUT -----	4	
		*-----		
- 9	1270682-1	PLUG PILOT ONLY -----	1	
-10	S1981-1	SWITCH-MIKE -----	1	
-11	1270683-1	INSULATOR -----	1	
-12	351-11-05-001	TERMINAL BLOCK CIN -----	1	
		ATTACHING PARTS		
-13	AN515-4R10	SCREW -----	2	
	AN936A4	WASHER -----	2	
	AN340-4	NUT -----	2	
	NAS43DD0-6	SPACER -----	2	
		*-----		
-14	MS35489-33S	GROMMET -----	1	
-15	K375-125	BUSHING-SNUB HEMA -----	1	
-16	SEE FIG	SPLICE PLATE-SHOCK PANEL -----	1	
-17	8409	CABLE-RETRACTILE BDN -----	1	
		ATTACHING PARTS		
-18	S1155-3	CLAMP -----	2	
-19	AN515-8R8	SCREW -----	1	
-20	AN515-8R6	SCREW -----	1	
-21	AN340-8	NUT -----	2	
	AN936A8	WASHER -----	1	
		*-----		
-22	S2093-1	COVER -----	1	
-23	3859A281-251A	RHEOSTAT BITD -----	1	
-24	4157-001	SOCKET DMC -----	1	
-25	12RB	LAMP -----	1	
-26	0760023-1	BRACKET-SOCKET -----	1	
-27	0705028-1	PLACARD -----	1	
		*-----		
		A---SERIAL 18502091 & ON SERIAL 18052285 & ON		

Flight Controls (Cont)

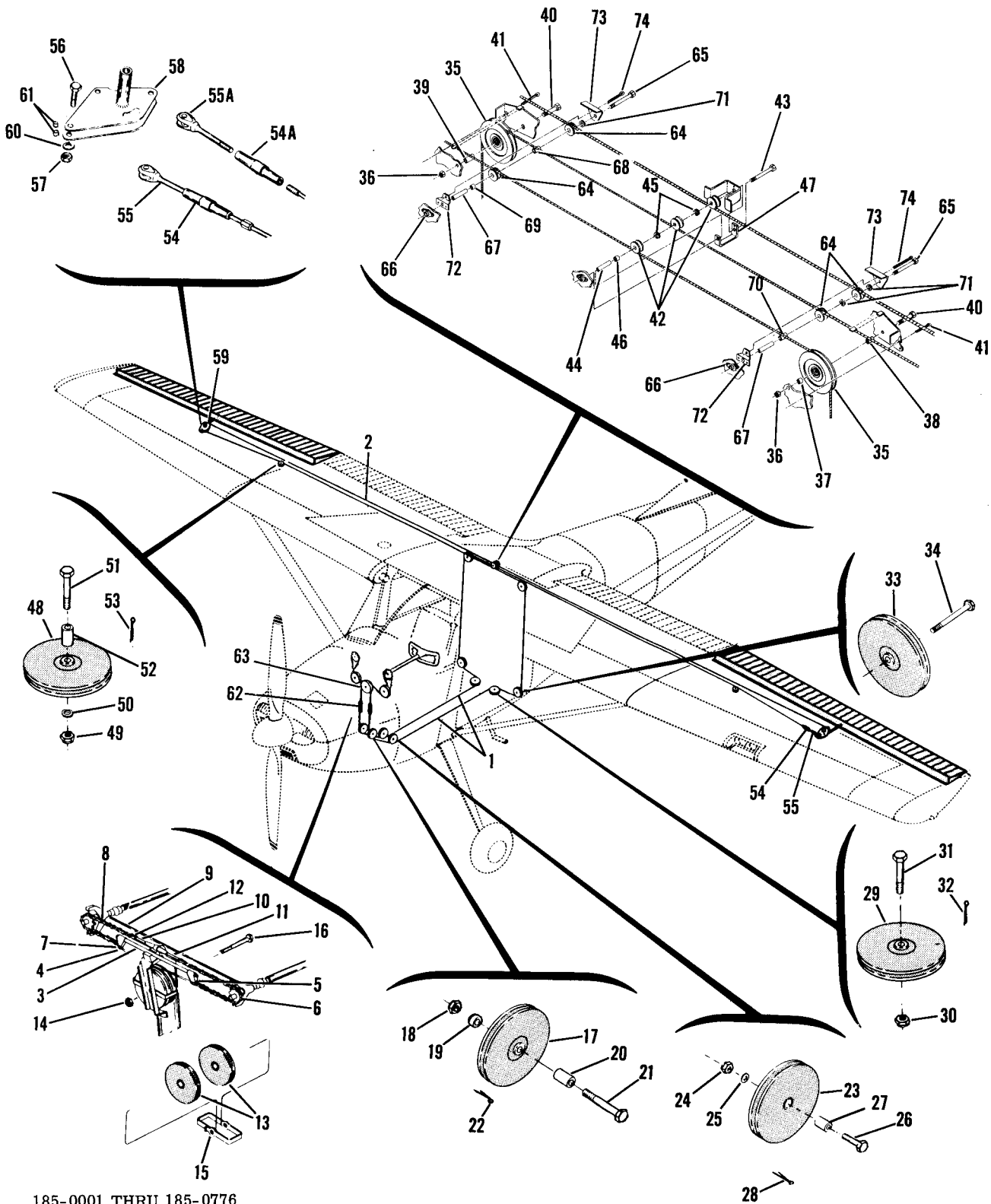


Figure 95. Aileron Control System Installation



FIGURE AND INDEX NO.	PART NUMBER	DESCRIPTION	UNITS PER ASSY	USABLE ON CODE
95 -		AILERON CONTROL SYSTEM INSTALLATION -----	NP	
- 1	0510105-16	CABLE-AILERON DIRECT -----	2	C
	0510105-116	CABLE-AILERON DIRECT STAINLESS STEEL -----	2	C
	0510105-222	CABLE-AILERON DIRECT -----	2	D
	0510105-322	CABLE-AILERON DIRECT STAINLESS STEEL -----	2	D
- 2	0510105-13	CABLE-AILERON CARRY THRU -----	1	
	0510105-113	CABLE-AILERON CARRY THRU STAINLESS STEEL -----	1	
- 3	0411880	BAR ASSEMBLY-AILERON CARRY THRU -----	1	C
- 4	0411881	TUBE ASSEMBLY-AILERON CARRY THRU -----	1	C
		ATTACHING PARTS		
- 5	NAS679A4	NUT -----	1	C
		---*---		
- 6	0411051	CHAIN ASSEMBLY -----	1	C
		ATTACHING PARTS		
- 7	AN21-13	BOLT -----	2	C
	AN320-1	NUT -----	2	C
	MS24665-5	PIN-COTTER -----	2	C
		---*---		
- 8	C411051-4	CHAIN-AILERON CONTROL -----	2	C
- 9	AN155B32S	BARREL-TURNBUCKLE -----	1	C
-10	NAS288-35LH	TERMINAL -----	1	C
-11	NAS228-35RH	TERMINAL -----	1	C
-12	MS20392-1C13	PIN-CLEVIS -----	2	C
	MS24665-132	PIN-COTTER -----	2	C
-13	S378-4	PULLEY -----	2	C
		ATTACHING PARTS		
-14	NAS679A4	NUT -----	1	C
-15	0411232	GUARD-CABLE -----	1	C
-16	AN4-33A	BOLT -----	1	C
		---*---		
-17	S378-4	PULLEY -----	2	
		ATTACHING PARTS		
-18	NAS679A4	NUT -----	1	
-19	0510136	SPACER -----	1	
-20	0510137	SPACER -----	1	
-21	AN4-21A	BOLT -----	1	
		---*---		
-22	MS20392-1C57	PIN -----	2	
	MS24665-132	PIN-COTTER -----	2	
-23	S378-4	PULLEY -----	2	
		ATTACHING PARTS		
-24	NAS679A4	NUT -----	1	
-25	AN960-416L	WASHER -----	2	
-26	AN4-14A	BOLT -----	1	
-27	0411489	BUSHING-PULLEY -----	1	B
		---*---		
-28	MS24665-355	PIN-COTTER -----	2	
-29	S378-4	PULLEY -----	2	
		ATTACHING PARTS		
-30	NAS679A4	NUT -----	1	
-31	AN4-10A	BOLT -----	1	
		---*---		

CONTINUED ON NEXT PAGE

FIGURE AND INDEX NO.	PART NUMBER	DESCRIPTION	UNITS PER ASSY	USABLE ON CODE		
					1	2
95 -32	MS24665-140	PIN-COTTER -----	2			
-33	S378-4	PULLEY -----	2			
		ATTACHING PARTS				
-34	AN4-21A	BOLT -----	1			
		*-----				
-35	S378-4	PULLEY -----	2			
		ATTACHING PARTS				
-36	NAS679A4	NUT -----	1			
-37	NAS43HT4-16	SPACER LH ONLY -----	1			
-38	NAS43HT4-28	SPACER LH ONLY -----	1			
-39	NAS43HT4-20	SPACER RH ONLY -----	1	A		
	NAS43HT4-42	SPACER RH ONLY -----	1	B		
-40	AN4-16A	BOLT -----	1			
		*-----				
-41	MS24665-140	PIN-COTTER -----	2			
-42	S394	PULLEY -----	3			
		ATTACHING PARTS				
-43	AN3-21A	BOLT -----	1			
-44	0512138	BUSHING -----	1			
-45	AN960-416	WASHER -----	1			
-46	NAS43HT4-12	SPACER -----	2			
-47	0512136	GUARD-CABLE -----	1			
		*-----				
-48	S378-3L	PULLEY -----	2			
		ATTACHING PARTS				
-49	NAS679A4	NUT -----	1			
-50	AN960-416L	WASHER -----	1			
-51	AN4-10A	BOLT -----	1			
-52	NAS382-2	BUSHING -----	1	B		
		*-----				
-53	MS24665-134	PIN-COTTER -----	2			
-54	AN155B32L	BARREL-TURNBUCKLE -----	2	C		
-54A	AN155B32L	BARREL-TURNBUCKLE R H WING ONLY -----	1	D		
-55	AN161-32LL	FORK -----	2	C		
-55A	AN161-32LL	FORK RH WING ONLY -----	1	D		
-56	AN3-7A	BOLT -----	4			
-57	MS21044N3	NUT -----	4			
-58	0523223-1	BELLCRANK ASSEMBLY-AILFRON RH SEE FIGURE 14 -----	1			
	0523223	BELLCRANK ASSEMBLY-AILERON LH SEE FIGURE 14 -----	1			
-59	0523218	ROD ASSEMBLY-AILERON PUSH PULL SEE FIGURE 14 -----	2			
-60	AN960-10L	WASHER -----	4			
-61	NAS43HT4-10	SPACER LH WING ONLY -----	2	E		
	NAS43HT4-10	SPACER LH WING -----	4	D		
	NAS43HT4-10	SPACER RH WING -----	2	D		
-62	AN155B32L	BARREL -----	2	D		
-63	0560006-1	CONTROL YOKE ASSEMBLY SEE FIGURE 94A -----	1	D		
-64	S394	PULLEY -----	4	F		
		ATTACHING PARTS				
-65	AN3-21A	BOLT -----	1			
-66	NAS680A3	NUTPLATE -----	1			
-67	0512138	BUSHING -----	1			
-68	NAS43HT4-24	SPACER RH ONLY -----	1			
-69	NAS43HT4-20	SPACER RH ONLY -----	1			
-70	NAS43HT4-40	SPACER LH ONLY -----	1			
-71	AN960-416	WASHER RH ONLY -----	2			
	AN960-416	WASHER LH ONLY -----	1			
		*-----				
-72	0711696-1	BRACKET-AILERON GUIDE PULLEY -----	2	F		
-73	0711696-2	BRACKET-AILERON GUIDE PULLEY -----	2	F		
-74	MS24665-21	PIN-COTTER CABLE GUARD -----	2	F		

A---SERIAL 185-0001 & ON
 B---SERIAL 18051184 & ON
 C---SERIAL 18051184 THRU 18051445
 SERIAL 185-0001 THRU 185-0776
 D---SERIAL 18051446 & ON
 SERIAL 185-0777 & ON
 E---SERIAL 18051402 THRU 18051445
 SERIAL 185-0750 THRU 185-0776
 F---SERIAL 18051608 & ON
 SERIAL 185-0968 & ON

This page intentionally left blank.

FIGURE AND INDEX NO.	PART NUMBER	DESCRIPTION	UNITS PER ASSY	USABLE ON CODE
		1 2 3 4 5 6 7		
95A-		WING LEVELER INSTALLATION -----	NP	A
- 1		VACUUM SYSTEM SEE FIGURE 117D -----	1	
- 2		WING LEVELER COMPONENTS SEE FIGURE 95B -----	1	
- 3	S1071R3	TUBE-RED * IN LG BULK ITEM REF S1071R3-* -----	1	
- 4	S1071G3	TUBE-GREEN * IN LG BULK ITEM REF S1071G3-* -----	1	
- 4A	AN742D6	CLAMP -----	2	
		ATTACHING PARTS -----		
	AN520-10-8	SCREW -----	1	
	S1613-3-75	NUT -----	1	
		---*---		
- 5	S1592-2A	CLAMP -----	12	
	S1021Z6-8	ATTACHING PARTS -----		
		SCREW -----	1	
		---*---		
- 6	S1794-1	FITTING -----	2	
	S1494-6	CLAMP -----	4	
- 7	S1071R3	TUBE-RED * IN LG BULK ITEM REF S1071R3-* -----	1	
- 8	S1071G3	TUBE-GREEN * IN LG BULK ITEM REF S1071G3-* -----	1	
- 9	AN742D6	CLAMP -----	2	
		ATTACHING PARTS -----		
	AN3-4A	BOLT -----	1	
	MS21044N3	NUT -----	1	
		---*---		
-10	0422356-1	MOUNTING BRACKET ASSEMBLY-SERVO LH -----	1	
	0422356-2	MOUNTING BRACKET ASSEMBLY-SERVO RH -----	1	
		ATTACHING PARTS -----		
	AN515-8R8	SCREW -----	3	
		---*---		
	NAS69808	NUTPLATE -----	3	
-11	1220-1-0	SERVO ASSEMBLY-AILERON BTID -----	2	
		ATTACHING PARTS -----		
-12	AN970-5	WASHER -----	1	
-13	NAS679A5	NUT -----	1	
		---*---		
-14	0422358-1	CABLE ASSEMBLY-AILERON SERVO -----	2	
-15	0422357-1	BRACKET-PULLEY -----	2	
-16	S1710-1	PULLEY -----	2	
		ATTACHING PARTS -----		
-17	AN3-10A	BOLT -----	1	
-18	0411783-1	BUSHING -----	1	
-19	AN960-10	WASHER -----	2	
-20	MS21044N3	NUT -----	1	
		---*---		
-21	S8S	CONNECTOR PEUN -----	2	
-22	0413416-4	SPRING -----	2	
-23	AN742D2	CLAMP -----	2	
		ATTACHING PARTS -----		
	AN515-10R6	SCREW -----	1	
	MS21044N3	NUT -----	1	
		---*---		
NOTE. *LENGTH TO BE DETERMINED LATER.				
A---SERIAL 185-1301 & ON SERIAL 18051876 & ON				

FIGURE AND INDEX NO.	PART NUMBER	DESCRIPTION	UNITS PER ASSY	USABLE ON CODE
95B-		1 2 3 4 5 6 7		
- 1	2904-1 604-200-200	WING LEVELER COMPONENTS USED WITHOUT GYROS INDICATOR-TURN COORDINATOR BTID WEU 604-200-200 INDICATOR-TURN COORDINATOR BTID	NP 1 1	A B C
	AN515B6R16 AN340B6 AN936A6B	ATTACHING PARTS SCREW NUT WASHER	3 3 3	
- 1A	S1800-1	TUBE-* IN LG BULK ITEM REF S1800-1-*	1	
- 2		VALVE-RESTRICTOR	NP	
- 3		INVERTER	NP	
	AN515-8R8 NAS679A08	ATTACHING PARTS SCREW NUT	2 2	
- 4	S1800-1	TUBE-* IN LG BULK ITEM REF S1800-1-*	2	
- 5	S1800-1	TUBE-* IN LG BULK ITEM REF S1800-1-*	1	
- 6	S1794-1	FITTING	2	
- 7	S1793-1	TEE	2	
- 8	S1494-6	CLAMP	4	
- 9	S1071R3	TUBE-RED * IN LG BULK ITEM REF S1071R3-*	1	
-10	S1071G3	TUBE-GREEN * IN LG BULK ITEM REF S1071G3-*	1	
-11	S1800-1	TUBE-* IN LG BULK ITEM REF S1800-1-*	1	
-12	S1800-1	TUBE-* IN LG BULK ITEM REF S1800-1-*	1	
-13	S1800-1	TUBE-* IN LG BULK ITEM REF S1800-1-*	1	
-14	S1800-1	TUBE-* IN LG BULK ITEM REF S1800-1-*	1	
-15	S1800-1	TUBE-* IN LG BULK ITEM REF S1800-1-*	1	
-16	S1495-4	HOSE-* IN LG BULK ITEM REF S1499-4J-*	1	
-17	S1495-4	HOSE-* IN LG BULK ITEM REF S1499-4J-*	1	
-18	S1494-7	CLAMP	2	
-19	S1800-1	TUBE-* IN LG BULK ITEM REF S1800-1-*	1	
-20	S1791-1	VALVE-WING LEVELER	1	
	0713026-6	ATTACHING PARTS NUT	1	
-21	S1760-1	KNOB	1	
-22	C482001-0101	VALVE-RELIEF	1	
-23	AN912-2D	BUSHING	1	
-24	S1802-2	CONNECTOR	1	
-25	S1801-1	TEE	1	
-26	S1497-4	FITTING-SOCKETLESS	2	
-27	AN816-4D	NIPPLE	2	
-28	S1414N1	GAGE-SUCTION WEU C668540-0101	1	B
	C668540-0101	GAGE-SUCTION	1	C
	AN515B632R12	ATTACHING PARTS SCREW	4	
-29	1713039-1	FITTING	2	
-30	C294501-0101	FILTER ASSEMBLY-AIR SEE FIGURE 117C	1	
-31	2904-1 604-200-200	WING LEVELER COMPONENTS USED WITH GYROS INDICATOR-TURN COORDINATOR BTID WEU 604-200-200 INDICATOR-TURN COORDINATOR BTID	NP 1 1	A B C
	AN515B6R16 AN340B6 AN936A6B	ATTACHING PARTS SCREW NUT WASHER	3 3 3	
-31A	S1800-1	TUBE-* IN LG BULK ITEM REF S1800-1-*	1	
-32		VALVE-RESTRICTOR	NP	
-33		INVERTER	NP	
	AN515-8R8 NAS679A08	ATTACHING PARTS SCREW NUT	2 2	
-34	S1800-1	TUBE-* IN LG BULK ITEM REF S1800-1-*	2	
-35	S1794-1	FITTING	2	
-36	S1494-6	CLAMP	4	

CONTINUED ON NEXT PAGE

FIGURE AND INDEX NO.	PART NUMBER	DESCRIPTION							UNITS PER ASSY	USABLE ON CODE
		1	2	3	4	5	6	7		
95B-37	S1071R3	TUBE-RED	*	IN LG	BULK ITEM	REF S1071R3-*	-----	1		
-38	S1071G3	TUBE-GREEN	*	IN LG	BULK ITEM	REF S1071G3-*	-----	1		
-39	S1800-1	TUBE-* IN LG			BULK ITEM	REF S1800-1-*	-----	1		
-40	S1793-1	TEE					-----	1		
-41	S1800-1	TUBE-* IN LG			BULK ITEM	REF S1800-1-*	-----	1		
-42	S1791-1	VALVE-WING LEVELER					-----	1		
	0713026-6	ATTACHING PARTS								
		NUT					-----	1		
		*-----								
-43	S1760-1	KNOB					-----	1		
-44	S1800-1	TUBE-* IN LG			BULK ITEM	REF S1800-1-*	-----	1		
-45	S1800-1	TUBE-* IN LG			BULK ITEM	REF S1800-1-*	-----	1		
-46	S1793-2	TEE					-----	3		
-47	S1494-9	CLAMP					-----	6		
-48	S1495-6	HOSE-* IN LG			BULK ITEM	REF S1499-6L-*	-----	1		
-49	S1495-6	HOSE-* IN LG			BULK ITEM	REF S1499-6L-*	-----	1		
-50	S1497-6	FITTING-SOCKETLESS					-----	6		
-51	S1800-1	TUBE-* IN LG			BULK ITEM	REF S1800-1-*	-----	1		
-52	S1800-1	TUBE-* IN LG			BULK ITEM	REF S1800-1-*	-----	1		
-53	S1794-1	FITTING					-----	1		
-54	S1800-1	TUBE-* IN LG			BULK ITEM	REF S1800-1-*	-----	1		
-55	S1495-6	HOSE-* IN LG			BULK ITEM	REF S1499-6L-*	-----	1		
-56	S1495-6	HOSE-* IN LG			BULK ITEM	REF S1499-6L-*	-----	1		
-57	C294501-0101	FILTER ASSEMBLY-AIR				SEE FIGURE 117C	-----	1		
		NOTE. *LENGTH TO BE DETERMINED LATER								
		NOTE. †INVERTER, RESTRICTOR VALVE & TURN COORDINATOR MUST BE ORDERED AS A MATCHED SET.								
		A---SERIAL 185-1301 & ON SERIAL 18051876 & ON								
		B---SERIAL 185-1301 THRU 18501934 SERIAL 18051876 THRU 18052221								
		C---SERIAL 18501935 & ON SERIAL 18052222 & ON								

FIGURE AND INDEX NO.	PART NUMBER	DESCRIPTION	UNITS PER ASSY	USABLE ON CODE
		1 2 3 4 5 6 7		
96 -		ELEVATOR CONTROL SYSTEM INSTALLATION -----	NP	
- 1	0510159	BELLCRANK-ELEVATOR FORWARD -----	1	
		ATTACHING PARTS		
- 2	AN4-10A	BOLT -----	1	
- 3	NAS679A4	NUT -----	1	
		-----*		
- 4	0510161	TUBE ASSEMBLY-BELLCRANK TO CONTROL TEE -----	1	B
	0760005-1	TUBE ASSEMBLY-BELLCRANK TO CONTROL YOKE -----	1	C
		ATTACHING PARTS		
- 5	AN4-10A	BOLT -----	2	
- 6	AN960-416	WASHER -----	2	
- 7	NAS679A4	NUT -----	2	
		-----*		
CONTINUED ON NEXT PAGE				

Flight Controls (Cont)

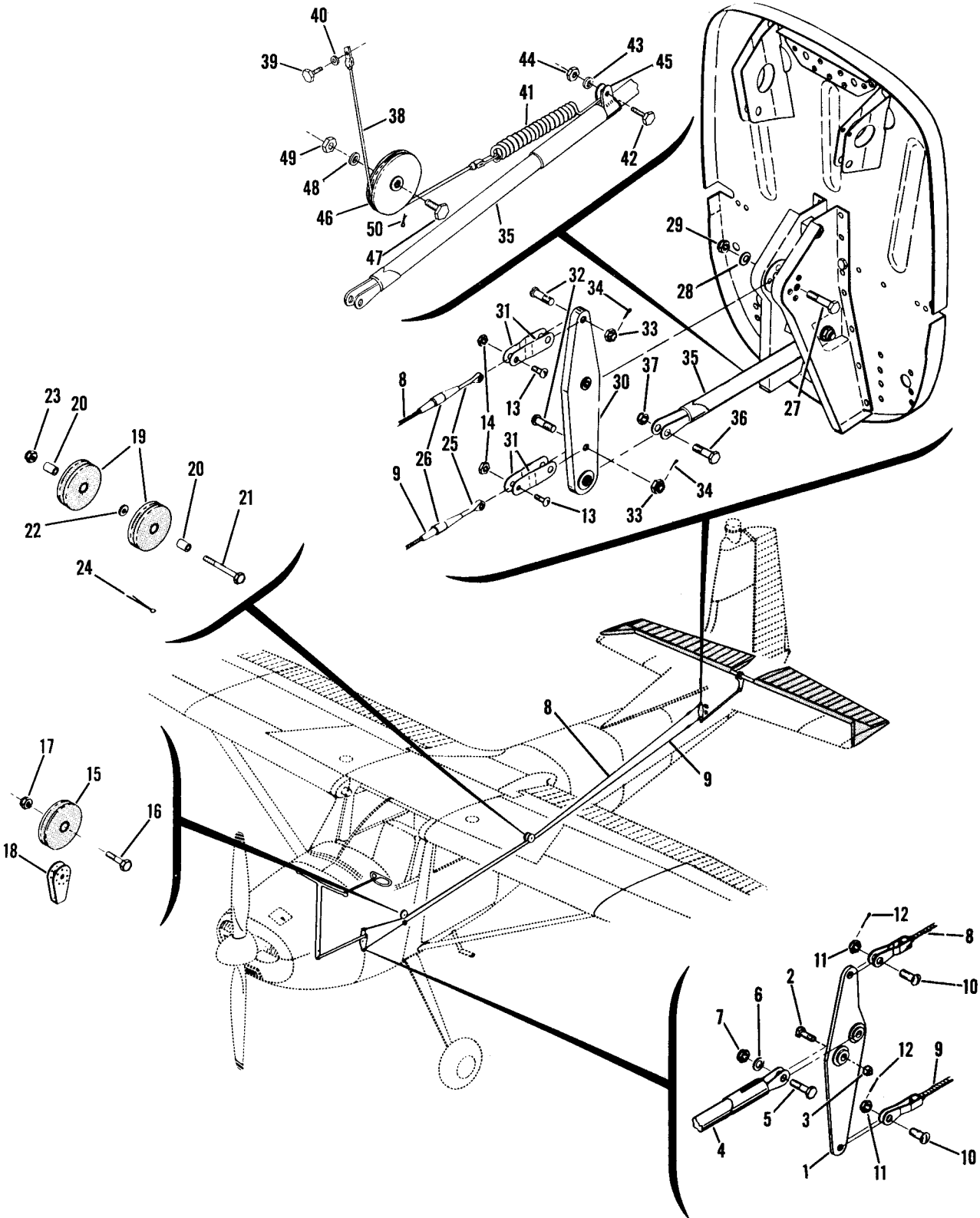


Figure 96. Elevator Control System Installation

FIGURE AND INDEX NO.	PART NUMBER	DESCRIPTION	UNITS PER ASSY	USABLE ON CODE
96 - 8	0510105-24	CABLE-ELEVATOR CONTROL UPPER -----	1	
	0510105-124	CABLE-ELEVATOR CONTROL UPPER STAINLESS STEEL -----	1	
- 9	0510105-25	CABLE-ELEVATOR CONTROL LOWER -----	1	
	0510105-125	CABLE-ELEVATOR CONTROL LOWER STAINLESS STEEL -----	1	
		ATTACHING PARTS		
-10	AN23-10	BOLT -----	2	
-11	AN310-3	NUT -----	2	
-12	MS24665-134	PIN-COTTER -----	2	
-13	AN23-10	BOLT -----	2	
-14	AN310-3	NUT -----	2	
	MS24665-132	PIN-COTTER -----	2	
		*-----		
-15	S378-3L	PULLEY-CABLE -----	1	
		ATTACHING PARTS		
-16	AN4-10A	BOLT -----	1	
-17	NAS679A4	NUT -----	1	
		*-----		
-18	0411421-2	GUARD-CABLE -----	1	
-19	S378-3L	PULLEY-CABLE -----	2	
		ATTACHING PARTS		
-20	0411489	BUSHING -----	1	A
-21	AN4-14A	BOLT -----	1	
-22	AN960-416	WASHER -----	1	
-23	NAS679A4	NUT -----	1	
-24	MS24665-140	PIN-COTTER -----	1	
		*-----		
-25	AN165-22RS	EYE -----	2	
-26	AN155B32S 0761202	BARREL-TURNBUCKLE ----- BELLCRANK ASSEMBLY-ELEVATOR REAR -----	2 1	
		ATTACHING PARTS		
-27	AN4-12A	BOLT -----	1	
-28	AN960-416	WASHER -----	1	
-29	NAS679A4	NUT -----	1	
		*-----		
-30	0761202-50	BELLCRANK ASSEMBLY-ELEVATOR REAR -----	1	
-31	0761202-2	LINK -----	4	
		ATTACHING PARTS		
-32	AN24-13	BOLT -----	1	
-33	AN310-4	NUT -----	1	
-34	MS24665-134	PIN-COTTER -----	1	
		*-----		
-35	0510111-10	TUBE-BELLCRANK TO ELEVATOR PYLON -----	1	
		ATTACHING PARTS		
-36	AN4-10A	BOLT -----	2	
-37	NAS679A4	NUT -----	2	
		*-----		
-38	0510105-82 0510105-182	CABLE-ELEVATOR TRIM ----- CABLE-ELEVATOR TRIM STAINLESS STEEL -----	1 1	
		ATTACHING PARTS		
-39	AN3-4A	BOLT -----	1	
-40	AN960-10 NAS680A3	WASHER ----- NUTPLATE -----	1 1	
-41	1260016-1	SPRING -----	1	
-42	AN4-6A	BOLT -----	2	
-43	AN960-416	WASHER -----	4	
-44	NAS679A4	NUT -----	2	
-45	AN741T5	CLAMP -----	2	
		*-----		
-46	S378-2	PULLEY -----	1	
		ATTACHING PARTS		
-47	AN3-6A	BOLT -----	1	
-48	AN960-10	WASHER -----	1	
-49	MS21044N3	NUT -----	1	
		*-----		
-50	MS24665-134	PIN-COTTER -----	2	
		*-----		
		A---SERIAL 18051184 THRU 18051312		
		B---SERIAL 18051184 THRU 18051445		
		SERIAL 185-0001 THRU 185-0776		
		C---SERIAL 18051446 & ON		
		SERIAL 185-0777 & ON		

Flight Controls (Cont)

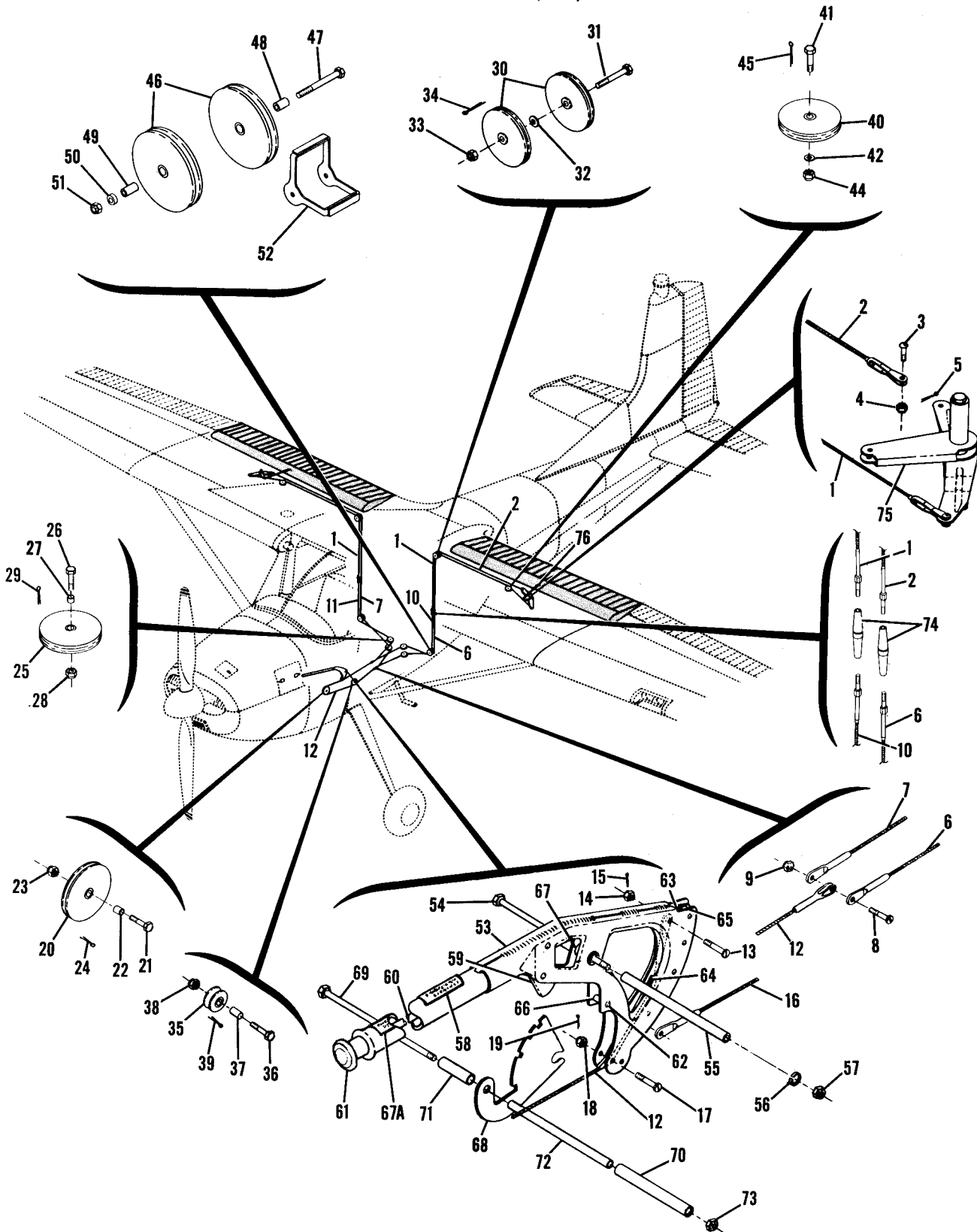


Figure 97. Flap Control System Installation

FIGURE AND INDEX NO.	PART NUMBER	DESCRIPTION	UNITS PER ASSY	USABLE ON CODE
97 -		FLAP CONTROL SYSTEM INSTALLATION -----	NP	
- 1	0510105-59	CABLE-FLAP DIRECT OUTBOARD -----	2	C
	0510105-159	CABLE-FLAP DIRECT OUTBOARD STAINLESS STEEL -----	2	C
	0510105-225	CABLE-FLAP DIRECT OUTBOARD -----	2	D
	0510105-325	CABLE-FLAP DIRECT OUTBOARD STAINLESS STEEL -----	2	D
- 2	0510105-60	CABLE-FLAP RETURN OUTBOARD -----	2	
	0510105-160	CABLE-FLAP RETURN OUTBOARD STAINLESS STEEL -----	2	
		ATTACHING PARTS		
- 3	AN23-9	BOLT -----	1	
- 4	AN310-3	NUT -----	1	
- 5	MS24665-134	PIN-COTTER -----	1	
		-----*		
- 6	0510105-63	CABLE-FLAP RETURN INBOARD LH -----	1	
	0510105-163	CABLE-FLAP RETURN INBOARD LH STAINLESS STEEL -----	1	
- 7	0510105-64	CABLE-FLAP RETURN INBOARD RH -----	1	
	0510105-164	CABLE-FLAP RETURN INBOARD RH STAINLESS STEEL -----	1	
		ATTACHING PARTS		
- 8	AN23-12	BOLT -----	1	
- 9	AN310-3	NUT -----	1	
		-----*		
-10	0510105-61	CABLE-FLAP DIRECT INBOARD LH -----	1	C
	0510105-161	CABLE-FLAP DIRECT INBOARD LH STAINLESS STEEL -----	1	C
	0510105-227	CABLE-FLAP DIRECT INBOARD LH -----	1	D
	0510105-327	CABLE-FLAP DIRECT INBOARD LH STAINLESS STEEL -----	1	D
-11	0510105-62	CABLE-FLAP DIRECT INBOARD RH -----	1	C
	0510105-162	CABLE-FLAP DIRECT INBOARD RH STAINLESS STEEL -----	1	C
	0510105-226	CABLE-FLAP DIRECT INBOARD RH -----	1	D
	0510105-326	CABLE-FLAP DIRECT INBOARD RH STAINLESS STEEL -----	1	D
		ATTACHING PARTS		
	AN23-12	BOLT -----	1	
	AN310-3	NUT -----	1	
		-----*		
-12	0510105-21	CABLE-FLAP RETURN FORWARD -----	1	
	0510105-121	CABLE-FLAP RETURN FORWARD STAINLESS STEEL -----	1	
		ATTACHING PARTS		
-13	AN23-16	BOLT -----	1	
-14	AN310-3	NUT -----	1	
-15	MS24665-134	PIN-COTTER -----	1	
		-----*		
-16	0510105-22	CABLE-FLAP DIRECT FORWARD -----	1	
	0510105-122	CABLE-FLAP DIRECT FORWARD STAINLESS STEEL -----	1	
		ATTACHING PARTS		
-17	AN23-16	BOLT -----	1	
-18	AN310-3	NUT -----	1	
-19	MS24665-134	PIN-COTTER -----	1	
		-----*		
-20	S378-2	PULLEY -----	1	
		ATTACHING PARTS		
-21	AN3-6A	BOLT -----	1	
-22	NAS382-1	BUSHING -----	1	A
-23	MS21044N3	NUT -----	1	
		-----*		
-24	MS24665-134	PIN-COTTER -----	1	
-25	S378-2	PULLEY -----	4	
		ATTACHING PARTS		
-26	AN3-6A	BOLT -----	1	
-27	NAS382-1	BUSHING -----	1	A
-28	MS21044N3	NUT -----	1	
		-----*		
-29	MS24665-132	PIN-COTTER -----	4	
-30	S378-2	PULLEY -----	4	
		ATTACHING PARTS		
-31	AN3-10A	BOLT -----	1	
-32	AN960-416	WASHER -----	1	
-33	MS21044N3	NUT -----	1	
		-----*		
-34	MS24665-136	PIN-COTTER -----	2	
-35	S394	PULLEY -----	1	
		ATTACHING PARTS		
-36	AN3-6A	BOLT -----	1	
-37	0411783	BUSHING -----	1	
-38	MS21044N3	NUT -----	1	
		-----*		

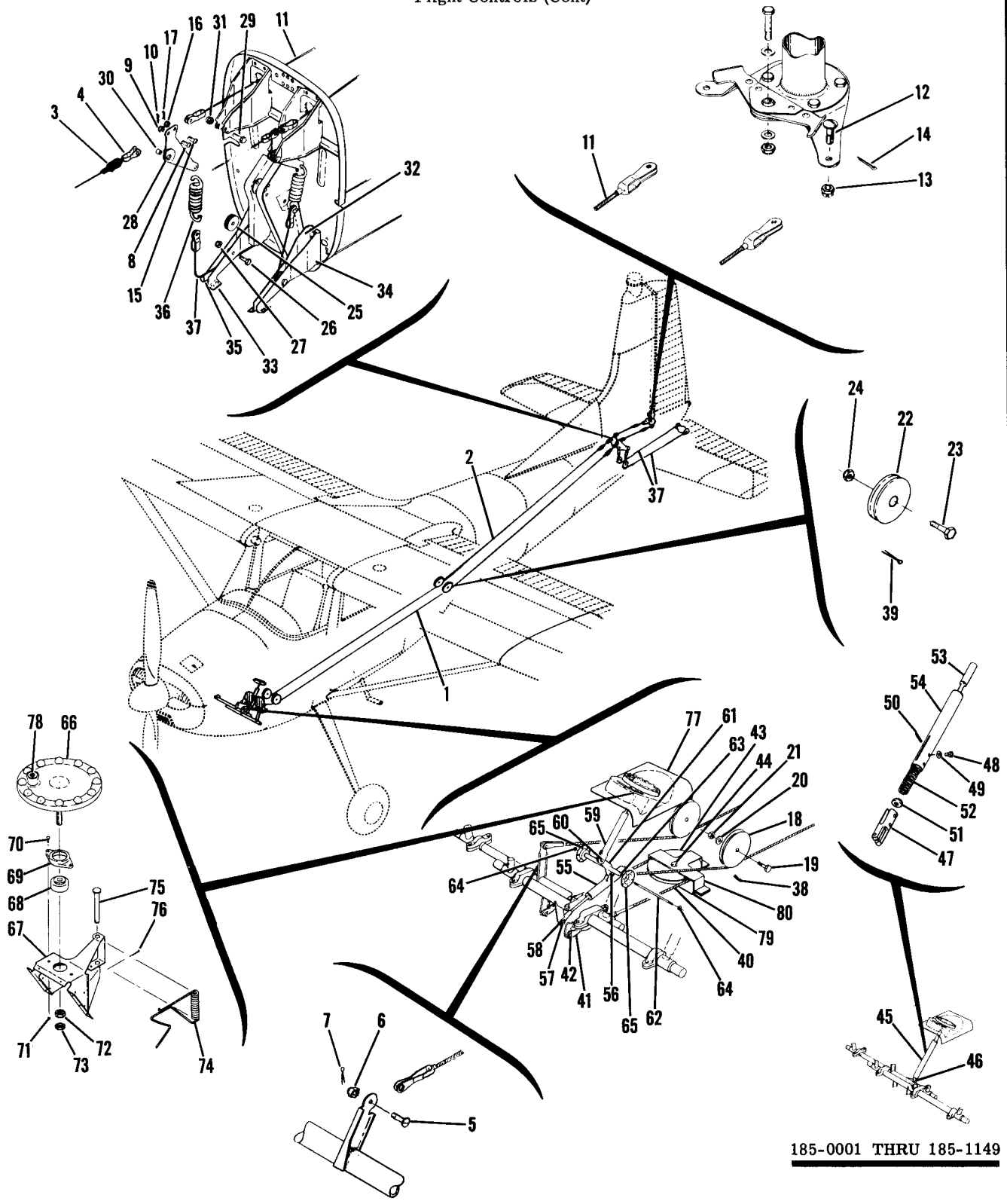
CONTINUED ON NEXT PAGE



FIGURE AND INDEX NO.	PART NUMBER	DESCRIPTION	UNITS PER ASSY	USABLE ON CODE
98 -		RUDDER CONTROL SYSTEM INSTALLATION -----	NP	A
- 1	0510105-51	CABLE-FORWARD RUDDER CONTROL LH -----	1	
	0510105-151	CABLE-FORWARD RUDDER CONTROL LH STAINLESS STEEL -----	1	
- 2	0510105-71	CABLE-FORWARD RUDDER CONTROL RH -----	1	
	0510105-171	CABLE-FORWARD RUDDER CONTROL RH STAINLESS STEEL -----	1	
- 3	AN155832S	BARREL-CABLE -----	2	
- 4	AN161-22RS	FORK-CABLE -----	2	
		ATTACHING PARTS		
- 5	AN23-10	BOLT -----	1	
- 6	AN310-3	NUT -----	1	
- 7	MS24665-134	PIN-COTTER -----	1	
- 8	AN23-11	BOLT -----	1	
- 9	AN310-3	NUT -----	1	
-10	MS24665-132	PIN-COTTER -----	1	
		-----*		
-11	0510105-52	CABLE-AFT RUDDER CONTROL -----	2	
	0510105-152	CABLE-AFT RUDDER CONTROL STAINLESS STEEL -----	2	
		ATTACHING PARTS		
-12	AN23-10	BOLT -----	1	
-13	AN310-3	NUT -----	1	
-14	MS24665-134	PIN-COTTER -----	1	
-15	AN23-11	BOLT -----	1	
-16	AN310-3	NUT -----	1	
-17	MS24665-134	PIN-COTTER -----	1	
		-----*		
-18	S378-4	PULLEY -----	2	
		ATTACHING PARTS		
-19	AN4-14A	BOLT -----	1	
-20	AN960-416L	WASHER -----	1	
-21	NAS679A4	NUT -----	1	
		-----*		
-22	S378-3L	PULLEY -----	2	
		ATTACHING PARTS		
-23	AN4-10A	BOLT -----	1	
-24	NAS679A4	NUT -----	1	
		-----*		
-25	S378-4	PULLEY -----	2	
		ATTACHING PARTS		
-26	AN4-10A	BOLT -----	1	
-27	NAS679A4	NUT -----	1	
		-----*		
-28	0712309-1	BELLCRANK ASSEMBLY-TAIL WHEEL STEERING -----	2	
		ATTACHING PARTS		
-29	AN4-10A	BOLT -----	1	
-30	NAS382-2	BUSHING -----	1	
-31	NAS679A4	NUT -----	1	
		-----*		
-32	0712309-5	BRACKET-INBOARD LH -----	1	
-33	0712309-6	BRACKET-INBOARD RH -----	1	
-34	0712309-7	BRACKET-OUTBOARD LH -----	1	
-35	0712309-8	BRACKET-OUTBOARD RH -----	1	
-36	0310280	SPRING-TAILWHEEL STEERING -----	2	
-37	0510105-196	CABLE-TAILWHEEL STEERING -----	2	B
	0510105-199	CABLE-TAILWHEEL STEERING -----	2	C
	0510105-323	CABLE-TAILWHEEL STEERING -----	2	D
-38	MS24665-136	PIN-COTTER -----	2	

CONTINUED ON NEXT PAGE

Flight Controls (Cont)



185-0001 THRU 185-1149

SERIAL 185-0001 & ON

Figure 98. Rudder Control System Installation

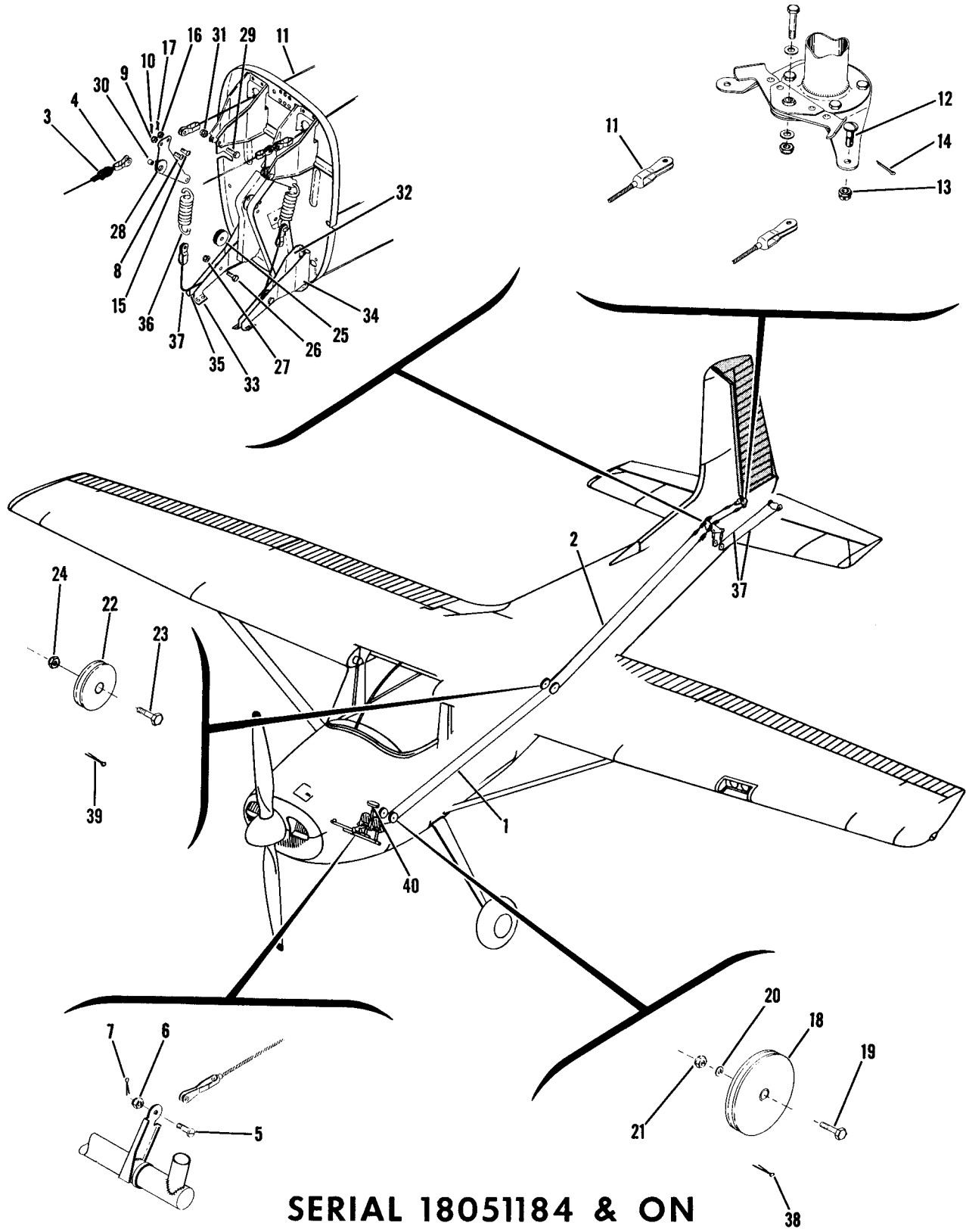
FIGURE AND INDEX NO.	PART NUMBER	DESCRIPTION	UNITS PER ASSY	USABLE ON CODE
		1 2 3 4 5 6 7		
98 -39	MS24665-355	PIN-COTTER -----	1	
		SYSTEM INSTALLATION-RUDDER TRIM -----	NP	
-40	0510105-73	CABLE-FORWARD RUDDER CONTROL -----	1	
	0510105-173	CABLE-FORWARD RUDDER CONTROL STAINLESS STEEL -----	1	
		ATTACHING PARTS -----		
-41	AN161-22RS	FORK-CABLE -----	1	
	AN155B32S	BARREL-CABLE -----	1	
-42	AN23-11	BOLT -----	2	
	AN310-3	NUT -----	2	
	AN960-10L	WASHER -----	2	
	MS24665-134	PIN-COTTER -----	2	
		-----*		
-43	S378-5	PULLEY -----	1	
		ATTACHING PARTS -----		
-44	AN6-11A	BOLT -----	1	
	NAS679A6	NUT -----	1	
		-----*		
-45	0713096-1	BUNGEE ASSEMBLY -----	1	G
	0713096-2	BUNGEE ASSEMBLY USED WITH FLOATS ONLY -----	1	H
		ATTACHING PARTS -----		
-46	AN3-10A	BOLT -----	1	G
	AN960D10	WASHER -----	1	G
	MS21044N3	NUT -----	1	G
		-----*		
-47	0713081-1	CLEVIS -----	1	G
		ATTACHING PARTS -----		
-48	AN502-10-4	SCREW -----	4	G
-49	AN960-10L	WASHER -----	AR	G
		-----*		
-50	NAS561-3-16	ROLL PIN -----	1	G
-51	0713080-1	RETAINER -----	1	G
-52	0713084-2	SPRING -----	1	G
-53	0713085-1	ROD -----	1	G
-54	0713082-1	TUBE -----	1	G
-55	0713849-1	BUNGEE ASSEMBLY -----	1	J
		ATTACHING PARTS -----		
-56	AN23-9	BOLT -----	1	J
-57	AN23-11	BOLT -----	1	J
-58	AN960-10L	WASHER -----	2	J
	AN320-3	NUT -----	2	J
	MS24665-134	PIN-COTTER -----	2	J
		-----*		
-59	0713851-1	LINK ASSEMBLY -----	1	J
		ATTACHING PARTS -----		
-60	MS20392-2C9	PIN -----	1	J
	AN960-10L	WASHER -----	1	J
	MS24665-132	PIN-COTTER -----	1	J
		-----*		
-61	0713851-5	SHAFT ASSEMBLY -----	1	J
		ATTACHING PARTS -----		
-62	0713851-8	TIE ROD -----	1	J
-63	0713851-9	SPACER -----	1	J
-64	MS21044N3	NUT -----	2	J
		-----*		
-65	0713851-10	BRACKET -----	2	J
-66	0713088-3	WHEEL ASSEMBLY -----	1	
-67	0713092-1	BRACKET -----	1	
-68	AN200KS4	BEARING WHEN EXHAUSTED USE 0713868-3 -----	1	L
	0713868-3	BEARING ASSEMBLY INCLUDES COLLAR & SPACER -----	1	M
-69	0713083-1	CAP -----	1	
		ATTACHING PARTS -----		
-70	AN3-4A	BOLT -----	2	
-71	MS21044N3	NUT -----	2	
		-----*		
-72	AN340-416	NUT -----	1	
-73	AN356-420	NUT-LOCK -----	1	
-74	0713095-1	ARM -----	1	
		ATTACHING PARTS -----		
-75	MS20392-2C53	PIN -----	1	
-76	MS24665-132	PIN-COTTER -----	1	
		-----*		

CONTINUED ON NEXT PAGE

FIGURE AND INDEX NO.	PART NUMBER	DESCRIPTION							UNITS PER ASSY	USABLE ON CODE
		1	2	3	4	5	6	7		
98 -77	0713093-2-243								1	E
	0713093-2	□							1	F
	0713257-1	□							1	K
	S102128-10								4	
-78	0713087-1								1	
	AN525-10R6								1	
-79	0713086-1								1	
-80	0713086-2								1	
<p>NOTE. □THIS PART NUMBER MUST HAVE A SECOND DASH NUMBER ADDED TO DENOTE COLOR. REFER TO HOW TO ORDER INTERIOR PARTS-PAGE XIII.</p> <p>A---SERIAL 185-0001 & ON B---SERIAL 185-0001 THRU 185-0237 C---SERIAL 185-0238 THRU 185-0768 D---SERIAL 185-0769 & ON E---SERIAL 185-0001 THRU 185-0776 F---SERIAL 185-0777 THRU 185-1300 G---SERIAL 185-0001 THRU 185-1149 H---SERIAL 185-0001 THRU 185-0967 J---SERIAL 185-0968 & ON FLOAT PLANE ONLY SERIAL 185-1150 & ON K---SERIAL 185-1301 & ON L---SERIAL 185-0001 THRU 185-1425 M---SERIAL 185-1426 & ON</p>										

This page intentionally left blank.

Flight Controls (Cont)



SERIAL 18051184 & ON

Figure 99. Rudder Control System Installation

FIGURE AND INDEX NO.	PART NUMBER	DESCRIPTION	UNITS PER ASSY	USABLE ON CODE
		1 2 3 4 5 6 7		
99 -		RUDDER CONTROL SYSTEM INSTALLATION -----	NP	A
- 1	0510105-51	CABLE-FORWARD RUDDER CONTROL LH -----	1	
	0510105-151	CABLE-FORWARD RUDDER CONTROL LH STAINLESS STEEL -----	1	
- 2	0510105-71	CABLE-FORWARD RUDDER CONTROL RH -----	1	
	0510105-171	CABLE-FORWARD RUDDER CONTROL RH STAINLESS STEEL -----	1	
- 3	AN155832S	BARREL-CABLE -----	2	
- 4	AN61-22RS	FORK-CABLE -----	2	
		ATTACHING PARTS		
- 5	AN23-10	BOLT -----	1	
- 6	AN310-3	NUT -----	1	
- 7	MS24665-134	PIN-COTTER -----	1	
- 8	AN23-11	BOLT -----	1	
- 9	AN310-3	NUT -----	1	
-10	MS24665-132	PIN-COTTER -----	1	
		*-----		
-11	0510105-52	CABLE-AFT RUDDER CONTROL -----	2	
	0510105-152	CABLE-AFT RUDDER CONTROL STAINLESS STEEL -----	2	
		ATTACHING PARTS		
-12	AN24-12	BOLT -----	1	
-13	AN310-4	NUT -----	1	
-14	MS24665-132	PIN-COTTER -----	1	
-15	AN23-11	BOLT -----	1	
-16	AN310-3	NUT -----	1	
-17	MS24665-134	PIN-COTTER -----	1	
		*-----		
-18	S378-4	PULLEY -----	2	
		ATTACHING PARTS		
-19	AN4-14A	BOLT -----	1	
-20	AN960-416L	WASHER -----	1	
-21	NAS679A4	NUT -----	1	
		*-----		
-22	S378-3	PULLEY -----	2	
		ATTACHING PARTS		
-23	AN4-10A	BOLT -----	1	
-24	NAS679A4	NUT -----	1	
		*-----		
-25	S378-4	PULLEY -----	2	
		ATTACHING PARTS		
-26	AN4-10A	BOLT -----	1	
-27	NAS679A4	NUT -----	1	
		*-----		
-28	0712309-1	BELLCRANK ASSEMBLY-TAILWHEEL STEERING -----	2	
		ATTACHING PARTS		
-29	AN4-10A	BOLT -----	1	
-30	NAS382-2	BUSHING -----	1	
-31	NAS679A4	NUT -----	1	
		*-----		
-32	0712309-5	BRACKET-INBOARD LH -----	1	
-33	0712309-6	BRACKET-INBOARD RH -----	1	
-34	0712309-7	BRACKET-OUTBOARD LH -----	1	
-35	0712309-8	BRACKET-OUTBOARD RH -----	1	
-36	0742200-5	SPRING-TAILWHEEL STEERING -----	2	
-37	0510105-153	CABLE-TAILWHEEL STEERING -----	2	B
	0510105-323	CABLE-TAILWHEEL STEERING -----	2	C
-38	MS24665-136	PIN-COTTER -----	2	
-39	MS24665-355	PIN-COTTER -----	1	
-40		RUDDER TRIM INSTL SEE FIGURE 99A -----	1	D

A---SERIAL 18051184 & ON
 B---SERIAL 18051184 THRU 18051410
 C---SERIAL 18051411 & ON
 D---SERIAL 18051994 & ON

FIGURE AND INDEX NO.	PART NUMBER	DESCRIPTION	UNITS PER ASSY	USABLE ON CODE
		1 2 3 4 5 6 7		
99A-		RUDDER TRIM INSTALLATION -----	NP	A
- 1	0510105-73 0510105-173	CABLE-FORWARD RUDDER CONTROL ----- CABLE-FORWARD RUDDER CONTROL STAINLESS STEEL -----	1 1	
		ATTACHING PARTS		
- 2	AN161-22RS AN155B325	FORK-CABLE ----- BARREL-CABLE -----	1 1	
- 3	AN23-11 AN310-3 AN960-10L MS24665-134	BOLT ----- NUT ----- WASHER ----- PIN-COTTER -----	2 2 2 2	
- 4	S378-5	PULLEY ----- ATTACHING PARTS	1	
- 5	AN6-11A NAS679A6	BOLT ----- NUT -----	1 1	
- 6	0713086-1	BRACKET-LOWER -----	1	
- 7	0713086-2	BRACKET-UPPER -----	1	
- 8	0713849-1	BUNGEE ASSEMBLY ----- ATTACHING PARTS	1	
- 9	AN23-9	BOLT -----	1	
-10	AN23-11	BOLT -----	1	
-11	AN960-10L AN320-3 MS24665-134	WASHER ----- NUT ----- PIN-COTTER -----	2 2 2	
-12	0713851-5	SHAFT ASSEMBLY ----- ATTACHING PARTS	1	
-13	0713851-8	TIE ROD -----	1	
-14	0713851-9	SPACER -----	1	
-15	MS21044N3	NUT -----	2	
-16	0713851-10	BRACKET -----	2	
-17	0713851-1	LINK ASSEMBLY ----- ATTACHING PARTS	1	
-18	MS20392-2C9 AN960-10L MS24665-132	PIN ----- WASHER ----- PIN-COTTER -----	1 1 1	
-19	0713088-3	WHEEL ASSEMBLY -----	1	
-20	0713092-1	BRACKET -----	1	
-21	0713868-3	BEARING ASSEMBLY INCLUDES COLLAR & SPACER -----	1	
-22	0713083-1	CAP ----- ATTACHING PARTS	1	
-23	AN3-4A	BOLT -----	2	
-24	MS21044N3	NUT -----	2	
-25	AN340-416	NUT -----	1	
-26	AN356-420	NUT-LOCK -----	1	
-27	0713095-1	ARM ----- ATTACHING PARTS	1	
-28	MS20392-2C53	PIN -----	1	
-29	MS24665-132	PIN-COTTER -----	1	
-30	0713257-1 □	COVER-RUDDER TRIM SYSTEM ----- ATTACHING PARTS	1	
	S1021Z8-10	SCREW -----	4	
-31	0713087-1 AN525-10R6	KNOB ----- ATTACHING PARTS SCREW -----	1 1	
-32		RUDDER CONTROL CABLES INSTALLATION SEE FIGURE 99 -----	NP	
-33		RUDDER PEDAL INSTALLATION SEE FIGURE 92 -----	NP	
<p>NOTE. □ THIS PART NUMBER MUST HAVE A SECOND DASH NUMBER ADDED TO DENOTE COLOR. REFER TO HOW TO ORDER INTERIOR PARTS-PAGE XIII.</p> <p>A---SERIAL 18051994 & ON</p>				

Flight Controls (Cont)

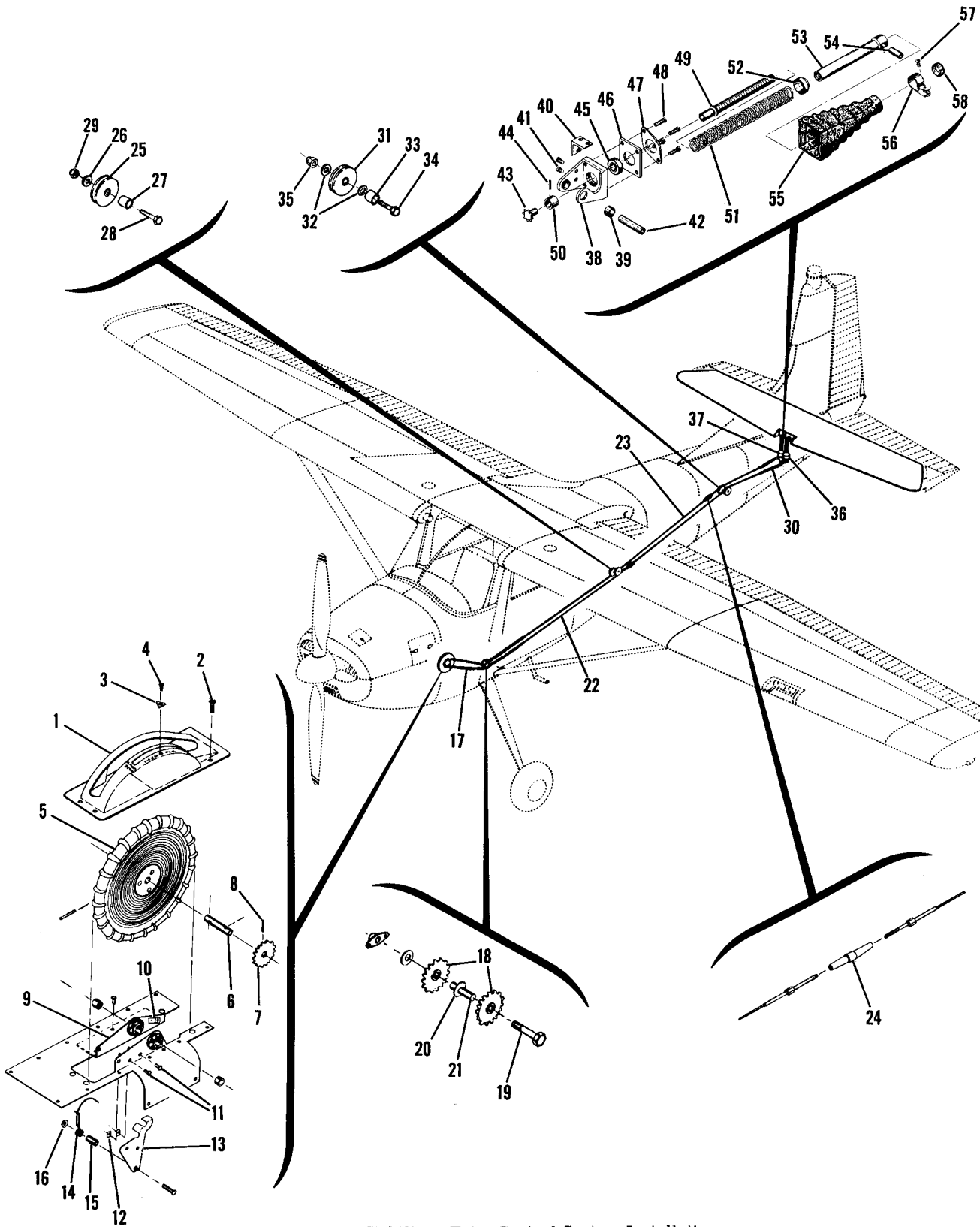


Figure 100. Stabilizer Trim Control System Installation



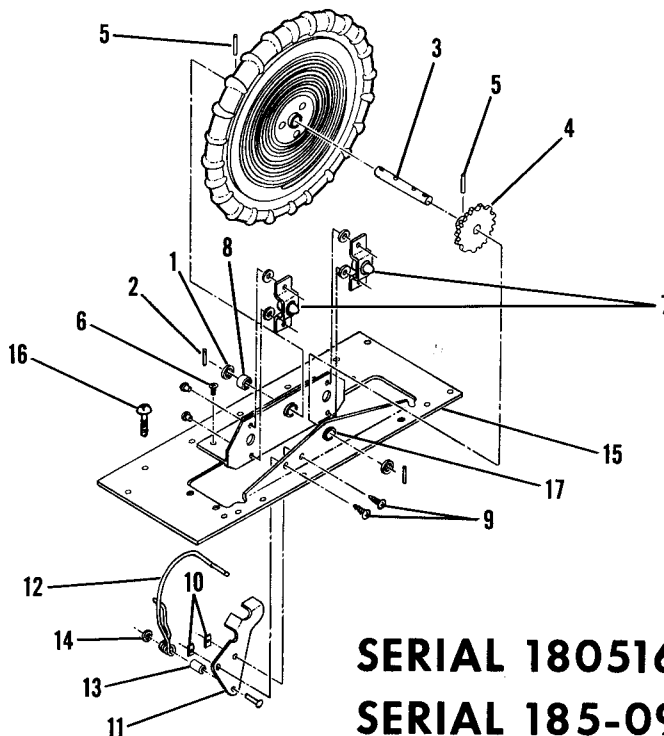
FIGURE AND INDEX NO.	PART NUMBER	DESCRIPTION	UNITS PER ASSY	USABLE ON CODE
100 -		STABILIZER TRIM CONTROL SYSTEM INSTALLATION -----	NP	
- 1	0713025-6	COVER ASSEMBLY-TRIM CONTROL WHEEL -----	1	
		ATTACHING PARTS -----		
- 2	S1021Z6-8	SCREW -----	4	
		-----*		
- 3	0713025-1	POINTER-COVER ASSEMBLY -----	1	
		ATTACHING PARTS -----		
- 4	S1021Z4-4	SCREW -----	1	
		-----*		
- 5	0761205	WHEEL ASSEMBLY-STABILIZER TRIM -----	1	E
- 6	0761205-2	SHAFT-TRIM WHEEL -----	1	E
- 7	0761210-1	SPROCKET-TRIM WHEEL -----	1	E
		ATTACHING PARTS -----		
- 8	0761205-3	ROLL PIN WHEN EXHAUSTED USE NAS561-3-8 -----	2	
	NAS561-3-8	ROLL PIN -----	2	
		-----*		
- 9	0713023-7	TRIM WHEEL INSTALLATION-STABILIZER SEE FIGURE 100A -----	1	D
		BRACKET ASSEMBLY -----	1	B
	0713824-1	BRACKET & LOCK ASSEMBLY -----	1	C
-10	0713023-3	STOP ASSEMBLY -----	2	B
	0713827-1	CATCH ASSEMBLY -----	2	C
	NAS295M4	BEARING -----	1	
	0713032	INDICATOR ASSEMBLY-TRIM CONTROL -----	1	E
		ATTACHING PARTS -----		
-11	S1021Z6-6	SCREW -----	2	E
-12	NAS446-2-3	NUT -----	2	E
		-----*		
-13	0713032-4	GUARD-CHAIN -----	1	E
-14	0713032-3	INDICATOR -----	1	E
-15	0713032-1	BUSHING -----	1	E
-16	0713032-2	COLLAR -----	1	E
-17	0432138-2	CHAIN-STABILIZER TRIM FORWARD -----	1	
-18	0761210-4	SPROCKET ASSEMBLY -----	2	
		ATTACHING PARTS -----		
-19	AN3-12A	BOLT -----	1	
-20	AN960-416	WASHER -----	1	
-21	0411491-1	BUSHING -----	1	
		-----*		
-22	0510105-28	CABLE-STABILIZER TRIM CONTROL FORWARD -----	2	
	0510105-128	CABLE-STABILIZER TRIM CONTROL FORWARD-STAINLESS STEEL -----	2	
-23	0510105-29	CABLE-STABILIZER TRIM CONTROL AFT -----	2	
	0510105-129	CABLE-STABILIZER TRIM CONTROL AFT-STAINLESS STEEL -----	2	
		ATTACHING PARTS -----		
-24	AN155B8S	BARREL -----	1	
		-----*		
-25	S378-1L	PULLEY -----	2	
		ATTACHING PARTS -----		
-26	AN960-416L	WASHER -----	1	
-27	0411491	BUSHING -----	1	A
-28	AN3-10A	BOLT -----	1	
-29	MS21044N3	NUT -----	1	
		-----*		
-30	0432138-3	CHAIN-STABILIZER TRIM AFT -----	1	
-31	S378-1L	PULLEY -----	2	
		ATTACHING PARTS -----		
-32	AN960-10L	WASHER -----	2	
-33	NAS382-1	SPACER -----	1	A
-34	AN3-6A	BOLT -----	1	
-35	MS21044N3	NUT -----	1	
		-----*		
-36	0712500-1	ACTUATOR ASSEMBLY-STABILIZER LH -----	1	
-37	0712500-2	ACTUATOR ASSEMBLY-STABILIZER RH -----	1	
		ATTACHING PARTS -----		
	AN4-15A	BOLT-UPPER -----	1	
	AN4-20A	BOLT-LOWER -----	1	
	NAS679A4	NUT -----	1	
		-----*		

CONTINUED ON NEXT PAGE

FIGURE AND INDEX NO.	PART NUMBER	DESCRIPTION	UNITS PER ASSY	USABLE ON CODE
100 -38	0712500-5	HINGE ASSEMBLY-ACTUATOR LH -----	1	
	0712500-6	HINGE ASSEMBLY-ACTUATOR RH -----	1	
-39	0712500-14	BUSHING -----	2	
-40	0712500-8	GUARD-CABLE -----	1	
		ATTACHING PARTS		
-41	AN500A8-4	SCREW -----	2	
		*-----		
-42	0712500-10	RUSHING -----	1	
-43	0310332	SPROCKET -----	1	
-44	NAS561-3-8	ROLL PIN -----	1	
-45	MS20201KP6A	BEARING -----	1	
-46	0712500-9	CAP -----	1	
-47	0712500-16	PLATE -----	1	
		ATTACHING PARTS		
-48	AN500A8-8	SCREW -----	4	
		*-----		
-49	0712500-11	SCREW-BAR -----	1	
-50	0712500-7	COLLAR-RETAINER -----	1	
-51	0712501	SPRING-ACTUATOR -----	1	
-52	0712500-17	COLLAR -----	1	
-53	0712500-13	BARREL -----	1	
-54	0712502	BUSHING-ECCENTRIC -----	1	
-55	0712500-18	BOOT-ACTUATOR -----	1	
		ATTACHING PARTS		
-56	A3053-14-27	CLAMP TIN -----	1	
-57	S1021Z8-6	SCREW -----	1	
		*-----		
-58	0712500-19	PLUG -----	1	
<p>NOTE. THIS PART NUMBER MUST HAVE A SECOND DASH NUMBER ADDED TO DENOTE COLOR. REFER TO HOW TO ORDER INTERIOR PARTS-PAGE XIII.</p> <p>A---SERIAL 18051184 THRU 18051312 B---SERIAL 18051184 THRU 18051312 SERIAL 185-0001 THRU 185-0653 C---SERIAL 18051313 THRU 18051607 SERIAL 185-0654 THRU 185-0949 D---SERIAL 18051608 & ON SERIAL 185-0950 & ON E---SERIAL 18051184 THRU 18051607 SERIAL 185-0654 THRU 185-0949</p>				

This page intentionally left blank.

Flight Controls (Cont)



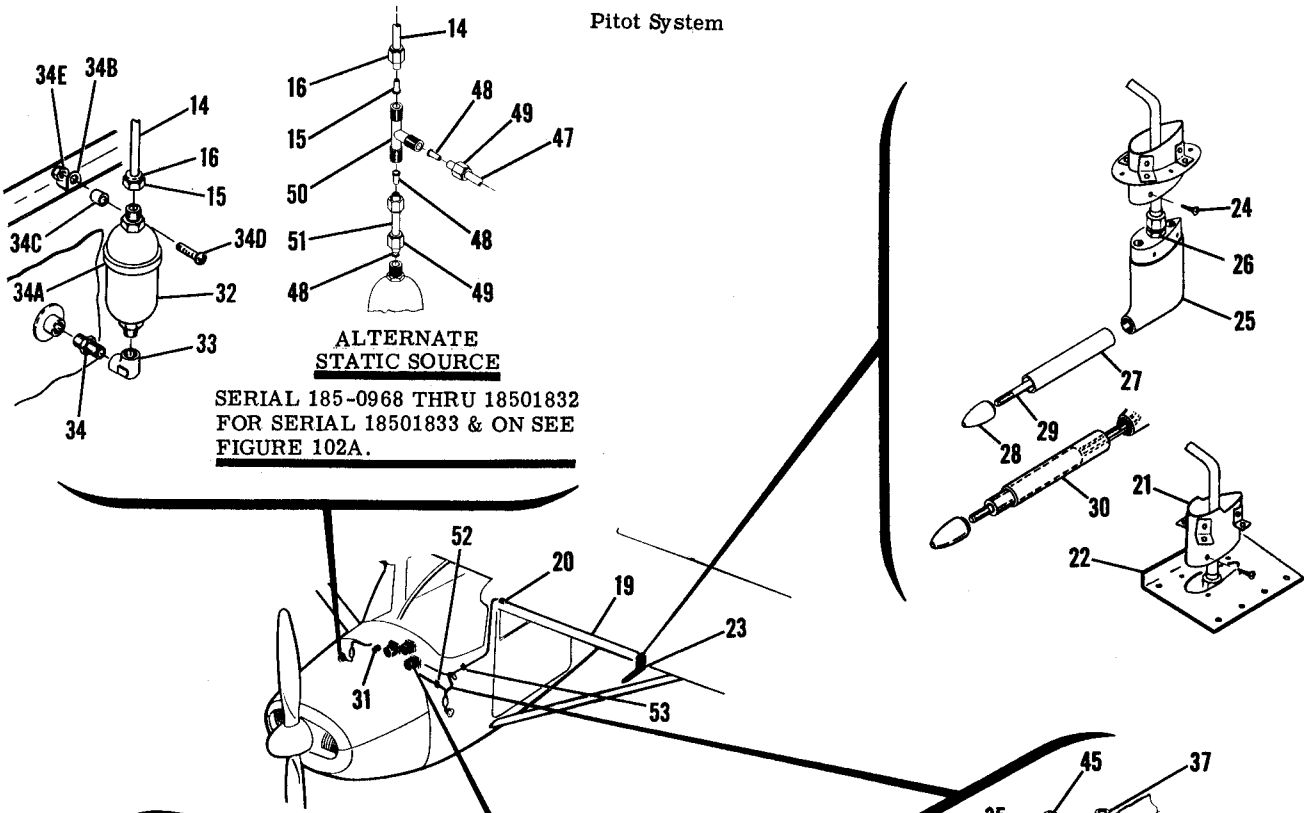
SERIAL 18051608 & ON
SERIAL 185-0950 & ON

Figure 100A. Stabilizer Trim Wheel Assembly Installation

FIGURE AND INDEX NO.	PART NUMBER*	DESCRIPTION	UNITS PER ASSY	USABLE ON CODE
100A-		1 2 3 4 5 6 7 STABILIZER TRIM WHEEL ASSEMBLY INSTALLATION -----	NP	A
	0761205-8	WHEEL ASSEMBLY-STABILIZER TRIM -----	1	
		ATTACHING PARTS -----		
- 1	AN960C416L	WASHER -----	2	
- 2	NAS561-2-8	ROLL PIN -----	2	
		-----*		
- 3	0761205-9	SHAFT-TRIM WHEEL -----	1	
- 4	0761210-1	SPROCKET-TRIM WHEEL -----	1	
- 5	0761205-3	ROLL PIN -----	2	B
	NAS561-3-8	ROLL PIN -----	2	C
	0713824-3	BRACKET & LOCK ASSEMBLY -----	1	
- 6	AN515-8R10	ATTACHING PARTS -----		
		SCREW -----	3	
		-----*		
- 7	0713827-1	CATCH ASSEMBLY -----	1	
- 8	B45	BEARING TOR -----	1	
	0713032	INDICATOR ASSEMBLY-TRIM CONTROL -----	1	
		ATTACHING PARTS -----		
- 9	S102176-6	SCREW -----	2	
-10	NAS446-2-3	NUT -----	2	
		-----*		
-11	0713032-4	GUARD-CHAIN -----	1	
-12	0713032-3	INDICATOR POINTER -----	1	
-13	0713032-1	BUSHING -----	1	
-14	0713032-2	COLLAR -----	1	
-15	0713825-3	PLATE ASSEMBLY-TRIM WHEEL -----	1	
		ATTACHING PARTS -----		
-16	AN515-8R10	SCREW -----	10	
		-----*		
-17	B45	BEARING TOR -----	1	
		A---SERIAL 18051608 & ON SERIAL 185-0950 & ON		
		B---SERIAL 18051608 THRU 18052104 SERIAL 185-0950 THRU 18501604		
		C---SERIAL 18052105 & ON SERIAL 18501605 & ON		

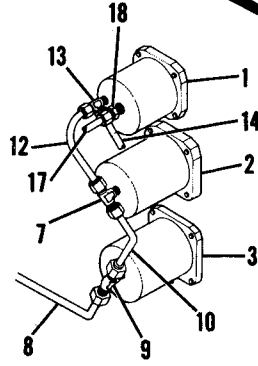
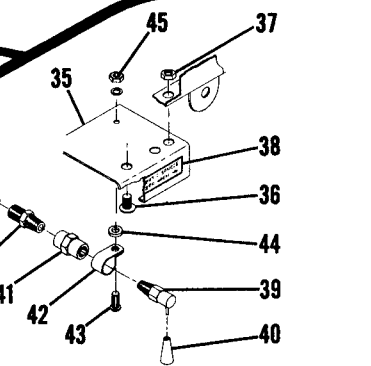
FIGURE AND INDEX NO.	PART NUMBER	DESCRIPTION	UNITS PER ASSY	USABLE ON CODE
		1 2 3 4 5 6 7		
101 -		SYSTEM INSTALLATION-PITOT -----	NP	A
- 1	0713163-1	INDICATOR-AIRSPEED WHEN EXHAUSTED USE S-1321N2 -----	1	B
	S1321N2	INDICATOR-AIRSPEED -----	1	C
	S1471N2	INDICATOR-AIRSPEED -----	1	D
	S1471N9	INDICATOR-AIRSPEED WEU C661060-0202 -----	1	G
	C661010-0202	INDICATOR-AIRSPEED -----	1	V
	C661010-0207	INDICATOR-TRUE AIRSPEED SEE FIGURE 68A & 68B -----	1	G
		WEU C661061-0202		
	C661061-0202	INDICATOR-TRUE AIRSPEED SEE FIG 68B -----	1	Y
	C661061-0210	INDICATOR-TRUE AIRSPEED SEE FIG 68C -----	1	X
		ATTACHING PARTS		
	AN51586R12	SCREW -----	4	
		*-----		
- 2	0411007-7	ALTIMETER FOR VFR APPLICATIONS ONLY WHEN -----	1	B
		EXHAUSTED USE C661011-0105		
	S1314N1	ALTIMETER-20,000 FT FOR VFR APPLICATIONS ONLY -----	1	H
		WHEN EXHAUSTED USE C661011-0105		
	0411007-8	ALTIMETER-SENSITIVE FOR VFR APPLICATIONS ONLY -----	1	B
		WHEN EXHAUSTED USE C661011-0105		
	S1313N1	ALTIMETER-35,000 FT SENSITIVE FOR VFR APPLICATIONS --	1	H
		ONLY WHEN EXHAUSTED USE C661011-0105		
	C661011-0105	ALTIMETER-20,000 FT SENSITIVE WEU C661071-0101 -----	1	K
	C661071-0101	ALTIMETER-20,000 FT SENSITIVE -----	1	V
	S1432N1	ALTIMETER-35,000 FT FEET/MILLIBARS FOR VFR -----	1	J
		APPLICATIONS ONLY WHEN EXHAUSTED USE C661011-0106		
	C661011-0106	ALTIMETER-20,000 FT FEET/MILLIBARS WEU C661071-0102 -	1	K
	C661071-0102	ALTIMETER-20,000 FT FEET/MILLIBARS -----	1	V
		ATTACHING PARTS		
	AN51586R12	SCREW -----	AR	
	AN340B6	NUT -----	AR	
	AN936B6B	WASHER -----	AR	
		*-----		
- 3	0411069-1	INDICATOR-VERTICAL SPEED WEU S1304N2 -----	1	B
	S1304N2	INDICATOR-VERTICAL SPEED WEU C661080-0101 -----	1	E
	S1392N1	INDICATOR-VERTICAL SPEED ALT WEU C661080-0101 -----	1	U
	C661080-0101	INDICATOR-VERTICAL SPEED -----	1	V
		ATTACHING PARTS		
	AN51586R12	SCREW -----	4	
	MS20365B632C	NUT -----	4	
		*-----		
- 4		LINE ASSEMBLY-RIGHT STATIC SOURCE TO TEE -----	1	
		ATTACHING PARTS		
- 5	S1138-1	TEE-NYLON -----	1	
	S1130-1	NUT -----	2	
		*-----		
	S1071-1	TUBE-POLYETHYLENE 36 IN LG BULK ITEM -----	AR	
		REF S-1071-1-36		
	S1131-1	INSERT-NYLON -----	2	
- 6		LINE ASSEMBLY-TEE TO ALTIMETER -----	1	
		ATTACHING PARTS		
- 7	S1138-1	TEE-NYLON -----	1	
	S1130-1	NUT -----	2	
		*-----		
	S1071-1	TUBE-POLYETHYLENE 9 IN LG BULK ITEM -----	AR	
		REF S-1071-1-9		
	S1131-1	INSERT-NYLON -----	2	
- 8		LINE ASSEMBLY-RIGHT STATIC TO VERTICAL SPEED -----	1	
		ATTACHING PARTS		
- 9	S1138-1	TEE-NYLON -----	1	
	S1130-1	NUT -----	2	
		*-----		
	S1071-1	TUBE-POLYETHYLENE 43 IN LG BULK ITEM -----	AR	
		REF S-1071-1-43		
	S1131-1	INSERT-NYLON -----	2	
		CONTINUED ON NEXT PAGE		

Pitot System

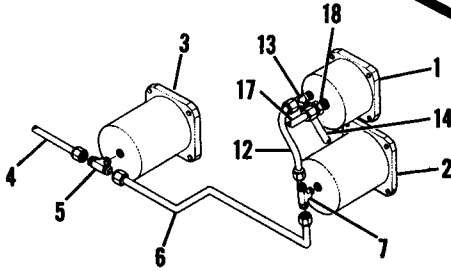
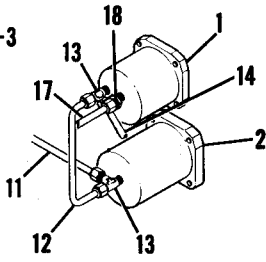


**ALTERNATE
STATIC SOURCE**

**SERIAL 185-0968 THRU 18501832
FOR SERIAL 18501833 & ON SEE
FIGURE 102A.**



**LOCATION OF
VERT. SPEED
INDICATOR
WITH DUAL
OMNI INSTL.**



**SERIAL 185-0968 THRU 18501832
FOR SERIAL 18501833 & ON SEE
FIGURE 102A.**

SERIAL 185-0001 & ON

Figure 101. Pitot System Installation

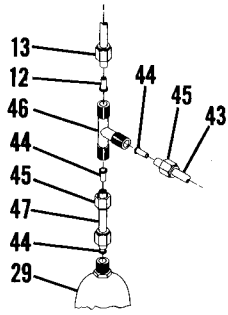
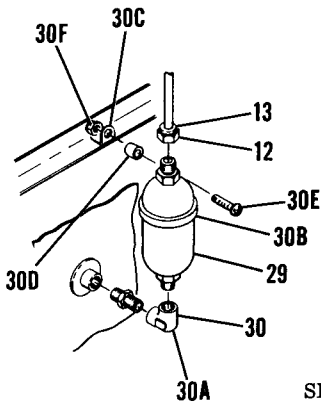
FIGURE AND INDEX NO.	PART NUMBER	DESCRIPTION	UNITS PER ASSY	USABLE ON CODE
		1 2 3 4 5 6 7		
101 -10	S1071-1	LINE ASSEMBLY-VERTICAL SPEED TO ALTIMETER TUBE-POLYETHYLENE 9 IN LG BULK ITEM REF S-1071-1-9	1 AR	
-11		LINE ASSEMBLY-RIGHT STATIC SOURCE TO ALTIMETER TUBE-POLYETHYLENE 67 IN LG BULK ITEM REF S-1071-1-67	1 AR	
-12	S1131-1	INSERT-NYLON LINE ASSEMBLY-AIRSPEED INDICATOR TO ALTIMETER ATTACHING PARTS	2 1	
-13	S1139-1 S1135-1 S1130-1	TEE-NYLON ELBOW USED WITH ALT STATIC SOURCE NUT	1 1 2	T
	S1071-1	TUBE-POLYETHYLENE 7.5 IN LG BULK ITEM REF S-1071-1-7.5	AR	
	S1131-1	INSERT-NYLON	2	
-14	S1071-1	LINE ASSEMBLY-AIRSPEED INDICATOR-LEFT STATIC SOURCE TUBE-POLYETHYLENE 12 IN LG BULK ITEM REF S1071-1-12	1 AR	
-15	S1131-1	INSERT	1	
-16	S1130-1	NUT	1	
-17		LINE ASSEMBLY-AIRSPEED INDICATOR TO UNION IN WING ATTACHING PARTS	1	
-18	S1133-1 S1130-1	CONNECTOR NUT	1 1	
	S1071-1	TUBE-POLYETHYLENE 38 IN LG BULK ITEM REF S-1071-1-38	AR	
	S1131-1	INSERT-NYLON	2	
-19		LINE ASSEMBLY-UNION IN WING TO PITOT TUBE ATTACHING PARTS	1	
-20	S1132-1 S1130-1	UNION-NYLON NUT	1 2	
	S1071-1	TUBE-52 IN LG BKI REF S1071-1-52	AR	W
	S1071-1	TUBE-63.7 IN LG BKI REF S1071-1-63.7	AR	X
	S1131-1	INSERT-NYLON	2	
-21	0721115-1	CONNECTOR ASSEMBLY-PITOT TUBE	1	
-22	0721114-1 0721114-3	DOUBLER DOUBLER	1 1	W X
-23	0721105-14 0721105-15 0721105-39 0721105-40	TUBE ASSEMBLY-L SHAPED PITOT TUBE ASSEMBLY-L SHAPED PITOT HEATED TUBE ASSEMBLY-L SHAPED PITOT TUBE ASSEMBLY-L SHAPED PITOT HEATED ATTACHING PARTS	1 1 1 1	W W X X
-24	AN507-640R4	SCREW	4	
-25	0721105-13 0721105-38	BODY-PITOT TUBE BODY-PITOT TUBE	1 1	W X
-26	S1133-2 S1130-1	CONNECTOR-NYLON NUT	1 1	
-27	0721105-3	TUBE-PITOT	1	
-28	0721105-4	NOSE FITTING PITOT TUBE	1	
-29	0721105-8	STEM-PITOT TUBE	1	
-30	0721105-5	HEATER ASSEMBLY-PITOT HFCA A357-3	1	
-31	0713026-4 S2160-1 0713303-2 S1760-1 S1981-1 S1258-1	SWITCH-PITOT HEATER SWITCH-PITOT HEATER KNOB KNOB KNOB SUMP ASSEMBLY-PITOT STATIC SOURCE ATTACHING PARTS	1 1 1 1 1 1 2	W X L M Q
-32				
-33	AN916-1D	ELBOW	1	
-34	AN911-1D	NIPPLE	1	
-34A	MS21919DG26	CLAMP	1	R
-34B	AN743-12	BRACKET	1	R
-34C	NAS43DD4-19	SPACER	1	R
-34D	NAS603-10	SCREW	1	R
-34E	MS21044N3	NUT	1	R

CONTINUED ON NEXT PAGE

FIGURE AND INDEX NO.	PART NUMBER	DESCRIPTION	UNITS PER ASSY	USABLE ON CODE
101 -		STATIC SOURCE INSTALLATION-ALTERNATE	NP	S
-35	0713244-1	BRACKET	1	
		ATTACHING PARTS		
-36	AN515-8R6	SCREW	2	
-37	NAS679A08	NUT	2	
		---*---		
-38	1200678-2	PLACARD WHEN EXHAUSTED USE 0505005-1	1	N
	0505005-1	PLACARD	1	P
-39	0511199-20	VALVE	1	
-40	S430-1	KNOB	1	
-41	AN910-1D	COUPLING	1	
-42	MS21919DG9	CLAMP	1	
-43	AN520-10R8	SCREW	1	
-44	AN960D10	WASHER	1	
-45	MS21044N3	NUT	1	
-46	S1133-1	CONNECTOR	1	
-47	S1071-1	TUBE-POLYETHYLENE * IN LG BULK ITEM	1	
		REF S1071-1-*		
-48	S1131-1	INSERT-NYLON	4	
-49	S1130-1	NUT-NYLON	4	
-50	S1137-1	TEE-NYLON	1	
-51	S1071-1	TUBE-POLYETHYLENE 2.00 IN LG BULK ITEM	1	
		REF S1071-1-2.00		
-52	SEE FIG 102A MS21919DG4	STATIC SOURCE INSTALLATION-ALTERNATE SEE FIG 102A	1	T
		CLAMP	1	R
		ATTACHING PARTS		
	AN525-10R6	SCREW	1	R
		---*---		
-53	MS35489-6S	GROMMET	1	
<p>NOTE. **USED ON THESE AIRPLANES WHEN VERTICAL SPEED INDICATOR IS INSTALLED.</p> <p>NOTE. *LENGTH TO BE ADDED LATER</p> <p>A---SERIAL 185-0001 & ON B---SERIAL 185-0001 THRU 185-0237 C---SERIAL 185-0238 THRU 185-0776 D---SERIAL 185-0777 THRU 185-0967 & ALSO ALTERNATE FOR S-1321N2 E---SERIAL 185-0238 THRU 18501934 F---SERIAL 185-0001 THRU 185-0967 G---SERIAL 185-0968 THRU 18501934 H---SERIAL 185-0238 THRU 185-1112 J---SERIAL 185-0001 THRU 185-1112 K---SERIAL 185-1113 THRU 18501934 L---SERIAL 185-0001 THRU 185-1300 M---SERIAL 185-1301 THRU 185-1599 N---SERIAL 185-0001 THRU 185-1447 P---SERIAL 185-1448 THRU 18501832 Q---SERIAL 18501600 THRU 18501934 R---SERIAL 18501890 & ON S---SERIAL 185-0968 THRU 18501832 T---SERIAL 18501833 & ON U---SERIAL 185-0001 THRU 18501934 V---SERIAL 18501935 & ON W---SERIAL 185-0001 THRU 18502090 X---SERIAL 18502091 & ON Y---SERIAL 18501935 THRU 18502090</p>				

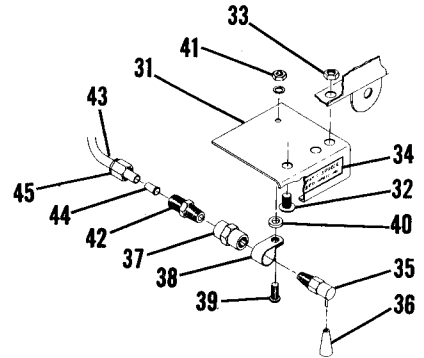
This page intentionally left blank.

Pitot System

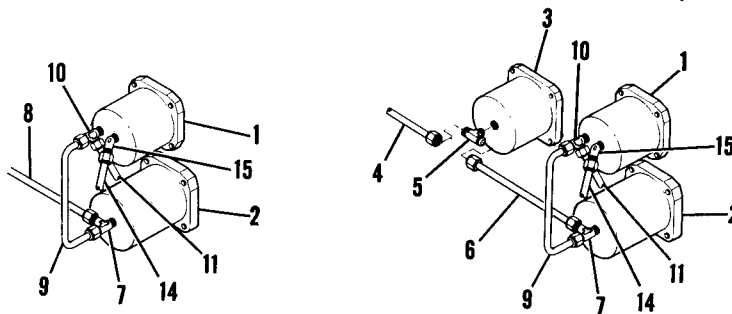
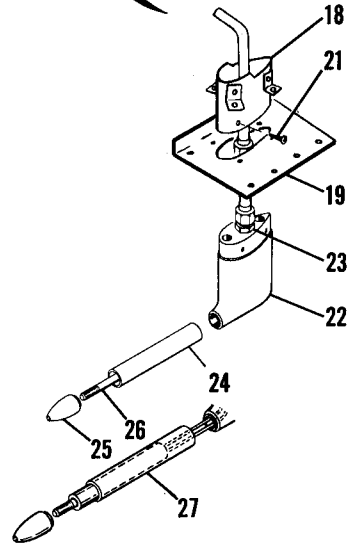
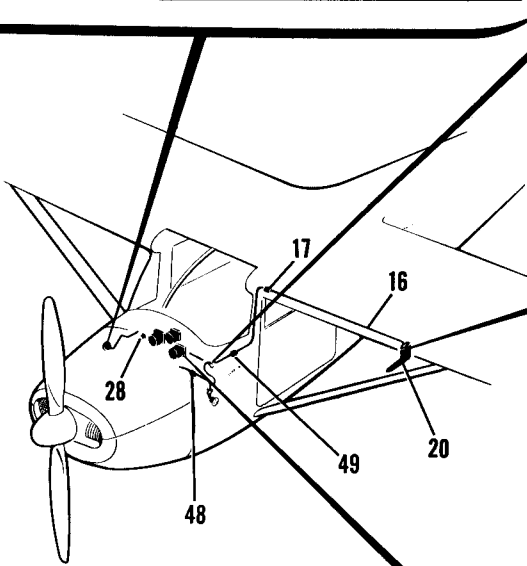


**ALTERNATE
STATIC SOURCE**

SERIAL 18051608 THRU 18052175.
FOR SERIAL 18052176 & ON SEE
FIGURE 102A.



SERIAL 18051608 THRU 18052175.
FOR SERIAL 18052176 & ON SEE
FIGURE 102A.



SERIAL 18051184 & ON

Figure 102. Pitot System Installation

FIGURE AND INDEX NO.	PART NUMBER	DESCRIPTION	UNITS PER ASSY	USABLE ON CODE
102 -		1 2 3 4 5 6 7		
- 1	S1324N3 S1470N3 S1324N6 S1470N6 C661060-0105 C661010-0201 C661061-0206 C661061-0211	SYSTEM INSTALLATION-PITOT ----- INDICATOR-AIRSPEED ----- INDICATOR-AIRSPEED ALTERNATE ----- INDICATOR-AIRSPEED ----- INDICATOR-AIRSPEED WEU C661060-0105 ----- INDICATOR-AIRSPEED ----- INDICATOR-TRUE AIRSPEED SEE FIGURES 68A & 68B ----- WEU C661061-0206 ----- INDICATOR-TRUE AIRSPEED SEE FIG 68B ----- INDICATOR-TRUE AIRSPEED SEE FIG 68C -----	NP 1 1 1 1 1 1 1	A B B C D U E V S
	AN51586R12	ATTACHING PARTS SCREW -----	4	
- 2	S1314N1 S1313N1 C661011-0105 C661071-0101 S1432N1 C661011-0106 C661071-0102	ALTIMETER-20,000 FT FOR VFR APPLICATIONS ONLY ----- WHEN EXHAUSTED USE C661011-0105 ----- ALTIMETER-35,000 FT SENSITIVE FOR VFR APPLICATIONS ----- ONLY WHEN EXHAUSTED USE C661011-0105 ----- ALTIMETER-20,000 FT SENSITIVE WEU C661071-0101 ----- ALTIMETER-20,000 FT SENSITIVE ----- ALTIMETER-35,000 FT FEET/MILLIBARS FOR VFR ----- APPLICATIONS ONLY WHEN EXHAUSTED USE C661011-0106 ----- ALTIMETER-20,000 FT FEET/MILLIBARS WEU C661071-0102 ----- ALTIMETER-20,000 FT FEET/MILLIBARS -----	1 1 1 1 1 1 1	 F G U F G U
	AN51586R12	ATTACHING PARTS SCREW -----	3	
- 3	S1304N2 S1392N1 C661080-0101	INDICATOR-VERTICAL SPEED WEU C661080-0101 ----- INDICATOR-VERTICAL SPEED ALT WEU C661080-0101 ----- INDICATOR-VERTICAL SPEED -----	1 1 1	T T U
	AN51586R12 MS203658632C	ATTACHING PARTS SCREW ----- NUT -----	4 4	
- 4		* LINE ASSEMBLY-RIGHT STATIC SOURCE TO TEE ----- ATTACHING PARTS -----	1	
- 5	S1138-1 S1130-1	TEE-NYLON ----- NUT -----	1 2	
	S1071-1	* TUBE-POLYETHYLENE 36 IN. LG. BULK ITEM ----- REF S-1071-1-36 -----	AR	
	S1131-1	INSERT-NYLON -----	2	
- 6		* LINE ASSEMBLY-TEE TO ALTIMETER ----- ATTACHING PARTS -----	1	
- 7	S1138-1 S1130-1	TEE-NYLON ----- NUT -----	1 2	
	S1071-1	* TUBE-POLYETHYLENE 9 IN. LG. BULK ITEM ----- REF S-1071-1-9 -----	AR	
	S1131-1	INSERT-NYLON -----	2	
- 8		LINE ASSEMBLY-RIGHT STATIC SOURCE TO ALTIMETER ----- TUBE-POLYETHYLENE 67 IN. LG. BULK ITEM ----- REF S-1071-1-67 -----	1 AR	
	S1131-1	INSERT-NYLON -----	2	
- 9		LINE ASSEMBLY-AIRSPEED INDICATOR TO ALTIMETER ----- ATTACHING PARTS -----	1	
-10	S1139-1 S1135-1 S1130-1	TEE-NYLON ----- ELBOW USED WITH ALT STATIC SOURCE ----- NUT -----	1 1 2	Q
	S1071-1	* TUBE-POLYETHYLENE 7.5 IN. LG. BULK ITEM ----- REF S-1071-1-7.5 -----	AR	
	S1131-1	INSERT-NYLON -----	2	
-11	S1071-1	LINE ASSEMBLY-AIRSPEED INDICATOR TO LEFT STATIC SOURCE ----- TUBE-POLYETHYLENE 12 IN LG BULK ITEM ----- REF S1071-1-12 -----	1 AR	
-12	S1131-1	INSERT-NYLON -----	2	
-13	S1130-1	NUT -----	2	

CONTINUED ON NEXT PAGE

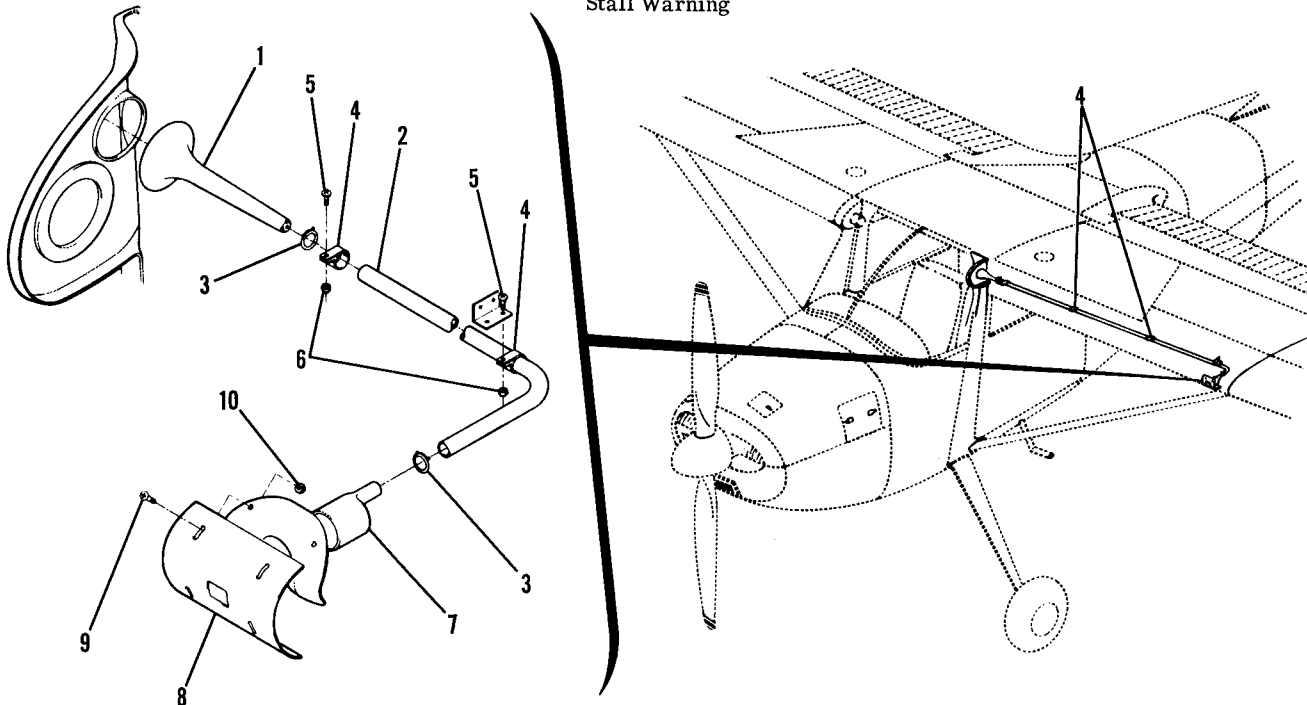
FIGURE AND INDEX NO.	PART NUMBER	DESCRIPTION	UNITS PER ASSY	USABLE ON CODE
102 -14		LINE ASSEMBLY-AIRSPD INDICATOR TO UNION IN WING ----- ATTACHING PARTS -----	1	
-15	S1133-1	CONNECTOR -----	1	
	S1130-1	NUT -----	1	
	S1071-1	TUBE-POLYETHYLENE 38 IN. LG. BULK ITEM ----- REF S-1071-1-38 -----	AR	
	S1131-1	INSERT-NYLON -----	2	
-16		LINE ASSEMBLY-UNION IN WING TO PITOT TUBE ----- ATTACHING PARTS -----	1	
-17	S1132-1	UNION-NYLON -----	1	
	S1130-1	NUT -----	2	
	S1071-1	TUBE-52 IN LG BKI REF S1071-1-52 -----	AR	R
	S1071-1	TUBE-63.7 IN LG BKI S1071-1-63.7 -----	AR	S
	S1131-1	INSERT NYLON -----	2	
-18	0721115-1	CONNECTOR ASSEMBLY-PITOT TUBE -----	1	
-19	0721114-1	DOUBLER -----	1	R
	0721114-3	DOUBLER -----	1	S
-20	0721105-14	TUBE ASSEMBLY-L SHAPED PITOT -----	1	R
	0721105-15	TUBE ASSEMBLY-L SHAPED PITOT HEATED -----	1	R
	0721105-39	TUBE ASSEMBLY-L SHAPED PITOT -----	1	S
	0721105-40	TUBE ASSEMBLY-L SHAPED PITOT HEATED -----	1	S
-21	AN507-640R4	ATTACHING PARTS ----- SCREW -----	4	
-22	0721105-13	BODY-PITOT TUBE -----	1	R
	0721105-38	BODY-PITOT TUBE -----	1	S
-23	S1133-2	CONNECTOR-NYLON -----	1	
	S1130-1	NUT -----	1	
-24	0721105-3	TUBE-PITOT -----	1	
-25	0721105-4	NOSE FITTING-PITOT TUBE -----	1	
-26	0721105-8	STEM-PITOT TUBE -----	1	
-27	0721105-5	HEATER ASSEMBLY-PITOT HECA A357-3 -----	1	
-28	0713026-4	SWITCH-PITOT HEATER -----	1	R
	S1260-1	SWITCH-PITOT HEATER -----	1	S
	0713303-2	KNOB -----	1	H
	S1760-1	KNOB -----	1	J
	S1918-1	KNOB -----	1	M
-29	S1258-1	SUMP ASSEMBLY-PITOT STATIC SOURCE ----- ATTACHING PARTS -----	1	
-30	AN916-1D	ELBOW -----	1	
-30A	AN911-1D	NIPPLE -----	1	
-30B	MS21919DG26	CLAMP -----	1	N
-30C	NAS743-12	BRACKET -----	1	N
-30D	NAS43DD4-19	SPACER -----	1	N
-30E	NAS603-10	SCREW -----	1	N
-30F	MS21044N3	NUT -----	1	N
-31	0713244-1	STATIC SOURCE INSTALLATION-ALTERNATE ----- BRACKET ----- ATTACHING PARTS -----	NP 1	P
-32	AN515-8R6	SCREW -----	2	
-33	NAS679A08	NUT -----	2	
-34	1200678-2	PLACARD WHEN EXHAUSTED USE 0505005-1 -----	1	K
	0505005-1	PLACARD -----	1	L
-35	0511199-20	VALVE -----	1	
-36	S430-1	KNOB -----	1	
-37	AN910-1D	COUPLING -----	1	
-38	MS21919DG9	CLAMP -----	1	
-39	AN520-10R8	SCREW -----	1	

CONTINUED ON NEXT PAGE

FIGURE AND INDEX NO.	PART NUMBER	DESCRIPTION	UNITS PER ASSY	USABLE ON CODE
		1 2 3 4 5 6 7		
102 -40	AN960D10	WASHER -----	1	
-41	MS21044N3	NUT -----	1	
-42	S1133-1	CONNECTOR -----	1	
-43	S1071-1	TUBE-POLYETHYLENE # IN LG BULK ITEM ----- REF S1071-1-#	1	
-44	S1131-1	INSERT-NYLON -----	4	
-45	S1130-1	NUT-NYLON -----	4	
-46	S1137-1	TEE-NYLON -----	1	
-47	1071-1	TUBE-POLYETHYLENE 2.00 IN LG BULK ITEM ----- REF S1071-1-2.00	1	
-48	SEE FIG 102A MS21919DG4	STATIC SOURCE INSTALLATION-ALTERNATE SEE FIG 102A ----- CLAMP -----	1 1	Q N
	AN525-10R6	ATTACHING PARTS SCREW -----	1	N
-49	MS35489-6S	*----- GROMMET -----	1	
<p>NOTE. *USED ON THESE AIRPLANES WHEN VERTICAL SPEED INDICATOR IS INSTALLED.</p> <p>NOTE. #LENGTH TO BE ADDED LATER</p> <p>A---SERIAL 18051184 & ON B---SERIAL 18051184 THRU 18051312 C---SERIAL 18051313 THRU 18051445 D---SERIAL 18051446 THRU 18052221 & ALSO ALTERNATE FOR S1324N6 E---SERIAL 18051608 THRU 18052221 F---SERIAL 18051184 THRU 18051763 G---SERIAL 18051764 THRU 18052221 H---SERIAL 18051184 THRU 18051875 J---SERIAL 18051876 THRU 18052103 K---SERIAL 18051608 THRU 18051993 L---SERIAL 18051994 THRU 18052175 M---SERIAL 18052104 THRU 18052284 N---SERIAL 18052203 & ON P---SERIAL 18051608 THRU 18052175 Q---SERIAL 18052176 & ON R---SERIAL 18051184 THRU 18052284 S---SERIAL 18052285 & ON T---SERIAL 18051184 THRU 18052221 U---SERIAL 18052222 & ON V---SERIAL 18052222 THRU 18052284</p>				

FIGURE AND INDEX NO.	PART NUMBER	DESCRIPTION	UNITS PER ASSY	USABLE ON CODE
		1 2 3 4 5 6 7		
102A-		ALTERNATE STATIC SOURCE INSTALLATION -----	NP	A
- 1	0701028-2	BRACKET-ALTERNATE STATIC SOURCE VALVE -----	2	
		ATTACHING PARTS -----		
- 2	AN515-8R6	SCREW -----	2	
- 3	NAS679A08	NUT -----	2	
		---*---		
- 4	S2116-1	VALVE-ALTERNATE STATIC SOURCE WEU 2013142-1 -----	1	B
	2013142-1	VALVE-ALTERNATE STATIC SOURCE -----	1	C
		ATTACHING PARTS -----		
- 5	AN509-8R6	SCREW -----	2	
- 6	NAS679A08	NUT -----	2	
		---*---		
- 7	S1981-5	KNOB -----	1	
- 8	S1071-1-6	TUBE-ALTERNATE SOURCE -----	1	
		ATTACHING PARTS -----		
- 9	S2071-1	ELBOW -----	1	
-10	S1130-1	NUT -----	1	
	S1131-1	INSERT -----	1	
		---*---		
-11	S1071-1	TUBE-STANDARD SOURCE * IN LG BKI REF S1071-1-* --	1	
		ATTACHING PARTS -----		
-12	S1130-1	NUT -----	2	
-13	S1131-1	INSERT -----	2	
		---*---		
-14	S1137-1	TEF -----	1	
-15	S1071-1	TUBE-LH SUMP * IN LG BKI REF S1071-1-* -----	1	
		ATTACHING PARTS -----		
-16	S1130-1	NUT -----	2	
	S1131-1	INSERT -----	2	
		---*---		
-17	S1071-1	TUBE-RH SUMP * IN LG BKI REF S1071-1-* -----	1	
		ATTACHING PARTS -----		
-18	S1130-1	NUT -----	2	
	S1131-1	INSERT -----	2	
		---*---		
-19	S1071-1	TUBE-VALVE TO VERTICAL SPEED INDICATOR * IN LG -----	1	
		BKI REF S1071-1-* -----		
		ATTACHING PARTS -----		
-20	S1130-1	NUT -----	1	
	S1131-1	INSERT -----	1	
		---*---		
<p>NOTE. *LENGTH TO BE DETERMINED LATER</p> <p>A---SERIAL 18052176 & ON SERIAL 18501833 & ON</p> <p>B---SERIAL 18052176 THRU 18052213 SERIAL 18501833 THRU 18501925</p> <p>C---SERIAL 18052214 & ON SERIAL 18501926 & ON</p>				

Stall Warning



**SERIAL 185-1198, 185-1199, 185-1201 & ON
SERIAL 18051824 & ON**

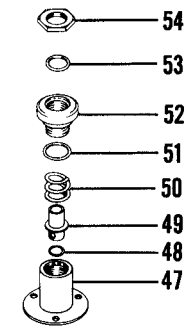
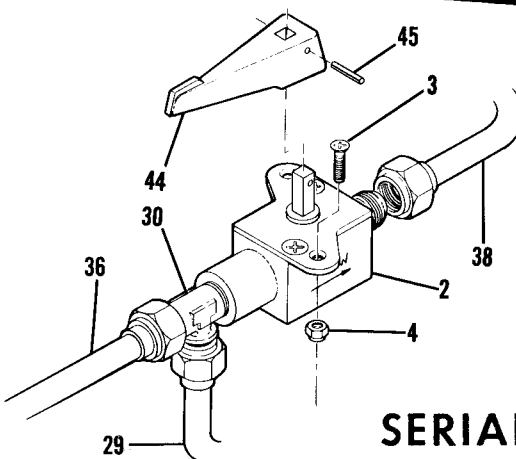
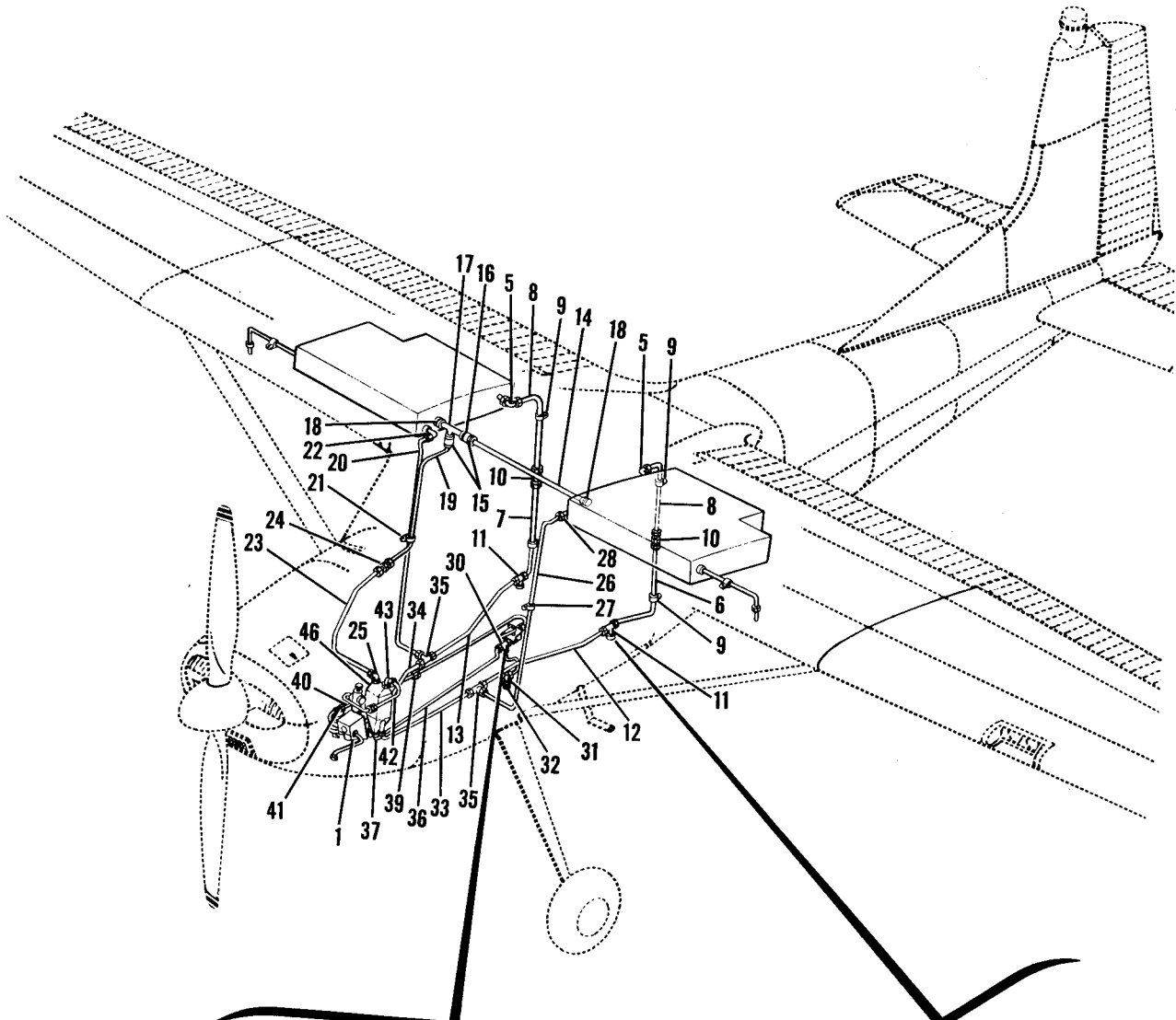
Figure 102B. Stall Warning Horn Installation

FIGURE AND INDEX NO.	PART NUMBER	DESCRIPTION	UNITS PER ASSY	USABLE ON CODE
		1 2 3 4 5 6 7		
102B-		STALL WARNING HORN INSTALLATION -----	NP	A
- 1	0413483-1	HORN ASSEMBLY-STALL WARNING -----	1	
- 2	S1071-4	TUBE BKI -----	AR	
		ATTACHING PARTS		
- 3	S1494-8	CLAMP -----	2	
- 4	AN742D8	CLAMP -----	4	
- 5	S1021Z6-6	SCREW -----	4	
- 6	NAS395-5-3	NUT -----	4	
		-----*		
- 7	0413485-1	SCOOP ASSEMBLY-STALL WARNING -----	1	D
	0413028-10	SCOOP ASSEMBLY-STALL WARNING -----	1	E
	0413485-2	SCREEN -----	1	
	0413028-5	SEAL-FELT -----	1	
- 8	0413028-4	SCOOP PLATE-STALL WARNING -----	1	B
	0413028-8	SCOOP PLATE-STALL WARNING -----	1	C
	0413028-9	SCOOP PLATE-STALL WARNING -----	1	
		ATTACHING PARTS		
- 9	S1021Z8-8	SCREW -----	4	
-10	NAS395-18-1	NUT -----	4	
		-----*		
		A---SERIAL 185-1189, 185-1199, 185-1201 & ON SERIAL 18051824 & ON		
		B---SERIAL 185-1189, 185-1199, 185-1201 THRU 18501969 SERIAL 18051824 THRU 18052233		
		C---SERIAL 18501970 THRU 18502090 SERIAL 18052234 THRU 18052284		
		D---SERIAL 185-1189, 185-1199, 185-1201 THRU 18502090 SERIAL 18051824 THRU 18052284		
		E---SERIAL 18502091 & ON SERIAL 18052285 & ON		

FIGURE AND INDEX NO.	PART NUMBER	DESCRIPTION	UNITS PER ASSY	USABLE ON CODE
		1 2 3 4 5 6 7		
103 -		FUEL SYSTEM INSTALLATION -----	NP	G
- 1		AUXILIARY FUEL PUMPS & STRAINER INSTALLATION SEE FIGURE 107 -	1	
- 2	0716109-1	VALVE-FUEL SEE FIGURE 111 -----	1	
		ATTACHING PARTS		
- 3	AN525-832R8	SCREW -----	2	
- 4	NAS679A08	NUT -----	2	
		-----*		
- 5	AN821-60	ELBOW -----	2	
- 6	0500106-326	LINE ASSEMBLY-FUEL LH LOWER -----	1	
- 7	0500106-322	LINE ASSEMBLY-FUEL RH LOWER -----	1	
- 8	0500106-346	LINE ASSEMBLY-FUEL UPPER -----	2	
		ATTACHING PARTS		
- 9	S1485D6U	CLAMP -----	2	
	S1021Z8-10	SCREW -----	2	
-10	AN815-60	UNION -----	2	
		-----*		
-11	AN834-60	TEE -----	2	C
	AN924-60	NUT -----	4	C
	AN929-6	PLUG -----	2	C
-12	0500106-324	LINE ASSEMBLY-FUEL LH -----	1	
-13	0500106-320	LINE ASSEMBLY-FUEL RH -----	1	
-14	0500106-331	LINE-FUEL -----	1	
-15	S51-6	HOSE-2.50 IN LG BULK ITEM REF S-51-6-10 -----	2	
		ATTACHING PARTS		
-16	NAS397-12	CLAMP -----	2	
		-----*		
-17	0716108-1	TEE -----	2	
-19	0500106-328	LINE ASSEMBLY-FUEL -----	1	A
	0500106-354	LINE ASSEMBLY-FUEL -----	1	B
-20	0500106-321	LINE ASSEMBLY-FUEL -----	1	
		ATTACHING PARTS		
-21	AN742D6	CLAMP -----	2	
	S1021Z8-10	SCREW -----	1	
-22	AN815-60	UNION -----	1	
		-----*		
-23	0500106-327	LINE ASSEMBLY-FUEL -----	1	A
	0500106-353	LINE ASSEMBLY-FUEL -----	1	B
		ATTACHING PARTS		
-24	AN815-60	UNION -----	1	
-25	MS20822-60	ELBOW -----	1	
		-----*		
-26	0500106-325	LINE ASSEMBLY-FUEL -----	1	
		ATTACHING PARTS		
-27	AN742D6	CLAMP -----	1	
	S1021Z8-10	SCREW -----	1	
-28	AN815-60	UNION -----	1	
		-----*		
-29	0500106-333	LINE ASSEMBLY-FUEL DRAIN -----	1	E
	0500106-357	LINE ASSEMBLY-FUEL DRAIN -----	1	F
		ATTACHING PARTS		
-30	AN834-60	TEE -----	1	
-31	AN833-60	ELBOW -----	1	E
	AN837-60	ELBOW -----	1	F
	AN924-60	NUT -----	2	
		-----*		

CONTINUED ON NEXT PAGE

Fuel System

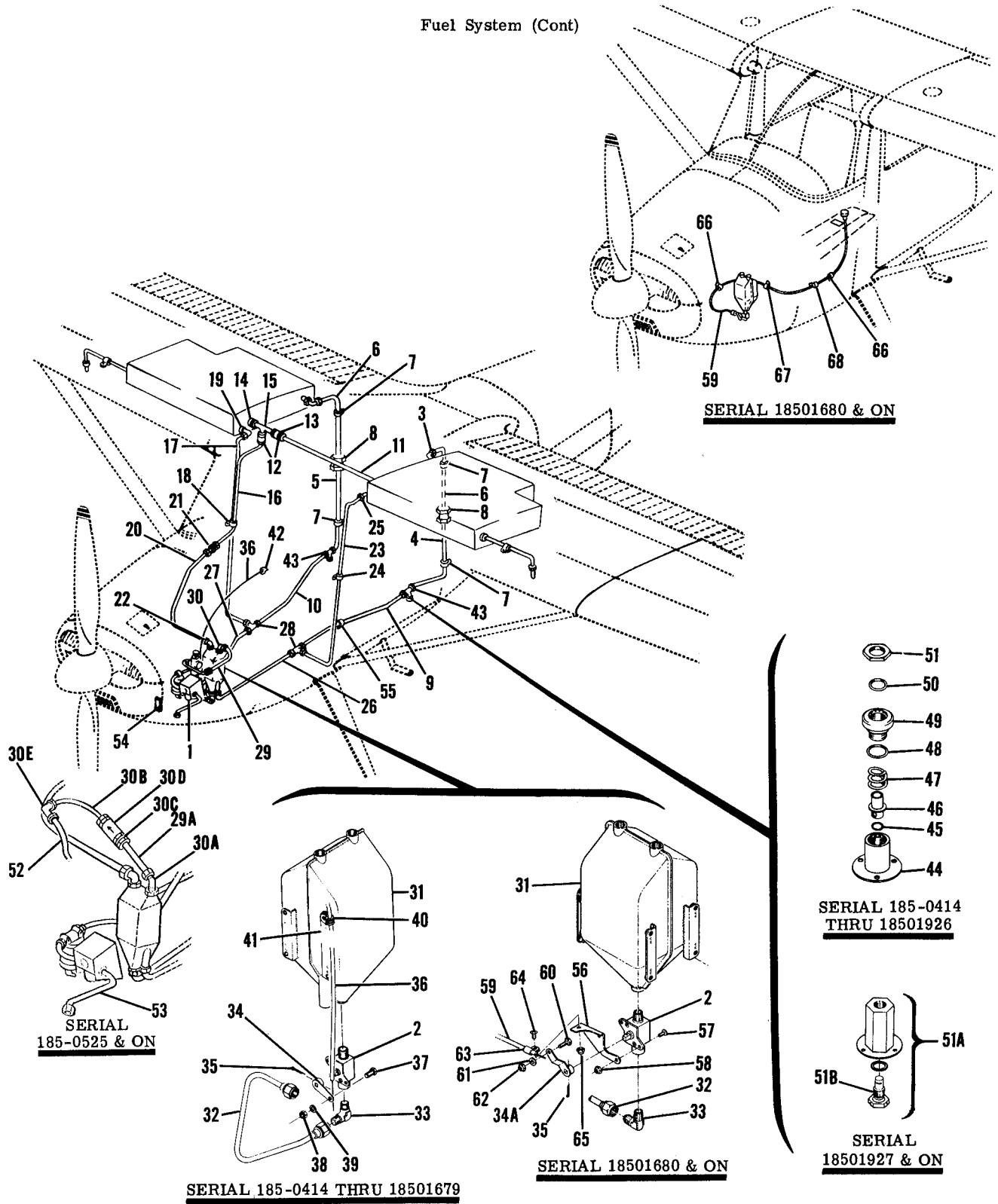


SERIAL 185-0001 THRU 185-0413

Figure 103. Fuel System

FIGURE AND INDEX NO.	PART NUMBER	DESCRIPTION	UNITS PER ASSY	USABLE ON CODE
		1 2 3 4 5 6 7		
103 -32	AN929-6	PLUG -----	1	
-33	0500106-323	LINE ASSEMBLY-FUEL LH -----	1	
-34	0500106-319	LINE ASSEMBLY-FUEL RH -----	1	
		ATTACHING PARTS -----		
-35	AN824-6D	TEE -----	1	
		-----*		
-36	0500106-329	LINE ASSEMBLY-FUEL -----	1	
		ATTACHING PARTS -----		
-37	MS20823-6D	ELBOW -----	1	
		-----*		
-38	0500106-330	LINE ASSEMBLY-FUEL -----	1	
		ATTACHING PARTS -----		
-39	AN815-6D	UNION -----	1	
		-----*		
-40	0500106-340	LINE ASSEMBLY-FUEL -----	1	
		ATTACHING PARTS -----		
-41	AN816-6D	NIPPLE -----	1	
	AN960-416L	WASHER -----	1	
		-----*		
-42	0500106-332	LINE ASSEMBLY-FUEL -----	1	
		ATTACHING PARTS -----		
-43	MS20822-4-4D	ELBOW -----	1	
	AN924-4D	NUT -----	1	
	AN960-416L	WASHER -----	1	
		-----*		
-44	C716612-2	HANDLE-FUEL VALVE -----	1	
		ATTACHING PARTS -----		
-45	NAS561C2-10	PIN-SLOTTED -----	1	
		-----*		
-46	0713158-1	TANK ASSEMBLY-VAPOR SEPARATOR & FUEL ACCUMULATOR -----	1	
		ATTACHING PARTS -----		
	AN4-3A	BOLT -----	8	
	AN960-10L	WASHER -----	8	
		-----*		
	NAS687A3	NUTPLATE -----	8	
	0716110-1	VALVE ASSEMBLY-DRAIN -----	1	D
-47		BODY-VALVE ASSEMBLY -----	NP	
-48	MS29513-10	O RING -----	1	
-49	209AC	POPPET VALVE AADC -----	1	
-50	723A	SPRING AADC -----	1	
-51	MS29513-18	O RING -----	1	
-52	721A7	FITTING AADC -----	1	
-53	MS29513-16	O RING -----	1	
-54	721A8	NUT AADC -----	1	
		A---SERIAL 185-0001 THRU 185-0146		
		B---SERIAL 185-0417 THRU 185-0413		
		C---SERIAL 185-0001 THRU 185-0244		
		D---SERIAL 185-0245 THRU 185-0413		
		E---SERIAL 185-0001 THRU 185-0157		
		F---SERIAL 185-0158 THRU 185-0413		
		G---SERIAL 185-0001 THRU 185-0413		

Fuel System (Cont)



SERIAL 185-0414 & ON

Figure 104. Fuel System Installation

FIGURE AND INDEX NO.	PART NUMBER	DESCRIPTION	UNITS PER ASSY	USABLE ON CODE
		1 2 3 4 5 6 7		
104 -		FUEL SYSTEM INSTALLATION -----	NP	A
- 1		AUXILIARY FUEL PUMPS & STRAINER INSTALLATION SEE FIGURE 108 -	1	
- 2	0716111-1	VALVE-FUEL SEE FIGURE 111 -----	1	
- 3	AN821-6D	ELBOW -----	2	
- 4	0500106-326	LINE ASSEMBLY-FUEL LH LOWER -----	1	
- 5	0500106-322	LINE ASSEMBLY-FUEL RH LOWER -----	1	
- 6	0500106-346	LINE ASSEMBLY-FUEL UPPER -----	2	
		ATTACHING PARTS		
- 7	S1485D6U	CLAMP -----	2	
	S1021Z8-10	SCREW -----	2	
- 8	AN815-6D	UNION -----	2	
		-----*		
- 9	0500106-324	LINE ASSEMBLY-FUEL LH -----	1	
-10	0500106-320	LINE ASSEMBLY-FUEL RH -----	1	
-11	0500106-331	LINE-FUEL VENT -----	1	B
	0700087-10	LINE-FUEL VENT -----	1	C
		ATTACHING PARTS		
-12	S1495-6	HOSE-3.00 IN LG BULK ITEM REF S1495-6-3.00 -----	2	
-13	NAS397-12	CLAMP -----	4	
-14	S1891-10	CLAMP -----	2	
		-----*		
-15	0716108-1	TEE -----	1	
-16	0500106-354	LINE ASSEMBLY-FUEL -----	1	
-17	0500106-321	LINE ASSEMBLY-FUEL -----	1	
		ATTACHING PARTS		
-18	AN742D6	CLAMP -----	2	
	S1021Z8-10	SCREW -----	2	
-19	AN815-6D	UNION -----	1	
		-----*		
-20	0500106-353	LINE ASSEMBLY-FUEL -----	1	
		ATTACHING PARTS		
-21	AN815-6D	UNION -----	1	
-22	MS20822-6D	ELBOW -----	1	
		-----*		
-23	0500106-325	LINE ASSEMBLY-FUEL -----	1	
		ATTACHING PARTS		
-24	AN742D6	CLAMP -----	1	
	S1021Z8-10	SCREW -----	1	
-25	AN815-6D	UNION -----	1	
		-----*		
-26	0500106-363	LINE-FUEL -----	1	
-27	0500106-362	LINE-FUEL -----	1	
		ATTACHING PARTS		
-28	AN824-6D	TEE -----	1	
		-----*		
-29	0500106-332	LINE ASSEMBLY-FUEL -----	1	D
-29A	0700087-15	LINE ASSEMBLY-FUEL -----	1	K
	0700147-11	LINE ASSEMBLY-FUEL -----	1	L
		ATTACHING PARTS		
-30	MS20822-4-4D	ELBOW -----	1	D
	AN924-4D	NUT -----	1	
	AN960-416L	WASHER -----	1	
-30A	MS20823-4D	ELBOW -----	1	E
	AN912-1	ADAPTER -----	1	E
		-----*		
-30B	0700087-16	LINE ASSEMBLY-FUEL -----	1	K
	0700147-12	LINE ASSEMBLY-FUEL -----	1	L
-30C	AN818-4D	NIPPLE -----	1	E
-30D	0850375-1	SWING CHECK VALVE -----	1	E
-30E	AN833-4D	ELBOW -----	1	E
	AN924-4D	NUT -----	1	E
-31	0713158-8	TANK ASSEMBLY-VAPOR SEPARATOR & FUEL ACCUMULATOR -----	1	
		ATTACHING PARTS		
	AN4-3A	BOLT -----	8	
	AN960-10L	WASHER -----	8	
		-----*		
	NAS687A3	NUTPLATE -----	8	
-32	0500106-361	LINE-FUEL -----	1	M
	0700147-13	LINE-FUEL -----	1	N
		ATTACHING PARTS		
-33	MS20822-6D	ELBOW -----	1	
		-----*		

CONTINUED ON NEXT PAGE

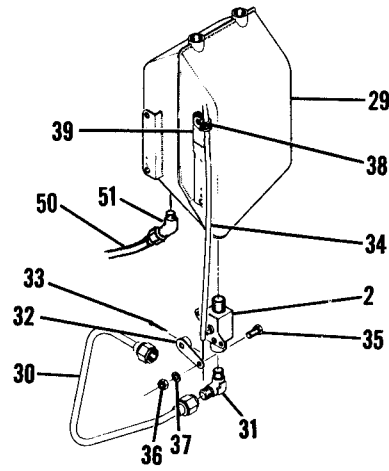
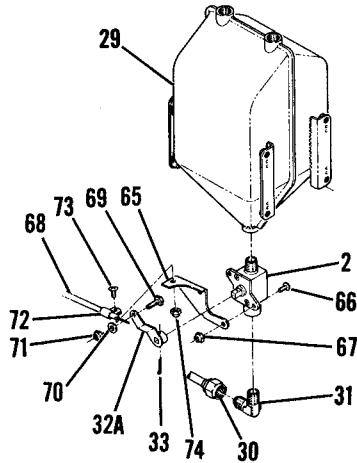
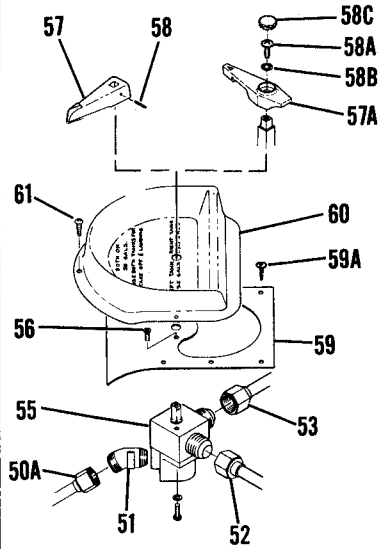


FIGURE AND INDEX NO.	PART NUMBER	DESCRIPTION	UNITS PER ASSY	USABLE ON CODE		
					1	2
104 -34	0716606-1	ARM-FUEL VALVE -----	1	T		
-34A	0716606-6	ARM-FUEL VALVE -----	1	U		
		ATTACHING PARTS				
-35	MS24665-134	PIN-COTTER -----	1			
		---*---				
-36	S1241-8	CONTROL-FUEL VALVE -----	1	F		
	S1241-9	CONTROL-FUEL VALVE -----	1	G		
	S1241-17	CONTROL-FUEL VALVE -----	1	P		
	S1241-38	CONTROL-FUEL VALVE -----	1	S		
		ATTACHING PARTS				
-37	0450311-5	CLAMP -----	1			
-38	MS21044N3	NUT -----	1			
-39	AN960-10	WASHER -----	1			
-40	MS219190G4	CLAMP -----	1			
-41	0550100-6	BRACKET -----	1			
		---*---				
-42	0756001-13	BRACKET-FUEL VALVE CONTROL SUPPORT -----	1	F		
-43	MS20825-6D	TEE -----	2			
	0716110-1	VALVE ASSEMBLY-DRAIN WEU 0716169-1 -----	2	V		
-44		BODY-VALVE ASSEMBLY -----	NP	V		
-45	MS29513-10	O RING -----	1	V		
-46	209AC	POPPET VALVE AADC -----	1	V		
-47	723A	SPRING AADC -----	1	V		
-48	MS29513-18	O RING -----	1	V		
-49	721A7	FITTING AADC -----	1	V		
-50	MS29513-16	O RING -----	1	V		
-51	721A8	NUT AADC -----	1	V		
-51A	0716169-1	VALVE ASSEMBLY-FUEL DRAIN -----	2	W		
		BODY-VALVE -----	NP	W		
-51B	S2020-1	VALVE-FUEL DRAIN INCLUDES GASKET -----	1	W		
-52	S1236-4-0144	HOSE ASSEMBLY -----	1			
-53	S1167-6-0270	HOSE ASSEMBLY -----	1			
-54	MS25253-1	SWITCH -----	1	H		
	S1913-1	ACTUATOR -----	1	H		
	E33-10K	SWITCH & ACTUATOR CYRE -----	1	J		
		ATTACHING PARTS				
	AN515-4R10	SCREW -----	2	J		
	NAS679A04	NUT -----	2	J		
		---*---				
-55	S1592-2A	CLAMP -----	1	Q		
		ATTACHING PARTS				
	S1021Z6-8	SCREW -----	1	Q		
		---*---				
	CM2679-2	TIE STRAP -----	2	R		
	S1930-1	BRACKET -----	1	R		
		ATTACHING PARTS				
	AN525-832R8	SCREW -----	1	R		
	NAS679A08	NUT -----	1	R		
		---*---				
-56	0716632-1	CLAMP BRACKET -----	1	U		
		ATTACHING PARTS				
-57	AN520-10R6	SCREW -----	2	U		
-58	NAS679A3	NUT -----	2	U		
		---*---				

CONTINUED ON NEXT PAGE

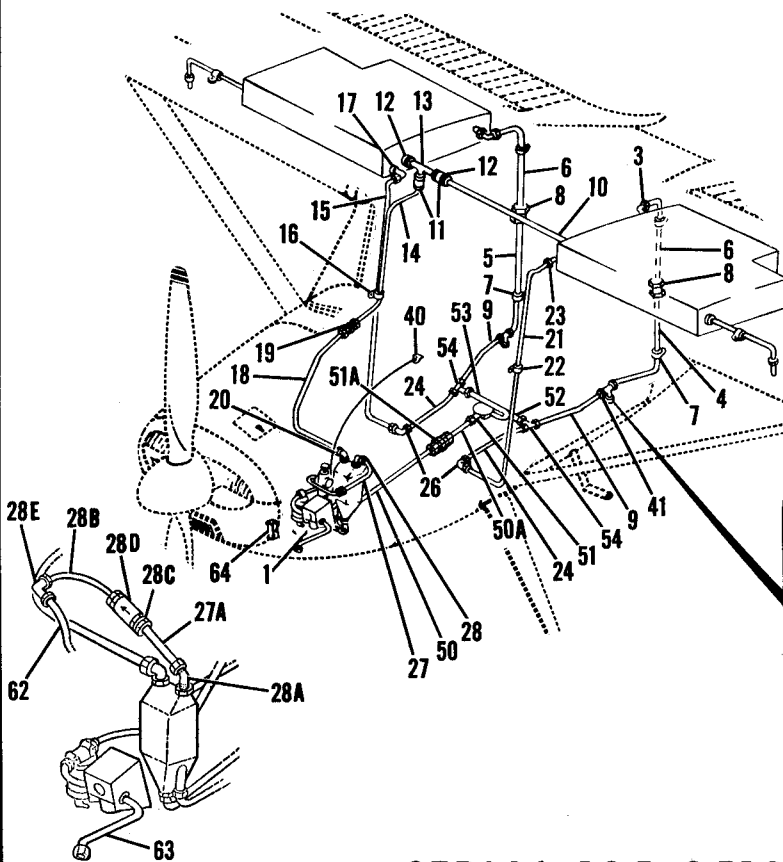
FIGURE AND INDEX NO.	PART NUMBER	DESCRIPTION	UNITS PER ASSY	USABLE ON CODE
104 -59	S1241-40	CONTROL-FUEL VALVE ----- ATTACHING PARTS	1	U
-60	0450311	CLAMP -----	1	U
-61	AN960-10L	WASHER -----	1	U
-62	MS21044N3	NUT -----	1	U
-63	AN742D4	CLAMP -----	1	U
-64	AN520-10R5	SCREW -----	1	U
-65	MS21044N3	NUT -----	1	U
-66	AN742D4	CLAMP -----	2	U
	S1021Z8-8	SCREW -----	2	U
	NAS446-4	NUTPLATE -----	2	U
-67	AN742D4	CLAMP -----	1	U
	S1021Z8-8	SCREW -----	1	U
	S1153-1	NUTPLATE -----	1	U
-68	MS21919DG3	CLAMP -----	1	U
	AN520-10R6	SCREW -----	1	U
	MS21044N3	NUT -----	1	U
		-----*		
		A---SERIAL 185-0414 & ON		
		B---SERIAL 185-0414 THRU 185-0512		
		C---SERIAL 185-0513 & ON		
		D---SERIAL 185-0414 THRU 185-0524		
		E---SERIAL 185-0525 & ON		
		F---SERIAL 185-0414 THRU 185-0776		
		G---SERIAL 185-0777 THRU 185-1300		
		H---SERIAL 185-0414 THRU 185-0967		
		J---SERIAL 185-0968 & ON		
		K---SERIAL 185-0525 THRU 185-0788		
		L---SERIAL 185-0789 & ON		
		M---SERIAL 185-0414 THRU 185-0843		
		N---SERIAL 185-0844 & ON		
		P---SERIAL 185-1301 THRU 185-1599		
		Q---SERIAL 185-0414 THRU 185-1441		
		R---SERIAL 185-1442 & ON		
		S---SERIAL 18501600 THRU 18501679		
		T---SERIAL 185-0414 THRU 18501679		
		U---SERIAL 18501680 & ON		
		V---SERIAL 185-0414 THRU 18501926		
		W---SERIAL 18501927 & ON		

Fuel System (Cont)

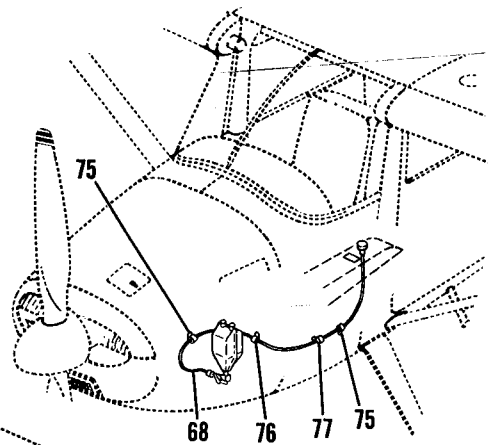


SERIAL 18501680 & ON

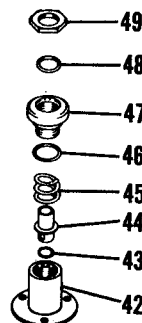
SERIAL 185-0513 THRU 18501679



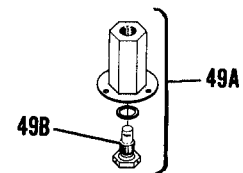
SERIAL 185-0525 & ON



SERIAL 18501680 & ON



SERIAL 185-0513 THRU 18501926



SERIAL 18501927 & ON

SERIAL 185-0513 & ON

Figure 105. Fuel System - Selectable Tank

FIGURE AND INDEX NO.	PART NUMBER	DESCRIPTION							UNITS PER ASSY	USABLE ON CODE
		1	2	3	4	5	6	7		
105 -		FUEL SYSTEM INSTALLATION-SELECTABLE TANK -----							NP	A
- 1		AUXILIARY FUEL PUMPS & STRAINER INSTALLATION SEE -----							1	
		FIGURE 108 -----								
- 2	0716111-1	VALVE-FUEL SEE FIGURE 111 -----							1	
- 3	AN821-6D	ELBOW -----							2	
- 4	0500106-326	LINE ASSEMBLY-FUEL LH LOWER -----							1	
- 5	0500106-322	LINE ASSEMBLY-FUEL RH LOWER -----							1	
- 6	0500106-346	LINE ASSEMBLY-FUEL UPPER -----							2	
		ATTACHING PARTS -----								
- 7	S1485D6U	CLAMP -----							2	
	S1021Z8-10	SCREW -----							2	
- 8	AN815-6D	UNION -----							2	
		-----*								
- 9	0700087-1	LINE ASSEMBLY-FUEL LH -----							2	
-10	0700087-10	LINE-FUEL VENT -----							1	
		ATTACHING PARTS -----								
-11	S1495-6	HOSE-3.00 IN LG BULK ITEM REF S1495-6-3.00 -----							2	
-12	NAS397-12	CLAMP -----							6	
		-----*								
-13	0716108-1	TEE -----							1	
-14	0500106-354	LINE ASSEMBLY-FUEL -----							1	
-15	0500106-321	LINE ASSEMBLY-FUEL -----							1	
		ATTACHING PARTS -----								
-16	AN742D6	CLAMP -----							2	
	S1021Z8-10	SCREW -----							2	
-17	AN815-6D	UNION -----							1	
		-----*								
-18	0500106-353	LINE ASSEMBLY-FUEL -----							1	
		ATTACHING PARTS -----								
-19	AN815-6D	UNION -----							1	
-20	MS20822-6D	ELBOW -----							1	
		-----*								
-21	0500106-325	LINE ASSEMBLY-FUEL -----							1	
		ATTACHING PARTS -----								
-22	AN742D6	CLAMP -----							1	
	S1021Z8-10	SCREW -----							1	
-23	AN815-6D	UNION -----							1	
		-----*								
-24	0700087-2	LINE ASSEMBLY-FUEL -----							2	
-25		DELETED, NEVER USED -----								
		ATTACHING PARTS -----								
-26	AN821-6D	ELBOW -----							1	
		-----*								
-27	0500106-332	LINE ASSEMBLY-FUEL -----							1	B
-27A	0700087-15	LINE ASSEMBLY-FUEL -----							1	F
	0700147-11	LINE ASSEMBLY-FUEL -----							1	G
		ATTACHING PARTS -----								
-28	MS20822-4-4D	ELBOW -----							1	B
	AN924-4D	NUT -----							1	B
	AN960-416L	WASHER -----							1	B
-28A	MS20823-4D	ELBOW -----							1	C
	AN912-1	ADAPTER -----							1	C
		-----*								
-28B	0700087-16	LINE ASSEMBLY-FUEL -----							1	F
	0700147-12	LINE ASSEMBLY-FUEL -----							1	G
-28C	AN816-4D	NIPPLE -----							1	C
-28D	0850375-1	SWING CHECK VALVE -----							1	C
-28E	AN833-4D	ELBOW -----							1	C
	AN924-4D	NUT -----							1	C
-29	0713158-9	TANK ASSEMBLY-VAPOR SEPARATOR & FUEL ACCUMULATOR -----							1	
		ATTACHING PARTS -----								
	AN3-3A	BOLT -----							8	
	AN960-10L	WASHER -----							8	
		-----*								
	NAS682A3	NUTPLATE -----							8	
-30	0500106-361	LINE-FUEL -----							1	H
	0700147-13	LINE-FUEL -----							1	J
-31	MS20822-6D	ELBOW -----							1	
-32	0716606-1	ARM-FUEL VALVE -----							1	R
-32A	0716606-6	ARM-FUEL VALVE -----							1	S
		ATTACHING PARTS -----								
-33	MS24665-145	PIN-COTTER -----							1	
		-----*								

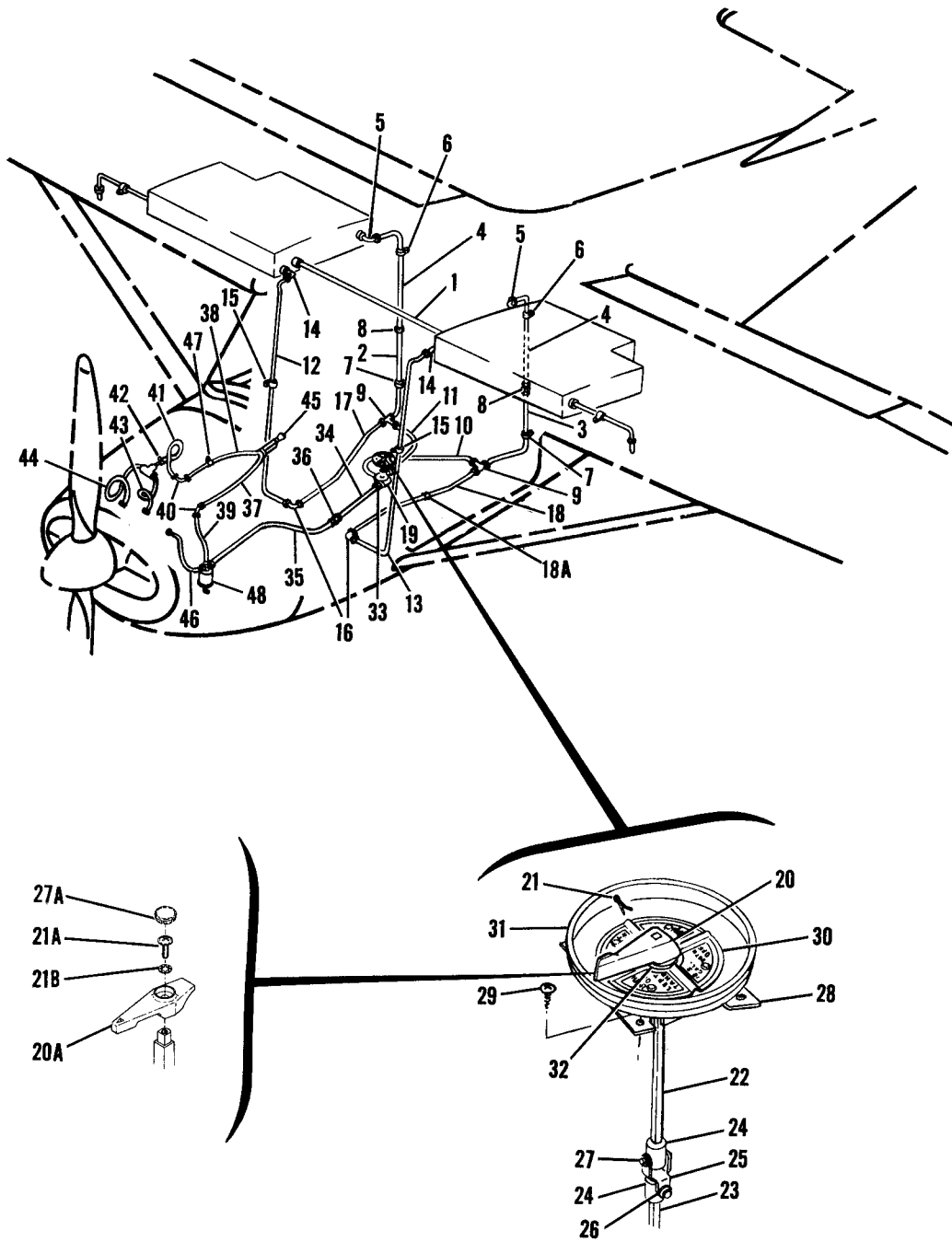
CONTINUED ON NEXT PAGE

FIGURE AND INDEX NO.	PART NUMBER	DESCRIPTION							UNITS PER ASSY	USABLE ON CODE
		1	2	3	4	5	6	7		
105 -34	S1241-8 S1241-9 S1241-17 S1241-38	CONTROL-FUEL VALVE -----							1	D
		CONTROL-FUEL VALVE -----							1	N
		CONTROL-FUEL VALVE -----							1	Q
		CONTROL-FUEL VALVE -----							1	E
		ATTACHING PARTS								
-35	0450311	CLAMP -----							1	
-36	MS21044N3	NUT -----							1	
-37	AN960-10L	WASHER -----							1	
-38	MS219190G4	CLAMP -----							1	
-39	0550100-6	BRACKET -----							1	
		---*---								
-40	0756001-13	BRACKET-FUEL VALVE CONTROL SUPPORT -----							1	D
-41	MS20825-6D 0716110-1	TEE -----							2	
		VALVE ASSEMBLY-DRAIN WEU 0716169-1 -----							2	T
-42		BODY-VALVE ASSEMBLY -----							NP	T
-43	MS29513-10	O RING -----							1	T
-44	209AC	POPPET VALVE AADC -----							1	T
-45	723A	SPRING AADC -----							1	T
-46	MS29513-18	O RING -----							1	T
-47	721A7	FITTING AADC -----							1	T
-48	MS29513-16	O RING -----							1	T
-49	721A8	NUT AADC -----							1	T
-49A	0716169-1	VALVE ASSEMBLY-FUEL DRAIN -----							2	U
		BODY-VALVE -----							NP	U
-49B	S2020-1	VALVE-FUEL DRAIN INCLUDES GASKET -----							1	U
-50	0700087-13	LINE-FUEL -----							1	
-50A	0700087-13	LINE-FUEL -----							1	
-51	MS20823-8D	ELBOW -----							2	
-51A	AN515-8D	UNION -----							1	
-52	0700087-4	LINE-FUEL LH -----							1	
-53	0700087-5	LINE-FUEL RH -----							1	
		ATTACHING PARTS								
-54	AN917-3D	TEE -----							1	
	AN816-6-6D	NIPPLE -----							2	
	AN816-8D	NIPPLE -----							1	
		---*---								
-55	0716613-3 0716613-4	VALVE-FUEL TANK SELECTOR -----							1	M
		VALVE-FUEL TANK SELECTOR -----							1	P
		ATTACHING PARTS								
-56	AN515-10R5 AN960PD10L	SCREW -----							2	
		WASHER -----							2	
		---*---								
-57	0716612-204	HANDLE-FUEL VALVE -----							1	M
-57A	0716623-2	HANDLE-FUEL VALVE -----							1	P
		ATTACHING PARTS								
-58	NAS561P2-10	ROLL PIN -----							1	M
-58A	AN525-8R7	SCREW -----							1	P
-58B	AN936A8	WASHER -----							1	P
		---*---								
-58C	0716624-1	COVER-FUEL SELECTOR HANDLE -----							1	P
-59	0716115-1	COVER PLATE -----							1	V
	0716115-2	COVER PLATE -----							1	W
		ATTACHING PARTS								
-59A	S1021Z8-6	SCREW -----							6	V
	S1021Z8-6	SCREW -----							8	W
	NAS395-16-3	NUT -----							6	V
	NAS395-16-3	NUT -----							8	W
		---*---								

CONTINUED ON NEXT PAGE

FIGURE AND INDEX NO.	PART NUMBER		DESCRIPTION	UNITS PER ASSY	USABLE ON CODE
		1 2 3 4 5 6 7			
105 -60	0716114-1	□	COVER-FUEL TANK SELECTOR STANDARD TANKS -----	1	
	0716114-3	□	COVER-FUEL TANK SELECTOR LONG RANGE TANKS -----	1	
			ATTACHING PARTS		
-61	S1021Z8-8C		SCREW -----	3	
			*-----		
-62	S1236-4-0144		HOSE ASSEMBLY -----	1	
-63	S1167-6-0270		HOSE ASSEMBLY -----	1	
-64	MS25253-1		SWITCH-THROTTLE -----	1	K
	S1913-1		ACTUATOR -----	1	K
	E33-10K		SWITCH & ACTUATOR-THROTTLE GYRE -----	1	L
			ATTACHING PARTS		
	AN515-4R10		SCREW -----	2	L
	NAS679A04		NUT -----	2	L
	0750232-1		ARM RETAINER-MICROSWITCH -----	1	X
			*-----		
-65	0716632-2		CLAMP BRACKET -----	1	S
			ATTACHING PARTS		
-66	AN520-10R6		SCREW -----	2	S
-67	MS21044N3		NUT -----	2	S
			*-----		
-68	S1241-40		CONTROL-FUEL VALVE -----	1	S
			ATTACHING PARTS		
-69	0450311		CLAMP -----	1	S
-70	AN960-10L		WASHER -----	1	S
-71	MS21044N3		NUT -----	1	S
-72	AN742D4		CLAMP -----	1	S
-73	AN520-10R5		SCREW -----	1	S
-74	MS21044N3		NUT -----	1	S
-75	AN742D4		CLAMP -----	2	S
	S1021Z8-8		SCREW -----	2	S
	NAS446-4		NUTPLATE -----	2	S
-76	AN742D4		CLAMP -----	1	S
	S1021Z8-8		SCREW -----	1	S
	S1153-1		NUTPLATE -----	1	S
-77	MS21919DG3		CLAMP -----	1	S
	AN520-10R6		SCREW -----	1	S
	MS21044N3		NUT -----	1	S
			*-----		
<p>NOTE. □THIS PART NUMBER MUST HAVE A SECOND DASH NUMBER ADDED TO DENOTE COLOR. REFER TO HOW TO ORDER INTERIOR PARTS-PAGE XIII.</p> <p>A---SERIAL 185-0513 & ON B---SERIAL 185-0513 THRU 185-0524 C---SERIAL 185-0525 & ON D---SERIAL 185-0513 THRU 185-0776 E---SERIAL 18501600 THRU 18501679 F---SERIAL 185-0525 THRU 185-0788 G---SERIAL 185-0789 & ON H---SERIAL 185-0414 THRU 185-0843 J---SERIAL 185-0844 & ON K---SERIAL 185-0414 THRU 185-0967 L---SERIAL 185-0968 THRU 18502007, 18502026, 18502027 M---SERIAL 185-0513 THRU 185-1300 N---SERIAL 185-0777 THRU 185-1300 P---SERIAL 185-1301 & ON Q---SERIAL 185-1301 THRU 185-1599 R---SERIAL 185-0513 THRU 18501679 S---SERIAL 18501680 & ON T---SERIAL 185-0513 THRU 18501926 U---SERIAL 18501927 & ON V---SERIAL 185-0513 THRU 18501943 W---SERIAL 18501944 & ON X---SERIAL 18501916 THRU 18502007, 18502026, 18502027</p>					

Fuel System (Cont)



SERIAL 18051184 & ON

Figure 106. Fuel System Installation



FIGURE AND INDEX NO.	PART NUMBER	DESCRIPTION	UNITS PER ASSY	USABLE ON CODE		
					1	2
106 -		FUEL SYSTEM INSTALLATION -----	NP	A		
- 1	0700087-9	LINE-LEFT TANK TO RIGHT TANK VFNT -----	1			
	S1891-10	ATTACHING PARTS -----				
		CLAMP -----	2			
- 2	0500106-322	LINE ASSEMBLY-FUEL RH LOWER AFT -----	1			
- 3	0500106-326	LINE ASSEMBLY-FUEL LH LOWER AFT -----	1			
- 4	0500106-346	LINE ASSEMBLY-FUEL UPPER AFT -----	2			
		ATTACHING PARTS -----				
- 5	AN821-60	ELBOW -----	1			
	S1485D6U	CLAMP -----	2			
- 6	S1021Z6-6	SCREW UPPER CLAMP -----	2			
- 7	S1021Z8-8	SCREW LOWER CLAMP -----	2			
		-----*				
- 8	AN815-60	UNION -----	2			
- 9	AN824-60	TEE -----	2			
-10	0500106-359	LINE-FUEL LH TEE TO FUEL SELECTOR -----	1			
	0700087-12	LINE-FUEL LH TEE TO FUEL SELECTOR -----	1			
		CENTER LINE CAMERA INSTALLATION ONLY -----				
-11	0500106-358	LINE-FUEL RH TEE TO FUEL SELECTOR -----	1			
-12	0500106-321	LINE-FUEL RH TANK TO ELBOW FORWARD -----	1			
-13	0500106-325	LINE-FUEL LH TANK TO ELBOW FORWARD -----	1			
		ATTACHING PARTS -----				
-14	AN815-60	UNION -----	1			
-15	AN742D6	CLAMP TIN -----	1			
	S1021Z8-8	SCREW -----	1			
		-----*				
-16	AN821-60	ELBOW -----	2			
-17	0500106-320	LINE-FUEL RH ELBOW TO TEE -----	1			
-18	0500106-324	LINE-FUEL LH ELBOW TO TEE -----	1			
		ATTACHING PARTS -----				
-18A	S1592-2A	CLAMP UC -----	1			
	S1021Z6-8	SCREW -----	1			
		-----*				
-19	0311070-1	VALVE ASSEMBLY-FUEL SELECTOR SEE FIGURE 112 -----	1			
		ATTACHING PARTS -----				
	AN515-8R8	SCREW -----	2			
		-----*				
	0511157-20	HANDLE ASSEMBLY-FUEL SELECTOR -----	1	J		
	0713316-1	HANDLE ASSEMBLY-FUEL SELECTOR -----	1	K		
-20	0716612-202	HANDLE-FUEL SELECTOR -----	1	J		
-20A	0716623-2	HANDLE-FUEL SELECTOR -----	1	K		
		ATTACHING PARTS -----				
-21	NAS561-2-10	PIN-SLOTTED -----	1	J		
-21A	AN525-8R7	SCREW -----	1	K		
-21B	AN936A8	WASHER -----	1	K		
		-----*				
-22	0511157-18	SHAFT-UPPER -----	1	J		
	0713316-2	SHAFT-UPPER -----	1	K		
-23	0511157-17	SHAFT-LOWER -----	1			
-24	0511194-4	PIVOT -----	2			
		ATTACHING PARTS -----				
-25	0511127	SPACER -----	1			
-26	AN960-6	WASHER -----	2			
-27	0425134	PTN -----	1			
		-----*				
-27A	0716624-1	COVER-FUEL SELECTOR HANDLE -----	1	K		
-28	0716102	BRACKET-FUEL SELECTOR -----	1			
		ATTACHING PARTS -----				
-29	AN515-8R8	SCREW -----	4			
		-----*				
-30	S1286-3	PLATE ASSEMBLY-FUEL SELECTOR 60 GAL BLACK -----	1			
	S1286-1	PLATE ASSEMBLY-FUEL SELECTOR 60 GAL BROWN -----	1			
	S1286-4	PLATE ASSEMBLY-FUEL SELECTOR 79 GAL BLACK -----	1			
	S1286-2	PLATE ASSEMBLY-FUEL SELECTOR 79 GAL BROWN -----	1			
-31	0511198	CUP -----	1			
-32	0511195	GUIDE-SHAFT -----	1	J		
-33	0511196-1	ADAPTER-FUEL SELECTOR VALVE -----	3			
	MS20913-1	PLUG -----	1			
-34	0500106-99	LINE-FUEL SELECTOR VALVE TO UNION -----	1			
-35	0500106-205	LINE-FUEL UNION TO FUEL STRAINER -----	1			

CONTINUED ON NEXT PAGE

FIGURE AND INDEX NO.	PART NUMBER	DESCRIPTION							UNITS PER ASSY	USABLE ON CODE
		1	2	3	4	5	6	7		
106 -36	AN815-8D	UNION -----							1	
-37	0500106-121	LINE PRIMER TO FIREWALL LH -----							1	B
	0700087-29	LINE-PRIMER TO FIREWALL LH WHEN -----							1	C
		EXHAUSTED USE 0700147-51								
	0700147-51	LINE-PRIMER TO FIREWALL LH -----							1	C
-38	0500106-122	LINE PRIMER TO FIREWALL RH -----							1	B
	0700087-30	LINE-PRIMER TO FIREWALL RH WHEN -----							1	C
		EXHAUSTED USE 0700147-52								
	0700147-52	LINE-PRIMER TO FIREWALL RH -----							1	C
-39	0500106-202	LINE-PRIMER STRAINER TO FIREWALL FITTING -----							1	F
	0700147-14	LINE-PRIMER STRAINER TO FIREWALL FITTING -----							1	G
	0700147-17	LINE-PRIMER STRAINER TO FIREWALL FITTING -----							1	H
		WHEN EXHAUSTED USE 0700147-47								
	0700147-47	LINE-PRIMER STRAINER TO FIREWALL FITTING -----							1	H
		ATTACHING PARTS								
-40	AN833-2D	ELBOW -----							2	
	AN960D516	WASHER -----							2	
	AN924-2D	NUT -----							2	
		*-----								
-41	0500106-133	LINE-PRIMER FIREWALL TO BAFFLES WHEN -----							1	D
		EXHAUSTED USE 0700099-82								
	0700099-82	LINE-PRIMER FIREWALL TO BAFFLES -----							1	D
		ATTACHING PARTS								
-42	MS21919DG2	CLAMP -----							1	
	S1021Z8-6	SCREW -----							1	
	NAS446-4-3	NUT -----							1	
		*-----								
-43	0500106-196	LINE-PRIMER -----							1	D
-44	0500106-197	LINE-PRIMER -----							1	D
		PRIMER LINES SEE FIGURE 118A -----							NP	E
-45	0311538-12	PRIMER ASSEMBLY WHEN EXHAUSTED USE C291502-0101 -----							1	J
	C291502-0101	PRIMER ASSEMBLY-ENGINE -----							1	L
	C291502-0103	PRIMER ASSEMBLY-ENGINE -----							1	M
	S1240-5	KNOB-PRIMER -----							1	J
	S1752-1	KNOB -----							1	L
	S1974-1	KNOB -----							1	M
-46	S1167-8-0120	HOSE ASSEMBLY FUEL STRAINER TO CARBURETOR -----							1	
		ATTACHING PARTS								
	AN915-2	ELBOW -----							1	
		*-----								
-47	MS21919DG2	CLAMP -----							1	B
	S1155-2	CLAMP -----							2	C
		ATTACHING PARTS								
	NAS446-4-3	NUT -----							1	
	S1021Z8-6	SCREW -----							1	
		*-----								
-48		STRAINER INSTALLATION SEE FIGURES 110 & 110A -----							1	
		A---SERIAL 18051184 & ON								
		B---SERIAL 18051184 THRU 18051445								
		C---SERIAL 18051446 & ON								
		D---SERIAL 18051184 THRU 18051312								
		E---SERIAL 18051313 & ON								
		F---SERIAL 18051184 THRU 18051496								
		G---SERIAL 18051497 THRU 18051774								
		H---SERIAL 18051775 & ON								
		J---SERIAL 18051184 THRU 18051875								
		K---SERIAL 18051876 & ON								
		L---SERIAL 18051876 THRU 18052103								
		M---SERIAL 18052104 & ON								

This page intentionally left blank.

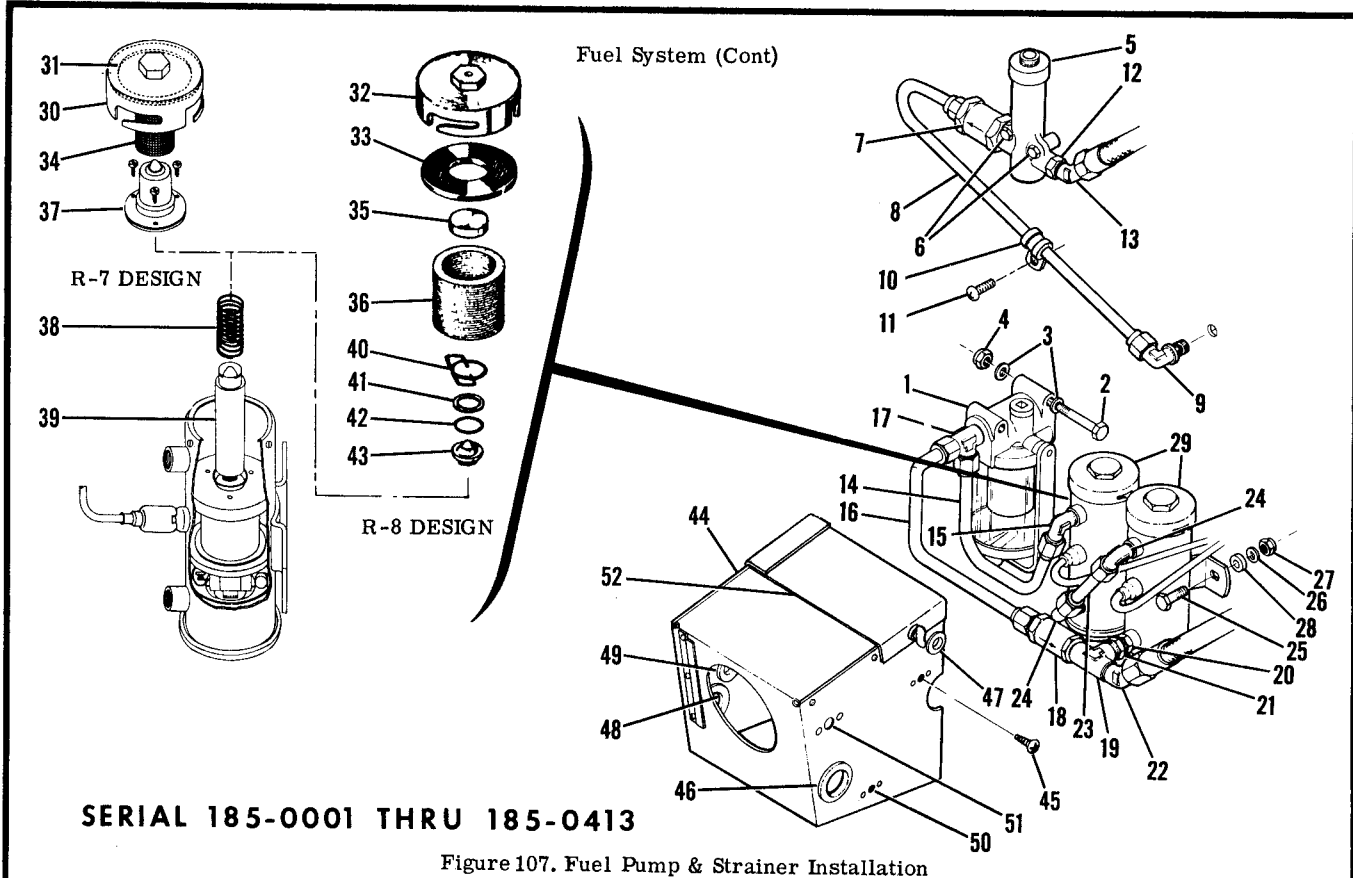
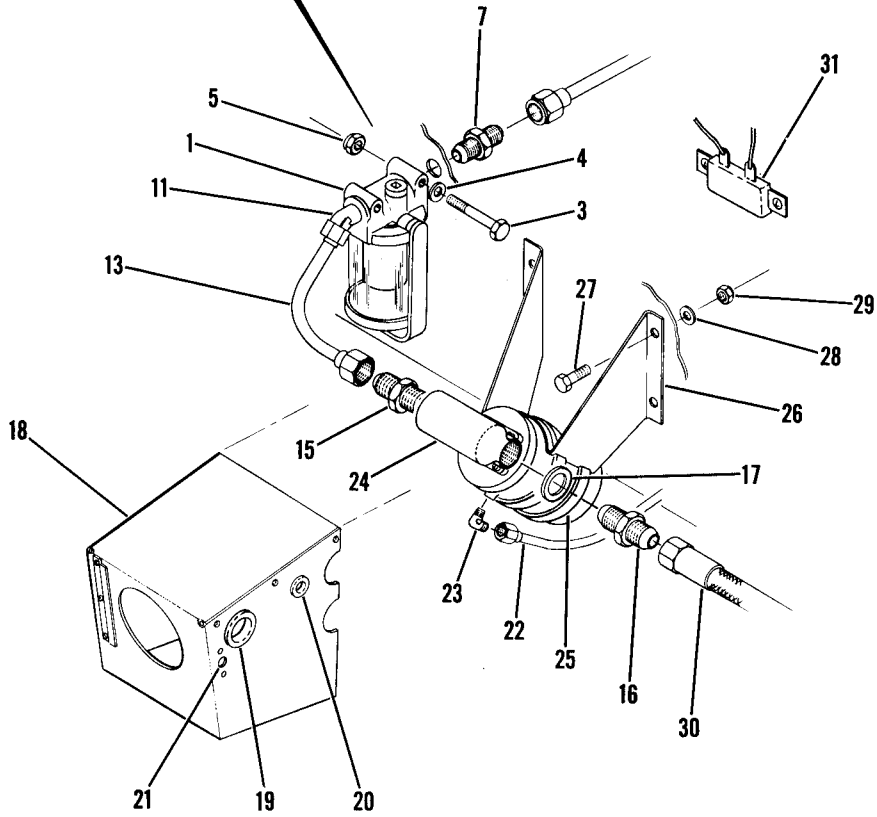
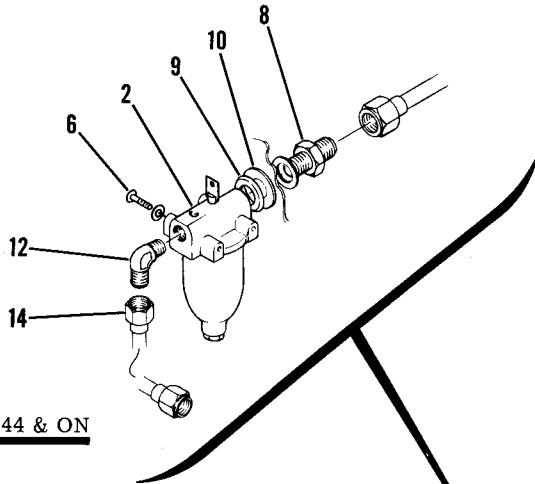


FIGURE AND INDEX NO.	PART NUMBER	DESCRIPTION	UNITS	USABLE
			PER ASSY	ON CODE
107 -		1 2 3 4 5 6 7		
- 1	0511199-45	AUXILIARY FUEL PUMPS & STRAINER INSTALLATION ----- STRAINER ASSEMBLY-FUEL SEE FIGURE 109 ----- ATTACHING PARTS -----	NP 1	A
- 2	AN4-13A	BOLT -----	2	
- 3	AN960-416L	WASHER -----	4	
- 4	NAS679A4	NUT ----- -----*	2	
- 5	AV2B1371 A76	VALVE-SOLENOID GCO ----- VALVE-SOLENOID HFP ALT ----- ATTACHING PARTS -----	1 1	
- 6	AN3-14A NAS43DD3-24 NAS679AA3	BOLT ----- SPACER ----- NUT ----- -----*	2 2 2	
- 7	1111-517700 MS29512-4	VALVE-CHECK PAET ----- GASKET -----	1 1	
- 8	0500106-337	LINE ASSEMBLY-FUEL ----- ATTACHING PARTS -----	1	
- 9	AN833-4D	ELBOW -----	1	
-10	AN742D4	CLAMP -----	1	
-11	S1021Z8-10 NAS446-4-3	SCREW ----- NUT ----- -----*	1 1	
CONTINUED ON NEXT PAGE				

FIGURE AND INDEX NO.	PART NUMBER	DESCRIPTION	UNITS PER ASSY	USABLE ON CODE
		1 2 3 4 5 6 7		
107 -12	AN924-4D	NUT -----	1	
-13	AN833-4D	ELBOW -----	1	
-14	0500106-335	LINE ASSEMBLY-FUEL ----- ATTACHING PARTS	1	
-15	MS20822-6-2D	ELBOW ----- ---*---	1	
-16	0500106-334	LINE ASSEMBLY-FUEL ----- ATTACHING PARTS	1	
-17	MS20826-6D	TEE ----- ---*---	1	
-18	485-6D	VALVE-CHECK REPM -----	1	
-19	AN917-2D	TEE -----	1	
-20	AN911-1D	NIPPLE -----	1	
-21	AN912-1D	BUSHING -----	1	
-22	MS20823-6D	ELBOW -----	1	
-23	0500106-336	LINE ASSEMBLY-FUEL ----- ATTACHING PARTS	1	
-24	MS20822-6-2D	ELBOW ----- ---*---	2	
-25	AN4-5A	BOLT -----	3	
-26	AN960-416L	WASHER -----	3	
-27	NAS679A4	NUT -----	3	
-28	S355-1	SPACER -----	1	
-29	I216012-1	PUMP-FUEL -----	2	
-30	ECM476563	* COVER & GASKET ASSEMBLY ECM -----	1	
-31	ECM475594	* GASKET-COVER ECM -----	1	
-32	ECM479130	# COVER ECM -----	1	
-33	ECM479136	# GASKET-COVER ECM -----	1	
-34	ECM475634	* SCREEN ECM -----	1	
-35	ECM479012	# MAGNET ECM -----	1	
-36	ECM479135	# FILTER ECM -----	1	
-37	ECM476364	* CUP-PLUNGER SPRING ECM -----	1	
-38	ECM475127	* SPRING-PLUNGER ECM -----	1	
-39	ECM476474	* PLUNGER ASSEMBLY ECM -----	1	
-40	ECM479137	# RETAINER ECM -----	1	
-41	ECM479138	# WASHER ECM -----	1	
-42	ECM479139	# O RING ECM -----	1	
-43	ECM479132	# CUP VALVE ECM -----	1	
-44	0716104-1	SHIELD ASSEMBLY-AUXILIARY PUMP ----- ATTACHING PARTS	1	
-45	S1021Z10-10	SCREW ----- ---*---	4	
-46	MS35489-17	GROMMET -----	1	
-47	MS35489-6	GROMMET -----	1	
-48	MS35489-20	GROMMET -----	1	
-49	MS35489-14S	GROMMET -----	1	
-50	NAS444-8-3	NUTPLATE -----	3	
-51	312-12	RECEPTACLE CAMLOC -----	2	
-52	0716104-2	COVER ASSEMBLY -----	1	
	2857-4	STUD CAMLOC -----	1	
	26R8-2	SHIM-RECEPTACLE -----	1	
		NOTE. *PARTS MARKED WITH ASTERISK ARE BENDIX R-7 DESIGN.		
		NOTE. #PARTS MARKED WITH POUND SIGN ARE BENDIX R-8 DESIGN.		
		A---SERIAL 185-0001 THRU 185-0413		

Fuel System (Cont)

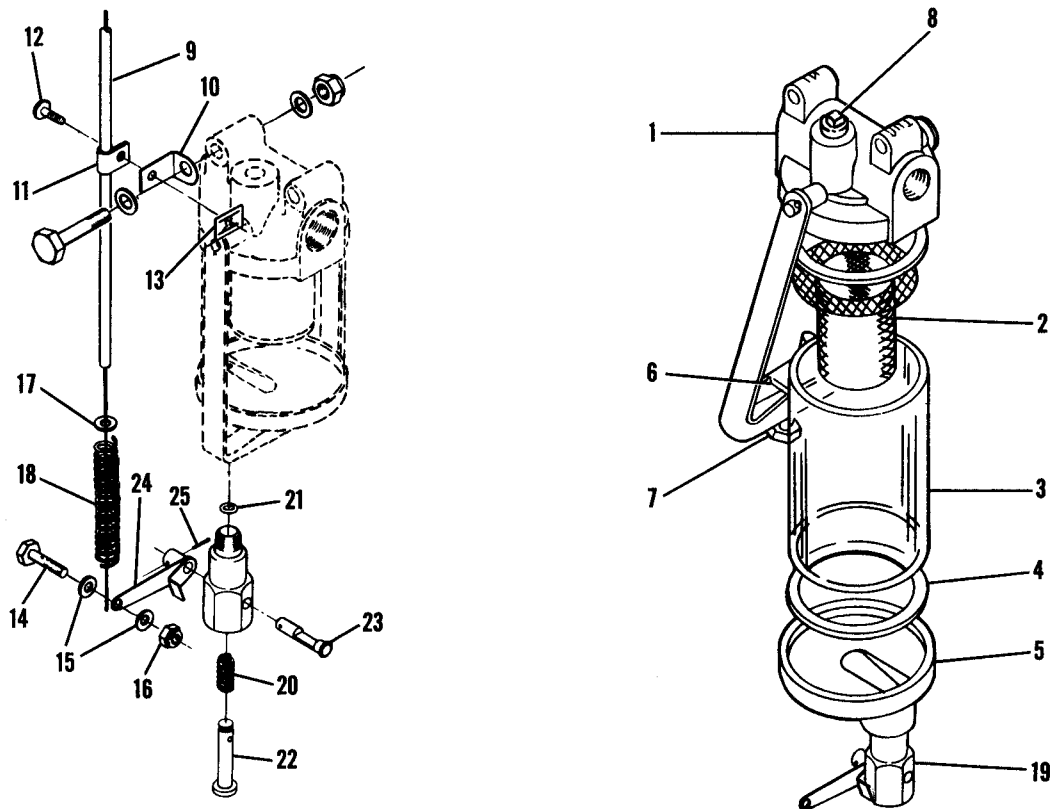


SERIAL 185-0414 & ON

Figure 108. Auxillary Fuel Pump & Strainer Installation

FIGURE AND INDEX NO.	PART NUMBER	DESCRIPTION	UNITS PER ASSY	USABLE ON CODE
108 -		AUXILLARY FUEL PUMP & STRAINER INSTALLATION -----	NP	A
- 1	0511199-45	STRAINER ASSEMBLY-FUEL SEE FIGURE 109 -----	1	B
- 2	0756005-3	STRAINER ASSEMBLY-FUEL SEE FIGURE 110A -----	1	C
		ATTACHING PARTS		
- 3	AN4-13A	BOLT -----	2	B
- 4	AN960-416L	WASHER -----	2	B
- 5	NAS679A4	NUT -----	2	B
- 6	MS20074-03-3	BOLT -----	2	C
	AN936A10	WASHER -----	2	C
		*-----		
- 7	AN816-6D	NIPPLE -----	1	B
- 8	AN816-6-6D	NIPPLE -----	1	C
	0513186-1	SHIELD -----	1	B
- 9	0750032-1	SHIELD -----	1	C
	AN960-616L	WASHER -----	1	B
	S354-2	GROMMET -----	1	B
-10	S354-3	GROMMET -----	1	C
-11	MS20823-6D	ELBOW -----	1	B
-12	MS20822-6-6D	ELBOW -----	1	C
-13	0700087-7	LINE ASSEMBLY-FUEL -----	1	B
-14	0700147-15	LINE ASSEMBLY-FUEL -----	1	C
-15	AN815-6D	UNION -----	1	
-16	AN832-6D	UNION -----	1	
-17	MS29512-6	GASKET -----	2	
-18	0716130-1	SHIELD ASSEMBLY -----	1	
		ATTACHING PARTS		
	S1021210-10	SCREW -----	3	
		*-----		
-19	MS35489-17	GROMMET -----	2	
-20	MS35489-6	GROMMET -----	2	
-21	312-12	RECEPTACLE CLC -----	1	
	26R8-2	SHIM-RECEPTACLE CLC -----	1	
-22	0700087-8	LINE ASSEMBLY-FUEL -----	1	
-23	TF10052	ELBOW -----	1	
-24	4140-00-17	PUMP-FUEL DUKA -----	1	
		ATTACHING PARTS		
-25	AN737TW91	CLAMP -----	2	
-26	0716129-1	BRACKET -----	1	
-27	AN4-5A	BOLT -----	4	
-28	AN960-416L	WASHER -----	4	
-29	NAS679A4	NUT -----	4	
		*-----		
-30	S1167-6-0270	HOSE ASSEMBLY-FUEL TO ENGINE PUMP -----	1	
-31	MOR20-2	RESISTOR FUEL PUMP -----	1	
		ATTACHING PARTS		
	AN515-6R8	SCREW -----	2	
		*-----		
		A---SERIAL 185-0414 & ON B---SERIAL 185-0414 THRU 185-0843 C---SERIAL 185-0844 & ON		

Fuel System (Cont)



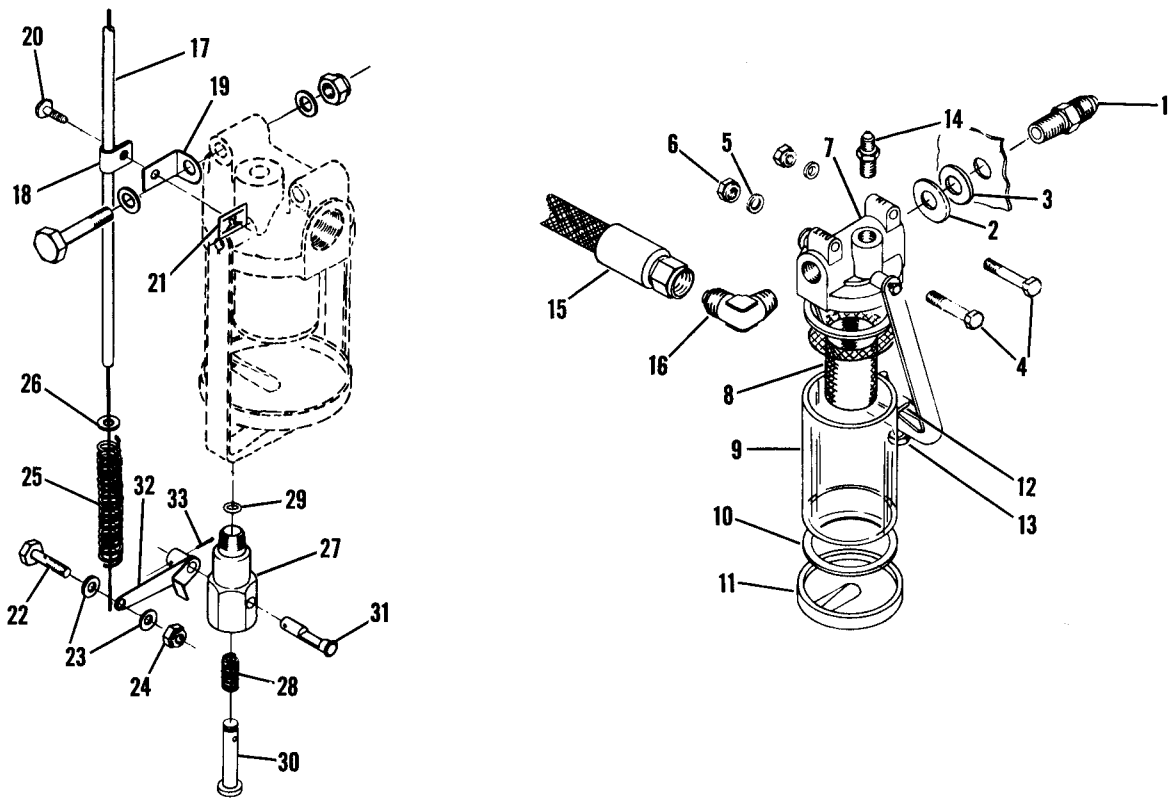
SERIAL 185-0001 THRU 185-0843

Figure 109. Fuel Strainer Assembly & Drain Installation.



FIGURE AND INDEX NO.	PART NUMBER	DESCRIPTION	UNITS PER ASSY	USABLE ON CODE
		1 2 3 4 5 6 7		
109 -		FUEL STRAINER ASSEMBLY & DRAIN INSTALLATION -----	NP	A
		STRAINER ASSEMBLY -----	1	
- 1	0511199-45	BODY ASSEMBLY-FUEL STRAINER GARW -----	1	
- 2	33-199-71	SCREEN ASSEMBLY GARW -----	1	
- 3	33-199-5	GLASS BOWL GARW -----	1	
- 4	33-199-6	GASKET GARW -----	2	
- 5	33-199-1	CAP GARW -----	1	
- 6	33-199-8	NUT GARW -----	1	
- 7	33-199-45B	SCREW-SET GARW -----	1	
- 8	MS20913-1D	PLUG -----	1	
- 9	S1239-4	CONTROL ASSEMBLY-STRAINER DRAIN REF S1239-12 -----	1	
	S1239-13	CONTROL ASSEMBLY-STRAINER DRAIN FLOATPLANE CP -----	1	
		ATTACHING PARTS -----		
-10	0756001-3	SUPPORT -----	1	
-11	AN742D3	CLAMP -----	1	
-12	S1021Z8-6	SCREW -----	1	
-13	NAS446-4-3	NUT -----	1	
-14	0450311	CLAMP -----	1	
-15	AN960-10	WASHER -----	2	
-16	MS21044N3	NUT -----	1	
		---*---		
-17	AN960-2	WASHER -----	1	
-18	0756002	SPRING -----	1	
-19	0511199-41	VALVE-DRAIN -----	1	
-20	0851583-3	SPRING -----	1	
-21	MS29513-7	O RING -----	1	
-22	0851583-2	PLUNGER -----	1	
-23	0851592-1	SHAFT -----	1	
-24	0756001-8	LEVER -----	1	
-25	MS24665-281	PIN-COTTER -----	1	
		A---SERIAL 185-0001 THRU 185-0843		

Fuel System (Cont)

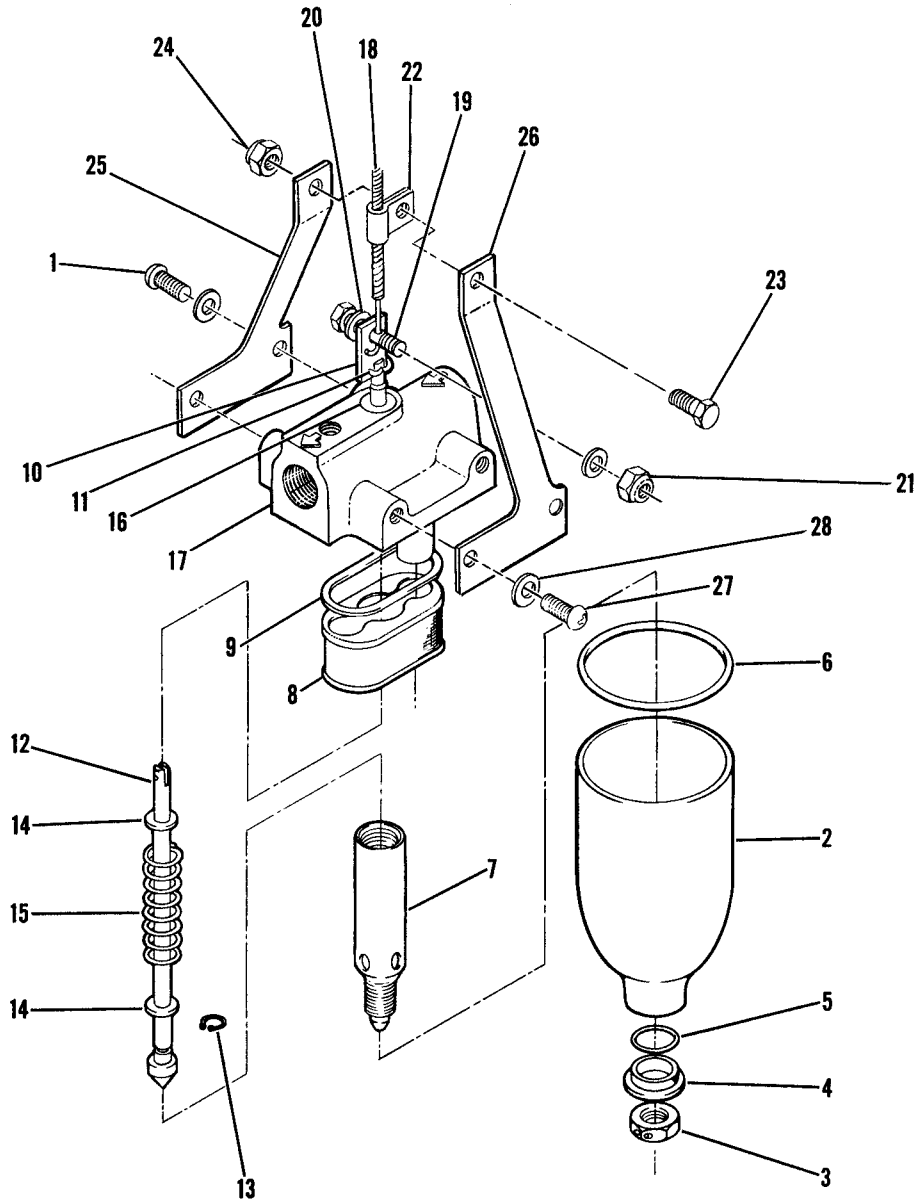


SERIAL 18051184 THRU 18051496

Figure 110. Fuel Strainer & Drain Installation

FIGURE AND INDEX NO.	PART NUMBER	DESCRIPTION	UNITS PER ASSY	USABLE ON CODE
110 -		FUEL STRAINER ASSEMBLY & DRAIN INSTALLATION -----	NP	A
- 1	AN816-8D	NIPPLE -----	1	
- 2	0750032-1	SHIELD -----	2	
- 3	S354-3	GROMMET -----	1	
	0511199-22	STRAINER ASSEMBLY-FUEL GARWIN 33-199 -----	1	
		ATTACHING PARTS		
- 4	AN4-13A	BOLT -----	2	
- 5	AN960-416L	WASHER -----	2	
- 6	NAS679A4	NUT -----	2	
		-----*		
- 7	33-199-902	BODY ASSEMBLY-FUEL STRAINER -----	1	
- 8	33-199-4	SCREEN ASSEMBLY GARW -----	1	
- 9	33-199-5	BOWL-GLASS GARW -----	1	
-10	33-199-6	GASKET GARW -----	2	
-11	33-199-1	CAP GARW -----	1	
-12	33-199-8	NUT GARW -----	1	
-13	33-199-45B	SCREW-SET GARW -----	1	
-14	AN816-2D	NIPPLE -----	1	
-15	S1167-8-0120	HOSE -----	1	
-16	MS20822-2D	ELBOW -----	1	
-17	S1239-4	CONTROL-STRAINER DRAIN VALVE REF S1239-12 -----	1	
	S1239-24	CONTROL ASSEMBLY-STRAINER DRAIN FLOATPLANE CP -----	1	
		ATTACHING PARTS		
-18	AN742D3	CLAMP -----	1	
-19	0756001-3	ANGLE -----	1	
-20	S102128-8	SCREW -----	1	
-21	NAS446-4-3	NUT TIN A1778-8Z-3 -----	1	
	AN742D3	CLAMP -----	1	
	NAS446-4-3	NUT TIN A1778-8Z-3 -----	1	
		-----*		
-22	0450311	CLAMP -----	1	
-23	AN960-10	WASHER -----	3	
-24	MS21044N3	NUT -----	3	
-25	0756002	SPRING -----	1	
-26	AN960-2	WASHER -----	2	
-27	0511199-41	DRAIN VALVE ASSEMBLY -----	1	
-28	0851583-3	SPRING -----	1	
-29	MS29513-7	O RING -----	1	
-30	0851583-2	PLUNGER -----	1	
-31	0851592-1	SHAFT -----	1	
-32	0756001-8	LEVER -----	1	
-33	MS24665-281	PIN-COTTER -----	1	
		A---SERIAL 18051184 THRU 18051496		

Fuel System (Cont)



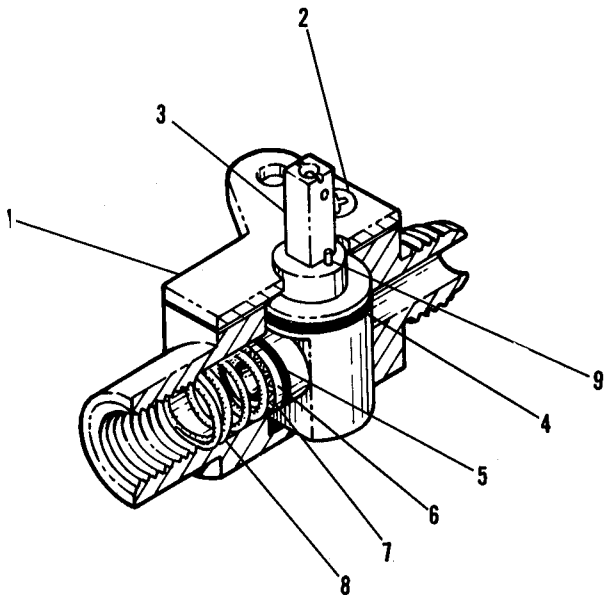
SERIAL 185-0844 & ON
SERIAL 18051497 & ON

Figure 110A. Fuel Strainer & Drain Control Installation



FIGURE AND INDEX NO.	PART NUMBER	DESCRIPTION	UNITS PER ASSY	USABLE ON CODE
110A-		FUEL STRAINER & DRAIN CONTROL INSTALLATION -----	NP	A
	0756005-1	STRAINER ASSEMBLY-FUEL -----	1	B
	0756005-3	STRAINER ASSEMBLY-FUEL -----	1	C
		ATTACHING PARTS		
- 1	MS20074-03-3 AN936A10	BOLT ----- WASHER -----	2 2	
		-----*		
- 2	0756008-1	BOWL-FUEL STRAINER ----- ATTACHING PARTS	1	
- 3	S1573-3	NUT -----	1	
- 4	0756015-1	WASHER -----	1	
- 5	MS29513-111	O RING -----	1	
- 6	MS29513-138	O RING -----	1	
		-----*		
- 7	0756011-1	STANDPIPE -----	1	
- 8	0756009-1	FILTER ASSEMBLY-FUEL STRAINER -----	1	B
	0756009-7	FILTER ASSEMBLY-FUEL STRAINER -----	1	C
- 9	0756009-5	GASKET -----	1	
-10	0756014-1	PLATE -----	1	
		ATTACHING PARTS		
-11	MS24665-132	COTTER PIN -----	1	
		-----*		
-12	0756010-1	PLUNGER ASSEMBLY-DRAIN -----	1	
-13	MS16624-25	SNAP RING -----	1	
-14	0756014-2	WASHER -----	2	
-15	0756012-1	SPRING -----	1	
-16	MS29513-10	O RING -----	1	
-17	0756005-2	TOP ASSEMBLY-FUEL STRAINER -----	1	
-18		CONTROL ASSEMBLY-STRAINER DRAIN SEE FIG 68A -----	1	D
		CONTROL ASSEMBLY-STRAINER DRAIN SEE FIG 74 & 75 -----	1	E
		ATTACHING PARTS		
-19	0450311-3	CLAMP -----	1	
-20	AN960-416	WASHER -----	1	
-21	NAS679A4	NUT -----	1	
-22	AN742D3	CLAMP -----	1	
-23	AN515-10R10	SCREW -----	1	
-24	MS21044N3	NUT -----	1	
		-----*		
-25	0500315-2	BRACKET-CONTROL WIRE STABILIZER -----	1	
-26	0500315-1	BRACKET-CONTROL WIRE STABILIZER ----- ATTACHING PARTS	1	
-27	MS20074-03-3	BOLT -----	2	
-28	AN936A10	WASHER -----	2	
		-----*		
		A---SERIAL 185-0844 & ON SERIAL 18051497 & ON		
		B---SERIAL 18051497 & ON		
		C---SERIAL 185-0844 & ON		
		D---SERIAL 185-0844 THRU 185-1300 SERIAL 18051497 THRU 18051875		
		E---SERIAL 185-1301 & ON SERIAL 18051876 & ON		

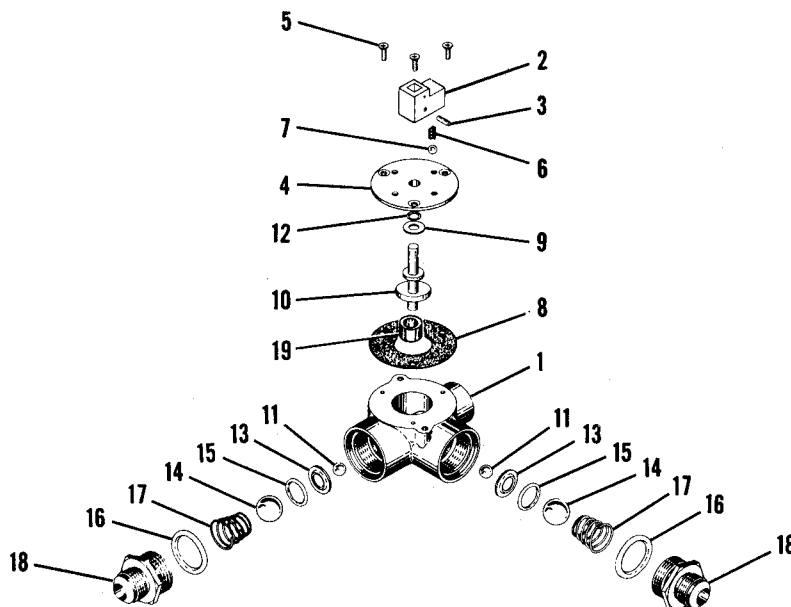
Fuel System (Cont)



SERIAL 185-0001 & ON

Figure 111. Fuel Valve Assembly

FIGURE AND INDEX NO.	PART NUMBER	DESCRIPTION	UNITS PER ASSY	USABLE ON CODE
		1 2 3 4 5 6 7		
111 -	0716109-1	VALVE ASSEMBLY-FUEL -----	1	A
	0716111-1	VALVE ASSEMBLY-FUEL -----	1	B
- 1	HE1367	COVER HEAC -----	1	A
	HE1367-1	COVER HEAC -----	1	B
		ATTACHING PARTS		
- 2	AN507-832-6R	SCREW -----	2	A
	AN507-1032-6R	SCREW -----	2	B
		---*---		
- 3	HE1366-1	ROTOR HEAC -----	1	A
	HE1556	ROTOR HEAC -----	1	B
- 4	MS29513-16	O RING -----	1	A
	MS29513-18	O RING -----	1	B
- 5	HE1372-1	SEAL HEAC -----	1	A
	HE1558	SEAL HEAC -----	1	B
- 6	MS29513-13	O RING -----	1	
- 7	HE1373	WASHER HEAC -----	1	
- 8	HE1251	SPRING HEAC -----	1	
- 9	79-022-094-0375	PIN-ROLL EN -----	1	
		A---SERIAL 185-0001 THRU 185-0413		
		B---SERIAL 185-0414 & ON		

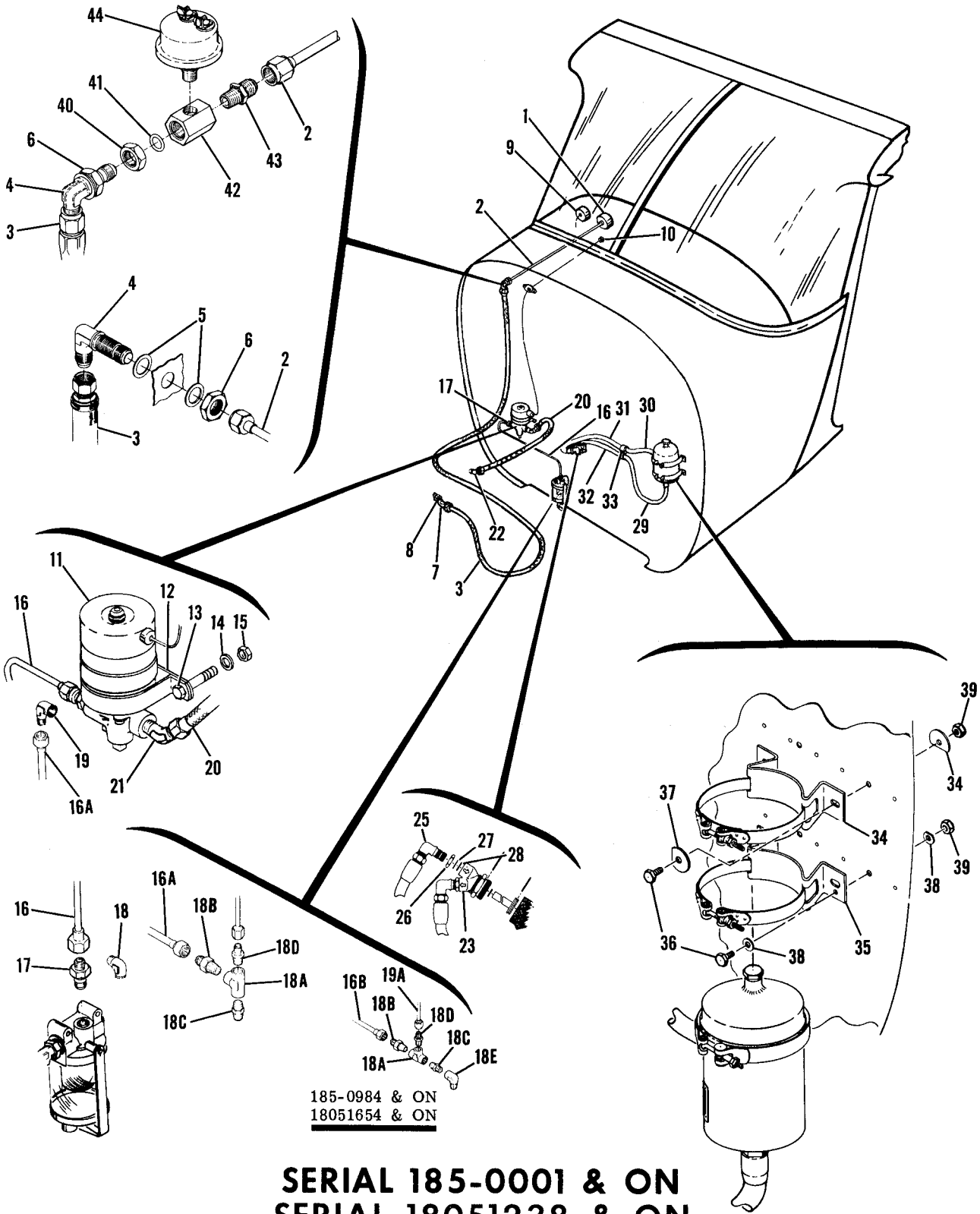


SERIAL 18051184 & ON

Figure 112. Fuel Selector Valve Assembly

FIGURE AND INDEX NO.	PART NUMBER	DESCRIPTION	UNITS PER ASSY	USABLE ON CODE
112 -	0311070-1	1 VALVE ASSEMBLY-FUEL SELECTOR -----	1	A
- 1	0311071	2 BASE-FUEL VALVE -----	1	
- 2	0513124-1	3 HOUSING -----	1	
		ATTACHING PARTS		
- 3	NAS5611P4-8	5 ROLL PIN EN -----	1	
		*-----		
- 4	0311073	4 PLATE-FUEL VALVE -----	1	
		ATTACHING PARTS		
- 5	AN507-632R5	6 SCREW -----	3	
		*-----		
- 6	0311070-2	7 SPRING-HANDLE LOCK -----	1	
- 7	S272-207	8 BALL-HANDLE LOCK -----	1	
- 8	0311076	9 GASKET-VALVE PLATE -----	1	
- 9	AN960C416L	10 WASHER -----	1	
-10	0311072	11 CAM-FUEL VALVE -----	1	
-11	S272-211	12 BALL-FUEL VALVE -----	2	
-12	MS29513-10	13 O RING -----	1	
-13	0311077	14 RETAINER-O RING -----	2	
-14	S272-220	15 BALL-FUEL VALVE -----	2	
-15	MS29513-112	16 O RING -----	2	
-16	MS29513-116	17 O RING -----	2	
-17	0311079	18 SPRING-FUEL VALVE -----	2	
-18	0311075-1	19 RETAINER-FUEL VALVE -----	2	
-19	S1003-9A	BEARING -----	1	
		A---SERIAL 18051184 & ON		

Oil System



185-0984 & ON
18051654 & ON

SERIAL 185-0001 & ON
SERIAL 18051238 & ON

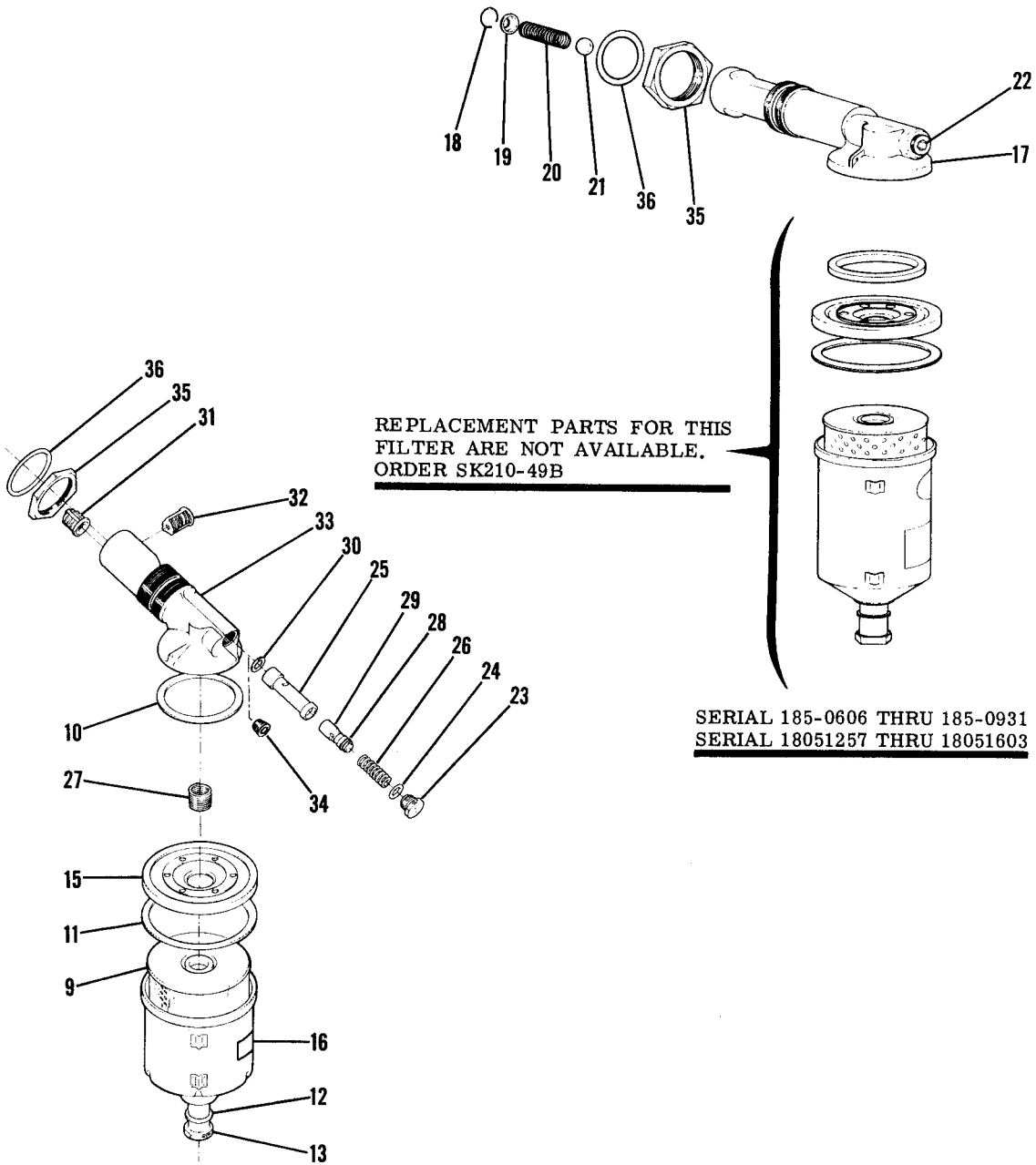
Figure 113. Oil System Installation

FIGURE AND INDEX NO.	PART NUMBER	DESCRIPTION	UNITS PER ASSY	USABLE ON CODE
			1 2 3 4 5 6 7	
113 -		OIL SYSTEM INSTALLATION -----	NP	C
- 1	0513144-10	GAGE-OIL PRESSURE -----	1	H
	G444619	GAGE-OIL PRESSURE SW -----	1	N
	G444627	GAGE-OIL PRESSURE SW -----	1	P
- 2	0500106-292	LINE ASSEMBLY-OIL PRESSURE FIREWALL TO PANEL -----	1	
- 3	S1236-4-0440	HOSE ASSEMBLY-OIL PRESSURE FIREWALL TO ENGINE -----	1	G
	S1167-4-0388	HOSE ASSEMBLY-OIL PRESSURE FIREWALL TO ENGINE -----	1	F
		ATTACHING PARTS		
- 4	AN833-4D	ELBOW -----	1	
- 5	AN960D716	WASHER -----	2	
- 6	AN924-4D	NUT -----	1	
- 7	0752037-1	ELBOW -----	1	
- 8	AN912-3	BUSHING -----	1	
		---*---		
- 9	0513144-2	GAGE-OIL TEMPERATURE -----	1	H
	G442697	GAGE-OIL TEMPERATURE SW -----	1	J
	G442698	GAGE-OIL TEMPERATURE SW 300 HP ONLY -----	1	K
	G442785	GAGE-OIL TEMPERATURE SW -----	1	Q
	G442786	GAGE-OIL TEMPERATURE SW -----	1	R
		OIL DILUTION INSTALLATION -----	NP	
	0713222-1	PLACARD -----	1	H
-10	0511063	SWITCH -----	1	
		ATTACHING PARTS		
	0511063-2	NUT -----	1	
		---*---		
-11	PSM15N	CIRCUIT BREAKER SPT -----	1	
	AN4078-1	VALVE-SOLENOID -----	1	
		ATTACHING PARTS		
-12	AN742D32	CLAMP -----	2	
-13	AN3-4A	BOLT -----	2	
-14	AN960-10L	WASHER -----	2	
-15	MS21044N3	NUT -----	2	
		---*---		
-16	0500106-347	LINE ASSEMBLY VALVE TO STRAINER -----	1	A
-16A	0700087-20	LINE ASSEMBLY VALVE TO STRAINER -----	1	B
	0700147-1	* LINE ASSEMBLY-VALVE TO STRAINER -----	1	L
-16B	0700147-18	* LINE ASSEMBLY-VALVE TO STRAINER -----	1	M
		ATTACHING PARTS		
-17	AN816-4D	NIPPLE -----	2	A
-18	MS20823-4D	ELBOW WHEN PRIMER IS NOT USED -----	1	B
-18A	AN917-10	* TEE -----	1	
-18B	AN816-4D	* NIPPLE -----	1	
-18C	AN911-1D	* NIPPLE -----	1	
-18D	AN816-2D	* NIPPLE -----	1	
-18E	AN914-1D	* ELBOW -----	1	M
-19	MS20822-4D	ELBOW -----	1	B
		---*---		
-19A	0700147-45	* LINE ASSEMBLY-PRIMER -----	1	M
-20	S1236-4-0194	HOSE ASSEMBLY VALVE TO ENGINE -----	1	
		ATTACHING PARTS		
-21	MS20823-4D	ELBOW -----	1	
-22	MS20823-4B	ELBOW -----	1	
		---*---		
		FULL FLOW OIL FILTER INSTALLATION -----	NP	D
-23	0750153-8	ADAPTER KIT -----	1	
-24		DELETED, NOT AVAILABLE -----		
-25	AN833-10D	ELBOW -----	2	
-26	AN6289D10	NUT -----	2	
-27	MS28778810	GASKET -----	2	
-28	MS28777-10	O RING -----	2	
-29	0750177-6	HOSE -----	1	
-30	0750177-5	HOSE -----	1	
-31	0500106-348	TUBE ASSEMBLY -----	1	
-32	0500106-349	TUBE ASSEMBLY -----	1	
		ATTACHING PARTS		
-33	AN815-10D	UNION -----	1	
		---*---		
	0750153-10	FILTER & BRACKET ASSEMBLY -----	1	
	1A0235	ELEMENT-REPLACEMENT WNL -----	1	
	1A0218	SEAL RING-COVER WNL -----	1	

CONTINUED ON NEXT PAGE

This page intentionally left blank.

Oil System (Cont)



SERIAL 185-0932 & ON
SERIAL 18051604 & ON

SERIAL 185-0606 & ON
SERIAL 18051257 & ON

Figure 113A. Oil Filter Installation

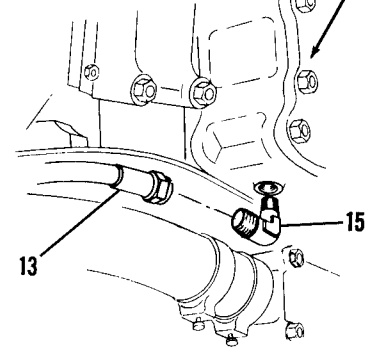
FIGURE AND INDEX NO.	PART NUMBER	DESCRIPTION	UNITS PER ASSY	USABLE ON CODE
113A--		OIL FILTER INSTALLATION -----	NP	A
- 1		OIL FILTER ASSEMBLY ORDER SK210-49B -----	1	B
- 2		DELETED, NOT AVAILABLE -----		
- 3		DELETED, NOT AVAILABLE -----		
- 4		DELETED, NOT AVAILABLE -----		
- 5		DELETED, NOT AVAILABLE -----		
- 6		DELETED, NOT AVAILABLE -----		
- 7		DELETED, NOT AVAILABLE -----		
- 8		DELETED, NOT AVAILABLE -----		
- 9	C294505-0101	OIL FILTER ASSEMBLY -----	1	C
-10	C294505-0102 *	FILTER ELEMENT KIT -----	1	C
-11	6436635	GASKET AC -----	1	C
-12	6436637	GASKET AC -----	1	C
-13	5579654	WASHER AC -----	1	C
-14	6436916 *	STUD-CENTER AC -----	1	C
-15	6436989 *	DELETED, NOT AVAILABLE -----		
-16	1250410-3 *	LID-OIL FILTER AC -----	1	C
-17		PLACARD-OIL FILTER -----	1	C
-18		ADAPTER ASSEMBLY-OIL FILTER ORDER AK185-40 -----	1	D
-19	1250407-1	SNAP RING -----	1	D
-20	1250408-1	CAP RETAINER -----	1	D
-21	1250409-1	SPRING -----	1	D
-22	S272-17	BALL -----	1	D
	AN932C4	PLUG-PIPE -----	1	D
	0756024-1	ADAPTER ASSEMBLY-OIL FILTER WHEN EXHAUSTED -----	1	E
		USE 1250922-2 -----		
-23	1250922-2	ADAPTER ASSEMBLY-OIL FILTER -----	1	F
-24	0756018-2	PLUG -----	1	E
-25	AN6227-11	O RING -----	1	E
-26	0756019-1	SLEEVE -----	1	E
-27	0756021-1	SPRING -----	1	E
-28	MS124663	INSERT -----	1	G
-29	AN6227-6	O RING -----	1	E
-30	0756020-1	PISTON -----	1	E
-31	MS20002C6	WASHER -----	1	E
-32	0756022-2	VALVE-OUTLET -----	1	E
-33	0756022-1	VALVE-BY PASS -----	1	G
	0756023-1	ADAPTER WHEN EXHAUSTED USE 1250922-2 -----	1	E
	1250921-2	ADAPTER -----	1	F
-34	AN932C4	PLUG-PIPE -----	1	F
-35	1250405-1	NUT-ADAPTER -----	1	
-36	AN123883	PACKING-ADAPTER NUT -----	1	
	SE709	WRENCH-OIL FILTER ADAPTER -----	1	

NOTE. *THESE ARE ALSO REPLACEMENT PARTS FOR SK210-49B.

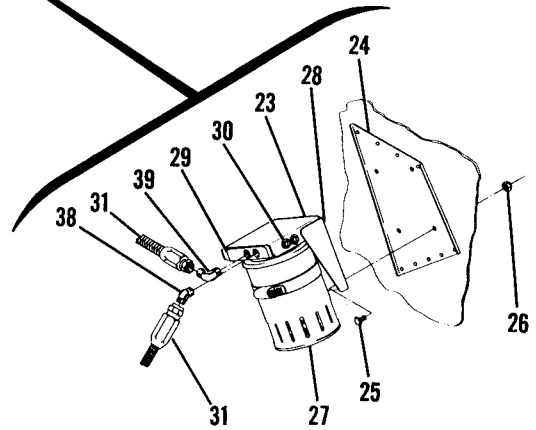
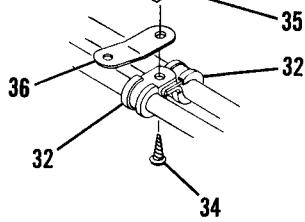
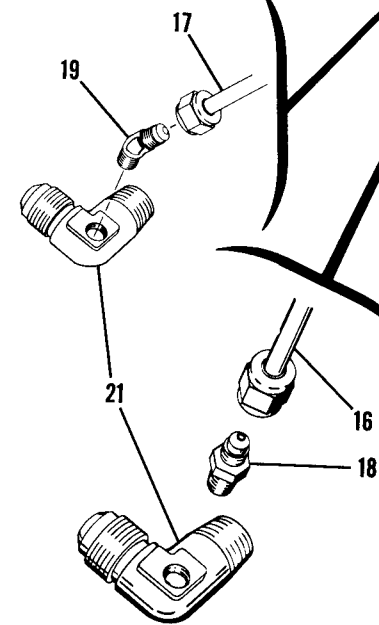
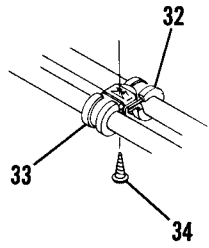
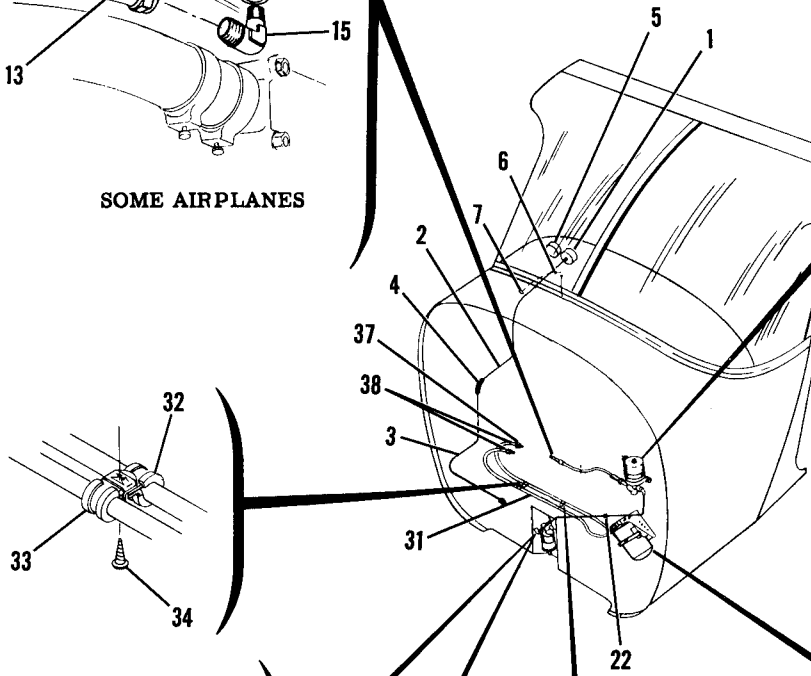
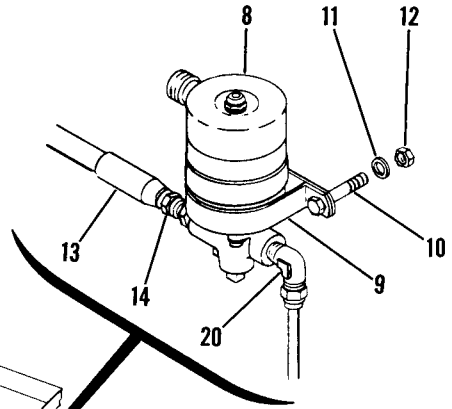
- A---SERIAL 185-0606 & ON
SERIAL 18051257 & ON
- B---SERIAL 185-0606 THRU 185-0931
SERIAL 18051257 THRU 18051603
- C---SERIAL 185-0932 & ON
SERIAL 18051604 & ON
- D---SERIAL 185-0606 THRU 185-0949
SERIAL 18051257 THRU 18051607
- E---SERIAL 185-0950 THRU 185-1231
SERIAL 18051608 THRU 18051835
- F---SERIAL 185-1232 & ON
SERIAL 18051836 & ON
- G---SERIAL 185-0950 & ON
SERIAL 18051608 & ON

Oil System

OIL PUMP HOUSING (REF)



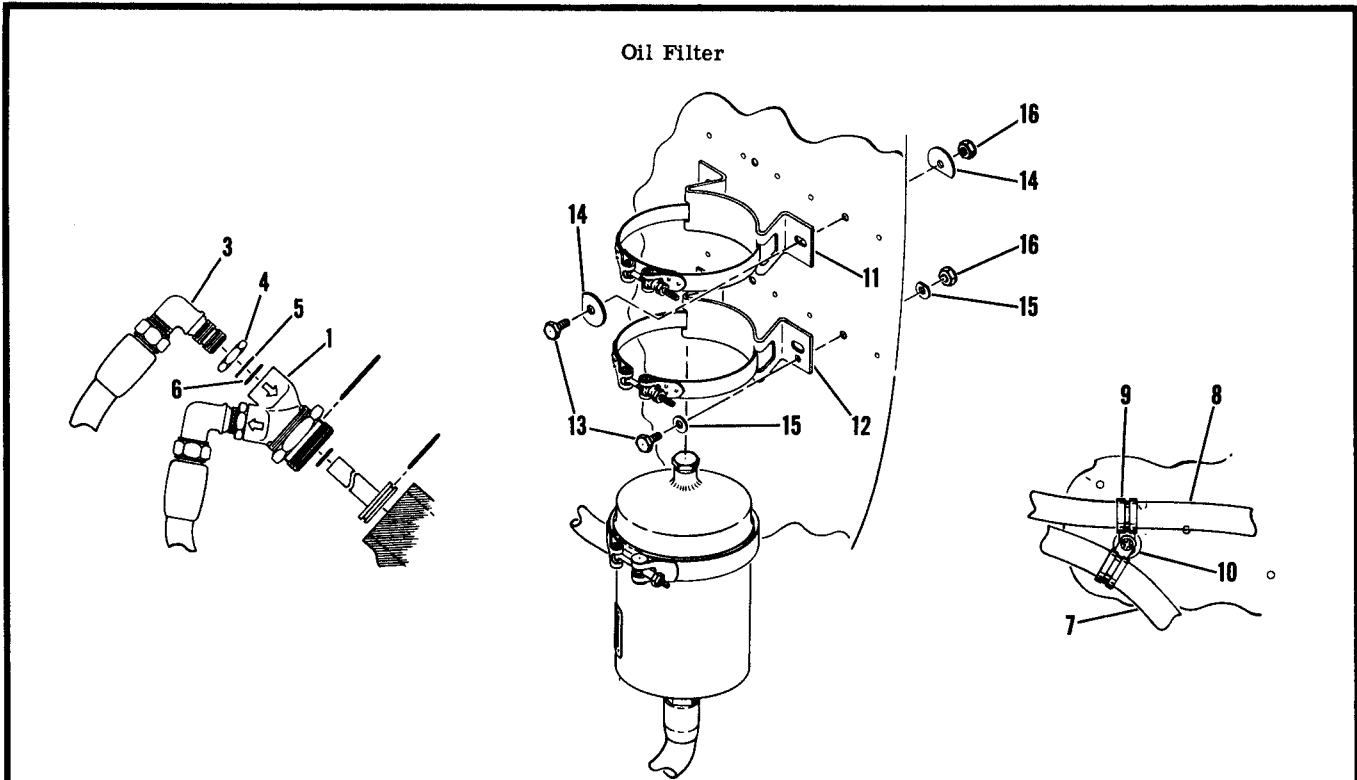
SOME AIRPLANES



SERIAL 18051184 THRU 18051237

Figure 114. Oil System Installation

FIGURE AND INDEX NO.	PART NUMBER	DESCRIPTION	UNITS PER ASSY	USABLE ON CODE
114 -		OIL SYSTEM INSTALLATION -----	NP	A
- 1	0513144-10	GAGE-OIL PRESSURE -----	1	
- 2	0500106-292	LINE-OIL PRESSURE GAGE TO FIREWALL -----	1	
- 3	S1167-4-0388	LINE-OIL PRESSURE FIREWALL TO ENGINE -----	1	
		ATTACHING PARTS -----		
- 4	AN837-4D	ELBOW -----	1	
	AN960D716	WASHER -----	1	
	AN924-4D	NUT -----	1	
		-----*		
- 5	0513144-2	GAGE-OIL TEMPERATURE -----	1	
- 6	0511063	OIL DILUTION INSTALLATION -----	NP	
		SWITCH-OIL DILUTION -----	1	
		ATTACHING PARTS -----		
	0511063-2	NUT -----	1	
		-----*		
- 7	PSM15N	CIRCUIT BREAKER -----	1	
- 8	AN4078-1	VALVE-SOLENOID -----	1	
		ATTACHING PARTS -----		
- 9	AN742D32	CLAMP TIN A2980A-32 -----	2	
-10	AN3-5A	BOLT -----	2	
-11	AN960-10L	WASHER -----	2	
-12	MS21044N3	NUT -----	2	
		-----*		
-13	S1168-4-11	HOSE ASSEMBLY VALVE TO ENGINE OIL PUMP -----	1	
		WHEN EXHAUSTED USE S1495-4 & S1497-4 -----		
	S1495-4	HOSE-11.00 IN LG BULK ITEM REF S1499-4JJ-11 -----	1	
	S1497-4	FITTING-SOCKETLESS USED WITH S1495-4 HOSE -----	2	
-14	AN816-4D	UNION -----	1	
-15	MS20823-4B	ELBOW -----	1	
-16	0500106-144	FUEL LINE VALVE TO STRAINER -----	1	
-17	0500106-220	FUEL LINE VALVE TO STRAINER -----	1	
-18	AN816-4D	NIPPLE -----	1	
-19	MS20823-4D	ELBOW -----	1	
-20	MS20822-4D	ELBOW -----	1	
-21	0750035-1	ELBOW -----	1	
-22	AN742D4	CLAMP -----	1	
	S1021Z8-6	SCREW -----	1	
	NAS446-4-3	NUT TIN A1778-8Z-3 -----	1	
		-----*		
-23	0750147-5	INSTALLATION-OIL FILTER -----	NP	
		BRACKET & FILTER ASSEMBLY -----	1	
		ATTACHING PARTS -----		
-24	0750028-2	DOUBLER -----	1	
-25	AN4-3A	BOLT -----	4	
-26	NAS679A4	NUT -----	4	
		-----*		
-27	PB55	FILTER ASSEMBLY FCD -----	1	
-28	X109488	BRACKET FCD -----	1	
-29	I09450	ADAPTER FCD -----	1	
		ATTACHING PARTS -----		
-30	I09532	SCREW FCD -----	4	
	I09531	WASHER FCD -----	4	
		-----*		
-31	S1167-4-0300	HOSE ASSEMBLY-OIL FILTER -----	2	
		ATTACHING PARTS -----		
-32	MS21919DG8	CLAMP TIN -----	3	
-33	S1486DG8L	CLAMP TIN -----	1	
-34	S1021Z8-10	SCREW -----	2	
-35	NAS446-4-3	NUT TIN A1778-8Z-3 -----	1	
-36	0550100-6	CLIP-MOUNTING -----	1	
		-----*		
-37	0750147-3	BUSHING -----	1	
	AN900-10	WASHER -----	1	
-38	MS20823-4D	ELBOW -----	3	
-39	MS20822-4D	ELBOW -----	1	
A---SERIAL 18051184 THRU 18051237				



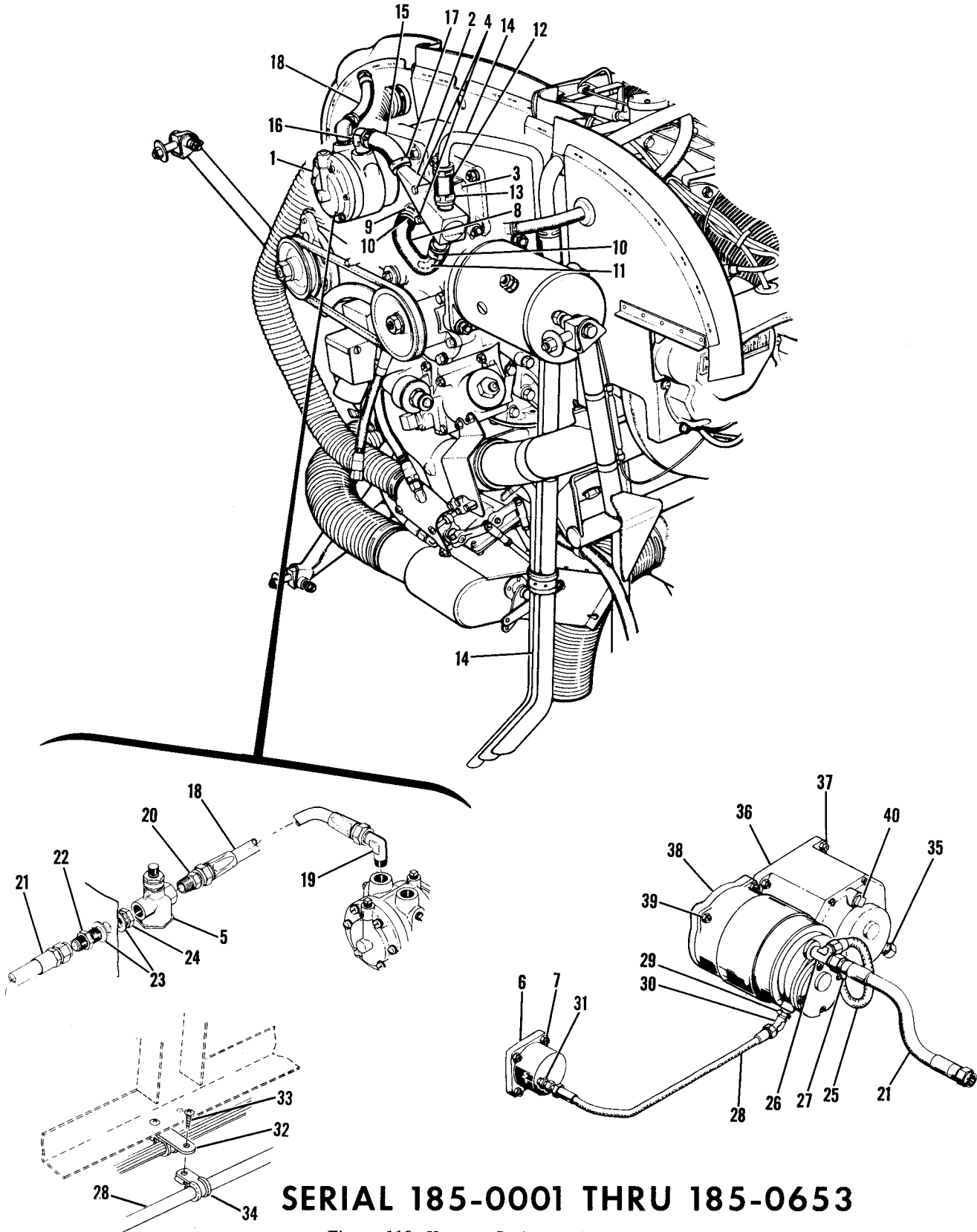
SERIAL 18051184 THRU 18051256

Figure 115. Full Flow Oil Filter Installation

FIGURE AND INDEX NO.	PART NUMBER	DESCRIPTION	UNITS PER ASSY	USABLE ON CODE
115 -		1 2 3 4 5 6 7 FULL FLOW OIL FILTER INSTALLATION -----		
- 1	0750153-8	ADAPTER KIT -----	NP 1	A
- 2		DELETED, NOT AVAILABLE -----		
- 3	AN833-10D	ELBOW -----	2	
- 4	AN6289D10	NUT -----	2	
- 5	MS28778-10	GASKET -----	2	
- 6	MS28777-10	O RING -----	2	
- 7	S1167-10-0404	HOSE -----	1	
- 8	S1167-10-0404	HOSE -----	1	
- 9	MS21919DG15	CLAMP -----	2	
-10	NAS43DD3-56	SPACER -----	1	
	AN520-10R22	SCREW -----	1	
	MS21044N3	NUT -----	1	
	AN970-3	WASHER -----	2	
		-----*		
	0750153-10	FILTER & BRACKET ASSEMBLY -----	1	
	1A0235	ELEMENT-REPLACEMENT WNL -----	1	
	1A0218	SEAL RING-COVER WNL -----	1	
-11	1A0233	BRACKET-UPPER WNL -----	1	
-12	0750153-3	BRACKET-LOWER -----	1	
		ATTACHING PARTS		
-13	AN4-5A	BOLT -----	4	
-14	AN960-4	WASHER -----	4	
-15	AN960-416	WASHER -----	4	
-16	NAS679A4	NUT -----	2	
		-----*		
A---SERIAL 18051184 THRU 18051256				

FIGURE AND INDEX NO.	PART NUMBER	DESCRIPTION	UNITS PER ASSY	USABLE ON CODE
		1 2 3 4 5 6 7		
116 -		VACUUM SYSTEM INSTALLATION-ENGINE DRIVEN -----	NP	A
- 1	C431001-0101	PUMP-VACUUM -----	1	
- 2	0750103-1	SEPARATOR-OIL -----	1	
		ATTACHING PARTS		
- 3	0750036-1	BRACKET -----	1	
- 4	AN3-15A	BOLT -----	2	
	AN960010L	WASHER -----	2	
	MS21044N3	NUT -----	2	
		-----*		
- 5	C482001-0101	VALVE-SUCTION RELIEF -----	1	
- 6	0311057-1	GAGE-SUCTION WHEN EXHAUSTED USE S1414N1 -----	1	
	S1414N1	GAGE-SUCTION -----	1	
		ATTACHING PARTS		
- 7	AN507B632R12	SCREW -----	4	
		-----*		
- 8	S51-8	HOSE-CIL RETURN 9.00 IN LG BULK ITEM -----	1	
		REF S-51-8-36		
		ATTACHING PARTS		
- 9	AN844-8	ELBOW -----	1	
-10	NAS397-14-1	CLAMP -----	2	
		-----*		
-11	0750037-1	LINE-CIL RETURN -----	1	
-12	S51-8	HOSE-VENT 2.00 IN.LG. BULK ITEM REF S-51-8-8 -----	1	
		ATTACHING PARTS		
-13	NAS397-14-1	CLAMP -----	2	
		-----*		
CONTINUED ON NEXT PAGE				

Vacuum System

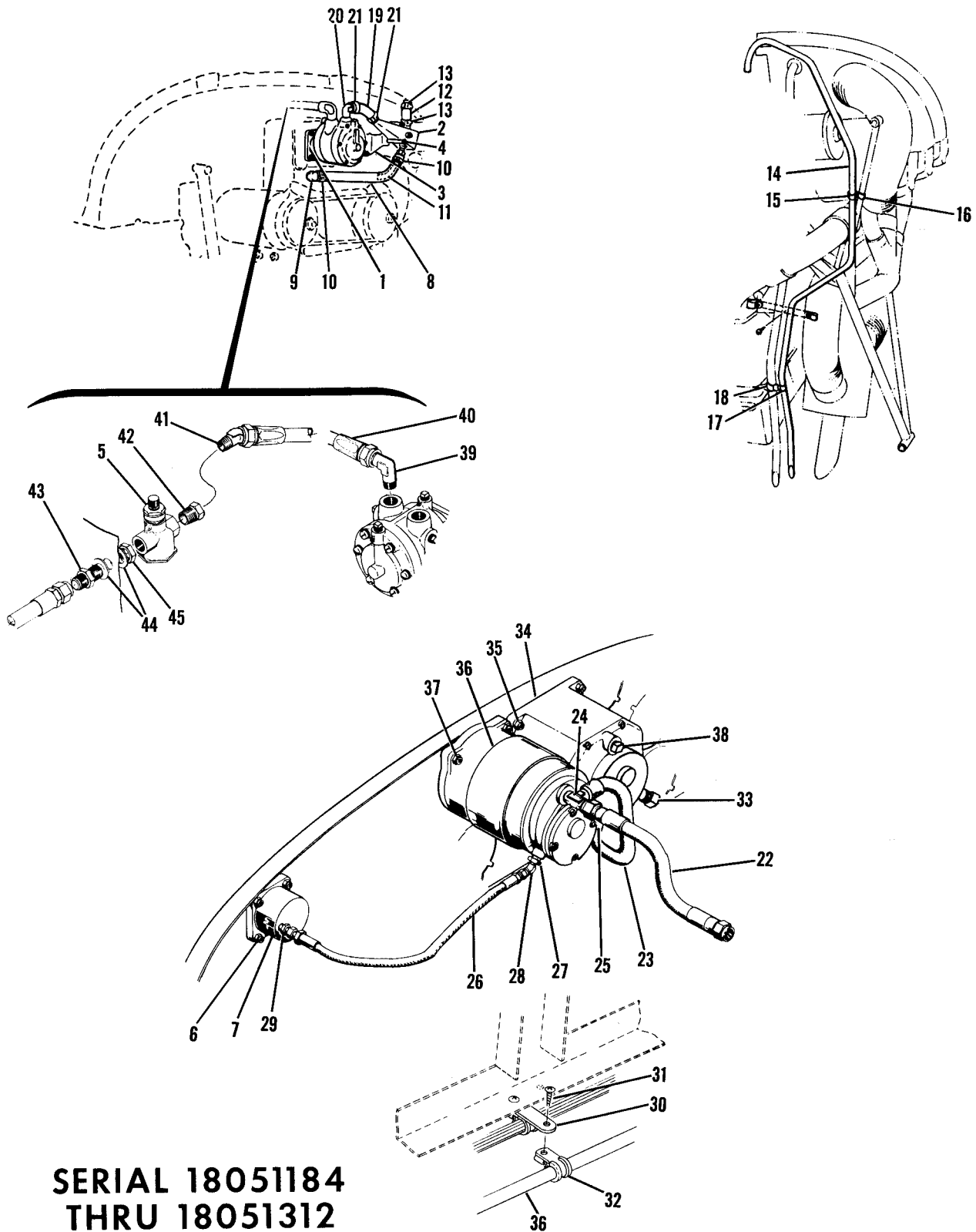


SERIAL 185-0001 THRU 185-0653

Figure 116. Vacuum System Installation

FIGURE AND INDEX NO.	PART NUMBER	DESCRIPTION	UNITS PER ASSY	USABLE ON CODE
		1 2 3 4 5 6 7		
116 -14	0500106-339	LINE-VENT -----	1	
-15	S51-8	HOSE-DISCHARGE 3.25 IN LG BULK ITEM ----- REF S-51-8-13 ATTACHING PARTS -----	1	
-16	AN842-8	ELBOW -----	1	
-17	NAS397-14-1	CLAMP ----- *-----	2	
-18	S1168-6-10 1/2	HOSE-SUCTION WHEN EXHAUSTED USE S1495-6 & 1497-6 -----	1	
	S1495-6 *	HOSE-10.50 IN LG BULK ITEM REF S1499-6-10.50 -----	1	
	S1497-6	FITTING-SOCKETLESS USED WITH 1495-6 HOSE -----	2	
-19	MS20822-6-6	ELBOW -----	1	
-20	AN816-6-8D	UNION -----	1	
-21	S1168-6-12	HOSE-SUCTION FIREWALL TO HORIZONTAL GYRO WHEN ----- EXHAUSTED USE S1495-6 & 1497-6	1	
	S1495-6 *	HOSE-12.00 IN LG BULK ITEM REF S1499-6-12.00 -----	1	
	S1497-6	FITTING-SOCKETLESS USED WITH S1495-6 HOSE -----	2	
-22	S1988-1	UNION -----	1	
-23	AN960D916	WASHER -----	2	
-24	AN924-6D	NUT -----	1	
-25	0500106-221	LINE-DIRECTIONAL GYRO TO HORIZONTAL GYRO ----- ATTACHING PARTS -----	1	
-26	MS20826-6D	TEE -----	1	
-27	MS20822-6D	ELBOW ----- *-----	1	
-28	S1168-2-25	HOSE-HORIZONTAL GYRO TO SUCTION GAGE ----- ATTACHING PARTS -----	1	
-29	AN912-10	BUSHING-REDUCER -----	1	
-30	MS20823-2D	ELBOW -----	1	
-31	AN816-2D	NIPPLE -----	1	
-32	1260043-2	STRAP -----	1	
-33	S1021Z8-8	SCREW -----	1	
-34	S1486DG6L	CLAMP ----- *-----	1	
-35	MS20913-2D	PLUG -----	2	
-36	0311056-5	GYRO-DIRECTIONAL-NEW WHEN EXHAUSTED ORDER AK172-116 KIT -----	1	
	0311056-4	GYRO-DIRECTIONAL-REBUILT WHEN EXHAUSTED USE S1316N1 -----	1	
	S1316N1	GYRO-DIRECTIONAL WHEN EXHAUSTED USE C661002-0101 -----	1	
	C661002-0101	GYRO-DIRECTIONAL-REMANUFACTURED WHEN EXHAUSTED ----- ORDER AK172-116 KIT ATTACHING PARTS -----	1	
-37	AN515B1014	SCREW ----- *-----	4	
-38	0311058-4	GYRO-HORIZON-NEW WHEN EXHAUSTED ORDER AK172-116 KIT -----	1	
	0311058-5	GYRO-HORIZON-REBUILT WHEN EXHAUSTED USE S1309N1 -----	1	
	S1309N1	GYRO-HORIZON-REBUILT WHEN EXHAUSTED USE C661001-0101 -----	1	
	C661001-0101	GYRO-HORIZON-REMANUFACTURED WHEN EXHAUSTED ----- ORDER AK172-116 KIT ATTACHING PARTS -----	1	
-39	AN520B10R16	SCREW ----- *-----	4	
-40	MS20913-2D	PLUG -----	1	
<p>NOTE. *WHEN INITIALLY ORDERING THIS PART ALSO ORDER TWO S1497 SOCKETLESS FITTINGS</p> <p>A---SERIAL 185-0001 THRU 185-0653</p>				

Vacuum System (Cont)



**SERIAL 18051184
THRU 18051312**

Figure 117. Vacuum System Installation



FIGURE AND INDEX NO.	PART NUMBER	DESCRIPTION	UNITS PER ASSY	USABLE ON CODE
117 -		VACUUM SYSTEM INSTALLATION-ENGINE DRIVEN -----	NP	A
- 1	C431001-0101	PUMP-VACUUM -----	1	
- 2	0750103-1	SEPARATOR-OIL ----- ATTACHING PARTS	1	
- 3	0750100-11	BRACKET -----	1	
- 4	AN3-15A	BOLT -----	2	
	AN960D10L	WASHER -----	2	
	MS21044N3	NUT -----	2	
		---*---		
- 5	C482001-0101	VALVE-SUCTION RELIEF -----	1	
- 6	0311057-1	GAGE-SUCTION WHEN EXHAUSTED USE S1414N1 -----	1	
	S1414N1	GAGE-SUCTION ----- ATTACHING PARTS	1	
- 7	AN507B632R12	SCREW -----	4	
		---*---		
- 8	S51-8	HOSE-OIL RETURN 9.00 IN. LG. BULK ITEM ----- REF S-51-8-36	1	
		ATTACHING PARTS		
- 9	AN844-8	ELBOW -----	1	
-10	NAS397-14-1	CLAMP TIN A3122-14-1 -----	2	
		---*---		
-11	0750100-12	LINE-OIL RETURN -----	1	
-12	S51-8	HOSE-VENT 2.00 IN. LG. BULK ITEM REF S-51-8-8 ----- ATTACHING PARTS	1	
-13	NAS397-14-1	CLAMP TIN A3122-14-1 -----	2	
		---*---		
-14	0500106-251	LINE-VENT ----- ATTACHING PARTS	1	
-15	AN742D8	CLAMP -----	1	
-16	0761202-3	LINK -----	1	
	S1021Z10-10	SCREW -----	1	
-17	AN742D8	CLAMP -----	1	
-18	AN742D12	CLAMP TIN -----	1	
	S1021Z10-8	SCREW -----	1	
		---*---		
-19	S51-8	HOSE-DISCHARGE 3.25 IN. LG. BULK ITEM ----- REF S-51-8-13	1	
		ATTACHING PARTS		
-20	AN842-8	ELBOW -----	1	
-21	NAS397-14-1	CLAMP TIN A3122-14-1 -----	2	
		---*---		
-22	S1168-6-12	HOSE-SUCTION FIREWALL TO HORIZONTAL GYRO WHEN ----- EXHAUSTED USE S1495-6 & S1497-6	1	
	S1495-6	HOSE-12.00 IN LG BULK ITEM REF S1499-6-12.00 -----	1	
	S1497-6	FITTING-SOCKETLESS USED WITH S1495-6 HOSE -----	2	
-23	0500106-221	LINE-DIRECTIONAL GYRO TO HORIZONTAL GYRO ----- ATTACHING PARTS	1	
-24	MS20826-6D	TEE -----	1	
-25	MS20822-6D	ELBOW -----	1	
		---*---		
-26	S1168-2-15	HOSE-HORIZONTAL GYRO TO SUCTION GAGE ----- ATTACHING PARTS	1	
-27	AN912-1D	BUSHING-REDUCER -----	1	
-28	MS20823-2D	ELBOW -----	1	
-29	AN816-2D	NIPPLE -----	1	
-30	1260043-2	STRAP -----	1	
-31	S1021Z8-8	SCREW -----	1	
-32	S1486DG6L	CLAMP -----	1	
		---*---		
-33	MS20913-2D	PLUG -----	2	
-34	0311056-5	GYRO-DIRECTIONAL-NEW WHEN EXHAUSTED ORDER AK172-116 KIT -	1	
	0311056-4	GYRO-DIRECTIONAL-REBUILT WHEN EXHAUSTED USE S1316N1 -----	1	
	S1316N1	GYRO-DIRECTIONAL-REBUILT WHEN EXHAUSTED ----- USE C661002-0101	1	
	C661002-0101	GYRO-DIRECTIONAL-REMANUFACTURED WHEN EXHAUSTED ----- ORDER AK172-116 KIT	1	
		ATTACHING PARTS		
-35	AN520B10R16	SCREW -----	4	
		---*---		

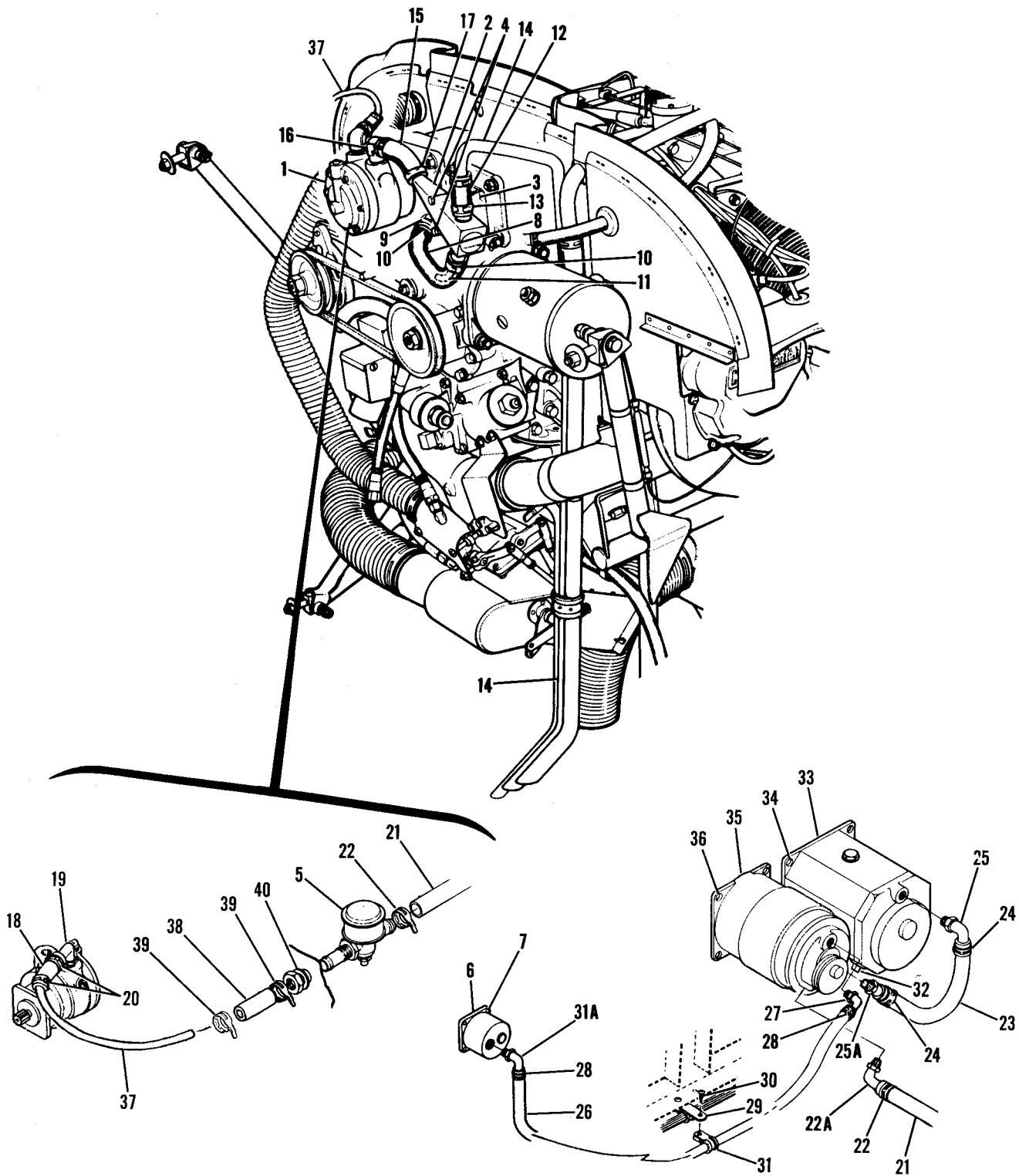
CONTINUED ON NEXT PAGE

FIGURE AND INDEX NO.	PART NUMBER	DESCRIPTION	UNITS PER ASSY	USABLE ON CODE
117 -36	0311058-4	GYRO-HORIZON-NEW WHEN EXHAUSTED ORDER AK172-116 KIT -----	1	
	0311058-5	GYRO-HORIZON-REBUILT WHEN EXHAUSTED USE S1309N1 -----	1	
	S1309N1	GYRO-HORIZON-REBUILT WHEN EXHAUSTED USE C661001-0101 -----	1	
	C661001-0101	GYRO-HORIZON-REMANUFACTURED WHEN EXHAUSTED ----- ORDER AK172-116 KIT	1	
		ATTACHING PARTS		
-37	AN520B10R16	SCREW ----- -----*-----	4	
-38	MS20913-2D	PLUG -----	1	
-39	MS20822-6-6B	ELBOW -----	1	
-40	S1168-6-6 1/2	HOSE ASSEMBLY WHEN EXHAUSTED USE S1495-6 & S1497-6 -----	1	
	S1495-6 *	HOSE-6.50 IN LG BULK ITEM REF S1499-6-6.50 -----	1	
	S1497-6	FITTING-SOCKETLESS USED WITH 1495-6 HOSE -----	2	
-41	AN912-2	BUSHING-REDUCER -----	1	
-42	MS20823-6B	ELBOW -----	1	
-43	S1988-1	FITTING -----	1	
-44	AN960D916	WASHER -----	2	
-45	AN924-6D	NUT -----	1	
<p>NOTE. *WHEN INITIALLY ORDERING THIS PART ALSO ORDER TWO S1497-6 SOCKETLESS FITTINGS.</p> <p>A---SERIAL 18051184 THRU 18051312</p>				

FIGURE AND INDEX NO.	PART NUMBER	DESCRIPTION	UNITS PER ASSY	USABLE ON CODE
		1 2 3 4 5 6 7		
117A-		VACUUM SYSTEM INSTALLATION-ENGINE DRIVEN -----	NP	A
- 1	C431001-0101	PUMP-VACUUM -----	1	
- 2	0750103-1	SEPARATOR-OIL -----	1	
		ATTACHING PARTS -----		
- 3	0750036-1	BRACKET -----	1	
- 4	AN3-15A	BOLT -----	2	
	AN960D10L	WASHER -----	2	
	MS21044N3	NUT -----	2	
		-----*		
- 5	133A3	VALVE-SUCTION RELIEF RAMF -----	1	
- 6	S1414N1	GAGE-SUCTION -----	1	
		ATTACHING PARTS -----		
- 7	AN507B632R12	SCREW -----	4	
		-----*		
- 8	S1495-8	HOSE-OIL RETURN 9.00 IN LG BULK ITEM -----	1	
		REF S1431-8-9.00 -----		
		ATTACHING PARTS -----		
- 9	AN844-8	ELBOW -----	1	
-10	NAS397-14	CLAMP -----	2	
		-----*		
-11	0750037-1	TUBE-INSERT -----	1	
-12	S1495-8	HOSE-VENT 2.00 IN LG BULK ITEM S1431-8-2.00 -----	1	
		ATTACHING PARTS -----		
-13	NAS397-14	CLAMP -----	2	
		-----*		
-14	0500106-339	LINE-VENT -----	1	
-15	S1495-8	HOSE-DISCHARGE 3.25 IN LG BULK ITEM -----	1	
		REF S1431-8-3.25 -----		
		ATTACHING PARTS -----		
-16	IKI6-8	ELBOW RAMF -----	1	
-17	NAS397-14	CLAMP -----	2	
		-----*		
-18	S1495-10	HOSE-SUCTION 2.50 IN LG BULK ITEM -----	1	
		REF S1431-10-0250 -----		
-19	IKI6-10	ELBOW RAMF -----	1	
-20	NAS397-16	CLAMP -----	2	
		-----*		
-21	S1495-8	HOSE-SUCTION-FIREWALL TO HORIZONTAL GYRO 14.5 IN LG -----	1	
		BULK ITEM REF S1431-8-1450 -----		
		ATTACHING PARTS -----		
-22	NAS397-14	CLAMP -----	2	
-22A	IKI4-8	ELBOW RAMF -----	1	
		-----*		

CONTINUED ON NEXT PAGE

Vacuum System (Cont)

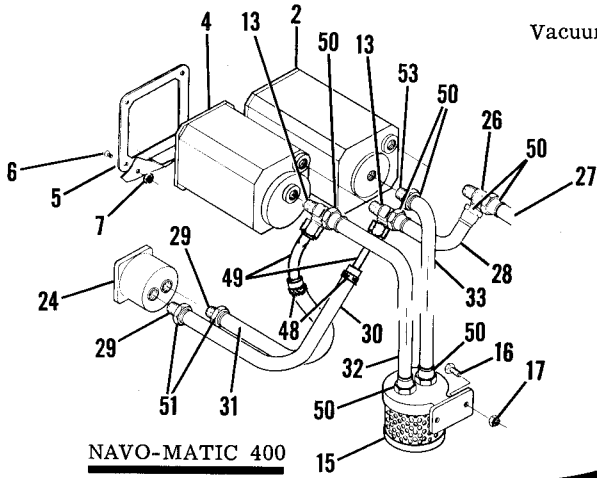


SERIAL 185-0654 THRU 185-0776
SERIAL 18051313 THRU 18051445

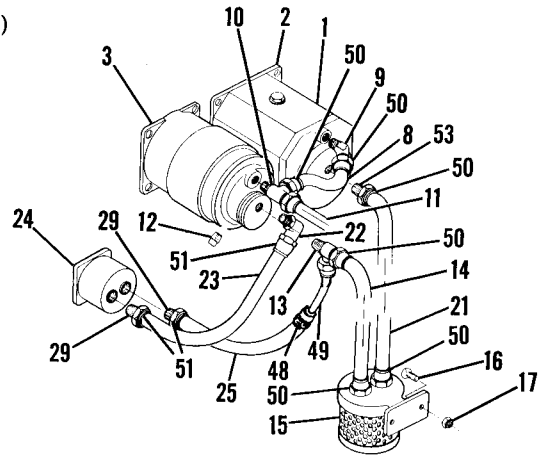
Figure 117A. Vacuum System Installation

FIGURE AND INDEX NO.	PART NUMBER	DESCRIPTION	UNITS PER ASSY	USABLE ON CODE
		1 2 3 4 5 6 7		
117A-23	S1495-6	HOSE-DIRECTIONAL GYRO TO HORIZONTAL GYRO 7.50 IN LG ----- BULK ITEM REF S1431-6-0750	1	
		ATTACHING PARTS		
-24	NAS397-12	CLAMP -----	2	
-25	IK14-6	ELBOW RAMF -----	1	
	IKI10-4-6	ADAPTER RAMF -----	1	
		-----*		
-26	S1495-4	HOSE-HORIZONTAL GYRO TO SUCTION GAGE 43.00 IN LG ----- BULK ITEM REF S1431-4-4300	1	
		ATTACHING PARTS		
-27	IK14-4	ELBOW RAMF -----	1	
-28	NAS397-8	CLAMP -----	2	
-29	1260043-2	STRAP -----	1	
-30	S1021Z8-5	SCREW -----	1	
-31	S1486DG8L	CLAMP -----	1	
-31A	IKI2-4	ELBOW RAMF -----	1	
		-----*		
-32	MS20913-2D	PLUG -----	2	
-33	0311056-5	GYRO-DIRECTIONAL-NEW WHEN EXHAUSTED ORDER AK172-116 KIT -	1	
	S1316N1	GYRO-DIRECTIONAL-REBUILT WHEN EXHAUSTED USE C661002-0101-	1	
	S1476N1	GYRO-DIRECTIONAL ALTERNATE FOR S1316N1 WHEN -----	1	
		EXHAUSTED USE C661002-0101		
	C661002-0101	GYRO-DIRECTIONAL-REMANUFACTURED WHEN EXHAUSTED -----	1	
		ORDER AK172-116 KIT		
		ATTACHING PARTS		
-34	AN515B10R14	SCREW -----	4	
	AN507B1032R16	SCREW USED WITH C661002-0101 -----	3	
		-----*		
-35	C311058-4	GYRO-HORIZON-NEW WHEN EXHAUSTED ORDER AK172-116 KIT -----	1	
	S1309N1	GYRO-HORIZON-REBUILT WHEN EXHAUSTED USE C661001-0101 -----	1	
	S1472N1	GYRO-HORIZON ALTERNATE FOR S1309N1 WHEN -----	1	
		EXHAUSTED USE C661001-0101		
	S1473N1	GYRO-HORIZON ALTERNATE FOR S1309N1 WHEN -----	1	
		EXHAUSTED USE C661001-0101		
	C661001-0101	GYRO-HORIZON-REMANUFACTURED WHEN EXHAUSTED -----	1	
		ORDER AK172-116 KIT		
		ATTACHING PARTS		
-36	AN520B10R16	SCREW -----	4	
	2103	PLATE AIM USED WITH C661001-0101 -----	1	
	AN507-1032R8	SCREW USED WITH C661001-0101 -----	4	
	MS21044N3	NUT USED WITH C661001-0101 -----	4	
		-----*		
-37	C700087-28	TUBE-SUCTION -----	1	
-38	S1495-10	HOSE-SUCTION 3.75 IN LG BULK ITEM ----- REF S1431-10-0375	1	
		ATTACHING PARTS		
-39	NAS397-16	CLAMP -----	2	
		-----*		
-40	AN960-1416L	WASHER -----	2	
		A---SERIAL 185-0654 THRU 185-0776 SERIAL 18051313 THRU 18051445		

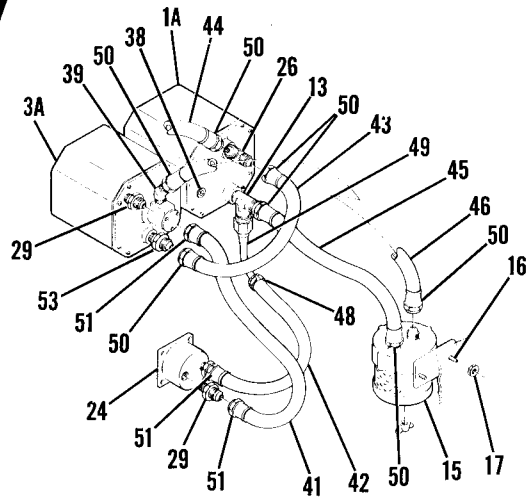
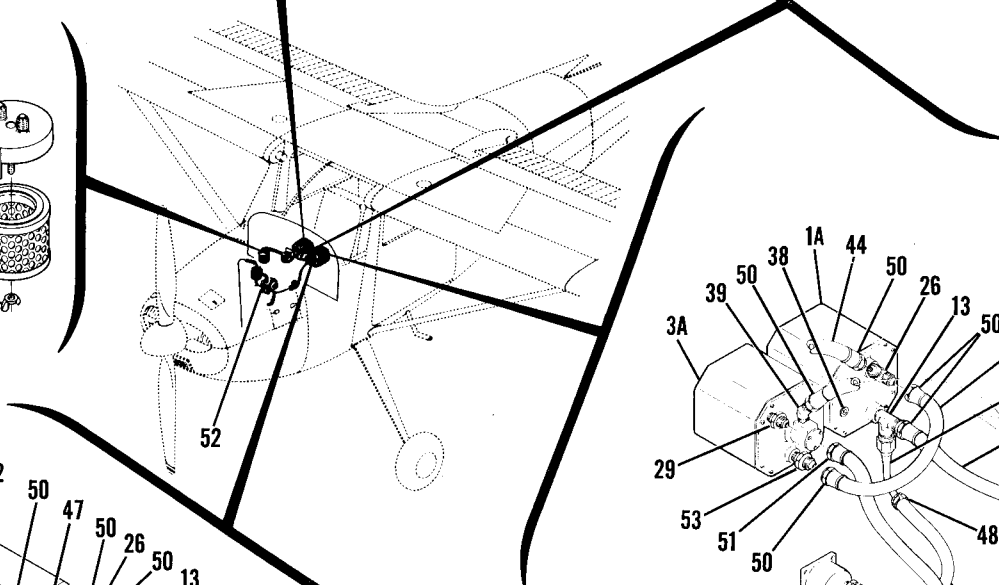
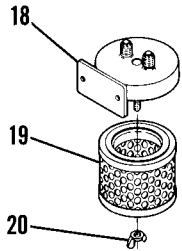
Vacuum System (Cont)



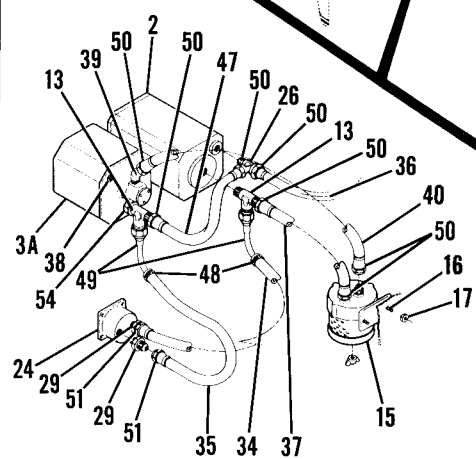
NAVO-MATIC 400



STANDARD & NAVO-MATIC 300
 SERIAL 18051446 THRU 18051774
 SERIAL 185-0777 THRU 185-1149



STANDARD SYSTEM
 SERIAL 18051775 THRU 18051875
 SERIAL 185-1150 THRU 185-1300



NAVO-MATIC 300
 SERIAL 18051775 THRU 18051875
 SERIAL 185-1150 THRU 185-1300

SERIAL 18051446 THRU 18051875
SERIAL 185-0777 THRU 185-1300

Figure 117B. Vacuum System Installation

FIGURE AND INDEX NO.	PART NUMBER	DESCRIPTION	UNITS PER ASSY	USABLE ON CODE
		1 2 3 4 5 6 7		
117B-		VACUUM SYSTEM INSTALLATION-ENGINE DRIVEN -----	NP	A
- 1	C661002-0101	GYRO-DIRECTIONAL REMANUFACTURED WHEN ----- EXHAUSTED ORDER AK172-116 KIT -----	1	B
- 1A	C661002-0201	GYRO-DIRECTIONAL -----	1	C
	C661002-0201R	GYRO-DIRECTIONAL RECONDITIONED -----	1	C
- 2	30370-0100	GYRO-DIRECTIONAL ARC USED WITH NAVO-MATIC 300 & 400 -----	1	
- 3	C661001-0101	GYRO-HORIZON REMANUFACTURED WHEN ----- EXHAUSTED ORDER AK172-116 KIT -----	1	B
- 3A	C661001-0201	GYRO-HORIZON -----	1	C
	C661001-0201R	GYRO-HORIZON RECONDITIONED -----	1	C
- 4	30475-0000	GYRO-HORIZON ARC USED WITH NAV-D-MATIC 400 -----	1	
		ATTACHING PARTS -----		
- 5	2103	PLATE AIM -----	1	
- 6	AN507-1032R8	SCREW -----	4	
- 7	MS21044N3	NUT -----	4	
		-----*		
- 8	S1616-6LL-3.62	HOSE ASSEMBLY -----	1	B
- 9	AN323-6D	ELBOW -----	1	B
	MS20822-6D	ELBOW USED ON NAVO-MATIC 300 ONLY -----	1	B
	MS20826-6D	TEE -----	1	B
-10	S1616-6LL-10.00	HOSE ASSEMBLY -----	1	B
-11	MS20913-2D	PLUG -----	1	B
-12	MS20826-6D	TEE -----	3	B
-13	S1495-6	HOSE-9.50 IN LG BULK ITEM REF S1499-6LL-9.50 -----	2	
-14	S1495-6	HOSE-9.50 IN LG BULK ITEM REF S1499-6LL-9.50 -----	1	B
-15	C294501-0101	AIR FILTER ASSEMBLY ----- ATTACHING PARTS -----	1	
-16	AN3-4A	BOLT -----	2	
-17	MS21044N3	NUT -----	2	
		-----*		
-18	C294501-0102	BRACKET -----	1	
-19	C294501-0103	FILTER ELEMENT ----- ATTACHING PARTS -----	1	
-20	P2274	NUT-WING DCI -----	1	
		-----*		
-21	S1495-6	HOSE-13.50 IN LG BULK ITEM REF S1499-6LL-13.50 -----	1	B
-22	MS20822-4-4D	ELBOW -----	1	B
-23	S1495-4	HOSE-12.00 IN LG BULK ITEM REF S1499-4JJ-12.00 -----	1	B
-24	S1414N1	GAGE-SUCTION -----	1	
-25	S1495-4	HOSE-11.50 IN LG BULK ITEM REF S1499-4JJ-11.50 -----	1	B
-26	MS20826-6D	TEE -----	1	
-27	S1495-6	HOSE-11.00 IN LG BULK ITEM REF S-1499-6LL-11.00 -----	2	
-28	S1495-6	HOSE-5.50 IN LG BULK ITEM REF S1499-6LL-5.50 -----	1	
-29	AN816-4D	NIPPLE -----	3	
-30	S1495-4	HOSE-9.50 IN LG BULK ITEM REF S1499-4JJ-9.50 -----	1	
-31	S1495-4	HOSE-12.00 IN LG BULK ITEM REF S1499-4JJ-12.00 -----	1	
-32	S1495-6	HOSE-9.50 IN LG BULK ITEM REF S1499-6LL-9.50 -----	1	
-33	S1495-6	HOSE-13.50 IN LG BULK ITEM REF S1499-6LL-13.50 -----	1	
-34	S1495-4	HOSE-* IN LG BULK ITEM REF S1691-1-* -----	1	C
-35	S1495-4	HOSE-* IN LG BULK ITEM REF S1691-1-* -----	1	C
-36	S1495-6	HOSE-* IN LG BULK ITEM REF S1499-6LL-* -----	1	C
-37	S1495-6	HOSE-* IN LG BULK ITEM REF S1499-6LL-* -----	1	C
-38	MS20913-1D	PLUG -----	1	C
-39	MS20823-6D	ELBOW -----	1	C
-40	S1495-6	HOSE-* IN LG BULK ITEM REF S1499-6LL-* -----	1	C
-41	S1495-4	HOSE-* IN LG BULK ITEM REF S1499-4JJ-* -----	1	C
-42	S1495-4	HOSE-* IN LG BULK ITEM REF S1691-1-* -----	1	C
-43	S1616-6LL *	HOSE ASSEMBLY -----	1	C
-44	S1495-6	HOSE-* IN LG BULK ITEM REF S1499-6LL-* -----	1	C
-45	S1495-6	HOSE-* IN LG BULK ITEM REF S1499-6LL-* -----	1	C
-46	S1495-6	HOSE-* IN LG BULK ITEM REF S1499-6LL-* -----	1	C
-47	S1616-6LL *	HOSE ASSEMBLY -----	1	C

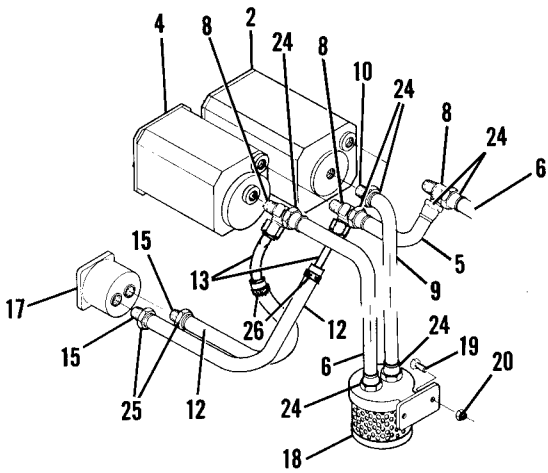
CONTINUED ON NEXT PAGE

FIGURE AND INDEX NO.	PART NUMBER	DESCRIPTION							UNITS PER ASSY	USABLE ON CODE
		1	2	3	4	5	6	7		
117B-48	NAS397-8	#	CLAMP	-----	-----	-----	-----	-----	2	
-49	1713039-1	#	ELBOW ASSEMBLY	-----	-----	-----	-----	-----	2	
-50	S1497-6		FITTING	-----	-----	-----	-----	-----	5	
-51	S1497-4		FITTING	-----	-----	-----	-----	-----	3	
-52			VACUUM SYSTEM-FORWARD OF FIREWALL	-----	SEE FIGURE 117D	-----	-----	-----	1	
-53	AN816-6D		NIPPLE	-----	-----	-----	-----	-----	1	
-54	0713837-1		CONNECTOR	-----	-----	-----	-----	-----	1	
<p>NOTE. %WHEN ORDERING THIS PART FOR AIRCRAFT SERIAL 18051446 THRU 18051740 & SERIAL 185-0777 THRU 185-1088, ALSO ORDER PARTS MARKED #.</p> <p>NOTE. *LENGTH TO BE DETERMINED LATER</p> <p>A---SERIAL 18051446 THRU 18051875 SERIAL 185-0777 THRU 185-1300</p> <p>B---SERIAL 18051446 THRU 18051774 SERIAL 185-0777 THRU 185-1149</p> <p>C---SERIAL 18051775 THRU 18051875 SERIAL 185-1150 THRU 185-1300</p>										

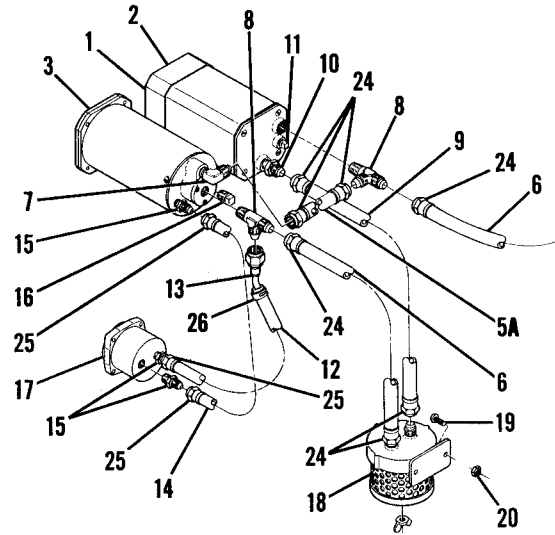


FIGURE AND INDEX NO.	PART NUMBER	DESCRIPTION							UNITS PER ASSY	USABLE ON CODE
		1	2	3	4	5	6	7		
117C-		VACUUM SYSTEM INSTALLATION-ENGINE DRIVEN -----							NP	A
- 1	C661002-0501 **	GYRO-DIRECTIONAL							1	C
	C661002-0505 **	GYRO-DIRECTIONAL					WEU C661002-0505 -----		1	D
	C661075-0102 **	GYRO-DIRECTIONAL					WEU C661075-0102 -----		1	F
	C661002-0301 **	GYRO-DIRECTIONAL							1	E
	C661075-0104 **	GYRO-DIRECTIONAL					WEU C661075-0104 -----		1	F
	C661002-0503 **	GYRO-DIRECTIONAL					WEU C661002-0506 -----		1	C
	C661002-0506 **	GYRO-DIRECTIONAL					WEU C661075-0103 -----		1	D
	C661075-0103 **	GYRO-DIRECTIONAL							1	F
	C661002-0504 **	GYRO-DIRECTIONAL					WEU C661075-0101 -----		1	E
	C661075-0101 **	GYRO-DIRECTIONAL							1	F
- 2	30370-0100	GYRO-DIRECTIONAL					ARC USED WITH NAVO-MATIC 300 & 400 -		1	
							WEU 30370-0102			
	30370-0102	GYRO-DIRECTIONAL					ARC USED WITH NAVO-MATIC 300 & 400 -		1	G
	4C760-0104	GYRO-DIRECTIONAL					ARC USED WITH NAVO-MATIC 300 -----		1	H
CONTINUED ON NEXT PAGE										

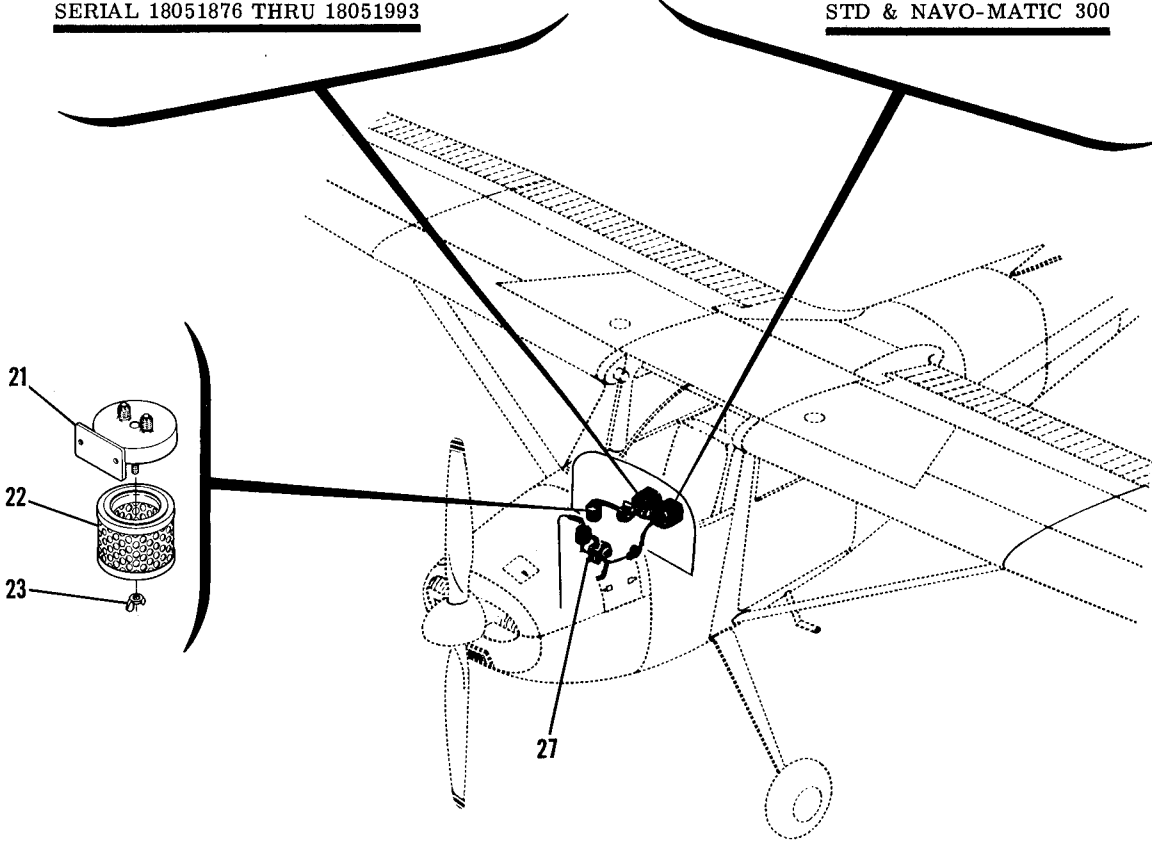
Vacuum System (Cont)



NAVO-MATIC 400
 SERIAL 185-1301 THRU 185-1447
 SERIAL 18051876 THRU 18051993



STD & NAVO-MATIC 300

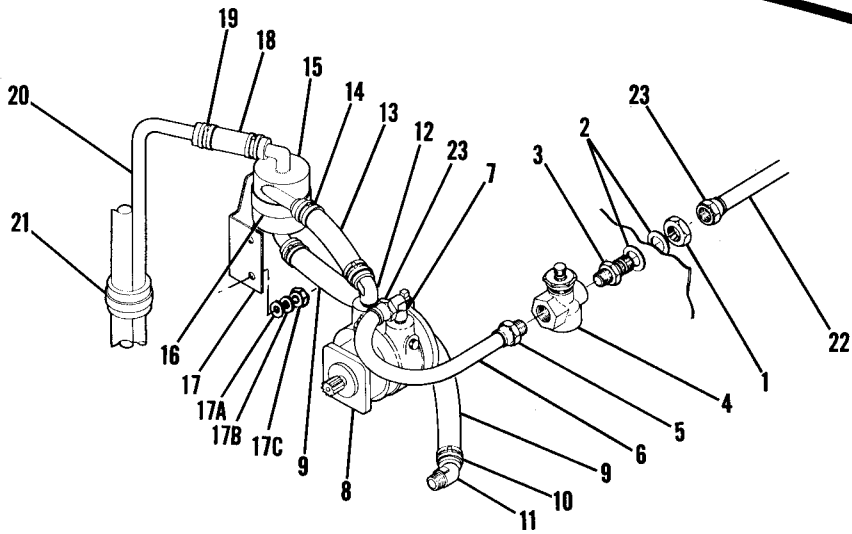
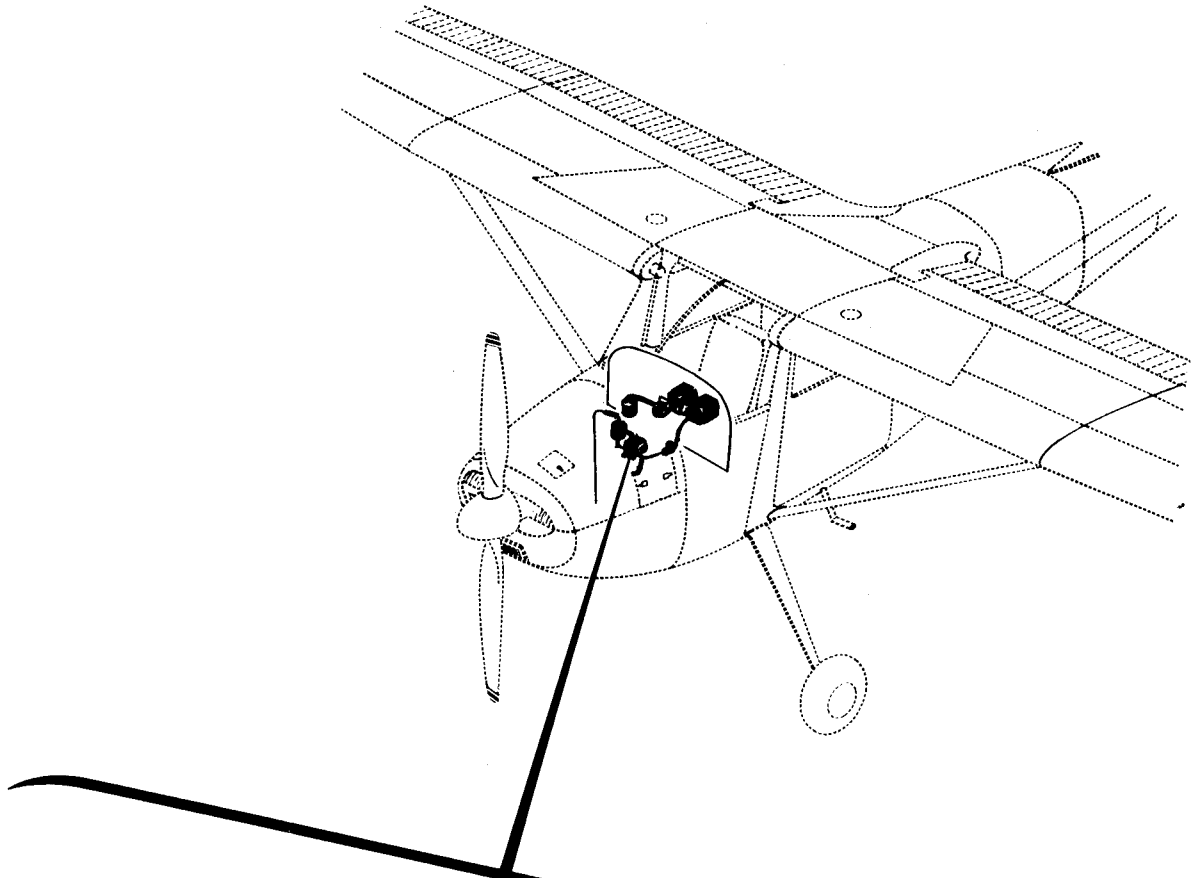


SERIAL 185-1301 & ON
SERIAL 18051876 & ON

Figure 117C. Vacuum System Installation

FIGURE AND INDEX NO.	PART NUMBER		DESCRIPTION							UNITS PER ASSY	USABLE ON CODE
			1	2	3	4	5	6	7		
117C- 3	C661001-0501	*	GYRO-HORIZON	WEU	C661001-0505	-----				1	C
	C661001-0505	*	GYRO-HORIZON	WEU	C661076-0104	-----				1	D
	C661076-0104	*	GYRO-HORIZON	-----						1	F
	C661001-0502	*	GYRO-HORIZON	WEU	C661076-0101	-----				1	E
	C661076-0101	*	GYRO-HORIZON	-----						1	F
	C661001-0503	*	GYRO-HORIZON	WEU	C661076-0102	-----				1	E
	C661076-0102	*	GYRO-HORIZON	-----						1	F
	C661001-0504	*	GYRO-HORIZON	WEU	C661076-0103	-----				1	E
	C661076-0103	*	GYRO-HORIZON	-----						1	F
		37570-0001		GYRO-HORIZON	ARC	USED WITH NAVO-MATIC 400	-----				1
- 4	S1495-6		HOSE-10.00 IN LG	BULK ITEM	REF S1499-6LL-10.00	-----				1	B
- 5	S1495-6		HOSE-10.00 IN LG	BKI	REF S1499-6LL-10.00	-----				1	
- 5A	S1495-6		HOSE-10.50 IN LG	BKI	REF S1499-6LL-10.50	-----				1	
					USED WHEN C661076-0103 IS INSTALLED	-----					
- 6	S1495-6		HOSE-14.75 IN LG	BULK ITEM	REF S1499-6LL-14.75	-----				2	
- 7	MS20822-6D		ELBOW-90 DEG	-----						1	
	MS20823-6D		ELBOW-45 DEG		USED WHEN C661001-0504 IS INSTALLED	-----				1	
	AN816-6D		NIPPLE		USED WHEN C661076-0103 IS INSTALLED	-----				1	
- 8	MS20826-6D		TEE	-----						3	
- 9	S1495-6		HOSE-19.75 IN LG	BULK ITEM	REF S1499-6LL-19.75	-----				1	
-10	AN816-6D		NIPPLE	-----						1	
-11	MS20913-1D		PLUG	-----						1	
-12	S1495-4		HOSE-12.00 IN LG	BULK ITEM	REF S1691-1-12.00	-----				2	
-13	1713039-1		ELBOW ASSEMBLY	-----						2	
-14	S1495-4		HOSE-16.00 IN LG	BULK ITEM	REF S1499-4JJ-16.00	-----				1	
-15	AN816-4D		NIPPLE	-----						3	
-16	MS20913-2D		PLUG	-----						1	
-17	S1414N1		GAGE-SUCTION	WEU	C668540-0101	-----				1	E
	C668540-0101		GAGE-SUCTION	-----						1	F
-18	C294501-0101		AIR FILTER ASSEMBLY	-----						1	
			ATTACHING PARTS	-----							
-19	AN3-4A		BOLT	-----						2	
-20	MS21044N3		NUT	-----						2	
			-----*	-----							
-21	C294501-0102		BRACKET	-----						1	
-22	C294501-0103		FILTER ELEMENT	-----						1	
			ATTACHING PARTS	-----							
-23	P2274		NUT-WING	DCI	-----					1	
			-----*	-----							
-24	S1497-6		END FITTING	-----						8	
-25	S1497-4		END FITTING	-----						3	
-26	NAS397-8		CLAMP	-----						2	
-27			VACUUM SYSTEM-FORWARD OF FIREWALL	SEE FIGURE 117D	-----					1	
<p>NOTE. *THESE GYROS ARE PHYSICALLY & FUNCTIONALLY INTERCHANGEABLE.</p> <p>NOTE. **THESE GYROS ARE PHYSICALLY & FUNCTIONALLY INTERCHANGEABLE.</p>											
<p>A---SERIAL 185-1301 & ON SERIAL 18051876 & ON</p> <p>B---SERIAL 185-1301 THRU 185-1447 SERIAL 18051876 THRU 18051993</p> <p>C---SERIAL 185-1301 THRU 18501797 SERIAL 18051876 THRU 18052163</p> <p>D---SERIAL 18501798 THRU 18501934 SERIAL 18052164 THRU 18052221</p> <p>E---SERIAL 185-1301 THRU 18501934 SERIAL 18051876 THRU 18052221</p> <p>F---SERIAL 18501935 & ON SERIAL 18052222 & ON</p> <p>G---SERIAL 18501935 THRU 18502090 SERIAL 18052222 THRU 18052284</p> <p>H---SERIAL 18502091 & ON SERIAL 18052285 & ON</p>											

Vacuum System (Cont)



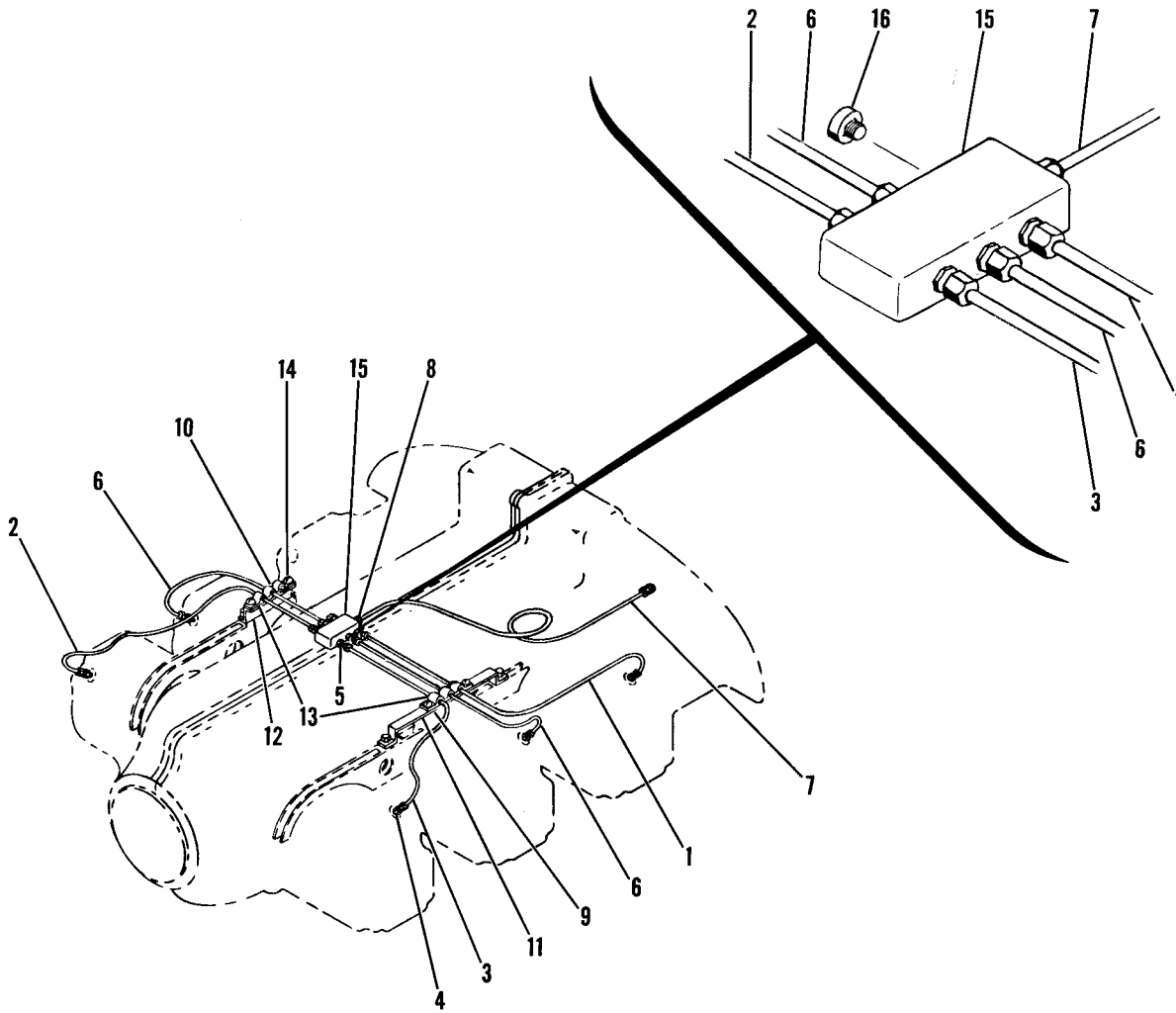
SERIAL 185-0777 & ON
SERIAL 18051446 & ON

Figure 117D. Vacuum System Installation-Forward Of Firewall



FIGURE AND INDEX NO.	PART NUMBER	DESCRIPTION	UNITS PER ASSY	USABLE
				ON CODE
		1 2 3 4 5 6 7		
117D-		VACUUM SYSTEM INSTALLATION-FWD OF FIREWALL -----	NP	A
- 1	AN924-6D	NUT -----	1	
- 2	AN960D916	WASHER -----	2	
- 3	S1988-1	FITTING -----	1	
- 4	C482001-0101	VALVE-VACUUM RELIEF -----	1	
- 5	S1496-6A	FITTING-SOCKETLESS MALE PIPE THREAD & HOSE -----	1	
- 6	S1495-6	HOSE-10.00 IN LG BULK ITEM REF S1499-6DL-10.00 -----	1	
- 7	MS20822-6-6B	ELBOW -----	1	
- 8	C431001-0101	PUMP-VACUUM -----	1	
- 9	S1495-8	HOSE-7.00 IN LG BULK ITEM REF S1495-8-7.00 -----	1	
		ATTACHING PARTS		
-10	NAS397-14	CLAMP -----	2	
		---*---		
-11	AN844-8D	ELBOW -----	1	
-12	AN842-8	ELBOW -----	1	
-13	S1495-8	HOSE-4.00 IN LG BULK ITEM REF S1495-8-4.00 -----	1	
		ATTACHING PARTS		
-14	NAS397-14	CLAMP -----	2	
		---*---		
-15	C165001-0102	SEPARATOR -----	1	
		ATTACHING PARTS		
-16	AN735D36	CLAMP -----	1	
	AN520-10R12	SCREW -----	1	
	MS21044N3	NUT -----	1	
		---*---		
-17	C750025-1	BRACKET -----	1	
		ATTACHING PARTS		
-17A	AN936A416	WASHER -----	2	
-17B	AN960-416	WASHER -----	2	
-17C	AN315-4R	NUT -----	2	
		---*---		
-18	S1495-8	HOSE-2.00 IN LG BULK ITEM REF S1495-8-2.00 -----	1	
		ATTACHING PARTS		
-19	NAS397-14	CLAMP -----	2	
		---*---		
-20	0700147-2	VENT TUBE -----	1	
-21	S1590-4A	CLAMP UC -----	1	
-22	S1495-6	HOSE-GYRO TO FIREWALL SEE FIGURE 117B -----	1	
-23	S1497-6	FITTING-SOCKETLESS SWIVEL AND HOSE -----	1	
		A---SERIAL 18051446 & ON SERIAL 185-0777 & ON		

Fuel System (Cont)

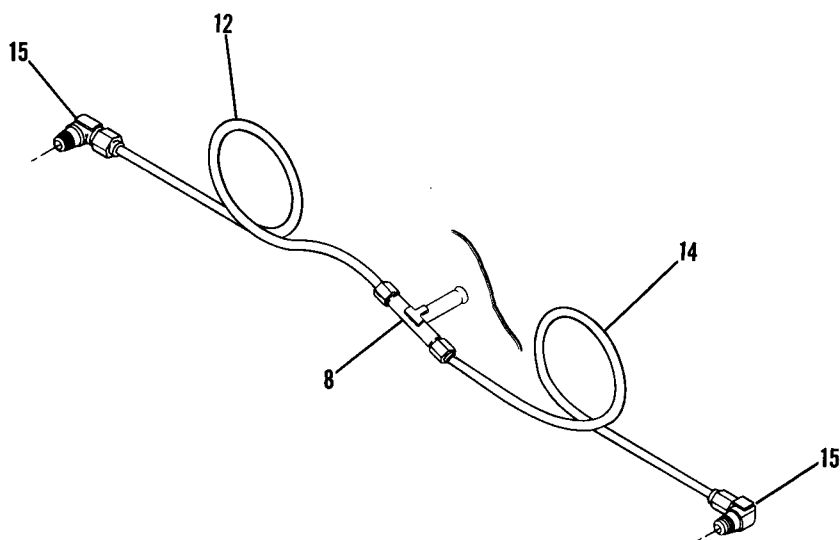
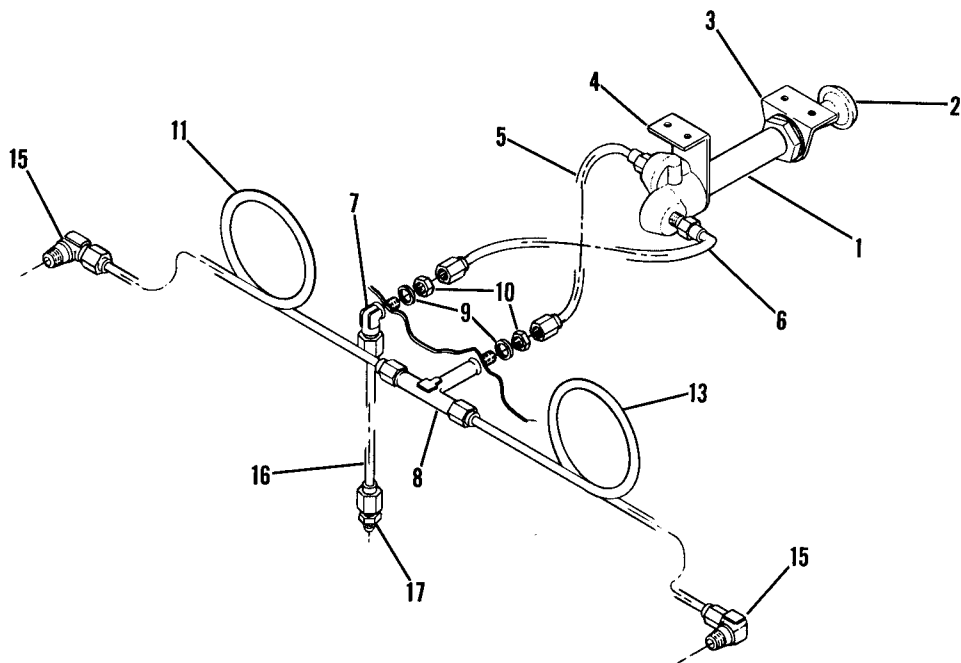


SERIAL 18051184 & ON

Figure 118. Fuel Primer System Installation

FIGURE AND INDEX NO.	PART NUMBER	DESCRIPTION	UNITS PER ASSY	USABLE ON CODE
		1 2 3 4 5 6 7		
118 -		FUEL PRIMER FIVE LINE SYSTEM INSTALLATION -----	NP	A
- 1	0750125-1	LINE ASSEMBLY-CYLINDER 2 TO DISTRIBUTOR -----	1	
		ATTACHING PARTS -----		
	AN4022-1	JET-FUEL -----	1	
	AN780-2	NIPPLE -----	1	
		---*---		
- 2	0750125-2	LINE ASSEMBLY-CYLINDER 5 TO DISTRIBUTOR -----	1	
		ATTACHING PARTS -----		
	AN4022-1	JET-FUEL -----	1	
	AN780-2	NIPPLE -----	1	
		---*---		
- 3	0750125-3	LINE ASSEMBLY-CYLINDER 6 TO DISTRIBUTOR -----	1	
		ATTACHING PARTS -----		
- 4	AN4022-1	JET-FUEL -----	1	
- 5	AN780-2	NIPPLE -----	1	
		---*---		
- 6	0750125-4	LINE ASSEMBLY-CYLINDER 3 AND 4 TO DISTRIBUTOR -----	2	
		ATTACHING PARTS -----		
	AN4022-1	JET-FUEL -----	1	
	AN780-2	NIPPLE -----	1	
		---*---		
- 7	0500106-173	LINE ASSEMBLY-DISTRIBUTOR TO BAFFLE WHEN -----	1	
		EXHAUSTED USE 0700099-83 -----		
	0700099-83	LINE ASSEMBLY-DISTRIBUTOR TO BAFFLE -----	1	
		ATTACHING PARTS -----		
- 8	AN816-2D	NIPPLE -----	1	
		---*---		
- 9	0750125-5	CLAMP ASSEMBLY-LH -----	1	
-10	0750125-6	CLAMP ASSEMBLY-RH -----	1	
-11	0750125-7	BRACKET-MOUNTING LH -----	1	
-12	0750125-8	BRACKET-MOUNTING RH -----	1	
-13	0750125-9	CLAMP -----	2	
		ATTACHING PARTS -----		
-14	S1021Z10-6	SCREW -----	4	
	0750125-11	NUT -----	4	
		---*---		
-15	0750125-10	DISTRIBUTOR-FUEL -----	1	
		ATTACHING PARTS -----		
	AN5-15A	BOLT -----	1	
		---*---		
-16	MS20913-10	PLUG-DISTRIBUTOR -----	1	
		A---SERIAL 18051184 & ON		

Fuel System (Cont)



SERIAL 18051313 & ON
SERIAL 185-0654 & ON

Figure 118A. Fuel Primer System Installation

FIGURE AND INDEX NO.	PART NUMBER	DESCRIPTION	UNITS PER ASSY	USABLE ON CODE
		1 2 3 4 5 6 7		
118A-		FUEL PRIMER SYSTEM INSTALLATION -----	NP	A
- 1	0311538-12	PRIMER ASSEMBLY-HAND WHEN EXHAUSTED USE C291502-0101 ----	1	M
	C291502-0101	PRIMER ASSEMBLY-HAND -----	1	P
	C291502-0103	PRIMER ASSEMBLY-HAND -----	1	Q
- 2	S1240-5	KNOB -----	1	M
	S1752-1	KNOB -----	1	P
	S1974-1	KNOB -----	1	Q
- 3	0713234-2	BRACKET-PRIMER -----	1	C
- 4	0713234-1	BRACKET-PRIMER -----	1	C
- 5	0700087-23	LINE-PRIMER -----	1	D
	0700087-29	LINE-PRIMER WHEN EXHAUSTED USE 0700147-51 ----	1	E
	0700147-51	LINE-PRIMER -----	1	E
- 6	0700087-24	LINE-PRIMER -----	1	D
	0700087-30	LINE-PRIMER WHEN EXHAUSTED USE 0700147-52 ----	1	E
	0700147-52	LINE-PRIMER -----	1	E
- 7	AN833-2D	ELBOW -----	1	K
	AN832-2D	UNION -----	1	L
- 8	AN834-2D	TEE -----	1	
		ATTACHING PARTS		
- 9	AN960-516L	WASHER -----	1	
-10	AN924-2D	NUT -----	1	
		*-----		
-11	0700087-26	LINE-PRIMER RH WHEN EXHAUSTED USE 0700147-53 ----	1	C
	0700147-53	LINE-PRIMER RH -----	1	C
-12	0700087-22	LINE-PRIMER RH WHEN EXHAUSTED USE 0700147-50 ----	1	B
	0700147-50	LINE-PRIMER RH -----	1	B
-13	0700087-27	LINE-PRIMER LH WHEN EXHAUSTED USE 0700147-48 ----	1	C
	0700147-48	LINE-PRIMER LH -----	1	C
-14	0700087-21	LINE-PRIMER LH WHEN EXHAUSTED USE 0700147-49 ----	1	B
	0700147-49	LINE-PRIMER LH -----	1	B
		ATTACHING PARTS		
-15	AN4023-1	ELBOW-PRIMING JET -----	1	
		*-----		
-16	0500106-202	LINE-PRIMER -----	1	F
	0700147-14	LINE-PRIMER -----	1	G
	0700147-17	LINE-PRIMER WHEN EXHAUSTED USE 0700147-47 ----	1	H
	0700147-47	LINE-PRIMER -----	1	H
	0700147-45	LINE-PRIMER USED WITH OIL DILUTION ONLY ----	1	H
		ATTACHING PARTS		
-17	AN816-2D	NIPPLE -----	1	J
	MS20823-2D	ELBOW -----	1	H
		*-----		
		A---SERIAL 18051313 & ON SERIAL 185-0654 & ON		
		B---SERIAL 18051313 & ON		
		C---SERIAL 185-0654 & ON		
		D---SERIAL 18051313 THRU 18051445 SERIAL 185-0654 THRU 185-0776		
		E---SERIAL 18051446 & ON SERIAL 185-0777 & ON		
		F---SERIAL 18051313 THRU 18051496 SERIAL 185-0654 THRU 185-0843		
		G---SERIAL 18051497 THRU 18051655 SERIAL 185-0844 THRU 185-0983		
		H---SERIAL 18051656 & ON SERIAL 185-0984 & ON		
		J---SERIAL 18051313 THRU 18051655 SERIAL 185-0654 THRU 185-0983		
		K---SERIAL 185-0654 THRU 185-0983		
		L---SERIAL 185-0984 & ON		
		M---SERIAL 18051313 THRU 18051875 SERIAL 185-0654 THRU 185-1300		
		N---SERIAL 18051876 & ON SERIAL 185-1301 & ON		
		P---SERIAL 18051876 THRU 18052103 SERIAL 185-1301 THRU 185-1599		
		Q---SERIAL 18052104 & ON SERIAL 18501600 & ON		

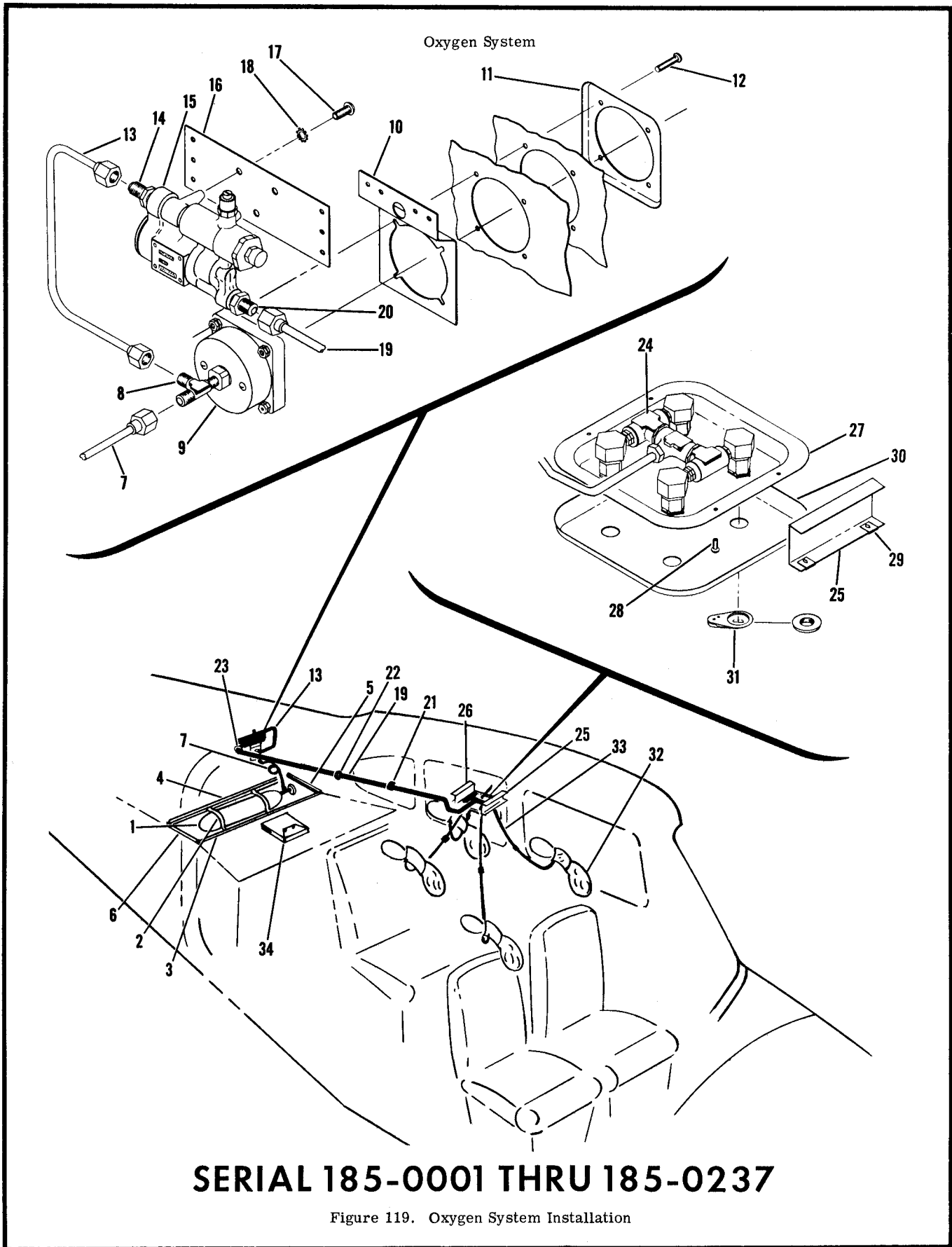
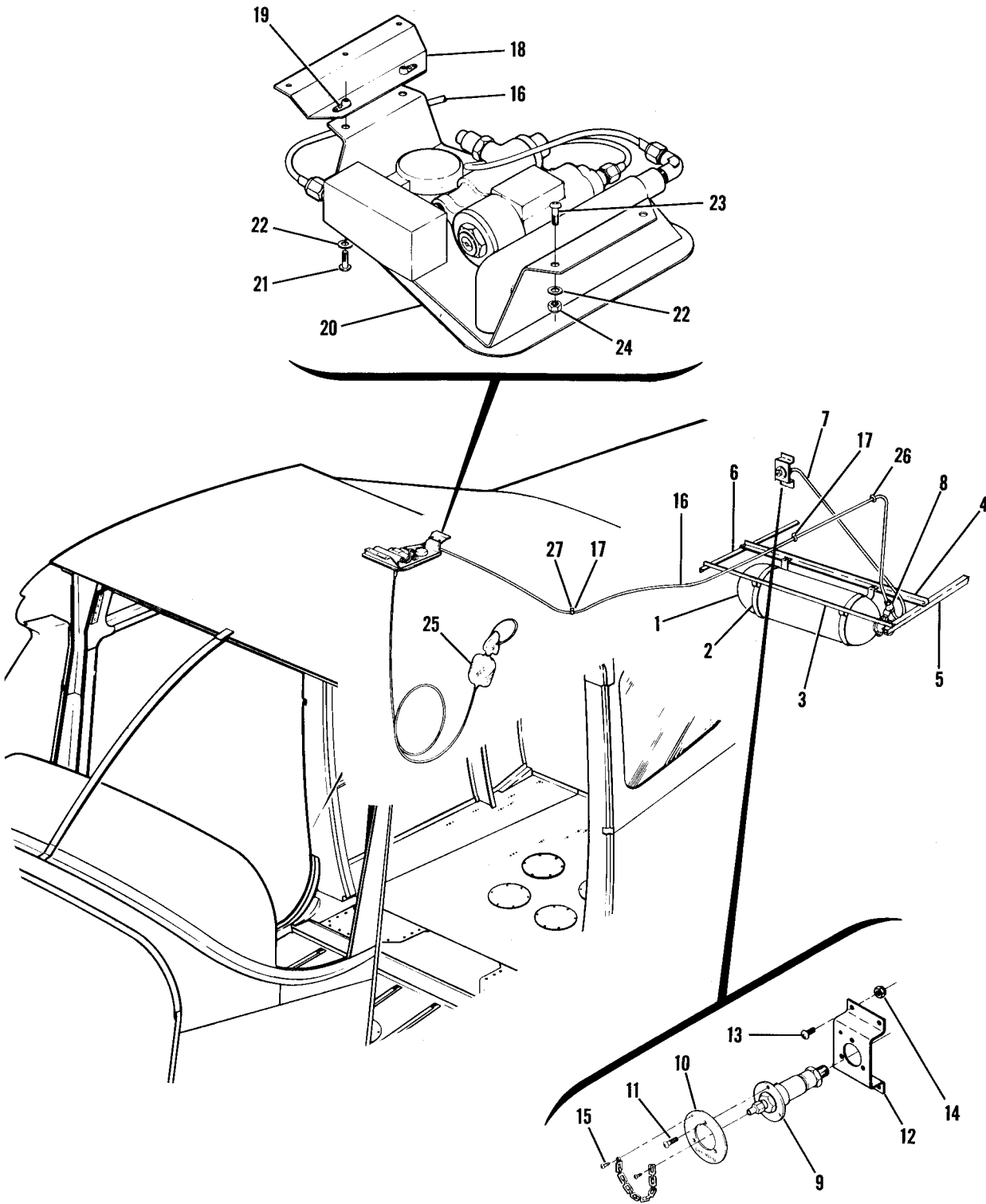


FIGURE AND INDEX NO.	PART NUMBER	DESCRIPTION	UNITS PER ASSY	USABLE ON CODE
		1 2 3 4 5 6 7		
119 -		OXYGEN SYSTEM INSTALLATION -----	NP	A
- 1	1200058-1	CYLINDER AND VALVE ASSEMBLY -----	1	
- 2	1200057-1	MOUNTING BRACKET-CYLINDER -----	2	
		ATTACHING PARTS -----		
	AN4-5A	BOLT -----	2	
	NAS679A4	NUT -----	2	
		-----*		
- 3	0700030-8	ANGLE-TANK SUPPORT FORWARD -----	1	
- 4	0700030-9	ANGLE-TANK SUPPORT AFT -----	1	
- 5	0700030-1	ANGLE-TANK SUPPORT LH -----	1	
- 6	0700030-2	ANGLE-TANK SUPPORT RH -----	1	
- 7	0500106-184	TUBE H.P.-TANK TO GAGE -----	1	
		ATTACHING PARTS -----		
- 8	MS20826-3D	TEE -----	1	
		-----*		
- 9	0812362-1	GAGE-OXYGEN PRESSURE WHEN EXHAUSTED USE S-1325N1 -----	1	
	S1325N1	GAGE-OXYGEN PRESSURE -----	1	
-10	0700030-4	BRACKET-GAGE -----	1	
-11	0700030-3	BEZEL-GAGE -----	1	
		ATTACHING PARTS -----		
-12	AN515B6R	SCREW -----	4	
		-----*		
-13	0500106-185	TUBE H.P.-GAGE TO REGULATOR -----	1	
		ATTACHING PARTS -----		
-14	AN816-3D	NIPPLE -----	1	
		-----*		
-15	0812363-1	REGULATOR-OXYGEN -----	1	
-16	0700030-5	BRACKET-REGULATOR -----	1	
		ATTACHING PARTS -----		
-17	NAS222-5	SCREW -----	3	
-18	AN936B416	WASHER -----	3	
		-----*		
-19	0500106-299	TUBE L.P.-REGULATOR TO MANIFOLD -----	1	
		ATTACHING PARTS -----		
-20	AN816-5D	NIPPLE -----	1	
-21	S1485D5U	CLAMP TIN -----	1	
	S1021Z8-6	SCREW -----	1	
	S350	WASHER-CORK -----	1	
	AN960-10L	WASHER -----	1	
-22	MS21919DG5	CLAMP -----	1	
	NAS446-4-3	NUT -----	1	
	S1021Z8-8	SCREW -----	1	
		-----*		
-23	MS35489-118	GROMMET -----	1	
-24	0800030-2	MANIFOLD-OXYGEN -----	1	
-25	0700030-7	BRACKET-MANIFOLD SUPPORT FORWARD -----	1	
-26	0700030-6	BRACKET-MANIFOLD SUPPORT AFT -----	1	
-27	0800030-14	PAN-MANIFOLD SUPPORT -----	1	
		ATTACHING PARTS -----		
-28	S1021Z6-6	SCREW -----	4	
-29	A1804-6Z3	NUT TIN -----	4	
		-----*		
-30	0800030-5	COVER -----	1	
-31	0812366-1	DUST COVER -----	4	
-32	0812369-1	MASK-OXYGEN WHEN EXHAUSTED USE C166009-0203 -----	4	
	C166009-0203	MASK-OXYGEN -----	4	
-33	0800030-4	LINE ASSEMBLY-MASK -----	4	
-34	0800030-19	CASE-OXYGEN MASK -----	1	
A---SERIAL 185-0001 THRU 185-0237				

Oxygen System

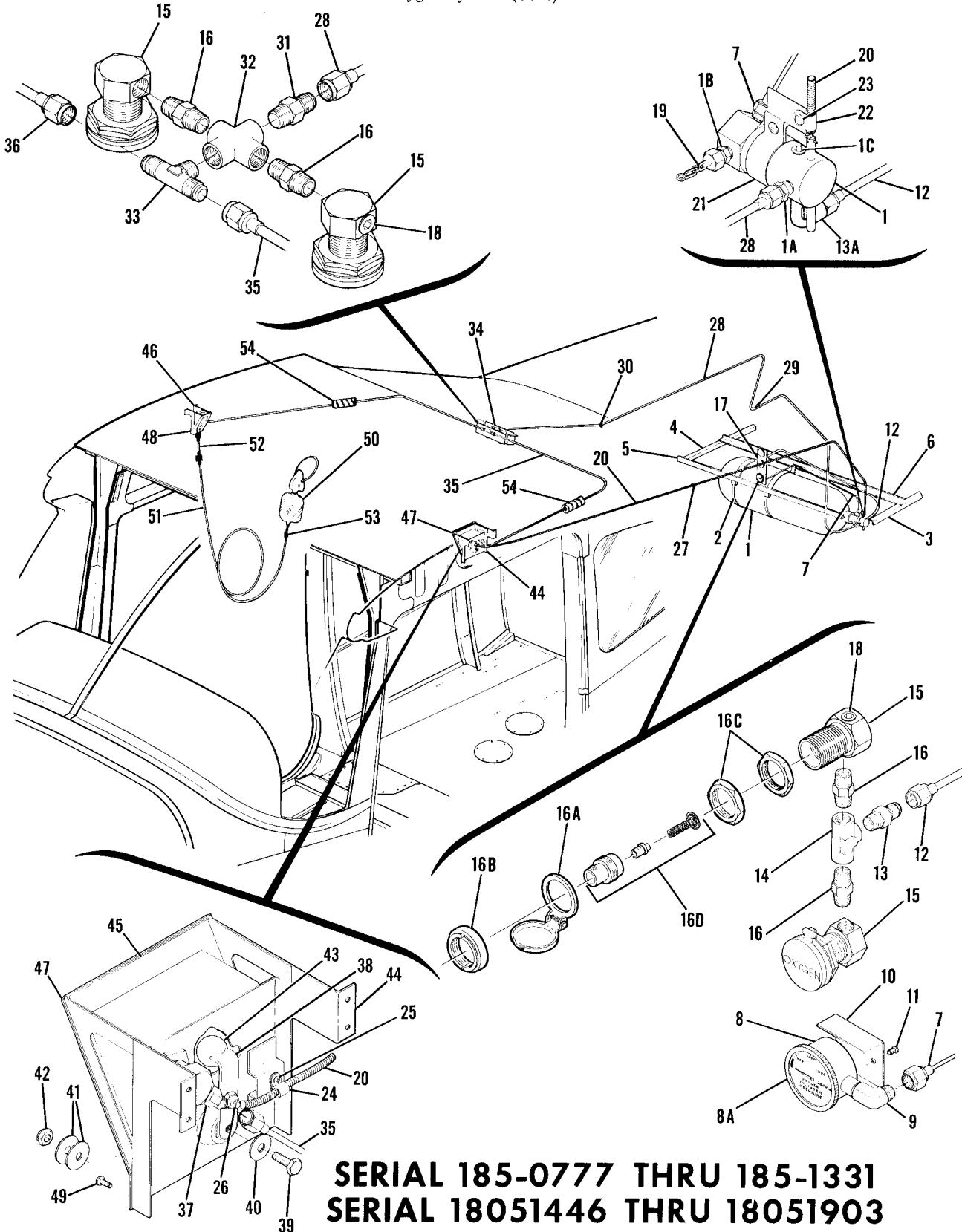


SERIAL 18051184 THRU 18051445
SERIAL 185-0238 THRU 185-0776

Figure 120. Oxygen System Installation

FIGURE AND INDEX NO.	PART NUMBER	DESCRIPTION	UNITS PER ASSY	USABLE ON CODE
		1 2 3 4 5 6 7		
120 -		OXYGEN SYSTEM INSTALLATION -----	NP	A
- 1	1200058-1	CYLINDER & VALVE ASSEMBLY -----	1	
- 2	1200057-1	MOUNTING BRACKET-CYLINDER -----	1	
		ATTACHING PARTS -----		
	AN4-5A	BOLT -----	2	
	NAS679A4	NUT -----	2	
		---*---		
- 3	0700030-8	ANGLE-TANK SUPPORT FORWARD -----	1	
- 4	0700030-9	ANGLE-TANK SUPPORT AFT -----	1	
- 5	0700030-1	ANGLE-TANK SUPPORT LH -----	1	
- 6	0700030-2	ANGLE-TANK SUPPORT RH -----	1	
- 7	0800045-24	LINE ASSEMBLY-OXYGEN -----	1	
- 8	0800045-15	TEE -----	1	
- 9	0800045-6	FILLER VALVE ASSEMBLY-OXYGEN -----	1	
-10	1200054-2	RETAINER-UPHOLSTERY -----	1	
		ATTACHING PARTS -----		
-11	NAS220-8	SCREW -----	3	
		---*---		
-12	0700076-2	BRACKET ASSEMBLY-FILLER VALVE SUPPORT -----	1	B
	0700076-1	BRACKET-FILLER VALVE SUPPORT -----	1	C
		ATTACHING PARTS -----		
-13	AN515-8R8	SCREW -----	4	
-14	NAS679A08	NUT -----	4	
		---*---		
	NAS680A08	NUTPLATE -----	3	B
-15	S1021Z4-6	SCREW-FILLER CAP CHAIN -----	1	
-16	0800045-23	LINE ASSEMBLY-OXYGEN -----	1	
		ATTACHING PARTS -----		
-17	MS21919DG3	CLAMP -----	2	
	S1021Z8-8	SCREW -----	2	
	NAS446-4-3	NUT -----	2	
		---*---		
-18	1200052-1	SUPPORT-AUTOMATIC OXYGEN SYSTEM ASSEMBLY -----	1	
-19	NAS696A3K	NUT-ANCHOR -----	2	
-20	1200055-1	OXYGEN SYSTEM ASSEMBLY-AUTOMATIC -----	1	
		ATTACHING PARTS -----		
-21	AN520-10R7	SCREW -----	2	
-22	AN960D10	WASHER -----	4	
-23	NAS221C-6	SCREW -----	2	
-24	MS21044N3	NUT -----	2	
		---*---		
-25	1200059-1	MASK ASSEMBLY-OXYGEN -----	5	
	7	MASK-OXYGEN ZEP -----	1	
-26	MS35489-11	GROMMET -----	1	B
-27	0511299-1	BRACKET -----	1	B
		A---SERIAL 185-0238 THRU 185-0776		
		SERIAL 18051184 THRU 18051445		
		B---SERIAL 185-0238 THRU 185-0776		
		C---SERIAL 18051184 THRU 18051445		

Oxygen System (Cont)



SERIAL 185-0777 THRU 185-1331
SERIAL 18051446 THRU 18051903

Figure 120A. Oxygen System Installation

FIGURE AND INDEX NO.	PART NUMBER	DESCRIPTION	UNITS PER ASSY	USABLE ON CODE
		1 2 3 4 5 6 7		
120A-		OXYGEN SYSTEM INSTALLATION -----	NP	A
- 1	C166001-0104	CYLINDER & REGULATOR ASSEMBLY -----	1	
	C166002-0101	REGULATOR ASSEMBLY -----	1	
- 1A	C166002-0104	RELIEF VALVE-LOW PRESSURE -----	1	
- 1B	C166002-0103	RELIEF VALVE-HIGH PRESSURE -----	1	
- 1C	AN932S2	PLUG -----	1	
- 2	C166007-0102	BRACKET-MOUNTING -----	2	
		ATTACHING PARTS -----		
	AN4-4A	BOLT -----	2	
	NAS679A4	NUT -----	2	
		*-----		
- 3	0712014-1	ANGLE-TANK SUPPORT LH -----	1	
- 4	0712014-2	ANGLE-TANK SUPPORT RH -----	1	
- 5	0712014-6	ANGLE-TANK SUPPORT FORWARD -----	1	
- 6	0712014-7	ANGLE-TANK SUPPORT AFT -----	1	
- 7	C166010-0105	LINE ASSEMBLY-OXYGEN -----	1	
	C166010-0101	GAGE ASSEMBLY-OXYGEN PRESSURE -----	1	
- 8	C166010-0102	GAGE -----	1	
- 8A	C166010-0103	BEZEL -----	1	
- 9	S1529-1	ELBOW -----	1	
	0710652-1	ESCUTCHEON NOT ILLUSTRATED -----	1	
-10	0710650-2	BRACKET-GAGE -----	1	
-11	AN515-6R5	SCREW -----	1	
-12	0700147-7	LINE ASSEMBLY WHEN EXHAUSTED USE 0700147-38 -----	1	
	0700147-38	LINE ASSEMBLY -----	1	
		ATTACHING PARTS -----		
-13	AN816-3D	NIPPLE -----	1	
-13A	MS20822-3D	ELBOW -----	1	
		*-----		
-14	AN917-1D	TEE -----	1	
-15	C166006-0101	VALVE ASSEMBLY WHEN EXHAUSTED USE C166006-0104 -----	6	
	C166006-0104	VALVE ASSEMBLY -----	6	
		ATTACHING PARTS -----		
-16	AN911-1D	NIPPLE -----	4	
		*-----		
-16A	Z651-1	COVER ASSEMBLY ZEPA -----	1	
-16B	Z651-3	LOCK RING ZEPA -----	1	
-16C	Z651-13	NUT-JAM ZEPA -----	2	
-16D	C166006-0108	KIT-VALVE -----	1	
-17	0710650-1	BRACKET-AFT -----	1	
	1200415-7	ESCUTCHEON INSTALLED ON OXYGEN PORTS -----	2	
-18	AN932D2	PLUG -----	6	
-19	S1526-1	FILLER VALVE ASSEMBLY -----	1	
	S1520-1	CAP & CHAIN ASSEMBLY -----	1	
-20	S1489-2	CONTROL-REGULATOR -----	1	
		ATTACHING PARTS -----		
-21	1200415-5	CLAMP -----	1	
	AN520-10R8	SCREW -----	1	
-22	S1485D5U	CLAMP -----	1	
-23	S1021Z8-6	SCREW -----	1	
-24	AN742D5	CLAMP -----	1	
-25	AN520-10R7	SCREW -----	1	
-26	0450311-5	CLAMP -----	1	
	AN960-10	WASHER -----	1	AR
	MS21044N3	NUT -----	3	
-27	S1592-1A	CLAMP -----	1	
	S1021Z6-6	SCREW -----	1	
		*-----		
-28	0700147-6	LINE ASSEMBLY WHEN EXHAUSTED USE 0700147-37 -----	1	
	0700147-37	LINE ASSEMBLY -----	1	
		ATTACHING PARTS -----		
-29	S1592-1A	CLAMP -----	1	
	S1021Z6-6	SCREW -----	1	
-30	S1486D65U	CLAMP -----	1	
	S1021Z8-10	SCREW -----	1	
-31	AN816-3D	NIPPLE -----	1	
		*-----		
-32	AN918-1D	CROSS -----	1	
-33	MS20825-6D	TEE -----	1	
-34	0710648-1	BRACKET-CENTER -----	1	
	1200415-7	ESCUTCHEON INSTALLED ON OXYGEN PORTS -----	2	

CONTINUED ON NEXT PAGE



FIGURE AND INDEX NO.	PART NUMBER	DESCRIPTION	UNITS PER ASSY	USABLE ON CODE
120A-35	0700147-4	LINE ASSEMBLY-PILOT OUTLET WHEN EXHAUSTED USE 0700147-35	1	
-36	0700147-35	LINE ASSEMBLY-PILOT OUTLET	1	
	0700147-5	LINE ASSEMBLY-COPILOT OUTLET WHEN EXHAUSTED USE 0700147-36	1	
	0700147-36	LINE ASSEMBLY-COPILOT OUTLET	1	
-37	AN816-3D	ATTACHING PARTS NIPPLE	1	
-38	0710642-1	ARM-OXYGEN CONTROL ATTACHING PARTS	1	
-39	AN3-5A	BOLT	1	
-40	AN970-3	WASHER	2	
-41	S1438-2	WASHER	2	
-42	MS21044N3	NUT	1	
-43	S1249-1	KNOB-CONTROL ARM ATTACHING PARTS	1	
	AN507-1032R14	SCREW	1	
-44	0710641-1	BRACKET-LH FORWARD	1	
-45	0710644-1	ANGLE-LH FORWARD	1	
-46	0710643-1	BRACKET-RH FORWARD	1	
	0710645-1	ANGLE-RH FORWARD	1	
-47	0710646-1	COVER-PLATE LH	1	
-48	0710647-1	COVER-PLATE RH ATTACHING PARTS	1	
-49	S1021Z6-6	SCREW	4	
	C166005-0101	MASK ASSEMBLY WHEN EXHAUSTED USE C166005-0501	5	B
	C166005-0501	MASK & LINE ASSEMBLY	5	C
-50	C166009-0501	* MASK ASSEMBLY	1	
-51	C166005-0504	* LINE & FITTING ASSEMBLY 8,000-14,000 FT	1	
-52	ZH727-8	* LINE & FITTING ASSEMBLY ZEPA	1	
-53	ZH716	* HOSE ASSEMBLY ZEPA	1	
	C166005-0102	MASK ASSEMBLY-PILOT WHEN EXHAUSTED USE C166005-0502	1	B
	C166005-0502	MASK & LINE ASSEMBLY-PILOT	1	C
	C166009-0501	* MASK ASSEMBLY	1	
	C166005-0505	* LINE & FITTING ASSEMBLY 14,000-22,000 FT	1	
	ZH727-14	* LINE & FITTING ASSEMBLY ZEPA	1	
	ZH716	* HOSE ASSEMBLY ZEPA	1	
-54	S1399-1	SLEEVE-8.00 IN LG BULK ITEM REF S1399-1-8.00	2	

NOTE. □THIS PART NUMBER MUST HAVE A SECOND DASH NUMBER ADDED TO DENOTE COLOR. REFER TO HOW TO ORDER INTERIOR PARTS-PAGE XIII.

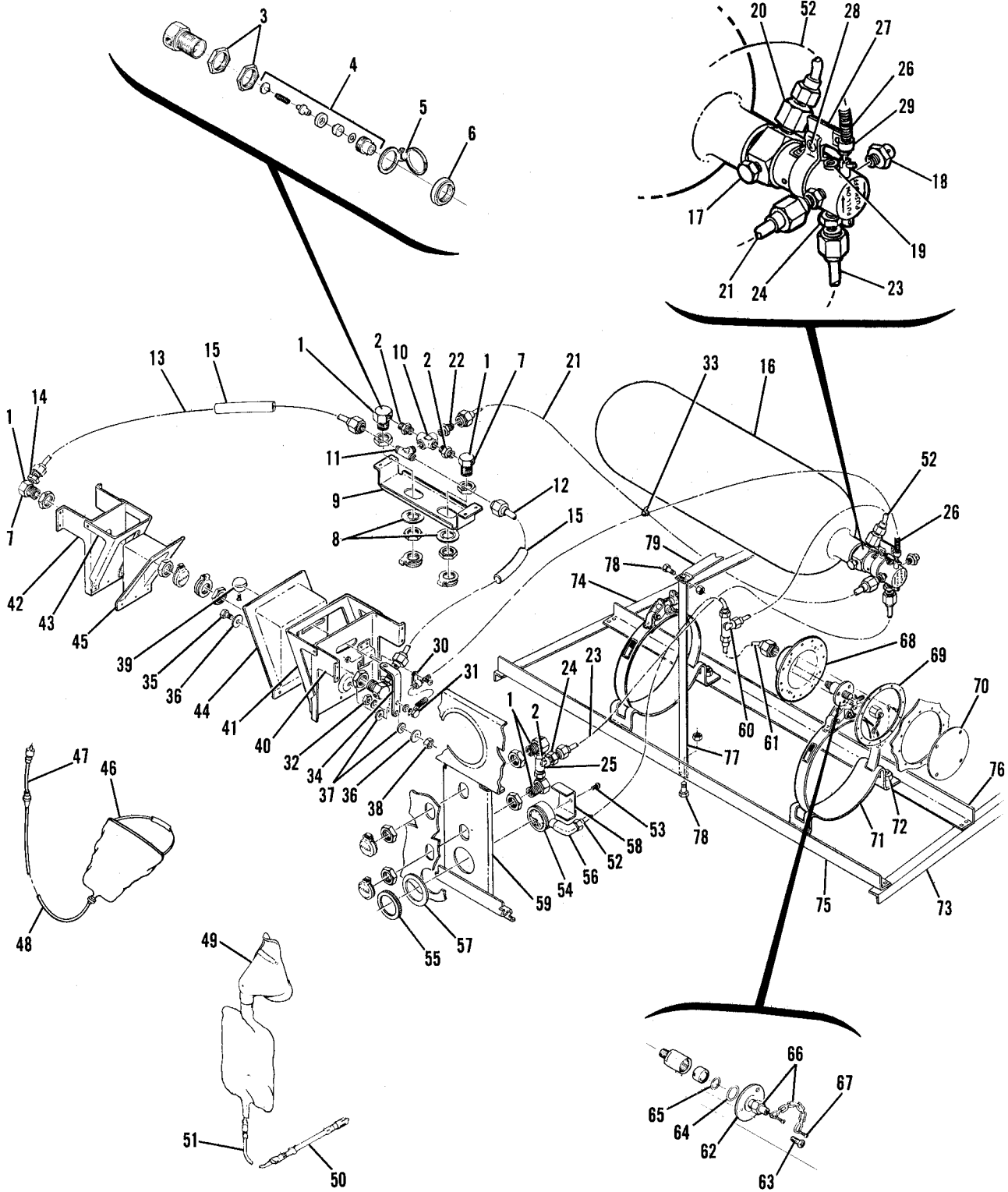
NOTE. *THESE PARTS ARE APPLICABLE TO THE SUPPORT OF C166005-0501 & C166005-0502 ONLY.

A---SERIAL 18051446 THRU 18051903
 SERIAL 185-0777 THRU 185-1331
 B---SERIAL 18051446 THRU 18051637
 SERIAL 185-0777 THRU 185-0984
 C---SERIAL 18051638 THRU 18051903
 SERIAL 185-0985 THRU 185-1331

FIGURE AND INDEX NO.	PART NUMBER	DESCRIPTION	UNITS PER ASSY	USABLE ON CODE
		1 2 3 4 5 6 7		
120B-		OXYGEN SYSTEM INSTALLATION -----	NP	A
- 1	C166006-0101 C166006-0104	VALVE ASSEMBLY WHEN EXHAUSTED USE C166006-0104 ----- VALVE ASSEMBLY -----	6 6	
- 2	AN911-1D	ATTACHING PARTS ----- NIPPLE ----- ---*---	4	
- 3	Z651-13	NUT-JAM ZEPA -----	2	
- 4	C166006-0108	KIT-VALVE REPAIR -----	1	
- 5	Z651-1	COVER ASSEMBLY ZEPA -----	1	
- 6	Z651-3	LOCK RING ZEPA -----	1	
- 7	AN932D2	PLUG -----	6	
- 8	1200415-7	ESCUTCHEON -----	2	
- 9	0710648-1	BRACKET-CENTER -----	1	
-10	AN918-1D	CROSS -----	1	
-11	MS20825-6D	TEE -----	1	
-12	0700147-4 0700147-35	TUBE ASSEMBLY-PILOT OUTLET WHEN EXHAUSTED USE 0700147-35- TUBE ASSEMBLY-PILOT OUTLET -----	1 1	B C
-13	0700147-5 0700147-36	TUBE ASSEMBLY-COPILOT OUTLET WHEN EXHAUSTED USE 0700147-36- TUBE ASSEMBLY-COPILOT OUTLET -----	1 1	B C
-14	AN816-3D	ATTACHING PARTS ----- NIPPLE ----- ---*---	1	
-15	S1399-1	SLEEVE-8.00 IN LG BULK ITEM REF S1399-1-8.00 -----	2	
-16	C166001-0104 C166002-0101	CYLINDER & REGULATOR ASSEMBLY ----- REGULATOR ASSEMBLY -----	1 1	
-17	C166002-0103	RELIEF VALVE-HIGH PRESSURE -----	1	
-18	C166002-0104	RELIEF VALVE-LOW PRESSURE -----	1	
-19	AN932-S2	PLUG -----	1	
-20	ZF604	ADAPTOR ZEPA -----	1	
-21	0700147-6 0700147-37	TUBE ASSEMBLY WHEN EXHAUSTED USE 0700147-37 ----- TUBE ASSEMBLY -----	1 1	B C
-22	AN816-3B S1486DG5U S1021Z8-10 S1592-1A S1021Z6-6	ATTACHING PARTS ----- NIPPLE ----- CLAMP ----- SCREW ----- CLAMP ----- SCREW ----- ---*---	1 1 1 1 1	
-23	0700147-7 0700147-38	TUBE ASSEMBLY WHEN EXHAUSTED USE 0700147-38 ----- TUBE ASSEMBLY -----	1 1	B C
-24	AN816-3D	ATTACHING PARTS ----- NIPPLE ----- ---*---	2	
-25	AN917-1D	TEE -----	1	
-26	S1489-2	CONTROL-OXYGEN -----	1	
-27	1200415-5	ATTACHING PARTS -----	1	
-28	AN520-10R8 MS21044N3	CLAMP ----- SCREW ----- NUT -----	1 1 1	
-29	S1485D5U S1021Z8-6	CLAMP ----- SCREW -----	1 1	
-30	AN742D5 AN520-10R8 MS21044N3	CLAMP ----- SCREW ----- NUT -----	1 1 1	
-31	0450311-5 AN960-10	CLAMP ----- WASHER -----	1 1	AR
-32	MS21044N3	NUT -----	1	
-33	S1592-1A S1021Z6-6	CLAMP ----- SCREW ----- ---*---	1 1	
-34	0710642-1	ARM-OXYGEN CONTROL -----	1	
-35	AN3-5A	ATTACHING PARTS ----- BOLT -----	1	
-36	AN970-3	WASHER -----	2	
-37	S1438-2	WASHER -----	2	
-38	MS21044N3	NUT ----- ---*---	1	
-39	S1249-1 AN507-1032R14	KNOB ----- ATTACHING PARTS ----- SCREW ----- ---*---	1 1	
-40	0710641-1	BRACKET-LH FORWARD OXYGEN OUTLET -----	1	
-41	0710644-1	ANGLE-LH FORWARD -----	1	
-42	0710643-1	BRACKET-RH FORWARD OXYGEN OUTLET -----	1	
-43	0710645-1	ANGLE-RH FORWARD -----	1	

CONTINUED ON NEXT PAGE

Oxygen System (Cont)



SERIAL 18051904 THRU 18052103
SERIAL 185-1332 THRU 185-1599

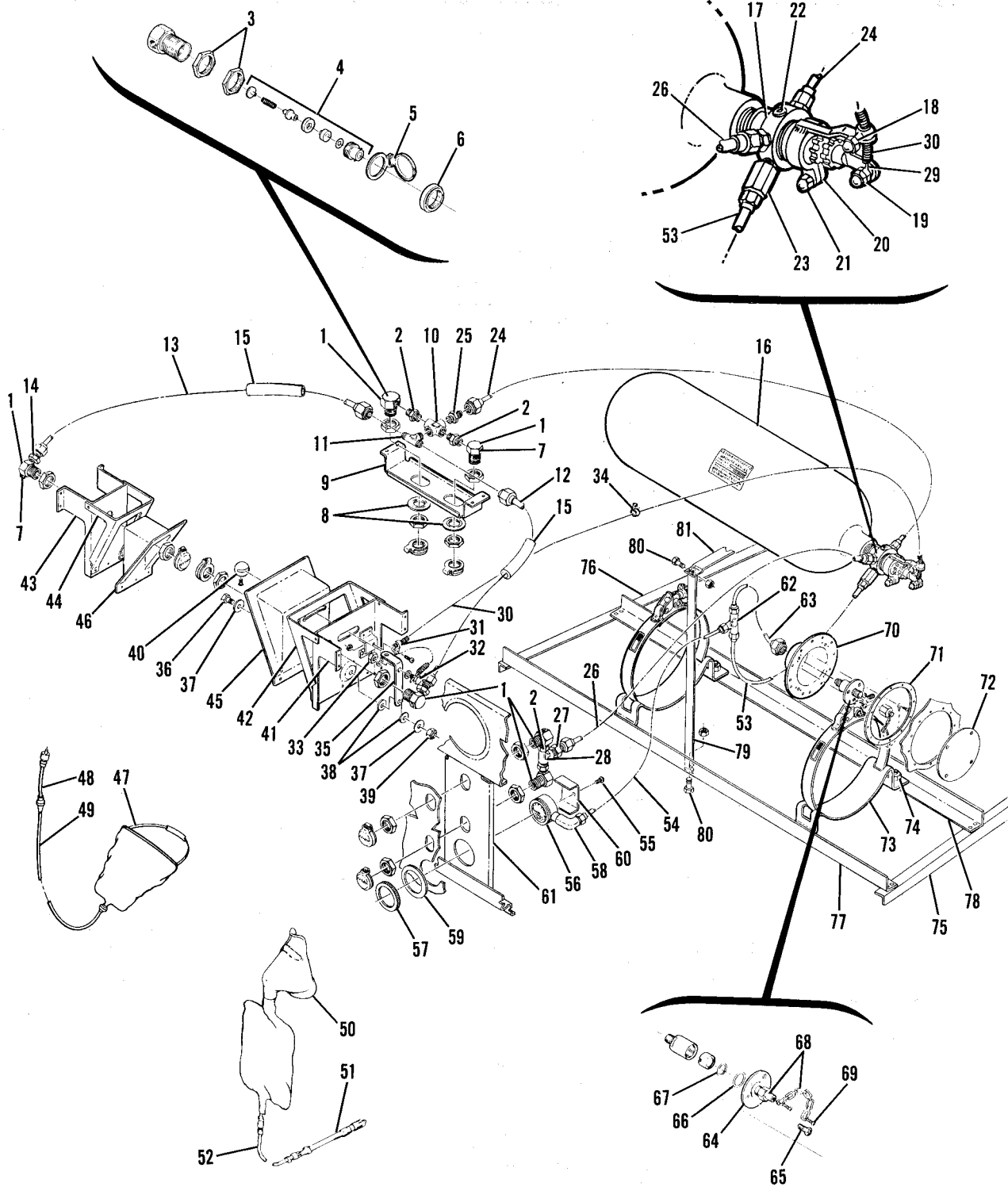
Figure 120B. Oxygen System Installation

FIGURE AND INDEX NO.	PART NUMBER		DESCRIPTION	UNITS PER ASSY	USABLE ON CODE
		1 2 3 4 5 6 7			
120B-44	0710646-1	□	COVER PLATE-LH -----	1	
-45	0710647-1	□	COVER PLATE-RH -----	1	
	S1021Z6-6		ATTACHING PARTS -----	4	
			SCREW -----	*	
	C166005-0501		MASK & LINE ASSEMBLY-PASSENGER -----	5	D E E D
	C166005-0204		MASK & LINE ASSEMBLY-PASSENGER -----	5	
-46	C166005-0205		MASK ASSEMBLY -----	1	
	C166009-0501		MASK ASSEMBLY -----	1	
	C166005-0504		LINE & FITTING ASSEMBLY 8,000-14,000 FT -----	1	
-47	ZH727-8		LINE & FITTING ASSEMBLY ZEPA -----	1	
-48	ZH716		HOSE ASSEMBLY ZEPA -----	1	
	C166005-0502		MASK & LINE ASSEMBLY-PILOT -----	1	
-49	C166009-0501		MASK ASSEMBLY -----	1	
	C166005-0505		LINE & FITTING ASSEMBLY 14,000-22,000 FT -----	1	
-50	ZH727-14		LINE & FITTING ASSEMBLY ZEPA -----	1	
-51	ZH716		HOSE ASSEMBLY ZEPA -----	1	
-52	C166010-0105		LINE ASSEMBLY-OXYGEN -----	2	
	C166010-0101		GAGE ASSEMBLY-OXYGEN PRESSURE -----	1	
			ATTACHING PARTS -----	*	
-53	AN515-6R5		SCREW -----	1	
			-----*	*	
-54	C166010-0102		GAGE -----	1	
-55	C166010-0103		BEZEL -----	1	
-56	S1529-1		ELBOW -----	1	
-57	0710652-1	□	ESCUTCHEON -----	1	
-58	0710650-2		BRACKET-GAGE -----	1	
-59	0710650-1		BRACKET-AFT -----	1	
-60	S1724-1		TEE -----	1	
-61	S1721-12		LINE ASSEMBLY-OXYGEN TEE TO FILLER -----	1	
-62	C166008-0101		VALVE ASSEMBLY-OXYGEN FILLER -----	1	
			ATTACHING PARTS -----	*	
-63	AN515-8R8		SCREW -----	3	
			-----*	*	
-64	2-15		O RING PKSC -----	1	
-65	2-11		O RING PKSC -----	1	
-66	S1520-1		CAP & CHAIN ASSEMBLY -----	1	
-67	S1021Z4-6		SCREW -----	1	
-68	1200429-15		VALVE ADAPTOR ASSEMBLY -----	1	
	NAS697A08		NUTPLATE -----	3	
	NAS697A06L		NUTPLATE -----	4	
-69	1200429-13		SPACER -----	1	
-70	1200429-12		COVER-VALVE -----	1	
			ATTACHING PARTS -----	*	
	AN515-6R6		SCREW -----	4	
			-----*	*	
-71	C166007-0102		MOUNTING BRACKET-OXYGEN BOTTLE -----	2	
			ATTACHING PARTS -----	*	
-72	AN4-4A		BOLT -----	2	
	NAS679A4		NUT -----	2	
			-----*	*	
-73	0712014-1		ANGLE-TANK SUPPORT LH -----	1	
-74	0712014-2		ANGLE-TANK SUPPORT RH -----	1	
-75	0712014-6		ANGLE-TANK SUPPORT FORWARD -----	1	
-76	0712014-7		ANGLE-TANK SUPPORT AFT -----	1	
-77	0713916-1		SUPPORT -----	1	
			ATTACHING PARTS -----	*	
-78	AN3-3A		BOLT -----	2	
	MS21044N3		NUT -----	2	
			-----*	*	
-79	0712007-4		STIFFENER -----	1	

NOTE. □THIS PART NUMBER MUST HAVE A SECOND DASH NUMBER ADDED TO DENOTE COLOR. REFER TO HOW TO ORDER INTERIOR PARTS-PAGE XIII.

- A---SERIAL 18051904 THRU 18052103
SERIAL 185-1332 THRU 185-1599
- B---SERIAL 18051904 THRU 18052076
SERIAL 185-1332 THRU 185-1539
- C---SERIAL 18052077 THRU 18052103
SERIAL 185-1540 THRU 185-1599
- D---SERIAL 18051904 THRU 18051946
SERIAL 185-1332 THRU 185-1392
- E---SERIAL 18051947 THRU 18052103
SERIAL 185-1393 THRU 185-1599

Oxygen System (Cont)



SERIAL 18052104 & ON
SERIAL 18501600 & ON

Figure 120C. Oxygen System Installation

FIGURE AND INDEX NO.	PART NUMBER	DESCRIPTION	UNITS PER ASSY	USABLE ON CODE
		1 2 3 4 5 6 7		
120C-		OXYGEN SYSTEM INSTALLATION -----	NP	A
- 1	C166006-0104	VALVE ASSEMBLY-OXYGEN OUTLET -----	6	B
	C166006-0109	VALVE ASSEMBLY-OXYGEN OUTLET -----	6	C
		ATTACHING PARTS -----		
- 2	AN911-1D	NIPPLE -----	4	
		---*---		
- 3	Z651-13	NUT-JAM ZEP A -----	2	
- 4	C166006-0108	KIT-VALVE REPAIR -----	1	
- 5	Z651-1	COVER ASSEMBLY ZEP A -----	1	
- 6	Z651-3	LOCK RING ZEP A -----	1	
- 7	AN932C2	PLUG -----	6	
- 8	1200415-7	ESCUTCHEON -----	2	
- 9	0710648-1	BRACKET-CENTER -----	1	
-10	AN918-1D	CROSS -----	1	
-11	MS20825-6D	TEE -----	1	
-12	0700147-35	TUBE ASSEMBLY-PILOT OUTLET -----	1	
-13	0700147-36	TUBE ASSEMBLY-COPILOT OUTLET -----	1	
		ATTACHING PARTS -----		
-14	AN816-3D	NIPPLE -----	1	
		---*---		
-15	S1399-1	SLEEVE-8.00 IN LG BULK ITEM REF S1399-1-8.00 -----	2	
-16	C166001-0601	CYLINDER & REGULATOR ASSEMBLY -----	1	
-17	C166002-0401	REGULATOR ASSEMBLY -----	1	
-18	10-8001C	NUT ZEP A -----	1	
	16-8500C	SETSCREW ZEP A -----	1	
-19	10-8001C	NUT ZEP A -----	1	
	16-8375C	SET SCREW ZEP A -----	1	
-20	91-8000AC	CLAMP ZEP A -----	1	
		ATTACHING PARTS -----		
-21	16-2000C	BOLT ZEP A -----	1	
	97NT3-048	NUT ZEP A -----	1	
		---*---		
-22	12-4862	PLUG-SAFETY ZEP A -----	1	
	AN932C2	PLUG -----	1	
-23	ZF604	ADAPTOR ASSEMBLY -----	1	
-24	0700147-54	TUBE ASSEMBLY -----	1	
		ATTACHING PARTS -----		
-25	AN816-3B	NIPPLE -----	1	
	S1486DG5U	CLAMP -----	1	
	S102128-10	SCREW -----	1	
	S1592-1A	CLAMP -----	1	
	S102126-6	SCREW -----	1	
		---*---		
-26	0700147-55	TUBE ASSEMBLY -----	1	
		ATTACHING PARTS -----		
-27	AN816-3D	NIPPLE -----	1	
		---*---		
-28	AN917-1D	TEE -----	1	
-29	S1398-1	WIRE-86.00 IN LG BULK ITEM REF S1398-1-86.00 -----	1	
-30	S1398-2	CASING-80.00 IN LG BULK ITEM REF S1398-2-80.00 -----	1	
		ATTACHING PARTS -----		
-31	AN742D5	CLAMP -----	1	
	AN520-10R8	SCREW -----	1	
	MS21044N3	NUT -----	1	
-32	0450311-5	CLAMP -----	1	
	AN960-10	WASHER -----	1	AR
-33	MS21044N3	NUT -----	1	
-34	S1592-1A	CLAMP -----	1	
	S102126-6	SCREW -----	1	
		---*---		
-35	0710642-2	ARM-OXYGEN CONTROL -----	1	
		ATTACHING PARTS -----		
-36	AN3-5A	BOLT -----	1	
-37	AN970-3	WASHER -----	2	
-38	S1438-2	WASHER -----	2	
-39	MS21044N3	NUT -----	1	
		---*---		
-40	S1249-1	KNOB -----	1	
		ATTACHING PARTS -----		
	AN507-1032R14	SCREW -----	4	
		---*---		
-41	0710641-1	BRACKET-LH FORWARD OXYGEN OUTLET -----	1	
-42	0710644-1	ANGLE-LH FORWARD -----	1	
-43	0710643-1	BRACKET-RH FORWARD OXYGEN OUTLET -----	1	
-44	0710645-1	ANGLE-RH FORWARD -----	1	

CONTINUED ON NEXT PAGE

FIGURE AND INDEX NO.	PART NUMBER		DESCRIPTION	UNITS PER ASSY	USABLE ON CODE
120C-45	0710646-1	□	COVER PLATE-LH -----	1	
-46	0710647-1	□	COVER PLATE-RH -----	1	
	S102126-6		ATTACHING PARTS		
			SCREW -----	4	
			-----*		
	C166005-0204		MASK & LINE ASSEMBLY-PASSENGER -----	5	
-47	C166005-0205		MASK ASSEMBLY -----	1	
	C166005-0504		LINE & FITTING ASSEMBLY 8,000-14,000 FT -----	1	
-48	ZH727-8		LINE & FITTING ASSEMBLY ZEPA -----	1	
-49	ZH716		HOSE ASSEMBLY ZEPA -----	1	
	C166005-0502		MASK & LINE ASSEMBLY-PILOT -----	1	
-50	C166009-0501		MASK ASSEMBLY -----	1	
	C166005-0505		LINE & FITTING ASSEMBLY 14,000-22,000 FT -----	1	
-51	ZH727-14		LINE & FITTING ASSEMBLY ZEPA -----	1	
-52	ZH716		HOSE ASSEMBLY ZEPA -----	1	
-53	0700147-56		LINE ASSEMBLY-OXYGEN REGULATOR TO TEE -----	1	
-54	C166010-0105		LINE ASSEMBLY-OXYGEN TEE TO GAGE -----	1	
	C166010-0101		GAGE ASSEMBLY-OXYGEN PRESSURE -----	1	
			ATTACHING PARTS		
-55	AN515-6R5		SCREW -----	1	
			-----*		
-56	C166010-0102		GAGE -----	1	
-57	C166010-0103		BEZEL -----	1	
-58	S1529-1		ELBOW -----	1	
-59	0710652-1	□	ESCUTCHEON -----	1	
-60	0710650-1		BRACKET-GAGE -----	1	
-61	0710650-1		BRACKET-AFT -----	1	
-62	S1724-1		TEE -----	1	
-63	S1721-12		LINE ASSEMBLY-OXYGEN TEE TO FILLER VALVE -----	1	
-64	C166008-0101		VALVE ASSEMBLY-OXYGEN FILLER -----	1	
			ATTACHING PARTS		
-65	AN515-8R8		SCREW -----	3	
			-----*		
-66	2-15		O RING PKSC -----	1	
-67	2-11		O RING PKSC -----	1	
-68	S1520-1		CAP & CHAIN ASSEMBLY -----	1	
-69	S102124-6		SCREW -----	1	
-70	1200429-15		VALVE ADAPTOR ASSEMBLY -----	1	
	NAS697A08		NUTPLATE -----	3	
	NAS697A06L		NUTPLATE -----	4	
-71	1200429-13		SPACER -----	1	
-72	1200429-12		COVER-VALVE -----	1	
			ATTACHING PARTS		
	AN515-6R6		SCREW -----	4	
			-----*		
-73	C166007-0102		MOUNTING BRACKET-OXYGEN BOTTLE -----	2	
			ATTACHING PARTS		
-74	AN4-4A		BOLT -----	2	
	NAS679A4		NUT -----	2	
			-----*		
-75	0712014		ANGLE-TANK SUPPORT LH -----	1	
-76	0712014		ANGLE-TANK SUPPORT RH -----	1	
-77	0712014		ANGLE-TANK SUPPORT FWD -----	1	
-78	0712014		ANGLE-TANK SUPPORT AFT -----	1	
-79	0713916-1		SUPPORT -----	1	
			ATTACHING PARTS		
-80	AN3-3A		BOLT -----	2	
	MS21044N3		NUT -----	2	
			-----*		
-81	0712007-4		STIFFENER -----	1	

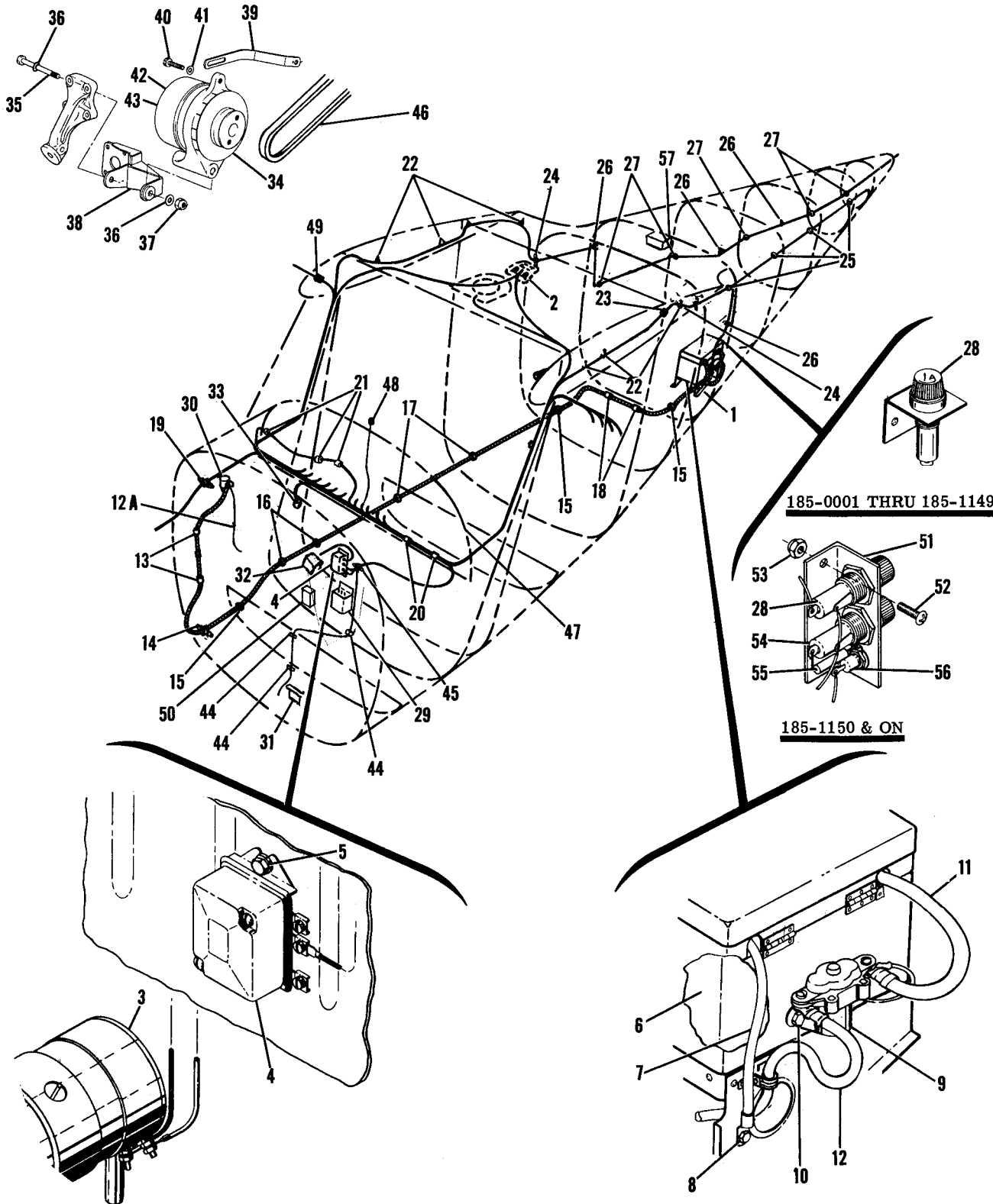
NOTE. □THIS PART NUMBER MUST HAVE A SECOND DASH NUMBER ADDED TO DENOTE COLOR. REFER TO HOW TO ORDER INTERIOR PARTS-PAGE XIII.

A---SERIAL 18052104 & ON
 SERIAL 18501600 & ON
 B---SERIAL 18052104 THRU 18052110
 SERIAL 18501600 THRU 18501621
 C---SERIAL 18052111 & ON
 SFRIAL 18501622 & ON

FIGURE AND INDEX NO.	PART NUMBER	DESCRIPTION	UNITS PER ASSY	USABLE ON CODE
		1 2 3 4 5 6 7		
121 -		ELECTRICAL EQUIPMENT INSTALLATION -----	NP	A
- 1		GROUND SERVICE PLUG INSTALLATION SEE FIGURE 125 & 125A --	1	
- 2		CABIN LIGHTS INSTALLATION SEE FIGURE 123 -----	1	
		50 AMP GENERATOR INSTALLATION -----	1	C
	PDM50	CIRCUIT BREAKER SPT -----	1	
		ATTACHING PARTS -----		
	AN507-632R12	SCREW -----	2	
		*-----		
- 3	0750140-5	GENERATOR-50 AMP -----	1	
- 4	0413205-11	REGULATOR-VOLTAGE 50 AMP -----	1	
		ATTACHING PARTS -----		
- 5	AN4-6A	BOLT -----	3	
		*-----		
	627377	PULLEY-V BELT CM -----	1	
	0750216-1	REGULATOR-VOLTAGE USED WITH ALTERNATOR -----	1	H
		WHEN EXHAUSTED USE C611001-0101 -----		
	C611001-0101	REGULATOR-VOLTAGE USED WITH ALTERNATOR -----	1	J
		ATTACHING PARTS -----		
	AN4-6A	BOLT -----	2	H
	AN520-416R8	SCREW -----	2	J
		*-----		
	C5FF10A568A	PLUG ASSEMBLY FOR -----	1	H
	1250211-4	PLUG ASSEMBLY -----	1	J
- 6	0712605-201 *	BATTERY-AIRCRAFT -----	1	
- 7	0412007-1	STRAP-BATTERY GROUND -----	1	
		ATTACHING PARTS -----		
- 8	AN4-4A	BOLT -----	1	
	AN960-416	WASHER -----	1	
		*-----		
- 9	0712603-2	CONTACTOR ASSEMBLY-MASTER SOLENOID -----	1	G
	S1579-1	CONTACTOR-MASTER SOLENOID -----	1	F
		ATTACHING PARTS -----		
-10	AN3-3A	BOLT -----	2	
	MS21044N3	NUT -----	2	
		*-----		
	0770657-1	DIODE ASSEMBLY -----	1	G
	0770728-1	DIODE ASSEMBLY -----	1	F
	S1807-1	COVER-CONTACTOR TERMINAL -----	2	S
	S1693-2	STA-STRAP -----	2	S
-11	0700092-PA1	CABLE BATTERY TO BATTERY SOLENOID -----	1	G
	0700092-PA6	CABLE-BATTERY TO SOLENOID -----	1	F
-12	0700092-PA4	CABLE BATTERY SOLENOID TO STARTER SOLENOID -----	1	G
	0700092-PA8	CABLE-BATTERY SOLENOID TO STARTER SOLENOID -----	1	F
-12A	0700092-KA2	CABLE-STARTER CONTACTOR TO STARTER -----	2	
	MS25171-3S	NIPPLE -----	2	
		ROTATING BEACON INSTALLATION SEE FIGURE 124 -----	1	L
		FLASHING BEACON INSTALLATION SEE FIGURE 124A -----	1	M
-13	MS21919DG7	CLAMP -----	4	
		ATTACHING PARTS -----		
	NAS446-4-3	NUT -----	1	
	S102128-8	SCREW -----	1	
		*-----		
-14	NAS557-8A	GROMMET -----	1	
	0713003-74	FAIRLEAD -----	1	
	S1095-4	SHIELD-HALF -----	2	
		ATTACHING PARTS -----		
	S102128-8	SCREW -----	1	
	NAS446-4-3	NUT -----	1	
		*-----		
-15	MS35489-19	GROMMET -----	3	
-16	MS35489-48	GROMMET -----	2	
-17	MS35489-17	GROMMET -----	2	
-18	S1496DG7U	CLAMP -----	2	
		ATTACHING PARTS -----		
	S102128-8	SCREW -----	1	
		*-----		
-19	NAS557-6A	GROMMET -----	1	
	S1095-3	SHIELD-HALF -----	2	
		ATTACHING PARTS -----		
	S102128-8	SCREW -----	1	
	NAS446-4-3	NUT -----	1	
-20	S1592-3B	HARNESS BAND UC -----	2	
		ATTACHING PARTS -----		
	S102126-8	SCREW -----	1	
		*-----		

CONTINUED ON NEXT PAGE

Electrical Equipment



SERIAL 185-0001 & ON

Figure 121. Fuselage Electrical Equipment Installation

FIGURE AND INDEX NO.	PART NUMBER	DESCRIPTION	UNITS PER ASSY	USABLE ON CODE
		1 2 3 4 5 6 7		
121 -21	S1486DG5U	CLAMP -----	3	
	S1021Z8-8	ATTACHING PARTS		
		SCREW -----	1	
		-----*		
-22	CM2679-2	STRAP -----	6	
		ATTACHING PARTS		
	S1021Z8-8	SCREW -----	1	
	NAS446-4-3	NUT -----	1	
		-----*		
-23	S1155-4	CLAMP -----	1	
		ATTACHING PARTS		
	S1021Z8-8	SCREW -----	1	
	NAS446-4-3	NUT -----	1	
		-----*		
-24	1270015-1	STRAP ASSEMBLY -----	2	
		ATTACHING PARTS		
	S1021Z6-8	SCREW -----	2	
	NAS446-2-3	NUT -----	2	
		-----*		
-25	MS35489-118	GROMMET -----	4	
-26	A3493-012-1	CLIP TIN -----	3	
-27	MS35489-4	GROMMET -----	5	
-28	S1090-22	FUSE HOLDER-ELECTRIC CLOCK -----	1	
	S1091-1	FUSE-1 AMP -----	1	
-29	0713130-1	VIBRATOR-STARTING -----	1	B
		ATTACHING PARTS		
	AN520-10R8	SCREW -----	2	B
		-----*		
-30	C750027-1	CONTACTOR-STARTER -----	1	L
	S1673-1	CONTACTOR-STARTER -----	1	T
	S1991-1	CONTACTOR-STARTER -----	1	U
		ATTACHING PARTS		
	AN4-4A	BOLT -----	2	
	AN960-416	WASHER -----	2	
		-----*		
	MS25171-3S	NIPPLE-TERMINAL COVER -----	2	R
	S1807-1	COVER-CONTACTOR TERMINAL -----	1	S
	S1807-2	COVER-CONTACTOR TERMINAL -----	1	S
	S1693-2	STA-STRAP -----	2	S
-31	MQR20-2	RESISTOR-FUEL PUMP SEE FIGURE 108 -----	1	
	MS25253-1	SWITCH SEE FIGURES 104 & 105 -----	1	G
	E33-10K	SWITCH & ACTUATOR ASSEMBLY SEE FIGURE 104 & 105 -----	1	F
	S1931-1	ACTUATOR SEE FIGURES 104 & 105 -----	1	G
-32	0770038-2	FILTER -----	1	D
		ATTACHING PARTS		
	AN515-10R6	SCREW -----	2	D
		-----*		
-33	S550B	SUPPRESSOR SATA -----	1	L
		ALTERNATOR INSTALLATION-SHOCK MOUNTED SEE FIGURE 123B -----	1	P
		ALTERNATOR INSTALLATION -----	1	K
-34	0750217-1	ALTERNATOR ASSEMBLY-52 AMP WHEN EXHAUSTED SEE SERVICE -----	1	E
		LETTER 66-1 FOR CONVERTING TO 60 AMP ALTERNATOR		
	C611501-0101	ALTERNATOR ASSEMBLY-60 AMP -----	1	N
		ATTACHING PARTS		
-35	AN7-40A	BOLT -----	1	
-36	AN960-716	WASHER -----	2	
-37	MS20365-720C	NUT -----	1	
-38	0750213-1	SUPPORT ASSEMBLY -----	1	
		-----*		
-39	0750221-1	ARM-ADJUSTING -----	1	
		ATTACHING PARTS		
-40	0750220-1	BOLT -----	1	
-41	S1450-6-14-080	WASHER -----	1	
		-----*		
-42	0770038-2	NOISE FILTER -----	1	E
		ATTACHING PARTS		
	AN515-8R6	SCREW -----	2	
	NAS679A08	NUT -----	2	
		-----*		
-43	1250208-1	STRAP-FILTER MOUNT -----	1	E
		ATTACHING PARTS		
	AN520-10R5	SCREW -----	2	
	1250207-1	SPACER -----	2	
	AN936A10	WASHER -----	2	
		-----*		

CONTINUED ON NEXT PAGE

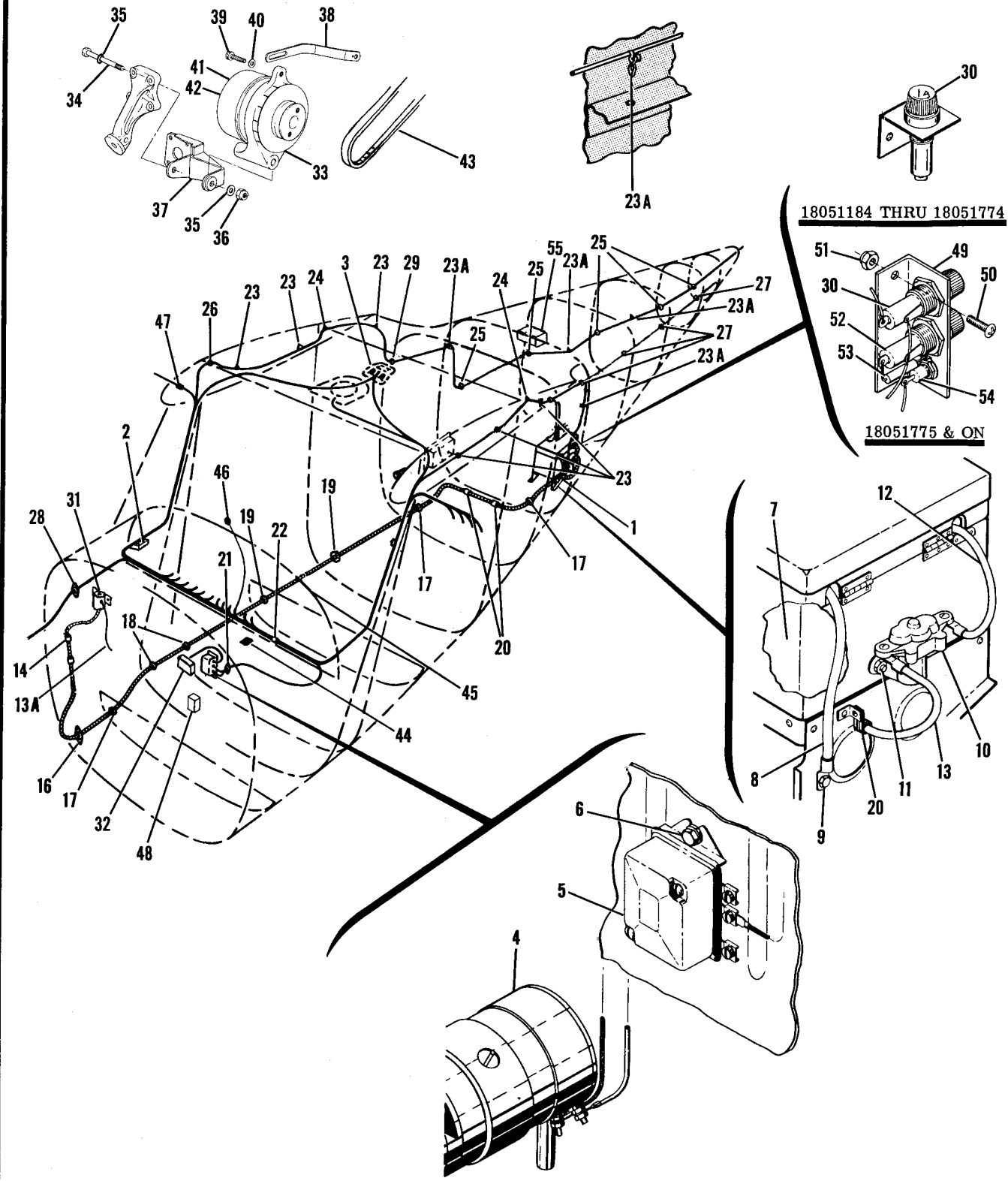
FIGURE AND INDEX NO.	PART NUMBER	DESCRIPTION	UNITS PER ASSY	USABLE ON CODE		
					1	2
121 -44	MS21919DG2	CLAMP -----	3			
	NAS557-12A	GROMMET -----	1			
-45	S1095-6	SHIELD HALF -----	2			
		ATTACHING PARTS				
	S1021Z8-8	SCREW -----	2			
	NAS446-4-3	NUT -----	2			
		-----*				
-46	S1597-1-30.8	BELT-ALTERNATOR DRIVE -----	1	F		
	S1597-1-31.2	BELT-ALTERNATOR DRIVE -----	1	E		
-47		INSTRUMENT PANEL ELECTRICAL COMPONENTS FOR SWITCHES -----	1			
		CIRCUIT BREAKERS-DIODE BOARD-BUS BAR RELAY-ELECTRIC				
		CLOCK-WARNING HORN SEE FIGURES 68, 68A, 68B, 68C&68D				
-48	S1637-2	HOUSING COMPASS DISCONNECT -----	2	M		
	S1367-1	HOUSING COMPASS DISCONNECT -----	2	M		
-49	S1638-1	HOUSING RH ROOT RIB DISCONNECT -----	1	M		
	S1638-2	HOUSING CAP RH ROOT RIB DISCONNECT -----	1	M		
	S1640-9	HOUSING PIN LH ROOT RIB DISCONNECT -----	1	M		
	S1640-9	HOUSING SOCKET LH ROOT RIB DISCONNECT -----	1	M		
-50	S1660-1	CONTACTOR-REVERSE POLARITY EXTERNAL POWER -----	2	Q		
		ATTACHING PARTS				
	AN520-416R8	SCREW -----	2			
	NAS679A4	NUT -----	2			
		-----*				
	0700092PC4	CABLE REVERSE POLARITY CONTACTOR TO STARTER CONTACTOR ---	1	M		
	MS25171-3S	NIPPLE-TERMINAL COVER -----	2	Q		
	S1807-1	COVER-CONTACTOR TERMINAL -----	2	S		
	S1693-2	STA-STRAP -----	2	S		
	MS21919DG7	CLAMP CLAMP 0700092PC4 CABLE -----	2	M		
		ATTACHING PARTS				
	S1021Z8-8	SCREW -----	1			
	NAS446-4-3	NUT -----	1			
		-----*				
-51	0712031-1	MOUNTING BRACKET-FUSE & DIODE-EXT POWER & CLUCK -----	1	M		
		ATTACHING PARTS				
-52	AN515-8R10	SCREW -----	2	M		
-53	NAS679A08	NUT -----	2	M		
		-----*				
-54	S1090-2	FUSE HOLDER-EXTERNAL POWER -----	1	M		
	S1090-5	FUSE-EXTERNAL POWER 5 AMP -----	1	M		
-55	X26263	RESISTOR-.75 OHMS TRTA -----	1	M		
-56	20H3P	DIODE-EXTERNAL POWER SATA -----	1	M		
	6F20-0	DIODE-EXTERNAL POWER ALTERNATE AFE -----	1	M		
	43-1761	INSULATING HARDWARE SPD USED WITH 6F20-D -----	1	M		
	IN1344A	DIODE-EXTERNAL POWER ALTERNATE SPD -----	1	M		
		ATTACHING PARTS				
	S1438-2	WASHER-NYLON -----	1	M		
	LN1032X	NUT-NYLON WECK -----	1	M		
		-----*				
-57	C622004-0101	POWER SUPPLY-STROBE LIGHT -----	1	V		
		ATTACHING PARTS				
	AN3-3A	BOLT -----	4	V		
	AN960-10L	WASHER -----	4	V		
		-----*				
<p>NOTE. *THIS KIT INCLUDES DRY BATTERY AND ELECTROLYTE.</p>						
<p>A---SERIAL 185-0001 & ON B---SERIAL 185-0001 THRU 185-0512 C---SERIAL 185-0001 THRU 185-0776 D---SERIAL 185-0777 & ON E---SERIAL 185-0777 THRU 185-0967 F---SERIAL 185-0968 & ON G---SERIAL 185-0001 THRU 185-0967 H---SERIAL 185-0777 THRU 185-1066 J---SERIAL 185-1067 & ON K---SERIAL 185-0777 THRU 185-1095 L---SERIAL 185-0001 THRU 185-1149 M---SERIAL 185-1150 & ON N---SERIAL 185-0968 THRU 185-1095 P---SERIAL 185-1096 & ON Q---SERIAL 185-1150 THRU 185-1343 R---SERIAL 185-0001 THRU 185-1343 S---SERIAL 185-1344 & ON T---SERIAL 185-1150-185-1533 U---SERIAL 185-1534 & ON V---SERIAL 18501833 THRU 18501886</p>						



FIGURE AND INDEX NO.	PART NUMBER	DESCRIPTION	UNITS PER ASSY	USABLE ON CODE
122 -		ELECTRICAL EQUIPMENT INSTALLATION -----	NP	A
- 1		GROUND SERVICE PLUG INSTALLATION SEE FIGURE 125 & 125A --	1	
- 2	0713511-1	FLASHER ASSEMBLY-NAVIGATION LIGHTS -----	1	B
		ATTACHING PARTS		
	S1021Z6-6	SCREW -----	4	
	NAS446-2-3	NUT -----	4	
		-----*		
	2N441	TRANSISTOR DRC -----	2	
- 3		CABIN LIGHTS INSTALLATION SEE FIGURE 123 -----	1	
		50 AMP GENERATOR INSTALLATION -----	1	B
	PDM50	CIRCUIT BREAKER SPT -----	1	
		ATTACHING PARTS		
	AN507-632R12	SCREW -----	2	
		-----*		
- 4	0750140-5	GENERATOR-50 AMP -----	1	
- 5	0413205-11	REGULATOR-VOLTAGE 50 AMP -----	1	
		ATTACHING PARTS		
- 6	AN4-6A	BOLT -----	3	
		-----*		
	627377	PULLEY-V BELT CM -----	1	
	0750216-1	REGULATOR-VOLTAGE USED WITH ALTERNATOR -----	1	G
		WHEN EXHAUSTED USE C611001-0101		
	C611001-0101	REGULATOR-VOLTAGE USED WITH ALTERNATOR -----	1	H
		ATTACHING PARTS		
	AN4-6A	BOLT -----	2	G
	AN520-416R8	SCREW -----	2	H
		-----*		
	C5FF10A568A	PLUG ASSEMBLY FOR -----	1	G
	1250211-4	PLUG ASSEMBLY -----	1	H
- 7	0712605-201	BATTERY-AIRCRAFT -----	1	
- 8	0412007-1	CABLE-BATTERY GROUND -----	1	
		ATTACHING PARTS		
- 9	AN4-4A	BOLT -----	1	
	AN960-416	WASHER -----	1	
		-----*		
-10	S1579-1	CONTACTOR ASSEMBLY-MASTER SOLENOID -----	1	E
	0712603-2	CONTACTOR ASSEMBLY-MASTER SOLENOID -----	1	D
		ATTACHING PARTS		
-11	AN3-3A	BOLT -----	2	
	MS21044N3	NUT -----	2	
		-----*		
	0770657-1	DIODE ASSEMBLY-MASTER SOLENOID -----	1	D
	0770728-1	DIODE ASSEMBLY-MASTER SOLENOID -----	1	E
	S1807-1	COVER-CONTACTOR TERMINAL -----	2	R
	S1693-2	STA-STRAP -----	2	R
-12	0700092-PA1	CABLE BATTERY TO BATTERY SOLENOID -----	1	D
	0700092-PA6	CABLE BATTERY TO BATTERY SOLENOID -----	1	E
-13	0700092-PA4	CABLE BATTERY SOLENOID TO STARTER SOLENOID -----	1	D
	0700092-PA8	CABLE BATTERY SOLENOID TO STARTER SOLENOID -----	1	E
-13A	0700092-KA2	CABLE STARTER SOLENOID TO STARTER -----	1	
		ROTATING BEACON INSTALLATION SEE FIGURE 124 -----	1	K
		FLASHING BEACON INSTALLATION SEE FIGURE 124A -----	1	L
-14	MS21919DG7	CLAMP -----	2	
		ATTACHING PARTS		
	NAS446-4-3	NUT -----	1	
	S1021Z8-8	SCREW -----	1	
		-----*		
-15		DELETED, NEVER USED -----		
-16	NAS557-8A	GROMMET -----	1	
	0713003-74	FAIRLEAD -----	1	
	S1095-4	SHIELD -----	2	
		ATTACHING PARTS		
	NAS446-4-3	NUT -----	1	
	S1021Z8-8	SCREW -----	1	
		-----*		
-17	MS35489-19	GROMMET -----	3	
-18	MS35489-48	GROMMET -----	2	
-19	MS35489-17	GROMMET -----	2	
-20	S1486DG7U	CLAMP TIN -----	2	
		ATTACHING PARTS		
	S1021Z8-6	SCREW -----	1	
		-----*		

CONTINUED ON NEXT PAGE

Electrical Equipment



SERIAL 18051184 & ON

Figure 122. Fuselage Electrical Equipment Installation

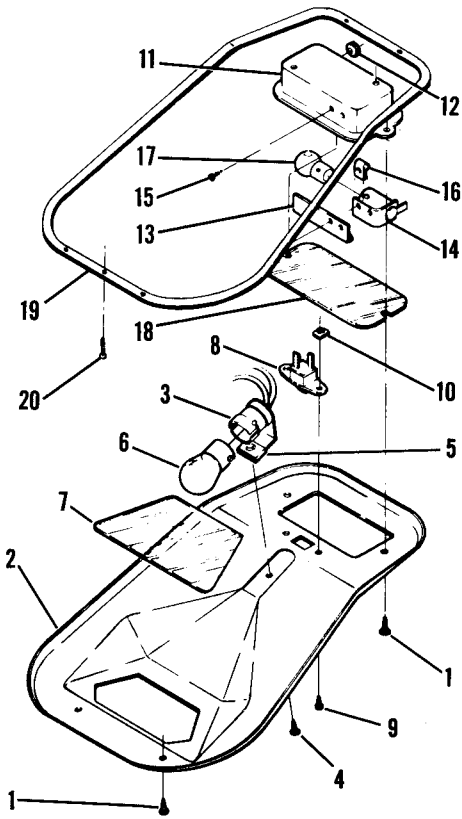
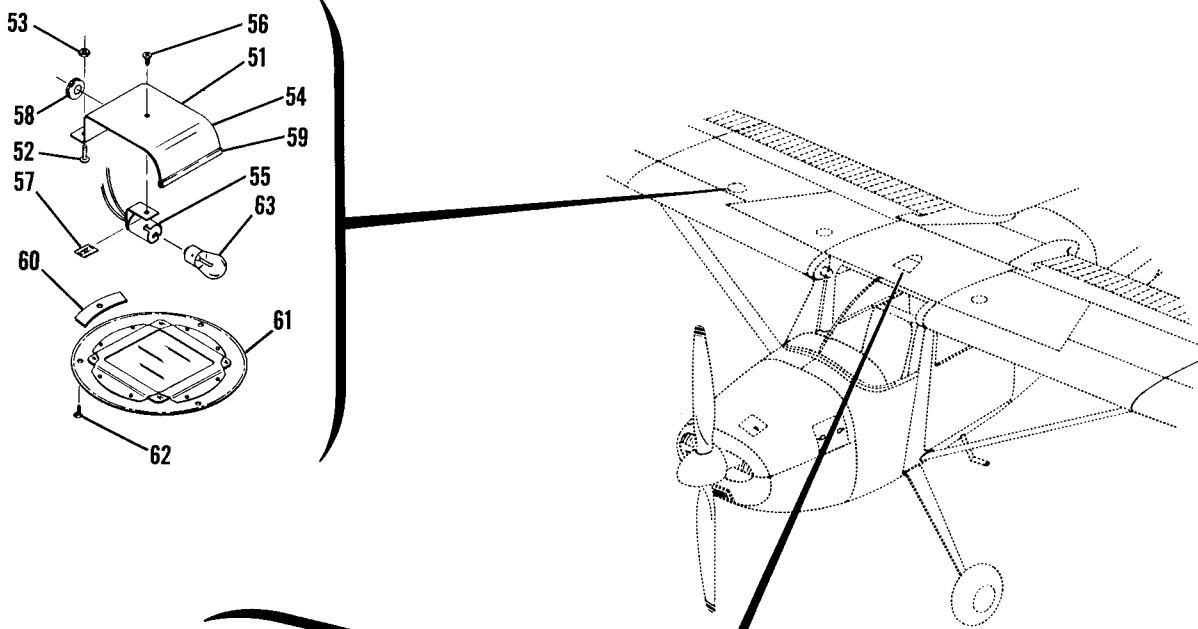
FIGURE AND INDEX NO.	PART NUMBER	DESCRIPTION	UNITS PER ASSY	USABLE ON CODE
		1 2 3 4 5 6 7		
122 -21	NAS557-12A	GROMMET -----	1	
	S1095-6	SHIELD -----	2	
		ATTACHING PARTS		
	S1021Z8-8	SCREW -----	1	
	NAS446-4-3	NUT -----	1	
		*-----		
-22	S1486DG8U	CLAMP -----	1	
		ATTACHING PARTS		
	S1021Z8-8	SCREW -----	1	
		*-----		
-23	CM2679-2	STRAP -----	6	
-23A	A3493-012-1	CLIP TIN -----	3	
-24	S1155-4	CLAMP -----	2	
-25	MS35489-4	GROMMET -----	5	
-26	MS35489-4	GROMMET -----	1	
-27	MS35489-118	GROMMET -----	4	
-28	NAS557-6A	GROMMET -----	1	
	S1095-3	SHIELD HALF -----	2	
		ATTACHING PARTS		
	S1021Z8-6	SCREW -----	2	
	NAS446-4-3	NUT -----	2	
		*-----		
-29	1270015-1	STRAP ASSEMBLY -----	2	
		ATTACHING PARTS		
	S1021Z6-8	SCREW -----	2	
	NAS446-2-3	NUT -----	2	
		*-----		
-30	S1090-22	FUSE HOLDER-ELECTRIC CLOCK -----	1	
	S1091-1	FUSE-1 AMP -----	1	
-31	C750027-1	CONTACTOR-STARTER -----	1	K
	S1673-1	CONTACTOR-STARTER WHEN EXHAUSTED USE S1991-1 -----	1	S
	S1991-1	CONTACTOR-STARTER -----	1	T
		ATTACHING PARTS		
	AN4-4A	BOLT -----	2	
	AN960-416	WASHER -----	2	
		*-----		
	MS25171-3S	NIPPLE-TERMINAL COVER -----	2	Q
	S1807-1	COVER-CONTACTOR TERMINAL -----	1	R
	S1808-2	COVER-CONTACTOR TERMINAL BATTERY CABLE -----	1	R
	S1693-2	STA-STRAP -----	2	R
-32	0770038-2	FILTER -----	1	C
		ATTACHING PARTS		
	AN515-10R6	SCREW -----	2	C
		*-----		
		ALTERNATOR INSTALLATION-SHOCK MOUNTED SEE FIGURE 123B -----	1	N
		ALTERNATOR INSTALLATION -----	1	J
-33	0750217-1	ALTERNATOR ASSEMBLY-52 AMP WHEN EXHAUSTED SEE SERVICE - LETTER 66-1 FOR CONVERTING TO 60 AMP ALTERNATOR -----	1	F
	C611501-0101	ALTERNATOR ASSEMBLY-60 AMP -----	1	M
		ATTACHING PARTS		
-34	AN7-40A	BOLT -----	1	
-35	AN960-716	WASHER -----	2	
-36	MS20365-720C	NUT -----	1	
-37	0750213-1	SUPPORT ASSEMBLY -----	1	
		*-----		
-38	0750221-1	ARM-ADJUSTING -----	1	
		ATTACHING PARTS		
-39	0750220-1	BOLT -----	1	
-40	S1450-6-14-080	WASHER -----	1	
		*-----		
-41	0770038-2	NOISE FILTER -----	1	F
		ATTACHING PARTS		
	AN515-8R6	SCREW -----	2	
	NAS679A08	NUT -----	2	
		*-----		
-42	1250208-1	STRAP-FILTER MOUNT -----	1	F
		ATTACHING PARTS		
	AN520-10R5	SCREW -----	2	
	1250207-1	SPACER -----	2	
		*-----		
-43	S1597-1-30.8	BELT-ALTERNATOR DRIVE -----	1	M
	S1597-1-31.2	BELT-ALTERNATOR DRIVE -----	1	F

CONTINUED ON NEXT PAGE

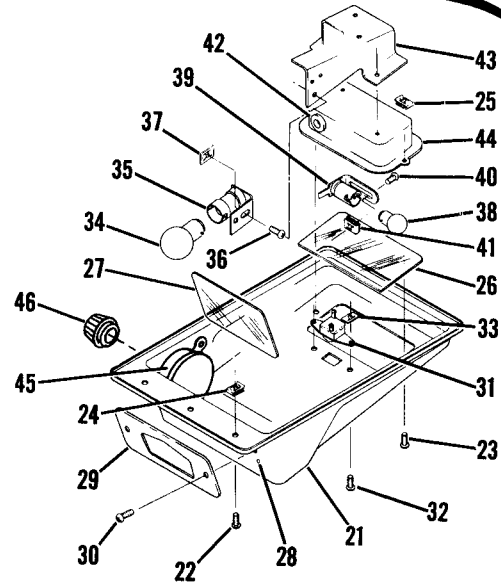
FIGURE AND INDEX NO.	PART NUMBER	DESCRIPTION	UNITS PER ASSY	USABLE ON CODE
122 -44 -45	S550B	SUPPRESSOR SATA ----- INSTRUMENT PANEL ELECTRICAL COMPONENTS FOR SWITCHES ----- CIRCUIT BREAKERS-DIODE BOARD-BUS BAR RELAY-ELECTRIC CLOCK-WARNING HORN SEE FIG 67, 68A, 68B, 68C&68D	1 1	K
-46	S1637-2	HOUSING COMPASS DISCONNECT -----	2	L
-47	S1637-1	HOUSING COMPASS DISCONNECT -----	2	L
	S1638-1	HOUSING RH ROOT RIB DISCONNECT -----	1	L
	S1638-2	HOUSING CAP RH ROOT RIB DISCONNECT -----	1	L
	S1640-9	HOUSING PIN LH ROOT RIB DISCONNECT -----	1	L
	S1641-9	HOUSING SOCKET LH ROOT RIB DISCONNECT -----	1	L
-48	S1660-1	CONTACTOR-REVERSE POLARITY EXTERNAL POWER ----- ATTACHING PARTS	1	L
	AN520-416R8	SCREW -----	2	
	MS20365-428	NUT -----	2	
	0700092PC4	CABLE REVERSE POLARITY CONTACTOR TO STARTER CONTACTOR ---	1	L
	MS25171-3S	NIPPLE-TERMINAL COVER -----	2	P
	S1807-1	COVER-CONTACTOR TERMINAL -----	2	R
	S1693-2	STA-STRAP -----	2	R
	MS21919DG7	CLAMP CLAMP 0700092PC4 CABLE -----	2	L
	S1021Z8-8	ATTACHING PARTS		
	NAS446-4-3	SCREW -----	1	
		NUT -----	1	
-49	0712031	MOUNTING BRACKET-FUSE & DIODE-EXT POWER & CLOCK ----- ATTACHING PARTS	1	L
-50	AN515-8R10	SCREW -----	2	L
-51	NAS679A08	NUT -----	2	L
-52	S1090-2	FUSE HOLDER-EXTERNAL POWER -----	1	L
	S1091-5	FUSE-EXTERNAL POWER 5 AMP -----	1	L
-53	X26263	RESISTOR-.75 OHMS TRTA -----	1	L
-54	20H3P	DIODE-EXTERNAL POWER SATA -----	1	L
	6F20D	DIODE-EXTERNAL POWER ALTERNATE AFE -----	1	L
	43-1761	INSULATING HARDWARE SPD USED WITH 6F20-D -----	1	L
	1N1344A	DIODE-EXTERNAL POWER ALTERNATE SPD -----	1	L
	S1438-2	ATTACHING PARTS		
	LN1032X	WASHER-NYLON -----	1	L
		NUT-NYLON WECK -----	1	L
-55	C622004-0101	POWER SUPPLY-STROBE LIGHT ----- ATTACHING PARTS	1	U
	AN3-3A	BOLT -----	4	U
	AN960-10L	WASHER -----	4	U
<p>NOTE. *THIS KIT INCLUDES DRY BATTERY AND ELECTROLYTE.</p> <p>A---SERIAL 18051184 & ON B---SERIAL 18051184 THRU 18051445 C---SERIAL 18051446 & ON D---SERIAL 18051184 THRU 18051607 E---SERIAL 18051608 & ON F---SERIAL 18051446 THRU 18051607 G---SERIAL 18051446 THRU 18051709 H---SERIAL 18051710 & ON J---SERIAL 18051446 THRU 18051761 K---SERIAL 18051184 THRU 18051774 L---SERIAL 18051775 & ON M---SERIAL 18051608 THRU 18051761 N---SERIAL 18051762 & ON P---SERIAL 18051775 THRU 18051913 Q---SERIAL 1801184 THRU 18051913 R---SERIAL 18051914 & ON S---SERIAL 18051775 THRU 18052073 T---SERIAL 18052074 & ON U---SERIAL 18052176 THRU 18052205</p>				

This page intentionally left blank.

Electrical Equipment (Cont)



185-0001 THRU 185-0512



185-0513 & ON
18051184 & ON

Figure 123. Cabin Lights & Courtesy Light Installation



FIGURE AND INDEX NO.	PART NUMBER	DESCRIPTION	UNITS PER ASSY	USABLE ON CODE
123 -		CABIN LIGHTS & COURTESY LIGHT INSTALLATION -----	NP	
	0710103-3	LIGHT ASSEMBLY-INSTRUMENT PANEL -----	1	A
		ATTACHING PARTS		
- 1	S1021Z4-8	SCREW -----	2	
		-----*		
- 2	0710103-5	PLATE-COVER -----	1	
- 3	0513208-1	SOCKET -----	1	
		ATTACHING PARTS		
- 4	S1021Z6-6	SCREW -----	1	
- 5	NAS446-2-3	NUT TIN A1181-6Z-3 -----	1	
		-----*		
- 6	MS15584-2	BULB -----	1	
- 7	0710103-2	LENS -----	1	
- 8	0713029	SWITCH -----	1	
		ATTACHING PARTS		
- 9	S1021Z6-6	SCREW -----	2	
-10	NAS446-2-3	NUT TIN A1181-6Z-3 -----	2	
		-----*		
	0413142-5	LIGHT ASSEMBLY-DOME -----	1	A
-11	0413140	REFLECTOR -----	1	
-12	MS35489-4	GROMMET -----	1	
-13	0413140-2	RETAINER -----	1	
-14	0413138	SOCKET -----	1	
		ATTACHING PARTS		
-15	S1021Z4-4	SCREW -----	2	
-16	NAS395-1-3	NUT TIN A6187-4Z-3 -----	2	
		-----*		
-17	S1876-1	BULB -----	1	
-18	0413141-1	LENS -----	1	
-19	1200130-1	PLATE-HEADLINER RETAINER -----	1	A
		ATTACHING PARTS		
-20	S1021Z6-6	SCREW -----	1	
		-----*		
-21	0511482-1	COVER ASSEMBLY -----	1	C
	0511482-9	COVER ASSEMBLY -----	1	D
		ATTACHING PARTS		
-22	S1021Z6-6	SCREW -----	2	
-23	S1021Z4-8	SCREW -----	2	
-24	NAS395-3-3	NUT -----	2	
-25	NAS395-1-3	NUT -----	2	
		-----*		
-26	0413141-1	LENS -----	1	
-27	0511482-3	LENS -----	1	
-28	NAS680A06K	NUTPLATE -----	1	
-29	0511482-5	SHIELD -----	1	
		ATTACHING PARTS		
-30	AN515-6R10	SCREW -----	2	
	AN960-6L	WASHER -----	2	
		-----*		
-31	0713029	SWITCH -----	1	B
		ATTACHING PARTS		
-32	S1021Z6-6	SCREW -----	2	
-33	NAS446-2-3	NUT -----	2	
		-----*		
-34	MS15584-2	LAMP -----	1	B
-35	0513208-1	SOCKET -----	1	B
		ATTACHING PARTS		
-36	S1021Z6-6	SCREW -----	1	
-37	NAS446-2-3	NUT -----	1	
		-----*		
-38	S1876-1	LAMP -----	1	B

CONTINUED ON NEXT PAGE

FIGURE AND INDEX NO.	PART NUMBER	DESCRIPTION	UNITS PER ASSY	USABLE ON CODE
123 -39	0413138	SOCKET ----- ATTACHING PARTS -----	1	B
-40	S1021Z4-6	SCREW -----	1	
-41	NAS395-1-3	NUT ----- ---*---	1	
-42	MS35489-4	GROMMET -----	1	B
-43	0511483-2	BRACKET -----	1	B
-44	0413140-5	REFLECTOR -----	1	B
-45	0713247-200 XR6085	RHEOSTAT ASSEMBLY INCLUDES RHEOSTAT, KNOB & 2 WASHERS --- RHEOSTAT TRTA -----	1	E
-46	S1390-5	KNOB ASSEMBLY -----	1	F
-47		DELETED -----		
-48		DELETED -----		
-49		DELETED -----		
-50		DELETED -----		
-51	0700616-1	COURTESY LIGHT INSTALLATION ----- SHIELD ASSEMBLY ----- ATTACHING PARTS -----	NP 1	
-52	AN515-6R8	SCREW -----	2	
-53	NAS679A06	NUT ----- ---*---	2	
-54	0700616-2	SHIELD -----	1	
-55	0513208-1	SOCKET ----- ATTACHING PARTS -----	1	
-56	S1021Z6-8	SCREW -----	1	
-57	NAS446-2-3	NUT ----- ---*---	1	
-58	MS35489-134	GROMMET -----	1	
-59	S1055-1-2.25	CHANNEL -----	1	
-60	0700617-1	SPACER -----	1	
-61	1270432-2	COVER ASSEMBLY ----- ATTACHING PARTS -----	1	
-62	S1021Z8-8	SCREW ----- ---*---	6	
-63	MS15584-2	LAMP ----- MAP LIGHT INSTALLATION SEE FIGURE 123A -----	1 NP	

NOTE. THIS PART NUMBER MUST HAVE A SECOND DASH NUMBER ADDED TO DENOTE COLOR. REFER TO HOW TO ORDER INTERIOR PARTS-PAGE XIII.

- A---SERIAL 185-0001 THRU 185-0512
- B---SERIAL 185-0513 & ON
SERIAL 18051184 & ON
- C---SERIAL 185-0513 THRU 185-0776
SERIAL 18051184 THRU 18051445
- D---SERIAL 185-0777 & ON
SERIAL 18051446 & ON
- E---SERIAL 185-0777 THRU 185-0981
SERIAL 18051446 THRU 18051625
- F---SERIAL 185-0982 & ON
SERIAL 18051626 & ON

This page intentionally left blank.

Electrical Equipment (Cont)

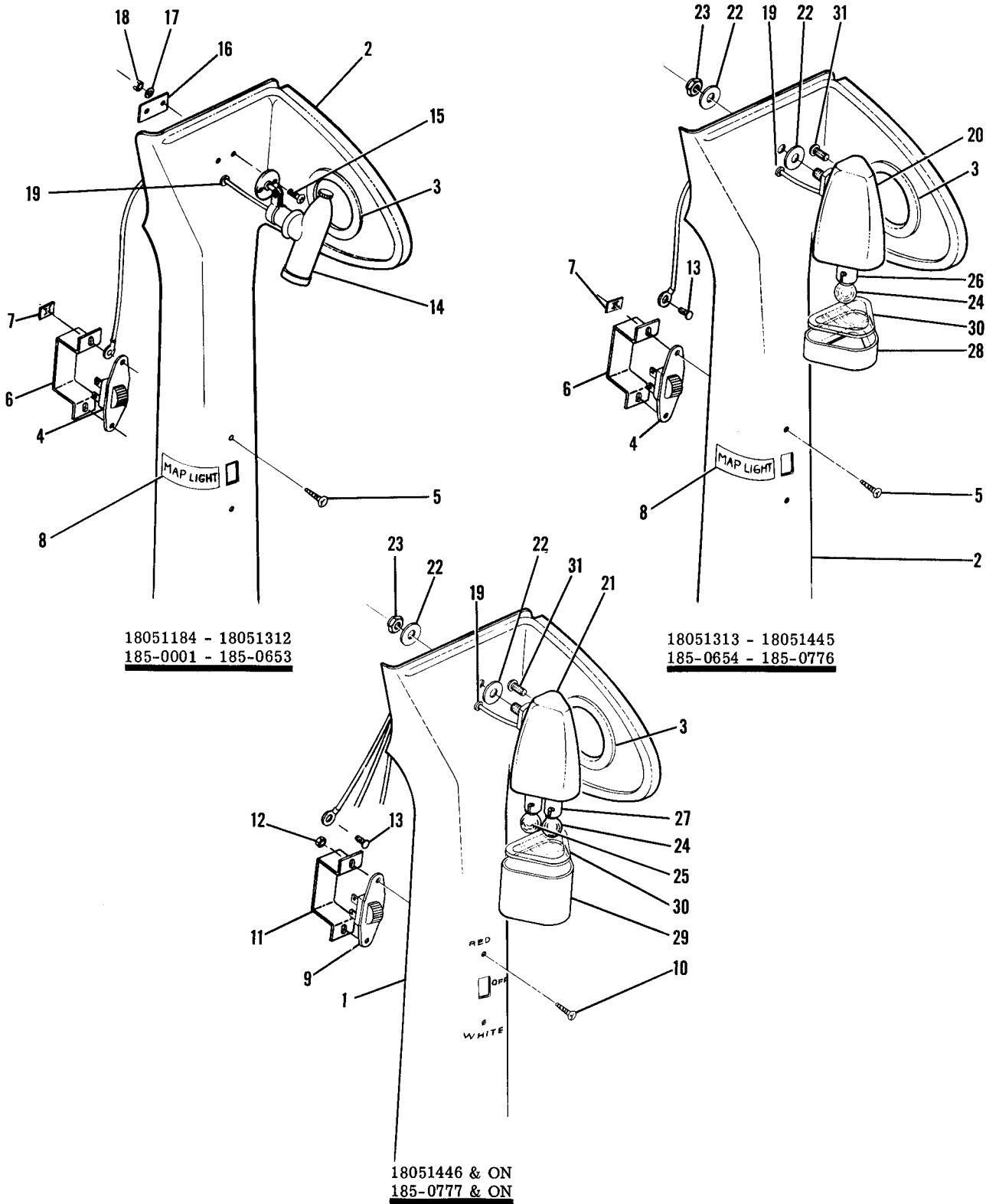
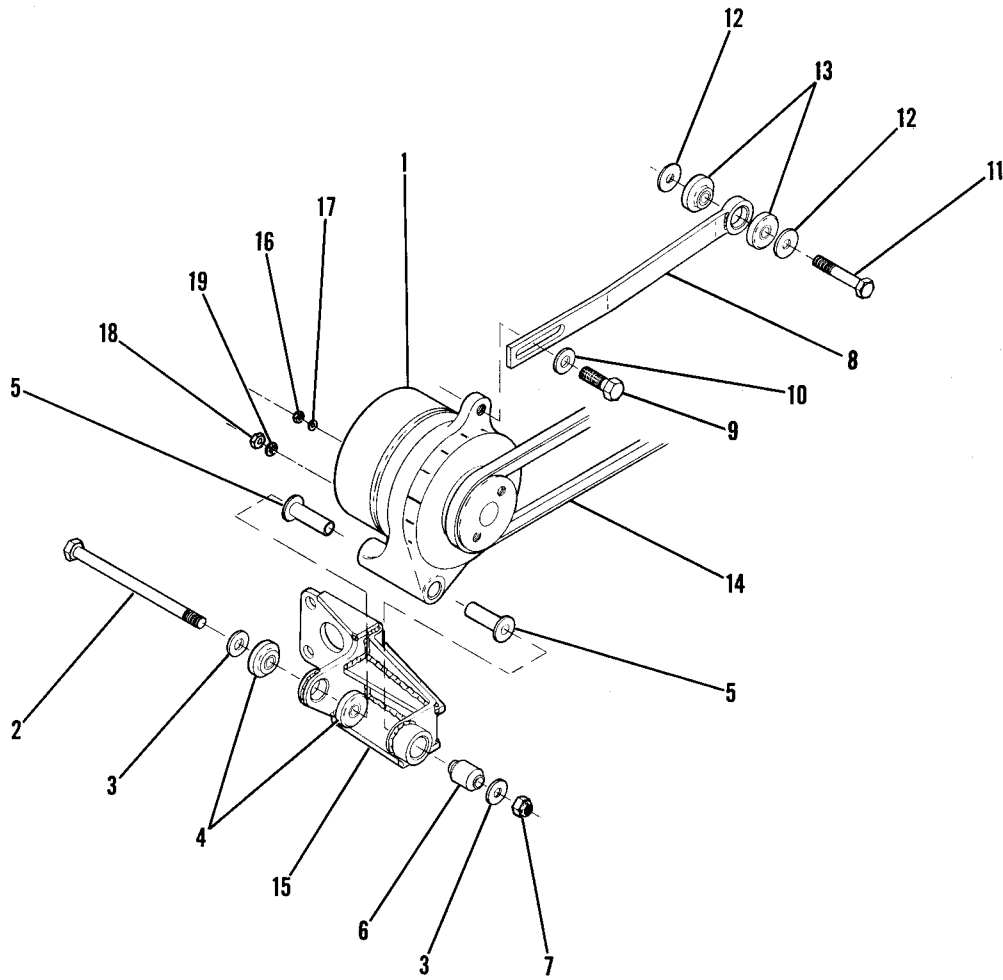


Figure 123A. Map Light Installation

FIGURE AND INDEX NO.	PART NUMBER	DESCRIPTION	UNITS PER ASSY	USABLE ON CODE
		1 2 3 4 5 6 7		
123A--		MAP LIGHT INSTALLATION -----	NP	
	0711133-11	SHIELD ASSEMBLY-FRONT DOORPOST LH -----	1	A
	0711133-21	SHIELD ASSEMBLY-FRONT DOORPOST LH -----	1	B
- 1	0711133-32	SHIELD ASSEMBLY-FRONT DOORPOST LH SWITCH NOT INCLUDED ---	1	H
	0711133-41	SHIELD-FRONT DOORPOST LH SWITCH NOT INCLUDED -----	1	J
	0413484-5	SHIELD ASSEMBLY-FRONT DOORPOST LH SWITCH NOT INCLUDED ---	1	L
	0413484-16	SHIELD ASSEMBLY-FRONT DOORPOST LH SWITCH NOT INCLUDED ---	1	M
- 2	0711133-6	SHIELD-FRONT DOORPOST LH -----	1	A
	0711133-23	SHIELD-FRONT DOORPOST-LH -----	1	B
- 3	0413235	GROMMET -----	1	K
- 4	0713029	SWITCH-MAP LIGHT -----	1	D
		ATTACHING PARTS		
- 5	S102124-6	SCREW -----	2	D
- 6	0711691-1	SWITCH COVER -----	1	D
- 7	NAS446-1-3	NUT -----	2	D
		-----*		
- 8	0713210-4	PLACARD -----	1	D
- 9	S1501-1	SWITCH-MAP LIGHT -----	1	C
		ATTACHING PARTS		
-10	AN515-3R6	SCREW -----	2	C
-11	0711691-1	SWITCH COVER -----	1	C
-12	AN340-3	NUT -----	2	C
		-----*		
-13	S102124-4	SCREW -----	1	G
-14	0713017-22	SPOTLIGHT ASSEMBLY -----	1	E
		ATTACHING PARTS		
-15	AN515-6R8	SCREW -----	2	E
-16	0511311-5	DOUBLER -----	1	E
-17	AN960-6	WASHER -----	2	E
-18	NAS679A06	NUT -----	2	E
		-----*		
-19	MS35489-4	GROMMET -----	1	
-20	1470089-10	MAPLIGHT ASSEMBLY -----	1	F
-21	1470089-14	MAPLIGHT ASSEMBLY -----	1	C
		ATTACHING PARTS		
-22	AN970-3	WASHER -----	2	G
-23	MS21044N3	NUT -----	1	G
		-----*		
-24	S1876-1	BULB -----	1	G
-25	1816TR	BULB GE -----	1	C
-26	1924	SOCKET SHHI -----	1	F
-27	IDI757	SOCKET ASSEMBLY ISES -----	1	C
-28	1470089-6	RETAINER -----	1	F
-29	0700148-1	HOOD -----	1	C
-30	1470089-8	LENS -----	1	G
-31	AN520-6-8	SCREW-ADJUSTMENT -----	1	G
<p>NOTE. □THIS PART NUMBER MUST HAVE A SECOND DASH NUMBER ADDED TO DENOTE COLOR. REFER TO HOW TO ORDER INTERIOR PARTS-PAGE XIII.</p> <p>A---SERIAL 18051184 THRU 18051208 SERIAL 185-0001 THRU 185-0538</p> <p>B---SERIAL 18051209 THRU 18051445 SERIAL 185-0539 THRU 185-0776</p> <p>C---SERIAL 18051446 & ON SERIAL 185-0777 & ON</p> <p>D---SERIAL 18051184 THRU 18051445 SERIAL 185-0001 THRU 185-0776</p> <p>E---SERIAL 18051184 THRU 18051312 SERIAL 185-0001 THRU 185-0653</p> <p>F---SERIAL 18051313 THRU 18051445 SERIAL 185-0654 THRU 185-0776</p> <p>G---SERIAL 18051313 & ON SERIAL 185-0654 & ON</p> <p>H---SERIAL 18051446 THRU 18051607 SERIAL 185-0777 THRU 185-0967</p> <p>J---SERIAL 18051608 THRU 1805123 SERIAL 185-0968 THRU 185-1197 & 185-200</p> <p>K---SERIAL 18051184 THRU 18051607 SERIAL 185-0001 THRU 185-0967</p> <p>L---SERIAL 18051824 THRU 18052284 SERIAL 185-1198, 185-1199, 185-1201 THRU 18502090</p> <p>M---SERIAL 18052285 & ON SERIAL 18502091 & ON</p>				

Electrical Equipment (Cont)

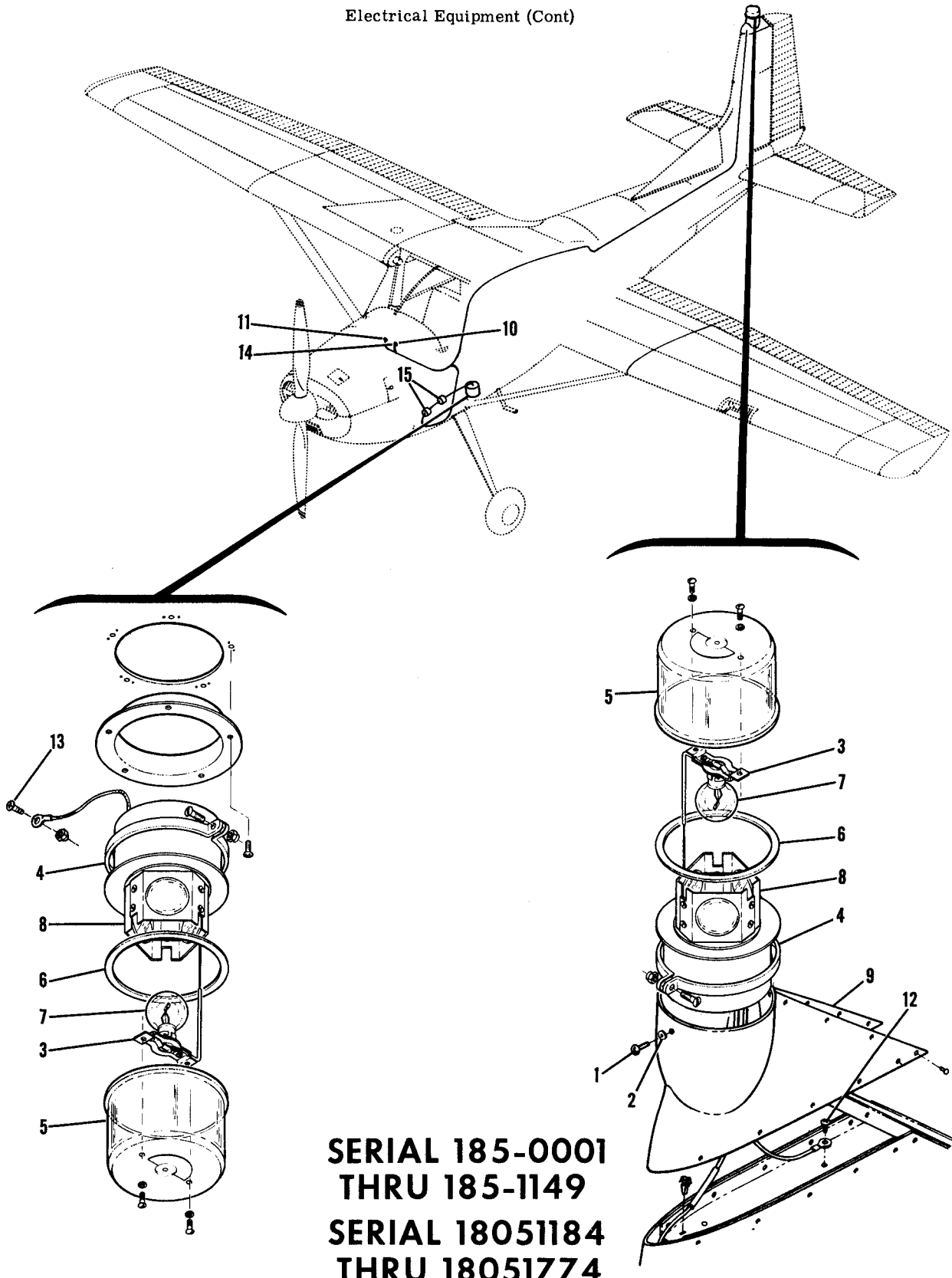


SERIAL 18051762 & ON
SERIAL 185-1096 & ON

Figure 123B. Shock Mounted Alternator

FIGURE AND INDEX NO.	PART NUMBER	DESCRIPTION	UNITS PER ASSY	USABLE ON CODE
1 2 3 4 5 6 7				
1238-		SHOCK MOUNTED ALTERNATOR INSTALLATION -----	NP	A
- 1	C611501-0101	ALTERNATOR ASSEMBLY-60 AMP 14 VOLT WEU C611501-0102 -----	1	B
	C611501-0102	ALTERNATOR ASSEMBLY-60 AMP 14 VOLT -----	1	C
		ATTACHING PARTS -----		
- 2	AN5-52A	BOLT -----	1	
- 3	S1450-5H14-063	WASHER -----	2	
- 4	J9534-20	BUSHING-RUBBER LO -----	2	
- 5	1250214-1	BUSHING -----	2	
- 6	J2005-2	BONDED MOUNT LO -----	1	
- 7	NAS679A5	NUT -----	1	
		-----*		
- 8	1250215-1	ARM-ALTERNATOR ADJUSTING -----	1	
		ATTACHING PARTS -----		
- 9	0750220-1	BOLT -----	1	
-10	S1450-6-14-080	WASHER -----	1	
-11	MS20074-05-13	BOLT -----	1	
-12	S1450-5H14-040	WASHER -----	2	
-13	J9534-20	BUSHING-RUBBER LO -----	2	
		-----*		
-14	S1597-1-30.8	BELT-ALTERNATOR DRIVE -----	1	
-15	1250213-15 *	SUPPORT ASSEMBLY-ALTERNATOR -----	1	
-16	S1505-3	NUT ON FIELD TERMINAL USED ON C611501-0101 -----	1	B
	AN340-10	NUT ON FIELD TERMINAL USED ON C611501-0102 -----	1	C
-17	AN935-10	WASHER -----	1	
-18	AN316C4R	NUT ON BATTERY TERMINAL USED ON C611501-0101 -----	1	B
	AN340-416	NUT ON BATTERY TERMINAL USED ON C611501-0102 -----	1	C
-19	AN936A416	WASHER -----	1	
<p style="text-align: center;">NOTE. *WHEN INITIALLY ORDERING THIS PART FOR MODEL 180 AIRCRAFT PRIOR TO SERIAL 18052225 ALSO ORDER ONE 0750233-1 THROTTLE CONTROL BRACKET.</p> <p style="text-align: center;">A---SERIAL 18051762 & ON SERIAL 185-1096 & ON B---SERIAL 18051762 THRU 18052142 SERIAL 185-1096 THRU 18501710 C---SERIAL 18052143 & ON SERIAL 18501711 & ON</p>				

Electrical Equipment (Cont)



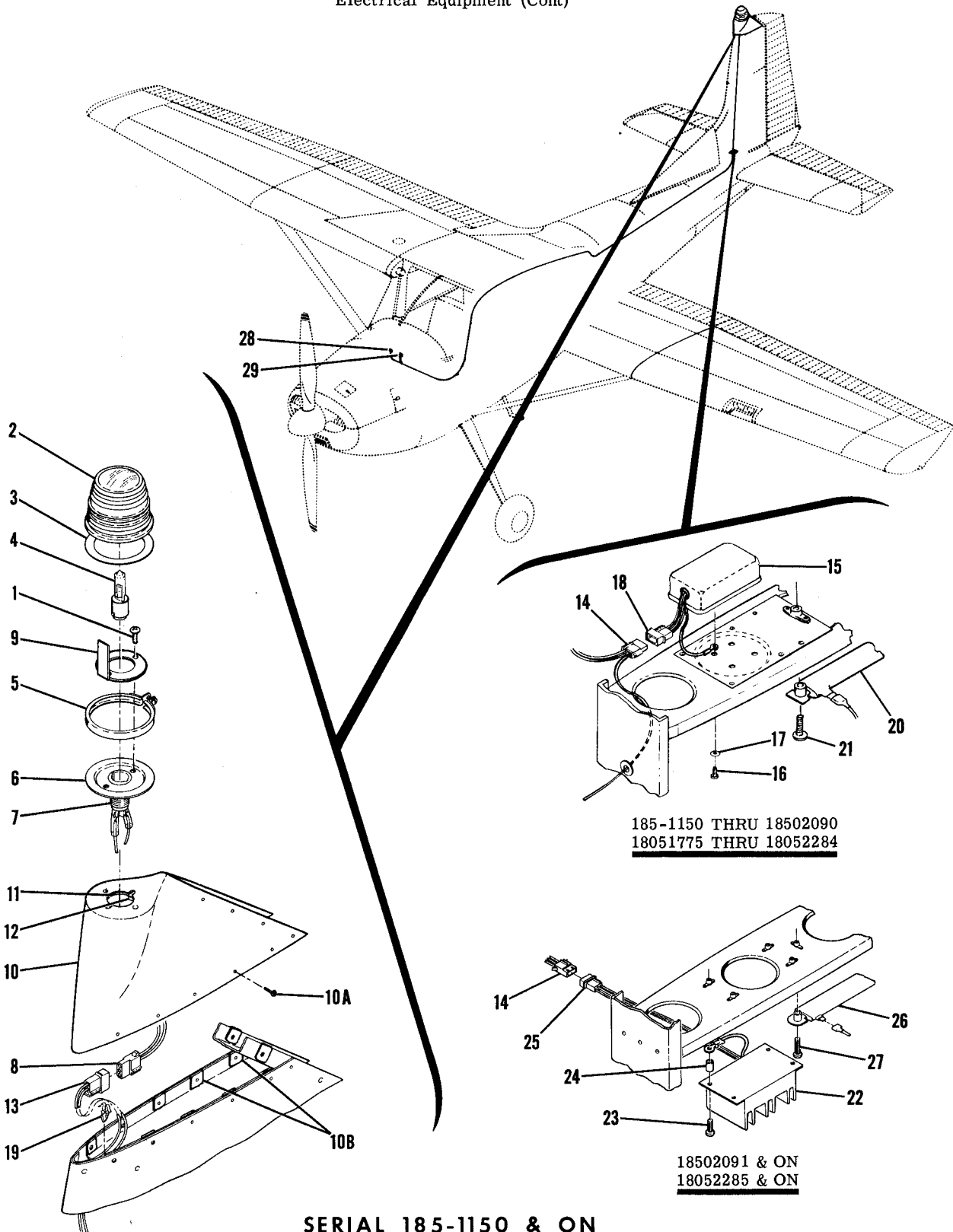
**SERIAL 185-0001
THRU 185-1149
SERIAL 18051184
THRU 18051774**

Figure 124. Rotating Beacon Installation



FIGURE AND INDEX NO.	PART NUMBER	DESCRIPTION	UNITS PER ASSY	USABLE ON CODE
124 -	0700120-1	ROTATING BEACON INSTALLATION ----- BEACON ASSEMBLY-ROTATING ----- ATTACHING PARTS -----	NP 1	C
- 1	AN515-6R6	SCREW -----	6	
- 2	AN960-6L	WASHER ----- *-----	3	
- 3	WRM-15	SOCKET ASSEMBLY WHEL -----	1	
- 4	WRM-25	CLAMP ASSEMBLY WHEL -----	1	
- 5	WRM-10	DOME ASSEMBLY WHEL -----	1	
- 6	WRM-30	GASKET-DOME WHEL -----	1	
- 7	WRM-44-12	BULB WHEL -----	1	
- 8	WRM-20	LENS ASSEMBLY WHEL -----	1	
	WRM-39-12	MOTOR WHEL -----	1	
	S1433-1	PLACARD -----	1	
- 9	0731015-1	TIP-COVER -----	1	A
	0700031-2	TIP-COVER -----	1	B
-10	0713303-2	KNOB -----	1	
-11	PSM10N	CIRCUIT BREAKER MTCC -----	1	
-12	AN515-8R6	SCREW -----	1	
-13	AN515-6R8	SCREW -----	1	D
	NAS679A06	NUT -----	1	
-14	0713026-4	SWITCH -----	1	
-15	S1592-1A	HARNES BAND UC ----- ATTACHING PARTS -----	2	D
	S102126-8	SCREW ----- *-----	1	D
		A---SERIAL 185-0001 THRU 185-1149 B---SERIAL 18051184 THRU 18051774 C---SERIAL 185-0001 THRU 185-1149 SERIAL 18051184 THRU 18051774 D---SERIAL 185-0001 THRU 185-0540		

Electrical Equipment (Cont)



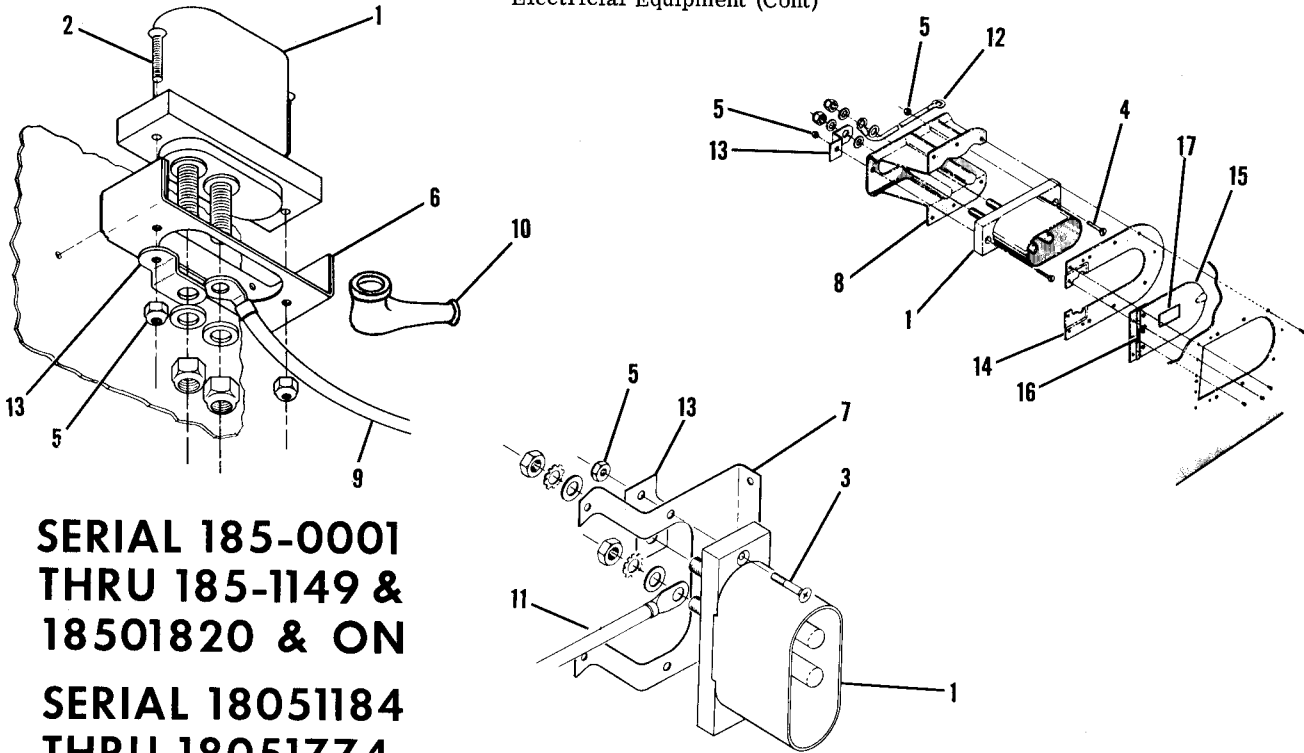
SERIAL 185-1150 & ON
SERIAL 18051775 & ON

Figure 124A. Flashing Beacon Installation



FIGURE AND INDEX NO.	PART NUMBER	DESCRIPTION	UNITS PER ASSY	USABLE ON CODE		
					1	2
124A-		FLASHING BEACON INSTALLATION -----	NP	A		
	C621001-0103	LIGHT ASSEMBLY-FLASHING BEACON -----	1			
		ATTACHING PARTS -----				
- 1	AN515-8R8	SCREW -----	2			
		---*---				
- 2	C17325	DOME AEFS -----	1			
- 3	C17330	GASKET AEFS -----	1			
- 4	C17312-3	LAMP AEFS -----	1			
- 5	C17326	CLAMP ASSEMBLY AEFS -----	1			
- 6	C17331-3	PLATE-MOUNTING AEFS -----	1			
- 7	C17313	SOCKET ASSEMBLY AEFS -----	1			
- 8	S1638-1	HOUSING-PLUG -----	1			
- 9	0731607-1	BAFFLE-FLASHING BEACON -----	1			
-10	0731019-2-791	TIP ASSEMBLY-FIN -----	1	B		
	0731019-1-791	TIP ASSEMBLY-FIN -----	1	C		
		ATTACHING PARTS -----				
-10A	S1021Z8-8	SCREW -----	18			
-10B	NAS395-16-3	NUT -----	16			
		---*---				
-11	0431017-2	PLATE ASSEMBLY-MOUNTING -----	1			
-12	NAS680A08	NUTPLATE -----	2			
-13	S1638-2	HOUSING-CAP -----	1			
-14	S1638-1	HOUSING-PLUG -----	1			
-15	C594501-0201	FLASHER ASSEMBLY-BEACON LIGHT WHEN -----	1	D		
		EXHAUSTED USE C594501-0203 -----				
	C594501-0203	FLASHER ASSEMBLY-BEACON LIGHT -----	1	E		
		ATTACHING PARTS -----				
-16	AN515-8R6	SCREW -----	4	G		
-17	AN936A8	WASHER -----	4	G		
		---*---				
-18	S1638-2	HOUSING-CAP -----	1	D		
	S1638-2	HOUSING-CAP -----	2	E		
-19	A3493-012-1	CLIP TIN -----	1	H		
	MS35489-13	GROMMET -----	1	K		
-20	ZR-075-11.5	RESISTOR -----	1	F		
		ATTACHING PARTS -----				
-21	AN515-8R11	SCREW -----	2	F		
		---*---				
-22	C594502-0101	FLASHER ASSEMBLY-BEACON LIGHT -----	1	J		
		ATTACHING PARTS -----				
-23	AN515-8R10	SCREW -----	4	J		
-24	NAS43HT3-16	SPACER -----	4	J		
		---*---				
-25	S1638-2	HOUSING-CAP -----	1	J		
-26	OR95-1.5	RESISTOR -----	1	J		
		ATTACHING PARTS -----				
-27	AN515-8R12	SCREW -----	2	J		
		---*---				
-28	SEE FIG 68D	CIRCUIT BREAKER -----	1			
-29	SEE FIG 68D	SWITCH -----	1			
		A---SERIAL 185-1150 & ON SERIAL 18051775 & ON B---SERIAL 185-1150 & ON C---SERIAL 18051775 & ON D---SERIAL 185-1150 THRU 185-1586 SERIAL 18051775 THRU 18052099 E---SERIAL 185-1587 THRU 18502090 SERIAL 18052100 THRU 18052284 F---SERIAL 18052174 THRU 18052284 G---SERIAL 185-1150 THRU 18502090 SERIAL 18051775 THRU 18052284 H---SERIAL 18051775 THRU 18052284 J---SERIAL 18502091 & ON SERIAL 18052285 & ON K---SERIAL 18052285 & ON				

Electrical Equipment (Cont)



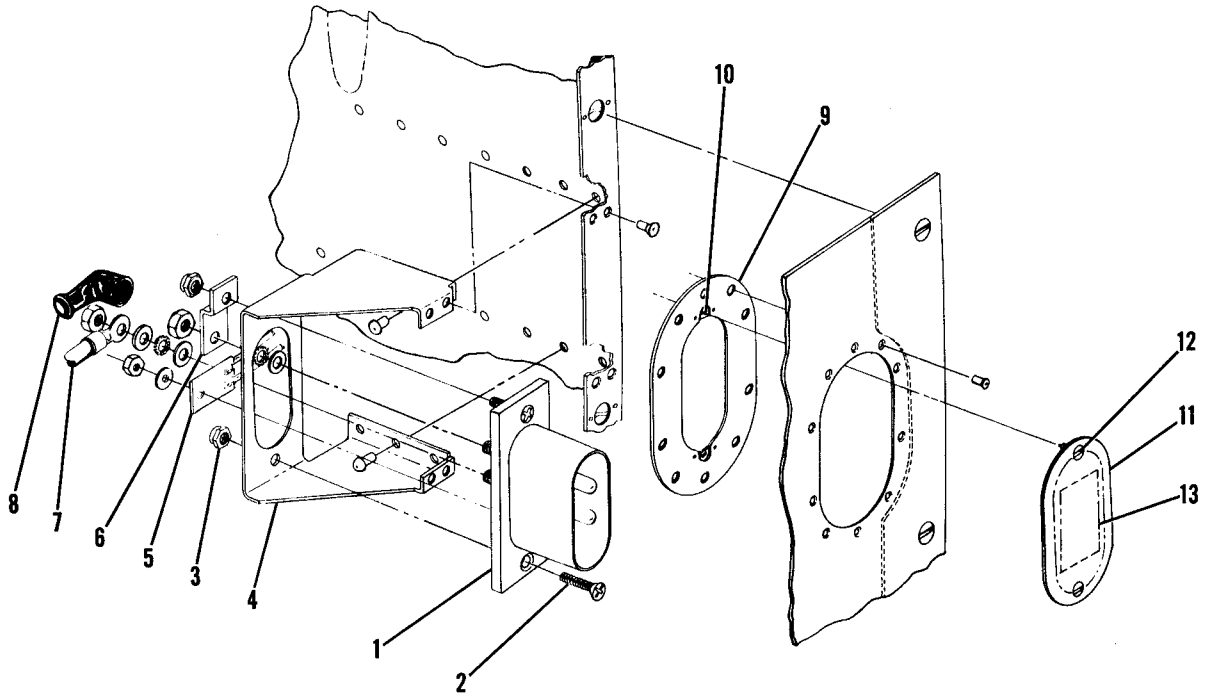
**SERIAL 185-0001
THRU 185-1149 &
18501820 & ON**

**SERIAL 18051184
THRU 18051774
& 18052171 & ON**

Figure 125. Ground Service Plug Installation

FIGURE AND INDEX NO.	PART NUMBER	DESCRIPTION	UNITS PER ASSY	USABLE ON CODE
125 -		1 2 3 4 5 6 7		
- 1	AN2552-3A	GROUND SERVICE PLUG INSTALLATION -----	NP	C
- 2	AN510-1032R14	RECEPTACLE-GROUND SERVICE PLUG -----	1	
- 3	AN509-10R14 *	ATTACHING PARTS -----		
- 4	AN510-10R16	SCREW -----	2	A
- 5	MS21044N3	SCREW -----	2	A
- 6	0713036-2	SCREW -----	2	B
- 7	0713123-1 *	NUT -----	2	
- 8	0312155-3	---*---		
- 9	0700005-90	BRACKET ASSEMBLY -----	1	A
- 10	MS25171-3S	BRACKET -----	1	A
- 11	0700039-PC2 *	BRACKET -----	1	B
- 12	0700085-PC2	CABLE -----	1	A
- 13	0312155-10	CABLE -----	1	A
- 14	0312155-6	CABLE -----	1	A
- 15	0312155-4	STRAP-GROUND -----	1	B
- 16	S147	DOUBLER-DOOR -----	1	B
- 17	0500130-1	DOOR ASSEMBLY-ACCESS -----	1	B
		SPRING-DOOR ASSEMBLY -----	1	B
		PLACARD-12 VOLT DC ONLY -----	1	B
		NOTE. *USED ONLY WHEN WINSLOW OIL FILTER IS INSTALLED.		
		A---SERIAL 185-0001 THRU 185-0079		
		B---SERIAL 185-0080 THRU 185-1149 & FLOATPLANES 18501820 & ON		
		SERIAL 18051184 THRU 18051774 & FLOATPLANES 18052171 & ON		
		C---SERIAL 185-0001 THRU 185-1149 & FLOATPLANES 18501820 & ON		
		SERIAL 18051184 THRU 18051774 & FLOATPLANES 18052171 & ON		

Electrical Equipment (Cont)

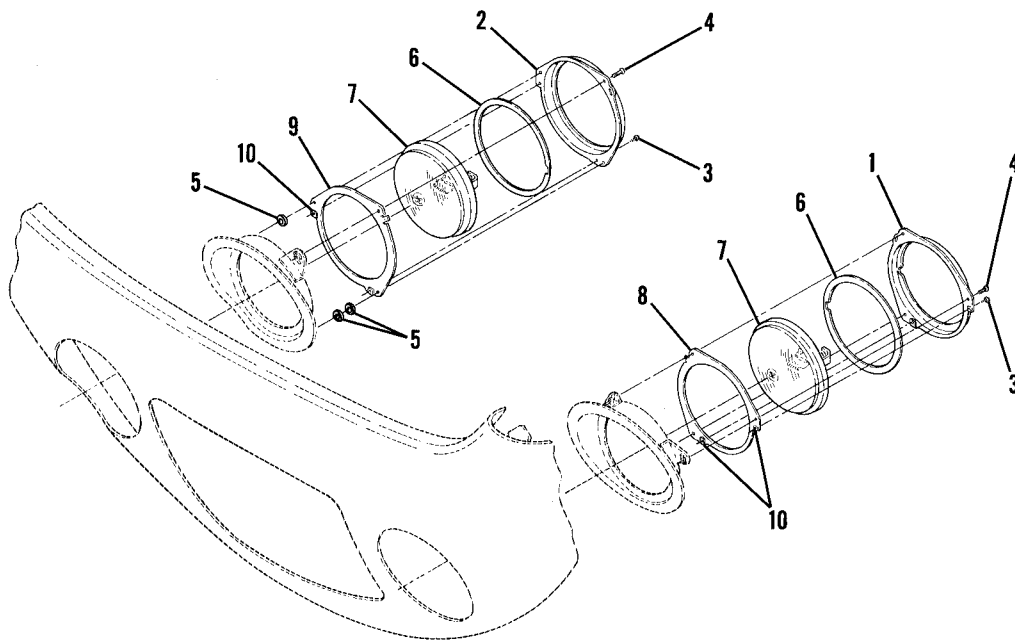


**SERIAL 185-1150 & ON
SERIAL 18051775 & ON**

Figure 125A. Ground Service Plug Installation

FIGURE AND INDEX NO.	PART NUMBER	DESCRIPTION	UNITS PER ASSY	USABLE ON CODE
125A-		1 2 3 4 5 6 7		
- 1	AN2552-3A	* GROUND SERVICE PLUG INSTALLATION	NP	A
- 2	AN509-10R14	RECEPTACLE-GROUND SERVICE PLUG	1	
- 3	MS20365-1032	ATTACHING PARTS	2	
		SCREW	2	
		NUT	2	
		*-----		
- 4	0713711-1	BRACKET-GROUND SERVICE PLUG SUPPORT	1	
- 5	1570043-3	BOARD ASSEMBLY-DIODE	1	
- 6	0312155-10	GROUND STRAP	1	
- 7	0700092-PC3	CABLE EXTERNAL POWER TO REVERSE POLARITY CONTACTOR	1	
- 8	MS25171-3S	NIPPLE	1	
	S292-14	SLEEVE	1	
- 9	0752610-1	DOUBLER ASSEMBLY	1	
-10	S1115-19	RECEPTACLE-STUD	2	
-11	0752611-1	DOOR ASSEMBLY	1	
-12	S1115-10	STUD SLOTTED HEAD	2	
	S1150-30	STUD PHILLIPS HEAD	2	
	S1115-9	RING	2	
-13	1213535-1	PLACARD	1	B
	1205024-1	PLACARD	1	C
		FUSE & DIODE ASSEMBLY-EXTERNAL POWER SEE FIG 121 & 122	1	
<p>NOTE. *THIS INSTALLATION IS NOT USED ON FLOATPLANES SERIAL 18052171 & ON & 18501820 & ON. SEE FIGURE 125 FOR FLOATPLANE INSTALLATION.</p> <p>A---SERIAL 185-1150 & ON SERIAL 18051775 & ON B---SERIAL 185-1150 THRU 185-1447 SERIAL 18051775 THRU 18051993 C---SERIAL 185-1448 & ON SERIAL 18051994 & ON</p>				

Electrical Equipment (Cont)



**SERIAL 18502091 & ON
SERIAL 18052285 & ON**

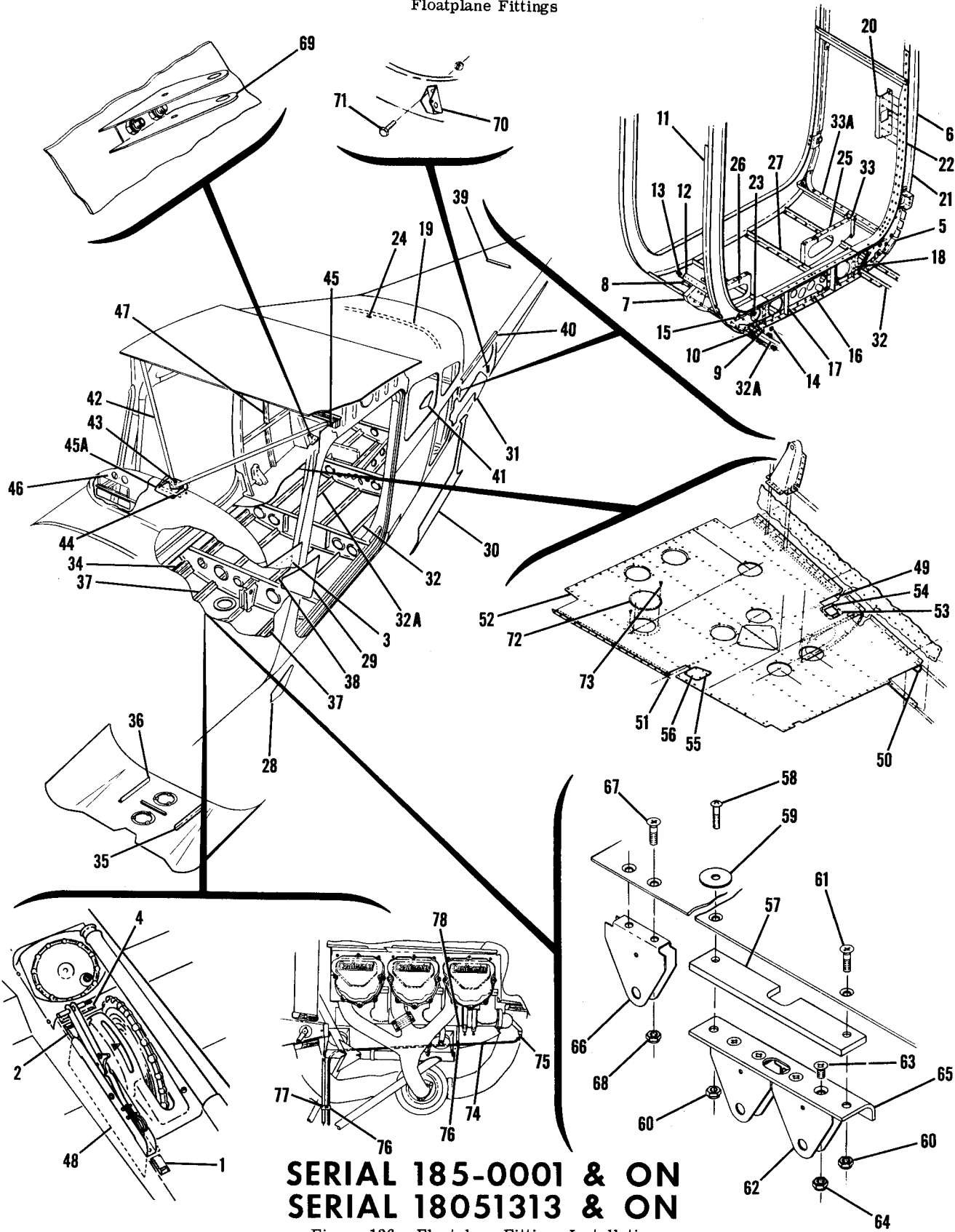
Figure 125B. Landing Light Installation-Cowl

FIGURE AND INDEX NO.	PART NUMBER	DESCRIPTION	UNITS PER ASSY	USABLE ON CODE
125B-		1 2 3 4 5 6 7 LANDING LIGHT INSTALLATION-COWL -----	1	A
- 1	0752644-1	BRACKET-LH -----	1	
- 2	0752644-2	BRACKET-RH -----	1	
		ATTACHING PARTS		
- 3	S102176-8	SCREW -----	2	
- 4	AN515-8R8	SCREW -----	3	
- 5	NAS620-10	WASHER RH ONLY -----	3	
		-----*		
- 6	0752646-1	GASKET -----	AR	
- 7	4509	LIGHT-LANDING 12 VOLT -----	2	
- 8	0752644-5	PLATE ASSEMBLY-LH -----	1	
- 9	0752644	PLATE ASSEMBLY-RH -----	1	
-10	NAS488-1-3	NUT -----	2	
		A---SERIAL 18502091 & ON SERIAL 18052285 & ON		

FIGURE AND INDEX NO.	PART NUMBER	DESCRIPTION	UNITS PER ASSY	USABLE ON CODE
126 -		FLOATPLANE & AMPHIBIAN FITTINGS INSTALLATION ----- EDD 249-2870A, EDD 628-2960 & EDD 597-2790	NP	D
- 1	0713226-2	PLACARD-WATER RUDDER RETRACT -----	1	
- 2	0713226-1	PLACARD-WATER RUDDER EXTEND -----	1	
- 3		PLACARD-OPERATIONAL LIMITATIONS SEE FIG 2, 2A, 2B & 2C --	1	
- 4	0341007-6	PLACARD-WATER RUDDER INSTRUCTIONS -----	1	
- 5	0541128	BLOCK-STRUT ATTACHMENT FORWARD -----	2	
- 6	0711086-1	BULKHEAD ASSEMBLY-STA. 90.00 -----	1	T
	0711086-6	BULKHEAD ASSEMBLY-STA. 90.00 -----	1	U
- 7	0541129	BLOCK-STRUT ATTACHMENT AFT ----- ATTACHING PARTS	2	
- 8	AN4-12A	BOLT -----	5	
- 9	NAS679A4	NUT -----	5	
-10	AN960-416	WASHER -----	5	
-11	0742111-1	REINFORCEMENT-BULKHEAD STA. 90.00 -----	1	
-12	0742120-2	ANGLE-REINFORCEMENT-RH -----	1	
	0742120-1	ANGLE-REINFORCEMENT-LH ----- ATTACHING PARTS	1	
-13	AN3-4A	BOLT -----	1	
-14	MS21044N3	NUT -----	1	
-15	0711089-1	ANGLE-BULKHEAD REINFORCEMENT UPPER FORWARD -----	1	V
	0711089-2	ANGLE ASSY-BULKHEAD REINFORCEMENT UPPER FORWARD -----	1	W
	NAS698A3	NUTPLATE -----	4	W
	C710008-1	ANGLE-BULKHEAD REINFORCEMENT UPPER AFT -----	1	
-16	0711087-1	ANGLE-BULKHEAD REINFORCEMENT LOWER FORWARD -----	1	
	C711087-2	ANGLE-BULKHEAD REINFORCEMENT LOWER AFT -----	1	
-17	0742110-7	ANGLE-FORWARD SIDE -----	2	
-18	0742115-28	ANGLE-AFT SIDE -----	2	
-19	0711112-4	RETAINER -----	1	
-20	0711088-1	REINFORCEMENT-LH -----	1	T
	0711088-3	REINFORCEMENT-LH -----	1	U
	0711088-2	REINFORCEMENT-RH -----	1	T
	0711088-4	REINFORCEMENT-RH -----	1	U
-21	0711112-8	BULKHEAD -----	1	
-22	0711086-2	SPLICE PLATE -----	2	T
	0711086-5	SPLICE PLATE -----	2	U
-23	NAS697A4	NUTPLATE -----	1	
-24	NAS697A3	NUTPLATE -----	1	
-25	0742115-5	BULKHEAD-LH -----	1	
-26	0742115-6	BULKHEAD-RH -----	1	
-27	0710025-1	ANGLE -----	2	
-28	0710010-3	DOUBLER-FORWARD LOWER LH -----	1	
	0710010-4	DOUBLER-FORWARD LOWER RH -----	1	
-29	0710010-5	DOUBLER-FORWARD UPPER LH -----	1	
	0710010-6	DOUBLER-FORWARD UPPER RH -----	1	
-30	0710010-7	DOUBLER-LOWER AFT LH -----	1	
	0710010-8	DOUBLER-LOWER AFT RH -----	1	
-31	0710010-9	DOUBLER-UPPER AFT LH -----	1	
	0710010-10	DOUBLER-UPPER AFT RH -----	1	
-32	0742115-21	ANGLE-STIFFENER LH -----	1	
-32A	0742115-22	ANGLE-STIFFENER RH -----	1	
-33	0742115-7	CLIP-BAGGAGE DOOR JAMB -----	1	
-33A	0711101-20	JAMB-BAGGAGE DOOR LWR WEU 0711101-4 -----	1	R
	0711101-44	JAMB-BAGGAGE DOOR LWR -----	1	S
-34	0710010-17	ANGLE -----	2	
	0710010-18	ANGLE -----	2	
-35	0713170-1	ANGLE-LH -----	1	
-36	0713170-2	ANGLE-RH -----	1	
-37	0710010-11	ANGLE -----	2	
-38	0710010-19	ANGLE -----	1	
	0742123-2	BRACKET -----	1	
-39	0710010-16	ANGLE -----	1	
-40	0712014-1	ANGLE-SIDE LH -----	1	
	0712014-2	ANGLE-SIDE RH -----	1	
-41	0711095-1	DOUBLER-STA. 90.00 -----	2	

CONTINUED ON NEXT PAGE

Floatplane Fittings



SERIAL 185-0001 & ON
SERIAL 18051313 & ON

Figure 126. Floatplane Fittings Installation



FIGURE AND INDEX NO.	PART NUMBER	DESCRIPTION	UNITS PER ASSY	USABLE ON CODE
126 -42	0513003-19	BRACE ASSEMBLY -----	1	K
	0713238-2	BRACE ASSEMBLY -----	1	M
	0713878-2	BRACE ASSEMBLY -----	1	T
	0713878-5	BRACE ASSEMBLY -----	1	U
-43	AN4-13A	ATTACHING PARTS		
	NAS1304-14	BOLT -----	1	K
	NAS1304-3	BOLT -----	1	J
	NAS679A4	BOLT -----	2	N
	NAS680A4	NUT -----	1	K
	NAS696A4	NUTPLATE -----	1	J
	0713156-1	NUTPLATE -----	2	N
	0713239-3	DOUBLER -----	1	K
	0713239-6	DOUBLER ASSEMBLY WHEN EXHAUSTED USE 0713239-6 -----	1	M
	0713239-6	DOUBLER ASSEMBLY -----	1	N
-45	AN3-20A	BOLT -----	4	
	MS21044N3	NUT -----	4	
-45A	0713878-9	COVER -----	1	U
	S102124-6	ATTACHING PARTS		
-46	0713125-6	SCREW -----	3	U
	0713125-9	STATIONARY PANEL ASSEMBLY HEAVY DUTY -----	1	A
	0713185-3	STATIONARY PANEL ASSEMBLY HEAVY DUTY -----	1	B
-47	0711096-2	STATIONARY PANEL ASSEMBLY HEAVY DUTY -----	1	E
	0711096-1	STATIONARY PANEL ASSEMBLY HEAVY DUTY -----	1	J
	0713175-1	REINFORCEMENT -----	1	
	0713174-1	REINFORCEMENT -----	1	
-48	0710010-15	ANGLE-OUTER -----	1	
	0710010-23	ANGLE-INNER -----	1	
-49	0742115-31	FLOORBOARD ASSEMBLY-FLOATPLANE -----	1	T
	0742115-12	FLOORBOARD ASSEMBLY-FLOATPLANE -----	1	U
-50	0742115-11	ANGLE-FLOORBOARD RH FORWARD -----	1	
	0512107-39	ANGLE-FLOORBOARD RH REAR -----	1	
-51	0512107-43	ANGLE-FLOORBOARD LH FORWARD -----	1	
	0713173-2	FLOORBOARD ASSEMBLY -----	1	T
-52	0713173-1	FLOORBOARD ASSEMBLY -----	1	U
	NAS444-5-3	DOUBLER RH -----	1	
-53	0713173-5	DOUBLER LH -----	1	
	0713173-6	NUTPLATE -----	6	
-54	0713173-5	ACCESS PLATE LH -----	1	
	0713173-6	ACCESS PLATE RH -----	1	
-55	S102128-8	ATTACHING PARTS		
	0742124-3	SCREW -----	6	
-56	0742124-2	SPACER -----	1	
	AN520-10R12	PULLEY BRACKET ASSEMBLY -----	1	V
-57	AN970-3	ATTACHING PARTS		
	MS21044N3	SCREW -----	1	V
-58	AN507-1032R12	WASHER -----	1	V
	0711059-1	NUT -----	2	V
-59	0711059-1	SCREW -----	1	V
	AN507-1032R8	BRACKET-PULLEY -----	2	V
-60	MS21044N3	ATTACHING PARTS		
	0711059-1	SCREW -----	1	V
-61	MS21044N3	NUT -----	2	V
	0711059-1	BRACKET-PULLEY -----	2	V
-62	AN520-10R6	ATTACHING PARTS		
	MS21044N3	SCREW -----	2	V
-63	MS21044N3	NUT -----	2	V
	0512160-2	BRACKET-PULLEY -----	2	V
-64	AN520-10R6	ATTACHING PARTS		
	MS21044N3	SCREW -----	2	V
-65	MS21044N3	NUT -----	2	V
	AN520-10R6	BRACKET-PULLEY -----	2	V
-66	MS21044N3	ATTACHING PARTS		
	AN520-10R6	SCREW -----	2	V
-67	MS21044N3	NUT -----	2	V
	AN520-10R6	BRACKET-PULLEY -----	2	V
-68	MS21044N3	ATTACHING PARTS		
	AN520-10R6	SCREW -----	2	V
-69	MS21044N3	NUT -----	2	V
	0512160-2	BRACKET-PULLEY -----	2	V
-70	AN520-10R6	ATTACHING PARTS		
	MS21044N3	SCREW -----	2	V
-71	MS21044N3	NUT -----	2	V
		-----*-----		

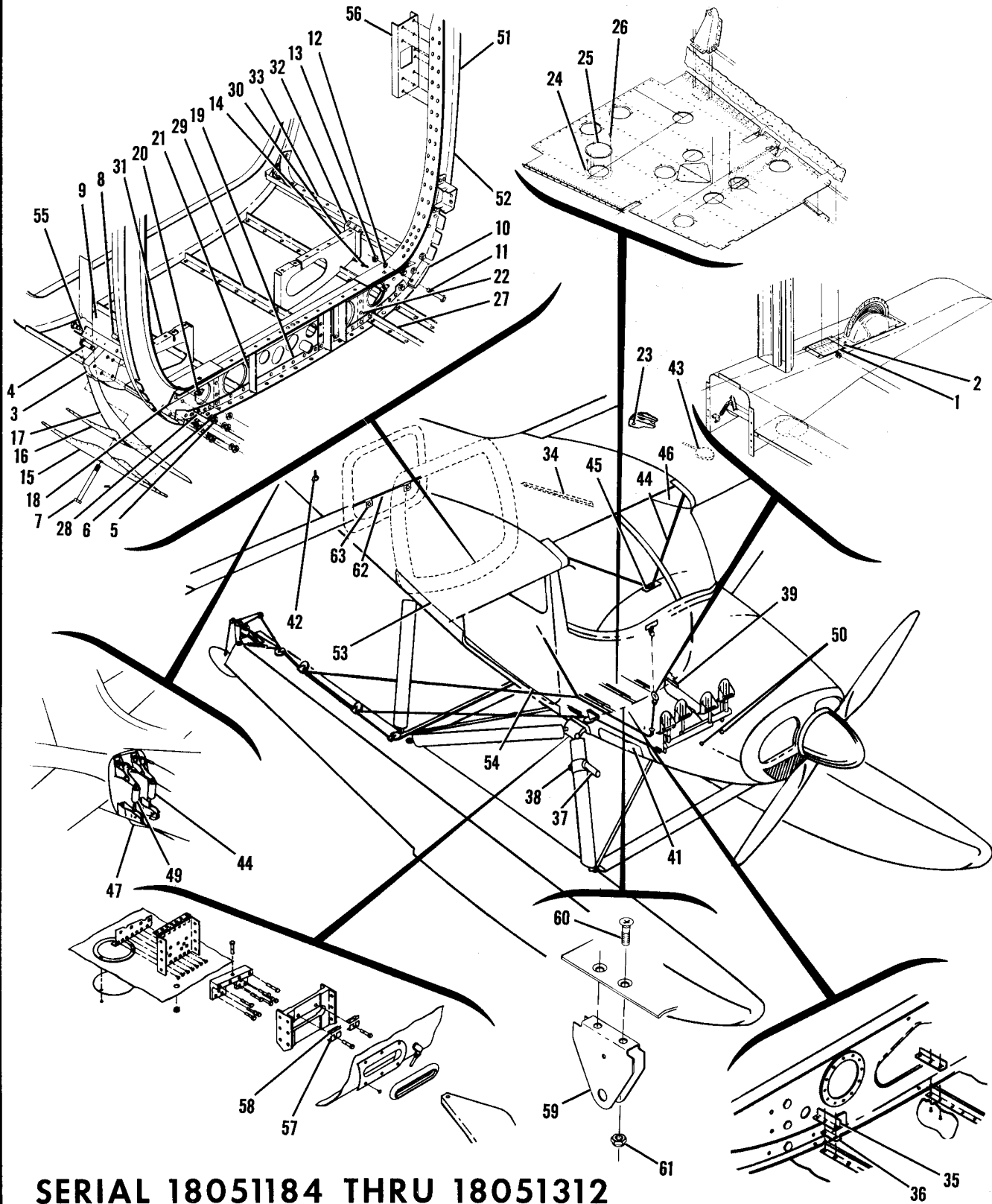
CONTINUED ON NEXT PAGE

FIGURE AND INDEX NO.	PART NUMBER	DESCRIPTION	UNITS PER ASSY	USABLE ON CODE
126 -72	S225-1	COVER-INSPECTION OPENING ----- ATTACHING PARTS -----	5	
-73	49330	TRIMOUNT STUD UC ----- -----*	3	
	0751003-31	ENGINE MOUNT ASSEMBLY-FLOATPLANE SEE FIGURE 76 -----	1	F
	0751001-27	ENGINE MOUNT ASSEMBLY-FLOATPLANE SEE FIGURE 77 -----	1	G
-74	0500106-360	DRAIN TUBE ----- ATTACHING PARTS -----	1	C
-75	MS20823-4D	ELBOW -----	1	
-76	S1485D4L	CLAMP -----	2	
	S1021Z8-8C	SCREW -----	2	
-77	AN742D4	CLAMP -----	1	
-78	0750205-1	STRAP ----- -----*	1	
	MS20392-1C55	PIN-HINGE LH DOOR HINGE ONLY -----	2	H
	MS24665-132	PIN-COTTER LH DOOR HINGE ONLY -----	2	H
	S1470N2	INDICATOR-AIRSPEED AMPHIBIAN & 628-2960 FLOATS ONLY -----	1	G
		FILTER ASSEMBLY-AIR BOX SEE FIGURE 73 -----	1	D
		BUNGEE ASSEMBLY SEE FIGURE 98 -----	1	F
	S1239-13	CONTROL-STRAINER DRAIN -----	1	K
	S1239-24	CONTROL-STRAINER DRAIN -----	1	P
	S1517-4	CONTROL-STRAINER DRAIN -----	1	Q
	SEE FIG 70B	AUXILIARY REFUELING EQUIPMENT INSTALLATION -----	1	L
		A---SERIAL 185-0001 THRU 185-0237		
		B---SERIAL 185-0238 THRU 185-0653		
		C---SERIAL 185-0256 & ON		
		D---SERIAL 185-0001 & ON SERIAL 18051313 & ON		
		E---SERIAL 185-0654 THRU 185-0776 SERIAL 18051313 THRU 18051445		
		F---SERIAL 185-0001 & ON		
		G---SERIAL 18051313 & ON		
		H---SERIAL 185-0762 & ON SERIAL 18051408 & ON		
		J---SERIAL 185-0777 & ON SERIAL 18051446 & ON		
		K---SERIAL 185-0001 THRU 185-0776 SERIAL 18051313 THRU 18051445		
		L---SERIAL 185-0968 & ON SERIAL 18051640 & ON		
		M---SERIAL 185-0777 THRU 185-1199 SERIAL 18051446 THRU 18051826		
		N---SERIAL 185-1200 & ON SERIAL 18051827 & ON		
		P---SERIAL 185-0777 THRU 185-1300 SERIAL 18051446 THRU 18051875		
		Q---SERIAL 185-1301 & ON SERIAL 18051876 & ON		
		R---SERIAL 185-0001 THRU 18501667 SERIAL 18051313 THRU 18052134		
		S---SERIAL 18501668 & ON SERIAL 18052135 & ON		
		T---SERIAL 185-1200 THRU 18501832 SERIAL 18051827 THRU 18052175		
		U---SERIAL 18501833 & ON SERIAL 18052176 & ON		
		V---SERIAL 185-0001 THRU 18502090 SERIAL 18051313 THRU 18052284		
		W---SERIAL 18502091 & ON SERIAL 18052285 & ON		

FIGURE AND INDEX NO.	PART NUMBER	DESCRIPTION	UNITS PER ASSY	USABLE ON CODE
		1 2 3 4 5 6 7		
127 -		FLOATPLANE FITTINGS INSTALLATION EDO249-2870 -----	NP	A
- 1	0341007-5	PLACARD-WATER RUDDER -----	1	
		ATTACHING PARTS -----		
- 2	S1021Z4-5	SCREW -----	2	
		-----*		
- 3	0541129	BLOCK-STRUT ATTACHMENT AFT -----	2	
		ATTACHING PARTS -----		
- 4	AN4-12A	BOLT -----	5	
- 5	NAS679A4	NUT -----	5	
- 6	AN960-416	WASHER -----	5	
- 7	AN5-32A	BOLT -----	2	
- 8	22NA17A-054	NUT EN -----	2	
- 9	S1021Z8-4	SCREW -----	2	
		-----*		
-10	0541128	BLOCK-STRUT ATTACHMENT FORWARD -----	2	
		ATTACHING PARTS -----		
-11	AN5-15A	BOLT -----	2	
-12	AN960-516	WASHER -----	2	
-13	22NA17A-054	NUT EN -----	2	
-14	S1021Z8-4	SCREW -----	2	
		-----*		
-15	0341118	DOUBLER RH -----	1	
	0341118-1	DOUBLER LH -----	1	
-16	0541126	SPACER-FUSELAGE SKIN LAP RH -----	1	
	0541126-1	SPACER-FUSELAGE SKIN LAP LH -----	1	
-17	0742115-51	PLATE-OUTER SPLICE RH -----	1	
	0742115-50	PLATE-OUTER SPLICE LH -----	1	
-18	0742115-16	ANGLE-REINFORCEMENT UPPER -----	1	
	0742115-19	ANGLE-REINFORCEMENT LOWER AFT -----	1	
	0742115-20	ANGLE-REINFORCEMENT LOWER FORWARD -----	1	
-19	NAS680A4	NUTPLATE -----	3	
-20	0742110-7	ANGLE-FORWARD SIDE -----	2	
-21	0742115-28	ANGLE-AFT SIDE -----	2	
-22	S349	GROMMET-DRAIN -----	10	
-23	S237-1	DOUBLER-INSPECTION OPENING -----	5	
-24	S225-1	COVER-INSPECTION OPENING -----	5	
		ATTACHING PARTS -----		
-26	49330	TRIMOUNT STUD UC -----	3	
		-----*		
-27	0742115-21	ANGLE-STIFFENER -----	1	
-28	0742115-22	ANGLE-STIFFENER -----	1	
-29	0710025-1	ANGLE-STIFFENER -----	2	
-30	0742115-5	BULKHEAD-REINFORCEMENT LH -----	1	
-31	0742115-6	BULKHEAD-REINFORCEMENT RH -----	1	
-32	0742115-7	CLIP-BAGGAGE DOOR JAMB -----	1	
-33	0711101-20	JAMB-BAGGAGE DOOR LOWER -----	1	
-34	0742115-4	ANGLE -----	1	
-35	0742110-19	SPLICE-ANGLE -----	5	
-36	0742110-20	SHIM-SPLICE ANGLE -----	4	
-37	0541137-11	STEP ASSEMBLY -----	2	
		ATTACHING PARTS -----		
-38	AN3-7A	BOLT -----	2	
	AN960-10	WASHER -----	2	
	MS21044N3	NUT -----	2	
		-----*		
-39	AN837-4D	ELBOW-45 DEGREE -----	1	
	AN9600716L	WASHER -----	1	
	AN924-4D	NUT -----	1	
-40		DELETED, NOT PROCURABLE -----		
-41	0742116-2	REINFORCEMENT LH ONLY -----	1	
	0742116-3	REINFORCEMENT RH -----	1	
-42	0422344	EYEBOLT -----	1	
		ATTACHING PARTS -----		
	NAS679A5	NUT -----	1	
		-----*		

CONTINUED ON NEXT PAGE

Floatplane (Cont)

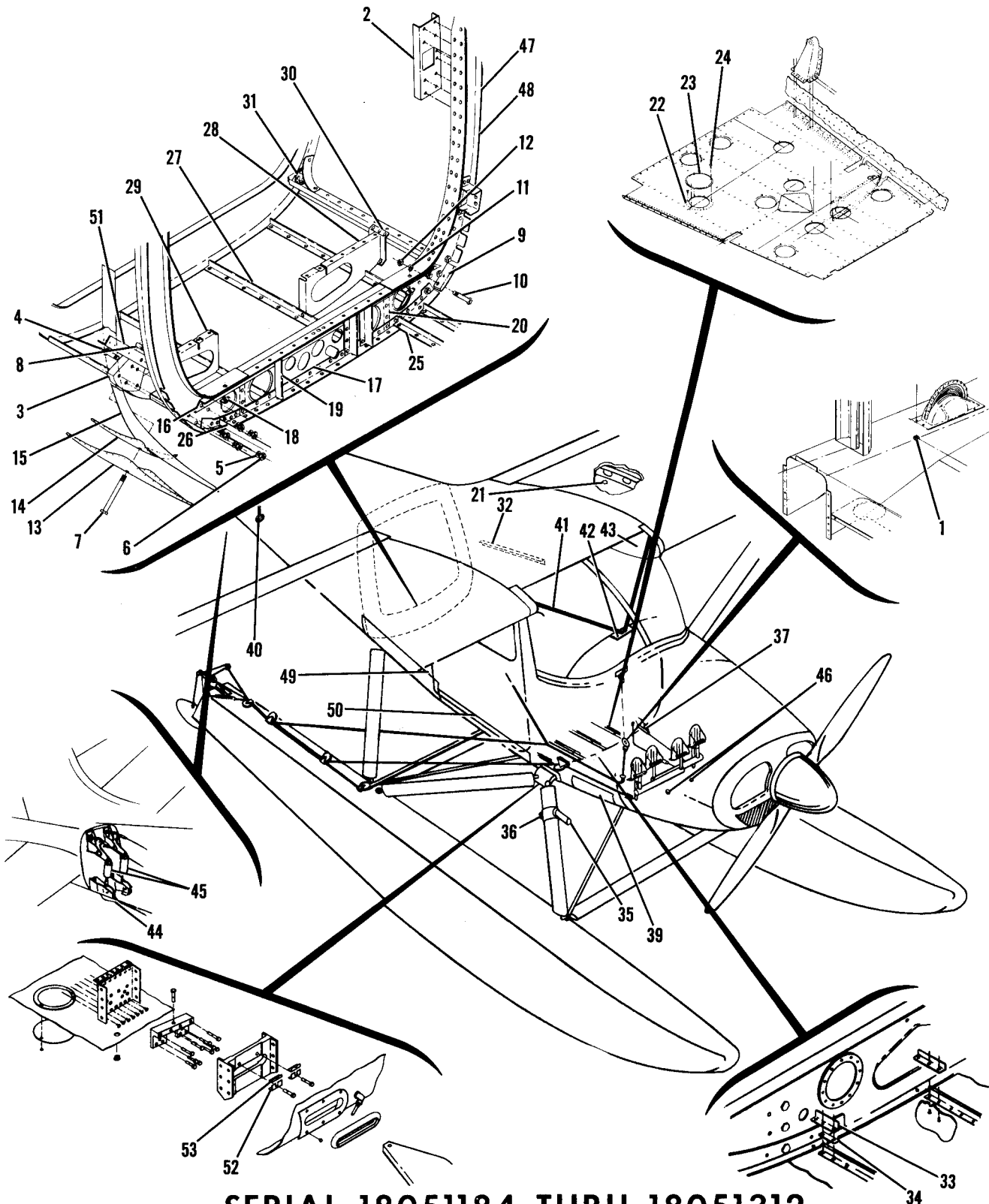


SERIAL 18051184 THRU 18051312

Figure 127. Floatplane Fittings (Edo No. 249-2870)

FIGURE AND INDEX NO.	PART NUMBER	DESCRIPTION	UNITS PER ASSY	USABLE ON CODE
		1 2 3 4 5 6 7		
127 -43	0720004	DRAIN INSTALLATION-FUEL TANK FILLER NECK WELL -----	1	
	0742110-5	SEAL-FUSELAGE -----	2	
	0742110-6	PLATE-COVER SEAL -----	2	
	AN924-4	SEAL -----	6	
-44	0513003-19	BRACE ASSEMBLY -----	1	
		ATTACHING PARTS		
-45	0713156-1	DOUBLER -----	1	
	AN4-6A	BOLT -----	2	
	NAS679A4	NUT -----	2	
		-----*		
-46	0711133-1	SHIELD ASSY-LH -----	1	
	0711133-2	SHIELD ASSY-RH -----	1	
	0413235	GROMMET -----	1	
-47	0742115-44	FAIRING LH -----	1	
	0742115-45	FAIRING RH -----	1	
-48	0742119-1	SPRING & CABLE ASSEMBLY-FLOATPLANE -----	2	
		ATTACHING PARTS		
-49	AN23-11	BOLT -----	2	
	AN310-3	NUT -----	2	
	AN960-10	WASHER -----	2	
	MS24665-134	PIN-COTTER -----	2	
		-----*		
-50	0742373	STOP-COWL FLAP -----	2	
-51	0742115-37	SPLICE -----	2	
-52	0711112-5	BULKHEAD ASSY STA 90.0 WEU 0711112-11 -----	1	
	0711112-11	BULKHEAD ASSY STA 90.0 -----	1	
-53	0742117-4	DOUBLER-RH REAR -----	1	
	0742117-5	DOUBLER-LH REAR -----	1	
-54	0742117-2	DOUBLER-RH FORWARD -----	1	
	0742117-3	DOUBLER-LH FORWARD -----	1	
-55	0742115-18	ANGLE ASSEMBLY-RH -----	1	
	0742115-17	ANGLE ASSEMBLY-LH -----	1	
	0751001-25	MOUNT-ENGINE SEE FIGURE 77 -----	1	
-56	0742115-15	REINFORCEMENT-BULKHEAD -----	1	
-57	0441115-3	WEDGE -----	4	
-58	0741007-1	SHIM -----	AR	
-59	0711059-1	BRACKET-PULLEY -----	2	
		ATTACHING PARTS		
-60	AN507-1032R8	SCREW -----	2	
-61	MS21044N3	NUT -----	2	
		-----*		
-62	0742109-1	ANGLE -----	1	
-63	0742108-1	PLATE -----	2	
	S1050-1-3.15	GROMMET -----	2	
A---SERIAL 18051184 THRU 18051312				

Floatplane (Cont)



SERIAL 18051184 THRU 18051312

Figure 128. Amphibian Fittings



FIGURE AND INDEX NO.	PART NUMBER	DESCRIPTION	UNITS PER ASSY	USABLE ON CODE
128 -		AMPHIBIAN FITTINGS -----	NP	A
- 1	S338-7	FAIRLEAD-RETRACT CABLE -----	1	
	S339-2	CLIP-FAIRLEAD RETAINING -----	1	
- 2	0742115-15	REINFORCEMENT-BULKHEAD LH ONLY -----	1	
- 3	0541129	BLOCK-STRUT ATTACHMENT AFT -----	2	
		ATTACHING PARTS		
- 4	AN4-12A	BOLT -----	5	
- 5	AN960-416	WASHER -----	5	
- 6	NAS679A4	NUT -----	5	
- 7	AN5-32A	BOLT -----	2	
- 8	22NA17A-054	NUTPLATE EN -----	2	
		-----*-----		
- 9	0541128	BLOCK-STRUT ATTACHMENT FORWARD -----	2	
		ATTACHING PARTS		
-10	AN5-15A	BOLT -----	2	
-11	AN960D516	WASHER -----	2	
-12	NAS679A4	NUT -----	2	
		-----*-----		
-13	0341118	DOUBLER-FUSELAGE RH -----	1	
	0341118-1	DOUBLER-FUSELAGE LH -----	1	
-14	0541126	SPACER-FUSELAGE SKIN LAP RH -----	1	
	0541126-1	SPACER-FUSELAGE SKIN LAP LH -----	1	
-15	0742115-51	PLATE-OUTER SPLICE RH -----	1	
	0742115-50	PLATE-OUTER SPLICE LH -----	1	
-16	0742115-16	ANGLE-REINFORCEMENT UPPER -----	1	
	0742115-19	ANGLE-REINFORCEMENT LOWER AFT -----	1	
-17	0742115-20	ANGLE-REINFORCEMENT FORWARD -----	1	
-18	NAS680A4	NUTPLATE -----	3	
-19	0742110-7	ANGLE-FORWARD SIDE -----	3	
-20	0742115-28	ANGLE-AFT SIDE -----	2	
-21	S349	GROMMET-DRAIN -----	10	
-22	S237-1	DOUBLER-INSPECTION OPENING -----	5	
-23	S225-1	COVER-INSPECTION OPENING -----	5	
		ATTACHING PARTS		
-24	49330	TRIMOUNT STUD UC -----	3	
		-----*-----		
-25	0742115-21	ANGLE-STIFFENER -----	1	
-26	0742115-22	ANGLE-STIFFENER -----	1	
-27	0710025-1	ANGLE-STIFFENER -----	2	
-28	0742115-5	BULKHEAD REINFORCEMENT LH -----	1	
-29	0742115-6	BULKHEAD REINFORCEMENT RH -----	1	
-30	0742115-7	CLIP-BAGGAGE DOOR JAMB -----	1	
-31	0711101-20	JAMB-BAGGAGE DOOR LOWER -----	1	
-32	0742115-4	ANGLE-FUSELAGE SIDE STIFFENER -----	4	
-33	0742110-19	SPLICE-ANGLE -----	5	
-34	0742110-20	SHIM-SPLICE ANGLE -----	4	
-35	0541137-11	STEP ASSEMBLY -----	2	
		ATTACHING PARTS		
-36	AN3-7A	BOLT -----	2	
	AN960-10	WASHER -----	2	
	MS21044N3	NUT -----	2	
		-----*-----		
-37	AN837-4D	ELBOW-45 DEGREES -----	1	
	AN960D716L	WASHER -----	1	
	AN924-4D	NUT -----	1	
-38		DELETED, NOT PROCURABLE -----		
-39	0742116-2	REINFORCEMENT-LH -----	1	
	0742116-3	REINFORCEMENT-RH -----	1	
-40	0422349	EYEBOLT -----	1	
		ATTACHING PARTS		
	NAS679A5	NUT -----	1	
		-----*-----		

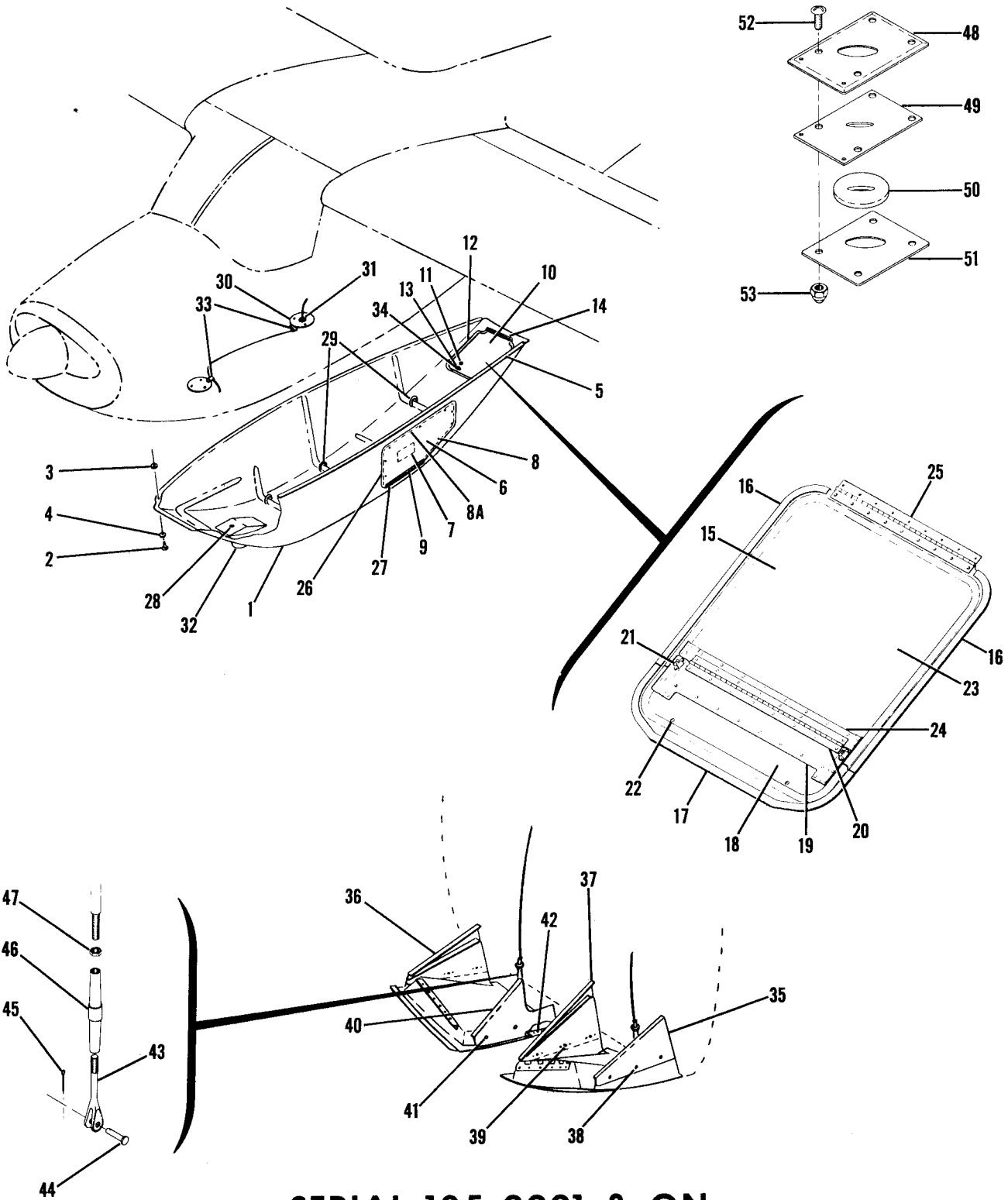
CONTINUED ON PAGE 314

FIGURE AND INDEX NO.	PART NUMBER	DESCRIPTION	UNITS PER ASSY	USABLE ON CODE
128 -41	0513003-6	BRACE ASSEMBLY ----- ATTACHING PARTS -----	1	
-42	0713156-1 AN4-6A NAS679A4	DOUBLER ----- BOLT ----- NUT ----- -----*	1 2 2	
-43	0511311-11 0511311-12 0413235	SHIELD ASSEMBLY LH ----- SHIELD ASSEMBLY RH ----- GROMMET -----	1 1 1	
-44	0742115-44 0742115-45	FAIRING LH ----- FAIRING RH -----	1 1	
-45	0742119-1 AN23-11 AN310-3 AN960-10 MS24665-134	SPRING & CABLE ASSEMBLY-FLOATPLANE ----- ATTACHING PARTS ----- BOLT ----- NUT ----- WASHER ----- PIN-COTTER ----- -----*	2 2 2 2	
-46	0742373	STOP-COWL FLAP -----	2	
-47	0742115-37	SPLICE -----	2	
-48	0711112-5 0711112-11	BULKHEAD ASSEMBLY STA 90.0 WEU 0711112-11 ----- BULKHEAD ASSEMBLY STA 90.0 -----	1 1	
-49	0742117-4 0742117-5	DOUBLER-RH REAR ----- DOUBLER-LH REAR -----	1 1	
-50	0742117-2 0742117-3	DOUBLER-RH FORWARD ----- DOUBLER-LH FORWARD -----	1 1	
-51	0742115-18 0742115-17 0751001-25 0411086-17 0411086-23 S1324N2	ANGLE ASSEMBLY RH ----- ANGLE ASSEMBLY LH ----- MOUNT-ENGINE SEE FIGURE 77 ----- INDICATOR-AIRSPPEED WHEN EXHAUSTED USE S-1324N2 ----- INDICATOR-AIRSPPEED-ALT-WHEN EXHAUSTED USE S-1324N2 ----- INDICATOR-AIRSPPEED -----	1 1 1 1 1	
-52	0441115-3	WEDGE -----	4	
-53	0741007-1 36837	SHIM ----- BALLAST-BULKHEAD STA 230.187 ----- ATTACHING PARTS -----	AR 1	
	AN520-10R72 AN970-3 MS21044N3	SCREW ----- WASHER ----- NUT ----- -----*	4 4 4	
A---SERIAL 18051184 THRU 18051312				

FIGURE AND INDEX NO.	PART NUMBER	DESCRIPTION	UNITS PER ASSY	USABLE ON CODE
129 -		CARGO PACK INSTALLATION -----	NP	C
- 1	0700067-2	CARGO PACK ASSEMBLY -----	1	
	0700067-43	CARGO PACK ASSEMBLY FLOATPLANE -----	1	
		ATTACHING PARTS -----		
- 2	NAS221-13	SCREW -----	32	
- 3	AN936B10	WASHER -----	32	
- 4	AN960-10L	WASHER -----	32	
	S10K140	RIVNUT -----	28	
	S10K230	RIVNUT -----	2	
	NAS697A3	NUTPLATE -----	2	
- 5	S1042-1-275	SEAL -----	AR	
		-----*		
- 6	0700067-3	DOOR ASSEMBLY-SIDE -----	1	A
	0700067-45	DOOR ASSEMBLY-SIDE -----	1	B
- 7	0713229-1	PLACARD -----	1	
- 8	WL98293-2-.190	STUD-AIRLOC -----	5	A
	4002-4	STUD-CAMLOC -----	3	B
		ATTACHING PARTS -----		
	S1853-4	PIN -----	1	A
	4002G	GROMMET-CAMLOC -----	1	B
		-----*		
	0413323-6	LOCK ASSEMBLY-DOOR WHEN EXHAUSTED -----	1	B
		USE C253001-0101 LOCK & 0413322-4 CAM		
	C253001-0101	LOCK ASSEMBLY-DOOR -----	1	
	0413322-4	CAM-DOOR LOCK -----	1	
- 8A	S1082-1	SEAL-70.0 IN LG BULK ITEM REF S1082-1-70.00 -----	1	
	S1853-1	RECEPTACLE -----	8	A
- 9	0700067-23	HINGE ASSEMBLY -----	1	
	0700067-26	HINGE HALF-UPPER -----	1	
	0700067-25	HINGE HALF-LOWER -----	1	
	0700067-29	PIN-HINGE -----	1	
-10	0700067-4	DOOR ASSEMBLY-REAR -----	1	A
	0700067-51	DOOR ASSEMBLY-REAR -----	1	B
-11	0813503-8	KNOB -----	2	
		ATTACHING PARTS -----		
	AN515-8R8	SCREW -----	1	
	AN960-8	WASHER -----	1	
		-----*		
-12	S1082-1-62	SEAL -----	AR	A
	S1055-1-62	SEAL -----	AR	B
-13	S1853-1	RECEPTACLE -----	2	A
	4002-244-16	RECEPTACLE-CALMOC -----	2	B
-14	0700067-24	HINGE ASSEMBLY -----	1	
	0700067-27	HINGE HALF UPPER -----	1	
	0700067-28	HINGE HALF LOWER -----	1	
	0700067-30	PIN-HINGE -----	1	
-15	0700067-35	DOOR ASSEMBLY-REAR FLOATPLANE ONLY -----	1	
-16	S1082-1-18	SEAL-UPPER FLOATPLANE ONLY -----	2	
-17	S1082-1-26	SEAL-LOWER FLOATPLANE ONLY -----	1	
-18	0700067-41	DOOR HALF LOWER FLOATPLANE ONLY -----	1	
-19	0700067-38	REINFORCEMENT ASSEMBLY -----	1	
-20	0700067-31	HINGE ASSEMBLY -----	1	
	0700067-32	HINGE HALF -----	1	
	0700067-33	HINGE HALF -----	1	
	0700067-34	PIN-HINGE -----	1	
-21	S1853-1	RECEPTACLE -----	2	
-22	0813503-8	KNOB -----	2	
		ATTACHING PARTS -----		
	AN515-8R8	SCREW -----	1	
	AN960-8	WASHER -----	1	
		-----*		
-23	0700067-42	DOOR HALF UPPER FLOATPLANE ONLY -----	1	
-24	0700067-37	REINFORCEMENT -----	1	
	WL98293-2-.200	STUD-AIRLOC -----	2	
		ATTACHING PARTS -----		
	S1853-4	PIN -----	1	
	AN960-8L	WASHER -----	1	
		-----*		

CONTINUED ON NEXT PAGE

Cargo Pod



SERIAL 185-0001 & ON

Figure 129. Cargo Pod Installation

FIGURE AND INDEX NO.	PART NUMBER	DESCRIPTION							UNITS PER ASSY	USABLE ON CODE
		1	2	3	4	5	6	7		
129 -25	0700067-24	HINGE ASSEMBLY -----							1	
	0700067-27	HINGE HALF UPPER -----							1	
	0700067-28	HINGE HALF LOWER -----							1	
	0700067-30	PIN-HINGE -----							1	
-26	S202RB	SEAL-SIDE DOOR -----							AR	
-27	0700067-22	DOUBLER -----							1	
	0700083-1	ANGLE -----							1	
-28	MS35489-9	GROMMET -----							1	
-29	0700069-1	LUG-CARGO TIE DOWN -----							6	
		ATTACHING PARTS								
	AN3-14A	BOLT -----							1	
	AN960-10L	WASHER -----							2	
	MS21044N3	NUT -----							1	
		---*---								
-30	0713230-1	COVER PLATE ASSEMBLY -----							1	
-31	MS35489-33	GROMMET -----							1	
-32	AN515-6R8	SCREW -----							5	
	NAS680A06	NUTPLATE -----							5	
-33	S1155-2	CLAMP -----							2	
-34	WL98293-3-.310	STUD-AIRLOC -----							2	
		COWL FLAP EXTENSIONS INSTALLATION -----							NP	
-35	0752036-2	BAFFLE-OUTBOARD LH FLAP -----							1	
-36	0752036-3	BAFFLE-OUTBOARD RH FLAP -----							1	
-37	0752036-4	BAFFLE-INBOARD LH FLAP -----							1	
		ATTACHING PARTS								
-38	AN520-10R8	SCREW -----							3	
-39	MS20365-1032C	NUT -----							3	
		---*---								
-40	0752036-6	BAFFLE ASSEMBLY-INBOARD RH FLAP -----							1	
		ATTACHING PARTS								
-41	AN520-10R8	SCREW -----							3	
	MS20365-1032	NUT -----							2	
		---*---								
-42	NAS697-A3	NUTPLATE -----							1	
-43	AN161-22LL	FORK -----							2	
		ATTACHING PARTS								
-44	MS20392-2C13	PIN-FLATHEAD -----							1	
-45	MS24665-132	PIN-COTTER -----							1	
		---*---								
-46	AN155B32S	BARREL -----							2	
-47	AN316-4	NUT -----							2	
		SEAL INSTALLATION-FLOATPLANE CARGO PACK -----							NP	
-48	0700072-3	PLATE-LOWER FORWARD RH & LOWER AFT LH -----							2	
	0700072-4	PLATE-LOWER FORWARD RH & LOWER AFT RH -----							2	
-49	0700072-5	SEAL -----							4	
-50	0700072-6	SEAL -----							4	
-51	0700072-7	PLATE -----							4	
		ATTACHING PARTS								
-52	AN520-10R8	SCREW -----							4	
-53	22NKM-02	NUT EN -----							4	
		---*---								
		A---SERIAL 185-0001 THRU 185-0274								
		B---SERIAL 185-0275 & ON								
		C---SERIAL 185-0001 & ON								

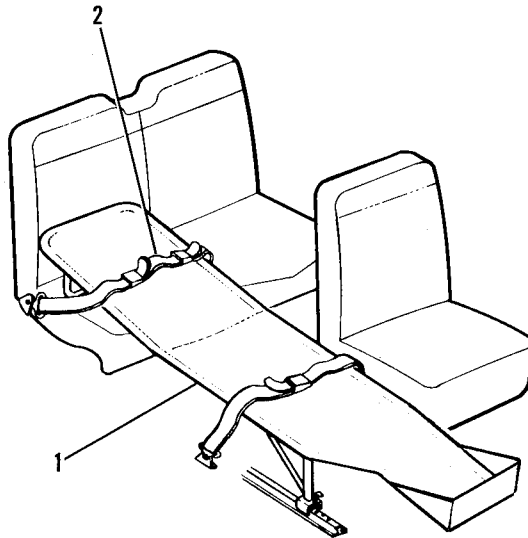


Figure 130. Stretcher Installation

FIGURE AND INDEX NO.	PART NUMBER	DESCRIPTION	UNITS PER ASSY	USABLE ON CODE
130 - - 1 - 2	0700164-6 FDC2475-50 S1809-1	<p style="text-align: center;">1 2 3 4 5 6 7</p> <p>STRETCHER INSTALLATION -----</p> <p>STRETCHER ASSEMBLY -----</p> <p>BELT-EXTENSION -----</p> <p>BELT-EXTENSION -----</p> <p>A---SERIAL 18051184 THRU 18051875 SERIAL 185-0001 THRU 185-1300</p> <p>B---SERIAL 18051876 & ON SERIAL 185-1301 & ON</p>	NP 1 1 1	A B

FIGURE AND INDEX NO.	PART NUMBER	DESCRIPTION	UNITS PER ASSY	USABLE ON CODE
		1 2 3 4 5 6 7		
131 -		CENTER-LINE CAMERA PROVISIONS INSTALLATION -----	NP	A
- 1	0710001-23	BRACKET ASSEMBLY-SHAFT INBOARD -----	1	
- 2	0761210-1	SPROCKET -----	1	
		ATTACHING PARTS -----		
- 3	0761205-3 NAS561-3-8	PIN WHEN EXHAUSTED USE NAS561-3-8 -----	1	B
		ROLL PIN -----	1	C
		-----*		
- 4	0710001-16	BRACKET ASSEMBLY-SHAFT -----	1	
		ATTACHING PARTS -----		
	AN507-632R10	SCREW -----	4	
	NAS679A06	NUT -----	4	
		-----*		
- 5	0710001-25	SPROCKET GUARD -----	1	
		ATTACHING PARTS -----		
	AN507-632R8	SCREW -----	1	
	NAS679A06	NUT -----	1	
		-----*		
- 6	0710001-17	SHAFT -----	1	
- 7	0710001-3	BRACKET-RUDDER FORWARD RIGHT -----	1	
- 8	0710001-62	BRACKET-PULLEY -----	4	
- 9	0710001-5	BRACKET-RUDDER & ELEVATOR LEFT -----	1	
-10	0710001-6	BRACKET-RUDDER & ELEVATOR RIGHT -----	1	
-11	0710001-54	BRACKET-RUDDER AFT LEFT -----	1	
-12	0710001-8	BRACKET-ELEVATOR AFT -----	1	
-12A	MS20220-1	PULLEY REPLACES MS20220-2 ON AIRPLANES THAT USE -----	1	
		2 PULLEYS ON INDEXED ITEM 16 -----		
-13	MS20220-2	PULLEY -----	3	
		ATTACHING PARTS -----		
	AN5-11A	BOLT -----	4	
	NAS679A5	NUT -----	4	
	AN960-516L	WASHER -----	4	
	MS24665-136	PIN-COTTER CABLE GUARD -----	4	
	MS20392-3C55	PIN-FLATHEAD -----	4	
	MS24665-132	PIN-COTTER -----	4	
		-----*		
-14	AN44-4A	BOLT-EYE -----	16	
		ATTACHING PARTS -----		
	NAS679A5	NUT -----	1	
	AN960-516L	WASHER -----	1	
		-----*		
-15	0710001-1	BRACKET-STABILIZER AFT -----	1	
-16	0710001-10	BRACKET-STABILIZER FORWARD -----	1	
-17	0710001-19	BRACKET-PULLEY -----	2	
	S378-1L	PULLEY -----	4	
		ATTACHING PARTS -----		
	AN3-10A	BOLT -----	2	
	MS21044N3	NUT -----	2	
	AN960-416	WASHER -----	2	
	MS24665-132	PIN-COTTER -----	2	
	MS24665-136	PIN-COTTER CABLE GUARD -----	2	
	MS20392-3C47	PIN-FLAT HEAD -----	2	
		-----*		
-18	AN44-4A	BOLT-EYE -----	4	
-19	0710001-46	BOLT-EYE -----	1	
		ATTACHING PARTS -----		
	NAS679A5	NUT -----	1	
	AN960-516L	WASHER -----	1	
		-----*		
-19A	0710001-46	BOLT-EYE -----	1	F
	AN44-10A	BOLT-EYE -----	2	G
		ATTACHING PARTS -----		
	NAS679A5	NUT -----	1	
	AN960-516L	WASHER -----	1	
	0710001-46	SPACER -----	1	G
		-----*		

CONTINUED ON NEXT PAGE

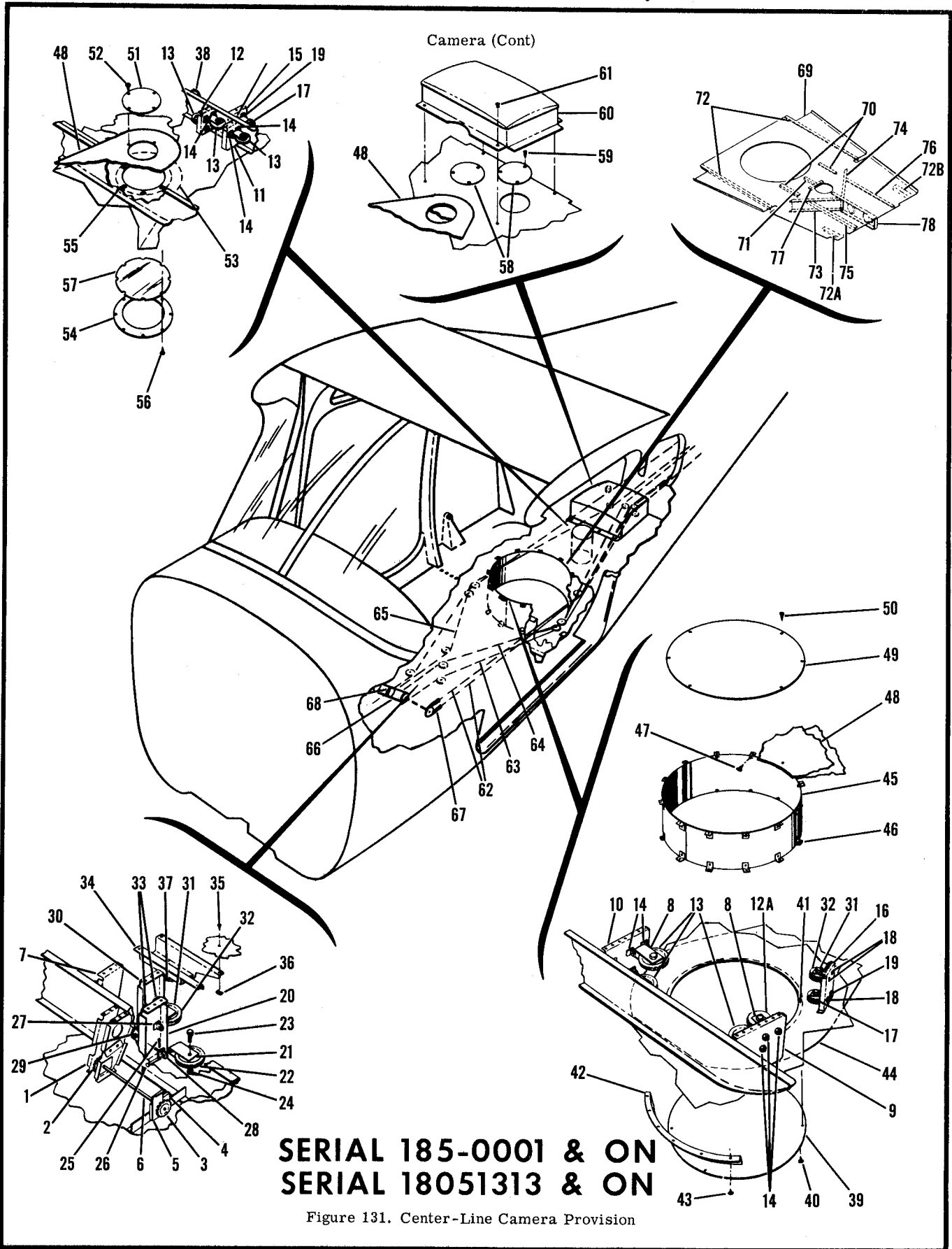


FIGURE AND INDEX NO.	PART NUMBER	DESCRIPTION	UNITS PER ASSY	USABLE ON CODE
		1 2 3 4 5 6 7		
131 -20	0710001-2	BRACKET-RUDDER FORWARD LEFT -----	1	
-21	0710001-62	BRACKET-PULLEY -----	1	
-22	MS20220-2	PULLEY -----	1	
		ATTACHING PARTS		
-23	AN5-11A	BOLT -----	1	
-24	NAS679A5	NUT -----	1	
	AN960-516L	WASHER -----	1	
	MS24665-132	PIN-COTTER -----	1	
-25	MS24665-136	PIN-COTTER CABLE GUARD -----	1	
-26	MS20392-3C55	PIN-FLAT HEAD -----	1	
		*-----		
-27	AN44-4A	BOLT-EYE -----	1	
-28	0710001-46	BOLT-EYE -----	1	
		ATTACHING PARTS		
-29	NAS679A5	NUT -----	1	
	AN960-516L	WASHER -----	1	
		*-----		
-30	0710001-4	BRACKET-ELEVATOR FORWARD LOWER -----	1	
-31	0710001-20	BRACKET-PULLEY -----	2	
-32	S378-3	PULLEY -----	2	
		ATTACHING PARTS		
	AN4-7A	BOLT -----	1	
	NAS679A4	NUT -----	1	
	AN960-416	WASHER -----	1	
	MS24665-132	PIN-COTTER -----	1	
	MS24665-136	PIN-COTTER CABLE GUARD -----	1	
	MS20392-3C55	PIN-FLAT HEAD -----	1	
		*-----		
-33	0710001-46	BOLT-EYE -----	2	
		ATTACHING PARTS		
	NAS679A5	NUT -----	1	
	AN960-516L	WASHER -----	1	
		*-----		
-34	0710001-26	BRACKET ASSEMBLY-ELEVATOR FORWARD UP CABLE -----	1	
		ATTACHING PARTS		
-35	AN515-8R9	SCREW -----	4	
-36	NAS679A08	NUT -----	4	
		*-----		
	0710001-26	BRACKET-FAIRLEAD -----	1	
-37	MS20220-2	PULLEY -----	1	
		ATTACHING PARTS		
	AN5-11A	BOLT -----	1	
	NAS679A5	NUT -----	1	
	AN960D516L	WASHER -----	1	
	MS24665-136	PIN-COTTER -----	1	
		*-----		
-38	S378-3	PULLEY -----	1	
		ATTACHING PARTS		
	AN4-10A	BOLT -----	1	
	NAS679A4	NUT -----	1	
		*-----		
-39	0710001-14	COVER PLATE-FUSELAGE -----	1	D
	0710001-73	COVER PLATE-FUSELAGE -----	1	E
		ATTACHING PARTS		
-40	S102128-8	SCREW -----	8	D
	S102128-6	SCREW -----	12	E
-41	S1863-3	NUTPLATE -----	8	D
	S1863-3	NUTPLATE -----	12	E
		*-----		
-42	0710001-42	DEFLECTOR-GAS -----	1	
		ATTACHING PARTS		
-43	S102128-8	SCREW -----	6	
	NAS444-4	NUTPLATE -----	6	
		*-----		
-44	0710001-13	DOUBLER-FUSELAGE -----	1	D
	0710001-72	DOUBLER-FUSELAGE -----	1	E
		ATTACHING PARTS		
-45	0710001-15	BULKHEAD-CIRCULAR -----	1	
-46	0710001-45	ANGLE ASSEMBLY -----	24	
	NAS680A08	NUTPLATE -----	1	
-47	NAS220-8	SCREW -----	24	
		*-----		
-48	0710001-12	DOUBLER-FLOORBOARD -----	1	

CONTINUED ON NEXT PAGE

FIGURE AND INDEX NO.	PART NUMBER	DESCRIPTION	UNITS PER ASSY	USABLE ON CODE
131 -49	0710001-11	COVER PLATE-FLOORBOARD ATTACHING PARTS	1	
	NAS680A3	NUT	4	
-50	AN520-10R9	SCREW	4	
		---*---		
-51	0710001-34	COVER PLATE-VIEW FINDER FLOORBOARD ATTACHING PARTS	1	
	NAS680A06	NUT	4	
-52	AN515-6R5	SCREW	4	
		---*---		
-53	0710001-30	DOUBLER-VIEW FINDER LOWER	1	
-54	0710001-31	RING-RETAINER ATTACHING PARTS	1	
	NAS444-4	NUT	8	
-56	S1021Z8-8	SCREW	8	
		---*---		
-57	0710001-32	WINDOW-VIEW FINDER PLEXIGLASS	1	
-58	S225-1	PLATE-INSPECTION COVER ATTACHING PARTS	2	
-59	49330	STUD-TRI-MOUNT UC	3	
		---*---		
-60	0710001-36	SEAT ASSEMBLY-CAMERA ATTACHING PARTS	1	
-61	AN520-10R9	SCREW	4	
	NAS680A3	NUTPLATE	4	
		---*---		
-62	0510105-28	CABLE-STABILIZER TRIM	2	
-63	0510105-167	CABLE-RUDDER LEFT	1	
	0510105-168	CABLE-RUDDER RIGHT	1	
-64	0510105-132	CABLE-ELEVATOR LOWER	1	
-65	0510105-131	CABLE-ELEVATOR UPPER	1	
-66	0432138-5	CHAIN-STABILIZER	1	
-67	0432138-4	CHAIN-STABILIZER	1	
-68	0432134-4	SPROCKET-IDLER ATTACHING PARTS	1	
	AN3-62A	BOLT	1	
	NAS43HT3-256	SPACER	1	
	NAS43HT3-92	SPACER	1	
	MS21044N3	NUT	1	
		---*---		
-69	0710001-64	FLOORBOARD ASSEMBLY	1	
-70	0710001-50	STIFFENER	2	
-71	0710001-51	STIFFENER	1	
-72	0512107-12	STIFFENER	2	
-72A	0713942-1	SUPPORT ASSEMBLY-LH	1	
-72B	0713942-2	SUPPORT ASSEMBLY-RH ATTACHING PARTS	1	
	AN515-8R8	SCREW	2	
		---*---		
-73	0710001-56	BULKHEAD-LH	1	
-74	0710001-57	BULKHEAD-RH	1	
-75	0710001-58	ANGLE-LH	1	
-76	0710001-59	ANGLE-RH	1	
-77	0710001-60	ANGLE-BULKHEAD	1	F
	0710001-74	ANGLE-BULKHEAD	1	G
-78	0710001-61	BULKHEAD	1	
<p>A---SERIAL 185-0001 & ON SERIAL 18051313 & ON</p> <p>B---SERIAL 185-0001 THRU 18501604 SERIAL 18051313 THRU 18052104</p> <p>C---SERIAL 18501605 & ON SERIAL 18052105 & ON</p> <p>D---SERIAL 185-0001 THRU 18501643 SERIAL 18051313 THRU 18052121</p> <p>E---SERIAL 18501644 & ON SERIAL 18052122 & ON</p> <p>F---SERIAL 185-0001 THRU 18501832 SERIAL 18051313 THRU 18052175</p> <p>G---SERIAL 18501833 & ON SERIAL 18052176 & ON</p>				

FIGURE AND INDEX NO.	PART NUMBER	DESCRIPTION	UNITS PER ASSY	USABLE ON CODE
		1 2 3 4 5 6 7		
132 -		CENTER-LINE CAMERA PROVISIONS INSTALLATION -----	NP	A
- 1	0710001-23	BRACKET ASSEMBLY-SHAFT INBOARD -----	1	
- 2	0761210-1	SPROCKET -----	1	
		ATTACHING PARTS -----		
- 3	0761205-3	PIN WHEN EXHAUSTED USE NAS561-3-8 -----	1	
	NAS561-3-8	ROLL PIN -----	1	
		-----*		
- 4	0710001-16	BRACKET ASSEMBLY-SHAFT -----	1	
		ATTACHING PARTS -----		
	AN507-632R10	SCREW -----	4	
	NAS679A06	NUT -----	4	
		-----*		
- 5	0710001-25	SPROCKET GUARD -----	1	
		ATTACHING PARTS -----		
	AN507-632R8	SCREW -----	1	
	NAS679A06	NUT -----	1	
		-----*		
- 6	0710001-17	SHAFT -----	1	
- 7	0710001-3	BRACKET-RUDDER FORWARD RIGHT -----	1	
- 8	C710001-62	BRACKET-PULLEY -----	4	
- 9	0710001-5	BRACKET-RUDDER & ELEVATOR LEFT -----	1	
-10	0710001-6	BRACKET-RUDDER & ELEVATOR RIGHT -----	1	
-11	0710001-54	BRACKET-RUDDER AFT LEFT -----	1	
-12	0710001-8	BRACKET-ELEVATOR AFT -----	1	
-13	MS20220-2	PULLEY -----	4	
		ATTACHING PARTS -----		
	AN5-11A	BOLT -----	4	
	NAS679A5	NUT -----	4	
	AN960-516L	WASHER -----	4	
	MS24665-136	PIN-COTTER -----	4	
	MS20392-3C55	PIN-FLAT HEAD -----	4	
	MS24665-132	PIN-COTTER -----	4	
		-----*		
-14	AN44-4A	BOLT-EYE -----	16	
		ATTACHING PARTS -----		
	NAS679A5	NUT -----	1	
	AN960-516L	WASHER -----	1	
		-----*		
-15	0710001-1	BRACKET-STABILIZER AFT -----	1	
-16	0710001-10	BRACKET-STABILIZER FORWARD -----	1	
-17	0710001-19	BRACKET-PULLEY -----	2	
	S378-1L	PULLEY -----	4	
		ATTACHING PARTS -----		
	AN3-10A	BOLT -----	2	
	MS21044N3	NUT -----	2	
	AN960-416	WASHER -----	2	
	MS24665-132	PIN-COTTER -----	2	
	MS24665-136	PIN-COTTER CABLE GUARD -----	2	
	MS20392-3C47	PIN-FLAT HEAD -----	2	
		-----*		
-18	AN44-4A	BOLT-EYE -----	2	
-19	0710001-46	BOLT-EYE -----	2	
		ATTACHING PARTS -----		
	NAS679A5	NUT -----	1	
	AN960-516L	WASHER -----	1	
		-----*		

CONTINUED ON NEXT PAGE

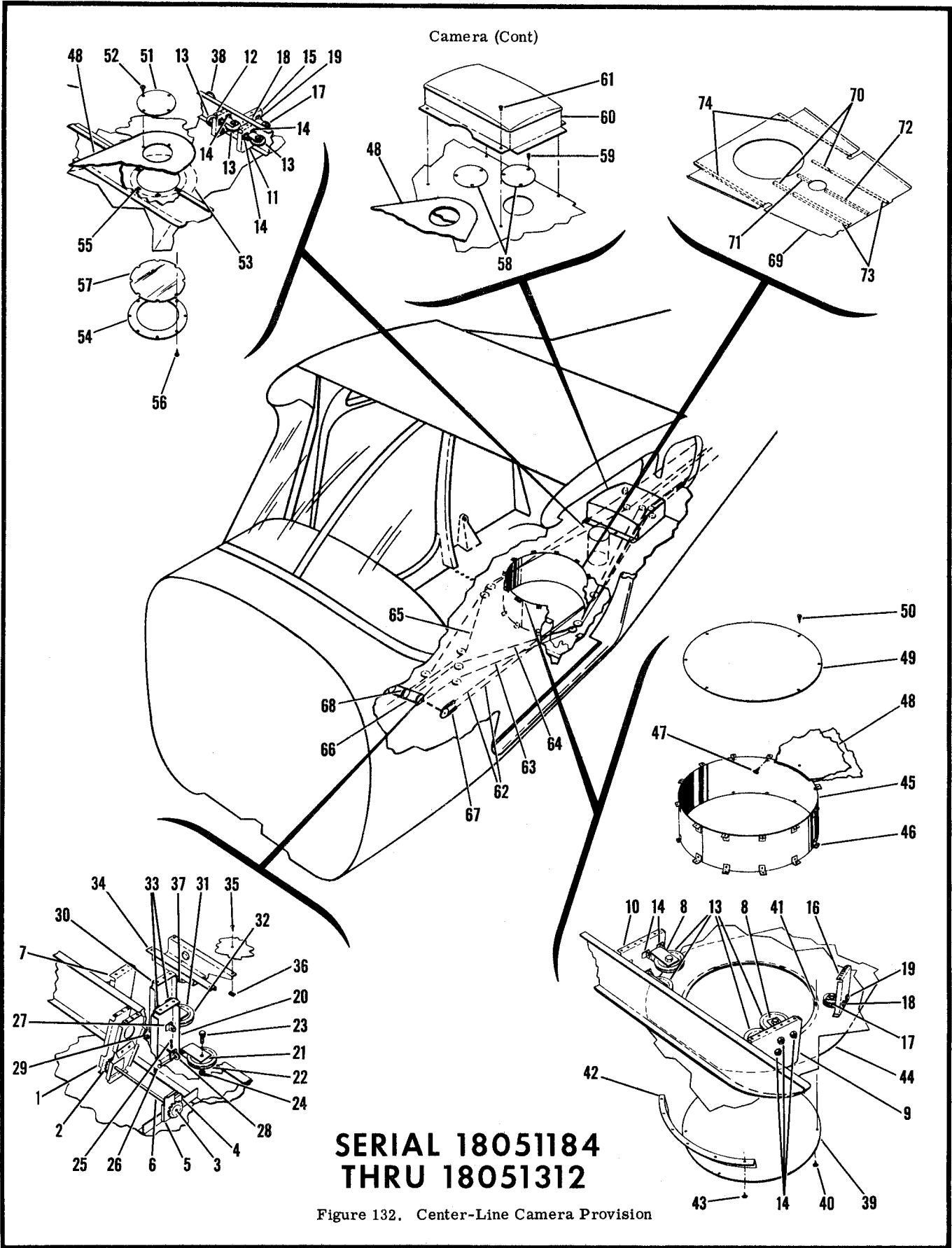


FIGURE AND INDEX NO.	PART NUMBER	DESCRIPTION	UNITS PER ASSY	USABLE ON CODE
		1 2 3 4 5 6 7		
132 -20	0710001-2	BRACKET-RUDDER FORWARD LEFT -----	1	
-21	0710001-62	BRACKET-PULLEY -----	1	
-22	MS20220-2	PULLEY -----	1	
		ATTACHING PARTS		
-23	AN5-11A	BOLT -----	1	
-24	NAS679A5	NUT -----	1	
	AN960-516L	WASHER -----	1	
	MS24665-132	PIN-COTTER -----	1	
-25	MS24665-136	PIN-COTTER CABLE GUARD -----	1	
-26	MS20392-3C55	PIN-FLAT HEAD -----	1	
		*-----		
-27	AN44-4A	BOLT-EYE -----	1	
-28	0710001-46	BOLT-EYE -----	1	
		ATTACHING PARTS		
-29	NAS679A5	NUT -----	1	
	AN960-516L	WASHER -----	1	
		*-----		
-30	0710001-4	BRACKET-ELEVATOR FORWARD LOWER -----	1	
-31	0710001-20	BRACKET-PULLEY -----	1	
-32	S378-3	PULLEY -----	1	
		ATTACHING PARTS		
	AN4-7A	BOLT -----	1	
	NAS679A4	NUT -----	1	
	AN960-416	WASHER -----	1	
	MS24665-132	PIN-COTTER -----	1	
	MS24665-136	PIN-COTTER CABLE GUARD -----	1	
	MS20392-3C55	PIN-FLATHEAD -----	1	
		*-----		
-33	0710001-46	BOLT-EYE -----	2	
		ATTACHING PARTS		
	NAS679A5	NUT -----	1	
	AN960-516L	WASHER -----	1	
		*-----		
-34	0710001-26	BRACKET ASSEMBLY-ELEVATOR FORWARD UP CABLE -----	1	
		ATTACHING PARTS		
-35	AN515-8R9	SCREW -----	4	
-36	NAS679A08	NUT -----	4	
		*-----		
	0710001-26	BRACKET-FAIRLEAD -----	1	
-37	MS20220-2	PULLEY -----	1	
		ATTACHING PARTS		
	AN5-11A	BOLT -----	1	
	NAS679A5	NUT -----	1	
	AN960D516L	WASHER -----	1	
	MS24665-136	PIN-COTTER -----	1	
		*-----		
-38	S378-3	PULLEY -----	1	
		ATTACHING PARTS		
	AN4-10A	BOLT -----	1	
	NAS679A4	NUT -----	1	
		*-----		
-39	0710001-14	COVER PLATE-FUSELAGE -----	1	
		ATTACHING PARTS		
-40	S1021Z8-8	SCREW -----	8	
-41	NAS444-4	NUTPLATE TIN A6191-8Z-3 -----	8	
		*-----		
-42	0710001-42	DEFLECTOR-GAS -----	1	
		ATTACHING PARTS		
-43	S1021Z8-8	SCREW -----	6	
	NAS444-4	NUTPLATE TIN A6191-8Z-3 -----	6	
		*-----		
-44	0710001-13	DOUBLER-FUSELAGE -----	1	
		ATTACHING PARTS		
-45	0710001-15	BULKHEAD-CIRCULAR -----	1	
-46	0710001-45	ANGLE ASSEMBLY -----	24	
	NAS680A08	NUTPLATE -----	1	
-47	NAS220-8	SCREW -----	24	
		*-----		

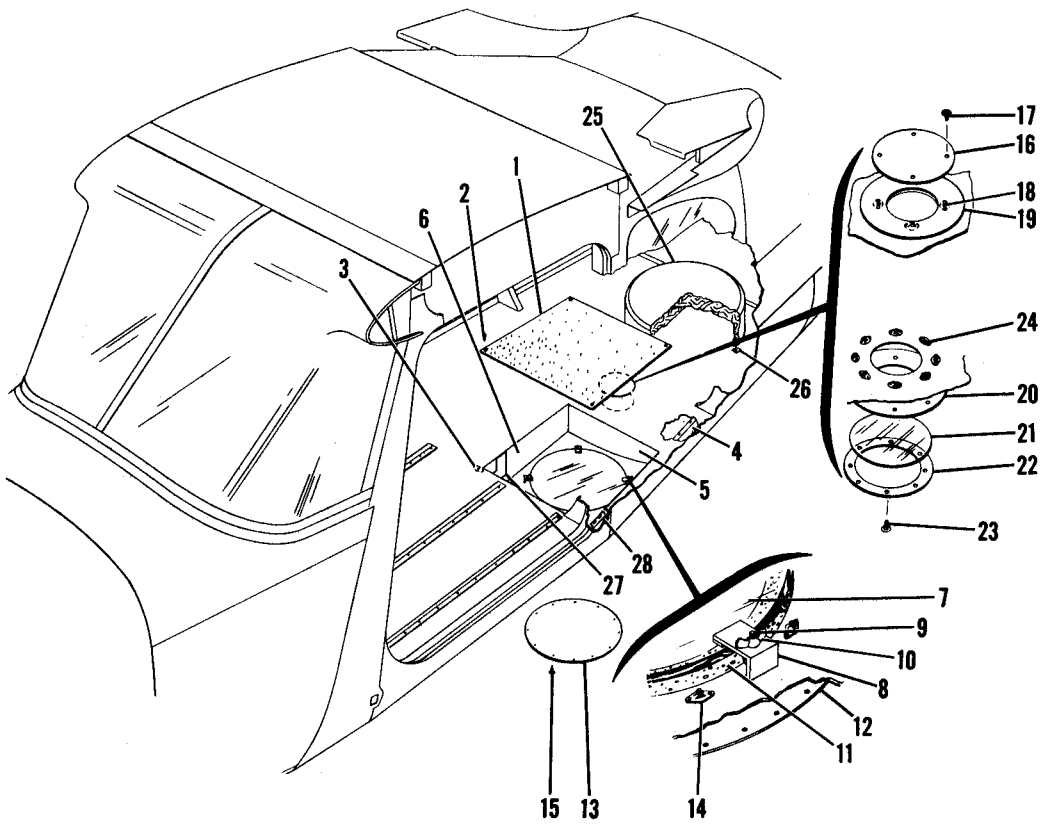
CONTINUED ON NEXT PAGE

FIGURE AND INDEX NO.	PART NUMBER	DESCRIPTION	UNITS PER ASSY	USABLE ON CODE		
					1	2
132 -48	0710001-12	DOUBLER-FLOORBOARD -----	1			
-49	0710001-11	COVER PLATE-FLOORBOARD -----	1			
	NAS680A3	ATTACHING PARTS -----				
-50	AN520-10R9	NUT -----	4			
		SCREW -----	4			
		-----*				
-51	0710001-34	COVER PLATE-VIEW FINDER FLOORBOARD -----	1			
	NAS680A06	ATTACHING PARTS -----				
-52	AN515-6R5	NUT -----	4			
		SCREW -----	4			
		-----*				
-53	0710001-30	DOUBLER-VIEW FINDER LOWER -----	1			
-54	0710001-31	RING-RETAINER -----	1			
	NAS444-4	ATTACHING PARTS -----				
-55	S1021Z8-8	NUT TIN A6191-8Z-3 -----	8			
-56		SCREW -----	8			
		-----*				
-57	0710001-32	WINDOW-VIEW FINDER PLEXIGLASS -----	1			
-58	S225-1	PLATE-INSPECTION COVER -----	2			
		ATTACHING PARTS -----				
-59	49330	STUD-TRI-MOUNT UC -----	3			
		-----*				
-60	0710001-36	SEAT ASSEMBLY-CAMERA -----	1			
		ATTACHING PARTS -----				
-61	AN520-10R9	SCREW -----	4			
	NAS680A3	NUTPLATE -----	4			
		-----*				
-62	0510105-28	CABLE-STABILIZER TRIM -----	2			
-63	0510105-167	CABLE-RUDDER LEFT -----	1			
	0510105-168	CABLE-RUDDER RIGHT -----	1			
-64	0510105-132	CABLE-ELEVATOR LOWER -----	1			
-65	0510105-131	CABLE-ELEVATOR UPPER -----	1			
-66	0432138-5	CHAIN-STABILIZER -----	1			
-67	0432138-4	CHAIN-STABILIZER -----	1			
-68	0432134-4	SPROCKET-IDLER -----	1			
		ATTACHING PARTS -----				
	AN3-62A	BOLT -----	1			
	NAS43HT3-256	SPACER -----	1			
	NAS43HT3-92	SPACER -----	1			
	MS21044N3	NUT -----	1			
		-----*				
-69	0710001-49	FLOORBOARD ASSEMBLY -----	1			
-70	0710001-50	STIFFENER -----	2			
-71	0710001-51	STIFFENER -----	1			
-72	0710001-52	STIFFENER -----	1			
-73	0512107-30	STIFFENER -----	2			
-74	0512107-12	STIFFENER -----	2			

A---SERIAL 18051184 THRU 18051312

This page intentionally left blank.

Camera



SERIAL 18051184 THRU 18051312

Figure 133. Off -Center Camera Provisions

FIGURE AND INDEX NO.	PART NUMBER	DESCRIPTION	UNITS PER ASSY	USABLE ON CODE
		1 2 3 4 5 6 7		
133 -		OFF CENTER CAMERA PROVISIONS INSTALLATION -----	NP	A
- 1	0510010-18	COVER ASSEMBLY-CAMERA BAY -----	1	
		ATTACHING PARTS -----		
- 2	AN520-10R9	SCREW -----	4	
- 3	NAS680A3	NUTPLATE -----	4	
		*-----		
- 4	0510010-32	BULKHEAD ASSEMBLY-CAMERA STRUCTURE OUTBOARD -----	1	
- 5	0510010-3	BULKHEAD-CAMERA STRUCTURE AFT -----	1	
- 6	0510010-31	BULKHEAD ASSEMBLY-CAMERA STRUCTURE INBOARD -----	1	
- 7	0510010-11	WINDOW-CAMERA GLASS -----	1	
		ATTACHING PARTS -----		
- 8	0510010-16	CLAMP ASSEMBLY -----	4	
- 9	AN520-10R16	SCREW -----	4	
	MS21044N3	NUT -----	4	
	AN935-10	LOCKWASHER -----	4	
-10	AN350-1032	WINGNUT -----	4	
		*-----		
-11	0510010-12	SEAL-CAMERA CUTOUT -----	1	
-12	0510010-4	DOUBLER-CAMERA CUTOUT -----	1	
-13	0510010-2	COVER-CAMERA WINDOW -----	1	
		ATTACHING PARTS -----		
-14	NAS444-4	NUTPLATE TIN A6191-8Z-3 -----	12	
-15	S1021Z8-8	SCREW -----	12	
		*-----		
-16	0510010-30	COVER ASSEMBLY-OBSERVATION WINDOW -----	1	
		ATTACHING PARTS -----		
-17	S1021Z8-8	SCREW -----	4	
-18	NAS444-4	NUTPLATE TIN A6191-8Z-3 -----	4	
		*-----		
-19	0510010-15	DOUBLER-OBSERVATION WINDOW -----	1	
-20	0510010-5	DOUBLER-OBSERVATION WINDOW -----	1	
-21	0510010-6	PLATE-PLEXIGLASS -----	1	
-22	0510010-7	RING-SUPPORT -----	1	
		ATTACHING PARTS -----		
-23	S1021Z8-8	SCREW -----	8	
-24	NAS444-4	NUTPLATE TIN A6191-8Z-3 -----	8	
		*-----		
-25	0510190	SEAT-CAMERA -----	1	
		ATTACHING PARTS -----		
-26	AN520-10R9	SCREW -----	4	
	NAS680A3	NUTPLATE -----	4	
		*-----		
-27	0510010-19	DOUBLER -----	1	
-28	0510010-21	ANGLE -----	1	
		*-----		
		A---SERIAL 18051184 THRU 18051312		

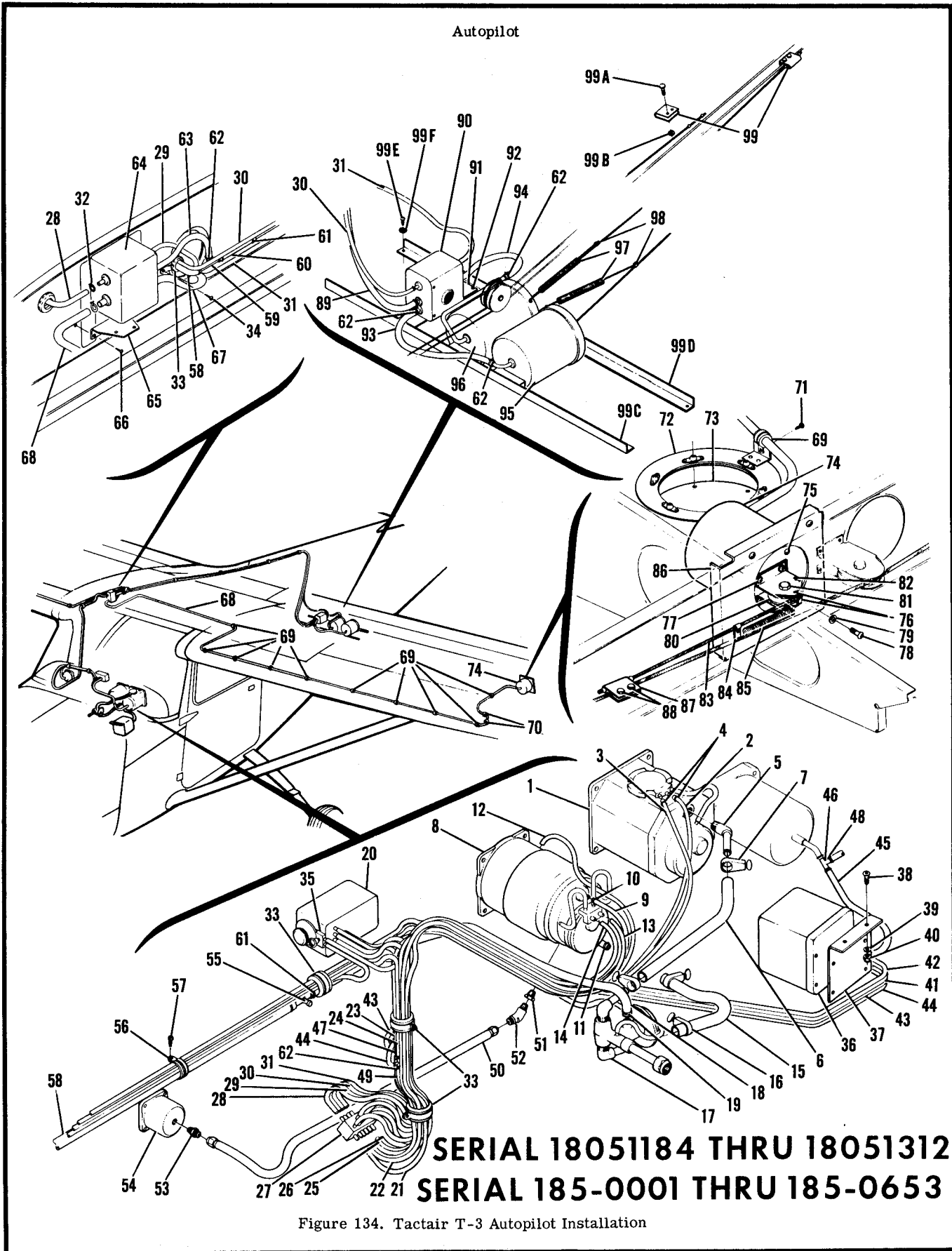


FIGURE AND INDEX NO.	PART NUMBER	DESCRIPTION	UNITS PER ASSY	USABLE ON CODE
134 -		AUTO PILOT INSTALLATION-TACTAIR T-3 -----	NP	A
- 1	0770012-7	GYRO-DIRECTIONAL -----	1	
		ATTACHING PARTS -----		
	AN520C10R16	SCREW -----	4	
		-----*		
- 2	B296-59	HOSE-GYRO TO TEE BLOCK BROWN TCTA -----	1	
- 3	B296-58	HOSE-GYRO TO TEE BLOCK PINK TCTA -----	1	
- 4	A482	CLAMP TCTA -----	2	
- 5	AN844-6D	ELBOW -----	1	
- 6	1200077-17	HOSE-DIRECTIONAL GYRO TO SHUT-OFF VALVE -----	1	
		ATTACHING PARTS -----		
- 7	AN737RM22	CLAMP -----	2	
		-----*		
- 8	0770011-24	GYRO-HORIZON -----	1	
		ATTACHING PARTS -----		
	AN520C10R16	SCREW -----	4	
		-----*		
- 9	B296-61	HOSE-GYRO TO TEE BLOCK GREEN TCTA -----	1	
-10	A482	CLAMP TCTA -----	1	
-11	AN842-6D	ELBOW -----	1	
-12	1200077-22	HOSE-HORIZONTAL GYRO TO TEE BLOCK RED -----	1	
-13	1200077-18	HOSE-HORIZONTAL GYRO TO TEE BLOCK YELLOW -----	1	
-14	1200077-23	HOSE-HORIZONTAL GYRO TO TEE BLOCK BLUE -----	1	
-15	1200077-16	HOSE-HORIZONTAL GYRO TO SHUT-OFF VALVE -----	1	
		ATTACHING PARTS -----		
-16	AN737RM22	CLAMP -----	2	
		-----*		
-17	1200077-2	VALVE-SHUT-OFF -----	1	
-18	A979	HOSE-SHUT-OFF VALVE TO TEST TEE 25 IN. LG. -----	AR	
		BULK ITEM TCTA REF 1200077-20 -----		
-19	CS3	CLAMP TCTA -----	10	
-20	0770011-19	COMMAND CONTROL ASSEMBLY -----	1	
-21	B296-50	HOSE-COMMAND CONTROL TO TEE BLOCK BLUE TCTA -----	1	
-22	B296-51	HOSE-COMMAND CONTROL TO TEE BLOCK YELLOW TCTA -----	1	
-23	A654-5	HOSE-COMMAND CONTROL TO TEE BLOCK RED TCTA -----	1	
-24	A654-6	HOSE-COMMAND CONTROL TO TEE BLOCK GREEN TCTA -----	1	
-25	B296-52	HOSE-COMMAND CONTROL TO TEE BLOCK PINK TCTA -----	1	
-26	B296-53	HOSE-COMMAND CONTROL TO TEE BLOCK BROWN TCTA -----	1	
	0770012-13	CLAMP -----	6	
-27	0770011-37	TEE BLOCK ASSEMBLY -----	1	
		ATTACHING PARTS -----		
	AN515-6R22	SCREW -----	1	
	AN960-6L	WASHER -----	1	
	NAS679A06	NUT -----	1	
		-----*		
-28	1200077-27	HOSE-TEE BLOCK TO AILERON AMPLIFIER BLUE -----	1	
-29	1200077-28	HOSE-TEE BLOCK TO AILERON AMPLIFIER YELLOW -----	1	
-30	1200077-31	HOSE-TEE BLOCK TO ELEVATOR AMPLIFIER GREEN -----	1	
-31	1200077-34	HOSE-TEE BLOCK TO ELEVATOR AMPLIFIER RED -----	1	
-32	0770012-13	CLAMP -----	3	
-33	A9167-21	HARNES BAND UC -----	3	
		ATTACHING PARTS -----		
-34	S1021Z6-8	SCREW -----	1	
		-----*		
-35	1200079-2	ALTITUDE HOLD INSTALLATION -----	NP	
-36	1200079-3	SHUT OFF VALVE-ALTITUDE HOLD -----	1	
		ALTITUDE HOLD ASSEMBLY -----		
		ATTACHING PARTS -----		
-37	1200079-10	BRACKET-MOUNTING -----	1	
-38	AN507-832R8	SCREW -----	2	
-39	AN960-8	WASHER -----	2	
-40	NAS679A08	NUT -----	2	
		-----*		
-41	B804-2	HOSE-SHUT-OFF VALVE TO ALTITUDE HOLD CLEAR TCTA -----	1	
-42	B804-3	HOSE-SHUT-OFF VALVE TO ALTITUDE HOLD ORANGE TCTA -----	1	
-43	A654-5	HOSE-ALTITUDE HOLD TO TEE RED TCTA -----	1	
-44	A654-6	HOSE-ALTITUDE HOLD TO TEE GREEN TCTA -----	1	
-45	B296-20	HOSE-ALTITUDE HOLD TO ALTIMETER CLEAR TCTA -----	1	
-46	1200079-9	TEE -----	1	
-47	1200079-8	TEE -----	1	
-48	0770012-13	CLAMP -----	9	

CONTINUED ON NEXT PAGE

FIGURE AND INDEX NO.	PART NUMBER	DESCRIPTION	UNITS PER ASSY	USABLE ON CODE
134 -49	1200079-4	HOSE-TEE TO TEE BLOCK RED -----	1	
	1200079-6	HOSE-TEE TO TEE BLOCK GREEN -----	1	
-50	S1168-2-22	HOSE ASSEMBLY-HORIZONTAL GYRO TO SUCTION GAGE ----- ATTACHING PARTS -----	1	
-51	AN912-1D	BUSHING-REDUCER -----	1	
-52	MS20822-2D	ELBOW -----	1	
-53	AN816-2D	NIPPLE -----	1	
		*-----		
-54	0311057-2	GAGE-SUCTION WHEN EXHAUSTED USE S1414N1 -----	1	
	S1414N1	GAGE-SUCTION -----	1	
		ATTACHING PARTS -----		
	AN5078G632R12	SCREW -----	4	
		*-----		
-55	0770011-30	TEE TEST -----	1	
-56	MS21919WDG12	CLAMP -----	1	
		ATTACHING PARTS -----		
-57	NAS221-5	SCREW -----	1	
	MS21044N3	NUT -----	1	
		*-----		
-58	A979	HOSE-TEST TEE TO ROOT RIB TEE 66 IN. LG. ----- BULK ITEM TCTA REF 1200077-14 -----	AR	
-59	0770011-29	TEE-FITTING -----	1	
-60	A979	HOSE-SPLICE 4 IN. LG. BULK ITEM TCTA ----- REF 1200077-30 -----	AR	
-61	CS8	CLAMP TCTA -----	6	
-62	CS6	CLAMP TCTA -----	10	
-63	A978	HOSE-TEE TO AILERON AMPLIFIER 11 IN. LG. BULK ITEM -- TCTA REF 1200077-29 -----	AR	
-64	0770012-45	AMPLIFIER-AILERON -----	1	
		ATTACHING PARTS -----		
-65	1200077-10	BRACKET-AILERON AMPLIFIER -----	1	
-66	AN515-8R8	SCREW -----	2	
	AN960-8	WASHER -----	2	
	NAS679A08	NUT -----	2	
		*-----		
-67	A978	HOSE-AILERON AMPLIFIER TO RIGHT WING SERVO 159 IN. LG. -- BULK ITEM TCTA REF 1200077-25 -----	AR	
-68	A978	HOSE-AILERON AMPLIFIER TO LEFT WING SERVO 196.5 IN. LG. - BULK ITEM TCTA REF 1200077-26 -----	AR	
		ATTACHING PARTS -----		
-69	S1592-2A	HARNESS BAND UC -----	9	
-70	49165-22	HARNESS BAND UC -----	2	
-71	S1021Z6-8	SCREW -----	11	
		*-----		
-72	S1072-1	DOUBLER ASSEMBLY -----	2	
-73	S225-6	PLATE-ACCESS -----	2	
		ATTACHING PARTS -----		
	S1021Z8-8	SCREW -----	6	
		*-----		
-74	1200077-5	SERVO ASSEMBLY-AILERON -----	2	
		ATTACHING PARTS -----		
	1200077-9	MOUNTING PLATE -----	1	
-75	AN515-8R8	SCREW -----	8	
	AN960-8	WASHER -----	8	
	NAS679A08	NUT -----	4	
		*-----		
-76	A1272	BRACKET-PULLEY TCTA -----	2	
		ATTACHING PARTS -----		
-77	AN515-8-14	SCREW -----	2	
-78	AN515-8-7	SCREW -----	2	
-79	AN960-8	WASHER -----	4	
		*-----		
-80	G37	PULLEY ATPU -----	1	
		ATTACHING PARTS -----		
-81	AN3-6A	BOLT -----	1	
	AN960-10L	WASHER -----	1	
	MS21044N3	NUT -----	1	
	A1396	BEARING TCTA -----	1	
		*-----		

CONTINUED ON NEXT PAGE

FIGURE AND INDEX NO.	PART NUMBER	DESCRIPTION	UNITS PER ASSY	USABLE ON CODE
		1 2 3 4 5 6 7		
134 -82	MS24665-134	PIN-COTTER -----	2	
-83	B1341-8	CABLE ASSEMBLY TCTA -----	1	
-84	A427	CLAMP-CABLE TCTA -----	1	
		ATTACHING PARTS -----		
	AN500A4-4	SCREW -----	1	
	AN960-4	WASHER -----	1	
	NAS679A04	NUT -----	1	
		---*---		
-85	1200077-7	SPRING-TAKE-UP -----	2	
-86	1200077-3	DOUBLER-REAR SPAR LH -----	1	
	1200077-4	DOUBLER-REAR SPAR RH -----	1	
-87	1200077-8	CLAMP-CABLE -----	2	
		ATTACHING PARTS -----		
-88	AN3-3A	BOLT -----	2	
	AN960-10	WASHER -----	2	
	MS21044N3	NUT -----	2	
		---*---		
-89	A978	HOSE-SPLICE TO ELEVATOR AMPLIFIER 100 IN. LG. -----	AR	
		BULK ITEM TCTA REF 1200077-32 -----		
-90	0770012-45	AMPLIFIER-ELEVATOR -----	1	
		ATTACHING PARTS -----		
-91	1200077-37	BRACKET-ELEVATOR AMPLIFIER -----	1	
-92	AN3-3A	BOLT -----	4	
	AN960-10	WASHER -----	4	
	MS21044N3	NUT -----	4	
		---*---		
-93	A978	HOSE-ELEVATOR AMPLIFIER TO UP SERVO 12 IN. LG. -----	AR	
		BULK ITEM TCTA REF 1200077-33 -----		
-94	A978	HOSE-ELEVATOR AMPLIFIER TO DOWN SERVO 12 IN. LG. -----	AR	
		BULK ITEM TCTA REF 1200077-35 -----		
-95	0770028-5	SERVO ASSEMBLY-ELEVATOR UP -----	1	
-96	0770028-6	SERVO ASSEMBLY-ELEVATOR DOWN -----	1	
		ATTACHING PARTS -----		
	AN3-3A	BOLT -----	4	
	AN960-10	WASHER -----	4	
	MS21044N3	NUT -----	4	
		---*---		
-97	1200077-13	SPRING-TAKE UP -----	2	
		ATTACHING PARTS -----		
-98	0770011-33	CLAMP -----	1	
	AN500A4-4	SCREW -----	1	
	AN960-4	WASHER -----	1	
	NAS679A04	NUT -----	1	
		---*---		
-99	0770012-15	CLAMP-CABLE -----	2	
		ATTACHING PARTS -----		
-99A	AN3-4A	BOLT -----	2	
-99B	MS21044N3	NUT -----	2	
		---*---		
-99C	0770028-3	ANGLE-FORWARD -----	1	
-99D	0770028-4	ANGLE-AFT -----	1	
		ATTACHING PARTS -----		
-99E	AN3-3A	BOLT -----	2	
-99F	AN960-10	WASHER -----	2	
	MS21044N3	NUT -----	2	
		---*---		
		A---SERIAL 18051184 THRU 18051312 SERIAL 185-0001 THRU 185-0653		

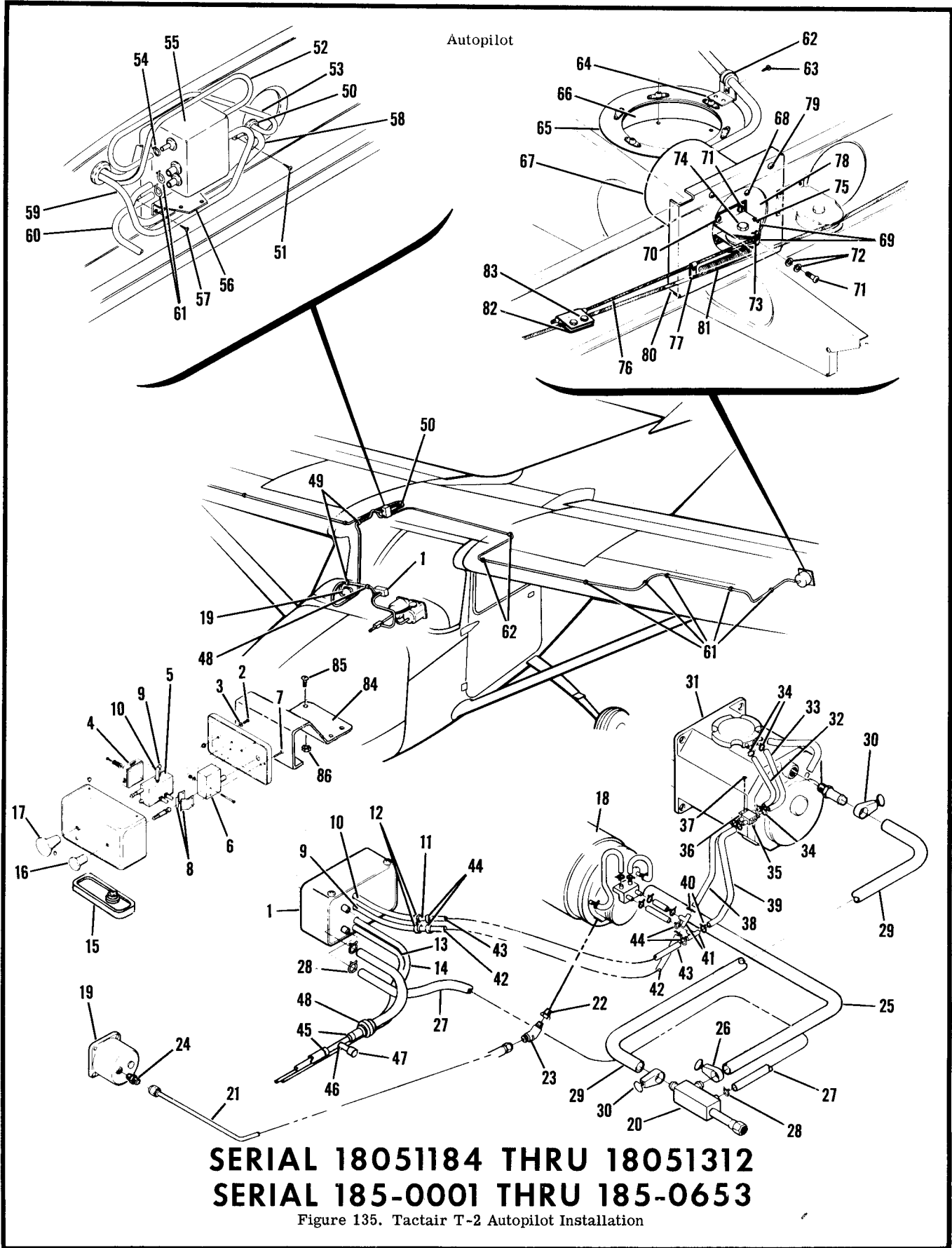


FIGURE AND INDEX NO.	PART NUMBER	DESCRIPTION	UNITS PER ASSY	USABLE ON CODE
		1 2 3 4 5 6 7		
135 -		AUTO PILOT INSTALLATION-TACTAIR T-2 -----	NP	A
- 1	0770012-5	UNIT ASSEMBLY-CONTROL -----	1	
		ATTACHING PARTS -----		
- 2	AN500C4-7	SCREW -----	3	
- 3	AN960-4L	WASHER -----	3	
		-----*		
- 4	A1106	FILTER TCTA -----	1	
	A1108	DISC-PAPER TCTA -----	1	
	A1105	GASTET TCTA -----	1	
- 5	C915	TRIM ASSEMBLY-ROLL TCTA -----	1	
		ATTACHING PARTS -----		
	AN507-440-5	SCREW -----	2	
		-----*		
- 6	C914	BODY ASSEMBLY TCTA -----	1	
		ATTACHING PARTS -----		
- 7	AN507-440-5	SCREW -----	2	
		-----*		
	AN6227B1	O RING -----	1	
- 8	A911	SPRING TCTA -----	2	
- 9	B296-7	HOSE .09 ID BLUE 6.76 IN. LG. TCTA -----	1	
-10	B296-8	HOSE .09 ID YELLOW 6.1875 IN. LG. TCTA -----	1	
-11	A1213	CONNECTOR-HOSE TCTA -----	2	
-12	A482	CLAMP TCTA -----	2	
-13	B296-17	HOSE .09 ID YELLOW 18 IN. LG. TCTA -----	1	
-14	B296-18	HOSE .09 ID BLUE 18 IN. LG. TCTA -----	1	
-15	B1610	FILTER TCTA -----	1	
-16	0713303-9	KNOB -----	1	
-17	0713303-11	KNOB -----	1	
-18	0770012-6	GYRO-HORIZONTAL -----	1	
		ATTACHING PARTS -----		
	AN520C10R16	SCREW -----	4	
		-----*		
-19	0311057-2	GAGE-SUCTION WHEN EXHAUSTED USE S1414N1 -----	1	
	S1414N1	GAGE-SUCTION -----	1	
		ATTACHING PARTS -----		
	AN507BG32R12	SCREW -----	4	
		-----*		
-20	0770012-8	TEE ASSEMBLY-RESTRICTOR -----	1	
	M74C524-12E	SET SCREW FLN -----	1	
-21	S1168-2-22	HOSE ASSEMBLY -----	1	
		ATTACHING PARTS -----		
-22	AN912-1D	BUSHING -----	1	
-23	MS20823-2D	ELBOW -----	1	
-24	AN816-2D	NIPPLE -----	1	
		-----*		
-25	1200078-7	HOSE -----	1	
-26	AN737RM22	CLAMP -----	2	
-27	A978	TUBE-RESTRICTOR TEE TO CONTROL UNIT IN. LG. -----	AR	
		BULK ITEM TCTA REF 1200078-13 -----		
		ATTACHING PARTS -----		
-28	CR6	CLAMP CRB -----	2	
		-----*		
-29	1200078-2	HOSE -----	1	
-30	AN737RM22	CLAMP -----	2	

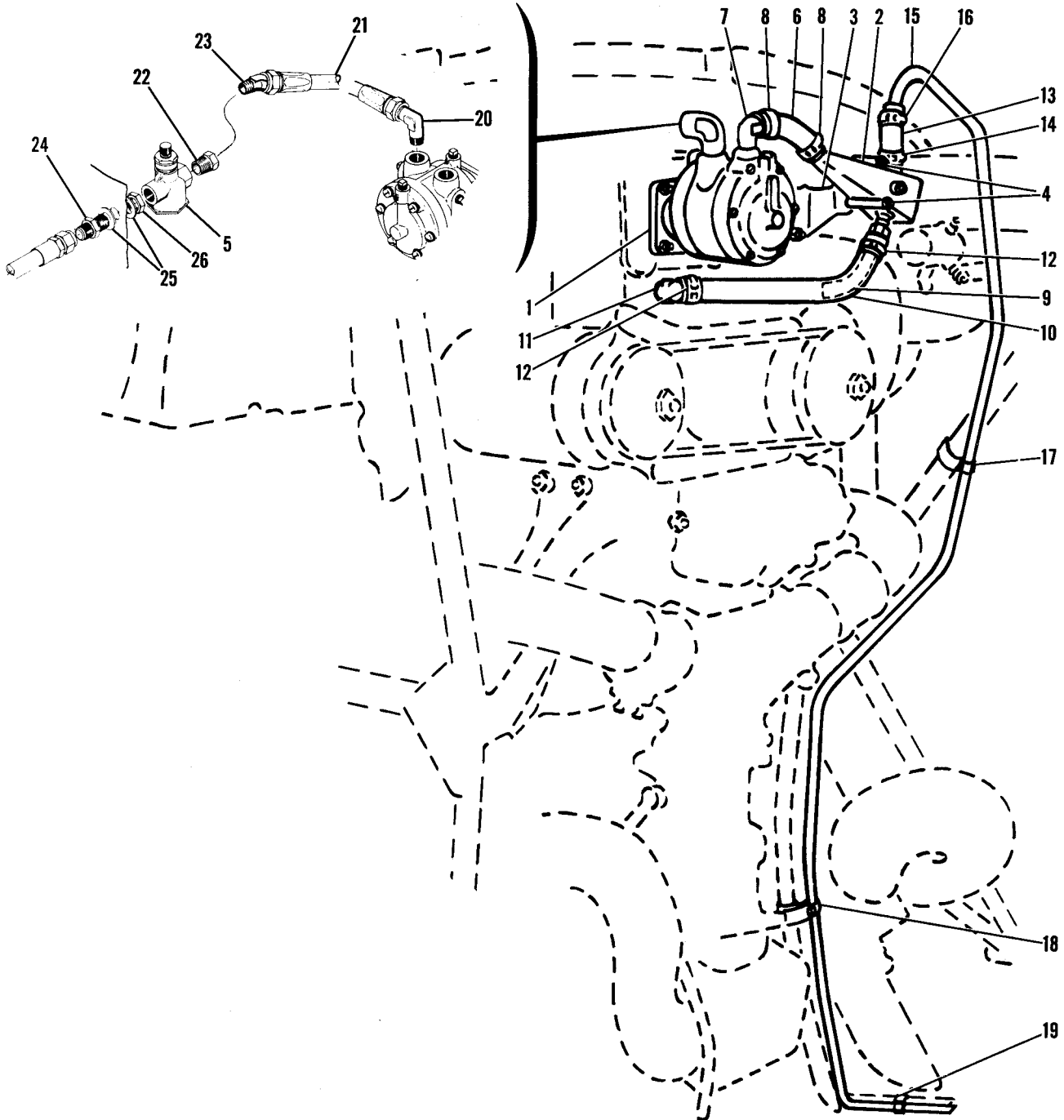
CONTINUED ON NEXT PAGE

FIGURE AND INDEX NO.	PART NUMBER	DESCRIPTION	UNITS	USABLE
			PER ASSY	ON CODE
135 -31	1200077-39	GYRO-DIRECTIONAL -----	1	
	AN520C10R16	ATTACHING PARTS -----		
		SCREW -----	8	
		-----*		
-32	B296-58	HOSE .09 ID PINK 24 IN. LG. TCTA -----	1	
-33	B296-59	HOSE .09 ID BROWN 24 IN. LG. TCTA -----	1	
		ATTACHING PARTS -----		
-34	C770012-13	CLAMP -----	4	
		-----*		
-35	0770012-9	ADJUSTER ASSEMBLY-SENSITIVITY -----	1	
		ATTACHING PARTS -----		
-36	0770012-39	CLAMP -----	1	
-37	S1022Z6-8	SCREW -----	2	
	NAS395-5-3	NUT -----	2	
		-----*		
-38	B296-5	HOSE .09 ID BLUE 4 IN. LG. TCTA -----	1	
-39	B296-4	HOSE .09 ID YELLOW 4 IN. LG. TCTA -----	1	
		ATTACHING PARTS -----		
-40	0770012-13	CLAMP -----	4	
		-----*		
-41	0770012-17	TEE -----	2	
-42	1200078-12	HOSE -----	1	
-43	1200078-11	HOSE -----	1	
		ATTACHING PARTS -----		
-44	A482	CLAMP TCTA -----	4	
-45	CS6	CLAMP CRB -----	2	
-46	0770012-43	TEE-TEST -----	1	
-47	1200077-15	CAP-TEST TEE -----	1	
-48	S1592-4A	HARNESS BAND UC -----	1	
		ATTACHING PARTS -----		
	S1021Z6-8	SCREW -----	1	
		-----*		
-49	MS21919WDG9	CLAMP -----	2	
		ATTACHING PARTS -----		
	NAS221-5	SCREW -----	1	
	MS21044N3	NUT -----	1	
		-----*		
-50	S1592-3A	HARNESS BAND UC -----	1	
		ATTACHING PARTS -----		
-51	S1021Z6-8	SCREW -----	1	
		-----*		
-52	1200078-10	HOSE-CONTROL UNIT TO AMPLIFIER BLUE -----	1	
-53	1200078-15	HOSE-CONTROL UNIT TO AMPLIFIER YELLOW -----	1	
		ATTACHING PARTS -----		
-54	0770012-13	CLAMP -----	2	
		-----*		
-55	0770012-45	AMPLIFIER-AILERON -----	1	
-56	1200077-10	BRACKET-AMPLIFIER -----	1	
		ATTACHING PARTS -----		
-57	AN515-8R8	SCREW -----	2	
	AN960-8	WASHER -----	2	
	NAS679A08	NUT -----	2	
		-----*		

CONTINUED ON NEXT PAGE

FIGURE AND INDEX NO.	PART NUMBER	DESCRIPTION	UNITS PER ASSY	USABLE ON CODE
		1 2 3 4 5 6 7		
135 -58	1200077-8	HOSE-AILERON AMPLIFIER TO TEST TEE -----	1	
-59	1200077-25	HOSE-AILERON AMPLIFIER TO RH AILERON SERVO -----	1	
-60	1200077-26	HOSE-AILERON AMPLIFIER TO LH AILERON SERVO -----	1	
-61	CS6	CLAMP CRB -----	5	
-62	S1592-2A	HARNES BAND UC -----	7	
		ATTACHING PARTS		
-63	S1021Z6-8	SCREW -----	1	
		-----*		
-64	1200077-12	CLIP -----	2	
-65	S1072-1	DOUBLER ASSEMBLY -----	1	
-66	S225-6	PLATE-INSPECTION -----	1	
		ATTACHING PARTS		
	S1022Z8-8	SCREW -----	6	
		-----*		
-67	1200077-5	SERVO ASSEMBLY-AILERON -----	2	
		ATTACHING PARTS		
-68	AN515-8R8	SCREW -----	4	
	AN960-8	WASHER -----	4	
		-----*		
-69	A1748	BRACKET-PULLEY TCTA -----	2	
		ATTACHING PARTS		
-70	AN515-8-14	SCREW -----	2	
-71	AN515-8-7	SCREW -----	2	
-72	AN960-8	WASHER -----	5	
		-----*		
-73	G37	PULLEY ATPU -----	1	
		ATTACHING PARTS		
-74	AN3-6A	BOLT -----	1	
	AN960-10L	WASHER -----	1	
	MS21044N3	NUT -----	1	
		-----*		
-75	MS24665-134	PIN-COTTER -----	2	
-76	B1341-8	CABLE ASSEMBLY TCTA -----	1	
-77	A427	CLAMP TCTA -----	1	
		ATTACHING PARTS		
	AN500A4-4	SCREW -----	1	
	AN960-8	WASHER -----	1	
	AN960-4	WASHER -----	1	
	NAS679A04	NUT -----	1	
		-----*		
-78	1200077-9	PLATE-MOUNTING -----	2	
		ATTACHING PARTS		
-79	AN515-8R8	SCREW -----	4	
	AN960-8	WASHER -----	4	
	NAS679A08	NUT -----	4	
		-----*		
-80	1200077-3	DOUBLER-REAR SPAR LH -----	1	
	1200077-4	DOUBLER-REAR SPAR RH -----	1	
-81	1200077-7	SPRING-TAKE-UP -----	1	
-82	1200077-8	CLAMP-CABLE -----	1	
		ATTACHING PARTS		
-83	AN3-3A	BOLT -----	2	
	AN960-10	WASHER -----	2	
	MS21044N3	NUT -----	2	
		-----*		
-84	0513194-1	MOUNTING BASE -----	1	
		ATTACHING PARTS		
-85	S1021Z8-8	SCREW -----	4	
-86	NAS446-4-3	NUT -----	4	
		-----*		
		A---SERIAL 18051184 THRU 18051312 SERIAL 185-0001 THRU 185-0653		

Auto Pilot (Cont)



SERIAL 18051184 THRU 18051312

Figure 136. Vacuum System for Tactair Auto Pilot



FIGURE AND INDEX NO.	PART NUMBER	DESCRIPTION							UNITS PER ASSY	USABLE ON CODE
		1	2	3	4	5	6	7		
136 -		SYSTEM INSTALLATION-TACTAIR VACUUM -----							NP	A
- 1	0750104-1	PUMP-VACUUM -----							1	
	0750104-2	PUMP-VACUUM ALT -----							1	
	0750104-3	PUMP-VACUUM ALT -----							1	
	AN4050-1	BUSHING USED WITH 0750104-1 PUMP ONLY -----							1	
		ATTACHING PARTS								
	AN520-10R14	SCRFW -----							1	
	AN935-10L	LOCKWASHER -----							1	
		---*---								
- 2	0750103-1	SEPARATOR-OIL -----							1	
		ATTACHING PARTS								
- 3	0750100-11	BRACKET -----							1	
- 4	AN3-15A	BOLT -----							2	
	AN960D10L	WASHER -----							2	
	MS21044N3	NUT -----							2	
		---*---								
- 5	0813619-2	VALVE-SUCTION RELIEF -----							1	
- 6	S51-8	HOSE-PUMP TO OIL SEPARATOR 3.25 IN LG BULK ITEM -----							1	
		REF S-51-8-18								
		ATTACHING PARTS								
- 7	AN842-8	ELBOW -----							1	
- 8	NAS397-14	CLAMP TIN A3122-14-1 -----							2	
		---*---								
- 9	0750100-12	TUBE-INSERT -----							1	
-10	S51-8	HOSE-OIL SEPARATOR TO ENGINE 9.00 IN LG BULK ITEM ---							1	
		REF S-51-8-36								
		ATTACHING PARTS								
-11	AN844-8	ELBOW -----							1	
-12	NAS397-14	CLAMP TIN A3122-14-1 -----							2	
		---*---								
-13	S51-8	HOSE-VENT 2.00 IN LG BULK ITEM REF S-51-8-8 -----							1	
		ATTACHING PARTS								
-14	NAS397-14	CLAMP TIN A3122-14-1 -----							1	
		---*---								
-15	0500106-251	LINE-VENT -----							1	
		ATTACHING PARTS								
-16	NAS397-14	CLAMP TIN A3122-14-1 -----							1	
-17	AN742D8	CLAMP -----							1	
	AN742D14	CLAMP -----							1	
	AN3-4A	BOLT -----							1	
	MS21044N3	NUT -----							1	
-18	AN742D8	CLAMP -----							1	
	S1485D12U	CLAMP TIN -----							1	
	S1021Z10-8	SCREW -----							1	
-19	S1486DG12U	CLAMP TIN -----							1	
	MS21919DG8	CLAMP -----							1	
	S1021Z10-10	SCREW -----							1	
		---*---								
-20	MS20822-6-6B	ELBOW -----							1	
-21	S1168-6-6 1/2	HOSE ASSEMBLY -----							1	
		ATTACHING PARTS								
-22	AN912-2	BUSHING-REDUCER -----							1	
-23	MS20823-6B	ELBOW -----							1	
		---*---								
-24	S1988-1	FITTING -----							1	
-25	AN960D916	WASHER -----							2	
-26	AN924-6D	NUT -----							1	
A---SERIAL 18051184 THRU 18051312										

This page intentionally left blank.



NUMERICAL INDEX

PART NUMBER	FIGURE AND INDEX NO.	PART NUMBER	FIGURE AND INDEX NO.	PART NUMBER	FIGURE AND INDEX NO.
AN123883	113A-36	AN23-19A	61A-34	AN3-15A	87 -10
AN155816S	97 -74	AN23-19A	63 -18	AN3-15A	116 - 4
AN155832L	95 -54	AN23-19A	63 -70	AN3-15A	117 - 4
AN155832L	95 -54A	AN23-19A	63B-18	AN3-15A	117A- 4
AN155832L	95 -62	AN23-20A	63C-90	AN3-15A	136 - 4
AN155832S	87A- 2	AN23-9	97 - 3	AN3-16A	87 -21
AN155832S	94A-36	AN23-9	98 -56	AN3-16A	92 -17
AN155832S	94A-40	AN23-9	99A- 9	AN3-17A	63A-21C
AN155832S	95 - 9	AN24-12	99 -12	AN3-17A	63C- 2
AN155832S	96 -26	AN24-13	60 -24	AN3-20A	30 - 6
AN155832S	98 - 3	AN24-13	60 -25	AN3-20A	32 - 1
AN155832S	98 -41	AN24-13	96 -32	AN3-20A	32 - 6
AN155832S	99 - 3	AN24-13A	61 -26	AN3-20A	32A- 1
AN155832S	129 -46	AN24-13A	61 -27	AN3-20A	32A- 6
AN155832S	99A- 2	AN24-13A	61A-25	AN3-20A	126 -45
AN15588S	46 -43	AN24-13A	61A-26	AN3-21A	30 - 2
AN15588S	46A-40	AN24-16	60 -26	AN3-21A	95 -43
AN15588S	46B-63	AN24-16A	61 -28	AN3-21A	95 -65
AN15588S	100 -24	AN24-16A	61A-27	AN3-3A	3 -48
AN161-22LL	87A- 3	AN24-28A	62 - 4	AN3-3A	13 - 6C
AN161-22LL	129 -43	AN24-29A	59A- 2	AN3-3A	38 - 6
AN161-22RS	98 - 4	AN2552-3A	125 - 1	AN3-3A	49 - 4
AN161-22RS	98 -41	AN2552-3A	125A- 1	AN3-3A	50 - 4
AN161-22RS	99A- 2	AN3-10A	15 -14	AN3-3A	57 -28
AN161-32LL	95 -55	AN3-10A	63A-13	AN3-3A	57A-16
AN161-32LL	95 -55A	AN3-10A	63A-21	AN3-3A	58 -23
AN161-8LS	46 -39	AN3-10A	70A- 9	AN3-3A	66 -22
AN161-8RS	46B-64	AN3-10A	74 -74	AN3-3A	70B- 2
AN165-22RS	96 -25	AN3-10A	74 -84	AN3-3A	70B-10
AN165-8LS	46A-41	AN3-10A	91 -26	AN3-3A	75 -14
AN165-8LS	46B-62	AN3-10A	91 -40	AN3-3A	75 -42
AN200K S4	94A- 8	AN3-10A	92 -23	AN3-3A	90 -18A
AN200K S4	98 -68	AN3-10A	92 -37	AN3-3A	92 -41
AN20083	81D-11	AN3-10A	94 -13	AN3-3A	105 -29
AN21-10	94A-34	AN3-10A	94A-17	AN3-3A	120B-78
AN21-10	94A-39	AN3-10A	95A-17	AN3-3A	120C-80
AN21-13	95 - 7	AN3-10A	97 -31	AN3-3A	121 -10
AN227-6	66 - 8	AN3-10A	98 -46	AN3-3A	121 -57
AN227-6B	35A-54	AN3-10A	100 -28	AN3-3A	122 -11
AN227-7	66 - 8	AN3-10A	131 -17	AN3-3A	122 -55
AN227-7B	35A-54	AN3-10A	132 -17	AN3-3A	134 -88
AN227-8B	35A-54	AN3-11A	15 - 9	AN3-3A	134 -92
AN227-9B	35A-54	AN3-11A	59 -20	AN3-3A	134 -96
AN23-10	96 -10	AN3-11A	59A-12	AN3-3A	134 -99E
AN23-10	96 -13	AN3-11A	62 -58	AN3-3A	135 -83
AN23-10	98 - 5	AN3-11A	64 - 1	AN3-4A	15 -33
AN23-10	98 -12	AN3-11A	64A-10	AN3-4A	22 - 9
AN23-10	99 - 5	AN3-11A	75 -25	AN3-4A	22 -17
AN23-11	98 - 8	AN3-11A	87 -29	AN3-4A	23 -18
AN23-11	98 -15	AN3-11A	87 -34	AN3-4A	30 -72
AN23-11	98 -42	AN3-11A	91 - 9	AN3-4A	30 -86
AN23-11	98 -57	AN3-11A	91 -37	AN3-4A	38 -23
AN23-11	99 - 8	AN3-11A	92 - 7	AN3-4A	60 -57
AN23-11	99 -15	AN3-11A	92 -34	AN3-4A	61 -59
AN23-11	99A- 3	AN3-11A	94 - 7	AN3-4A	61A-59
AN23-11	99A-10	AN3-11A	94 -20	AN3-4A	63 -87
AN23-11	127 -49	AN3-11A	94A-16	AN3-4A	63C-99B
AN23-11	128 -45	AN3-11A	94A-28	AN3-4A	65 -19
AN23-12	97 - 8	AN3-11A	94A-44	AN3-4A	66 - 2
AN23-12	97 -11	AN3-12A	74 -29	AN3-4A	70 - 7B
AN23-15A	60 -20	AN3-12A	74 -32	AN3-4A	70A-21
AN23-15A	61 -22	AN3-12A	76 -39	AN3-4A	70B- 2
AN23-15A	61A-21	AN3-12A	94A-22	AN3-4A	70B- 6
AN23-15A	63 -18	AN3-12A	100 -19	AN3-4A	76 -33
AN23-16	60 - 2	AN3-13A	63A-21D	AN3-4A	76 -38
AN23-16	97 -13	AN3-13A	74 -64	AN3-4A	76 -74
AN23-16	97 -17	AN3-13A	87 - 5	AN3-4A	77 -69
AN23-16A	63 - 2	AN3-13A	90 -32	AN3-4A	82 - 4
AN23-16A	63A- 3	AN3-13A	94A-20	AN3-4A	82 - 9
AN23-19A	60 -20	AN3-14A	91 -20	AN3-4A	83 - 8
AN23-19A	60 -33	AN3-14A	107 - 6	AN3-4A	83 -14
AN23-19A	61 - 2	AN3-14A	129 -29	AN3-4A	91 -16
AN23-19A	61 -35	AN3-15A	46A-22	AN3-4A	92 -13
AN23-19A	61A- 2	AN3-15A	87 - 5	AN3-4A	95A- 9



PART NUMBER	FIGURE AND INDEX NO.
AN3-4A	96 -39
AN3-4A	98 -70
AN3-4A	99A-23
AN3-4A	113 -13
AN3-4A	117B-16
AN3-4A	117C-19
AN3-4A	126 -13
AN3-4A	134 -95A
AN3-4A	136 -17
AN3-5A	20 -17
AN3-5A	30 -60
AN3-5A	30 -68
AN3-5A	38 -28
AN3-5A	59 -25
AN3-5A	59 -29
AN3-5A	60 -57
AN3-5A	61 -59
AN3-5A	63 -87
AN3-5A	63C-99B
AN3-5A	70B- 6
AN3-5A	74 -15
AN3-5A	74 -29
AN3-5A	74 -92
AN3-5A	75 -23
AN3-5A	77 -66
AN3-5A	89 - 8B
AN3-5A	90 -18
AN3-5A	90 -37
AN3-5A	114 -10
AN3-5A	120A-39
AN3-5A	120B-35
AN3-5A	120C-36
AN3-6A	15 - 8
AN3-6A	70A- 5
AN3-6A	70B- 6
AN3-6A	74 -93A
AN3-6A	75 -31
AN3-6A	76 -39
AN3-6A	76 -40A
AN3-6A	76 -86
AN3-6A	90 -18
AN3-6A	90 -22
AN3-6A	90 -24
AN3-6A	90 -45
AN3-6A	96 -47
AN3-6A	97 -21
AN3-6A	97 -26
AN3-6A	97 -36
AN3-6A	100 -34
AN3-6A	134 -81
AN3-6A	135 -74
AN3-6A	97 -41
AN3-60A	84 -48
AN3-60A	85 -35
AN3-62A	131 -68
AN3-62A	132 -68
AN3-67A	84 -45
AN3-67A	85 -32
AN3-7A	14 -10
AN3-7A	46 -36
AN3-7A	46A-33
AN3-7A	46B-47
AN3-7A	74 -10
AN3-7A	74 -13
AN3-7A	74 -27B
AN3-7A	75 -21B
AN3-7A	76 -40
AN3-7A	90 -18
AN3-7A	95 -56
AN3-7A	127 -38
AN3-7A	128 -36
AN310-3	96 -11
AN310-3	96 -14
AN310-3	97 - 4

PART NUMBER	FIGURE AND INDEX NO.
AN310-3	97 - 9
AN310-3	97 -11
AN310-3	97 -14
AN310-3	97 -18
AN310-3	98 - 6
AN310-3	98 - 9
AN310-3	98 -13
AN310-3	98 -16
AN310-3	98 -42
AN310-3	99 - 6
AN310-3	99 - 9
AN310-3	99 -16
AN310-3	99A- 3
AN310-3	127 -49
AN310-3	128 -45
AN310-4	87 -18
AN310-4	96 -33
AN310-4	99 -13
AN310-8	47 -25
AN310-8	48 -25
AN310-8	48A-25
AN310-8	48B-23
AN315-3R	38 -23
AN315-3R	74 -16A
AN315-3R	74 -71
AN315-3R	74 -79
AN315-3R	74 -89
AN315-3R	76 -39
AN315-3R	76 -93
AN315-3R	90 -40
AN315-4R	76 -92
AN315-4R	117D-17C
AN316-4	87 - 3
AN316-4	87A- 1
AN316-4	129 -47
AN316-4	87 -12
AN316-4R	14 -13
AN316-4R	15 -13
AN316-4R	93 - 3
AN316C4R	123B-18
AN316C5R	63B-25
AN320-1	94A-34
AN320-1	94A-39
AN320-1	95 - 7
AN320-3	98 -58
AN320-3	99A-11
AN320-5	74 -82
AN320-8	47 - 5
AN320-8	48 - 4
AN320-8	48A- 4
AN320-8	48B- 5
AN323-6D	117B- 9
AN340-10	123B-16
AN340-3	123A-12
AN340-4	94B-13
AN340-416	98 -72
AN340-416	99A-25
AN340-416	123B-18
AN340-6	68A-40
AN340-8	67 -50
AN340-8	81 -36
AN340-8	81A-11
AN340-8	81B-36
AN340-8	81D-11
AN340-8	94B-21
AN340B6	67 -20
AN340B6	67 -70
AN340B6	67 -71
AN340B6	68 -22
AN340B6	68A-18A
AN340B6	68A-39
AN340B6	68A-42
AN340B6	68A-48
AN340B6	68B-18A

PART NUMBER	FIGURE AND INDEX NO.
AN340B6	68B-40
AN340B6	68B-41
AN340B6	68B-42
AN340B6	68B-49
AN340B6	68C-20
AN340B6	68C-43
AN340B6	68C-44
AN340B6	68C-45
AN340B6	95B- 1
AN340B6	95B-31
AN340B6	101 - 2
AN340B8	67 -54
AN340B8	68 -53
AN340B8	68A-11
AN340B8	68A-21
AN340B8	68B-12
AN340B8	68B-21
AN340B8	68C-15
AN345-10	59A-38
AN345-10	76 -42C
AN350-1032	133 -10
AN356-1032	74 -16A
AN356-1032	74 -72
AN356-1032	74 -80
AN356-420	98 -73
AN356-420	99A-26
AN4-10A	35 -11
AN4-10A	46A-38
AN4-10A	94A- 2
AN4-10A	95 -31
AN4-10A	95 -51
AN4-10A	96 - 2
AN4-10A	96 - 5
AN4-10A	96 -16
AN4-10A	96 -36
AN4-10A	98 -23
AN4-10A	98 -26
AN4-10A	98 -29
AN4-10A	99 -23
AN4-10A	99 -26
AN4-10A	99 -29
AN4-10A	131 -38
AN4-10A	132 -38
AN4-11A	19 - 2
AN4-11A	20 - 1
AN4-11A	21 - 1
AN4-11A	21 -31
AN4-11A	40 - 5
AN4-11A	40A- 5
AN4-11A	41 - 5
AN4-11A	64 - 2
AN4-11A	64 -17
AN4-11A	64A-11
AN4-11A	64A-15
AN4-11A	75 -35
AN4-12	46B-37
AN4-12	46B-43
AN4-12A	20 - 4
AN4-12A	38 -11
AN4-12A	64 -17
AN4-12A	96 -27
AN4-12A	126 - 8
AN4-12A	127 - 4
AN4-12A	128 - 4
AN4-13A	43 - 3
AN4-13A	59 - 5
AN4-13A	65B- 3
AN4-13A	107 - 2
AN4-13A	108 - 3
AN4-13A	110 - 4
AN4-13A	126 -43
AN4-14A	38 -15
AN4-14A	62 -40
AN4-14A	63 -37

PART NUMBER	FIGURE AND INDEX NO.	PART NUMBER	FIGURE AND INDEX NO.	PART NUMBER	FIGURE AND INDEX NO.
AN4-14A	63B-33	AN4-7A	21 -32	AN500A4-4	134 -84
AN4-14A	95 -26	AN4-7A	47 -30	AN500A4-4	134 -98
AN4-14A	96 -21	AN4-7A	48A-34	AN500A4-4	135 -77
AN4-14A	98 -19	AN4-7A	48B-35	AN500A8-4	63A- 2
AN4-14A	99 -19	AN4-7A	65A- 9	AN500A8-4	100 -41
AN4-15A	19 - 1	AN4-7A	70 - 5B	AN500A8-5	40A-38
AN4-15A	100 -37	AN4-7A	131 -32	AN500A8-7	13 -24
AN4-16A	95 -40	AN4-7A	132 -32	AN500A8-8	100 -48
AN4-17A	65B- 7	AN4H16A	42 -31	AN500C4-7	135 - 2
AN4-20A	100 -37	AN4H16A	42B-30	AN502-10-14	81 -43
AN4-21A	95 -21	AN4022-1	77 -39	AN502-10-14	81B-43
AN4-21A	95 -34	AN4022-1	118 - 1	AN502-10-4	98 -48
AN4-21A	97 -47	AN4022-1	118 - 2	AN502-10-6	43 -18
AN4-26A	64 - 7	AN4022-1	118 - 4	AN503-8-10	79 -23
AN4-26A	64A- 2	AN4022-1	118 - 6	AN503-8-10	81 -33
AN4-3A	103 -46	AN4023-1	118A-15	AN503-8-10	81B-33
AN4-3A	104 -31	AN4050-1	136 - 1	AN503-8-12	81A- 8
AN4-3A	114 -25	AN4076-1	76 -25	AN503-8-12	81D- 8
AN4-30A	94A-11	AN4078-1	113 -11	AN503-8-16	81 -35
AN4-31A	94 - 2	AN4078-1	114 - 8	AN503-8-16	81A-10
AN4-31A	94A- 1	AN415-2	36 - 8	AN503-8-16	81B-35
AN4-33A	95 -16	AN42B4A	46A-28	AN503-8-16	81D-10
AN4-4A	70A-18	AN43B10A	46 -46	AN503-8-6	40A-29
AN4-4A	76 -76	AN44-10A	131 -19A	AN503-8-8	81A- 5A
AN4-4A	120A- 2	AN44-4A	131 -14	AN503-8-8	81D- 5A
AN4-4A	120B-72	AN44-4A	131 -18	AN505-8R5	44 -50
AN4-4A	120C-74	AN44-4A	131 -27	AN507-1032-10	58 -10
AN4-4A	121 - 8	AN44-4A	132 -14	AN507-1032-16	57 -17
AN4-4A	121 -30	AN44-4A	132 -18	AN507-1032-6R	111 - 2
AN4-4A	122 - 9	AN44-4A	132 -27	AN507-1032R10	57 -36
AN4-4A	122 -31	AN486-4	87 -11	AN507-1032R10	57A-11
AN4-40A	42 -19	AN5-11A	131 -13	AN507-1032R12	46B-41
AN4-40A	42B-18	AN5-11A	131 -23	AN507-1032R12	49 - 2
AN4-42A	14 - 2	AN5-11A	131 -37	AN507-1032R12	50 - 2
AN4-45A	44 -13	AN5-11A	132 -13	AN507-1032R12	87 -27
AN4-5	87 -16	AN5-11A	132 -23	AN507-1032R12	88A-20C
AN4-5A	61 -55	AN5-11A	132 -37	AN507-1032R12	126 -61
AN4-5A	61A-55	AN5-11A	97 -41	AN507-1032R14	70 -15
AN4-5A	63 -83	AN5-15A	30 -54	AN507-1032R14	70 -16
AN4-5A	63C-97	AN5-15A	118 -15	AN507-1032R14	120A-43
AN4-5A	65 -35	AN5-15A	127 -11	AN507-1032R14	120B-39
AN4-5A	65A-14	AN5-15A	128 -10	AN507-1032R14	120C-40
AN4-5A	107 -25	AN5-21A	45 -12	AN507-1032R6	126 -63
AN4-5A	108 -27	AN5-21A	46 -12	AN507-1032R8	117A-36
AN4-5A	113 -35	AN5-21A	46A-12	AN507-1032R8	117B- 6
AN4-5A	115 -13	AN5-21A	46B-12	AN507-1032R8	126 -67
AN4-5A	119 - 2	AN5-22A	45 -17	AN507-1032R8	127 -60
AN4-5A	120 - 2	AN5-25A	41 -21	AN507-428R7	13 -37
AN4-6A	46 -21	AN5-27	48B-44	AN507-428R7	13 -47
AN4-6A	46 -33	AN5-27A	45 -16	AN507-440-5	135 - 5
AN4-6A	46A-51	AN5-31A	46 -16	AN507-440-5	135 - 7
AN4-6A	59 -33	AN5-31A	46A-16	AN507-632R10	131 - 4
AN4-6A	60 -53	AN5-32A	127 - 7	AN507-632R10	132 - 4
AN4-6A	64 - 3	AN5-32A	128 - 7	AN507-632R12	3 -36
AN4-6A	64 -18	AN5-35A	42A- 4	AN507-632R12	3A-34
AN4-6A	64A-12	AN5-36	47 -46	AN507-632R12	121 - 2
AN4-6A	64A-16	AN5-36	48B-44	AN507-632R12	122 - 3
AN4-6A	65 -34	AN5-36	46A-17	AN507-632R14	3 -36
AN4-6A	65A- 9	AN5-36	46B-17	AN507-632R14	3 -47
AN4-6A	65A-16	AN5-52A	123B- 2	AN507-632R5	112 - 5
AN4-6A	65B-18	AN5-6A	30 -94	AN507-632R6	51A- 6
AN4-6A	66 -18	AN5-7A	9 -12	AN507-632R8	3 -31B
AN4-6A	74 -62	AN5-7A	10 -13	AN507-632R8	3 -46
AN4-6A	75 -45	AN5-7A	10A-14	AN507-632R8	3A-24
AN4-6A	96 -42	AN5-7A	30 -55	AN507-632R8	68B-37
AN4-6A	121 - 5	AN5-7A	30 -96	AN507-632R8	68C-39
AN4-6A	121 - 5	AN5-7A	30 -99B	AN507-632R8	131 - 5
AN4-6A	122 - 6	AN5H12	41 -40	AN507-632R8	132 - 5
AN4-6A	122 - 6	AN5H5A	40A-46	AN507-640R4	101 -24
AN4-6A	127 -45	AN500-8-8	81 - 3	AN507-640R4	102 -21
AN4-6A	128 -42	AN500-8-8	81B- 3	AN507-832-6	3 -15
AN4-60A	15 - 2	AN500A10-10	80 -44	AN507-832-6R	111 - 2
AN4-62A	97 -54	AN500A10-8	81A- 2	AN507-832R12	67 -50
AN4-62A	97 -69	AN500A10-8	81D- 2	AN507-832R12	68 -49

PART NUMBER	FIGURE AND INDEX NO.
AN507-832R14	60 - 6
AN507-832R14	61 - 7
AN507-832R14	61A- 7
AN507-832R14	63 - 6
AN507-832R6	3A-41
AN507-832R6	16 -14
AN507-832R6	16 -14
AN507-832R8	3 -31A
AN507-832R8	19 -51
AN507-832R8	68D-13
AN507-832R8	68E- 3
AN507-832R8	134 -38
AN507BG32R12	135 -19
AN507BG632R12	134 -54
AN507B1032R16	117A-34
AN507B632R12	67 -14
AN507B632R12	67 -16
AN507B632R12	67 -19
AN507B632R12	67 -20
AN507B632R12	67 -24
AN507B632R12	67 -25
AN507B632R12	68 -16
AN507B632R12	68 -18
AN507B632R12	68 -21
AN507B632R12	68 -22
AN507B632R12	68 -26
AN507B632R12	68A-39
AN507B632R12	68A-42
AN507B632R12	68A-48
AN507B632R12	68B-38
AN507B632R12	68B-40
AN507B632R12	68B-41
AN507B632R12	68B-42
AN507B632R12	68B-49
AN507B632R12	68C-40
AN507B632R12	68C-43
AN507B632R12	68C-44
AN507B632R12	68C-45
AN507B632R12	116 - 7
AN507B632R12	117 - 7
AN507B632R12	117A- 7
AN507B632R6	68A-48
AN507B632R6	68B-49
AN507B832R12	67 -58
AN507B832R12	68 -57
AN507B832R14	70 -38
AN509-10R14	125A- 2
AN509-10R14	125 - 3
AN509-10R29	21 -15
AN509-10R4	13 - 5
AN509-10R6	13 -36
AN509-10R6	13 -46
AN509-416R12	19 -40
AN509-416R13	19 -41
AN509-8R6	102A- 5
AN510-10R16	125 - 4
AN510-10R7	47 - 7B
AN510-10R7	48B- 7B
AN510-1032R14	125 - 2
AN510B4R8	70 -40
AN515-10R10	110A-23
AN515-10R5	105 -56
AN515-10R6	95A-23
AN515-10R6	121 -32
AN515-10R6	122 -32
AN515-10R8	93 -18
AN515-2R10	94A-51
AN515-3R6	123A-10
AN515-4R10	94B-13
AN515-4R10	104 -54
AN515-4R10	105 -64
AN515-4R4	74 -61
AN515-4R4	75 -44
AN515-6-8	44 -23

PART NUMBER	FIGURE AND INDEX NO.
AN515-6R10	123 -30
AN515-6R22	134 -27
AN515-6R36	55 -19
AN515-6R36	56 -18
AN515-6R4	69 -15
AN515-6R4	69 -22
AN515-6R4	69 -32
AN515-6R5	47 -42
AN515-6R5	48B-40
AN515-6R5	49 -37
AN515-6R5	50 -39
AN515-6R5	120A-11
AN515-6R5	120B-53
AN515-6R5	120C-55
AN515-6R5	131 -52
AN515-6R5	132 -52
AN515-6R5	46A-47
AN515-6R5	46B-54
AN515-6R6	67 -43
AN515-6R6	68 -42
AN515-6R6	68B-50
AN515-6R6	68C-46
AN515-6R6	69 -13
AN515-6R6	69 -29
AN515-6R6	120B-70
AN515-6R6	120C-72
AN515-6R6	124 - 1
AN515-6R8	4 -43
AN515-6R8	14 -33
AN515-6R8	20 -49
AN515-6R8	21 -37
AN515-6R8	24 -81
AN515-6R8	67 -76
AN515-6R8	68 -76
AN515-6R8	68 -78
AN515-6R8	68A-30
AN515-6R8	68B-26
AN515-6R8	68C-28
AN515-6R8	69 - 6
AN515-6R8	76 -83
AN515-6R8	108 -31
AN515-6R8	123 -52
AN515-6R8	123A-15
AN515-6R8	124 -13
AN515-6R8	129 -32
AN515-6R8	134 -77
AN515-6R8	135 -70
AN515-6R8	134 -78
AN515-6R8	135 -71
AN515-6R8	105 -51A
AN515-6R8	41 -43
AN515-6R8	65 -11
AN515-6R8	65 -25
AN515-6R8	65A- 6
AN515-6R8	88A-35
AN515-6R8	100A- 6
AN515-6R8	100A-16
AN515-6R8	121 -52
AN515-6R8	122 -50
AN515-6R8	124A-23
AN515-6R8	124A-21
AN515-6R8	124A-27
AN515-6R8	66 -10
AN515-6R8	65 - 8
AN515-6R8	65A- 5
AN515-6R8	90 -15A
AN515-6R8	3 -22
AN515-6R8	40 -39
AN515-6R8	40A-44
AN515-6R8	41 -47
AN515-6R8	89 -28
AN515-6R8	52 -21
AN515-6R8	63C-85
AN515-6R8	94B-20

PART NUMBER	FIGURE AND INDEX NO.
AN515-8R6	101 -36
AN515-8R6	102 -32
AN515-8R6	102A- 2
AN515-8R6	121 -42
AN515-8R6	122 -41
AN515-8R6	124 -12
AN515-8R6	124A-16
AN515-8R7	3 -24
AN515-8R7	68A-21
AN515-8R7	68B-21
AN515-8R8	3A-35
AN515-8R8	5 -45
AN515-8R8	5 -47
AN515-8R8	6 -45
AN515-8R8	6 -47
AN515-8R8	13 -33
AN515-8R8	14 -33
AN515-8R8	16 -18
AN515-8R8	19 -49
AN515-8R8	20 -49
AN515-8R8	21 -37
AN515-8R8	24 -73
AN515-8R8	27 - 6B
AN515-8R8	52 -24
AN515-8R8	57 -35
AN515-8R8	57A-21
AN515-8R8	58 -28
AN515-8R8	65 -29
AN515-8R8	65B- 2
AN515-8R8	66 - 6
AN515-8R8	76 -62
AN515-8R8	88 -37
AN515-8R8	88A-19
AN515-8R8	94B-19
AN515-8R8	95A-10
AN515-8R8	95B- 3
AN515-8R8	95B-33
AN515-8R8	106 -19
AN515-8R8	106 -29
AN515-8R8	120 -13
AN515-8R8	120B-63
AN515-8R8	120C-65
AN515-8R8	124A- 1
AN515-8R8	125B- 4
AN515-8R8	129 -11
AN515-8R8	129 -22
AN515-8R8	131 -72B
AN515-8R8	134 -66
AN515-8R8	134 -75
AN515-8R8	135 -57
AN515-8R8	135 -68
AN515-8R8	135 -79
AN515-8R9	131 -35
AN515-8R9	132 -35
AN515-832R7	13 -23
AN515B10R14	67 -79
AN515B10R14	117A-34
AN515B10R16	67 -80
AN515B1014	116 -37
AN515B6-5	77 -17
AN515B6R	68 -72
AN515B6R	68 -73
AN515B6R	68 -79
AN515B6R	68 -80
AN515B6R	119 -12
AN515B6R12	67 -70
AN515B6R12	67 -71
AN515B6R12	67 -72
AN515B6R12	67 -73
AN515B6R12	67 -74
AN515B6R12	68 -70
AN515B6R12	68 -71
AN515B6R12	68 -74
AN515B6R12	68A-31

PART NUMBER	FIGURE AND INDEX NO.
AN51586R12	68A-34
AN51586R12	68A-38
AN51586R12	68B-34
AN51586R12	68B-39
AN51586R12	68C-36
AN51586R12	68C-41
AN51586R12	101 - 1
AN51586R12	101 - 2
AN51586R12	101 - 3
AN51586R12	102 - 1
AN51586R12	102 - 2
AN51586R12	102 - 3
AN51586R16	68A-68
AN51586R16	68B-32
AN51586R16	68C-34
AN51586R16	68C-42
AN51586R16	95B- 1
AN51586R16	95B-31
AN51586R6	67 -62
AN51586R6	68 -61
AN51586R8	68A-18A
AN51586R8	68B-18A
AN51586R8	68C-20
AN5158632R12	70 -21
AN5158632R12	95B-28
AN5156R8	67 -78
AN516-8R14	65 -22
AN520-10-6	48 -38
AN520-10-7	35B-18
AN520-10-8	92 -40
AN520-10-8	95A- 4A
AN520-10R10	13 -29
AN520-10R10	52 - 3
AN520-10R12	87A-12
AN520-10R12	117D-16
AN520-10R12	126 -58
AN520-10R14	31 - 6
AN520-10R14	136 - 1
AN520-10R16	65 - 1
AN520-10R16	65A- 2
AN520-10R16	133 - 9
AN520-10R22	65 - 1
AN520-10R22	115 -10
AN520-10R28	20 -32
AN520-10R5	104 -64
AN520-10R5	105 -73
AN520-10R5	121 -43
AN520-10R5	122 -42
AN520-10R6	104 -57
AN520-10R6	104 -68
AN520-10R6	105 -66
AN520-10R6	105 -77
AN520-10R6	126 -69
AN520-10R6	126 -71
AN520-10R7	3A-36
AN520-10R7	24 -21
AN520-10R7	25 -14
AN520-10R7	30 -39
AN520-10R7	32 -28
AN520-10R7	32A-39
AN520-10R7	65 -16
AN520-10R7	70 -19C
AN520-10R7	120 -21
AN520-10R7	120A-25
AN520-10R72	128 -53
AN520-10R8	6A-35
AN520-10R8	6A-36
AN520-10R8	32 -17
AN520-10R8	63 -41
AN520-10R8	63C-31
AN520-10R8	63C-63
AN520-10R8	70 -19E
AN520-10R8	74 -28
AN520-10R8	87A- 9

PART NUMBER	FIGURE AND INDEX NO.
AN520-10R8	89 -14C
AN520-10R8	101 -43
AN520-10R8	102 -39
AN520-10R8	120A-21
AN520-10R8	120B-28
AN520-10R8	120B-30
AN520-10R8	120C-31
AN520-10R8	121 -29
AN520-10R8	129 -38
AN520-10R8	129 -41
AN520-10R8	129 -52
AN520-10R9	51 -12
AN520-10R9	51A-25
AN520-10R9	131 -50
AN520-10R9	131 -61
AN520-10R9	132 -50
AN520-10R9	132 -61
AN520-10R9	133 - 2
AN520-10R9	133 -26
AN520-416R20	54 - 2
AN520-416R8	121 - 5
AN520-416R8	121 -50
AN520-416R8	122 - 6
AN520-416R8	122 -48
AN520-6-8	123A-31
AN520B10R14	67 -80
AN520B10R14	68 -80
AN520B10R16	116 -39
AN520B10R16	117 -35
AN520B10R16	117 -37
AN520B10R16	117A-36
AN520C10R16	134 - 1
AN520C10R16	134 - 8
AN520C10R16	135 -18
AN520C10R16	135 -31
AN525-10R14	71 - 8
AN525-10R14	71 -17
AN525-10R18	51A-13
AN525-10R6	98 -78
AN525-10R6	99A-31
AN525-10R6	101 -52
AN525-10R6	102 -48
AN525-10R8	49 -32
AN525-10R8	50 -30
AN525-416R8	32A-27
AN525-416R9	22 -24
AN525-416R9	23 -27
AN525-8R7	105 -58A
AN525-8R7	106 -21A
AN525-823R8	86 - 3
AN525-832R7	49 -22
AN525-832R7	50 -22
AN525-832R8	103 - 3
AN525-832R8	104 -55
AN525-832R9	24 -14
AN535-0-2	79 -20
AN545-6R3	65 -21
AN565B4-2	94A-49A
AN565D6-3	93 -17
AN6-10A	30 -97
AN6-11A	98 -44
AN6-11A	99A- 5
AN6-21A	76 -11
AN6-24A	74 - 3
AN6-24A	75 - 3A
AN6-25A	41 -18
AN6-25A	75 - 3
AN6-26A	75 - 3
AN6-26A	75 - 3
AN6-33A	75 - 2A
AN6-34A	75 - 2
AN6-35A	75 - 2
AN6-35A	75 - 2
AN6-6A	30 -95

PART NUMBER	FIGURE AND INDEX NO.
AN6-7A	17 - 4
AN6-7A	18 - 1
AN6-7A	18 - 7
AN6-7A	30 -98
AN61-22RS	99 - 4
AN6227-11	113A-24
AN6227-15	40A-24
AN6227-17	40A-28
AN6227-6	113A-28
AN6227B1	135 - 7
AN6227B23	42 -24
AN6227B23	42B-23
AN6227B27	42A-18
AN6227B8	93 - 8
AN6227B9	81 -40
AN6227B9	81B-40
AN6230B2	43 -10
AN6230B2	44 -45
AN6230B3	43 -11
AN6230B3	44 -46
AN6289D10	113 -26
AN6289D10	115 - 4
AN6328-8Z3	5 -27
AN6328-8Z3	6 -27
AN665-34R	70A-17
AN7-20A	40 - 9
AN7-20A	40A- 9
AN7-20A	41 - 9
AN7-24A	3 - 4
AN7-24A	3A- 4
AN7-33A	76 - 8
AN7-33A	77 - 6
AN7-40A	121 -35
AN7-40A	122 -34
AN735D36	76 -33
AN735D36	117D-16
AN737RM22	134 - 7
AN737RM22	134 -16
AN737RM22	135 -26
AN737RM22	135 -30
AN737RM30	13 -17A
AN737TW91	108 -25
AN741-18P	74 -31
AN741-18P	75 -25
AN741TD7	74 -62
AN741TD7	75 -45
AN741T5	96 -45
AN742D12	68A-48
AN742D12	68B-49
AN742D12	68C-45
AN742D12	76 -38
AN742D12	89 -14C
AN742D12	117 -18
AN742D14	76 -26
AN742D14	136 -17
AN742D16	88 -13
AN742D16	88A-31
AN742D2	32 -35
AN742D2	95A-23
AN742D3	68 -27
AN742D3	74 -21
AN742D3	75 -12
AN742D3	89 - 8C
AN742D3	89 -14
AN742D3	89 -14B
AN742D3	90 -15A
AN742D3	92 -40
AN742D3	109 -11
AN742D3	110 -18
AN742D3	110 -21
AN742D3	110A-22
AN742D32	113 -12
AN742D32	114 - 9
AN742D36	74 -90

PART NUMBER	FIGURE AND INDEX NO.
AN742D36	74 -91
AN742D36	76 -37
AN742D4	4 -43
AN742D4	5 - 4
AN742D4	6 - 4
AN742D4	6A-48
AN742D4	6A-49
AN742D4	74 -62
AN742D4	75 -13
AN742D4	75 -41
AN742D4	75 -42
AN742D4	75 -45
AN742D4	104 -63
AN742D4	104 -66
AN742D4	104 -67
AN742D4	105 -72
AN742D4	105 -75
AN742D4	105 -76
AN742D4	107 -10
AN742D4	114 -22
AN742D4	126 -77
AN742D5	120A-24
AN742D5	120B-30
AN742D5	120C-31
AN742D6	13 - 6C
AN742D6	95A- 4A
AN742D6	95A- 9
AN742D6	103 -21
AN742D6	103 -27
AN742D6	104 -18
AN742D6	104 -24
AN742D6	105 -16
AN742D6	105 -22
AN742D6	106 -15
AN742D8	13 - 6C
AN742D8	102B- 4
AN742D8	117 -15
AN742D8	117 -17
AN742D8	136 -17
AN742D8	136 -18
AN743-12	101 -34B
AN75A10	44 -37
AN76-11	41 -41
AN775-4	41 -46
AN776-4D	41 -46
AN780-2	118 - 1
AN780-2	118 - 2
AN780-2	118 - 5
AN780-2	118 - 6
AN8-17A	16 - 3
AN8-23A	3 - 1
AN8-23A	3A- 1
AN8-25A	16 - 2
AN815-10D	113 -33
AN815-3D	90 -10
AN815-4D	40 -14
AN815-4D	40A-14
AN815-4D	41 -45
AN815-4D	90 -10
AN815-6D	103 -10
AN815-6D	103 -22
AN815-6D	103 -24
AN815-6D	103 -28
AN815-6D	103 -39
AN815-6D	104 - 8
AN815-6D	104 -19
AN815-6D	104 -21
AN815-6D	104 -25
AN815-6D	105 - 8
AN815-6D	105 -17
AN815-6D	105 -19
AN815-6D	105 -23
AN815-6D	106 - 8
AN815-6D	106 -14

PART NUMBER	FIGURE AND INDEX NO.
AN815-6D	108 -15
AN815-8D	106 -36
AN816-2D	67 -17
AN816-2D	68 -19
AN816-2D	74 -40
AN816-2D	74 -54
AN816-2D	110 -14
AN816-2D	116 -31
AN816-2D	117 -29
AN816-2D	118 - 8
AN816-2D	118A-17
AN816-2D	134 -53
AN816-2D	135 -24
AN816-2D	113 -18D
AN816-3B	120B-22
AN816-3B	120C-25
AN816-3D	68 -89
AN816-3D	119 -14
AN816-3D	120A-13
AN816-3D	120A-31
AN816-3D	120A-37
AN816-3D	120B-14
AN816-3D	120B-24
AN816-3D	120C-14
AN816-3D	120C-27
AN816-4	113 -43
AN816-4D	40 -15A
AN816-4D	42 -36
AN816-4D	95B-27
AN816-4D	105 -28C
AN816-4D	113 -17
AN816-4D	114 -14
AN816-4D	114 -18
AN816-4D	117B-29
AN816-4D	117C-15
AN816-4D	113 -18B
AN816-5D	119 -20
AN816-6-6D	105 -54
AN816-6-6D	108 - 8
AN816-6-8D	116 -20
AN816-6D	103 -41
AN816-6D	108 - 7
AN816-6D	117B-53
AN816-6D	117C- 7
AN816-6D	117C-10
AN816-8D	105 -54
AN816-8D	110 - 1
AN818-4D	104 -30C
AN818-6D	13 -10
AN821-6D	103 - 5
AN821-6D	104 - 3
AN821-6D	105 - 3
AN821-6D	105 -26
AN821-6D	106 - 5
AN821-6D	106 -16
AN824-6D	103 -35
AN824-6D	104 -28
AN824-6D	106 - 9
AN832-2D	33 -28
AN832-2D	33 -32
AN832-2D	74 -49
AN832-2D	85 -15
AN832-2D	118A- 7
AN832-3D	33 -32
AN832-3D	74 -49
AN832-6D	108 -16
AN833-10D	113 -25
AN833-10D	115 - 3
AN833-2D	33 -27
AN833-2D	74 -41
AN833-2D	106 -40
AN833-2D	118A- 7
AN833-3D	90 - 6
AN833-3D	90 -13

PART NUMBER	FIGURE AND INDEX NO.
AN833-4D	33 -23
AN833-4D	41 -14
AN833-4D	74 -45
AN833-4D	90 - 6
AN833-4D	90 -13
AN833-4D	104 -30E
AN833-4D	105 -28E
AN833-4D	107 - 9
AN833-4D	107 -13
AN833-4D	113 - 4
AN833-6D	103 -31
AN834-2D	33 -30
AN834-2D	77 -40
AN834-2D	118A- 8
AN834-6D	103 -11
AN834-6D	103 -30
AN837-2D	33 -38
AN837-3D	90 - 7
AN837-4D	90 - 7
AN837-4D	114 - 4
AN837-4D	127 -39
AN837-4D	128 -37
AN837-6D	103 -31
AN842-6D	134 -11
AN842-8	116 -16
AN842-8	117 -20
AN842-8	117D-12
AN842-8	136 - 7
AN844-6D	134 - 5
AN844-8	116 - 9
AN844-8	117 - 9
AN844-8	117A- 9
AN844-8	136 -11
AN844-8D	117D-11
AN900-10	74 -38
AN900-10	76 -66
AN900-10	114 -37
AN901-4C	41 -46
AN910-1D	101 -41
AN910-1D	102 -37
AN910-2D	76 -70
AN911-1D	101 -34
AN911-1D	102 -30A
AN911-1D	107 -20
AN911-1D	120A-16
AN911-1D	120B- 2
AN911-1D	120C- 2
AN911-1D	113 -18C
AN912-1	104 -30A
AN912-1	105 -28A
AN912-1D	107 -21
AN912-1D	116 -29
AN912-1D	117 -27
AN912-1D	134 -51
AN912-2	135 -22
AN912-2	117 -41
AN912-2	136 -22
AN912-2D	95B-23
AN912-3	76 -52
AN912-3	77 -54
AN912-3	113 - 8
AN914-1D	113 -18E
AN915-1D	40 -15A
AN915-1D	40A-15A
AN915-2	106 -46
AN916-1D	101 -33
AN916-1D	102 -30
AN917-1D	120A-14
AN917-1D	120B-25
AN917-1D	120C-28
AN917-1D	113 -18A
AN917-2D	107 -19
AN917-3D	105 -54
AN918-1D	120A-32

PART NUMBER	FIGURE AND INDEX NO.	PART NUMBER	FIGURE AND INDEX NO.	PART NUMBER	FIGURE AND INDEX NO.
AN918-1D	120B-10	AN936A6	44 -24	AN960-10	82 -10
AN918-1D	120C-10	AN936A6	68A-30	AN960-10	87 -24
AN921-3D	90 - 3	AN936A6	68B-26	AN960-10	91 -20
AN921-4D	90 - 3	AN936A6	68C-28	AN960-10	92 -17
AN921-4D	93 -11	AN936A6B	67 -20	AN960-10	94A-16
AN924-2D	33 -28	AN936A6B	68 -22	AN960-10	95A-19
AN924-2D	33 -28	AN936A6B	68A-39	AN960-10	96 -40
AN924-2D	74 -43	AN936A6B	68A-40	AN960-10	96 -48
AN924-2D	74 -51	AN936A6B	68A-42	AN960-10	104 -39
AN924-2D	77 -40	AN936A6B	68B-40	AN960-10	109 -15
AN924-2D	85 -16	AN936A6B	68B-41	AN960-10	110 -23
AN924-2D	106 -40	AN936A6B	68B-42	AN960-10	120A-26
AN924-2D	118A-10	AN936A6B	68C-43	AN960-10	120B-31
AN924-3D	33 -32	AN936A6B	68C-44	AN960-10	120C-32
AN924-3D	74 -51	AN936A6B	77 -17	AN960-10	127 -38
AN924-3D	90 - 3A	AN936A6B	95B- 1	AN960-10	127 -49
AN924-3D	90 - 9	AN936A6B	95B-31	AN960-10	128 -36
AN924-3D	90 -15	AN936A616	60 -27	AN960-10	128 -45
AN924-4	127 -43	AN936A616	61 -29	AN960-10	134 -88
AN924-4D	33 -23	AN936A616	61A-28	AN960-10	134 -92
AN924-4D	41 -16	AN936A8	40 -40	AN960-10	134 -96
AN924-4D	74 -47	AN936A8	40A-45	AN960-10	134 -99F
AN924-4D	90 - 3A	AN936A8	41 -47	AN960-10	135 -83
AN924-4D	90 - 9	AN936A8	67 -50	AN960-10	97 -42
AN924-4D	90 -15	AN936A8	67 -55	AN960-10L	3 -48
AN924-4D	93 -13	AN936A8	68A-10	AN960-10L	20 -17
AN924-4D	103 -43	AN936A8	68A-21	AN960-10L	30 - 7
AN924-4D	104 -30	AN936A8	68B-11	AN960-10L	40A-37
AN924-4D	104 -30E	AN936A8	68B-21	AN960-10L	46 -41
AN924-4D	105 -28	AN936A8	68C-14	AN960-10L	49 - 5
AN924-4D	105 -28E	AN936A8	81 - 4	AN960-10L	50 - 5
AN924-4D	107 -12	AN936A8	81B- 4	AN960-10L	60 - 8
AN924-4D	113 - 6	AN936A8	89 -28	AN960-10L	60 -34
AN924-4D	113 -40	AN936A8	94B-21	AN960-10L	61 - 9
AN924-4D	114 - 4	AN936A8	105 -58B	AN960-10L	61 -36
AN924-4D	127 -39	AN936A8	106 -21B	AN960-10L	61A- 9
AN924-4D	128 -37	AN936A8	124A-17	AN960-10L	61A-35
AN924-6D	103 -11	AN936B10	51 -13	AN960-10L	63 - 8
AN924-6D	103 -31	AN936B10	74 -33	AN960-10L	63 -42
AN924-6D	116 -24	AN936B10	75 -25	AN960-10L	63 -72
AN924-6D	117 -45	AN936B10	129 - 3	AN960-10L	63A- 6
AN924-6D	117D- 1	AN936B416	87 - 3	AN960-10L	63A-13
AN924-6D	136 -26	AN936B416	119 -18	AN960-10L	63A-21
AN929-6	103 -11	AN936B6B	67 -70	AN960-10L	63A-21C
AN929-6	103 -32	AN936B6B	67 -71	AN960-10L	63B-19
AN932-S2	120B-19	AN936B6B	101 - 2	AN960-10L	63C- 3
AN932C2	120C- 7	AN936C10	44 -49	AN960-10L	63C- 5
AN932C2	120C-22	AN936C8	68 -54	AN960-10L	63C-32
AN932C4	113A-22	AN944-101	40A-34	AN960-10L	63C-64
AN932C4	113A-34	AN960-10	6A-26	AN960-10L	63C-77
AN932D2	120A-18	AN960-10	15 -10	AN960-10L	63C-92
AN932D2	120B- 7	AN960-10	22 - 9	AN960-10L	74 -11
AN932S2	120A- 1C	AN960-10	30 - 3	AN960-10L	74 -19
AN935-10	79 - 4	AN960-10	30 -61	AN960-10L	74 -62
AN935-10	79 -29	AN960-10	30 -69	AN960-10L	74 -65
AN935-10	123B-17	AN960-10	30 -99C	AN960-10L	74 -92
AN935-10	133 - 5	AN960-10	32 - 2	AN960-10L	74 -94
AN935-10L	81 -44	AN960-10	32 - 7	AN960-10L	75 -16
AN935-10L	81B-44	AN960-10	32A- 2	AN960-10L	75 -45
AN935-10L	136 - 1	AN960-10	32A- 7	AN960-10L	76 -39
AN935-416	44 -30	AN960-10	38 -28	AN960-10L	77 -33
AN935-8L	79 -24	AN960-10	52 - 4	AN960-10L	78 -13
AN935-8L	81 -34	AN960-10	62 -42	AN960-10L	78A-13
AN935-8L	81B-34	AN960-10	62 -55	AN960-10L	87 - 6
AN936A10	108 - 6	AN960-10	62 -63	AN960-10L	87 -10
AN936A10	110A- 1	AN960-10	63 -44	AN960-10L	87 -30
AN936A10	110A-28	AN960-10	63C-39	AN960-10L	87 -35
AN936A10	121 -43	AN960-10	63C-71	AN960-10L	88 -23
AN936A4	94B-13	AN960-10	65 - 3	AN960-10L	88A- 8
AN936A416	60 -26	AN960-10	74 -29	AN960-10L	89 -13
AN936A416	61 -28	AN960-10	74 -68	AN960-10L	90 -45
AN936A416	61A-28	AN960-10	74 -76	AN960-10L	91 -17A
AN936A416	117D-17A	AN960-10	74 -86	AN960-10L	95 -60
AN936A416	123B-19	AN960-10	82 - 4	AN960-10L	98 -42

PART NUMBER	FIGURE AND INDEX NO.	PART NUMBER	FIGURE AND INDEX NO.	PART NUMBER	FIGURE AND INDEX NO.
AN960-10L	98 -49	AN960-416	121 - 8	AN960-516L	47 -48
AN960-10L	98 -58	AN960-416	121 -30	AN960-516L	48B-46
AN960-10L	98 -60	AN960-416	122 - 9	AN960-516L	78 -22
AN960-10L	99A- 3	AN960-416	122 -31	AN960-516L	78A- 6
AN960-10L	99A-11	AN960-416	126 -10	AN960-516L	118A- 9
AN960-10L	99A-18	AN960-416	127 - 6	AN960-516L	131 -13
AN960-10L	100 -32	AN960-416	128 - 5	AN960-516L	131 -14
AN960-10L	103 -46	AN960-416	131 -17	AN960-516L	131 -19
AN960-10L	104 -31	AN960-416	131 -32	AN960-516L	131 -19A
AN960-10L	104 -61	AN960-416	132 -17	AN960-516L	131 -24
AN960-10L	105 -29	AN960-416	132 -32	AN960-516L	131 -29
AN960-10L	105 -37	AN960-416L	21 - 2	AN960-516L	131 -33
AN960-10L	105 -70	AN960-416L	42 -32	AN960-516L	132 -13
AN960-10L	113 -14	AN960-416L	42A-25	AN960-516L	132 -14
AN960-10L	114 -11	AN960-416L	42B-31	AN960-516L	132 -19
AN960-10L	119 -21	AN960-416L	44 -11	AN960-516L	132 -24
AN960-10L	121 -57	AN960-416L	59A- 3	AN960-516L	132 -29
AN960-10L	122 -55	AN960-416L	62 - 5	AN960-516L	132 -33
AN960-10L	129 - 4	AN960-416L	63C-13	AN960-516L	46A-19A
AN960-10L	129 -29	AN960-416L	63C-17	AN960-516L	46B-18A
AN960-10L	134 -81	AN960-416L	74 -97	AN960-6	106 -26
AN960-10L	135 -74	AN960-416L	75 -40	AN960-6	123A-17
AN960-1416L	117A-40	AN960-416L	87 -17	AN960-6L	67 -76
AN960-2	109 -17	AN960-416L	94 - 3	AN960-6L	67 -78
AN960-2	110 -26	AN960-416L	94A- 4	AN960-6L	68 -76
AN960-4	8A-10	AN960-416L	95 -25	AN960-6L	68 -78
AN960-4	90 -41	AN960-416L	95 -50	AN960-6L	123 -30
AN960-4	97 -62	AN960-416L	98 -20	AN960-6L	124 - 2
AN960-4	113 -37	AN960-416L	99 -20	AN960-6L	134 -27
AN960-4	115 -14	AN960-416L	100 -26	AN960-6L6	17 - 5
AN960-4	134 -84	AN960-416L	103 -41	AN960-616	18 - 2
AN960-4	134 -98	AN960-416L	103 -43	AN960-616	18 - 2
AN960-4	135 -77	AN960-416L	104 -30	AN960-616	18 - 8
AN960-4L	73 -41D	AN960-416L	105 -28	AN960-616	40A-20
AN960-4L	73A-47	AN960-416L	107 - 3	AN960-616	41 -19
AN960-4L	135 - 3	AN960-416L	107 -26	AN960-616	46B-45
AN960-416	19 - 3	AN960-416L	108 - 4	AN960-616	74 - 6
AN960-416	19 -42	AN960-416L	108 -28	AN960-616	76 -11
AN960-416	20 - 2	AN960-416L	110 - 5	AN960-616L	18 - 2
AN960-416	35B-31	AN960-516	9 -13	AN960-616L	30 -95
AN960-416	38 -12	AN960-516	10 -14	AN960-616L	30 -97
AN960-416	38 -16	AN960-516	10A-15	AN960-616L	30 -98
AN960-416	40 - 5	AN960-516	17 - 2	AN960-616L	40A-20
AN960-416	40A- 5	AN960-516	18 - 5	AN960-616L	41 -41
AN960-416	41 - 5	AN960-516	40A-20	AN960-616L	42 -35
AN960-416	42 -20	AN960-516	40A-47	AN960-616L	42B-34
AN960-416	42B-19	AN960-516	41 -22	AN960-616L	44 - 5
AN960-416	43 - 4	AN960-516	41 -40	AN960-616L	46B-45
AN960-416	44 -14	AN960-516	42A- 5	AN960-616L	63 -55
AN960-416	46 -22	AN960-516	44 -38	AN960-616L	90 - 8
AN960-416	46 -47	AN960-516	45 -13	AN960-616L	90 -14
AN960-416	46A-52	AN960-516	45 -17A	AN960-616L	108 - 9
AN960-416	61A-56	AN960-516	46 -13	AN960-716	3 - 5
AN960-416	63 -62	AN960-516	46 -17	AN960-716	3A- 5
AN960-416	63 -83A	AN960-516	46 -31	AN960-716	62 -46
AN960-416	63C-98A	AN960-516	46A-13	AN960-716	121 -36
AN960-416	64 -17	AN960-516	46A-18	AN960-716	122 -35
AN960-416	65B- 4	AN960-516	46A-18A	AN960-716L	77 - 7
AN960-416	65B- 8	AN960-516	46A-61	AN960-716L	90 - 8
AN960-416	70 - 5B	AN960-516	46B-13	AN960-716L	90 -14
AN960-416	94A- 5	AN960-516	46B-18	AN960-8	63C-88
AN960-416	95 -45	AN960-516	74 -82	AN960-8	65 -12
AN960-416	95 -71	AN960-516	78 - 6A	AN960-8	65 -26
AN960-416	95 -71	AN960-516	78 - 6B	AN960-8	88A-35
AN960-416	96 - 6	AN960-516	78 -22	AN960-8	129 -11
AN960-416	96 -22	AN960-516	87 -23	AN960-8	129 -22
AN960-416	96 -28	AN960-516	127 -12	AN960-8	134 -39
AN960-416	96 -43	AN960-516	97 -42	AN960-8	134 -66
AN960-416	97 -32	AN960-516L	30 -56	AN960-8	134 -75
AN960-416	100 -2C	AN960-516L	30 -93	AN960-8	134 -79
AN960-416	110A-20	AN960-516L	30 -94	AN960-8	135 -57
AN960-416	113 -38	AN960-516L	30 -96	AN960-8	135 -68
AN960-416	115 -15	AN960-516L	30 -99B	AN960-8	135 -72
AN960-416	117D-17B	AN960-516L	40A-20	AN960-8	135 -77



PART NUMBER	FIGURE AND INDEX NO.
AN960-8	135 -79
AN960-8L	19 -50
AN960-8L	24 -14
AN960-8L	40A-30
AN960-8L	65A- 5
AN960-8L	65A- 6
AN960-8L	76 -62
AN960-8L	129 -24
AN960-816	3 - 2
AN960-816	3A- 2
AN960-816	16 - 2
AN960-816	47 - 6
AN960-816	48 - 3
AN960-816	48 -24
AN960-816	48 -26
AN960-816	48A- 3
AN960-816	48A-24
AN960-816	48B- 6
AN960-816	94 -10
AN960-816L	47 -26
AN960-816L	48B-24
AN960-816L	94A-13
AN960-816L	94A-29
AN960A816L	94 -11
AN960C10	90 -25
AN960C10L	90 -25
AN960C416L	54 - 2
AN960C416L	60 -43
AN960C416L	75 -36
AN960C416L	100A- 1
AN960C416L	112 - 9
AN960C616L	59A-29
AN960C616L	62 -36
AN960C616L	62 -67
AN960D10	59A-38
AN960D10	62 -11
AN960D10	70 -44
AN960D10	74 -27
AN960D10	75 -21
AN960D10	98 -46
AN960D10	101 -44
AN960D10	102 -40
AN960D10	120 -22
AN960D10	87 -14
AN960D10L	51A- 9
AN960D10L	70 -45
AN960D10L	70B- 3
AN960D10L	70B- 7
AN960D10L	70B- 7
AN960D10L	70B-11
AN960D10L	116 - 4
AN960D10L	117 - 4
AN960D10L	117A- 4
AN960D10L	136 - 4
AN960D416	84 -57
AN960D416	85 -44
AN960D516	74 -42
AN960D516	74 -50
AN960D516	77 -40
AN960D516	85 -17
AN960D516	106 -40
AN960D516	128 -11
AN960D516L	73 -47A
AN960D516L	73A-57
AN960D516L	131 -37
AN960D516L	132 -37
AN960D616	63 -78
AN960D616	74 -50
AN960D716	74 -46
AN960D716	113 - 5
AN960D716	114 - 4
AN960D716L	127 -39
AN960D716L	128 -37
AN960D916	116 -23

PART NUMBER	FIGURE AND INDEX NO.
AN960D916	117 -44
AN960D916	1170- 2
AN960D916	136 -25
AN960PD10	71 - 9
AN960PD10	71 -18
AN960PD10	76 -41A
AN960PD10	76 -88
AN960PD10L	46B-48
AN960PD10L	76 -74
AN960PD10L	76 -90
AN960PD10L	105 -56
AN960PD416	76 -77
AN960PD6L	94A-34
AN960PD6L	94A-39
AN960P08L	74 -99
AN970-3	59 -26
AN970-3	59 -30
AN970-3	60 -58
AN970-3	61 -60
AN970-3	61A-60
AN970-3	63 -88
AN970-3	63C-99C
AN970-3	115 -10
AN970-3	120A-40
AN970-3	120B-36
AN970-3	120C-37
AN970-3	123A-22
AN970-3	126 -59
AN970-3	128 -53
AN970-4	75 -37
AN970-5	70 -12
AN970-5	95A-12
AV2B1371	107 - 5
A1049-8Z3	86 - 8
A1104	3 -35A
A1105	135 - 4
A1106	135 - 4
A1108	135 - 4
A1213	135 -11
A1257A	3 -33
A1257A	3A-27
A1272	134 -76
A1280-2	3 -34
A1280-2	3A-25
A1280-3	3 -34
A1280-3	3A-25
A1396	134 -81
A1561-2	72 -35
A1561-2	71 - 2
A1561-4	72 -35
A1561-6	72 -35
A1580	72A-18
A1580	72B-18
A1633-12	72 -22
A1633-12	72A-33
A1633-12	72B-33
A1633-12	72C-21
A1633-13	72 - 8
A1633-13	72A-14
A1633-13	72B-14
A1633-3	72 - 2
A1633-3	72A- 2
A1633-3	72B- 2
A1633-3	72C- 7
A1633-3	71 - 6
A1633-36	81A- 5
A1633-36	81D- 5
A1633-37	72C-43
A1633-9	72 -29
A1633-9	72 -34
A1633-9	72A-40
A1633-9	72A-45
A1633-9	72B-40
A1633-9	72B-45

PART NUMBER	FIGURE AND INDEX NO.
A1633-9	72C-28
A1634-4	72 - 9
A1634-5	72A-20
A1634-5	72B-20
A1634-6	72C-39
A1635-16	72 - 4
A1635-16	72A- 4
A1635-16	72B- 4
A1635-17	72 - 4
A1635-17	72A- 4
A1635-17	72B- 4
A1635-18	72 - 4
A1635-18	72A- 4
A1635-18	72B- 4
A1635-19	72 - 4
A1635-19	72A- 4
A1635-19	72B- 4
A1635-21	72 - 4
A1635-21	72A- 4
A1635-21	72B- 4
A1635-22	72 - 4
A1635-22	72A- 4
A1635-22	72B- 4
A1635-27	72A- 8
A1635-27	72B- 8
A1635-27	72C- 9
A1635-36	72C- 9
A1635-37	72C- 9
A1635-40	72C- 9
A1635-56	72C- 9
A1635-65	72 -18
A1635-65	72A-29
A1635-65	72B-29
A1635-65	72C-14
A1635-66	72C-27
A1635-67	72C- 9
A1635-68	72C- 9
A1636-6	72 - 7
A1636-6	72A-11
A1636-6	72B-11
A1636-7	72 -24
A1636-7	72A-35
A1636-7	72B-35
A1636-7	72C-19
A1638-2	71 - 4
A1638-2	72C- 3
A1638-5	72A- 9
A1638-5	72B- 9
A1638-9	72 -19
A1638-9	72A-30
A1638-9	72B-30
A1638-9	72C-15
A1639-2	72 - 1
A1639-2	72A- 1
A1639-2	72B- 1
A1639-2	72C- 2
A1639-2	71 - 5
A1639-23	72C-10
A1742	72 -10
A1748	135 -69
A1793-6Z3	88 - 5
A1804-6Z3	119 -29
A1882	72 -13
A1883	72 -12
A1934	72 -29
A1934	72A-40
A1934	72B-40
A1935	72 -31
A1935	72A-42
A1935	72B-42
A1936	72 -30
A1936	72A-41
A1936	72B-41
A1937	72C-29
A1937	72 -33

PART NUMBER	FIGURE AND INDEX NO.
A1937	72A-44
A1937	72B-44
A1938	72 -20
A1938	72A-31
A1938	72B-31
A1958	72 - 6
A1958	72A- 6
A1958	72B- 6
A20022	81A-27
A20022	81D-27
A20026	81A-34
A20026	81D-34
A20027	81A-35
A20027	81D-35
A20034	81A- 9
A20034	81D- 9
A20036	81A-26
A20036	81D-26
A20037	81A-14
A20037	81D-14
A20039	81A- 7
A20039	81D- 7
A20063A	81A-22
A20063A	81D-22
A20064	81A-23
A20064	81D-23
A20067	81A-13
A20067	81D-13
A20068	81A-19
A20068	81D-19
A20069-1	81A-17
A20069-2	81D-17
A20070A	81A-24
A20070A	81D-24
A20071	81A-15
A20071	81D-15
A20072A	81A-25
A20072A	81D-25
A20076	81A-28
A20076	81D-28
A20078	81A-29
A20078	81D-29
A20079	81A-30
A20079	81D-30
A20081	81A-31
A20081	81D-31
A20083	81A-11
A20084B	81A-21
A20084B	81D-21
A20086	81A-16
A20086	81D-16
A2104	72 - 3
A2108	72C-20
A2108	72 -25
A2108	72A-36
A2108	72B-36
A2109-3	39 -10
A2230	72 -38
A2230	72A-48
A2230	72B-48
A2230	72C- 5
A2351	72 -23
A2351	72A-34
A2351	72B-34
A2351	72C-33
A2356	72 -16
A2356	72A-27
A2356	72B-27
A2356	72C-17
A2423	72A- 3
A2423	72B- 3
A2713-2	72 -35
A2713-4	72 -35
A2713-6	72 -35

PART NUMBER	FIGURE AND INDEX NO.
A2714	72 -36
A3047	72 -37
A3047	72A-47
A3047	72B-47
A3047	71 - 3
A3047-30	72 -37
A3047-30	72A-47
A3047-30	72B-47
A3047-45	72 -37
A3047-45	72A-47
A3047-45	72B-47
A3053-14-27	100 -56
A3100	72A-16
A3100	72B-16
A3110	72A-15
A3110	72B-15
A3124	72 -27
A3124	72A-38
A3124	72B-38
A3124	72C-31
A3125	72 -26
A3125	72A-37
A3125	72B-37
A3125	72C-32
A3149	72A-17
A3149	72B-17
A3150-5	72C-24
A3217	72 -15
A3217	72A-26
A3217	72B-26
A3493-012-1	121 -26
A3493-012-1	122 -23A
A3493-012-1	124A-19
A3902	72C-25
A3906	72C- 8
A39070	42A-13
A4001	72C- 6
A4050	47 -36
A4050	48A-30
A4050	48B-31
A4050	48 -18
A4050	48A-18
A4050	47 -21
A4050	48B-19
A4138	47 -37
A4138	48A-31
A4138	48B-32
A4138	48 - 5
A4138	48A- 5
A4138	47 - 6
A4138	48B- 6
A427	134 -84
A427	135 -77
A4513-1	39 - 8
A482	134 - 4
A482	134 -10
A482	135 -12
A482	135 -44
A5-35PR	73 -44
A5-35PR	73 -45A
A5-35PR	73A-54
A615	74 -99
A6194-8Z1	17 -23
A6194-8Z1	18 -27
A6204-8Z3	8A- 7
A654-5	134 -23
A654-5	134 -43
A654-6	134 -24
A654-6	134 -44
A7512-12	3 -32
A7512-12	3A-26
A76	107 - 5
A8002	94A-50
A8618-10Z1	70A-22

PART NUMBER	FIGURE AND INDEX NO.
A911	135 - 8
A9167-21	134 -33
A960-416L	65A-10
A978	134 -63
A978	134 -67
A978	134 -68
A978	134 -89
A978	134 -93
A978	134 -94
A978	135 -27
A979	134 -18
A979	134 -58
A979	134 -60
B1	53 -22
B1	54 - 4
B1	55 -20
B1	57 -35
B1	58 -28
B1316	81 -18
B1316	81B-18
B1341-8	134 -83
B1341-8	135 -76
B1610	135 -15
B1965	72 -21
B1965	72A-32
B1965	72B-32
B20040	81A-18
B20040	81D-18
B20055	81A- 6
B20055	81D- 6
B20066	81A-12
B20066	81D-12
B20074	81A- 4
B20074	81D- 4
B20077	81A-32
B20077	81D-32
B20082	81A-33
B20082	81D-33
B20085-2	81A- 5
B20085-2	81D- 5
B2289-1	72 -11
B2289-2	72 -11
B2289-3	72 -11
B2345	72 -28
B2345	72A-39
B2345	72B-39
B2345	72C-30
B2417	72A- 7
B2417	72B- 7
B2420-4	72A-12
B2420-4	72B-12
B2420-6	72A-12
B2420-6	72B-12
B2421-10	72A-13
B2421-10	72B-13
B2421-12	72A-13
B2421-12	72B-13
B2421-14	72A-13
B2421-14	72B-13
B2421-16	72A-13
B2421-16	72B-13
B2421-18	72A-13
B2421-18	72B-13
B2421-20	72A-13
B2421-20	72B-13
B2421-8	72A-13
B2421-8	72B-13
B2422-1	72A-10
B2422-1	72B-10
B296-17	135 -13
B296-18	135 -14
B296-20	134 -45
B296-4	135 -39
B296-5	135 -38

PART NUMBER	FIGURE AND INDEX NO.
B296-50	134 -21
B296-51	134 -22
B296-52	134 -25
B296-53	134 -26
B296-58	134 - 3
B296-58	135 -32
B296-59	134 - 2
B296-59	135 -33
B296-61	134 - 9
B296-7	135 - 9
B296-8	135 -10
B3099	72A-46
B3099	72B-46
B3099	71 - 2
B3216	72 -14
B3216	72A-25
B3216	72B-25
B3414	72C-23
B3526	72C-18
B3857	72C-16
B3905	72C-26
B3908	72C-11
B39094	42 -10
B39094	42B- 9
B3920	72C- 4
B4014	72C-40
B4016	72C-12
B4017	72C-37
B4022	72C-36
B4023	72C-35
B4024	72C-34
B45	100A- 8
B45	100A-17
B610	14 - 8
B610	15 - 6
B610	94 -17
B610	94A- 7
B804-2	134 -41
B804-3	134 -42
CA2	67 -50
CA2	68 -49
CA2	68A-29
CA2	68B-25
CA2	68C-27
CA2	68D-13
CA2	68E- 3
CM2629N1	67 -74
CM2629N1	68 -73
CM2647N1	67 -70
CM2647N1	68 -70
CM2679-2	104 -55
CM2679-2	121 -22
CM2679-2	122 -23
CM2692-10-1S	33 -29
CM2692-10-1S	33 -30A
CM2692-12-1H	33 -33
CM2692-12-1H	33 -37A
CM2692-12-1S	33 -37
CM2692-12-3S	68 -14
CM2692-15-1S	33 -36
CM2692-16-2S	35B- 3
CM2692-28-1S	12 -26
CM2692-32-1S	22 -22
CM2692-32-1S	23 -26
CM2692-8-1H	33 -41
CM2791	73 - 7
CM2791	73 -30
CM2791	73 -31
CM2791	73 -32
CM2791	73 -44
CM2791	73 -44
CM2791	73 -45A
CM2791	73A- 8
CM2791	73A-33

PART NUMBER	FIGURE AND INDEX NO.
CM2791	73A-34
CM2791	73A-54
CP2 3/4	70 -17
CR163-4-10	24 -76
CR163-4-4	10 -19
CR163-4-4	10A-20
CR163-4-4	20 -37
CR163-4-4	28 -47
CR163-4-4	49 -25
CR163-4-4	49 -29
CR163-4-4	50 -23
CR163-4-4	50 -27
CR163-4-4	73 -54
CR163-4-4	73 -61
CR163-4-4	73A-63
CR163-4-4	73A-70
CR6	135 -28
CS3	134 -19
CS6	134 -62
CS6	135 -45
CS6	135 -61
CS8	134 -61
C1C2	1 - 1
C156001-0102	13 -38
C156001-0104	13 -41
C156001-0106	13 -38
C1587	72 - 8
C1587-1	72 - 9A
C1587-2	72 - 9B
C161002-0201	71 - 1
C161002-0201	72A-
C161002-0202	71 - 1
C161002-0202	72A-
C161002-0203	71 - 1
C161002-0203	72A-
C161002-0204	71 - 1
C161002-0204	72A-
C161002-0204	71 - 1
C161004-0105	71 - 1
C161004-0105	72A-
C161004-0106	71 - 1
C161004-0106	72B-
C161004-0107	71 - 1
C161004-0107	72B-
C161009-0101	71 - 1
C161009-0101	72C-
C161009-0102	71 - 1
C161009-0102	72C-
C161030-0102	81A-
C161030-0107	81D-
C161040-0103	79A-
C161040-0107	81C-
C163001-0301	42A- 1
C163001-0302	42A- 1
C163030-0303	42A-15
C163030-0305	42A-15
C163030-0313	42A-15
C165001-0102	1170-15
C166001-0104	120A- 1
C166001-0104	120B-16
C166001-0601	120C-16
C166002-0101	120A- 1
C166002-0101	120B-16
C166002-0103	120A- 18
C166002-0103	120B-17
C166002-0104	120A- 1A
C166002-0104	120B-18
C166002-0401	120C-17
C166005-0101	120A-49
C166005-0102	120A-53
C166005-0204	120B-45
C166005-0204	120C-46
C166005-0205	120B-46
C166005-0205	120C-47
C166005-0501	120A-49

PART NUMBER	FIGURE AND INDEX NO.
C166005-0501	120B-45
C166005-0502	120A-53
C166005-0502	120B-48
C166005-0502	120C-49
C166005-0504	120B-46
C166005-0504	120C-47
C166005-0504	120A-51
C166005-0505	120B-49
C166005-0505	120C-50
C166005-0505	120A-53
C166006-0101	120A-15
C166006-0101	120B- 1
C166006-0104	120A-15
C166006-0104	120B- 1
C166006-0104	120C- 1
C166006-0108	120A-16D
C166006-0108	120B- 4
C166006-0108	120C- 4
C166006-0109	120C- 1
C166007-0102	120A- 2
C166007-0102	120B-71
C166007-0102	120C-73
C166008-0101	120B-62
C166008-0101	120C-64
C166009-0203	119 -32
C166009-0501	120B-46
C166009-0501	120B-49
C166009-0501	120C-50
C166009-0501	120A-50
C166009-0501	120A-53
C166010-0101	120A- 7
C166010-0101	120B-52
C166010-0101	120C-54
C166010-0102	120A- 8
C166010-0102	120B-54
C166010-0102	120C-56
C166010-0103	120A- 8A
C166010-0103	120B-55
C166010-0103	120C-57
C166010-0105	120A- 7
C166010-0105	120B-52
C166010-0105	120C-54
C17312-3	124A- 4
C17313	124A- 7
C17325	124A- 2
C17326	124A- 5
C17330	124A- 3
C17331-3	124A- 6
C1904	72 -17
C1904	72A-28
C1904	72B-28
C1939	72 -32
C1939	72A-43
C1939	72B-43
C20057	81A- 1
C20057	81D- 1
C20073	81A- 3
C20073	81D- 3
C20075	81A-21
C20075	81D-21
C23150-017-4	35B- 4
C23150-017-4	46B-25
C2463	72 -13B
C2464	72 -13A
C253001-0101	49 -23
C253001-0101	52 - 8
C253001-0101	129 - 8
C262003-0204	42 - 1
C262003-0204	42A- 1
C262003-0204	42B- 1
C262003-0204	43 -20
C262003-0205	43 -20
C262003-0207	42 - 1
C262003-0207	42A- 1

PART NUMBER	FIGURE AND INDEX NO.
C262003-0207	42B- 1
C262003-0207	43 -20
C262003-0304	42 - 1
C262003-0308	42 - 1
C262023-0102	42 - 1
C262023-0102	42A- 1
C262023-0102	42B- 1
C262023-0102	43 -21
C262023-0103	43 -21
C262023-0104	42 - 1
C262023-0104	42A- 1
C262023-0104	42B- 1
C262023-0104	43 -21
C2715	72 -34
C291502-0101	68B-62
C291502-0101	106 -45
C291502-0101	118A- 1
C291502-0103	68B-62
C291502-0103	68C-65
C291502-0103	106 -45
C291502-0103	118A- 1
C292501-0102	68 -13
C292501-0102	68D- 3
C292501-0102	68E- 4
C294501-0101	95B-30
C294501-0101	95B-57
C294501-0101	117B-15
C294501-0101	117C-18
C294501-0102	117B-18
C294501-0102	117C-21
C294501-0103	117B-19
C294501-0103	117C-22
C294505-0101	113A- 8
C294505-0102	113A- 9
C2987	72A-19
C2987	72B-19
C2987	72A-21
C2987-1	72B-21
C2987-1	72A-22
C2987-2	72B-22
C2987-2	72B-22
C299505-0201	68B-59
C299505-0201	68C-62
C299505-0201	75 -28
C299505-0301	68B-59
C299505-0301	74 - 7
C299505-0301	68B-59
C299505-0501	68C-62
C299505-0501	74 -73
C299505-0501	68B-58
C299506-0103	68C-61
C299506-0103	74 -24
C299506-0103	75 -18
C299506-0103	68B-58
C299506-0201	68C-61
C299506-0201	74 -83
C299506-0201	68B-57
C299507-0201	74 - 8
C299507-0401	68B-57
C299507-0401	68C-60
C299507-0401	74 -63
C3054	72A-19
C3054	72B-19
C3092	72A-23
C3092	72B-23
C3103	72A-45
C3103	72B-45
C3105	72A-45
C3411-1	72C-41
C3411-2	72C-38
C3418	72C-22
C3901	72C-13
C3903	72C-42
C3910	72C- 1
C421001-0101	70 -19A

PART NUMBER	FIGURE AND INDEX NO.
C421001-0102	70 -19B
C431001-0101	116 - 1
C431001-0101	117 - 1
C431001-0101	117A- 1
C431001-0101	117B- 8
C482001-0101	95B-22
C482001-0101	116 - 5
C482001-0101	117 - 5
C482001-0101	117D- 4
C5FF10A568A	121 - 5
C5FF10A568A	122 - 6
C592001-0101	3 -50
C592001-0101	3A-38
C592001-0101	14 -32
C592001-0101	20 -48
C592001-0101	21 -36
C593001-0101	68B-69
C593001-0101	68C-48
C594501-0201	124A-15
C594501-0203	124A-15
C594502-0101	124A-22
C611001-0101	76A-12
C611001-0101	77B-13
C611001-0101	121 - 5
C611001-0101	122 - 6
C611501-0101	76A-11
C611501-0101	77B-12
C611501-0101	121 -34
C611501-0101	122 -33
C611501-0101	123B- 1
C611501-0102	123B- 1
C621001-0103	124A-
C622001-0102	39 - 5
C622001-0104	39 - 9
C622001-0201	3 -29
C622001-0201	3A-23
C622001-0202	3 -30
C622003-0101	3 -43
C622003-0103	2B-29
C622003-0103	2C-27
C622003-0104	3 -44
C622003-0105	2B-29
C622003-0105	2C-27
C622004-0101	3 -48
C622004-0101	121 -57
C622004-0101	122 -55
C622006-0102	3A-31
C622006-0103	3A-29
C622006-0105	3A-30
C622007-0101	3A-36
C660501-0101	70 -37
C660501-0201	70 -21
C661001-0101	67 -80
C661001-0101	68 -80
C661001-0101	68A-36
C661001-0101	116 -38
C661001-0101	117 -36
C661001-0101	117A-35
C661001-0101	117B- 3
C661001-0201	68A-36
C661001-0201	117B- 3A
C661001-0201R	68A-36
C661001-0201R	117B- 3A
C661001-0501	117C- 3
C661001-0501	68B-37
C661001-0502	117C- 3
C661001-0502	68B-37
C661001-0503	117C- 3
C661001-0503	68B-37
C661001-0504	117C- 3
C661001-0504	68B-37
C661001-0505	117C- 3
C661001-0505	68B-37
C661002-0101	67 -79

PART NUMBER	FIGURE AND INDEX NO.
C661002-0101	68 -79
C661002-0101	68A-35
C661002-0101	116 -36
C661002-0101	117 -34
C661002-0101	117A-33
C661002-0101	117B- 1
C661002-0101	68A-35
C661002-0201	117B- 1A
C661002-0201R	68A-35
C661002-0201R	117B- 1A
C661002-0301	68B-36
C661002-0301	117C- 1
C661002-0501	68B-36
C661002-0501	117C- 1
C661002-0503	68B-36
C661002-0503	117C- 1
C661002-0504	68B-36
C661002-0504	117C- 1
C661002-0505	68B-36
C661002-0505	117C- 1
C661002-0506	68B-36
C661002-0506	117C- 1
C661003-0201	68B-35
C661003-0501	68B-35
C661003-0504	68C-37
C661010-0201	68A-64
C661010-0201	68B-28
C661010-0201	102 - 1
C661010-0202	101 - 1
C661010-0207	68A-64
C661010-0207	68B-28
C661010-0207	101 - 1
C661011-0105	67 -73
C661011-0105	68 -74
C661011-0105	68A-32
C661011-0105	68B-33
C661011-0105	101 - 2
C661011-0105	102 - 2
C661011-0106	67 -73
C661011-0106	68 -74
C661011-0106	68A-32
C661011-0106	68B-33
C661011-0106	101 - 2
C661011-0106	102 - 2
C661012-0101	68B-33
C661012-0101	68C-35
C661060-0105	68B-27
C661060-0105	68C-29
C661060-0105	102 - 1
C661060-0202	68B-27
C661060-0202	68C-29
C661061-0202	68B-28
C661061-0202	101 - 1
C661061-0206	68B-28
C661061-0206	102 - 1
C661061-0210	68C-30
C661061-0210	101 - 1
C661061-0211	68C-30
C661061-0211	102 - 1
C661071-0101	68B-33
C661071-0101	68C-35
C661071-0101	101 - 2
C661071-0101	102 - 2
C661071-0102	68B-33
C661071-0102	68C-35
C661071-0102	101 - 2
C661071-0102	102 - 2
C661075-0101	68B-36
C661075-0101	68C-38
C661075-0101	117C- 1
C661075-0102	68B-36
C661075-0102	68C-38
C661075-0102	117C- 1



PART NUMBER	FIGURE AND INDEX NO.
C661075-0103	68B-36
C661075-0103	68C-38
C661075-0103	117C- 1
C661075-0104	68B-36
C661075-0104	68C-38
C661075-0104	117C- 1
C661076-0101	117C- 3
C661076-0101	68B-37
C661076-0101	68C-39
C661076-0102	117C- 3
C661076-0102	68B-37
C661076-0102	68C-39
C661076-0103	117C- 3
C661076-0103	68B-37
C661076-0103	68C-39
C661076-0104	117C- 3
C661076-0104	68B-37
C661076-0104	68C-39
C661080-0101	68B-34
C661080-0101	68C-36
C661080-0101	102 - 3
C661080-0101	101 - 3
C662001-0104	68A-39
C662001-0104	68B-40
C662001-0204	68B-40
C662035-0101	68B-40
C662035-0101	68C-42
C662037-0103	68B-40
C662037-0103	68C-42
C664501-0101	68B-50
C664501-0103	68B-50
C664501-0103	68C-46
C664508-0101	68B-39
C664508-0101	68C-41
C668020-0104	68B-42
C668020-0104	68C-43
C668020-0107	68B-42
C668020-0107	68C-43
C668501-0101	68A-48
C668501-0102	74 -61
C668501-0102	75 -44
C668501-0104	68A-48
C668501-0110	74 -61
C668501-0110	75 -44
C668501-0201	68A-48
C668501-0204	74 -61
C668501-0204	75 -44
C668501-0206	68A-48
C668501-0206	68B-49
C668501-0206	68C-45
C668501-0207	68B-49
C668501-0211	68B-49
C668501-0211	68C-45
C668507-0101	70 -20
C668540-0101	68B-38
C668540-0101	68C-40
C668540-0101	95B-28
C668540-0101	117C-17
C669502-0103	68A-42
C669502-0104	68A-42
C669502-0201	68A-42
C669502-0201	68B-43
C669502-0201	68C-42
C669502-0202	68B-43
C669502-0202	68C-48
C669502-0202	68C-48
C914	135 - 6
C915	135 - 5
D2341/90M2	72 - 5
D3098	72A-49
D3098	72B-49
D3102	72A-49
D3108/90A2	72A- 5
D3108/90A8	72A- 5

PART NUMBER	FIGURE AND INDEX NO.
D3223/90AT2	72A- 5
D3223/90AT4	72B- 5
D3223/90AT8	72A- 5
D3223/90AT8	72B- 5
D366	70 -43
D4023X.375	70 -46
ECM475127	107 -38
ECM475594	107 -31
ECM475634	107 -34
ECM476364	107 -37
ECM476474	107 -39
ECM476563	107 -30
ECM479012	107 -35
ECM479130	107 -32
ECM479132	107 -43
ECM479135	107 -36
ECM479136	107 -33
ECM479137	107 -40
ECM479138	107 -41
ECM479139	107 -42
EC1239AB	? -10
EC1675A-B	1 -14A
EC22168/A	1 -14D
EC776	1 -12
EC880	1 - 2
EQ5491S	76 -16
EQ5491S	77 -45
E33-10K	104 -54
E33-10K	105 -64
E33-10K	121 -31
FCC20068	13 - 4
FCC20068	13 - 4
FC6446	42 -37
FC6446	42A-26
FC6446	42B-35
FDC2475-50	130 - 2
F620	94 -16
GA5-375	73 -44
GA5-375	73 -45A
GA5-375	73A-54
GB59	81 - 8
GB59	81B- 8
G37	134 -80
G37	135 -73
G440404	68A-44
G440437	68B-45
G440437	68C-50
G441304	68A-43
G441344	68B-44
G441344	68C-49
G442697	68A-46
G442697	113 - 9
G442698	68A-46
G442698	113 - 9
G442702	68A-47
G442702	68B-48
G442702	68C-53
G442785	68B-47
G442785	68C-52
G442785	113 - 9
G442786	68B-47
G442786	68C-52
G442786	113 - 9
G444619	68A-45
G444619	113 - 1
G444627	68B-46
G444627	68C-51
G444627	113 - 1
G815825	68A-42
G818827	68B-43
G818827	68C-48
HE1251	111 - 8
HE1366-1	111 - 3
HE1367	111 - 1

PART NUMBER	FIGURE AND INDEX NO.
HE1367-1	111 - 1
HE1372-1	111 - 5
HE1373	111 - 7
HE1556	111 - 3
HE1558	111 - 5
HF3	74 -16
HF3	76 -39
IDI757	123A-27
IKI10-4-6	117A-25
IKI2-4	117A-31A
IKI4-4	117A-27
IKI4-8	117A-22A
IKI6-10	117A-19
IKI6-8	117A-16
IKI4-6	117A-25
IO-470-F	76 - 1
IO-520D	76 - 1
JE5	74 - 99B
J2005-2	123B- 6
J2049-1D	67 -60
J2049-1D	68 -59
J9534-20	123B- 4
J9534-20	123B-13
KM610-64	73 - 9
KM610-64	73A-10
K375-125	94B-15
LN1032X	121 -56
LN1032X	122 -54
LOCTITE5381	1 -14C
LOCTITE8721	1 -14E
LP4-20AM	42A-27
L4858-1	68A-58
L4858-1	68B-55
L4858-1	68C-59
L4858-1	67 -31
L4858-1	68 -31
MIL-P-8585	1 -14
MOR20-2	108 -31
MOR20-2	121 -31
MS100009	79 -24
MS100009	79A-14
MS100009	81 -22
MS100009	81A-36
MS100009	81B-22
MS100009	81C-17
MS100009	81D-36
MS124663	113A-27
MS15001-1	47 -28
MS15001-1	48B-26
MS15584-2	123 - 6
MS15584-2	123 -34
MS15584-2	123 -63
MS1652-16	78 -10
MS16562-12	78A- 5
MS16562-16	77 -24
MS16562-16	78 - 5
MS16624-25	110A-13
MS16624-43	97 -56
MS16625-112	40A-26
MS16625-212	43 -15
MS20002-5	40 -22
MS20002-6	40 -21
MS20002C5	40 -20
MS20002C5	40 -33
MS20002C5	40A-19
MS20002C5	41 -22
MS20002C5	41 -30
MS20002C6	40 -19
MS20002C6	40A-20
MS20002C6	41 -19
MS20002C6	113A-30
MS20074-03-3	108 - 6
MS20074-03-3	110A- 1
MS20074-03-3	110A-27

PART NUMBER	FIGURE AND INDEX NO.
MS20074-04-05	74 -97
MS20074-04-06	74 -96
MS20074-04-3	77 -19
MS20074-04-4	78 - 1
MS20074-04-4	78A- 1
MS20074-04-5	44 -25
MS20074-05-13	123B-11
MS20200KP4	21 -34
MS20200KP4	94 -18
MS20201KP6A	100 -45
MS20220-1	131 -12A
MS20220-2	131 -13
MS20220-2	131 -22
MS20220-2	131 -37
MS20220-2	132 -13
MS20220-2	132 -22
MS20220-2	132 -37
MS20220-2	# 97 -40
MS20230A2	5 -25
MS20230A2	6 -25
MS20230A2	7 - 5
MS20230A2	7 - 9
MS20230A2	7 -10
MS20230A2	7 -12
MS20230A2	7 -15
MS20230A2	7 -20
MS20230A2	7 -21
MS20230A2	7 -22
MS20230A2	7 -23
MS20230A2	7 -25
MS20230A2	7 -27
MS20230A2	7 -28
MS20230A2	8 - 5
MS20230A2	8 - 6
MS20230A2	8 - 7
MS20230A2	8 - 8
MS20230A2	8 -16
MS20230A2	8 -20
MS20230A2	8 -25
MS20230A2	8 -26
MS20230A2	8 -28
MS20230A2	8 -31
MS20230B20	84 -30
MS20230B20	84 -39
MS20230B20	85 -18
MS20230B20	85 -26
MS20253-2-3115	35B- 8
MS20253-2-695	73 -46
MS20253-2-695	73A-56
MS20253-5-100	76 - 5
MS20253-5-100	77 - 5
MS20253-5-112	# 77 - 5
MS2030A2	8 - 4
MS20364-1032C	74 -69
MS20364-1032C	74 -77
MS20364-1032C	74 -87
MS20364-1032C	74 -94A
MS20364-1032C	75 -20
MS20364-1032C	76 -39
MS20364-1032C	76 -74
MS20365-1032	125A- 3
MS20365-1032	129 -41
MS20365-1032C	87A-10
MS20365-1032C	87A-12
MS20365-1032C	129 -39
MS20365-428	122 -48
MS20365-624C	74 - 5
MS20365-624C	75 - 4
MS20365-720C	3 - 7
MS20365-720C	3A- 7
MS20365-720C	40 -10
MS20365-720C	40A-10
MS20365-720C	41 -10
MS20365-720C	121 -37

PART NUMBER	FIGURE AND INDEX NO.
MS20365-720C	122 -36
MS20365-820C	3 - 3
MS20365-820C	3A- 3
MS20365-820C	16 - 5
MS203658632C	67 -14
MS203658632C	67 -16
MS203658632C	67 -19
MS203658632C	67 -25
MS203658632C	67 -63
MS203658632C	67 -72
MS203658632C	67 -74
MS203658632C	67 -79
MS203658632C	67 -80
MS203658632C	68 -16
MS203658632C	68 -18
MS203658632C	68 -21
MS203658632C	68 -26
MS203658632C	68 -62
MS203658632C	68 -70
MS203658632C	68 -71
MS203658632C	68 -72
MS203658632C	68 -73
MS203658632C	68 -74
MS203658632C	68 -79
MS203658632C	68 -80
MS203658632C	101 - 3
MS203658632C	102 - 3
MS203658632C	67 -61
MS203658632C	68 -60
MS20366F1032	25 -38
MS20392-1C13	95 -12
MS20392-1C15	59 -12
MS20392-1C15	59A-21
MS20392-1C15	60 -41
MS20392-1C15	62 -33
MS20392-1C15	63B-12
MS20392-1C15	63C-80
MS20392-1C15	63C-80
MS20392-1C21	59 - 2
MS20392-1C21	59A- 1
MS20392-1C21	60 - 1
MS20392-1C21	61 - 1
MS20392-1C21	61 -41
MS20392-1C21	61A- 1
MS20392-1C21	61A-40
MS20392-1C21	62 - 2
MS20392-1C21	63 - 1
MS20392-1C21	63C- 1
MS20392-1C23	51 -25
MS20392-1C33	45 - 2
MS20392-1C33	46 - 2
MS20392-1C33	46A- 2
MS20392-1C33	46B- 2
MS20392-1C33	51 -22
MS20392-1C33	51A- 2
MS20392-1C37	59A-31
MS20392-1C39	62 -70
MS20392-1C49	52 - 6
MS20392-1C55	126 -78
MS20392-1C57	95 -22
MS20392-1C7	51 -19
MS20392-1C7	51A-22
MS20392-1C9	61 -48
MS20392-1C9	61A-48
MS20392-1C9	63A-23
MS20392-2C11	46 -40
MS20392-2C11	63C- 4
MS20392-2C13	87A- 4
MS20392-2C13	129 -44
MS20392-2C13	87 -13
MS20392-2C15	91 -12
MS20392-2C15	91 -34
MS20392-2C15	92 - 9
MS20392-2C15	92 -31

PART NUMBER	FIGURE AND INDEX NO.
MS20392-2C17	62 -55
MS20392-2C17	62 -62
MS20392-2C17	63 -15
MS20392-2C17	63 -39
MS20392-2C17	63A-14
MS20392-2C17	63B- 2
MS20392-2C20	62 -42
MS20392-2C21	63B- 9
MS20392-2C25	16 -12A
MS20392-2C27	63 -45
MS20392-2C31	59 - 8
MS20392-2C31	59A-16
MS20392-2C34	61 -39
MS20392-2C34	61A-38
MS20392-2C37	63C-38
MS20392-2C37	63C-58
MS20392-2C37	63C-70
MS20392-2C45	51A- 7
MS20392-2C45	63C-76
MS20392-2C47	60 -38
MS20392-2C53	16 -12
MS20392-2C53	98 -75
MS20392-2C53	99A-28
MS20392-2C7	46A-31
MS20392-2C7	46B-34
MS20392-2C83	63C-76
MS20392-2C9	46B-65
MS20392-2C9	50 -12
MS20392-2C9	98 -60
MS20392-2C9	99A-18
MS20392-3C17	63C-15
MS20392-3C47	131 -17
MS20392-3C47	132 -17
MS20392-3C49	63C-12
MS20392-3C55	131 -13
MS20392-3C55	131 -26
MS20392-3C55	131 -32
MS20392-3C55	132 -13
MS20392-3C55	132 -26
MS20392-3C55	132 -32
MS20392-4C13	90 -29
MS20392-5C65	63B-26
MS20426AD10-32	16 -10
MS20450C12-12	49 -13
MS2065-1032C	32A- 8
MS20822-2D	74 -52
MS20822-2D	76 -54
MS20822-2D	110 -16
MS20822-2D	134 -52
MS20822-3D	120A-13A
MS20822-4-4D	103 -43
MS20822-4-4D	104 -30
MS20822-4-4D	105 -28
MS20822-4-4D	117B-22
MS20822-4D	29 -33
MS20822-4D	113 -19
MS20822-4D	114 -20
MS20822-4D	114 -39
MS20822-6-2D	107 -15
MS20822-6-2D	107 -24
MS20822-6-6	116 -19
MS20822-6-6B	117 -39
MS20822-6-6B	117D- 7
MS20822-6-6B	136 -20
MS20822-6-6D	108 -12
MS20822-6D	103 -25
MS20822-6D	104 -22
MS20822-6D	104 -33
MS20822-6D	105 -20
MS20822-6D	105 -31
MS20822-6D	116 -27
MS20822-6D	117 -25
MS20822-6D	117B- 9
MS20822-6D	117C- 7

PART NUMBER	FIGURE AND INDEX NO.
MS20823-2D	116 -30
MS20823-2D	117 -28
MS20823-2D	118A-17
MS20823-2D	135 -23
MS20823-4B	113 -22
MS20823-4B	114 -15
MS20823-4D	40A-15A
MS20823-4D	104 -30A
MS20823-4D	105 -28A
MS20823-4D	113 -18
MS20823-4D	113 -21
MS20823-4D	114 -19
MS20823-4D	114 -38
MS20823-4D	126 -75
MS20823-6B	117 -42
MS20823-6B	136 -23
MS20823-6D	76 -69
MS20823-6D	76 -72
MS20823-6D	103 -37
MS20823-6D	107 -22
MS20823-6D	108 -11
MS20823-6D	117B-39
MS20823-6D	117C- 7
MS20823-8D	105 -51
MS20825-4D	67 -70
MS20825-4D	68 -70
MS20825-6D	104 -43
MS20825-6D	105 -41
MS20825-6D	120A-33
MS20825-6D	120B-11
MS20825-6D	120C-11
MS20826-3D	119 - 8
MS20826-6D	107 -17
MS20826-6D	116 -26
MS20826-6D	117 -24
MS20826-6D	117B-10
MS20826-6D	117B-13
MS20826-6D	117B-26
MS20826-6D	117C- 8
MS20913-1	106 -33
MS20913-1D	109 - 8
MS20913-1D	117B-38
MS20913-1D	117C-11
MS20913-1D	118 -16
MS20913-2D	116 -35
MS20913-2D	116 -40
MS20913-2D	117 -33
MS20913-2D	117 -38
MS20913-2D	117A-32
MS20913-2D	117B-12
MS20913-2D	117C-16
MS21044N08	24 -14
MS21044N3	6A-26
MS21044N3	6A-35
MS21044N3	6A-36
MS21044N3	13 - 6C
MS21044N3	14 -11
MS21044N3	14 -13A
MS21044N3	15 -11
MS21044N3	15 -19
MS21044N3	20 -17
MS21044N3	22 - 9
MS21044N3	22 -17
MS21044N3	23 -18
MS21044N3	24 -22
MS21044N3	25 -15
MS21044N3	30 - 4
MS21044N3	30 - 8
MS21044N3	30 -39
MS21044N3	30 -62
MS21044N3	30 -70
MS21044N3	30 -73
MS21044N3	30 -87
MS21044N3	32 - 3

PART NUMBER	FIGURE AND INDEX NO.
MS21044N3	32 - 8
MS21044N3	32 -29
MS21044N3	32A- 3
MS21044N3	32A-40
MS21044N3	35 - 9
MS21044N3	35A-45
MS21044N3	35B-18
MS21044N3	38 - 7
MS21044N3	38 -28
MS21044N3	46 -38
MS21044N3	46A-25
MS21044N3	46A-29
MS21044N3	46A-35
MS21044N3	46B-50
MS21044N3	49 - 3
MS21044N3	50 - 3
MS21044N3	52 - 5
MS21044N3	59 -21
MS21044N3	59 -27
MS21044N3	59 -31
MS21044N3	59 -35
MS21044N3	59A-14
MS21044N3	60 -20
MS21044N3	60 -59
MS21044N3	61 -22
MS21044N3	61 -61
MS21044N3	61A-21
MS21044N3	61A-61
MS21044N3	62 -60
MS21044N3	63 -18
MS21044N3	63 -89
MS21044N3	63A-13
MS21044N3	63A-21
MS21044N3	63A-21C
MS21044N3	63C- 3
MS21044N3	63C-99D
MS21044N3	65 -21
MS21044N3	70A- 6
MS21044N3	70A-10
MS21044N3	70B- 4
MS21044N3	70B- 8
MS21044N3	70B- 8
MS21044N3	70B-12
MS21044N3	71 -10
MS21044N3	71 -19
MS21044N3	74 -12
MS21044N3	74 -20
MS21044N3	74 -26
MS21044N3	74 -32
MS21044N3	75 -14
MS21044N3	75 -17
MS21044N3	75 -33
MS21044N3	75 -42
MS21044N3	76 -33
MS21044N3	76 -38
MS21044N3	76 -42A
MS21044N3	76 -87
MS21044N3	77 -69
MS21044N3	82 - 4
MS21044N3	82 -11
MS21044N3	83 - 8
MS21044N3	83 -15
MS21044N3	87 - 7
MS21044N3	87 -10
MS21044N3	87 -25
MS21044N3	87 -31
MS21044N3	87 -36
MS21044N3	88 -24
MS21044N3	88A- 9
MS21044N3	88A-20G
MS21044N3	89 - 8E
MS21044N3	89 -14
MS21044N3	89 -14C
MS21044N3	90 -19

PART NUMBER	FIGURE AND INDEX NO.
MS21044N3	90 -23
MS21044N3	90 -33
MS21044N3	90 -38
MS21044N3	90 -45
MS21044N3	91 -10
MS21044N3	91 -17
MS21044N3	91 -20
MS21044N3	91 -26
MS21044N3	91 -37
MS21044N3	91 -40
MS21044N3	92 - 7
MS21044N3	92 -14
MS21044N3	92 -17
MS21044N3	92 -23
MS21044N3	92 -34
MS21044N3	92 -37
MS21044N3	92 -40
MS21044N3	92 -41
MS21044N3	94 - 8
MS21044N3	94 -14
MS21044N3	94 -21
MS21044N3	94A-18
MS21044N3	94A-21
MS21044N3	94A-23
MS21044N3	94A-27
MS21044N3	94A-44
MS21044N3	94B- 8
MS21044N3	95 -57
MS21044N3	95A- 9
MS21044N3	95A-20
MS21044N3	95A-23
MS21044N3	96 -49
MS21044N3	97 -23
MS21044N3	97 -28
MS21044N3	97 -33
MS21044N3	97 -38
MS21044N3	97 -44
MS21044N3	97 -51
MS21044N3	98 -46
MS21044N3	98 -64
MS21044N3	98 -71
MS21044N3	99A-15
MS21044N3	99A-24
MS21044N3	100 -29
MS21044N3	100 -35
MS21044N3	101 -34E
MS21044N3	101 -45
MS21044N3	102 -30F
MS21044N3	102 -41
MS21044N3	104 -38
MS21044N3	104 -62
MS21044N3	104 -65
MS21044N3	104 -68
MS21044N3	105 -36
MS21044N3	105 -67
MS21044N3	105 -71
MS21044N3	105 -74
MS21044N3	105 -77
MS21044N3	109 -16
MS21044N3	110 -24
MS21044N3	110A-24
MS21044N3	113 -15
MS21044N3	114 -12
MS21044N3	115 -10
MS21044N3	116 - 4
MS21044N3	117 - 4
MS21044N3	117A- 4
MS21044N3	117A-36
MS21044N3	117B- 7
MS21044N3	117B-17
MS21044N3	117C-20
MS21044N3	117D-16
MS21044N3	120 -24
MS21044N3	120A-26

PART NUMBER	FIGURE AND INDEX NO.
MS21044N3	120A-42
MS21044N3	120B-28
MS21044N3	120B-30
MS21044N3	120B-32
MS21044N3	120B-38
MS21044N3	120B-78
MS21044N3	120C-31
MS21044N3	120C-33
MS21044N3	120C-39
MS21044N3	120C-80
MS21044N3	121 -10
MS21044N3	122 -11
MS21044N3	123A-23
MS21044N3	125 - 5
MS21044N3	126 -14
MS21044N3	126 -45
MS21044N3	126 -60
MS21044N3	126 -64
MS21044N3	126 -68
MS21044N3	126 -69
MS21044N3	126 -71
MS21044N3	127 -38
MS21044N3	127 -61
MS21044N3	128 -36
MS21044N3	128 -53
MS21044N3	129 -29
MS21044N3	131 -17
MS21044N3	131 -68
MS21044N3	132 -17
MS21044N3	132 -68
MS21044N3	133 - 9
MS21044N3	134 -57
MS21044N3	134 -81
MS21044N3	134 -88
MS21044N3	134 -92
MS21044N3	134 -96
MS21044N3	134 -99B
MS21044N3	134 -99F
MS21044N3	135 -49
MS21044N3	135 -74
MS21044N3	135 -83
MS21044N3	136 - 4
MS21044N3	136 -17
MS21209F1-20	94B- 3
MS21919DG10	77 -41
MS21919DG12	76 -55
MS21919DG15	115 - 9
MS21919DG2	75 -10
MS21919DG2	75 -43
MS21919DG2	76 -28
MS21919DG2	106 -42
MS21919DG2	106 -47
MS21919DG2	121 -44
MS21919DG24	76 -33
MS21919DG26	101 -34A
MS21919DG26	102 -30B
MS21919DG3	46B-23
MS21919DG3	46B-29
MS21919DG3	46B-58
MS21919DG3	104 -68
MS21919DG3	105 -77
MS21919DG3	120 -17
MS21919DG4	3 -39
MS21919DG4	76 -59
MS21919DG4	101 -52
MS21919DG4	102 -48
MS21919DG4	104 -40
MS21919DG4	105 -38
MS21919DG40	77 -70
MS21919DG5	46B-23
MS21919DG5	119 -22
MS21919DG6	4 - 3
MS21919DG6	5 - 5
MS21919DG6	6 - 5

PART NUMBER	FIGURE AND INDEX NO.
MS21919DG6	74 -91A
MS21919DG7	76 -51
MS21919DG7	76 -55
MS21919DG7	121 -13
MS21919DG7	121 -50
MS21919DG7	122 -14
MS21919DG7	122 -48
MS21919DG8	76 -62
MS21919DG8	77 -41
MS21919DG8	114 -32
MS21919DG8	136 -19
MS21919DG9	77 -58
MS21919DG9	101 -42
MS21919DG9	102 -38
MS21919D2	70A- 7
MS21919D6-11	75 -42
MS21919WDG12	134 -56
MS21919WDG9	135 -49
MS24462-4	19 -28
MS24462-4	19 -29
MS24665-132	45 - 3
MS24665-132	46 - 3
MS24665-132	46 -42
MS24665-132	46A- 3
MS24665-132	46A-30
MS24665-132	46B- 3
MS24665-132	46B-35
MS24665-132	46B-66
MS24665-132	50 -13
MS24665-132	51 -20
MS24665-132	51 -23
MS24665-132	51 -26
MS24665-132	51A- 3
MS24665-132	51A- 8
MS24665-132	51A-22
MS24665-132	52 - 7
MS24665-132	59 -15
MS24665-132	59A-23
MS24665-132	59A-32
MS24665-132	60 -38
MS24665-132	60 -41
MS24665-132	61 -39
MS24665-132	61 -41
MS24665-132	61 -49
MS24665-132	61A-38
MS24665-132	61A-40
MS24665-132	61A-49
MS24665-132	62 -31
MS24665-132	62 -42
MS24665-132	62 -55
MS24665-132	62 -64
MS24665-132	62 -70
MS24665-132	63 -15
MS24665-132	63 -39
MS24665-132	63 -45
MS24665-132	63 -63
MS24665-132	63A-14
MS24665-132	63A-23
MS24665-132	63B- 3
MS24665-132	63B- 9
MS24665-132	63B-13
MS24665-132	63B-14
MS24665-132	63C- 6
MS24665-132	63C-40
MS24665-132	63C-59
MS24665-132	63C-72
MS24665-132	63C-78
MS24665-132	63C-81
MS24665-132	65 - 5
MS24665-132	87A- 5
MS24665-132	90 -27
MS24665-132	91 - 5
MS24665-132	91 -13
MS24665-132	91 -31

PART NUMBER	FIGURE AND INDEX NO.
MS24665-132	91 -35
MS24665-132	92 - 5
MS24665-132	92 -10
MS24665-132	92 -28
MS24665-132	92 -32
MS24665-132	95 -12
MS24665-132	95 -22
MS24665-132	96 -14
MS24665-132	97 -29
MS24665-132	98 -10
MS24665-132	98 -60
MS24665-132	98 -76
MS24665-132	99 -10
MS24665-132	99 -14
MS24665-132	99A-18
MS24665-132	99A-29
MS24665-132	110A-11
MS24665-132	126 -78
MS24665-132	129 -45
MS24665-132	131 -13
MS24665-132	131 -17
MS24665-132	131 -24
MS24665-132	131 -32
MS24665-132	132 -13
MS24665-132	132 -17
MS24665-132	132 -24
MS24665-132	132 -32
MS24665-132	87 -14
MS24665-134	47 -50
MS24665-134	48B-48
MS24665-134	59 - 9
MS24665-134	59 -14
MS24665-134	59A-17
MS24665-134	59A-22
MS24665-134	62 -33
MS24665-134	62 -36
MS24665-134	63 -60
MS24665-134	63C-14
MS24665-134	73 -10
MS24665-134	73 -48
MS24665-134	87 -19
MS24665-134	90 -43
MS24665-134	95 -53
MS24665-134	96 -12
MS24665-134	96 -34
MS24665-134	96 -50
MS24665-134	97 - 5
MS24665-134	97 -15
MS24665-134	97 -19
MS24665-134	97 -24
MS24665-134	97 -39
MS24665-134	97 -45
MS24665-134	98 - 7
MS24665-134	98 -14
MS24665-134	98 -17
MS24665-134	98 -42
MS24665-134	98 -58
MS24665-134	99 - 7
MS24665-134	99 -17
MS24665-134	99A- 3
MS24665-134	99A-11
MS24665-134	104 -35
MS24665-134	127 -49
MS24665-134	128 -45
MS24665-134	134 -82
MS24665-134	135 -75
MS24665-134	46A-19C
MS24665-136	97 -34
MS24665-136	98 -38
MS24665-136	99 -38
MS24665-136	131 -13
MS24665-136	131 -17
MS24665-136	131 -25
MS24665-136	131 -32

PART NUMBER	FIGURE AND INDEX NO.
MS24665-136	131 -37
MS24665-136	132 -13
MS24665-136	132 -17
MS24665-136	132 -25
MS24665-136	132 -32
MS24665-136	132 -37
MS24665-140	95 -32
MS24665-140	95 -41
MS24665-140	96 -24
MS24665-145	105 -33
MS24665-151	59 - 3
MS24665-151	59A- 1
MS24665-151	60 - 1
MS24665-151	61 - 1
MS24665-151	61A- 1
MS24665-151	62 - 2
MS24665-151	63 - 1
MS24665-151	63C- 1
MS24665-21	95 -74
MS24665-281	90 -30
MS24665-281	109 -25
MS24665-281	110 -33
MS24665-283	47 - 4
MS24665-283	47 -24
MS24665-283	48 - 5
MS24665-283	48 -26
MS24665-283	48A- 5
MS24665-283	48A-26
MS24665-283	48B- 4
MS24665-283	48B-22
MS24665-283	63A-25
MS24665-283	63B-28
MS24665-285	59 -13
MS24665-285	59A-19
MS24665-285	62 -34
MS24665-285	91 - 3
MS24665-285	91 -29
MS24665-285	92 - 3
MS24665-285	92 -26
MS24665-287	46B-56A
MS24665-351	40 -25
MS24665-351	40A-40
MS24665-351	41 -36
MS24665-351	62 -46
MS24665-355	95 -28
MS24665-355	98 -39
MS24665-355	99 -39
MS24665-5	63 -55
MS24665-5	94A-35
MS24665-5	94A-40
MS24665-5	95 - 7
MS25171-3S	121 -12A
MS25171-3S	121 -30
MS25171-3S	121 -50
MS25171-3S	122 -31
MS25171-3S	122 -48
MS25171-3S	125 -10
MS25171-3S	125A- 8
MS25253-1	104 -54
MS25253-1	105 -64
MS25253-1	121 -31
MS28773-4	113 -41
MS28775-008	80 - 6
MS28775-008	80 -41
MS28775-009	80 - 5
MS28775-014	80 -26
MS28775-016	80 -45
MS28775-023	80 -38
MS28775-10	80 -16
MS28775-113	81A-20
MS28775-113	81D-20
MS28775-136	80 - 4
MS28777-10	113 -28
MS28777-10	115 - 6

PART NUMBER	FIGURE AND INDEX NO.
MS28778-10	115 - 5
MS28778-3	90 - 3B
MS28778-4	43 -19
MS28778-4	90 - 3B
MS28778-4	93 -12
MS28778B10	113 -27
MS28778B3	112 -25
MS28778B4	41 -15
MS28778B4	44 -40
MS29512-4	107 - 7
MS29512-6	108 -17
MS29513-10	103 -48
MS29513-10	104 -45
MS29513-10	105 -43
MS29513-10	110A-16
MS29513-10	112 -12
MS29513-111	110A- 5
MS29513-112	112 -15
MS29513-116	112 -16
MS29513-13	111 - 6
MS29513-138	110A- 6
MS29513-16	103 -53
MS29513-16	104 -50
MS29513-16	105 -48
MS29513-16	111 - 4
MS29513-18	103 -51
MS29513-18	104 -48
MS29513-18	105 -46
MS29513-18	111 - 4
MS29513-7	109 -21
MS35489-11	110 -29
MS35489-11	34 - 1
MS35489-11	35 -28
MS35489-11	84 -43
MS35489-11	120 -26
MS35489-110	84 -31
MS35489-118	84 -35
MS35489-118	85 -22
MS35489-118	119 -23
MS35489-118	121 -25
MS35489-118	122 -27
MS35489-12	84 -22
MS35489-12	85 - 8A
MS35489-13	124A-19
MS35489-134	123 -58
MS35489-14	28 -33
MS35489-14	29 -15
MS35489-14	35 -16
MS35489-14	35 -28
MS35489-14	35A-13
MS35489-14	35A-46
MS35489-14	13 -20
MS35489-14S	107 -49
MS35489-16	24 -11
MS35489-17	70 -10
MS35489-17	107 -46
MS35489-17	108 -19
MS35489-17	121 -17
MS35489-17	122 -19
MS35489-19	121 -15
MS35489-19	122 -17
MS35489-20	85 -30
MS35489-20	107 -48
MS35489-22	37 - 7B
MS35489-33	129 -31
MS35489-33S	94B-14
MS35489-4	121 -27
MS35489-4	122 -25
MS35489-4	122 -26
MS35489-4	123 -12
MS35489-4	123 -42
MS35489-4	123A-19
MS35489-48	121 -16
MS35489-48	122 -18

PART NUMBER	FIGURE AND INDEX NO.
MS35489-5	84 -43
MS35489-5	90 -16
MS35489-6	107 -47
MS35489-6	108 -20
MS35489-6S	101 -53
MS35489-6S	102 -49
MS35489-7	90 -16
MS35489-8	46B-30
MS35489-9	129 -28
MS35692-134	46B-21
MS35692-522	47 -49
MS35692-522	48B-47
MS35692-522	46A-19B
MS35692-522	46B-20
MS9021-038	76A-16
MS9021-038	77B-17
M31AS832R6C	52 -16
M74C524-12E	135 -20
NAS1080C6	30 -99C
NAS1080C6	30 -99D
NAS1080C6	32 -13
NAS1080C6	32A-14
NAS1303-23H	40A-36
NAS1304-14	126 -43
NAS1304-3	126 -43
NAS1329A06K120	5 -48
NAS1329A06K120	6 -48
NAS1329A06K75	14 -33
NAS1329A06K75	20 -49
NAS1329A06K75	21 -37
NAS1329A08K120	3 -31A
NAS1329A08K75	14 -33
NAS1329A08K75	16 -19
NAS1329A08K75	20 -49
NAS1329A08K75	21 -37
NAS1329A08K75	86 - 4
NAS145-16	17 - 1
NAS145-16	18 - 4
NAS145-35	40 -31
NAS145-35	41 -28
NAS145-38	40 -18
NAS145-45	41 -21
NAS145DH23	40A-17
NAS146-35	41 -26
NAS146-36	40 -29
NAS146-39	40 -17
NAS146-41	40 -17
NAS146-47	41 -18
NAS146DH23	40A-18
NAS178-10-6	30 -91
NAS178-8-7	30 -37
NAS178-8-7	30 -99
NAS179-10	30 -92
NAS179-8	30 -38
NAS179-8	30 -99A
NAS220-11	63C-88
NAS220-5	49 -22
NAS220-5	49 -22
NAS220-5	50 -22
NAS220-5	50 -22
NAS220-5	51 - 1
NAS220-6	70A-12
NAS220-6	70A-15
NAS220-8	120 -11
NAS220-8	131 -47
NAS220-8	132 -47
NAS221-10	70 - 3
NAS221-11	94B- 7
NAS221-13	129 - 2
NAS221-17	54 - 2
NAS221-5	134 -57
NAS221-5	135 -49
NAS221-6	35 - 8
NAS221-6	35A-45

PART NUMBER	FIGURE AND INDEX NO.
NAS221-8	6A-26
NAS221-8	14 -13A
NAS221-8	71 -15
NAS221-8	71 -24
NAS221-9	94B- 3
NAS221C-6	120 -23
NAS222-5	119 -17
NAS224-15	18 - 1
NAS228-35RH	95 -11
NAS288-35	94A-33
NAS288-35LH	95 -1C
NAS295M4	100 -10
NAS382-1	97 -22
NAS382-1	97 -27
NAS382-1	100 -33
NAS382-2	95 -52
NAS382-2	97 -48
NAS382-2	98 -30
NAS382-2	99 -30
NAS395-1-3	39 - 7
NAS395-1-3	123 -16
NAS395-1-3	123 -25
NAS395-1-3	123 -41
NAS395-10-3	19 -53
NAS395-12-3	29 -20
NAS395-12-3	29 -22
NAS395-12-3	68A-28
NAS395-12-3	69 -35
NAS395-12-3	86 - 8
NAS395-13-3	68A-42
NAS395-13-3	68B-43
NAS395-13-3	68C-48
NAS395-14-3	5 -26
NAS395-14-3	6 -26
NAS395-14-3	6A-25
NAS395-14-3	11 -13
NAS395-14-3	12A-22
NAS395-14-3	15 -35
NAS395-14-3	24 -29
NAS395-14-3	25 -21
NAS395-14-3	28 -49
NAS395-14-3	29 -32
NAS395-14-3	82 - 6
NAS395-14-3	89 -17
NAS395-16-3	5 - 4
NAS395-16-3	6 - 4
NAS395-16-3	6A-48
NAS395-16-3	6A-49
NAS395-16-3	17 -42
NAS395-16-3	18 -39
NAS395-16-3	22 -11
NAS395-16-3	22 -12
NAS395-16-3	105 -59A
NAS395-16-3	105 -59A
NAS395-16-3	124A-10B
NAS395-17-3	3 -13
NAS395-17-3	39 - 2
NAS395-17-3	69A- 8
NAS395-18-1	102B-10
NAS395-18-3	3 -15B
NAS395-18-3	3A-47
NAS395-18-3	35 -52
NAS395-18-3	35A-68
NAS395-19-3	88A-31
NAS395-3-3	123 -24
NAS395-4-3	68A-41
NAS395-5	61 -53
NAS395-5	63 -75
NAS395-5-3	24 -45
NAS395-5-3	25 -37
NAS395-5-3	102B- 6
NAS395-5-3	135 -37
NAS395-6-3	19 -54
NAS395-6-3	24 -85

PART NUMBER	FIGURE AND INDEX NO.
NAS395-6-3	28 -31
NAS395-6-3	29 -13
NAS395-6-3	35 -51
NAS395-6-3	35A-67
NAS395-6-3	53 -22
NAS396-6-3	88 - 9
NAS396-6-3	88A-26
NAS397-10	13 - 6D
NAS397-10	76 -63
NAS397-10	103 -16
NAS397-12	104 -13
NAS397-12	105 -12
NAS397-12	117A-24
NAS397-14	13 -13
NAS397-14	117A-10
NAS397-14	117A-13
NAS397-14	117A-17
NAS397-14	117A-22
NAS397-14	117D-10
NAS397-14	117D-14
NAS397-14	117D-19
NAS397-14	136 - 8
NAS397-14	136 -12
NAS397-14	136 -14
NAS397-14	136 -16
NAS397-14	# 13 -17
NAS397-14-1	116 -10
NAS397-14-1	116 -13
NAS397-14-1	116 -17
NAS397-14-1	117 -10
NAS397-14-1	117 -13
NAS397-14-1	117 -21
NAS397-16	76 -35
NAS397-16	117A-20
NAS397-16	117A-39
NAS397-16-1	77 -44
NAS397-18	76 -23
NAS397-18	88 -12
NAS397-18	88 -15
NAS397-18	88A-29
NAS397-18	88A-33
NAS397-18-1	77 -14
NAS397-22	8A-10
NAS397-28	76 -30
NAS397-28	76 -32
NAS397-32	89 -25
NAS397-50-1	89 -10
NAS397-8	36 -17
NAS397-8	37 - 7
NAS397-8	117A-28
NAS397-8	117C-26
NAS397-8	# 117B-48
NAS398-42	73 -66
NAS398-42	73A-75
NAS398-42	77 -63
NAS398-42-1	77 -36
NAS398-50	76 -45
NAS398-50	76 -50
NAS398-50	76 -58
NAS398-50	77 -61
NAS398-50	88 -20
NAS398-50	88A- 5
NAS42DD5-17	70A-22
NAS42DD5-39	70A-22
NAS42HT4-16	97 -67
NAS42HT5-36	97 -66
NAS42HT6-8	91 -31
NAS42HT6-8	92 -28
NAS428H3-6	30 -42
NAS428H3-6	38 -23
NAS43DD0-6	94B-13
NAS43DD1-18	67 -67
NAS43DD1-18	68 -67
NAS43DD1-20	68A-40

PART NUMBER	FIGURE AND INDEX NO.
NAS43DD1-20	68B-42
NAS43DD1-20	68C-43
NAS43DD2-16A	74 -62
NAS43DD3-12	51A-10
NAS43DD3-12	63A-21C
NAS43DD3-14	67 -59
NAS43DD3-14	68 -58
NAS43DD3-16	75 -12
NAS43DD3-16	75 -45
NAS43DD3-16	89 - 8D
NAS43DD3-16	90 -18
NAS43DD3-23	90 -18
NAS43DD3-24	107 - 6
NAS43DD3-3	63A-21C
NAS43DD3-5	88 -38
NAS43DD3-5	88A-20
NAS43DD3-56	90 -15A
NAS43DD3-56	115 -10
NAS43DD4-19	101 -34C
NAS43DD4-19	102 -30D
NAS43DD6-33	63B-27
NAS43HT3-12	61 - 3
NAS43HT3-12	61A- 3
NAS43HT3-12	91 -35
NAS43HT3-12	92 -32
NAS43HT3-14	74 -14
NAS43HT3-16	60 -20
NAS43HT3-16	63 -18
NAS43HT3-16	124A-24
NAS43HT3-24	76 -39
NAS43HT3-256	131 -68
NAS43HT3-256	132 -68
NAS43HT3-34	49 -30A
NAS43HT3-34	50 -28A
NAS43HT3-6	65 -20
NAS43HT3-6	66 - 3
NAS43HT3-6	74 -29
NAS43HT3-88	87 -22
NAS43HT3-9	75 -32
NAS43HT3-92	131 -68
NAS43HT3-92	132 -68
NAS43HT4-10	95 -61
NAS43HT4-10	95 -61
NAS43HT4-10	97 -50
NAS43HT4-11	65A-11
NAS43HT4-12	46A-24
NAS43HT4-12	61A-56
NAS43HT4-12	63 -84
NAS43HT4-12	63C-98
NAS43HT4-12	95 -46
NAS43HT4-16	95 -37
NAS43HT4-18	63A- 4
NAS43HT4-20	59 -34
NAS43HT4-20	61 -56
NAS43HT4-20	63 -84
NAS43HT4-20	64 -19
NAS43HT4-20	64A-17
NAS43HT4-20	95 -39
NAS43HT4-20	95 -69
NAS43HT4-22	60 -54
NAS43HT4-24	46 -48
NAS43HT4-24	95 -68
NAS43HT4-28	95 -38
NAS43HT4-40	95 -70
NAS43HT4-41	46B-44
NAS43HT4-41	46B-49
NAS43HT4-42	95 -39
NAS43HT4-47	64 -17
NAS43HT4-47	64A-15
NAS434F4	68 -17
NAS444-14	7 - 2
NAS444-14	7 - 6
NAS444-14	7 -18

PART NUMBER	FIGURE AND INDEX NO.
NAS444-14	11 -14
NAS444-14	12 -25
NAS444-14	25 - 2
NAS444-14-3	8 -21
NAS444-14-3	8A-23
NAS444-14-3	8A-28
NAS444-2	29 -19
NAS444-4	4 -23
NAS444-4	33 - 5
NAS444-4	131 -43
NAS444-4	131 -55
NAS444-4	132 -41
NAS444-4	132 -43
NAS444-4	132 -55
NAS444-4	133 -14
NAS444-4	133 -18
NAS444-4	133 -24
NAS444-4-3	5 -25A
NAS444-4-3	6 -25A
NAS444-4A	33 - 6
NAS444-5-3	126 -54
NAS444-8-3	107 -50
NAS446-1-3	57 -10
NAS446-1-3	57 -15
NAS446-1-3	57 -29
NAS446-1-3	57A- 6
NAS446-1-3	58 - 4
NAS446-1-3	67 -94
NAS446-1-3	68 -98
NAS446-1-3	68A-16
NAS446-1-3	68B-16
NAS446-1-3	123A- 7
NAS446-2-1	68C-18
NAS446-2-3	28 -51
NAS446-2-3	67 -90
NAS446-2-3	68 - 5
NAS446-2-3	68 -94
NAS446-2-3	69A- 5
NAS446-2-3	77A- 8
NAS446-2-3	84 - 4
NAS446-2-3	84 -14
NAS446-2-3	84 -20
NAS446-2-3	84 -26
NAS446-2-3	84 -38
NAS446-2-3	85 - 2
NAS446-2-3	85 - 8
NAS446-2-3	85 -12
NAS446-2-3	85 -25
NAS446-2-3	85 -48
NAS446-2-3	100 -12
NAS446-2-3	100A-10
NAS446-2-3	121 -24
NAS446-2-3	122 - 2
NAS446-2-3	122 -29
NAS446-2-3	123 - 5
NAS446-2-3	123 -10
NAS446-2-3	123 -33
NAS446-2-3	123 -37
NAS446-2-3	123 -57
NAS446-3-3	69 - 3
NAS446-3-3	69 -10
NAS446-3-3	69 -20
NAS446-3-3	69 -26
NAS446-4	104 -66
NAS446-4	105 -75
NAS446-4-3	3 -31A
NAS446-4-3	4 - 5
NAS446-4-3	5 - 7
NAS446-4-3	6 - 7
NAS446-4-3	8 -23
NAS446-4-3	8A- 9
NAS446-4-3	33 -40
NAS446-4-3	34 - 5
NAS446-4-3	34 - 9

PART NUMBER	FIGURE AND INDEX NO.
NAS446-4-3	34 -13
NAS446-4-3	34 -18
NAS446-4-3	34 -22
NAS446-4-3	34 -26
NAS446-4-3	34 -31
NAS446-4-3	34A- 4
NAS446-4-3	34A- 8
NAS446-4-3	34A-14
NAS446-4-3	34A-19
NAS446-4-3	34A-23
NAS446-4-3	74 -22
NAS446-4-3	74 -60
NAS446-4-3	74 -62
NAS446-4-3	75 -10
NAS446-4-3	75 -12
NAS446-4-3	75 -43
NAS446-4-3	75 -45
NAS446-4-3	77 -59
NAS446-4-3	83 - 5
NAS446-4-3	88 -13
NAS446-4-3	88 -27
NAS446-4-3	88A-23
NAS446-4-3	89 -14A
NAS446-4-3	106 -42
NAS446-4-3	106 -47
NAS446-4-3	107 -11
NAS446-4-3	109 -13
NAS446-4-3	110 -21
NAS446-4-3	110 -21
NAS446-4-3	114 -22
NAS446-4-3	114 -35
NAS446-4-3	119 -22
NAS446-4-3	120 -17
NAS446-4-3	121 -13
NAS446-4-3	121 -14
NAS446-4-3	121 -19
NAS446-4-3	121 -22
NAS446-4-3	121 -23
NAS446-4-3	121 -45
NAS446-4-3	121 -50
NAS446-4-3	122 -14
NAS446-4-3	122 -16
NAS446-4-3	122 -21
NAS446-4-3	122 -28
NAS446-4-3	122 -48
NAS446-4-3	135 -86
NAS446-5-3	53 - 1
NAS446-5-3	76 -18D
NAS446-5-3	77 -41
NAS446-5-3	77 -52
NAS455-163C4-8	14 -20
NAS464P4A10	70 -27
NAS464P4A6	70 -27
NAS488-1-3	125B-10
NAS514P1032-14	49 -30A
NAS514P1032-14	50 -28A
NAS557-12A	34A-11
NAS557-12A	121 -45
NAS557-12A	122 -21
NAS557-4A	33 -39
NAS557-4A	34 -14
NAS557-4A	34 -23
NAS557-4A	34A- 5
NAS557-4A	34A-15
NAS557-6A	34 -10
NAS557-6A	34 -19
NAS557-6A	34A- 1
NAS557-6A	121 -19
NAS557-6A	122 -28
NAS557-8A	34 - 6
NAS557-8A	34 -27
NAS557-8A	34A-20
NAS557-8A	121 -14
NAS557-8A	122 -16

PART NUMBER	FIGURE AND INDEX NO.
NAS561-2-10	106 -21
NAS561-2-12	60 -44
NAS561-2-12	61 -41A
NAS561-2-12	61A-41
NAS561-2-8	100A- 2
NAS561-3-10	35B-30
NAS561-3-16	63C-82
NAS561-3-16	98 -50
NAS561-3-18	49 -16
NAS561-3-18	50 -16
NAS561-3-8	61 -45
NAS561-3-8	61A-45
NAS561-3-8	100 - 8
NAS561-3-8	100 -44
NAS561-3-8	100A- 5
NAS561-3-8	131 - 3
NAS561-3-8	132 - 3
NAS561-4-9	51 -18
NAS561-5-12	90 -20
NAS561-6-18	62 -25
NAS561-6-18	62 -27
NAS561-6-18	62 -53
NAS561C2-10	59A-30
NAS561C2-10	59A-34
NAS561C2-10	103 -45
NAS561C2-8	89 - 7
NAS561C3-10	60 -51
NAS561C3-10	61 -51
NAS561C3-10	61A-51
NAS561C3-10	62 -22
NAS561C3-10	62 -67
NAS561C3-10	63 -81
NAS561C3-12	59A-27
NAS561C3-12	62 -68
NAS561P2-10	105 -58
NAS561P2-5	76 -42B
NAS561P3-8	49 -30C
NAS561P3-8	50 -28C
NAS561P3-8	62 -38
NAS561P3-8	63 -57
NAS561P4-10	46 -29
NAS561P4-10	46A-58
NAS561P4-10	62 -44
NAS561P4-10	63 -48
NAS561P4-10	63 -53
NAS561P4-10	63C-36
NAS561P4-10	63C-68
NAS561P4-10	63C-68
NAS561P4-12	62 -50
NAS561P4-12	63 -52
NAS561P4-12	63C-24
NAS561P4-12	63C-29
NAS561P4-12	63C-34
NAS561P4-12	63C-61
NAS561P4-12	63C-66
NAS561P4-15	51A-18
NAS561P4-6	51A-21
NAS561P4-8	46 -28
NAS561P4-8	46A-59
NAS561P4-8	62 -48
NAS561P4-8	63 -50
NAS561P6-12	63C-27
NAS561P6-12	78A-11
NAS561P6-18	63 -35
NAS561P6-18	63B-31
NAS561P6-18	63C-49
NAS561P6-18	63C-52
NAS561P6-18	63C-56
NAS561P6-22	63 -33
NAS561P6-22	63B- 5
NAS561P6-22	63B- 7
NAS561P6-22	63C-54
NAS561P6-28	63C-45
NAS561P8-18	63C-48

PART NUMBER	FIGURE AND INDEX NO.
NAS5611P4-8	112 - 3
NAS603-10	62 -12
NAS603-10	101 -34D
NAS603-10	102 -30E
NAS603-16	59A-38
NAS620-10	125B- 5
NAS679AA3	107 - 6
NAS679A04	104 -54
NAS679A04	105 -64
NAS679A04	134 -84
NAS679A04	134 -98
NAS679A04	135 -77
NAS679A06	4 -43
NAS679A06	46A-48
NAS679A06	46B-55
NAS679A06	47 -43
NAS679A06	48B-41
NAS679A06	55 -20
NAS679A06	56 -19
NAS679A06	67 -43
NAS679A06	67 -76
NAS679A06	67 -78
NAS679A06	68 -42
NAS679A06	68 -76
NAS679A06	68 -78
NAS679A06	68B-50
NAS679A06	68C-46
NAS679A06	69 - 7
NAS679A06	69 -16
NAS679A06	69 -23
NAS679A06	69 -31
NAS679A06	123 -53
NAS679A06	123A-18
NAS679A06	124 -13
NAS679A06	131 - 4
NAS679A06	131 - 5
NAS679A06	132 - 4
NAS679A06	132 - 5
NAS679A06	134 -27
NAS679A08	3 -25
NAS679A08	13 -34
NAS679A08	16 -15
NAS679A08	16 -15
NAS679A08	41 -43
NAS679A08	60 - 7
NAS679A08	61 - 8
NAS679A08	61A- 8
NAS679A08	63 - 7
NAS679A08	63C-85
NAS679A08	63C-88
NAS679A08	65 - 9
NAS679A08	65 -13
NAS679A08	65 -23
NAS679A08	65 -27
NAS679A08	65 -30
NAS679A08	65A- 5
NAS679A08	65A- 6
NAS679A08	66 - 7
NAS679A08	66 -11
NAS679A08	70A-12
NAS679A08	70A-15
NAS679A08	76 -62
NAS679A08	88A-35
NAS679A08	90 -15A
NAS679A08	95B- 3
NAS679A08	95B-33
NAS679A08	101 -37
NAS679A08	102 -33
NAS679A08	102A- 3
NAS679A08	102A- 6
NAS679A08	103 - 4
NAS679A08	104 -55
NAS679A08	120 -14
NAS679A08	121 -42

PART NUMBER	FIGURE AND INDEX NO.
NAS679A08	121 -53
NAS679A08	122 -41
NAS679A08	122 -51
NAS679A08	131 -36
NAS679A08	132 -36
NAS679A08	134 -40
NAS679A08	134 -66
NAS679A08	134 -75
NAS679A08	135 -57
NAS679A08	135 -79
NAS679A08	104 -58
NAS679A4	14 - 6
NAS679A4	15 - 5
NAS679A4	19 - 4
NAS679A4	19 -43
NAS679A4	20 - 3
NAS679A4	21 - 3
NAS679A4	21 -33
NAS679A4	22 -24
NAS679A4	23 -27
NAS679A4	35 -12
NAS679A4	38 -13
NAS679A4	38 -17
NAS679A4	42 -21
NAS679A4	42A-24
NAS679A4	42B-20
NAS679A4	44 -15
NAS679A4	46 -23
NAS679A4	46 -34
NAS679A4	46 -49
NAS679A4	46A-38
NAS679A4	46A-53
NAS679A4	46B-39
NAS679A4	46B-46
NAS679A4	47 -31
NAS679A4	48A-35
NAS679A4	48B-36
NAS679A4	60 -55
NAS679A4	61 -57
NAS679A4	61A-57
NAS679A4	62 - 8
NAS679A4	62 -40
NAS679A4	63 -37
NAS679A4	63 -85
NAS679A4	63 -85
NAS679A4	63B-33
NAS679A4	63C-99
NAS679A4	64 - 8
NAS679A4	64 -17
NAS679A4	64 -20
NAS679A4	64A- 3
NAS679A4	64A-15
NAS679A4	64A-18
NAS679A4	65 -36
NAS679A4	65A-12
NAS679A4	65A-12
NAS679A4	65A-15
NAS679A4	65B- 5
NAS679A4	65B- 9
NAS679A4	65B-19
NAS679A4	66 - 4
NAS679A4	66 -19
NAS679A4	70A-19
NAS679A4	70A-21
NAS679A4	74 -62
NAS679A4	75 -19A
NAS679A4	75 -34A
NAS679A4	75 -38
NAS679A4	75 -40
NAS679A4	75 -45
NAS679A4	76 -78
NAS679A4	94 - 4
NAS679A4	94A- 3
NAS679A4	94A-11

PART NUMBER	FIGURE AND INDEX NO.
NAS679A4	95 - 5
NAS679A4	95 -14
NAS679A4	95 -18
NAS679A4	95 -24
NAS679A4	95 -30
NAS679A4	95 -36
NAS679A4	95 -49
NAS679A4	96 - 3
NAS679A4	96 - 7
NAS679A4	96 -17
NAS679A4	96 -23
NAS679A4	96 -29
NAS679A4	96 -37
NAS679A4	96 -44
NAS679A4	97 -57
NAS679A4	97 -73
NAS679A4	98 -21
NAS679A4	98 -24
NAS679A4	98 -27
NAS679A4	98 -31
NAS679A4	99 -21
NAS679A4	99 -24
NAS679A4	99 -27
NAS679A4	99 -31
NAS679A4	100 -37
NAS679A4	107 - 4
NAS679A4	107 -27
NAS679A4	108 - 5
NAS679A4	108 -29
NAS679A4	110 - 6
NAS679A4	110A-21
NAS679A4	113 -39
NAS679A4	114 -26
NAS679A4	115 -16
NAS679A4	119 - 2
NAS679A4	120 - 2
NAS679A4	120A- 2
NAS679A4	120B-72
NAS679A4	120C-74
NAS679A4	121 -50
NAS679A4	126 - 9
NAS679A4	126 -43
NAS679A4	127 - 5
NAS679A4	127 -45
NAS679A4	128 - 6
NAS679A4	128 -12
NAS679A4	128 -42
NAS679A4	131 -32
NAS679A4	131 -38
NAS679A4	132 -32
NAS679A4	132 -38
NAS679A5	9 -14
NAS679A5	10 -15
NAS679A5	10A-16
NAS679A5	17 - 3
NAS679A5	30 -57
NAS679A5	30 -94
NAS679A5	30 -96
NAS679A5	30 -99B
NAS679A5	40 -23
NAS679A5	40 -32
NAS679A5	41 -23
NAS679A5	41 -29
NAS679A5	42A- 6
NAS679A5	45 -14
NAS679A5	45 -18
NAS679A5	46 -14
NAS679A5	46 -18
NAS679A5	46A-14
NAS679A5	46A-19
NAS679A5	46A-19
NAS679A5	46B-14
NAS679A5	46B-19
NAS679A5	70 -13

PART NUMBER	FIGURE AND INDEX NO.
NAS679A5	95A-13
NAS679A5	97 -44
NAS679A5	123B- 7
NAS679A5	127 -42
NAS679A5	128 -40
NAS679A5	131 -13
NAS679A5	131 -14
NAS679A5	131 -19
NAS679A5	131 -19A
NAS679A5	131 -24
NAS679A5	131 -29
NAS679A5	131 -33
NAS679A5	131 -37
NAS679A5	132 -13
NAS679A5	132 -14
NAS679A5	132 -19
NAS679A5	132 -24
NAS679A5	132 -29
NAS679A5	132 -33
NAS679A5	132 -37
NAS679A6	17 - 6
NAS679A6	18 - 3
NAS679A6	18 - 9
NAS679A6	30 -95
NAS679A6	30 -97
NAS679A6	30 -98
NAS679A6	40 -23A
NAS679A6	40 -30
NAS679A6	41 -20
NAS679A6	41 -27
NAS679A6	42 -34
NAS679A6	42B-33
NAS679A6	44 - 6
NAS679A6	76 -11
NAS679A6	98 -44
NAS679A6	99A- 5
NAS680A06	129 -32
NAS680A06	131 -51
NAS680A06	132 -51
NAS680A06K	123 -28
NAS680A08	7 -24
NAS680A08	8 -14
NAS680A08	24 - 4
NAS680A08	24 -63
NAS680A08	25 -38
NAS680A08	33 -44
NAS680A08	35 -43
NAS680A08	35A-62
NAS680A08	35B-23
NAS680A08	52 -18
NAS680A08	120 -14
NAS680A08	124A-12
NAS680A08	131 -46
NAS680A08	132 -46
NAS680A3	15 -27
NAS680A3	19 -65
NAS680A3	23 -25
NAS680A3	24 - 6
NAS680A3	24 -53
NAS680A3	25 -16
NAS680A3	30 -16
NAS680A3	30 -27
NAS680A3	30 -33
NAS680A3	32 - 9
NAS680A3	32 -22
NAS680A3	32 -33
NAS680A3	32A- 9
NAS680A3	32A-11
NAS680A3	32A-32
NAS680A3	32A-44
NAS680A3	35A-41
NAS680A3	35A-51
NAS680A3	35B-23
NAS680A3	38 -23

PART NUMBER	FIGURE AND INDEX NO.
NAS680A3	70 -19F
NAS680A3	71 -13
NAS680A3	71 -22
NAS680A3	84 -16
NAS680A3	84 -46
NAS680A3	84 -49
NAS680A3	85 - 4
NAS680A3	85 -33
NAS680A3	85 -36
NAS680A3	95 -66
NAS680A3	96 -40
NAS680A3	131 -49
NAS680A3	131 -61
NAS680A3	132 -49
NAS680A3	132 -61
NAS680A3	133 - 3
NAS680A3	133 -26
NAS680A3K	33 -25
NAS680A3K	33 -45
NAS680A4	24 -14
NAS680A4	32 -32
NAS680A4	32A-19
NAS680A4	32A-43
NAS680A4	33 -26
NAS680A4	36 - 3
NAS680A4	70 - 7
NAS680A4	126 -43
NAS680A4	127 -20
NAS680A4	128 -18
NAS680A4K	33 -24
NAS680A4K	33 -24
NAS680A4K	37 - 2
NAS682A3	51A-14
NAS682A3	105 -29
NAS682A4	30 -46
NAS682A4	30 -47
NAS682A4	59 -17
NAS686A08	6A-22
NAS686A08K	5 -25A
NAS686A08K	6 -25A
NAS686A3	21 -16
NAS686A3	30 -10
NAS686A4	22 -10
NAS686A4	22 -11
NAS686A4	24 -36
NAS686A4	32 -38
NAS686A4	32A-33
NAS687A3	32 -18
NAS687A3	103 -46
NAS687A3	104 -31
NAS687A4	24 -54A
NAS696A08	8A-40
NAS696A08K	5 -25
NAS696A08K	6 -25
NAS696A3	35B-26
NAS696A3	70 -19G
NAS696A3K	120 -19
NAS696A4	24 -45
NAS696A4	32A-18
NAS696A4	35A-47
NAS696A4	59A- 8
NAS696A4	65 -37
NAS696A4	65A-18
NAS696A4	126 -43
NAS697-A3	129 -42
NAS697A04L	33 -34A
NAS697A06L	24 -81
NAS697A06L	33 -34
NAS697A06L	33 -34A
NAS697A06L	120B-68
NAS697A06L	120C-70
NAS697A08	6A- 9
NAS697A08	17 -18
NAS697A08	27 - 6B

PART NUMBER	FIGURE AND INDEX NO.
NAS697A08	28 -55
NAS697A08	51 - 3
NAS697A08	73A-53
NAS697A08	120B-68
NAS697A08	120C-70
NAS697A08K	51A-29
NAS697A08K	68A- 7B
NAS697A08K	68B- 8
NAS697A08K	68C-11
NAS697A3	24 -45
NAS697A3	25 -37
NAS697A3	33 -42
NAS697A3	71 -21
NAS697A3	74 -29
NAS697A3	87A-13
NAS697A3	126 -24
NAS697A3	129 - 4
NAS697A3K	33 -26A
NAS697A4	24 -45
NAS697A4	25 -37
NAS697A4	65 -37
NAS697A4	65A-18
NAS697A4	126 -23
NAS697A4K	33 -26A
NAS697A5	18 - 6
NAS698A08	28 -55
NAS698A3	51A-14
NAS698A3	126 -15
NAS698A4	35A-64
NAS69808	95A-10
NAS70A128-313	51 -27
NAS70CL328-563	78 -22
NAS70CL328-563	78A- 6
NAS743-12	102 -30C
NAS76A4-024	46B-38
U-470-R	77 - 1
PA2	67 -50
PA2	68 -49
PB55	114 -27
PDM50	121 - 2
PDM50	122 - 3
PRO890	1 -148
PSM10N	68 -91
PSM10N	124 -11
PSM15N	113 -10
PSM15N	114 - 7
P2274	117B-20
P2274	117C-23
R3104T6-3	32 -13
R3104T6-3	32A-14
R3104T6-5	30 -99C
R3104T6-5	30 -99D
R561	42 -38
R561	42A-29
R561	42B-35
R5673	81 -24
R5673	81B-24
SCEETS12-36-4	74 -99
SE709	113A-36
SH15C	77B-23
SH20A	77B-23
SH200A-C	77B-23
SL300A-C	76 -64
SL300A-C	76A-17
SS58310	65A- 2
SIK5	20 -18
S10K140	129 - 4
S10K230	129 - 4
S1003-43A	91 -23
S1003-43A	92 -20
S1003-9A	112 -19
S1004-43A	94A-30
S1021A4-6	57 -14A
S1021A4-6	57A- 9

PART NUMBER	FIGURE AND INDEX NO.
S1021A4-6	61A-20
S1021A4-6	63C-9
S1021A4-6	63C-19
S1021A4-6	63C-21
S1021A6-10	68C-66
S1021A6-8	3 -51
S1021A6-8	3A-39
S1021A8-6	92 -43
S1021A8-8	3 -51
S1021Z10-10	53 - 1
S1021Z10-10	76 -51
S1021Z10-10	76 -55
S1021Z10-10	76 -61
S1021Z10-10	77 -15
S1021Z10-10	77 -45
S1021Z10-10	77 -45
S1021Z10-10	77 -59
S1021Z10-10	107 -45
S1021Z10-10	108 -18
S1021Z10-10	117 -16
S1021Z10-10	136 -19
S1021Z10-12	77 -64
S1021Z10-6	46B-24
S1021Z10-6	55 -15
S1021Z10-6	118 -14
S1021Z10-8	22 -12
S1021Z10-8	70A-22
S1021Z10-8	76 -18C
S1021Z10-8	77 -41
S1021Z10-8	77 -51
S1021Z10-8	77 -70
S1021Z10-8	117 -18
S1021Z10-8	136 -18
S1021Z4-4	49 -18
S1021Z4-4	50 -18
S1021Z4-4	57 -23
S1021Z4-4	57 -32
S1021Z4-4	57A-13
S1021Z4-4	57A-22
S1021Z4-4	58 -18
S1021Z4-4	58 -23
S1021Z4-4	58 -26
S1021Z4-4	100 - 4
S1021Z4-4	123 -15
S1021Z4-4	123A-13
S1021Z4-5	127 - 2
S1021Z4-6	32 -35
S1021Z4-6	53 - 7
S1021Z4-6	57 - 7
S1021Z4-6	57 -22
S1021Z4-6	57A- 4
S1021Z4-6	58 - 3
S1021Z4-6	58 - 8A
S1021Z4-6	58 -17
S1021Z4-6	62 -18
S1021Z4-6	67 -93
S1021Z4-6	68 -97
S1021Z4-6	70 -33
S1021Z4-6	120 -15
S1021Z4-6	120B-67
S1021Z4-6	120C-69
S1021Z4-6	123 -40
S1021Z4-6	123A- 5
S1021Z4-6	126 -45A
S1021Z4-6B	67 -10
S1021Z4-6B	68 -12
S1021Z4-8	39 - 6
S1021Z4-8	57 -10
S1021Z4-8	57 -15
S1021Z4-8	57 -29
S1021Z4-8	57A- 6
S1021Z4-8	58 - 4
S1021Z4-8	123 - 1
S1021Z4-8	123 -23

PART NUMBER	FIGURE AND INDEX NO.
S1021Z6-10	68B-67
S1021Z6-12	68A-40
S1021Z6-12	68A-41
S1021Z6-4	28 -32
S1021Z6-4	29 -14
S1021Z6-4	60 -19
S1021Z6-4	61 -21
S1021Z6-4	63 -21
S1021Z6-4	63 -24
S1021Z6-4	63A-17
S1021Z6-4	63A-19
S1021Z6-4	64 - 6
S1021Z6-6	19 -57
S1021Z6-6	19 -60
S1021Z6-6	57 -28
S1021Z6-6	57A-16
S1021Z6-6	63A-28
S1021Z6-6	67 -89
S1021Z6-6	68 -93
S1021Z6-6	69 - 2
S1021Z6-6	69 - 9
S1021Z6-6	69 -19
S1021Z6-6	69 -25
S1021Z6-6	69A- 2
S1021Z6-6	77A- 7
S1021Z6-6	84 - 3
S1021Z6-6	84 -14
S1021Z6-6	84 -19
S1021Z6-6	84 -23
S1021Z6-6	84 -25
S1021Z6-6	84 -37
S1021Z6-6	85 - 2
S1021Z6-6	85 - 7
S1021Z6-6	85 -11
S1021Z6-6	85 -24
S1021Z6-6	85 -47
S1021Z6-6	89 -31
S1021Z6-6	100 -11
S1021Z6-6	100A- 9
S1021Z6-6	102B- 5
S1021Z6-6	106 - 6
S1021Z6-6	119 -28
S1021Z6-6	120A-27
S1021Z6-6	120A-29
S1021Z6-6	120A-49
S1021Z6-6	120B-22
S1021Z6-6	120B-33
S1021Z6-6	120B-45
S1021Z6-6	120C-25
S1021Z6-6	120C-34
S1021Z6-6	120C-46
S1021Z6-6	122 - 2
S1021Z6-6	123 - 4
S1021Z6-6	123 - 9
S1021Z6-6	123 -20
S1021Z6-6	123 -22
S1021Z6-6	123 -32
S1021Z6-6	123 -36
S1021Z6-8	18 -42
S1021Z6-8	19 -48
S1021Z6-8	28 -51
S1021Z6-8	46B-28
S1021Z6-8	53 -22
S1021Z6-8	55 - 7
S1021Z6-8	55 -21
S1021Z6-8	56 -20
S1021Z6-8	59 -23
S1021Z6-8	59A-36
S1021Z6-8	60 -36
S1021Z6-8	61 -53
S1021Z6-8	63 -75
S1021Z6-8	63C-74
S1021Z6-8	68 - 5
S1021Z6-8	69A- 4

PART NUMBER	FIGURE AND INDEX NO.
S1021Z6-8	95A- 5
S1021Z6-8	100 - 2
S1021Z6-8	104 -55
S1021Z6-8	106 -18A
S1021Z6-8	121 -20
S1021Z6-8	121 -24
S1021Z6-8	122 -29
S1021Z6-8	123 -56
S1021Z6-8	124 -15
S1021Z6-8	125B- 3
S1021Z6-8	134 -34
S1021Z6-8	134 -71
S1021Z6-8	135 -48
S1021Z6-8	135 -51
S1021Z6-8	135 -63
S1021Z6-8C	88 - 4
S1021Z8-10	55 - 3
S1021Z8-10	55 -16
S1021Z8-10	56 -13
S1021Z8-10	88A-31
S1021Z8-10	88A-48
S1021Z8-10	98 -77
S1021Z8-10	99A-30
S1021Z8-10	103 - 9
S1021Z8-10	103 -21
S1021Z8-10	103 -27
S1021Z8-10	104 - 7
S1021Z8-10	104 -18
S1021Z8-10	104 -24
S1021Z8-10	105 - 7
S1021Z8-10	105 -16
S1021Z8-10	105 -22
S1021Z8-10	107 -11
S1021Z8-10	114 -34
S1021Z8-10	120A-30
S1021Z8-10	120B-22
S1021Z8-10	120C-25
S1021Z8-12	75 -12
S1021Z8-14	55 -13
S1021Z8-14	56 -10
S1021Z8-14	74 -62
S1021Z8-14	75 -45
S1021Z8-20	68A-42
S1021Z8-20	68B-43
S1021Z8-20	68C-48
S1021Z8-4	127 - 9
S1021Z8-4	127 -14
S1021Z8-5	117A-30
S1021Z8-6	3 -13
S1021Z8-6	3 -18
S1021Z8-6	3 -31
S1021Z8-6	3 -41
S1021Z8-6	3A-49
S1021Z8-6	22 -21
S1021Z8-6	34 - 4
S1021Z8-6	34 -17
S1021Z8-6	34 -25
S1021Z8-6	46B-27
S1021Z8-6	46B-29
S1021Z8-6	46B-60
S1021Z8-6	55 -14
S1021Z8-6	55 -16
S1021Z8-6	56 -10
S1021Z8-6	56 -14
S1021Z8-6	67 -15
S1021Z8-6	68 -17
S1021Z8-6	68A-27
S1021Z8-6	68A-40
S1021Z8-6	68B-42
S1021Z8-6	68C-43
S1021Z8-6	69 -34
S1021Z8-6	69A- 7
S1021Z8-6	74 -23
S1021Z8-6	75 -10

PART NUMBER	FIGURE AND INDEX NO.
S1021Z8-6	75 -42
S1021Z8-6	75 -43
S1021Z8-6	86 - 8
S1021Z8-6	88 -28
S1021Z8-6	88A-10
S1021Z8-6	100 -57
S1021Z8-6	105 -59A
S1021Z8-6	105 -59A
S1021Z8-6	106 -42
S1021Z8-6	106 -47
S1021Z8-6	109 -12
S1021Z8-6	114 -22
S1021Z8-6	119 -21
S1021Z8-6	120A-23
S1021Z8-6	120B-29
S1021Z8-6	122 -20
S1021Z8-6	122 -28
S1021Z8-6	131 -40
S1021Z8-6B	57 - 9
S1021Z8-6C	60 -13
S1021Z8-6C	61 -15
S1021Z8-6C	61A-15
S1021Z8-6C	63 -13
S1021Z8-6C	63A-11
S1021Z8-8	3 -12
S1021Z8-8	3 -15B
S1021Z8-8	3 -31A
S1021Z8-8	3 -40
S1021Z8-8	3 -52
S1021Z8-8	3A-16
S1021Z8-8	3A-19
S1021Z8-8	3A-20
S1021Z8-8	3A-47
S1021Z8-8	4 - 4
S1021Z8-8	4 -45
S1021Z8-8	5 - 4
S1021Z8-8	5 - 6
S1021Z8-8	5 -45
S1021Z8-8	6 - 4
S1021Z8-8	6 - 6
S1021Z8-8	6 -45
S1021Z8-8	6A-48
S1021Z8-8	6A-49
S1021Z8-8	8 -23
S1021Z8-8	8A- 9
S1021Z8-8	15 -37
S1021Z8-8	17 -42
S1021Z8-8	18 -39
S1021Z8-8	18 -41
S1021Z8-8	19 -52
S1021Z8-8	23 -24
S1021Z8-8	24 -64
S1021Z8-8	33 -40
S1021Z8-8	34 - 8
S1021Z8-8	34 -12
S1021Z8-8	34 -21
S1021Z8-8	34 -30
S1021Z8-8	34A- 3
S1021Z8-8	34A- 7
S1021Z8-8	34A-13
S1021Z8-8	34A-18
S1021Z8-8	34A-22
S1021Z8-8	35A-11
S1021Z8-8	39 - 3
S1021Z8-8	40 - 2
S1021Z8-8	40A- 2
S1021Z8-8	41 - 2
S1021Z8-8	54 - 2
S1021Z8-8	55 -10
S1021Z8-8	56 - 7
S1021Z8-8	56 -10
S1021Z8-8	68 -27
S1021Z8-8	68A-48
S1021Z8-8	68B-49

PART NUMBER	FIGURE AND INDEX NO.
S1021Z8-8	68C-45
S1021Z8-8	70 -19
S1021Z8-8	74 -36
S1021Z8-8	74 -59
S1021Z8-8	75 -27
S1021Z8-8	82 - 6
S1021Z8-8	83 - 4
S1021Z8-8	88 -13
S1021Z8-8	88 -26
S1021Z8-8	88A-22
S1021Z8-8	89 -14A
S1021Z8-8	89 -16
S1021Z8-8	89 -21
S1021Z8-8	89 -23
S1021Z8-8	89 -30
S1021Z8-8	102B- 9
S1021Z8-8	104 -66
S1021Z8-8	104 -67
S1021Z8-8	105 -75
S1021Z8-8	105 -76
S1021Z8-8	106 - 7
S1021Z8-8	106 -15
S1021Z8-8	110 -20
S1021Z8-8	116 -33
S1021Z8-8	117 -31
S1021Z8-8	119 -22
S1021Z8-8	120 -17
S1021Z8-8	121 -13
S1021Z8-8	121 -14
S1021Z8-8	121 -18
S1021Z8-8	121 -19
S1021Z8-8	121 -21
S1021Z8-8	121 -22
S1021Z8-8	121 -23
S1021Z8-8	121 -45
S1021Z8-8	121 -50
S1021Z8-8	122 -14
S1021Z8-8	122 -16
S1021Z8-8	122 -21
S1021Z8-8	122 -22
S1021Z8-8	122 -48
S1021Z8-8	123 -62
S1021Z8-8	124A-10A
S1021Z8-8	126 -56
S1021Z8-8	131 -40
S1021Z8-8	131 -43
S1021Z8-8	131 -56
S1021Z8-8	132 -40
S1021Z8-8	132 -43
S1021Z8-8	132 -56
S1021Z8-8	133 -15
S1021Z8-8	133 -17
S1021Z8-8	133 -23
S1021Z8-8	134 -73
S1021Z8-8	135 -85
S1021Z8-8	13 -19
S1021Z8-8	13 -19
S1021Z8-8C	65B- 6
S1021Z8-8C	105 -61
S1021Z8-8C	126 -76
S1022Z4-6B	53 - 4
S1022Z4-12B	67 -67
S1022Z4-12B	68 -67
S1022Z4-6B	68A-16
S1022Z4-6B	68B-16
S1022Z6-10	62 -19
S1022Z6-10	63 -58
S1022Z6-8	135 -37
S1022Z6-8B	68C-18
S1022Z8-6	3 -11A
S1022Z8-6	3 -18
S1022Z8-6	3A-49
S1022Z8-8	3 -11A
S1022Z8-8	3 -12A

PART NUMBER	FIGURE AND INDEX NO.
S1022Z8-8	3 -15
S1022Z8-8	3 -15A
S1022Z8-8	3 -28
S1022Z8-8	3 -49
S1022Z8-8	3A-13
S1022Z8-8	3A-14
S1022Z8-8	3A-17
S1022Z8-8	3A-22
S1022Z8-8	3A-33
S1022Z8-8	3A-42
S1022Z8-8	3A-46
S1022Z8-8	88 - 8
S1022Z8-8	88A-25
S1022Z8-8	135 -66
S1023A4-6	56 - 1
S1023A4-6	57 - 6
S1023A4-8B	68B-22
S1023A6-6C	88A-40
S1023A6-8C	70 -36
S10268G	1 -18
S10268G	89 -30
S1042-1-275	129 - 5
S1047-1	1 -20
S1047-1	35B-19
S1047-2	1 -20
S1048-2	12 -22
S1050-1	1 -48
S1050-1-3.15	127 -63
S1050-2	1 -48
S1050-3	1 -48
S1053E10T	1 -19
S1053E10T	88A-46
S1053E12T	1 -19
S1053E12T	76 -29
S1053E12T	76 -31
S1053E16T	89 -24
S1053E16T	89 -24
S1053E20T	1 -19
S1053E20T	73 -65
S1053E20T	73A-74
S1053E24T	1 -19
S1053E24T	76 -44
S1053E24T	88 -19
S1053E24T	88A- 4
S1053E28T	1 -19
S1053E32T	1 -19
S1053E7T	1 -19
S1053E8T	1 -19
S1053E8T	88 -14
S1053E8T	88 -14A
S1053E8T	88A-28
S1053E8T	88A-32
S1053E8T	88A-45
S1053K10T	1 -19
S1053K12T	1 -19
S1053K20T	1 -19
S1053K20T	77 -35
S1053K20T	77 -35
S1053K20T	77 -62
S1053K24T	1 -19
S1053K24T	76 -49
S1053K24T	76 -57
S1053K24T	77 -60
S1053K24T	89 - 9
S1053K24W	1 -19
S1053K28W	1 -19
S1053K32T	1 -58
S1055-1	1 -21
S1055-1-2.25	123 -59
S1055-1-62	129 -12
S1060-1	64 -16
S1060-14	64 -16
S1060-15	59 -32
S1060-15	60 -52

PART NUMBER	FIGURE AND INDEX NO.
S1060-15	63 -82
S1060-3	59 -32
S1066-1	68B-67
S1066-1	68C-66
S1066C1	56 - 1
S1071-1	1 -22
S1071-1	4 -43
S1071-1	5 - 3
S1071-1	6 - 3
S1071-1	6A-47
S1071-1	101 - 5
S1071-1	101 - 7
S1071-1	101 - 9
S1071-1	101 -10
S1071-1	101 -13
S1071-1	101 -14
S1071-1	101 -18
S1071-1	101 -20
S1071-1	101 -20
S1071-1	101 -47
S1071-1	101 -51
S1071-1	102 - 5
S1071-1	102 - 7
S1071-1	102 - 8
S1071-1	102 -10
S1071-1	102 -11
S1071-1	102 -15
S1071-1	102 -17
S1071-1	102 -17
S1071-1	102 -43
S1071-1	102A-11
S1071-1	102A-15
S1071-1	102A-17
S1071-1	102A-19
S1071-1-6	102A- 8
S1071-3	1 -22
S1071-4	1 -22
S1071-4	36 -17
S1071-4	37 - 6
S1071-4	102B- 2
S1071-5	1 -22
S1071G3	95A- 4
S1071G3	95A- 8
S1071G3	95B-10
S1071G3	95B-38
S1071R3	95A- 3
S1071R3	95A- 7
S1071R3	95B- 9
S1071R3	95B-37
S1072-1	134 -72
S1072-1	135 -65
S1074-1	59A- 5
S1074-1	62 - 7
S1074-1	65 -38
S1074-1	65A-17
S1078-1	1 - 7
S1078-2	1 - 8
S1078-3	1 - 9
S1078-3	31 - 3A
S1082-1	49 -27
S1082-1	50 -25
S1082-1	129 - 8A
S1082-1-18	129 -16
S1082-1-26	129 -17
S1082-1-62	129 -12
S1084-1	1 -23
S1084-1	52 -19
S1090-2	121 -54
S1090-2	122 -52
S1090-22	121 -28
S1090-22	122 -30
S1090-5	121 -54
S1091-1	121 -28
S1091-1	122 -30

PART NUMBER	FIGURE AND INDEX NO.
S1091-5	122 -52
S1093-1	15 -39
S1095-2	33 -40
S1095-2	34 -16
S1095-2	34 -24
S1095-2	34A- 6
S1095-2	34A-17
S1095-3	34 -11
S1095-3	34 -20
S1095-3	34A- 2
S1095-3	121 -19
S1095-3	122 -28
S1095-4	34 - 7
S1095-4	34 -29
S1095-4	34A-21
S1095-4	121 -14
S1095-4	122 -16
S1095-6	34A-12
S1095-6	121 -45
S1095-6	122 -21
S1102-1	67 -12
S1102-1	68 -14
S1104-3	74 -25
S1104-3	74 -70
S1104-3	74 -78
S1104-3	74 -88
S1104-3	75 -19
S1104-3	76 -42B
S1104-3	76 -91
S1106-3	15 -12
S1106-4	75 -34
S1110ET	1 -24
S1110ET	89 -29
S1110ET	89 -30
S1115-10	125A-12
S1115-11	35A-19
S1115-14	35A-18
S1115-15	35A-19A
S1115-19	35A-23
S1115-19	35A-24
S1115-19	35A-25
S1115-19	125A-10
S1115-9	35A-18
S1115-9	35A-19
S1115-9	35A-19A
S1115-9	125A-12
S1116	1 -43
S1116-1	49 -21
S1116-1	50 -21
S1117-24	40 -24
S1117-24	40A-39
S1117-24	41 -35
S1130-1	4 -43
S1130-1	5 - 3
S1130-1	6 - 3
S1130-1	6A-47
S1130-1	101 - 5
S1130-1	101 - 7
S1130-1	101 - 9
S1130-1	101 -13
S1130-1	101 -16
S1130-1	101 -18
S1130-1	101 -20
S1130-1	101 -26
S1130-1	101 -49
S1130-1	102 - 5
S1130-1	102 - 7
S1130-1	102 -10
S1130-1	102 -13
S1130-1	102 -15
S1130-1	102 -17
S1130-1	102 -23
S1130-1	102 -45
S1130-1	102A-10

PART NUMBER	FIGURE AND INDEX NO.
S1130-1	102A-12
S1130-1	102A-16
S1130-1	102A-18
S1130-1	102A-20
S1131-1	4 -43
S1131-1	5 - 3
S1131-1	6 - 3
S1131-1	6A-47
S1131-1	101 - 5
S1131-1	101 - 7
S1131-1	101 - 9
S1131-1	101 -11
S1131-1	101 -13
S1131-1	101 -15
S1131-1	101 -18
S1131-1	101 -20
S1131-1	101 -48
S1131-1	102 - 5
S1131-1	102 - 7
S1131-1	102 - 8
S1131-1	102 -10
S1131-1	102 -12
S1131-1	102 -15
S1131-1	102 -17
S1131-1	102 -44
S1131-1	102A-10
S1131-1	102A-13
S1131-1	102A-16
S1131-1	102A-18
S1131-1	102A-20
S1132-1	5 - 3
S1132-1	6 - 3
S1132-1	101 -20
S1132-1	102 -17
S1133-1	101 -18
S1133-1	101 -46
S1133-1	102 -15
S1133-1	102 -42
S1133-2	101 -26
S1133-2	102 -23
S1135-1	101 -13
S1135-1	102 -10
S1137-1	101 -50
S1137-1	102 -46
S1137-1	102A-14
S1138-1	101 - 5
S1138-1	101 - 7
S1138-1	102 - 5
S1138-1	102 - 7
S1138-1	101 - 9
S1139-1	101 -13
S1139-1	102 -10
S1141-1	28 -41
S1146-1	62 -65
S1150-30	125A-12
S1153-1	3 -38
S1153-1	46B-29
S1153-1	104 -67
S1153-1	105 -76
S1154-1	46B-26
S1155-2	106 -47
S1155-2	129 -33
S1155-3	5 - 5
S1155-3	6 - 5
S1155-3	94B-18
S1155-4	121 -23
S1155-4	122 -24
S1167-10-0404	115 - 7
S1167-10-0404	115 - 8
S1167-3-0080	90 - 2
S1167-3-0085	90 - 2
S1167-3-0100	90 - 1
S1167-4-0080	90 - 2
S1167-4-0100	40A-15

PART NUMBER	FIGURE AND INDEX NO.	PART NUMBER	FIGURE AND INDEX NO.	PART NUMBER	FIGURE AND INDEX NO.
S1167-4-0100	41 -44	S1236-4-0144	104 -52	S1255-3	67 -11
S1167-4-0100	90 - 1	S1236-4-0144	105 -62	S1255-3	68 -13
S1167-4-0120	40 -15	S1236-4-0194	113 -20	S1255-6	68 -13
S1167-4-0300	114 -31	S1236-4-0415	76 -51	S1258-1	101 -32
S1167-4-0388	77 -56	S1236-4-0440	76 -51	S1258-1	102 -29
S1167-4-0388	113 - 3	S1236-4-0440	113 - 3	S1260-1	102 -28
S1167-4-0388	114 - 3	S1236-6-0130	76 -65	S1273-1	57 -35
S1167-6-0270	76 -46	S1236C4-0134	76 -47	S1273-1	57A-21
S1167-6-0270	104 -53	S1239-13	67 -40	S1273-1	58 -28
S1167-6-0270	105 -63	S1239-13	68 -39	S1284-1	67 -95
S1167-6-0270	108 -30	S1239-13	109 - 9	S1284-1	68 -99
S1167-8-0120	106 -46	S1239-13	126 -78	S1286-1	2A-10
S1167-8-0120	110 -15	S1239-24	68A-60	S1286-1	106 -30
S1168-2-15	117 -26	S1239-24	110 -17	S1286-2	2A-10A
S1168-2-22	134 -50	S1239-24	126 -78	S1286-2	106 -30
S1168-2-22	135 -21	S1239-25	68A-59	S1286-3	2A-10
S1168-2-25	116 -28	S1239-25	88 -21	S1286-3	2C-18
S1168-2-26 3/4	74 -39	S1239-25	88A- 6	S1286-3	106 -30
S1168-2-8 1/2	74 -39	S1239-31	68B-53	S1286-4	2A-10A
S1168-4-11	114 -13	S1239-31	89 -11	S1286-4	2C-19
S1168-6-10 1/2	116 -18	S1239-37	68B-53A	S1286-4	106 -30
S1168-6-12	116 -21	S1239-37	88A- 6	S1291-8	6A-44
S1168-6-12	117 -22	S1239-4	67 -40	S1291-8	8A- 6
S1168-6-6 1/2	117 -40	S1239-4	68 -39	S1291-8	8A-41
S1168-6-6 1/2	136 -21	S1239-4	68A-60	S1294-1	68 -29
S1188-1	73 - 9	S1239-4	109 - 9	S1294-1	68A-54
S1188-1	73 -47	S1239-4	110 -17	S1294-1	74 - 7
S1189-1	52 -10	S1239-46	68B-53A	S1294-2	68B-59
S1189-1	52 -10	S1239-46	68C-57	S1294-2	74 - 7
S1189-2	52 -10	S1239-46	88A- 6	S1301-1	68A-39
S1194-1-17	52 -20	S1239-48	68B-53	S1301-1	68B-40
S1213-1	92 -42	S1239-48	68C-56	S1301-2	68A-39
S1220-4	68 -32	S1239-48	89 -11	S1301N1	67 -16
S1220-4	68A-52	S1239-48	67 -41	S1301N2	68 -18
S1220-4	74 - 8	S1239-6	68 -40	S1302N1	67 -71
S1220-9	68B-57	S1240-5	67 -27	S1302N1	68 -71
S1220-9	74 - 8	S1240-5	68A-61	S1302N1	68A-33
S1222-1	67 -29	S1240-5	106 -45	S1304N1	68 -70
S1222-1	75 -28	S1240-5	118A- 2	S1304N2	67 -70
S1222-13	68A-54	S1240-6	67 -31	S1304N2	68 -70
S1222-13	75 -28	S1240-6	68 -31	S1304N2	68A-34
S1222-16	68B-59	S1240-6	68A-58	S1304N2	68B-34
S1222-16	75 -28	S1241-17	68B-56	S1304N2	102 - 3
S1223-4	67 -30	S1241-17	104 -36	S1304N2	101 - 3
S1223-4	75 -18	S1241-17	105 -34	S1305-11	68A-40
S1223-5	68 -30	S1241-3	68A-57	S1305-11	68B-42
S1223-5	68A-53	S1241-3	89 -11	S1305-8	68A-40
S1223-5	74 -24	S1241-38	68B-56	S1305-8	68B-42
S1223-5	75 -18	S1241-38	104 -36	S1305-9	68A-40
S1223-8	68B-58	S1241-38	105 -34	S1305N3	67 -13
S1223-8	74 -24	S1241-40	104 -59	S1305N8	67 -13
S1223-8	75 -18	S1241-40	105 -68	S1305N9	68 -15
S1230-11	68B-60	S1241-7	67 -42	S1307N2	67 -19
S1230-11	68C-63	S1241-7	68 -41	S1309N1	67 -80
S1230-11	75 -11	S1241-7	89 -11	S1309N1	68 -80
S1230-2	67 -26	S1241-8	104 -36	S1309N1	116 -38
S1230-2	68 -27	S1241-8	105 -34	S1309N1	117 -36
S1230-2	74 -17	S1241-9	68A-51	S1309N1	117A-35
S1230-6	68A-55	S1241-9	104 -36	S1310N1	68 -21
S1230-6	68A-56	S1241-9	105 -34	S1311-1	68A-42
S1230-6	74 -17	S1243-4	65 -32	S1311-1	68B-41
S1230-6	75 -11	S1243-5	65 -31	S1311-3	68B-41
S1232-10	68D- 5	S1243-6	66 -20	S1311-3	68C-44
S1232-10	68D- 7	S1245-1	87 - 1	S1311N1	67 -24
S1232-15	68D-12	S1245-2	87 - 2	S1313N1	67 -73
S1232-20	68D- 8	S1245-3	87 - 1	S1313N1	68 -74
S1234-1	67 -32	S1249-1	46B-40	S1313N1	68A-32
S1234-1	68A-52	S1249-1	68A-50	S1313N1	101 - 2
S1234-1	75 -39	S1249-1	68B-52	S1313N1	102 - 2
S1234-6	68B-57	S1249-1	68C-55	S1314N1	67 -73
S1234-6	68C-60	S1249-1	87 -26	S1314N1	68 -74
S1234-6	75 -39	S1249-1	120A-43	S1314N1	68A-32
S1236-3-0294	74 -48	S1249-1	120B-39	S1314N1	101 - 2
S1236-3-0294	76 -54	S1249-1	120C-40	S1314N1	102 - 2
S1236-4-0144	76 -47				

PART NUMBER	FIGURE AND INDEX NO.
S1316N1	67 -79
S1316N1	68 -79
S1316N1	116 -36
S1316N1	117 -34
S1316N1	117A-33
S1317N1	67 -74
S1317N1	68 -73
S1317N1	68A-38
S1317N1	68B-39
S1317N2	67 -43
S1320-1	68 -42
S1320-1	68 -72
S1321N2	101 - 1
S1321N2	67 -72
S1324N2	128 -51
S1324N2	67 -72
S1324N3	102 - 1
S1324N3	67 -72
S1324N6	102 - 1
S1324N6	119 - 9
S1325N1	67 -80
S1326N1	68 -80
S1326N1	67 -79
S1327N1	68 -79
S1327N1	1 -25
S1346-1	1 -44
S1356	52 -11
S1359-8	67 -46
S1360-10	67 -47
S1360-10	67 -48
S1360-10	67 -49
S1360-10	68 -46
S1360-10	68 -47
S1360-10	68 -48
S1360-10	68D- 5
S1360-10	68D- 7
S1360-10L	68E-10
S1360-10L	68E-12
S1360-10L	68E-13
S1360-15	68 -45
S1360-15	68D-12
S1360-15L	68E- 9
S1360-15L	68E-13
S1360-20	67 -45
S1360-20	68 -44
S1360-20	68D- 8
S1360-20L	68E-11
S1360-5L	68E-13
S1360-5L	68E-14
S1360-50	67 -44
S1360-50	68 -43
S1360-50	68D- 6
S1362-12	57A-11
S1362-5	57 -17
S1362-5	57 -36
S1362-5	58 -10
S1362-6	57 -17
S1362-6	57 -36
S1365-1	67 -81
S1365-1	68 -81
S1366-1	1 -26
S1366-2	1 -26
S1366-3	1 -26
S1367-1	121 -48
S1372-1	68A-47
S1372-1	68B-48
S1372-1	68C-53
S1372-1	76 -24
S1372-1	77 -17
S1378-1	1 -27
S1378-2	1 -27
S1378-2	49 -35
S1378-2	50 -33
S1384N1	67 -73

PART NUMBER	FIGURE AND INDEX NO.
S1384N1	68 -74
S1385N1	67 -70
S1385N1	68 -70
S1387N2	67 -72
S1387N3	67 -72
S1388N2	68 -72
S1389-1	1 -28
S1389-2	1 -28
S1389-2	31 - 3
S1389-3	1 -28
S1389-4	1 -28
S1389-5	1 -28
S1389-5	31 - 3A
S1389-6	1 -28
S1389-6	31 - 2
S1389-7	1 -28
S1390-5	123 -46
S1392N1	67 -70
S1392N1	68 -70
S1392N1	68A-34
S1392N1	102 - 3
S1392N1	101 - 3
S1392N2	68B-34
S1393-1	68A-41
S1393N1	68 -89
S1397-1	2 -28
S1397-1	2A-17
S1397-1	73 -48
S1397-4	2 -28
S1397-4	2A-17
S1397-4	2B-20
S1397-4	2C-20
S1398-1	1 -29
S1398-1	120C-29
S1398-2	1 -30
S1398-2	120C-30
S1398-2-218.00	46B-31
S1399-1	120A-54
S1399-1	120B-15
S1399-1	120C-15
S1407-6	68A-25
S1407-6	69 -36
S1413N1	68A-33
S1413N1	68B-35
S1413N2	68B-35
S1413N2	68C-37
S1414N1	67 -25
S1414N1	68 -26
S1414N1	68A-37
S1414N1	68B-38
S1414N1	95B-28
S1414N1	116 - 6
S1414N1	117 - 6
S1414N1	117A- 6
S1414N1	117B-24
S1414N1	117C-17
S1414N1	134 -54
S1414N1	135 -19
S1415-1	1 -31
S1416-1	68D- 2
S1426-2	50 - 7
S1426-2	50 - 9
S1430-1	53 -19
S1432N1	67 -73
S1432N1	68 -74
S1432N1	68A-32
S1432N1	101 - 2
S1432N1	102 - 2
S1433-1	124 - 8
S1433-2	72 -38
S1438-2	92 -28
S1438-2	120A-41
S1438-2	120B-37
S1438-2	120C-38

PART NUMBER	FIGURE AND INDEX NO.
S1438-2	121 -56
S1438-2	122 -54
S1441-1	1 -32
S1441-1	35B- 7
S1441-2	1 -32
S1441-2-5.56	88 -35
S1441-2-5.56	88A-17
S1441-3	1 -32
S1443-3	12 -21
S1450-3-10-032	13 - 6C
S1450-3-10-032	74 -15A
S1450-3-10-032	74 -27A
S1450-3-10-032	74 -67
S1450-3-10-032	74 -85
S1450-3-10-032	75 -21A
S1450-3-10-032	76 -39
S1450-3-10-032	76 -42
S1450-3-10-1032	74 -75
S1450-3-10-32	76 -89
S1450-5A24-040	88A-20E
S1450-5H14-040	123B-12
S1450-5H14-063	123B- 3
S1450-6-14-080	121 -41
S1450-6-14-080	122 -40
S1450-6-14-080	123B-10
S147	125 -16
S1470N2	67 -72
S1470N2	126 -78
S1470N3	67 -72
S1470N3	102 - 1
S1470N6	67 -72
S1470N6	68A-31
S1470N6	68B-27
S1470N6	102 - 1
S1471N2	68 -72
S1471N2	68A-31
S1471N2	101 - 1
S1471N9	68A-31
S1471N9	68B-27
S1471N9	101 - 1
S1472N1	117A-35
S1473N1	117A-35
S1476N1	117A-33
S1483-1	50 -28B
S1483-2	49 -30B
S1485D12U	76 -55
S1485D12U	77 -15
S1485D12U	77 -59
S1485D12U	136 -18
S1485D14L	77 -45
S1485D14L	77 -64
S1485D14U	77 -70
S1485D16L	76 -61
S1485D16U	76 -55
S1485D16U	77 -64
S1485D17U	88A-47
S1485D20L	76 -61
S1485D20L	77 -45
S1485D4L	126 -76
S1485D4U	68 -17
S1485D4U	68 -27
S1485D4U	68A-40
S1485D4U	68B-42
S1485D4U	68C-43
S1485D4U	70 -18
S1485D4U	89 -14A
S1485D5U	119 -21
S1485D5U	120A-22
S1485D5U	120B-29
S1485D6U	103 - 9
S1485D6U	104 - 7
S1485D6U	105 - 7
S1485D6U	106 - 5
S1485D8U	70 -18

PART NUMBER	FIGURE AND INDEX NO.
S1485D9U	46B-59
S1486DG12U	136 -19
S1486DG2U	68A-48
S1486DG2U	68B-49
S1486DG2U	68C-45
S1486DG3U	74 -58
S1486DG5L	74 -35
S1486DG5U	75 -27
S1486DG5U	120A-30
S1486DG5U	120B-22
S1486DG5U	120C-25
S1486DG5U	121 -21
S1486DG6L	116 -34
S1486DG6L	117 -32
S1486DG7U	121 -18
S1486DG7U	122 -20
S1486DG8L	114 -33
S1486DG8L	117A-31
S1486DG8U	122 -22
S1486DG8U	13 -18
S1486DG8U	13 -18
S1487-4	76 -51
S1489-2	120A-20
S1489-2	120B-26
S1494-6	95A- 6
S1494-6	95B- 8
S1494-6	95B-36
S1494-7	95B-18
S1494-8	102B- 3
S1494-9	95B-47
S1495-10	1 -33
S1495-10	94A-42A
S1495-10	117A-18
S1495-10	117A-38
S1495-3	40 -12A
S1495-3	40A-12A
S1495-4	1 -33
S1495-4	95B-16
S1495-4	95B-17
S1495-4	114 -13
S1495-4	117A-26
S1495-4	117B-23
S1495-4	117B-25
S1495-4	117B-30
S1495-4	117B-31
S1495-4	117B-34
S1495-4	117B-35
S1495-4	117B-41
S1495-4	117B-42
S1495-4	117C-12
S1495-4	117C-14
S1495-6	1 -33
S1495-6	46B-50
S1495-6	76 -63
S1495-6	95B-48
S1495-6	95B-49
S1495-6	95B-55
S1495-6	95B-56
S1495-6	104 -12
S1495-6	105 -11
S1495-6	117A-23
S1495-6	117B-14
S1495-6	117B-21
S1495-6	117B-27
S1495-6	117B-28
S1495-6	117B-32
S1495-6	117B-33
S1495-6	117B-36
S1495-6	117B-37
S1495-6	117B-40
S1495-6	117B-44
S1495-6	117B-45
S1495-6	117B-46
S1495-6	117C- 5

PART NUMBER	FIGURE AND INDEX NO.
S1495-6	117C- 5A
S1495-6	117C- 5A
S1495-6	117C- 6
S1495-6	117C- 9
S1495-6	117D- 6
S1495-6	117D-22
S1495-6	116 -18
S1495-6	116 -21
S1495-6	117 -22
S1495-6	117 -40
S1495-8	1 -33
S1495-8	13 - 6D
S1495-8	13 -15
S1495-8	117A- 8
S1495-8	117A-12
S1495-8	117A-15
S1495-8	117A-21
S1495-8	117D- 9
S1495-8	117D-13
S1495-8	117D-18
S1496-6A	117D- 5
S1497-4	95B-26
S1497-4	114 -13
S1497-4	117B-51
S1497-4	117C-25
S1497-6	95B-50
S1497-6	116 -18
S1497-6	116 -21
S1497-6	117 -22
S1497-6	117 -40
S1497-6	117B-50
S1497-6	117C-24
S1497-6	117D-23
S1500	2 -51
S1500	2A-31
S1500	2B-51
S1500	2C-41
S1501-1	123A- 9
S1505-3	123B-16
S1517-2	74 -62
S1517-2	75 -45
S1517-4	74 -62
S1517-4	75 -45
S1517-4	126 -78
S1520-1	120A-19
S1520-1	120B-66
S1520-1	120C-68
S1526-1	120A-19
S1529-1	120A- 9
S1529-1	120B-56
S1529-1	120C-58
S1551-1	63B-17
S1554-1	63B-22
S1572-1	87 - 1
S1573-3	110A- 3
S1579-1	121 - 9
S1579-1	122 -10
S1588-1	13 -31
S1590-4A	76 -56
S1590-4A	117D-21
S1592-1A	120A-27
S1592-1A	120A-29
S1592-1A	120B-22
S1592-1A	120B-33
S1592-1A	120C-25
S1592-1A	120C-34
S1592-1A	124 -15
S1592-1B	46B-28
S1592-2A	95A- 5
S1592-2A	104 -55
S1592-2A	106 -18A
S1592-2A	134 -69
S1592-2A	135 -62
S1592-3A	135 -50

PART NUMBER	FIGURE AND INDEX NO.
S1592-3B	121 -20
S1592-4A	135 -48
S1596-60	68D- 6
S1596-60L	68E- 8
S1597-1-30.8	76A-13
S1597-1-30.8	77B-14
S1597-1-30.8	121 -46
S1597-1-30.8	122 -43
S1597-1-30.8	123B-14
S1597-1-31.2	76A-13
S1597-1-31.2	77B-14
S1597-1-31.2	121 -46
S1597-1-31.2	122 -43
S1600	2 -51
S1600	2A-31
S1600	2B-51
S1600	2C-41
S1605-3	67 -15
S1605-3	68 -17
S1605-3	68A-40
S1605-3	68B-42
S1605-3	68C-43
S1611-1	1 -34
S1613-3-75	92 -40
S1613-3-75	95A- 4A
S1614	1 -45
S1616-6LL-	117B-43
S1616-6LL-	117B-47
S1616-6LL-10.00	117B-11
S1616-6LL-3.62	117B- 8
S1618B3	60 -52
S1618B3	63 -82
S1618D1	64 -16
S1618D3	60 -52
S1618D3	63 -82
S1620B2	65 -32
S1620B5	65 -31
S1620D2	65 -32
S1620D5	65 -31
S1620D5	65A- 8
S1635-1	1 -35
S1635-1	1 -35
S1635-3	1 -35
S1636-1	1 -36
S1636-2	1 -36
S1636-3	1 -36
S1637-1	1 -37
S1637-1	122 -46
S1637-2	1 -38
S1637-2	121 -48
S1637-2	122 -46
S1638-1	1 -39
S1638-1	121 -49
S1638-1	122 -47
S1638-1	124A- 8
S1638-1	124A-14
S1638-2	1 -40
S1638-2	121 -49
S1638-2	122 -47
S1638-2	124A-13
S1638-2	124A-18
S1638-2	124A-18
S1638-2	124A-25
S1640-12	1 -41
S1640-15	1 -41
S1640-6	1 -41
S1640-9	1 -41
S1640-9	121 -49
S1640-9	121 -49
S1640-9	122 -47
S1641-12	1 -42
S1641-15	1 -42
S1641-6	1 -42
S1641-9	1 -42

PART NUMBER	FIGURE AND INDEX NO.
S1641-9	122 -47
S1646-1	88 - 3
S1656-26	2 - 4
S1656-6	2A- 1
S1656-7	2 - 4
S1660-1	121 -50
S1660-1	122 -48
S1668-1	68A-62
S1668-1	68B-63
S1668-1	68C-67
S1673-1	121 -30
S1673-1	122 -31
S1674-1	92 -15
S1675-1	92 -16
S1693-2	68B-69
S1693-2	68C-48
S1693-2	88A-50
S1693-2	121 -10
S1693-2	121 -30
S1693-2	121 -50
S1693-2	122 -11
S1693-2	122 -31
S1693-2	122 -48
S1710-1	90 -44
S1710-1	95A-16
S1711-1	113 -44
S1713-1	28-26
S1713-1	2C-26
S1714-1	2B-25
S1714-1	2C-25
S1721-12	120B-61
S1721-12	120C-63
S1724-1	120B-60
S1724-1	120C-62
S1728-1	88A-36
S1746D1	64 -16
S1746D2	61 -54
S1746D6	65 -32
S1746D8	65A- 8
S1746W1	64A-14
S1746W2	61A-54
S1746W2	63C-96
S1746W27	65A- 8
S1746W5	65B-14
S1746W6	65 -32
S1752-1	68B-62
S1752-1	106 -45
S1752-2	118A- 2
S1752-2	68B-55
S1760-1	68B-61
S1760-1	68C-64
S1760-1	68D- 9
S1760-1	68D-10
S1760-1	89 -28
S1760-1	95B-21
S1760-1	95B-43
S1760-1	101 -31
S1760-1	102 -28
S1760-3	68D- 2
S1762-2	57 -10
S1762-2	57 -15
S1762-2	57 -29
S1762-2	57A- 5
S1776-1	28 -41
S1776-3	28 -41
S1780-8	88A-20A
S1791-1	68B-61
S1791-1	68C-64
S1791-1	95B-20
S1791-1	95B-42
S1793-1	95B- 7
S1793-1	95B-40
S1793-2	95B-46
S1794-1	95A- 6

PART NUMBER	FIGURE AND INDEX NO.
S1794-1	95B- 6
S1794-1	95B-35
S1794-1	95B-53
S18-30	94 - 5
S18-30	94A- 6
S1800-1	95B- 1A
S1800-1	95B- 4
S1800-1	95B- 5
S1800-1	95B-11
S1800-1	95B-12
S1800-1	95B-13
S1800-1	95B-14
S1800-1	95B-15
S1800-1	95B-19
S1800-1	95B-31A
S1800-1	95B-34
S1800-1	95B-39
S1800-1	95B-41
S1800-1	95B-44
S1800-1	95B-45
S1800-1	95B-51
S1800-1	95B-52
S1800-1	95B-54
S1801-1	95B-25
S1802-2	95B-24
S1807-1	121 -10
S1807-1	121 -30
S1807-1	121 -50
S1807-1	122 -11
S1807-1	122 -31
S1807-1	122 -48
S1807-2	121 -30
S1807-2	122 -31
S1809-1	130 - 2
S1810-550	40A-15
S1810-800	40 -15
S1819-3	14 -12
S1822-1	94A-49A
S1834-1	88A-20B
S1853-1	129 - 8A
S1853-1	129 -13
S1853-1	129 -21
S1853-3	73 -34
S1853-3	73A-38
S1853-4	73 -64
S1853-4	73A-73
S1853-4	77 -33
S1853-4	78 -13
S1853-4	78A-13
S1853-4	129 - 8
S1853-4	129 -24
S1860-2	12A-24
S1860-2A	8 -32
S1860-2A	8A- 7
S1860-2A	12A-17
S1860-2A	12A-19
S1860-2A	12A-20
S1860-2A	12A-23
S1860-2A	12A-25
S1860-2A	24 - 4
S1860-2A	35 -41
S1860-2A	35A- 9
S1862-2	33 -35
S1862-2A	33 -43
S1863-3	5 -45
S1863-3	8A- 4
S1863-3	30 -10
S1863-3	33 -31
S1863-3	35B-24
S1863-3	131 -41
S1863-3	131 -41
S1863-3A	19 -35
S1874-1C	69A-10
S1876-1	67 -43

PART NUMBER	FIGURE AND INDEX NO.
S1876-1	68 -42
S1876-1	123 -17
S1876-1	123 -38
S1876-1	123A-24
S1891-10	13 -11
S1891-10	13 -21
S1891-10	104 -14
S1891-10	106 - 1
S1891-48	74 -95
S1891-48	74 -98
S1894-3	68A-47
S1894-3	68B-48
S1894-3	68C-53
S1895-1	69A- 3
S1898-2	57A-12
S1908-7	3A-21
S1913-1	104 -54
S1913-1	105 -64
S1914-8	60 - 9
S1914-8	60 -35
S1914-8	61 -10
S1914-8	61 -37
S1914-8	61A-10
S1914-8	61A-36
S1914-8	63 - 9
S1914-8	63 -73
S1914-8	63A- 7
S1914-8	63B-20
S1914-8	63C-93
S1918-1	102 -28
S1930-1	104 -55
S1931-1	121 -31
S1931-8	52 -16
S1939-1	70 - 7A
S1950-4	57A-19
S1957-2	60 -46
S1957-2	61 -53
S1957-2	61A-53
S1957-2	63 -75
S1957-2	63A-29
S1957-2	63C-11
S1958-1	46B-56
S1959-1	94A-49A
S1959-2	94A-49A
S1964-3	77 -72
S1974-1	68B-62
S1974-1	68C-65
S1974-1	106 -45
S1974-1	118A- 2
S1981-1	68E- 6
S1981-1	68E- 6A
S1981-1	68E- 7
S1981-1	94B-10
S1981-1	101 -31
S1981-5	102A- 7
S1982-1	68B-55
S1982-1	68C-59
S1985-1	94A-50A
S1988-1	116 -22
S1988-1	117 -43
S1988-1	117D- 3
S1988-1	136 -24
S1991-1	121 -30
S1991-1	122 -31
S1994-1-1	68E- 2
S2013L2	63C-34A
S2014-2	1 -16
S202RB	3 -19
S202RB	3A-50
S202RB	17 -39
S202RB	18 -40
S202RB	19 -63
S202RB	19 -64

PART NUMBER	FIGURE AND INDEX NO.	PART NUMBER	FIGURE AND INDEX NO.	PART NUMBER	FIGURE AND INDEX NO.
S202RB	35 -18	S226-2	12A-23	S378-2	97 -20
S202RB	58 -16	S226-3	24 -28	S378-2	97 -25
S202RB	77A- 6	S226-3	25 -21	S378-2	97 -30
S202RB	77A- 6	S226-3	28 -49	S378-2	97 -40
S202RB	77A- 6	S226-3	29 -31	S378-3	99 -22
S202RB	77A-11	S226-5	35 -40	S378-3	131 -32
S202RB	77A-13	S226-5	35A- 9	S378-3	131 -38
S202RB	84 - 6	S226-5F	8 -10A	S378-3	132 -32
S202RB	84 -11	S226-5F	8 -11A	S378-3	132 -38
S202RB	85 -50	S226-5F	8 -32	S378-3L	35 -10
S202RB	129 -26	S226-5F	12 - 7A	S378-3L	95 -48
S202VM	1 -16	S226-5F	12 - 7B	S378-3L	96 -15
S202VM	35A-40	S226-5F	12 -23	S378-3L	96 -19
S2020-1	104 -51B	S226-5F	12 -24	S378-3L	98 -22
S2020-1	105 -49B	S226-5F	12 -25	S378-4	94A-10
S2024-1	88 -33	S237	11 -12	S378-4	95 -13
S2024-1	88A-15	S237-1	127 -24	S378-4	95 -17
S2029-1	70 - 1	S237-1	128 -22	S378-4	95 -23
S2055-1-1	68E-17	S237-2	12A-21	S378-4	95 -29
S2070W103	61A-54	S237-2	12A-22	S378-4	95 -33
S2070W103	63 -82	S237-4	15 -34	S378-4	95 -35
S2070W103	63C-96	S272-17	113A-21	S378-4	97 -46
S2070W112	64A-14	S272-207	112 - 7	S378-4	98 -18
S2070W112	65A- 8	S272-211	112 -11	S378-4	98 -25
S2070W118	65 -32	S272-220	112 -14	S378-4	99 -18
S2070W201	70 -25	S290D1032	88A-20D	S378-4	99 -25
S2070W204	70 -26	S290D832	3 -15A	S378-5	98 -43
S2070W207	70 -25	S290D832	3A-43	S378-5	99A- 4
S2071-1	102A- 9	S290D832	3A-46	S382-2	68 -88
S2074-1	70 -28	S290D832	67 -82	S392-1	68 -90
S2076-1	70 -31	S290D832	68 -82	S392-1	68D- 4
S2081-1	70 -34	S292-1	1 -17	S392-1	68E- 5
S2081-2	70 -35	S292-11	1 -17	S394	46 -35
S2092-3	1 -49	S292-12	1 -17	S394	46A-21
S2092-4	1 -50	S292-12	13 - 9	S394	46A-32
S2093-1	94B-22	S292-14	1 -17	S394	95 -42
S2116-1	102A- 4	S292-14	125A- 8	S394	95 -64
S2122-1	68E-14	S292-16	1 -17	S394	97 -35
S2122-2	68E-14	S292-2	1 -17	S430-1	101 -40
S2135-1	68B-68	S292-28	1 -17	S430-1	102 -36
S2135-1	68C-47	S292-3	1 -17	S5A200	73 -15
S2160-1	68E-16	S292-4	1 -17	S5A200	73A-18
S2160-1	101 -31	S292-5	1 -17	S51-10	1 -15
S2160-3	68E-15	S292-6	1 -17	S51-12	1 -15
S2163-1	68C- 7	S292-8	1 -17	S51-12	45 -19
S2163-3	68C- 8	S338-7	128 - 1	S51-12	46 -19
S225-1	3A-18	S339-2	128 - 1	S51-12	46A-20
S225-1	3A-19	S347-1	28 -41	S51-12	46B-22
S225-1	22 -20	S349	29 -33	S51-12	76 -22
S225-1	22 -21	S349	25 -23	S51-12	77 -13
S225-1	23 -21	S349	35 -42	S51-16	1 -15
S225-1	23 -23	S349	38 -33	S51-32	1 -15
S225-1	27 - 7	S349	127 -23	S51-4	1 -15
S225-1	126 -72	S349	128 -21	S51-6	1 -15
S225-1	127 -25	S350	31 - 7	S51-6	103 -15
S225-1	128 -23	S350	119 -21	S51-8	1 -15
S225-1	131 -58	S351	74 - 9	S51-8	116 - 8
S225-1	132 -58	S351	75 -30	S51-8	116 -12
S225-2	3A-12	S352	34 - 2	S51-8	116 -15
S225-2	3A-13	S354-1	34 - 3	S51-8	117 - 8
S225-3	15 -36	S354-2	108 - 9	S51-8	117 -12
S225-4	35A-10	S354-3	108 -10	S51-8	117 -19
S225-4F	3 -11	S354-3	110 - 3	S51-8	136 - 6
S225-4F	3 -11A	S354-5	34A- 9	S51-8	136 -10
S225-4F	3 -12A	S354-5	34A-16	S51-8	136 -13
S225-4F	3 -11	S355	67 -56	S5508	121 -33
S225-5	3 -12	S355	68 -55	S5508	122 -44
S225-6	134 -73	S355-1	107 -28	S8S	95A-21
S225-6	135 -66	S378-1L	90 -36	TA732042	77 -64
S226-2	7 - 2	S378-1L	100 -25	TF10052	108 -23
S226-2	8A-23	S378-1L	100 -31	TVA-1315	68B-35
S226-2	8A-28	S378-1L	131 -17	WL98293-2-.190	129 - 8
S226-2	11 -14	S378-1L	132 -17	WL98293-2-.200	129 -24
S226-2	11 -14A	S378-2	96 -46	WL98293-3-.310	129 -34

PART NUMBER	FIGURE AND INDEX NO.
WRM-10	124 - 5
WRM-15	124 - 3
WRM-20	124 - 8
WRM-25	124 - 4
WRM-30	124 - 6
WRM-39-12	124 - 8
WRM-44-12	124 - 7
W98292-1-.130	73 -47A
W98292-1-.130	73A-57
W98293-3-.320	77 -32
W98293-3-320	78 -13
W98293-3-320	78A-13
XH99608-F1099	57 -21
XH99608F1099	68A-71
XR6085	123 -45
X109488	114 -28
X26263	121 -55
X26263	122 -53
ZF604	120B-20
ZF604	120C-23
ZH716	120B-48
ZH716	120B-51
ZH716	120C-49
ZH716	120C-52
ZH716	120A-53
ZH716	120A-53
ZH727-14	120B-50
ZH727-14	120C-51
ZH727-14	120A-53
ZH727-8	120B-47
ZH727-8	120C-48
ZH727-8	120A-52
ZR-075-11.5	124A-20
Z651-1	120A-16A
Z651-1	120B- 5
Z651-1	120C- 5
Z651-13	120A-16C
Z651-13	120B- 3
Z651-13	120C- 3
Z651-3	120A-16B
Z651-3	120B- 6
Z651-3	120C- 6
OR95-1.5	124A-26
0310196-12	91 - 7
0310196-15	59A-24
0310196-15	62 -56
0310196-2	59 -16
0310196-5	91 - 6
0310280	46 - 7
0310280	98 -36
0310332	100 -43
0310453	92 - 1
0310453	92 -24
0311018-10	67 -19
0311018-10	68 -21
0311018-11	77 -17
0311029-6	68 -18
0311056-4	68 -79
0311056-4	116 -36
0311056-4	117 -34
0311056-5	67 -79
0311056-5	68 -79
0311056-5	116 -36
0311056-5	117 -34
0311056-5	117A-33
0311057-1	68 -26
0311057-1	116 - 6
0311057-1	117 - 6
0311057-2	134 -54
0311057-2	135 -19
0311058-4	67 -80
0311058-4	68 -80
0311058-4	116 -38
0311058-4	117 -36

PART NUMBER	FIGURE AND INDEX NO.
0311058-4	117A-35
0311058-5	68 -80
0311058-5	116 -38
0311058-5	117 -36
0311070-1	106 -19
0311070-1	112 -
0311070-2	112 - 6
0311071	112 - 1
0311072	112 -10
0311073	112 - 4
0311075-1	112 -18
0311076	112 - 8
0311077	112 -13
0311079	112 -17
0311310	59 -18
0311310	59A-11
0311310	62 -57
0311319-1	24 -71
0311319-1	35B-18
0311319-1	52 -22
0311319-2	24 -72
0311319-2	35B-18
0311319-2	52 -23
0311516-4	22 -27
0311538-12	67 -27
0311538-12	68A-61
0311538-12	106 -45
0311538-12	118A- 1
0311586	59 -19
0311586	59A-13
0311586	62 -59
0311623-1	57 -23
0311623-1	57A-22
0311623-1	58 -18
0311644	59 -10
0311644	59A-18
0311644	62 -32
0312155-10	125 -13
0312155-10	125A- 6
0312155-3	125 - 8
0312155-4	125 -15
0312155-6	125 -14
0320105	13 -26
0322526-6	13 -22
0322526-7	13 -22
0332136-6	19 -66
0341007-5	127 - 1
0341007-6	126 - 4
0341118	127 -15
0341118	128 -13
0341118-1	127 -15
0341118-1	128 -13
0400123-1	53 - 1
0400129-64	53 -24
0400135-1	2 -31A
0400135-1	2A-20A
0400213-6	2B-51
0400213-6	2C-41
0400213-6	70 -41
0405020-1	2B-41
0405020-1	2C-34
0411007-7	68 -74
0411007-7	101 - 2
0411007-8	68 -74
0411007-8	101 - 2
0411009-6	68 -71
0411030-5	57 -10
0411030-5	57 -15
0411030-5	57 -29
0411030-5	57A- 6
0411030-5	58 - 4
0411030-6	57 -10
0411030-6	57 -15
0411030-6	57 -29

PART NUMBER	FIGURE AND INDEX NO.
0411030-6	58 - 4
0411047	94 - 6
0411051	95 - 6
0411051-4	95 - 8
0411059-1	67 -52
0411059-1	68 -51
0411059-3	68A- 9
0411059-3	68B-10
0411069-1	68 -70
0411069-1	101 - 3
0411069-3	68 -70
0411086-17	128 -51
0411086-23	128 -51
0411129	30 - 5
0411185-7	49 -34
0411185-7	50 -32
0411221-3	94 - 1
0411224	67 -75
0411224	67 -77
0411224	68 -75
0411224	68 -77
0411232	95 -15
0411255	94 - 9
0411257	94 -12
0411257	94A-24
0411257	94A-43
0411263-5	91 -18
0411263-5	92 -15
0411263-6	91 -18
0411263-6	92 -15
0411264-5	91 -19
0411264-5	92 -16
0411264-6	91 -19
0411264-6	92 -16
0411265-1	76 -82
0411302-203	92 -18
0411306-10	92 -19
0411306-15	92 -18
0411306-16	92 -19
0411306-201	92 -18
0411306-202	92 -19
0411306-204	92 -19
0411306-205	91 -21
0411306-206	91 -22
0411306-5	91 -21
0411306-6	91 -22
0411306-9	92 -18
0411307	91 - 8
0411307	91 -36
0411307	92 - 6
0411307	92 -33
0411326-3	94 -15
0411342	29 -21
0411342	29 -22
0411369-2	92 - 2
0411369-2	92 -25
0411421-2	96 -18
0411447	24 -20
0411447	25 -13
0411489	95 -27
0411489	96 -20
0411491	100 -27
0411491-1	100 -21
0411549	91 -15
0411549	92 -12
0411550	91 -14
0411550	92 -11
0411562	91 -25
0411562	92 -22
0411563	91 -38
0411563	92 -35
0411564	91 -32
0411564	92 -29
0411564-3	91 -33

PART NUMBER	FIGURE AND INDEX NO.
0411564-3	92 -30
0411565	91 -24
0411565	92 -21
0411573-1	91 -39
0411573-1	92 -36
0411623-1	64 -10
0411623-1	64A- 8
0411680	24 - 3
0411680	26 - 7
0411680	26 -11
0411680	26 -12
0411718-5	24 - 2
0411778-2	91 - 4
0411778-2	91 -30
0411778-2	92 - 4
0411778-2	92 -27
0411778-3	92 - 4
0411778-4	92 -27
0411783	90 -45
0411783	97 -37
0411783-1	95A-18
0411803-7	76 -78
0411840	55 -18
0411840	56 -17
0411851	49 -24
0411880	95 - 3
0411881	95 - 4
0411897-3	68A-42
0411897-3	68A-48
0411897-3	68B-41
0411897-3	68B-49
0411897-3	68B-50
0411897-3	68C-46
0412007-1	121 - 7
0412007-1	122 - 8
0412146-1	36 - 6
0412147	36 - 9
0412148-1	36 -13
0412151-1	36 -10
0412151-1	36 -14
0412151-2	36 -15
0412151-3	36 -16
0412151-4	36 -11
0412151-5	36 - 7
0412467	35 -13
0412467	35A-44
0412470	36 -12
0412471-3	36 -17
0412496	30 - 9
0413028-10	102B- 7
0413028-4	102B- 8
0413028-5	102B- 7
0413028-8	102B- 8
0413028-9	102B- 8
0413126-7	67 -83
0413126-7	68 -83
0413131-3	67 - 6
0413131-3	68 - 8
0413138	123 -14
0413138	123 -39
0413140	123 -11
0413140-2	123 -13
0413140-5	123 -44
0413141-1	123 -18
0413141-1	123 -26
0413142-5	123 -10
0413157	7 - 7
0413157	8 -22
0413163-11	88 -34
0413163-11	88A-16
0413163-16	88 -29
0413163-16	88A-11
0413163-17	88 -29
0413163-17	88A-11

PART NUMBER	FIGURE AND INDEX NO.
0413163-18	88A-13
0413163-18	88 -31
0413163-205	88A- 9
0413163-206	88A- 9
0413163-25	88A- 9
0413163-25	88 -27
0413163-26	88A- 9
0413163-26	88 -27
0413163-5	88 -32
0413163-5	88A-14
0413163-7	88 -30
0413163-7	88A-12
0413181-2	24 -79
0413181-2	25 -26
0413155-5	51 -11
0413195-5	51A-26
0413203	88A-15
0413205-11	76A-12
0413205-11	77B-13
0413205-11	121 - 4
0413205-11	122 - 5
0413213-14	94A-45A
0413213-18	94A-45A
0413213-24	94A-45B
0413213-7	94 -22
0413213-7	94A-45
0413216	94 -24
0413216	94A-47
0413216-2	94A-47A
0413216-4	94 -25
0413216-4	94A-48
0413216-5	94A-49
0413216-6	94A-49A
0413228	88A-20
0413228	88A-20F
0413228	88 -38
0413235	57 -12A
0413235	57 -14
0413235	58 - 6A
0413235	58 - 8
0413235	123A- 3
0413235	127 -46
0413235	128 -43
0413247	13 -32
0413247	67 -53
0413247	68 -52
0413247	68A-12
0413247	68B-13
0413247	68C-16
0413279	36 - 5
0413317-1	49 -38
0413317-1	50 -34
0413322-4	129 - 8
0413323-3	52 - 8
0413323-5	49 -23
0413323-6	129 - 8
0413323-7	52 - 8
0413347-1	88A-20
0413347-1	88 -38
0413372-5	94A-42
0413416-4	95A-22
0413483-1	102B- 1
0413484-15	57A- 7
0413484-16	57A- 7
0413484-16	123A- 1
0413484-3	57 -12
0413484-3	57A- 7
0413484-5	57 -12
0413484-5	57A- 7
0413484-5	57A- 7
0413485-1	123A- 1
0413485-2	102B- 7
0413517-15	70 -39
0413517-5	70 -42

PART NUMBER	FIGURE AND INDEX NO.
0414029-1	53 -24
0422229-11	9 -18
0422229-11	10 -21
0422229-11	10A-22
0422229-3	9 -18
0422280	14 - 7
0422291	7 - 4
0422291	8 -19
0422291	8A- 5
0422292	6A-49
0422292	7 -12
0422292	7 -14
0422292	8 -28
0422292	8 -30
0422292	8A-13
0422292	8A-17
0422292	8A-21
0422344	127 -42
0422349	128 -40
0422356-1	95A-10
0422356-2	95A-10
0422357-1	95A-15
0422358-1	95A-14
0423007-1	3 -35
0423008-8	5 -45
0423008-8	6 -45
0423008-9	5 -45
0423008-9	6 -45
0423542-6	3 -21
0423564-1	3 -35
0423564-2	3 -35
0425134	106 -27
0431017-2	124A-11
0432134-4	131 -68
0432134-4	132 -68
0432138-2	100 -17
0432138-3	100 -30
0432138-4	131 -67
0432138-4	132 -67
0432138-5	131 -66
0432138-5	132 -66
0433006-7	39 - 5
0441016-13	44 - 1
0441016-24	44 - 1
0441023-2	40 - 4
0441023-2	40A- 4
0441023-2	41 - 4
0441115-3	40 - 4
0441115-3	127 -57
0441115-3	128 -52
0441115-3	41 - 4
0441115-4	41 - 4
0441119	40 -12
0441119	40A-12
0441119	41 -12
0441119	41 -43
0441139-5	40 -26
0441139-5	40A-41
0441139-5	41 -37
0441139-6	40 -26
0441139-6	40A-41
0441139-6	41 -37
0441150-2	44 - 3
0441150-3	44 - 3
0441150-8	41 -39
0441150-8	44 - 2
0441150-9	41 -39
0441150-9	44 - 2
0441151	44 - 4
0441156-18	42 - 1
0441156-18	42B- 1
0442006-11	47 -35
0442006-11	48 -30
0450111	33 - 7

PART NUMBER	FIGURE AND INDEX NO.
0450111	33 -49
0450191-1	74 -30
0450191-1	75 -24
0450277-10	84 -59
0450277-2	84 -56
0450277-2	85 -43
0450277-3	84 -55
0450277-3	85 -42
0450286	28 -43
0450311	104 -60
0450311	105 -35
0450311	105 -69
0450311	109 -14
0450311	110 -22
0450311-3	110A-19
0450311-4	75 -40
0450311-5	74 -18
0450311-5	75 -15
0450311-5	88 -22
0450311-5	88A- 7
0450311-5	89 -12
0450311-5	104 -37
0450311-5	120A-26
0450311-5	120B-31
0450311-5	120C-32
0450314	8 -23
0450314	88 -25
0450314	88A-214
0450314-1	8A- 9
0500085-1	2 - 1
0500085-1	2A-14
0500085-2	2 -25
0500085-2	2A-15
0500091-5	2A-13
0500103-133	57 -33
0500103-133	57A- 2
0500103-133	58 -27
0500106-12	90 -11
0500106-121	106 -37
0500106-122	106 -38
0500106-13	90 -12
0500106-133	106 -41
0500106-14	90 - 5
0500106-144	114 -16
0500106-164	76 -21
0500106-164	77 -11
0500106-165	41 -11
0500106-166	41 -11
0500106-169	41 -42
0500106-170	77 -42
0500106-173	118 - 7
0500106-184	119 - 7
0500106-185	119 -13
0500106-196	77 -37
0500106-196	106 -43
0500106-197	77 -38
0500106-197	106 -44
0500106-202	75 -10
0500106-202	106 -39
0500106-202	118A-16
0500106-205	106 -35
0500106-220	114 -17
0500106-221	116 -25
0500106-221	117 -23
0500106-248	74 -53
0500106-248	75 -43
0500106-250	77 -12
0500106-251	117 -14
0500106-251	136 -15
0500106-273	67 -18
0500106-273	68 -20
0500106-273	74 -53
0500106-273	75 -43
0500106-292	74 -55

PART NUMBER	FIGURE AND INDEX NO.
0500106-292	113 - 2
0500106-292	114 - 2
0500106-299	119 -19
0500106-317	40 -11
0500106-317	40A-11
0500106-319	103 -34
0500106-320	103 -13
0500106-320	104 -10
0500106-320	106 -17
0500106-321	103 -20
0500106-321	104 -17
0500106-321	105 -15
0500106-321	106 -12
0500106-322	103 - 7
0500106-322	104 - 5
0500106-322	105 - 5
0500106-322	106 - 2
0500106-323	103 -33
0500106-324	103 -12
0500106-324	104 - 9
0500106-324	106 -18
0500106-325	103 -26
0500106-325	104 -23
0500106-325	105 -21
0500106-325	106 -13
0500106-326	103 - 6
0500106-326	104 - 4
0500106-326	105 - 4
0500106-326	106 - 3
0500106-327	103 -23
0500106-328	103 -19
0500106-329	103 -36
0500106-330	103 -38
0500106-331	103 -14
0500106-331	104 -11
0500106-332	103 -42
0500106-332	104 -29
0500106-332	105 -27
0500106-333	103 -29
0500106-334	107 -16
0500106-335	107 -14
0500106-336	107 -23
0500106-337	107 - 8
0500106-338	76 -20
0500106-339	116 -14
0500106-339	117A-14
0500106-340	103 -40
0500106-341	74 -56
0500106-343	76 -36
0500106-346	103 - 8
0500106-346	104 - 6
0500106-346	105 - 6
0500106-346	106 - 4
0500106-347	113 -16
0500106-348	113 -31
0500106-349	113 -32
0500106-35	90 - 4
0500106-353	103 -23
0500106-353	104 -20
0500106-353	105 -18
0500106-354	103 -19
0500106-354	104 -16
0500106-354	105 -14
0500106-357	103 -29
0500106-358	106 -11
0500106-359	106 -10
0500106-360	126 -74
0500106-361	104 -32
0500106-361	105 -30
0500106-362	104 -27
0500106-363	104 -26
0500106-99	106 -34
0500118-114	74 -53
0500118-114	75 -43

PART NUMBER	FIGURE AND INDEX NO.
0500118-96	67 -18
0500118-96	68 -20
0500118-96	74 -53
0500118-96	75 -43
0500125-1	2 -298
0500125-1	2 -32
0500125-1	2A-168
0500125-1	2A-21
0500125-1	94 -25
0500125-11	2 -33
0500125-11	94 -25
0500125-44	2 -32A
0500125-44	2A-21A
0500125-8	2A-22
0500125-8	94 -25
0500130-1	125 -17
0500210-24	# 63 -16
0500210-26	# 63 -10
0500210-69	53 -20
0500248-1	2 -47
0500248-1	2A-20
0500315-1	110A-26
0500315-2	110A-25
0505005-1	2B-16
0505005-1	2C-13
0505005-1	101 -38
0505005-1	102 -34
0505009-2	2B- 8
0505009-2	2C-14
0505009-2	86 - 9
0505009-3	2B-46
0505009-3	2C-35
0505020-2	2B-24
0505020-2	2C-15
0505020-2	688-66
0510010-11	133 - 7
0510010-12	133 -11
0510010-15	133 -19
0510010-16	133 - 8
0510010-18	133 - 1
0510010-19	133 -27
0510010-2	133 -13
0510010-21	133 -28
0510010-3	133 - 5
0510010-30	133 -16
0510010-31	133 - 6
0510010-32	133 - 4
0510010-4	133 -12
0510010-5	133 -20
0510010-6	133 -21
0510010-7	133 -22
0510105-113	95 - 2
0510105-116	95 - 1
0510105-121	97 -12
0510105-122	97 -16
0510105-124	96 - 8
0510105-125	96 - 9
0510105-128	100 -22
0510105-129	100 -23
0510105-13	95 - 2
0510105-131	131 -65
0510105-131	132 -65
0510105-132	131 -64
0510105-132	132 -64
0510105-151	98 - 1
0510105-151	99 - 1
0510105-152	98 -11
0510105-152	99 -11
0510105-153	45 - 6
0510105-153	99 -37
0510105-159	97 - 1
0510105-16	95 - 1
0510105-160	97 - 2
0510105-161	97 -10

PART NUMBER	FIGURE AND INDEX NO.
0510105-162	97 -11
0510105-163	97 - 6
0510105-164	97 - 7
0510105-167	131 -63
0510105-167	132 -63
0510105-168	131 -63
0510105-168	132 -63
0510105-171	98 - 2
0510105-171	99 - 2
0510105-173	98 -40
0510105-173	99A- 1
0510105-182	96 -38
0510105-196	45 - 6
0510105-196	98 -37
0510105-199	46 - 6
0510105-199	46A- 6
0510105-199	46B- 6
0510105-199	98 -37
0510105-21	97 -12
0510105-213	94A-32
0510105-214	94A-38
0510105-215	94A-37
0510105-216	94A-41
0510105-22	97 -16
0510105-222	95 - 1
0510105-225	97 - 1
0510105-226	97 -11
0510105-227	97 -10
0510105-232	90 -28A
0510105-24	96 - 8
0510105-25	96 - 9
0510105-28	100 -22
0510105-28	131 -62
0510105-28	132 -62
0510105-29	100 -23
0510105-313	94A-32
0510105-314	94A-38
0510105-315	94A-37
0510105-316	94A-41
0510105-322	95 - 1
0510105-323	45 - 6
0510105-323	46B- 6
0510105-323	98 -37
0510105-323	99 -37
0510105-325	97 - 1
0510105-326	97 -11
0510105-327	97 -10
0510105-51	98 - 1
0510105-51	99 - 1
0510105-52	98 -11
0510105-52	99 -11
0510105-59	97 - 1
0510105-60	97 - 2
0510105-61	97 -10
0510105-62	97 -11
0510105-63	97 - 6
0510105-64	97 - 7
0510105-70	90 -28
0510105-71	98 - 2
0510105-71	99 - 2
0510105-73	98 -40
0510105-73	99A- 1
0510105-82	96 -38
0510110	30 -71
0510110	30 -85
0510111-10	96 -35
0510112	30 -83
0510112-1	30 -84
0510113-19	28 -21A
0510113-21	28 -21
0510113-23	28 -21
0510113-25	28 -21
0510113-26	28 -21A
0510114-50	23 -11

PART NUMBER	FIGURE AND INDEX NO.
0510114-51	23 -12
0510128	28 -53
0510128	29 -21
0510128	29 -22
0510128-1	28 -53
0510129-3	22 -12
0510129-3	23 -13
0510129-4	22 -12
0510135	28 -24
0510135	29 -23
0510136	95 -19
0510137	95 -20
0510139	29 -24
0510146	38 -10
0510146-9	38 -14
0510159	96 - 1
0510161	96 - 4
0510163	30 -39
0510163-1	30 -39
0510164	35 -14
0510164	35A-43
0510166-4	97 -53
0510166-5	97 -53
0510167	97 -59
0510169-3	97 -60
0510171-1	97 -68
0510172-3	97 -63
0510172-4	97 -64
0510173	97 -65
0510174	24 -30
0510174	25 -22
0510176	97 -62
0510177	97 -61
0510178-1	97 -55
0510181	97 -70
0510181-1	97 -71
0510183-1	22 -11
0510183-10	22 -11
0510183-2	22 -10
0510183-3	22 -11
0510183-4	22 -10
0510183-5	22 -10
0510183-6	22 -11
0510183-9	22 -10
0510184	97 -72
0510188	2 - 9
0510188	2B-23
0510188	97 -67A
0510190	133 -25
0510191	2 -11
0510191	2A- 9
0510191	97 -58
0510203-1	97 -61
0510205-5	59 -24
0510205-5	60 -56
0510205-5	61 -58
0510205-5	61A-58
0510205-5	63 -86
0510205-5	63C-99A
0510205-6	59 -28
0510205-6	60 -56
0510205-6	61 -58
0510205-6	61A-58
0510205-6	63 -86
0510205-6	63C-99A
0511000-11	25 -18
0511000-14	23 - 8
0511000-15	23 - 9
0511000-22	24 -13
0511000-22	25 - 7
0511000-23	24 -13
0511000-23	25 - 7
0511000-35	24 -27
0511000-35	25 -19

PART NUMBER	FIGURE AND INDEX NO.
0511000-36	24 -17
0511000-36	25 -11
0511000-37	24 -17
0511000-37	25 -11
0511000-38	25 -20
0511000-41	23 - 7
0511000-41	27 - 1
0511000-43	24 - 7
0511000-43	25 - 4
0511000-44	24 - 8
0511000-44	25 - 5
0511000-6	24 -12
0511000-6	25 - 6
0511000-60	24 -31
0511000-60	25 -23
0511000-63	24 - 5
0511000-63	25 - 3
0511000-63	31 -11
0511000-64	23 -10
0511000-68	22 - 6
0511000-69	22 - 7
0511000-7	24 -12
0511000-7	25 - 6
0511000-70	22 - 8
0511000-73	24 -14
0511000-74	24 -14
0511000-8	24 -14
0511000-8	25 - 8
0511000-9	24 -14
0511000-9	25 - 8
0511001-131	53 - 5
0511001-133	57 -16
0511001-133	57A-10
0511001-133	58 - 9
0511001-186	53 - 8
0511035-5	68 -15
0511049	64 -11
0511049	64A- 7
0511049-1	64 -11
0511049-1	64A- 7
0511062-11	3 -13
0511062-12	3 -13
0511062-4	3 -13
0511062-5	3 -13
0511063	67 -37
0511063	68 -37
0511063	68D- 1
0511063	68E- 1
0511063	113 -10
0511063	114 - 6
0511063-2	67 -37
0511063-2	68D- 1
0511063-2	68E- 1
0511063-2	113 -10
0511063-2	114 - 6
0511116	25 - 9
0511116-1	25 -10
0511116-8	24 -16
0511116-9	24 -16
0511127	106 -25
0511130	57 -18
0511130	58 -11
0511130	57A-12
0511133	24 -57
0511133	26 -23
0511145	25 -51
0511145	35 -19
0511146	23 - 6
0511146	25 -52
0511149-1	35 - 3
0511150	24 -15
0511150	25 - 8
0511150-1	24 -15
0511150-1	25 - 8

PART NUMBER	FIGURE AND INDEX NO.	PART NUMBER	FIGURE AND INDEX NO.	PART NUMBER	FIGURE AND INDEX NO.
0511157-17	106 -23	0511782-1	94A- 9	0512132-5	32 -31
0511157-18	106 -22	0511783-1	94A-12	0512132-5	32A-42
0511157-20	106 -19	0511784-1	94A-14	0512133	32 -23
0511165	70 - 6	0511785-1	94A-25	0512133	32A-34
0511166	70 - 5	0511786-1	94A-19	0512134	32 -20
0511168	2A- 4	0511786-2	94A-22	0512134	32A-30
0511168	2C-16	0511787-1	94A-15	0512134-1	32 -21
0511168	55 -15	0511788-1	94A-26	0512134-1	32A-31
0511174-1	64 - 5	0511789-1	94A-31	0512135	97 -52
0511176	24 -45	0512000-20	25 -28	0512136	95 -47
0511176	25 -36	0512000-66	26 -11	0512137	32 -10
0511189-1	49 -43	0512000-66	26 -12	0512137	32A-10
0511189-1	50 -37	0512006-1	13 -16	0512138	95 -44
0511189-2	49 -39	0512046-1	55 -17	0512138	95 -67
0511189-2	50 -35	0512107-12	27 - 4	0512138-1	46 -37
0511194-4	106 -24	0512107-12	131 -72	0512138-1	46A-34
0511195	106 -32	0512107-12	132 -74	0512138-2	46A-23
0511196-1	106 -33	0512107-28	27 - 5	0512139-2	32 -19
0511198	106 -31	0512107-30	27 - 6	0512139-2	32A-29
0511199-20	101 -39	0512107-30	132 -73	0512139-2	32 -19
0511199-20	102 -35	0512107-30	23 -14	0512139-3	32A-29
0511199-22	110 - 3	0512107-36	27 - 1	0512139-3	32A-29
0511199-41	109 -19	0512107-39	126 -52	0512140	97 -49
0511199-41	110 -27	0512107-39	27 - 2	0512146	22 -15
0511199-45	107 - 1	0512107-40	27 - 3	0512146	23 -16
0511199-45	108 - 1	0512107-41	27 - 1	0512146-1	22 -15
0511199-45	109 -	0512107-43	27 - 1	0512146-1	23 -16
0511229-2	57 -17	0512107-43	126 -52	0512148	35 - 5
0511232-3	70 - 2	0512107-44	27 - 2	0512149-1	22 -16
0511232-4	24 -56	0512107-45	27 - 3	0512149-1	23 -17
0511232-4	25 -31	0512113-7	24 -42	0512149-2	22 -16
0511242-1	63A- 1	0512113-7	25 -35	0512149-2	23 -17
0511284-3	64 -13	0512121-6	35 - 4	0512152	32 -34
0511284-3	64A- 6	0512122	32 - 5	0512152	32A-45
0511284-4	64 -13	0512122	32A- 5	0512160-2	35 - 5
0511284-4	64A- 6	0512123	3 - 6	0512160-2	35A-47
0511286	66 -21	0512123	3A- 6	0512160-2	126 -70
0511290-3	25 -12	0512124-13	32 -22	0512166-1	58 -17
0511290-5	24 -19	0512124-15	32 -36	0512166-3	2A- 2
0511290-6	24 -19	0512124-15	32A-46	0512167-10	37 -10
0511296-1	24 -87	0512124-32	32 -37	0512167-17	37 -11
0511296-2	24 -87	0512124-39	32 -15	0512167-19	37 - 8
0511299-1	120 -27	0512124-40	32 -14	0512167-25	37 - 9
0511301-18	59 -28	0512124-41	24 -23	0512167-27	37 - 8
0511301-18	60 -56	0512124-41	32 -	0512171-1	37 - 4
0511301-18	61 -58	0512124-42	32 -22	0513003-19	126 -42
0511301-18	63 -86	0512124-42	32A-33	0513003-19	127 -44
0511301-19	59 -24	0512124-5	32 -24	0513003-6	128 -41
0511301-19	60 -56	0512124-52	24 -23	0513006-101	30 -18
0511301-19	61 -58	0512124-52	32A-	0513006-102	30 -29
0511301-19	63 -86	0512124-53	32A-15	0513006-103	30 -58
0511311-11	128 -43	0512124-54	32A-16	0513006-104	30 -65
0511311-12	128 -43	0512124-7	32 -25	0513006-105	30 -57
0511311-5	123A-16	0512124-7	32 -25	0513006-11	30 -34
0511312-1	23 -25	0512124-7	32A-36	0513006-11	30 -78
0511312-1	24 -36	0512124-73	24 -23	0513006-134	30 -88
0511463-1	49 -18	0512124-73	32A-	0513006-135	30 -40
0511463-1	50 -18	0512124-74	32A-16	0513006-138	30 -42
0511475-1	55 - 6	0512124-75	32A-15	0513006-139	30 -57
0511475-1	56 - 2	0512124-79	32 -11	0513006-140	30 -65
0511475-2	55 - 7	0512124-79	32A-12	0513006-141	30 -59
0511475-7	55 - 6	0512124-80	32 -12	0513006-142	28 - 7
0511475-8	55 - 7	0512124-80	32A-13	0513006-142	30 -
0511482-1	123 -21	0512128	32 -27	0513006-143	30 -11
0511482-3	123 -27	0512128	32A-38	0513006-144	30 -22
0511482-5	123 -29	0512129	32 -26	0513006-151	30 -42
0511482-9	123 -21	0512129	32A-37	0513006-21	30 -23
0511483-1	24 -86	0512132	32A-41	0513006-22	30 -28
0511483-1	25 -55	0512132-1	32 -31	0513006-23	30 -67
0511483-2	123 -43	0512132-1	32A-42	0513006-24	30 -59
0511484-1	24 -85	0512132-4	32 -30	0513006-25	30 -20
0511484-1	25 -53	0512132-4	32 -30	0513006-26	30 -31
0511485-1	24 -87	0512132-4	32 -31	0513006-3	30 -12
0511485-1	25 -54	0512132-4	32A-41	0513006-34	30 -14
		0512132-4	32A-42	0513006-35	30 -25

PART NUMBER	FIGURE AND INDEX NO.
0513006-38	30 -15
0513006-39	30 -26
0513006-40	30 -13
0513006-41	30 -24
0513006-42	30 -19
0513006-43	30 -30
0513006-44	30 -11
0513006-45	30 -22
0513006-46	30 -13
0513006-47	30 -24
0513006-61	30 -64
0513006-61	30 -75
0513006-62	30 -65
0513006-62	30 -75
0513006-8	30 -17
0513006-9	30 -66
0513013-12	57 -28
0513013-12	58 -23
0513013-12	57A-16
0513038-5	28 -28
0513039-7	68A-58
0513039-7	68B-55
0513039-7	68C-59
0513039-7	67 -31
0513039-7	68 -31
0513051-8	67 -43
0513051-8	68 -42
0513056-3	68A-18A
0513056-3	68B-18A
0513056-3	68C-20
0513112-1	28 -38
0513124-1	112 - 2
0513144-10	67 -22
0513144-10	68 -24
0513144-10	113 - 1
0513144-10	114 - 1
0513144-14	67 -23
0513144-14	68 -25
0513144-16	67 -20
0513144-16	68 -22
0513144-2	67 -21
0513144-2	68 -23
0513144-2	113 - 9
0513144-2	114 - 5
0513146-11	67 -75
0513146-11	68 -75
0513166-1	94 -23
0513166-3	94 -23
0513166-7	94A-46
0513167-13	94 -19
0513167-13	94 -19
0513167-7	94 -19
0513167-7	94 -19
0513186-1	108 - 8
0513194-1	135 -84
0513208-1	123 - 3
0513208-1	123 -35
0513208-1	123 -55
0513220-11	2 -19
0513220-11	69 -16
0513220-12	2 -20
0513220-12	69 -16
0513220-13	2 -21
0513220-13	69 -16
0513220-14	2 -13
0513220-14	69 -16
0513220-2	2 -14
0513220-2	69 -16
0513220-3	2 -15
0513220-3	69 -16
0513220-4	2 -16
0513220-4	69 -16
0513220-6	2 -18
0513220-6	69 -16

PART NUMBER	FIGURE AND INDEX NO.
0513220-9	2 -17
0513220-9	69 -16
0513238-1	89 -32
0513309-1	89 -31
0513311-1	68A-18
0513311-1	68B-18
0513311-2	68A-18A
0513311-2	68B-18A
0513311-2	68C-20
0513311-7	68B-18
0513311-7	68C-19
0513316-9	68A- 5
0513332-204	94 -19
0513332-204	94 -19
0513332-205	94A-43
0513345-4	89 -26A
0513348-1	53 -21
0513351-1	68A-14
0513351-1	68A-21
0513351-1	68B-15
0513351-1	68B-21
0513385-3	70 -22
0513386-1	89 -26A
0513425-1	57A- 9A
0514017-1	63C-21
0514017-2	63C-21
0514017-3	63C-20
0514018-1	63C- 8
0514018-15	63C- 8
0514018-3	63C-10
0514021-16	63C-19
0514024-1	63C-40
0514024-2	63C-22
0514026-11	63C-22
0514026-2	63C-43
0514026-4	63C-50
0514027-1	63C-67
0514027-2	63C-35
0514027-5	63C-67
0514027-6	63C-35
0514027-9	63C-35
0514028-10	63C-26
0514028-15	63C-26
0514028-16	63C-26
0514028-5	63C-47
0514028-5	63C-55
0514028-6	63C-46
0514029-1	63C-16
0514029-2	63C- 3
0514030-4	63C-23
0514032-1	63C-57
0514033-1	63C-30
0514033-1	63C-62
0514034-1	63C-44
0514035-1	63C-41
0514035-2	63C-42
0514036-1	63C-28
0514037-1	63C-69
0514042-1	65B- 1
0514043-1	61A-51
0514047-1	63C-75
0514047-9	63C-75
0514048-1	61A-62
0514048-1	63 -89
0514048-1	63C-94
0514048-1	64A-19
0514048-9	61A-63
0514048-9	63 -92
0514048-9	63C-95
0514048-9	64A-20
0514055-1	61A-14
0514055-11	61A-14
0514055-3	61A-16
0514058-1	61A-19

PART NUMBER	FIGURE AND INDEX NO.
0514060-5	63C-25
0515001-1	63C-
0515001-10	#
0515001-10	#
0515001-20	#
0515001-200	#
0515001-201	#
0515001-210	#
0515001-25	63C- 1
0515001-26	63C-11
0515001-26	63C-
0515001-38	63C-18
0515001-42	63C- 7
0515001-7	63C- 7
0515002-10	65B-13
0515002-2	65B-
0515002-3	65B-10
0515002-5	65B-12
0515002-9	65B-11
0517003-2	51A- 1
0517006-2	49 -42
0517006-2	50 -36B
0520005-3	3 -16
0520005-3	3A-44
0520008	3 -17
0520008	3A-48
0520008-1	3 -17
0520008-1	3A-48
0522101-1	3 -52
0522101-1	3A-16
0522629	14 - 3
0522629	15 - 3
0523003-40	11 - 8
0523003-40	11 -18
0523003-40	12 -16
0523003-40	12A-13
0523005-50	9 -22
0523005-50	10 -26
0523005-50	10A-28
0523005-51	9 -22
0523005-51	10 -26
0523005-51	10A-28
0523106-4	7 -24
0523106-4	8 -14
0523107	7 - 8
0523107	8 -24
0523107-2	7 - 3
0523107-2	8 -18
0523107-3	7 - 3
0523107-3	8 -18
0523108	7 -10
0523108	7 -10
0523108	8 -26
0523108-3	7 -11
0523108-3	8 -27
0523110-2	7 -20
0523110-5	7 -19
0523111-2	7 -10
0523111-2	7 -13
0523111-2	8 -29
0523118-1	3 -20
0523215	9 -28
0523215	10 -32
0523215	10A-34
0523215-1	9 -28
0523215-1	10 -32
0523215-1	10A-34
0523216	9 -27
0523216	10 -31
0523216	10A-33
0523218	14 - 9
0523218	95 -59
0523219-2	4 -37
0523219-2	5 -38
0523219-2	6 -38
0523219-2	6A-37

PART NUMBER	FIGURE AND INDEX NO.
0523219-3	4 -37
0523219-3	5 -38
0523219-3	6 -38
0523219-3	6A-37
0523219-4	4 -37
0523219-4	5 -38
0523219-4	6 -38
0523219-5	4 -37
0523219-5	5 -38
0523219-5	6 -38
0523219-6	6A-37
0523219-7	6A-37
0523221	14 - 4
0523222	14 - 5
0523223	14 - 1
0523223	95 -58
0523223-1	14 - 1
0523223-1	95 -58
0523230	4 -29
0523230	5 -33
0523230	6 -33
0523230	6A-30
0523230-1	4 -29
0523230-1	5 -33
0523230-1	6 -33
0523230-1	6A-30
0523230-4	5 -33
0523230-4	6 -33
0523230-4	6A-30
0523230-5	5 -33
0523230-5	6 -33
0523230-5	6A-30
05232304	4 -29
05232305	4 -29
0523232	4 -24
0523232	5 -28
0523232	6 -28
0523232-2	5 -28
0523232-2	6 -28
0523232-2	6A-24
0523233	4 -27
0523233-2	4 -26
0523233-20	6A-27
0523233-3	4 -28
0523233-3	5 -32
0523233-3	6 -32
0523233-3	6A-29
0523233-6	5 -30
0523233-6	6 -30
0523233-6	6A-27
0523233-7	5 -31
0523233-7	6 -31
0523233-7	6A-28
0523306	9 -11
0523306	10 -12
0523306	10A-13
0523307	16 - 4
0523308	9 - 5
0523308	10 - 6
0523308	10A- 6
0523309	9 - 2
0523309	10 - 2
0523309	10A- 2
0523309-1	9 - 2
0523309-1	10 - 2
0523309-1	10A- 2
0523315	9 - 6
0523315	10 - 7
0523315	10A- 7
0523315-1	9 - 6
0523315-1	10 - 7
0523315-1	10A- 7
05233'6	9 - 9
0523316-1	9 - 9

PART NUMBER	FIGURE AND INDEX NO.
0523321-3	9 -10
0523321-4	9 -10
0523400-111	10 -20
0523400-111	10A-21
0523400-112	10 -20
0523400-112	10A-21
0523400-20	9 -21
0523400-20	10 -24
0523400-20	10A-26
0523400-21	9 -21
0523400-21	10 -24
0523400-21	10A-26
0523400-52	9 -17
0523400-53	9 -16
0523400-54	9 -16
0523400-55	9 -16
0523400-58	10 -25
0523400-59	10 -25
0523400-60	10 -20
0523400-61	10 -20
0523400-72	10 -20
0523400-73	10 -20
0523400-78	10 -25
0523400-79	10 -25
0523400-80	10 -20
0523400-81	10 -20
0523400-86	10 -25
0523400-87	10 -25
0523400-90	10 -20
0523400-91	10 -20
0523400-96	10 -25
0523400-96	10A-27
0523400-97	10 -25
0523400-97	10A-27
0523406	9 -22
0523406	10 -26
0523406-1	9 -22
0523406-1	10 -26
0523406-2	9 -22
0523406-2	10 -26
0523406-2	10A-28
0523406-3	9 -22
0523406-3	10 -26
0523406-3	10A-28
0523407	4 -32
0523407	5 -43
0523407	6 -43
0523407	6A-35
0523407-1	4 -33
0523407-1	5 -43
0523407-1	6 -43
0523407-1	6A-36
0523408	4 -36
0523408	6A-45
0523409	9 -20
0523409-1	9 -19
0523409-1	10 -22
0523409-1	10A-24
0523409-2	10 -23
0523409-2	10A-25
0523509-2	5 -17
0523510	4 -16
0523510-1	4 -16
0523510-6	4 -16
0523510-6	5 -18
0523510-6	6 -18
0523510-7	4 -16
0523510-7	5 -18
0523510-7	6 -18
0523511-21	5 -19
0523511-21	6 -19
0523511-4	4 -30
0523511-4	5 -34
0523511-4	6 -34

PART NUMBER	FIGURE AND INDEX NO.
0523511-4	6A-31
0523511-6	4 -18
0523511-6	5 -20
0523511-6	6 -20
0523511-6	6A-17
0523511-7	4 -17
0523511-8	5 -19
0523511-8	6 -19
0523512-3	4 -19
0523512-4	4 -31
0523512-4	5 -35
0523512-4	6 -35
0523512-4	6A-37
0523512-5	7 -22
0523512-7	5 -21
0523512-7	6 -21
0523513-10	4 -20
0523513-3	4 -20
0523513-4	7 -23
0523513-6	4 -20
0523513-7	5 -22
0523513-7	6 -22
0523513-8	5 -22
0523513-8	6 -22
0523513-9	4 -20
0523514-3	4 -21
0523514-4	7 -25
0523515-3	4 -22
0523515-4	7 -27
0523535	15 - 1
0523535	97 -75
0523535-1	15 - 1
0523535-1	97 -75
0523536	15 - 4
0523537	15 - 7
0523537	97 -76
0523541-43	11 - 5
0523541-43	12 - 3
0523541-43	12A- 2
0523541-44	11 - 5
0523541-44	12 - 3
0523541-44	12A- 2
0523541-45	11 - 7
0523541-45	11 -20
0523541-45	12 - 4
0523541-45	12 - 4
0523541-45	12A- 3
0523541-45	12A- 6
0523541-46	11 - 6
0523541-46	11 -21
0523541-46	12 - 4
0523541-46	12 - 9
0523541-46	12A- 3
0523541-46	12A- 6
0523541-47	11 - 6
0523541-47	11 -21
0523541-47	12 - 5
0523541-47	12 -10
0523541-47	12A- 4
0523541-48	11 - 7
0523541-48	11 -20
0523541-48	12 - 5
0523541-48	12 -10
0523541-48	12A- 7
0523541-49	11 -19
0523541-49	12 -11
0523541-49	12A- 8
0523541-50	11 -19
0523541-50	12 -11
0523541-50	12A- 8
0523541-51	12 - 3
0523541-51	12A- 2
0523541-52	12 - 3
0523541-52	12A- 2

PART NUMBER	FIGURE AND INDEX NO.
0523541-53	12 - 4
0523541-53	12 - 9
0523541-53	12A- 3
0523541-53	12A- 6
0523541-54	12 - 4
0523541-54	12 - 9
0523541-54	12A- 3
0523541-54	12A- 6
0523541-55	12 -10
0523541-55	12A- 7
0523541-56	12 - 5
0523541-56	12A- 4
0523541-57	12 -11
0523541-57	12A- 8
0523541-58	12 -11
0523541-58	12A- 8
0523541-59	12 - 5
0523541-59	12A- 4
0523541-60	12 -10
0523541-60	12A- 7
0523541-61	8 - 1
0523541-62	8 - 2
0523541-63	8 - 3
0523542-1	7 -21
0523565-200-791	5 -46
0523565-200-791	6 -46
0523565-201-791	5 -46
0523565-201-791	6 -46
0523565-21	5 -48
0523565-21	6 -48
0523565-22	5 -48
0523565-22	6 -48
0523565-29-791	5 -46
0523565-29-791	6 -46
0523565-30-791	5 -46
0523565-30-791	6 -46
0523566-1	3 -45
0523566-2	3 -45
0523566-5	3 -45
0523566-6	3 -45
0523608-2	16 - 8
0523614-1	16 - 9
0523615-1	16 -11A
0523616-1	16 -13A
0523700	5 -44
0523700	6 -44
0523701-4	4 -44
0523701-4	5 -44
0523701-4	6 -44
0523702-3	3 -37
0523702-4	3 -37
0523800-10	14 -25
0523800-11	14 -25
0523800-12	14 -26
0523800-13	14 -26
0523800-16	14 -13
0523800-17	14 -13
0523800-18	14 -13
0523800-19	14 -13
0523800-24	14 -13
0523800-25	14 -13
0523800-6	14 -23
0523800-7	14 -23
0523800-8	14 -24
0523800-9	14 -24
0523806	14 -14
0523806-1	14 -14
0523807	14 -31
0523808	14 -15
0523808-2	14 -15
0523809	14 -16
0523809-1	14 -16
0523810	14 -17
0523811	14 -18

PART NUMBER	FIGURE AND INDEX NO.
0523811-1	14 -18
0523812-2	14 -19
0523812-3	14 -19
0523813-1	14 -27
0523813-2	9 -24
0523813-2	10 -28
0523813-2	10A-30
0523813-3	9 -23
0523813-3	10 -27
0523813-3	10A-29
0523813-4	9 -25
0523813-4	10 -29
0523813-4	10A-31
0523813-5	9 -26
0523813-5	10 -30
0523813-5	10A-32
0523813-6	14 -29
0523813-7	14 -30
0523813-8	14 -28
0523814-5	14 -21
0523814-7	14 -21
0523814-8	14 -21
0523901	15 -13
0523901-1	15 -13
0523901-2	15 -29
0523901-29	15 -38
0523901-3	15 -29
0523901-31	15 -13
0523901-32	15 -13
0523901-4	15 -30
0523901-5	15 -30
0523901-6	15 -31
0523901-7	15 -31
0523901-8	15 -24
0523901-9	15 -25
0523911	15 -21
0523911-1	15 -21
0523912	15 -28
0523912-1	15 -22
0523914	15 -26
0523918	15 -32
0523919	15 -17
0523920	15 -16
0523921	15 -15
0523922	15 -18
0523923	15 -23
0526001-1	13A- 2
0526001-3	13A- 1
0541103-16	41 -24
0541105	40 - 7
0541105	40A- 7
0541105	41 - 7
0541111-2	40 -26
0541111-2	40A-41
0541111-2	41 -37
0541115-2	70 - 9
0541115-3	70 - 8
0541115-4	70 -11
0541115-4	70 -12
0541116-2	44 - 7
0541116-25	44 -35
0541116-26	44 -35
0541116-27	44 -36
0541116-28	44 -36
0541116-3	44 - 7
0541124-1	41 -17
0541126	127 -16
0541126	128 -14
0541126-1	127 -16
0541126-1	128 -14
0541128	126 - 5
0541128	127 -10
0541128	128 - 9
0541129	126 - 7

PART NUMBER	FIGURE AND INDEX NO.
0541129	127 - 3
0541129	128 - 3
0541137-11	127 -37
0541137-11	128 -35
0541138-16	91 -11
0541138-16	93 -
0541138-22	93 -
0541138-5	93 - 3
0541139	93 - 1
0541140	93 - 2
0541143	93 - 5
0541144	93 - 6
0541147-2	93 -10
0541148	93 -14
0541148-1	93 - 9
0541149	93 -15
0541151	93 -16
0541161-2	43 - 7
0541162-1	70 -23
0541183-9	43 -
0541184-2	93 -10
0541184-200	93 -10
054624-3	68D- 5
054624-3	68D- 8
0550100-6	104 -41
0550100-6	105 -39
0550100-6	114 -36
0550100-9	74 -34
0550100-9	74 -57
0550100-9	75 -26
0550100-9	76 -51
0550153-1	74 - 2
0550153-1	75 - 8
0550153-1	75 - 8
0550153-1	75 - 9
0550154-2	75 - 7
0550155	75 - 6
0550156	75 - 9
0550209-1	68A-42
0550209-1	688-41
0550209-1	68C-44
0550209-1	77 -53
0550227-2	81 -
0550227-4	81B -
0560006-1	94A -
0560006-1	95 -63
0700005-90	125 - 9
0700029-1	2A-12
0700030-1	119 - 5
0700030-1	120 - 5
0700030-2	119 - 6
0700030-2	120 - 6
0700030-3	119 -11
0700030-4	119 -10
0700030-5	119 -16
0700030-6	119 -26
0700030-7	119 -25
0700030-8	119 - 3
0700030-8	120 - 3
0700030-9	119 - 4
0700030-9	120 - 4
0700031-2	18 -44
0700031-2	124 - 9
0700036-2	67 -43
0700036-2	68 -42
0700039-PC2	125 -11
0700053-1	2A-12
0700058-1	53 - 3
0700061-1	2 - 2
0700061-2	2 - 3
0700061-2	2 -30
0700064-1	2 -12
0700064-1	69 -16
0700065-1	2 -22

PART NUMBER	FIGURE AND INDEX NO.	PART NUMBER	FIGURE AND INDEX NO.	PART NUMBER	FIGURE AND INDEX NO.
0700065-1	94 -25	0700092-PA4	122 -13	0700105-415	59 - 5
0700067-2	129 - 1	0700092-PA6	121 -11	0700105-416	59 - 6
0700067-22	129 -27	0700092-PA6	122 -12	0700105-417	# 64 - 9
0700067-23	129 - 9	0700092-PA8	121 -12	0700105-418	57 -25
0700067-24	129 -14	0700092-PA8	122 -13	0700105-418	58 -20
0700067-24	129 -25	0700092-PC3	125A- 7	0700105-419	57 -26
0700067-25	129 - 9	0700092PC4	121 -50	0700105-419	58 -21
0700067-26	129 - 9	0700092PC4	122 -48	0700105-423	24 -77
0700067-27	129 -14	0700092PC4	106 -41	0700105-424	24 -77
0700067-27	129 -25	0700099-82	118 - 7	0700105-425	59A- 7
0700067-28	129 -14	0700099-84	74 -56	0700105-425	62 -10
0700067-28	129 -25	0700100-191	53 -12	0700105-427	59A-
0700067-29	129 - 9	0700100-192	57 - 5	0700105-430	59A- 6
0700067-3	129 - 6	0700100-34	56 -15	0700105-431	59A- 9
0700067-30	129 -14	0700101-143	56 - 2	0700105-432	59A-
0700067-30	129 -25	0700101-144	55 - 7	0700105-433	55 -15
0700067-31	129 -20	0700101-144	56 - 3	0700105-451	59A- 1
0700067-32	129 -20	0700104-24	69 -32	0700105-452	59A- 1
0700067-33	129 -20	0700104-25	69 -32	0700105-453	59A- 7
0700067-34	129 -20	0700104-89	59A-10	0700105-455	57 - 2
0700067-35	129 -15	0700105-10	64 - 9	0700105-456	57 - 4
0700067-37	129 -24	0700105-11	64 - 4	0700105-457	# 64 - 9
0700067-38	129 -19	0700105-2	59A- 9	0700105-462	# 64 - 6
0700067-4	129 -10	0700105-20	59 - 5	0700105-463	57 -30
0700067-41	129 -18	0700105-20	59A- 6	0700105-463	58 -24
0700067-42	129 -23	0700105-201	56 - 1	0700105-464	57 -31
0700067-43	129 - 1	0700105-202	57 -24	0700105-464	58 -25
0700067-43	129 - 6	0700105-202	58 -19	0700105-465	# 64 - 4
0700067-45	129 -10	0700105-203	56 -	0700105-477	# 53 - 9
0700069-1	129 -29	0700105-204	58 -15	0700105-478	# 53 - 9
0700072-3	129 -48	0700105-21	59 - 6	0700105-479	58 -12
0700072-4	129 -48	0700105-226	# 53 - 2	0700105-480	58 -13
0700072-5	129 -49	0700105-24	57A- 4	0700106-1	59 -22
0700072-6	129 -50	0700105-243	56 -	0700111-1	26 -14
0700072-7	129 -51	0700105-247	# 53 - 1	0700111-2	26 -14
0700076-1	120 -12	0700105-253	57 - 1	0700112-1	26 -13
0700076-2	120 -12	0700105-254	57 - 3	0700112-2	26 -13
0700083-1	129 -27	0700105-261	56 - 5	0700113-1	59A-35
0700085-PC2	125 -12	0700105-262	56 - 6	0700113-1	60 -36
0700087-1	105 - 9	0700105-265	58 -22	0700113-1	63C-72
0700087-10	104 -11	0700105-266	55 -17	0700114-10	# 54 - 4
0700087-10	105 -10	0700105-266	56 -16	0700114-11	58 - 1
0700087-12	106 -10	0700105-273	54 - 3	0700114-11	# 57 - 2
0700087-13	105 -50	0700105-274	54 - 4	0700114-12	58 - 2
0700087-13	105 -50A	0700105-28	57 - 7	0700114-12	# 57 - 4
0700087-15	104 -29A	0700105-28	58 - 3	0700114-13	57 -19
0700087-15	105 -27A	0700105-282	# 53 -18	0700114-14	57 -20
0700087-16	104 -30B	0700105-301	53 -17	0700114-20	# 57 -27
0700087-16	105 -28B	0700105-302	53 -16	0700114-20	# 57A-18
0700087-18	74 -56	0700105-303	53 -15	0700114-200	# 60 - 1
0700087-19	75 -43	0700105-304	53 -14	0700114-200	# 61 - 1
0700087-2	105 -24	0700105-305	53 -13	0700114-201	# 60 - 1
0700087-20	113 -16A	0700105-317	53 - 9	0700114-201	# 61 - 1
0700087-21	118A-14	0700105-321	53 -17	0700114-202	# 60 -14
0700087-22	118A-12	0700105-322	53 -16	0700114-203	# 60 -14
0700087-23	118A- 5	0700105-323	53 -14	0700114-204	# 61 -16
0700087-24	118A- 6	0700105-351	# 64 - 6	0700114-205	# 61 -16
0700087-26	118A-11	0700105-359	59 - 6	0700114-27	55 -15
0700087-27	118A-13	0700105-361	59 - 4	0700114-27	56 -11
0700087-28	117A-37	0700105-369	59 -	0700114-29	55 - 1
0700087-29	106 -37	0700105-385	59A-	0700114-32	57 -20
0700087-29	118A- 5	0700105-390	59A-	0700114-33	57 -19
0700087-30	106 -38	0700105-396	53 -23	0700114-35	# 57 -21
0700087-30	118A- 6	0700105-397	59A- 7	0700114-35-273	57 -21
0700087-4	105 -52	0700105-397	62 -10	0700114-35-273	58 -14
0700087-5	105 -53	0700105-398	59A- 1	0700114-35-434	57 -21
0700087-7	108 -13	0700105-399	59A- 1	0700114-40	# 60 -
0700087-8	108 -22	0700105-400	59A- 7	0700114-42	# 60 -15
0700087-9	106 - 1	0700105-407	58 -26	0700114-42	# 61 -17
0700092-KA2	121 -12A	0700105-407	# 57 -32	0700114-42	# 63 -16
0700092-KA2	122 -13A	0700105-407	# 57A-13	0700114-42	# 63A-15
0700092-PA1	121 -11	0700105-408	59 -	0700114-43	# 60 -
0700092-PA1	122 -12	0700105-413	59 - 4	0700114-44	# 60 -10
0700092-PA4	121 -12	0700105-414	59 - 6	0700114-44	# 61 -12

PART NUMBER	FIGURE AND INDEX NO.	PART NUMBER	FIGURE AND INDEX NO.	PART NUMBER	FIGURE AND INDEX NO.
0700114-44	# 63 -10	0700147-41	90 -11	0700191-1	□ 55 -15
0700114-44	# 63A- 8	0700147-42	90 -12	0700191-2	□ 55 -15
0700114-45	# 60 -15	0700147-43	40 -11	0700191-3	□ 55 -15
0700114-45	# 61 -17	0700147-44	75 -43	0700193-16	28 - 8
0700114-46	# 60 -10	0700147-45	118A-16	0700193-16	68B- 1
0700114-46	# 61 -12	0700147-45	113 -19A	0700193-2	28 - 8
0700114-47	□ 57 -19	0700147-46	74 -48	0700193-2	68B- 1
0700114-48	□ 57 -20	0700147-46	76 -54	0700195-1	□ 68B-23
0700114-49	# 55 - 1	0700147-47	75 -10	0700195-11	□ 68B-23
0700114-50	# 55 - 4	0700147-47	106 -39	0700195-12	□ 68B-23
0700114-51	# 55 - 5	0700147-47	118A-16	0700195-3	□ 68B-23
0700114-53	□ 55 -15	0700147-48	118A-13	0700195-4	□ 68B-23
0700114-54	□ 55 -15	0700147-49	118A-14	0700195-6	□ 68B-23
0700114-54-434	55 -15	0700147-5	120A-36	0700195-8	□ 68B-23
0700114-55	69A-10	0700147-5	120B-13	0700197-1	2 -34D
0700114-56	□ 57 - 4	0700147-50	118A-12	0700197-1	2A-23D
0700114-59	□ 57 - 2	0700147-51	106 -37	0700214-1	2B-31
0700114-61	# 55 - 1	0700147-51	118A- 5	0700214-1	2C-29
0700114-62	□ 53 - 2	0700147-52	106 -38	0700309-2	76 -18A
0700114-63	# 61 -	0700147-52	118A- 6	0700309-2	77 -49
0700114-64	# 61 -	0700147-53	118A-11	0700309-2	84 - 2
0700114-7	55 - 5	0700147-54	120C-24	0700309-5	84 - 5
0700114-8	55 - 4	0700147-55	120C-26	0700313-25	86 - 6
0700114-9	□ 54 - 3	0700147-56	120C-53	0700313-64	86 - 7
0700120-1	124 -	0700147-59	13 - 6D	0700313-74	86 - 7
0700122-1	# 70 -14	0700147-6	120A-28	0700318-2	76 -18
0700122-2	# 70 -14	0700147-6	120B-21	0700318-2	77 -48
0700123-14	77A- 9	0700147-7	120A-12	0700318-2	84 - 7
0700123-2	77A- 9	0700147-7	120B-23	0700318-3	84 - 9
0700123-4	77A- 5	0700147-8	77 -12	0700318-4	84 - 8
0700123-7	77A- 5	0700147-9	76 -20	0700318-7	77A-10
0700123-9	77A- 9	0700148-1	□ 123A-29	0700318-7	84 -10
0700126-1	64 - 5A	0700151-1	2A-24	0700318-8	77A-12
0700128-2	2A-18	0700152-1	2 -37	0700319-12	86 - 5
0700143-1	2 -40	0700152-2	2 -37	0700319-13	2 - 9A
0700147-1	113 -16A	0700153-1	2 -34	0700319-13	2A-11
0700147-10	75 -43	0700154-1	2A-23	0700319-13	86 - 9
0700147-11	104 -29A	0700162-1	68A-67	0700319-5	86 - 2
0700147-11	105 -27A	0700162-1	68B-31	0700319-6	86 - 1
0700147-12	104 -30B	0700162-1	68C-33	0700320-1	59 -36
0700147-12	105 -28B	0700162-3	68A-66	0700320-1	59A-39
0700147-13	104 -32	0700162-3	68B-30	0700320-1	62 -13
0700147-13	105 -30	0700162-3	68C-32	0700320-1	64 -21
0700147-14	75 -10	0700162-4	68A-66	0700320-1	64A- 5
0700147-14	106 -39	0700162-4	68B-30	0700322-4	88 -10
0700147-14	118A-16	0700162-4	68C-32	0700322-4	88A-27
0700147-15	108 -14	0700162-6	68A-66	0700322-8	88A-44
0700147-16	74 -48	0700162-6	68B-30	0700322-9	88A-28
0700147-16	76 -54	0700162-6	68C-32	0700325-2	88 - 7
0700147-17	75 -10	0700162-7	68A-66	0700325-2	88A-24
0700147-17	106 -39	0700162-7	68B-30	0700326-1	88 - 2
0700147-17	118A-16	0700162-7	68C-32	0700327-1	88 - 1
0700147-18	113 -16B	0700164-6	130 - 1	0700329-200	86 - 1
0700147-19	90 - 4	0700166-1	2 -43	0700329-5	86 - 2
0700147-2	117D-20	0700166-1	2A-27	0700616-1	123 -51
0700147-20	90 - 5	0700166-1	2B- 5	0700616-2	123 -54
0700147-21	90 -11	0700166-1	2C- 5	0700617-1	123 -60
0700147-22	90 -12	0700166-1	49 -41	0700626-1	88 -11
0700147-28	40 -11	0700166-2	2 -43	0700626-1	88A-30
0700147-28	40A-11	0700166-2	2A-27	0700630-10	# 63 -
0700147-35	120A-35	0700166-2	2B- 5	0700630-11	# 63 -
0700147-35	120B-12	0700166-2	2C- 5	0700630-12	# 63 -
0700147-35	120C-12	0700166-2	50 -36A	0700630-202	# 63 -14
0700147-36	120A-36	0700167-2	2 -44	0700630-203	# 63 -14
0700147-36	120B-13	0700167-2	68A-69	0700630-204	# 63 -14
0700147-36	120C-13	0700167-2	68B-43	0700630-207	# 63 - 1
0700147-37	120A-28	0700167-3	2 - 4	0700630-208	# 63 - 1
0700147-37	120B-21	0700173-1	2 -50	0700630-224	# 63 - 1
0700147-38	120A-12	0700173-2	2A-30	0700630-41	# 63 -
0700147-38	120B-23	0700174-1	2A-23B	0700630-42	# 63 -
0700147-39	90 - 4	0700175-1	2 -34B	0700630-47	# 63 -
0700147-4	120A-35	0700189-2	68A-65	0700630-48	# 63 -
0700147-4	120B-12	0700189-9	68B-29	0700630-9	# 63 -
0700147-40	90 - 5	0700189-9	68C-31	0700631-5	63 -24

PART NUMBER	FIGURE AND INDEX NO.	PART NUMBER	FIGURE AND INDEX NO.	PART NUMBER	FIGURE AND INDEX NO.	
0700631-5	□	63 -24	0705015-1	2B- 2A	0710001-31	131 -54
0700631-6		63 -24	0705015-1	2C- 1A	0710001-31	132 -54
0700631-6	□	63 -24	0705015-2	2C- 2A	0710001-32	131 -57
0700633-1		63 -32	0705015-3	2B- 3A	0710001-32	132 -57
0700633-1		63B- 6	0705019-1	2B-28	0710001-34	131 -51
0700633-2		63 -31	0705019-2	2B-28	0710001-34	132 -51
0700633-2		63B- 4	0705019-3	2B-28	0710001-36	131 -60
0700633-4		63 -32	0705019-4	2B-28	0710001-36	132 -60
0700633-4		63B- 6	0705021-2	2B-16	0710001-4	131 -30
0700633-5		63C-53	0705021-2	2C-13	0710001-4	132 -30
0700634-1		63 -38	0705022-1	2B-30	0710001-42	131 -42
0700634-1		63B- 1	0705022-1	2C-28	0710001-42	132 -42
0700636-1		63 -80	0705023-1	2C-30	0710001-45	131 -46
0700638-1		63 -40	0705023-1	13 -42	0710001-45	132 -46
0700639-1		63 -29	0705023-2	2C-30	0710001-46	131 -19
0700639-2		63 -30	0705023-2	13 -43	0710001-46	131 -19A
0700639-2		63B-35	0705023-4	2B-32	0710001-46	131 -19A
0700639-3		63B-34	0705023-4	13 -42	0710001-46	131 -28
0700640-1		63 -25	0705023-5	2B-32	0710001-46	131 -33
0700640-2		63 -25	0705023-5	13 -44	0710001-46	132 -19
0700640-5		63 -26	0705023-6	2B-32	0710001-46	132 -28
0700640-6		63 -26	0705023-6	13 -43	0710001-46	132 -33
0700641-1		63 -27	0705023-7	2C-30	0710001-49	132 -69
0700641-2		63 -28	0705023-7	13 -44	0710001-5	131 - 9
0700641-3		63B-41	0705028-1	2B-47	0710001-5	132 - 9
0700641-4		63B-42	0705028-1	2C-37	0710001-50	131 -70
0700641-5		63 -27	0705028-1	94B-27	0710001-50	132 -70
0700642-1		63 -54	0705029-1	2B- 2B	0710001-51	131 -71
0700643-1		63 -56	0705029-2	2B- 3B	0710001-51	132 -71
0700644-1		63 -59	0705030-1	2B-35	0710001-52	132 -72
0700645-1		63 -65	0705030-2	2B-36	0710001-54	131 -11
0700645-1		63B-38	0705031-1	2B-37	0710001-54	132 -11
0700645-2		63 -66	0705032-1	2C-38	0710001-56	131 -73
0700645-2		63B-39	0705032-2	2B-50	0710001-57	131 -74
0700645-3		63 -67	0705033-1	2C-33	0710001-58	131 -75
0700645-3		63B-40	0705033-2	2B-42	0710001-59	131 -76
0700645-4		63 -68	0705034-1	2C-39	0710001-6	131 -10
0700645-4		63B-40	0705034-2	2B-49	0710001-6	132 -10
0700646-1	□	63 -19	0710001-1	131 -15	0710001-60	131 -77
0700646-2	□	63 -20	0710001-1	132 -15	0710001-61	131 -78
0700646-3	□	63A-18	0710001-10	131 -16	0710001-62	131 - 8
0700646-4	□	63A-19	0710001-10	132 -16	0710001-62	131 -21
0700692-1		8A-10	0710001-11	131 -49	0710001-62	132 - 8
0700719-1	□	63A-28	0710001-11	132 -49	0710001-62	132 -21
0700720-1		2A-16	0710001-12	131 -48	0710001-64	131 -69
0700721-1		2 -29	0710001-12	132 -48	0710001-72	131 -44
0700739-1		2A-23A	0710001-13	131 -44	0710001-73	131 -39
0700740-1		2 -34A	0710001-13	132 -44	0710001-74	131 -77
0700742-1		2 -32B	0710001-14	131 -39	0710001-8	131 -12
0700742-1		2A-21B	0710001-14	132 -39	0710001-8	132 -12
0700742-1		2B- 1	0710001-15	131 -45	0710003-10	24 -52
0700742-1		2C- 3	0710001-15	132 -45	0710003-12	24 -47
0700745-1		2 -34C	0710001-16	131 - 4	0710003-16	22 - 5
0700745-1		2A-23C	0710001-16	132 - 4	0710003-16	23 - 4
0700748-1		2 -29B	0710001-17	131 - 6	0710003-18	22 - 4
0700748-1		2A-16B	0710001-17	132 - 6	0710003-18	23 - 5
0700750-1		2A-16A	0710001-19	131 -17	0710003-19	24 -27A
0700752-1		2 -29A	0710001-19	132 -17	0710003-3	24 -33
0700756-1		69A-10	0710001-2	131 -20	0710003-4	24 -33
0701028-2		102A- 1	0710001-2	132 -20	0710003-40	24 -17A
0705004-1		2B-13	0710001-20	131 -31	0710003-40	24 -17B
0705004-1		2C-10	0710001-20	132 -31	0710003-41	24 -17A
0705004-1		97 -58	0710001-23	131 - 1	0710003-41	24 -17B
0705005-1		2B- 9	0710001-23	132 - 1	0710003-5	24 -46
0705005-1		68B-43	0710001-25	131 - 5	0710003-6	24 -46
0705005-2		2B- 9	0710001-25	132 - 5	0710003-7	24 -53
0705006-1		2B-10	0710001-26	131 -34	0710003-8	24 -53
0705006-1		2C-23	0710001-26	131 -36	0710003-9	24 -55
0705006-2		2B-10	0710001-26	132 -34	0710004-3	24 -59
0705006-2		2C-23	0710001-26	132 -36	0710005-1	24 -37
0705014-1		2B-10A	0710001-3	131 - 7	0710005-2	24 -38
0705014-1		2C-24	0710001-3	132 - 7	0710006-1	24 -25
0705014-2		2B-10A	0710001-30	131 -53	0710006-2	24 -25
0705014-2		2C-24	0710001-30	132 -53	0710006-4	24 -26

PART NUMBER	FIGURE AND INDEX NO.
0710007-1	24 -48
0710007-3	24 -48
0710008-1	126 -15
0710008-3	24 -45
0710009-1	35 -15
0710009-1	35A-47
0710009-3	35A-47
0710010-10	126 -31
0710010-11	126 -37
0710010-15	126 -48
0710010-16	126 -39
0710010-17	126 -34
0710010-18	126 -34
0710010-19	126 -38
0710010-23	126 -48
0710010-3	126 -28
0710010-4	126 -28
0710010-5	126 -29
0710010-6	126 -29
0710010-7	126 -30
0710010-8	126 -30
0710010-9	126 -31
0710011-1	35 - 6
0710011-1	66 -14
0710013-5	88A-34
0710014-3	88A-42
0710014-4	88A-43
0710014-8	88A-39
0710015-13	88A-37
0710015-6	88A-41
0710020-14	25 -32
0710022-1	88A-39A
0710023-1	26 - 9
0710023-2	26 -10
0710024-1	26 - 8
0710024-1	26 - 8
0710024-2	26 - 8
0710024-3	26 - 8
0710025-1	25 -33
0710025-1	126 -27
0710025-1	127 -29
0710025-1	128 -27
0710025-2	25 -29
0710026-1	26 -16
0710026-2	26 -16
0710026-3	26 -18
0710026-4	26 -18
0710026-5	26 -19
0710026-6	26 -19
0710031-1	24 -62
0710031-4	24 -62
0710031-4	35A-66
0710034-1	24 -32
0710103-2	123 - 7
0710103-3	123 -
0710103-5	123 - 2
0710104-1	24 -85
0710105-3	26 -22
0710105-4	26 -22
0710106-3	26 -24
0710106-4	26 -24
0710107-3	26 -25
0710107-4	26 -25
0710108-3	26 -15
0710109-1	22 -18
0710109-1	23 -19
0710109-2	22 -19
0710109-2	23 -20
0710110-1	26 -20
0710110-2	26 -20
0710111-1	26 -21
0710111-2	26 -21
0710112-1	26 -20
0710112-2	26 -20

PART NUMBER	FIGURE AND INDEX NO.
0710113-3	26 -18
0710113-4	26 -18
0710113-5	26 -17
0710113-6	26 -17
0710302-1	59A-25
0710302-1	62 -66
0710304-2	59 -11
0710304-2	59A-20
0710306-1	59A-37
0710308-1	59A-28
0710308-1	62 -69
0710312-2	59A-33
0710312-2	60 -47
0710312-2	62 -21
0710312-2	63 -76
0710313-2	59A- 4
0710313-2	62 - 6
0710316-1	59 - 7
0710316-1	59A-15
0710317-1	59A-26
0710317-1	62 -68
0710639-2	46B-57
0710639-5	46B-32
0710641-1	120A-44
0710641-1	120B-40
0710641-1	120C-41
0710642-1	120A-38
0710642-1	120B-34
0710642-2	120C-35
0710643-1	120A-46
0710643-1	120B-42
0710643-1	120C-43
0710644-1	120A-45
0710644-1	120B-41
0710644-1	120C-42
0710645-1	120A-46
0710645-1	120B-43
0710645-1	120C-44
0710646-1	120A-47
0710646-1	120B-44
0710646-1	120C-45
0710647-1	120A-48
0710647-1	120B-45
0710647-1	120C-46
0710648-1	120A-34
0710648-1	120B- 9
0710648-1	120C- 9
0710650-1	120A-17
0710650-1	120B-59
0710650-1	120C-60
0710650-1	120C-61
0710650-2	120A-10
0710650-2	120B-58
0710652-1	120A- 9
0710652-1	120B-57
0710652-1	120C-59
0710656-1	24 -19
0710656-2	24 -19
0711001-25	49 - 8
0711001-26	50 -10
0711001-29	49 -17
0711001-29	50 -17
0711001-35	49 -14
0711001-36	50 -14
0711001-43	49 -10
0711001-45	49 - 9
0711001-52	49 -15
0711001-52	50 -15
0711003	24 -34
0711003	25 -16
0711006-1	22 -23
0711006-1	23 -27
0711006-2	22 -24
0711006-2	23 -27

PART NUMBER	FIGURE AND INDEX NO.
0711016-1	51 -28
0711016-1	51A- 4
0711017-1	51 -16
0711018-19	51 - 6
0711018-20	51 - 7
0711018-25	51 - 8
0711018-27	51 - 4
0711018-27	51 -29
0711018-32	51 -24
0711018-33	51 -24
0711018-36	51 -17
0711018-37	51 -17
0711019-1	51 -15
0711021-4	49 -31
0711021-4	50 -29
0711021-7	49 -36
0711021-7	50 -38
0711021-9	49 -33
0711021-9	50 -31
0711023-100	50 - 1
0711023-101	49 - 1
0711023-105	49 - 1
0711023-14	49 -19
0711023-14	50 -19
0711023-15	49 -20
0711023-15	50 -20
0711023-200	50 - 1
0711023-201	49 - 1
0711023-202	50 - 1
0711023-203	49 - 1
0711023-205	49 - 1
0711023-61	49 - 1
0711023-72	50 - 1
0711023-75	49 - 1
0711023-76	50 - 1
0711023-77	50 - 1
0711023-85	49 - 1
0711023-86	50 - 1
0711023-94	50 - 1
0711023-95	49 - 1
0711024-4	32 -16
0711027-1	49 -40
0711027-1	50 -36
0711029-1	51 -10
0711029-2	51 -10
0711032-2	51 -21
0711033-1	49 -24A
0711037-1	49 - 6
0711037-10	49 - 7
0711037-11	50 - 8
0711037-2	50 - 6
0711037-3	49 - 7
0711037-4	50 - 8
0711037-5	49 - 6
0711037-6	50 - 6
0711038-1	49 - 6
0711038-1	49 - 7
0711038-1	50 - 9
0711039-1	49 -12
0711040-1	49 -11
0711040-14	50 -11
0711040-2	50 -11
0711050-19	49 -24A
0711050-20	50 -22
0711050-202	50 -22
0711050-203	49 -24A
0711050-5	49 -28
0711050-6	50 -26
0711051-1	49 -26
0711051-1	50 -24
0711051-2	49 -26
0711051-2	50 -24
0711053-1	24 -63

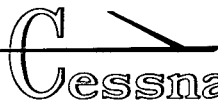
PART NUMBER	FIGURE AND INDEX NO.
0711054-2	24 -61
0711059-1	126 -62
0711059-1	126 -66
0711059-1	126 -69
0711059-1	127 -59
0711060-1	51 -14
0711061-1	49 -22
0711061-1	51 -
0711061-2	50 -22
0711061-2	51 -
0711062-1	51 - 2
0711062-2	51 - 2
0711063-1	51 - 9
0711063-2	51 - 9
0711063-6	51A-23
0711066-1	30 - 1
0711079-1	58 -19
0711079-1	66 -13
0711079-1	57 -24
0711079-1	57A-17
0711079-6	57 -24
0711079-6	57A-17
0711080-1	66 - 8
0711080-1	65 -17
0711083-1	65 -33
0711083-1	65 -33
0711083-1	65 -33
0711083-1	65A-13
0711083-1	65A-13
0711083-1	65B-17
0711083-1	66 -17
0711083-1	70 -24
0711084-15	24 -51
0711084-16	24 -51
0711085-1	55 - 2
0711086-1	126 - 6
0711086-2	126 -22
0711086-5	126 -22
0711086-6	126 - 6
0711087-1	126 -16
0711087-2	126 -16
0711088-1	126 -20
0711088-2	126 -20
0711088-3	126 -20
0711088-4	126 -20
0711089-1	126 -15
0711089-2	126 -15
0711090-1	24 -82
0711090-2	24 -82
0711091-3	24 -50
0711091-4	24 -50
0711091-5	24 -49
0711091-6	24 -49
0711093-1	49 -36
0711093-1	50 -38
0711094-11	65 - 1
0711094-3	65 - 6
0711094-4	65 - 1
0711094-5	65 - 7
0711095-1	126 -41
0711096-1	126 -47
0711096-2	126 -47
0711097-2	66 - 1
0711097-21	65 -21
0711097-21	66 -12
0711097-25	65 -21
0711097-28	65 -18
0711097-4	66 - 9
0711097-4	65 -21
0711097-5	65 -18
0711098-2	65 -10
0711098-2	65 -24
0711098-2	65A- 6
0711098-3	65 -28

PART NUMBER	FIGURE AND INDEX NO.
0711098-3	66 - 5
0711098-4	65 -28
0711098-4	66 - 5
0711098-5	65 -28
0711098-6	65 -28
0711100-11	35 - 2
0711100-12	35 - 1
0711100-14	35A-37
0711100-14	35B-28
0711100-15	35A-38
0711100-16	35A-37
0711100-17	35A-38
0711100-18	35A-38
0711100-19	35A-37
0711100-20	35A-37
0711100-20	35B-28
0711100-21	35A-38
0711101-10	24 -74
0711101-10	25 -39
0711101-11	24 -75
0711101-11	25 -40
0711101-15	24 -68
0711101-15	25 -44
0711101-16	24 -69
0711101-16	25 -45
0711101-17	24 -60
0711101-17	25 -49
0711101-20	126 -33A
0711101-20	127 -33
0711101-20	128 -31
0711101-29	52 - 1
0711101-32	25 -38
0711101-33	52 - 1
0711101-4	24 -65
0711101-4	25 -41
0711101-40	52 - 1
0711101-42	24 -66
0711101-43	24 -69
0711101-44	126 -33A
0711101-6	24 -67
0711101-6	25 -43
0711101-7	24 -70
0711101-7	25 -46
0711101-8	24 -66
0711101-8	25 -42
0711102	52 - 2
0711111-1	52 - 9
0711112-10	24 -40
0711112-11	127 -52
0711112-11	128 -48
0711112-12	24 -44A
0711112-14	24 -41
0711112-3	24 -44A
0711112-4	126 -19
0711112-5	127 -52
0711112-5	128 -48
0711112-8	24 -41
0711112-8	126 -21
0711112-9	24 -40
0711113-1	26 - 4
0711113-2	26 - 5
0711114-1	26 - 3
0711114-2	26 - 3
0711115-1	26 - 6
0711115-2	26 - 6
0711116-1	24 -58
0711117-1	35 -17
0711118-1	26 - 7
0711121-2	70 - 5
0711122-1	65 - 7
0711122-1	65A- 1
0711128-1	65 -14
0711129-1	24 -83
0711129-2	65 - 4

PART NUMBER	FIGURE AND INDEX NO.
0711129-3	65 - 2
0711129-4	65 -15
0711129-5	24 -82
0711131-3	24 -84
0711131-3	25 -47
0711131-4	24 -84
0711131-4	25 -47
0711132-1	51 - 5
0711132-2	51 - 5
0711133-1	127 -46
0711133-11	57 -12
0711133-11	58 - 6
0711133-11	123A-
0711133-2	57 -13
0711133-2	58 - 7
0711133-2	127 -46
0711133-21	57 -12
0711133-21	58 - 6
0711133-21	123A-
0711133-22	58 - 7
0711133-22	57 -13
0711133-23	57 -12
0711133-23	58 - 6
0711133-23	123A- 2
0711133-29	58 - 6
0711133-29	57 -12
0711133-32	57 -12
0711133-32	123A- 1
0711133-39	57 -12
0711133-40	57 -13
0711133-40	57A- 8
0711133-41	57 -12
0711133-41	123A- 1
0711133-6	57 -12
0711133-6	58 - 6
0711133-6	123A- 2
0711133-72	57A- 8
0711134-1	52 - 9
0711203-104	50 - 1
0711203-204	50 - 1
0711653-3	51A- 1
0711667-1	60 - 5
0711667-1	61 - 6
0711667-1	61A- 6
0711667-1	63 - 5
0711668-1	60 - 4
0711668-1	61 - 5
0711668-1	61A- 5
0711668-1	63 - 4
0711687-2	468-33
0711687-3	468-36
0711687-6	468-42
0711691-1	123A- 6
0711691-1	123A-11
0711693-1	22 - 6
0711693-2	22 - 8
0711693-3	22 - 7
0711693-4	22 - 7
0711693-4	22 - 8
0711693-5	22 - 6
0711693-6	22 - 7
0711693-6	22 - 8
0711696-1	32A-11
0711696-1	95 -72
0711696-2	95 -73
0711697-2	32 -24
0711697-2	32A-35
0711698-3	32A-26
0711698-4	32A-26
0711698-5	32A-28
0711699-1	32A-17
0711699-2	32A-17
0711702-16	65A- 2
0711702-20	65A- 3

PART NUMBER	FIGURE AND INDEX NO.	PART NUMBER	FIGURE AND INDEX NO.	PART NUMBER	FIGURE AND INDEX NO.	
0711702-29	#	65A- 2	0712013-10	35B- 1	0712301-2	38 -35
0711702-5	□	65A- 7	0712013-17	35A-26	0712301-3	38 -36
0711702-6	□	65A- 7	0712013-18	35B-22	0712301-4	38 -37
0711702-7	#	65A- 4	0712013-20	35B-20	0712302-1	38 -30
0711702-8	#	65A- 4	0712013-22	35A-22	0712302-2	38 -30
0711704-1		35A-39	0712013-23	35B-10	0712303-1	35 -44
0711705-1		52 -12	0712013-24	35B-27	0712303-1	35A-61
0711709-1		52 -13	0712013-25	35B-11	0712303-2	35 -44
0711709-2		52 -14	0712013-26	35B- 9	0712303-2	35A-61
0711710-5		22 -23	0712013-27	35B- 6	0712304-1	35 -51
0711710-6		22 -24	0712013-28	35B-12	0712304-1	35A-67
0711786-1		24 -59	0712013-29	35B-13	0712304-10	38 -32
0711788-1		51A- 4	0712013-3	35B-29	0712304-12	35 -52
0711794-1		35A-43A	0712013-30	35B-17	0712304-12	35A-68
0711795-1		35A-47A	0712013-31	35B-15	0712304-3	38 -31
0711801-2		24 -44	0712013-33	35B-38	0712304-4	38 -31
0712000-13		35A-37	0712013-34	35B-36	0712305-3	38 -22
0712000-2		35 -39	0712013-35	35B-37	0712305-4	38 -22
0712000-2		35A- 1	0712013-36	35B-35	0712306-10	38 - 4
0712000-31		35 -23	0712013-37	35B- 2	0712306-9	38 - 3
0712000-31		35A- 2	0712013-38	35B-14	0712307-1	19 -46
0712000-32		35 -32	0712013-9	35B-16	0712307-2	19 -47
0712000-32		35A- 3	0712014	120C-75	0712309-1	98 -28
0712000-34		35 -26	0712014	120C-76	0712309-1	99 -28
0712000-34		35A- 6	0712014	120C-77	0712309-10	35 -47
0712000-35		35 -35	0712014	120C-78	0712309-10	35A-12
0712000-35		35A- 7	0712014-1	120A- 3	0712309-11	35 -36
0712000-36		35 -38	0712014-1	120B-73	0712309-11	35A- 5
0712000-36		35A- 8	0712014-1	126 -40	0712309-12	35 -36
0712000-38		35 -36	0712014-2	120A- 4	0712309-12	35A- 5
0712000-38		35A- 4	0712014-2	120B-74	0712309-15	38 - 5
0712000-7		38 -24	0712014-2	126 -40	0712309-4	38 - 5
0712001-1		35 -52	0712014-6	120A- 5	0712309-5	35 -45
0712001-1		35A-68	0712014-6	120B-75	0712309-5	35A-59
0712002-1		35 -51	0712014-7	120A- 6	0712309-5	98 -32
0712002-1		35A-53	0712014-7	120B-76	0712309-5	99 -32
0712002-1		35A-67	0712015-1	35 -27	0712309-6	35 -45
0712004-1		35 - 5	0712015-1	35A-35	0712309-6	35A-59
0712004-1		35A-42	0712015-2	35 -27	0712309-6	98 -33
0712005-1		35 -20	0712015-2	35A-36	0712309-6	99 -33
0712006-1		35 -30	0712016-1	35A-32	0712309-7	35 -46
0712006-1		35A-57	0712020-1	35B-25	0712309-7	35A-60
0712006-2		35 -30	0712022-1	35B- 5	0712309-7	98 -34
0712006-2		35A-58	0712026-1	35B-21	0712309-7	99 -34
0712007-1		35 -24	0712027-1	35B-28	0712309-8	35 -46
0712007-1		35A-27	0712028-1	35B-34	0712309-8	35A-60
0712007-2		35 -37	0712030-1	35B-33	0712309-8	98 -35
0712007-2		35A-33	0712031	122 -49	0712309-8	99 -35
0712007-3		35 -37	0712031-1	121 -51	0712309-9	35 -47
0712007-3		35A-34	0712201-2	35 -22	0712309-9	35A-12
0712007-4		35 -25	0712201-2	35A-52	0712311-14	38 - 8
0712007-4		35A-28	0712201-4	35 -20	0712311-15	38 - 1
0712007-4		120B-79	0712201-4	35A-50	0712311-3	38 - 9
0712007-4		120C-81	0712201-5	35 -19	0712311-7	38 - 2
0712007-5		35 -33	0712201-5	35A-49	0712400-11	39 - 1
0712007-5		35A-29	0712202-4	35 -30	0712400-12	39 - 4
0712007-6		35 -34	0712202-4	35A-55	0712400-13	39 - 1
0712007-6		35A-30	0712202-5	35 -29	0712400-15	39 - 5
0712007-7		35 -34	0712202-5	35A-54	0712400-4	39 - 5
0712007-7		35A-31	0712204-4	38 -19	0712400-9	39 - 1
0712008-1		35 -48	0712204-5	38 -18	0712500-1	100 -36
0712008-1		35A-48	0712205-10	38 -20	0712500-10	100 -42
0712008-1		65B-15	0712205-13	38 -19	0712500-11	100 -49
0712008-1		66 -15	0712205-14	38 -19	0712500-13	100 -53
0712008-2		35A-48	0712206	38 -27	0712500-14	100 -39
0712008-2		65B-15	0712206-2	38 -29	0712500-16	100 -47
0712009-1		35 -49	0712207-1	38 -25	0712500-17	100 -52
0712009-1		35A-49	0712207-2	38 -26	0712500-18	100 -55
0712009-1		65B-16	0712209	35 -21	0712500-19	100 -58
0712009-1		66 -16	0712212	35 -31	0712500-2	100 -37
0712010-1		37 -	0712212	35A-56	0712500-5	100 -38
0712010-2		35A-63	0712213	17 -41	0712500-6	100 -38
0712010-2		37 -	0712213	18 -43	0712500-7	100 -50
0712010-3		36 - 6	0712301-1	38 -34	0712500-8	100 -40

PART NUMBER	FIGURE AND INDEX NO.	PART NUMBER	FIGURE AND INDEX NO.	PART NUMBER	FIGURE AND INDEX NO.
0712500-9	100 -46	0713018-1	# 16 - 6	0713046	53 - 6
0712501	100 -51	0713018-3	40 - 3	0713047	2 -10
0712502	100 -54	0713018-3	40A- 3	0713047	2A- 8
0712518-1	24 -49A	0713018-3	41 - 3	0713047	2C-17
0712518-2	24 -49A	0713018-4	40 - 1	0713049-10	56 - 8
0712601	36 -	0713018-4	40A- 1	0713049-2	55 -11
0712601-2	36 - 1	0713018-4	41 - 1	0713049-7	55 -12
0712601-2	37 - 3	0713018-5	40 - 1	0713049-7	56 - 9
0712601-3	36 - 2	0713018-5	40A- 1	0713052	28 -52
0712601-3	37 - 1	0713018-5	41 - 1	0713053-5	28 -27
0712601-4	36 - 4	0713019-1	89 -29	0713053-6	28 -27
0712601-4	37 - 5	0713019-102	89 -15	0713063	90 -35
0712601-6	36 - 1	0713019-104	89 -30	0713065	70 -21
0712601-6	37 - 3	0713019-105	89 -15	0713070-11	90 -34
0712601-8	36 - 2	0713019-33	84 -12	0713070-12	90 -25A
0712601-8	37 - 1	0713019-33	85 -56	0713070-15	90 -22
0712603-2	121 - 9	0713019-7	89 -27	0713070-16	90 -39
0712603-2	122 -10	0713019-86	89 -20	0713070-19	90 -33A
0712605-201	121 - 6	0713019-86	89 -20A	0713070-20	28 -23
0712605-201	122 - 7	0713019-91	89 -22	0713070-23	90 -17
0712655-1	37 - 7A	0713019-94	89 -28	0713070-24	90 -41
0712658-1	35A-20	0713023-3	100 -10	0713070-25	90 -25
0712659-1	35A-25	0713023-7	29 -25	0713070-28	90 -39
0712660-10	35A-15	0713023-7	100 - 9	0713070-31	90 -39
0712660-2	35A-15	0713025-1	100 - 3	0713070-32	90 -24
0712660-4	35A-21	0713025-6	100 - 1	0713070-33	90 -17
0712660-6	35A-24	0713026-4	67 -36	0713070-4	90 -16A
0712660-8	35A-54	0713026-4	67 -39	0713070-5	90 -16B
0712661-1	35A-16	0713026-4	68 -34	0713070-6	90 -26
0712662-1	35A-17	0713026-4	68 -36	0713070-9	90 -31
0712663-1	35A-15A	0713026-4	68 -38	0713074-1	59 - 1
0712663-2	35A-15B	0713026-4	68D- 9	0713074-1	59A- 1
0712663-3	35A-15C	0713026-4	68E- 6	0713074-1	60 - 1
0712663-4	35A-15D	0713026-4	68E- 6A	0713074-1	61 - 1
0712760-1	35A-64	0713026-4	101 -31	0713074-1	61A- 1
0712760-2	35A-64	0713026-4	102 -28	0713074-1	62 - 2
0712761-1	70 -32	0713026-4	124 -14	0713074-1	63 - 1
0712762-1	35A-65	0713026-5	67 -35	0713074-1	63C- 1
0712762-2	35A-65	0713026-5	68 -35	0713080-1	98 -51
0712763-1	24 -54A	0713026-5	68D- 2	0713081-1	98 -47
0712763-2	24 -54A	0713026-6	68B-61	0713082-1	98 -54
0713001-2	55 - 9	0713026-6	68C-64	0713083-1	98 -69
0713001-3	55 - 8	0713026-6	95B-20	0713083-1	99A-22
0713002-1	29 -11	0713026-6	95B-42	0713084-2	98 -52
0713002-10	28 -29	0713026-9	67 -34	0713085-1	98 -53
0713002-12	28 -34	0713026-9	67 -39	0713086-1	98 -79
0713002-2	29 -16	0713026-9	68 -38	0713086-1	99A- 6
0713002-8	28 -30	0713028-3	67 -66	0713086-2	98 -80
0713002-8	29 -12	0713028-3	68 -66	0713086-2	99A- 7
0713002-9	29 -10	0713028-3	68A-17	0713087-1	98 -78
0713003-45	89 -26	0713028-3	68B-17	0713087-1	99A-31
0713003-74	34 -28	0713028-8	67 -66	0713088-3	98 -66
0713003-74	34A-24	0713028-8	68 -66	0713088-3	99A-19
0713003-74	121 -14	0713028-8	68A-17	0713092-1	98 -67
0713003-74	122 -16	0713028-8	68B-17	0713092-1	99A-20
0713005-3	29 -10	0713029	123 - 8	0713093-2	55 -21
0713005-4	29 -10	0713029	123 -31	0713093-2	98 -77
0713006	29 - 9	0713029	123A- 4	0713093-2-243	55 -21
0713007-7	29 - 4	0713032	100 -10	0713093-2-243	56 -20
0713007-8	29 - 4	0713032	100A- 8	0713093-2-243	98 -77
0713008-1	28 -22	0713032-1	100 -15	0713095-1	98 -74
0713008-1	29 -17	0713032-1	100A-13	0713095-1	99A-27
0713008-2	28 -22A	0713032-2	100 -16	0713096-1	98 -45
0713008-2	29 -17	0713032-2	100A-14	0713096-2	98 -45
0713008-4	28 -22A	0713032-3	100 -14	0713099-1	67 -75
0713009-1	69 -14	0713032-3	100A-12	0713099-1	67 -77
0713009-1	69 -30	0713032-4	100 -13	0713099-1	68 -75
0713009-2	69 - 4	0713032-4	100A-11	0713099-1	68 -77
0713009-2	69 -21	0713035	68 -33	0713100-10	31 - 1
0713011-12	70 -15	0713035	68D-10	0713100-11	31 - 1
0713015-10	28 -35A	0713035	68E- 6A	0713100-13	31 - 9
0713015-6	29 -25	0713035	68E- 7	0713100-15	31 - 4
0713015-8	28 -35	0713036-2	125 - 6	0713100-16	29 -28
0713017-22	123A-14	0713038	68 -42	0713100-25	28 -47



PART NUMBER	FIGURE AND INDEX NO.
0713100-25	29 -34
0713100-3	29 -39
0713100-30	29 -28
0713100-4	29 -39
0713100-5	29 -29
0713100-9	29 - 5
0713105-1	28 -11
0713105-1	29 - 3
0713105-2	28 -12
0713105-2	29 - 3
0713106-1	31 -10
0713106-2	31 -10
0713107-1	28 -46
0713107-1	31 -12
0713115-1	29 -26
0713115-3	28 -25
0713116-1	29 -27
0713116-3	28 -26
0713118-200	31 - 5
0713119-1	22 -25
0713119-1	23 -28
0713119-1	28 -53
0713121-1	28 - 6
0713123-1	125 - 7
0713124-1	3 -23
0713125-6	126 -46
0713125-8	68 - 1
0713125-9	126 -46
0713126-1	67 - 2
0713126-1	68 - 2
0713127-1	67 - 7
0713127-1	68 - 9
0713127-1	68A- 7
0713127-1	68B- 6
0713127-1	68C- 9
0713128-1	68A-49
0713128-1	68B-51
0713128-1	68C-54
0713128-1	87 -20
0713129-4	68 -13
0713129-4	68D- 3
0713130-1	121 -29
0713131-1	68 -73
0713133-1	89 -18
0713135-2	28 -42
0713135-2	29 -38
0713135-2	88 -16
0713135-2	88A- 1
0713139-1	28 -42
0713139-1	29 -38
0713139-1	88 -18
0713139-1	88A- 3
0713140-1	28 -42
0713140-1	29 -38
0713140-1	88 -17
0713140-1	88A- 2
0713142-1	28 -17
0713143-1	28 -15
0713143-2	28 -16
0713144-1	28 -20
0713144-2	28 -20
0713145-1	28 -13
0713145-2	28 -13
0713147	28-19
0713147-1	33 -10
0713148-1	87 - 4
0713148-1	87 - 4A
0713149-1	33 - 9
0713149-1	33 -15
0713151-5	28 -37
0713152-1	30 -81
0713153-1	30 -82
0713155-2	53 -20
0713155-3	53 -21

PART NUMBER	FIGURE AND INDEX NO.
0713156-1	126 -44
0713156-1	127 -45
0713156-1	128 -42
0713157-1	68 -86
0713158-1	103 -46
0713158-8	104 -31
0713158-9	105 -29
0713159-1	68 - 5
0713161-1	28 -14
0713163-1	68 -72
0713163-1	101 - 1
0713164-1	89 -29
0713164-2	89 -30
0713165-1	24 -80
0713168-1	28 -50
0713170-1	126 -35
0713170-2	126 -36
0713171-1	67 -39
0713172-1	30 -99D
0713173-1	126 -53
0713173-2	126 -53
0713173-5	126 -55
0713173-6	126 -55
0713174-1	126 -48
0713174-3	28 -54
0713175-1	126 -48
0713176-1	2 -24
0713180-1	16 - 6
0713181-1	16 - 7
0713182-1	28 -51
0713185-1	28 - 8
0713185-1	29 - 2
0713185-1	68 - 1
0713185-1	67 - 1
0713185-3	126 -46
0713187-3-418	67 - 9
0713188-1-418	68 -12
0713188-3	68 -11
0713189-1	67 -86
0713190-1	2 -38
0713190-2	2 -39
0713191-1	70B- 1
0713192-1	67 -32
0713192-2	67 -29
0713192-3	68 -90
0713194-1	70B- 5
0713194-2	70B- 5
0713198-2	28 -55
0713199-1	28 -56
0713207-1	2A- 1
0713207-1	58 - 5
0713208-1	67 -24
0713208-1	67 -87
0713208-1	68 -87
0713209-1	67 -24
0713210-11	2A- 5
0713210-11	69 -17
0713210-16	2 - 8
0713210-16	69 -17
0713210-4	2A- 3
0713210-4	123A- 8
0713217-2	94 -25
0713222-1	2 -23
0713222-1	67 -38
0713222-1	113 - 9
0713224-1	2 - 5
0713224-1	2A- 2A
0713224-1	57 -22
0713226-1	126 - 2
0713226-2	126 - 1
0713227-2	70 -22
0713228-2	2 - 4
0713229-1	129 - 7
0713230-1	129 -30

PART NUMBER	FIGURE AND INDEX NO.
0713233-1	2A- 1
0713234-1	118A- 4
0713234-2	118A- 3
0713236-1	28 -10
0713236-2	28 -10
0713237-3	70 -22
0713238-2	126 -42
0713239-3	126 -44
0713239-6	126 -44
0713241-1	28 -22
0713244-1	101 -35
0713244-1	102 -31
0713246-1	89 -19A
0713247-200	123 -45
0713248-1	31 -10
0713248-2	31 -10
0713249-1	68A- 7A
0713249-1	68B- 7
0713249-1	68C-10
0713249-2	68A- 7B
0713249-2	68B- 8
0713249-2	68C-11
0713250-1	88A-38
0713254-4	69A-10
0713255-5	2A-23E
0713255-8	2 -34E
0713257-1	55 -21
0713257-1	98 -77
0713257-1	99A-30
0713295-1	89 - 8A
0713303-11	135 -17
0713303-2	67 -33
0713303-2	67 -34
0713303-2	67 -35
0713303-2	67 -36
0713303-2	67 -39
0713303-2	68 -33
0713303-2	68 -34
0713303-2	68 -35
0713303-2	68 -36
0713303-2	68 -38
0713303-2	68D- 9
0713303-2	68D-10
0713303-2	88 -36
0713303-2	88A-18
0713303-2	89 -28
0713303-2	101 -31
0713303-2	102 -28
0713303-2	124 -10
0713303-5	67 -33
0713303-7	69 -13
0713303-7	69 -29
0713303-9	135 -16
0713307-1	87 - 4
0713307-1	87 - 8
0713307-2	87 - 4A
0713307-2	87 - 9
0713308-1	68 -63
0713313-1	92 -38
0713313-2	92 -39
0713316-1	106 -19
0713316-2	106 -22
0713321-1	28 -10
0713322-1	89 -15
0713322-6	89 -20A
0713331-1	31 - 4
0713332-1	31 - 4
0713495-10	30 -76
0713495-11	30 -77
0713495-12	30 -77
0713495-13	30 -63
0713495-14	30 -63
0713495-15	30 -74
0713495-16	30 -74

PART NUMBER	FIGURE AND INDEX NO.	PART NUMBER	FIGURE AND INDEX NO.	PART NUMBER	FIGURE AND INDEX NO.
0713495-17	30 -90	0713751-1	68D-10	0713868-3	98 -68
0713495-18	30 -51	0713755-1	28 - 8	0713868-3	99A-21
0713495-21	30 -49	0713755-1	68A- 1	0713871-1	□ 68A-19
0713495-22	30 -48	0713755-10	68A- 6	0713871-1	□ 688-19
0713495-5	30 -45	0713755-5	688- 5	0713871-1	□ 68C-21
0713495-5	30 -47	0713755-10	68C- 5	0713872-1	□ 68A-22
0713495-53	30 -35	0713755-11	68A- 6	0713872-3	□ 68A-23
0713495-53	30 -79	0713755-11	688- 5	0713872-4	□ 68A-23
0713495-54	30 -36	0713755-11	68C- 6	0713872-9	□ 688-22
0713495-54	30 -80	0713755-12	68A- 8	0713875-1	□ 69A- 6
0713495-55	30 -89	0713755-15	68A- 8	0713875-3	□ 69A- 6
0713495-57	30 -44	0713755-15	688- 9	0713878-2	126 -42
0713495-58	30 -47	0713755-4	68A- 7	0713878-5	126 -42
0713495-6	30 -53	0713755-4	68B- 6	0713878-9	126 -45A
0713495-61	30 -43	0713755-4	68C- 9	0713887-1	68B-22
0713495-62	30 -47	0713755-7	68A- 2	0713888-1	68B-22
0713495-63	30 -42	0713755-7	68B- 2	0713889-1	□ 68B-22
0713495-64	30 -47	0713755-7	68C- 2	0713906-1	92 -41
0713495-7	30 -50	0713755-8	68A- 3	0713907-1	□ 92 -43
0713495-8	30 -50	0713755-8	68B- 3	0713914-1	92 -25A
0713495-9	30 -76	0713755-8	68C- 3	0713916-1	120B-77
0713496-3	30 -21	0713755-9	68A- 4	0713916-1	120C-79
0713496-4	30 -32	0713755-9	68B- 4	0713942-1	27 - 6A
0713497-3	30 -41	0713755-9	68C- 4	0713942-1	131 -72A
0713501-4	67 - 4	0713756-1	68A-22	0713942-2	27 - 6B
0713501-4	68 - 6	0713756-7	68A-23	0713942-2	131 -72B
0713501-5	67 - 5	0713756-8	68A-23	0713945-11	70 -19D
0713501-5	68 - 7	0713758-12	69A- 1	0713947-1	22 -13
0713503-16	69 -28	0713758-4	69A- 6	0713953-1	89 - 8A
0713503-25	69 -18	0713758-8	69A- 9	0713957-2	68B-22
0713503-7	69 -27	0713761-1	89 -18	0713957-2	68C-23
0713504-2	68 -50	0713761-1	90 -25A	0713958-1	□ 68B-22A
0713504-3	67 -51	0713762-1	68A-42	0713958-5	□ 68C-24
0713504-3	68 -50	0713762-1	68B-43	0713959-4	90 -42
0713505-1	89 -18	0713762-1	68C-48	0713961-1	70A- 8
0713506-1	28 - 9	0713764-12	68A-20	0713962-1	70A-13
0713506-1	29 -35	0713764-12	68B-20	0713962-2	70A-11
0713506-2	28 -10	0713764-13	68A-13	0713962-3	70A-14
0713506-2	29 -36	0713764-14	68A-20	0713962-4	70A-16
0713511-1	122 - 2	0713764-14	68B-20	0713965-2	28 - 8
0713514-1	69 - 1	0713764-16	68B-14	0713965-2	68C- 1
0713514-13-279	69 - 8	0713764-22	68B-20	0713966-1	68C-25
0713514-16-418	69 - 8	0713764-23	68B-20	0713966-3	68C-25
0713514-19-279	69 - 8	0713764-8	68A-13	0713967-1	68C-12
0713514-6-418	69 - 8	0713765-1	68A-19	0713968-1	68C-17
0713515-1	69 -11	0713766-10	28 -37A	0713968-2	68C-22
0713516-1	69 -12	0713766-3	28 -37	0714010-1	63C-21
0713517-1	69 - 5	0713766-4	31 - 9	0714010-2	63C-21
0713518-10	68 -11	0713766-5	28 -44	0715015-10	54 - 4
0713518-12-279	68 -12	0713766-6	28 -45	0715015-11	57A-14
0713518-18-418	67 -10	0713766-7	28 -39	0715015-12	57A-15
0713518-20-418	68 -12	0713766-8	28 -40	0715015-13	57A-19
0713518-8-279	68 -12	0713767-1	28 -19	0715015-14	57A-19
0713520-1	57 - 8	0713767-2	28 -18	0715015-3	# 57A- 1
0713520-2	57 - 9	0713824-1	100 - 9	0715015-6	# 57A- 3
0713521-6-279	69 -24	0713824-3	100A- 5	0715015-9	54 - 3
0713521-7-279	69 -24	0713825-1	28 -35A	0715018-1	# 64A- 1
0713521-7-418	69 -24	0713825-3	100A-15	0715018-10	# 64A-13
0713522-1-279	68 -64	0713826-1	87 -32	0715018-2	# 64A- 9
0713522-1-418	67 -64	0713827-1	100 -10	0715018-7	# 64A- 4
0713522-1-418	68 -64	0713827-1	100A- 7	0715019-1	68B-67
0713624-2	28 -21A	0713837-1	117B-54	0715020-1	□ 63 -21A
0713624-2	28 -22A	0713849-1	98 -55	0715029-1	68C-66
0713624-2	92 -14A	0713849-1	99A- 8	0716101	24 -34A
0713701-2	87 -15	0713851-1	98 -59	0716101	25 -24
0713705-4	2 -26	0713851-1	99A-17	0716102	106 -28
0713705-4	2A- 6	0713851-10	98 -65	0716104-1	107 -44
0713711-1	125A- 4	0713851-10	99A-16	0716104-2	107 -52
0713721-1	67 -92	0713851-5	98 -61	0716104-3	73 -67
0713721-1	68 -96	0713851-5	99A-12	0716106-1	2 - 6
0713724-1	2 -27	0713851-8	98 -62	0716106-1	55 -16
0713724-1	69 -16	0713851-8	99A-13	0716106-1	56 -12
0713738-3	68A-26	0713851-9	98 -63	0716106-2	2 - 7
0713738-3	69 -33	0713851-9	99A-14	0716106-2	55 -16

PART NUMBER	FIGURE AND INDEX NO.	PART NUMBER	FIGURE AND INDEX NO.	PART NUMBER	FIGURE AND INDEX NO.
0716106-2	56 -12	0720001-67	12 -13	0721100-6	6 -12
0716107-1	22 -13	0720001-68	11 -10	0721100-6	6 -17
0716108-1	103 -17	0720001-68	12 -13	0721100-6	6A- 5
0716108-1	104 -15	0720001-69	11 - 3	0721100-6	6A-13
0716108-1	105 -13	0720002-11	3 -14	0721100-7	4 - 9
0716109-1	103 - 2	0720002-12	3 -14	0721100-7	4 -13
0716109-1	111 -	0720004	127 -43	0721100-7	5 -12
0716110-1	103 -46	0720005-1	4 -38	0721100-7	5 -15
0716110-1	104 -43	0720005-1	5 -39	0721100-7	6 -12
0716110-1	105 -41	0720005-1	6 -39	0721100-7	6 -16
0716111-1	104 - 2	0720005-1	6A-38	0721100-7	6A- 6
0716111-1	105 - 2	0720007-1	13 - 7	0721100-7	6A-12
0716111-1	111 -	0720007-2	13 - 8	0721105-13	101 -25
0716112-1	2 -35	0720007-7	13 - 7	0721105-13	102 -22
0716112-1	68 -99A	0720007-8	13 - 8	0721105-14	101 -23
0716112-2	2 -36	0720016-1	3A-45	0721105-14	102 -20
0716113-1	2 - 6A	0720016-2	3A-45	0721105-15	101 -23
0716113-1	2B-17	0720601-15	7 -26	0721105-15	102 -20
0716113-2	2 - 7A	0720601-16	7 -26	0721105-3	101 -27
0716113-2	2B-18	0720601-17	11 - 2	0721105-3	102 -24
0716114-1	□ 105 -60	0720601-18	11 -17	0721105-38	101 -25
0716114-3	□ 105 -60	0720601-20	11 - 4	0721105-38	102 -22
0716115-1	105 -59	0720601-205	7 -17	0721105-39	101 -23
0716115-2	105 -59	0720601-21	12A- 9	0721105-39	102 -20
0716125-2	# 13 -12	0720601-24	11 -11	0721105-4	101 -28
0716127-1	# 13 -14	0720601-25	12A-10	0721105-4	102 -25
0716127-2	# 13 -14	0720601-64	12A-10	0721105-40	101 -23
0716128-28	67 -35	0720602-1	8 - 4	0721105-40	102 -20
0716128-30	67 -23	0720606-10	6A-34	0721105-5	101 -30
0716128-45	24 -45	0720606-3	6A-33	0721105-5	102 -27
0716129-1	108 -26	0720606-5	6A-33	0721105-8	101 -29
0716130-1	108 -18	0720606-8	6A-34	0721105-8	102 -26
0716131-1	73 -67	0720607-1	5 -23	0721107-1	4 -39
0716131-1	73A-76	0720607-1	6 -23	0721107-1	5 -42
0716132-1	2B-48	0720607-2	5 -24	0721107-1	6 -42
0716135-1	2 -35	0720607-2	6 -24	0721107-1	6A-23
0716135-1	2B-27	0720607-3	8 - 5	0721107-2	4 -39
0716169-1	104 -51A	0720607-4	8 - 6	0721107-2	5 -42
0716169-1	105 -49A	0720608-1	4 -23	0721107-2	6 -42
0716606-1	104 -34	0720608-15	5 -25A	0721107-2	6A-23
0716606-1	105 -32	0720608-15	6 -25A	0721111-1	4 -11
0716606-6	104 -34A	0720608-2	7 -28	0721111-1	5 -13
0716606-6	105 -32A	0720608-23	5 -25	0721111-15	5 -14
0716612-2	103 -44	0720608-23	6 -25	0721111-16	4 -11
0716612-202	106 -20	0720608-3	8 - 7	0721111-16	5 -13
0716612-204	105 -57	0720608-7	5 -25A	0721111-21	4 -11
0716613-3	105 -55	0720608-7	6 -25A	0721111-21	5 -13
0716613-4	105 -55	0720609-1	8 - 8	0721111-21	6A- 8
0716614-1	13 - 6A	0720610-1	8 -15	0721111-23	6A-10
0716614-3	13 - 6A	0720610-2	8 -16	0721111-24	6A-10
0716614-5	13 - 6A	0720612-1	12A- 7	0721111-25	6A- 8
0716623-2	105 -57A	0720612-2	12A- 4	0721111-3	4 -41
0716623-2	106 -20A	0720617-5	6A- 7	0721111-3	5 -41
0716624-1	105 -58C	0720618-10	3A-40	0721111-3	6 -41
0716624-1	106 -27A	0720618-9	3A-40	0721111-3	6A-42
0716632-1	104 -56	0721100-23	4 - 5	0721111-33	6A-42
0716632-2	105 -65	0721100-23	5 - 8	0721111-4	4 -41
0717000-1	52 - 1	0721100-23	6 - 8	0721111-4	5 -41
0717000-13	52 - 1	0721100-24	4 - 5	0721111-4	6 -41
0717000-15	52 - 1	0721100-24	5 - 8	0721111-5	4 -40
0717000-4	57 -21	0721100-24	6 - 8	0721111-7	4 -12
0717000-5	52 - 1	0721100-25	4 - 6	0721111-7	5 -14
0720001-10	11 -16	0721100-25	5 - 9	0721111-8	4 -12
0720001-12	7 -16	0721100-25	6 - 9	0721112-1	4 -35
0720001-42	7 - 1	0721100-26	4 - 6	0721112-1	6 -37
0720001-43	7 - 1	0721100-26	5 - 9	0721112-2	4 -35
0720001-44	11 - 9	0721100-26	6 - 9	0721112-2	6 -37
0720001-45	11 - 1	0721100-5	4 -11	0721112-3	4 -34
0720001-51	7 -15	0721100-5	5 -12	0721112-3	6 -36
0720001-52	7 -25	0721100-5	6 -12	0721112-4	4 -34
0720001-54	7 -15	0721100-6	4 -10	0721112-4	6 -36
0720001-55	7 -25	0721100-6	4 -14	0721114-1	101 -22
0720001-66	11 - 9	0721100-6	5 -12	0721114-1	102 -19
0720001-67	11 -10	0721100-6	5 -16	0721114-3	8A-24



PART NUMBER	FIGURE AND INDEX NO.
0721114-3	101 -22
0721114-3	102 -19
0721115-1	8A-25
0721115-1	101 -21
0721115-1	102 -18
0721116-1	4 - 8
0721116-1	5 -11
0721116-1	6 -11
0721116-2	4 - 8
0721116-2	5 -11
0721116-2	6 -11
0721117-1	5 -37
0721117-1	6A-34
0721117-2	5 -37
0721117-3	5 -36
0721117-3	6A-33
0721117-4	5 -36
0721118-1	13 -12
0721201-1	11 -23
0721201-2	11 -23
0721201-51	11 -22
0721201-67	11 -22
0721203-1	70B- 9
0721203-2	70B- 9
0721205-1	2 -46
0721205-1	2A-29
0721205-1	2B-22
0721205-1	2C-22
0721205-1	70B-13
0721207-1	70B- 9
0721207-2	70B- 9
0721306-1	13 -35
0721400-10	9 - 3
0721400-13	9 - 7
0721400-13	10 - 8
0721400-13	10A- 8
0721400-14	9 - 7
0721400-14	10 - 8
0721400-14	10A- 8
0721400-17	9 - 8
0721400-17	10 - 9
0721400-17	10A- 9
0721400-18	9 - 8
0721400-18	10 - 9
0721400-18	10A- 9
0721400-19	9 -15
0721400-20	9 -15
0721400-21	9 -
0721400-22	9 -
0721400-23	9 -16
0721400-24	9 -16
0721400-27	9 -16
0721400-28	9 -16
0721400-3	9 - 1
0721400-3	10 - 1
0721400-3	10A- 1
0721400-31	10 -19
0721400-31	10A-20
0721400-32	10 - 3
0721400-32	10A- 3
0721400-33	10 -18
0721400-33	10A-19
0721400-34	10 - 3
0721400-35	9 - 4
0721400-35	10 - 5
0721400-35	10A- 5
0721400-4	9 - 1
0721400-4	10 - 1
0721400-4	10A- 1
0721400-9	9 - 4
0721400-9	10 - 5
0721401-1	10 -
0721401-11	10A-
0721401-12	10A-

PART NUMBER	FIGURE AND INDEX NO.
0721401-13	10 -10A
0721401-13	10A-12
0721401-14	10 -10A
0721401-14	10A-12
0721401-15	10A-17
0721401-16	10A-17
0721401-17	10 -
0721401-18	10 -
0721401-19	10 -
0721401-2	10 -
0721401-20	10 -
0721401-3	10 -
0721401-4	10 -
0721401-5	10 -17
0721401-5	10A-18
0721401-6	10 -17
0721401-6	10A-18
0721401-7	10 -16
0721401-8	10 -16
0721402-1	10 -11
0721402-1	10A-11
0721402-2	10 -11
0721402-2	10A-11
0721402-3	10 -10
0721402-3	10A-10
0721402-4	10 -10
0721402-4	10A-10
0722012-1	5 -40
0722012-11	6A-39
0722012-16	6A-39
0722014-1	12 -17
0722014-1	12A-14
0722014-2	12 -17
0722014-21	12A-14
0722015-32	12 -19
0722015-33	12 -19
0722015-60	12A-16
0722015-61	12A-16
0722017-1	6A- 3
0722017-2	6A- 3
0722100-1	7 -18
0722100-1	8 -10
0722100-3	3 -27
0722100-4	3 -26
0722180-23	8A-26
0722180-24	8A-27
0722180-29	8A-
0722180-30	8A-
0722180-30	8A- 2
0722180-31	8A-
0722180-32	8A-
0722180-37	8A- 1
0722180-39	8A- 1
0722180-40	8A- 2
0722180-7	8A-25
0722180-8	8A-25
0722182-13	12A- 1
0722182-14	12A- 5
0722182-15	12A- 5
0722182-16	12A- 1
0722182-17	12A- 5
0722182-19	12A-11
0722182-20	6A-
0722182-21	6A-
0722182-22	6A-
0722182-23	6A-
0722183-13	8A- 3
0722183-14	8A- 3
0722184-2	8A-11
0722184-3	6A-46
0722185-1	8A-14
0722185-2	8A-15
0722185-2	8A-18
0722185-5	8A-12

PART NUMBER	FIGURE AND INDEX NO.
0722185-6	8A-16
0722186-1	8A-19
0722186-1	8A-22
0722186-3	8A-20
0722187-1	6A-43
0722187-2	6A-43
0722188-1	8A-29
0722188-2	8A-30
0722189-1	8A-31
0722189-2	8A-32
0722190-1	8A-33
0722190-2	8A-34
0722191-1	8A-35
0722191-2	8A-36
0722192-1	8A-37
0722192-2	8A-38
0722193-1	8A-39
0722193-2	8A-40
0722194-1	5 -18
0722194-2	6 -18
0722194-2	6A-15
0722194-2	5 -18
0722194-2	6 -18
0722194-2	6A-15
0722195-1	6A-16
0722196-2	6A-18
0722197-1	6A-19
0722197-2	6A-19
0722197-4	5 -22
0722197-4	6 -22
0722198-1	6 -23
0722198-1	6A-20
0722199-1	5 -24
0722199-1	6 -24
0722199-1	6A-21
0722200-1	6A-22
0722200-2	6A-22
0722201-1	4 -15
0722201-1	5 -17
0722201-1	6A-14
0722203-1	8A- 8
0723200-10	3A-35
0723200-11	3A-35
0723200-12	3A-35
0723200-5	3A-35
0723200-6	3A-35
0723200-9	3A-35
0723201-1	3A-32
0723201-2	3A-32
0723201-3	3A-32
0723201-4	3A-32
0723600-17	16 - 1
0723600-18	16 - 1
0723600-6	16 -10
0723600-7	16 - 1
0723600-8	16 - 1
0723601-2	16 -13
0723604-1	16 -11
0723605-1-791	16 -17
0723605-2-791	16 -17
0723605-3-791	16 -16
0723605-4-791	16 -16
0723605-6	3A-14
0723605-7	3A-15
0723605-8	3A-14
0723605-9	3A-15
0723615-200-791	5 -44
0723615-200-791	6 -44
0724108-1	6A-19
0724115-1	14 -22
0724115-1	14 -22
0724115-2	14 -22
0724115-3	14 -22
0724115-4	14 -22

PART NUMBER	FIGURE AND INDEX NO.
0726001-15	13 - 1
0726001-16	13 - 1
0726001-3	13 - 3
0726001-7	13 -30
0726002-1	13 -27
0726002-1	13 -27
0726110-1	13 -28
0731000-1	17 -18
0731000-11	18 -19
0731000-12	18 -32
0731000-13	20 -44
0731000-14	20 -46
0731000-15	18 -31
0731000-16	18 -29
0731000-17	18 -35
0731000-18	18 -36
0731000-19	20 -37
0731000-2	17 -19
0731000-2	18 -23
0731000-200-791	18 -39
0731000-21	18 -37
0731000-22	18 -33
0731000-23	18 -30
0731000-24	18 -38
0731000-25	18 -34
0731000-27	20 -27
0731000-3	17 -20
0731000-3	18 -24
0731000-30	20 -38
0731000-31	20 -11
0731000-32	18 - 9
0731000-33	17 -14
0731000-33	18 -11
0731000-34	18 -10
0731000-35	20 -47
0731000-36	20 -29
0731000-37	17 -17
0731000-37	18 -20
0731000-38	18 -18
0731000-39	20 -42
0731000-4	17 -21
0731000-4	18 -25
0731000-40	20 -
0731000-41	18 -
0731000-43	18 -12
0731000-45	20 -40
0731000-49	20 -24
0731000-5	17 -22
0731000-5	18 -26
0731000-50	20 -25
0731000-51	17 -40
0731000-52	20 -45
0731000-53	20 -43
0731000-6	20 -21
0731000-60	18 -21
0731000-7	20 -22
0731000-8	20 -23
0731000-83	18 -
0731000-87	18 - 9
0731000-9	20 -35
0731001-10	17 -
0731001-14	17 - 8
0731001-2	17 -34
0731001-200	17 -
0731001-201	17 -
0731001-3	17 -35
0731001-4	17 -35
0731001-5	17 -36
0731001-6	17 -37
0731001-7	17 - 8
0731001-8	17 -15
0731001-9	17 -38
0731002-1	17 -32
0731003-1	17 -27

PART NUMBER	FIGURE AND INDEX NO.
0731004-1	17 -28
0731005-1	17 -29
0731006-1	17 -31
0731007-1	17 -26
0731008-1	17 -30
0731009-1	17 -33
0731010-1	17 -24
0731012-1	17 -16
0731013-1	17 -15
0731015-1	17 -42
0731015-1	124 - 9
0731018-1	17 -25
0731019-1-791	18 -44
0731019-1-791	124A-10
0731019-2-791	17 -42
0731019-2-791	124A-10
0731021-1	17 -23
0731022-2	18 -27
0731022-4	18 -28
0731024-3	18 -
0731024-5	17 -18
0731024-5	18 -21
0731100-11	20 -10
0731100-11	20 -15
0731100-12	20 - 9
0731100-12	20 -13
0731100-13	17 -10
0731100-13	18 -14
0731100-14	17 - 9
0731100-14	18 -13
0731100-5	20 - 5
0731100-5	20 - 7
0731100-6	20 - 8
0731100-6	20 -14
0731100-7	17 -13
0731100-7	18 -17
0731100-9	17 -12
0731100-9	18 -16
0731607-1	124A- 9
0731608-1	70A-22
0731608-2	70A-22
0732100-10	21 -11
0732100-11	21 -10
0732100-3	21 -12
0732100-4	21 - 9
0732100-6	19 -27
0732100-7	19 -28
0732100-8	19 -29
0732101-10	19 -39
0732101-11	19 -39
0732101-4	19 -26
0732101-5	19 -15
0732101-6	19 -14
0732101-7	19 -43
0732102-3	19 -55
0732102-4	19 -56
0732102-5	19 -61
0732102-6	19 -62
0732102-7	19 -58
0732102-8	19 -59
0732103-1	19 -22
0732103-2	19 -22
0732106	19 -37
0732106-1	19 -37
0732600-2	19 -32
0732600-3	19 -34
0732600-4	19 -
0732600-5	19 -30
0732600-6	19 -31
0732600-7	19 -33
0732602-1	19 -22
0732602-2	19 -23
0732603-1	19 -25
0732604-1	19 -24

PART NUMBER	FIGURE AND INDEX NO.
0732605-2	19 - 4
0732606-3	19 - 6
0732607-1	19 - 5
0732608-1	19 -16
0732609-1	19 - 8
0732610-1	19 -21
0732610-2	19 -20
0732610-3	19 -19
0732610-4	19 -18
0732610-5	19 -17
0732611-1	19 - 9
0732611-2	19 -10
0732611-3	19 -11
0732611-4	19 -12
0732611-6	19 -13
0732613-1-791	19 -36
0732613-3-791	19 -36
0732616-1	19 -44
0733100	20 -11
0733100	20 -12
0733101-1	20 -31
0733101-3	21 -14
0733102-3	20 -20
0733102-5	20 -16
0733103	20 -19
0733105-2	20 -36
0733106-1	20 -28
0733107-1	20 -26
0733108-1	20 -30
0733110-1	20 -
0733110-2	20 - 6
0733110-3	20 -39
0733110-4	20 -34
0733110-5	20 -41
0733111-1	20 -47A
0734110-1	21 - 7
0734110-2	21 - 8
0734600-1	21 -
0734600-19	21 -
0734600-21	21 -
0734600-23	21 -
0734600-3	21 -28
0734600-4	21 -23
0734600-5	21 -22
0734600-7	21 -25
0734600-8	21 -27
0734600-9	21 -24
0734601-1	21 - 4
0734601-2	21 - 5
0734601-3	21 - 6
0734602-1	21 -17
0734602-2	21 -20
0734602-3	21 -19
0734602-4	21 -18
0734604-1	11 -13
0734605-1	21 -21
0734606-1	21 -29
0734608-1	21 -26
0734609-1	21 -26
0734610-2	21 -14
0734611-1	21 -29A
0741000-7	40 -13
0741000-7	41 -13
0741001-3	41 - 8
0741001-4	41 - 8
0741001-5	40 - 8
0741001-5	40A- 8
0741001-5	41 - 8
0741001-6	40 - 8
0741001-6	40A- 8
0741001-6	41 - 8
0741001-7	40 - 8
0741001-7	40A- 8

PART NUMBER	FIGURE AND INDEX NO.	PART NUMBER	FIGURE AND INDEX NO.	PART NUMBER	FIGURE AND INDEX NO.
0741001-8	40 - 8	0742110-5	127 -43	0742120-2	126 -12
0741001-8	40A- 8	0742110-6	127 -43	0742122-4	45 -15
0741004	41 -43	0742110-7	126 -17	0742122-4	46 -15
0741007-1	40 - 6	0742110-7	127 -21	0742122-4	46A-15
0741007-1	41 - 6	0742110-7	128 -19	0742122-4	47 -
0741007-1	127 -58	0742111-1	24 -43	0742122-5	46A-15
0741007-1	128 -53	0742111-1	126 -11	0742122-5	46B-15
0741008-1	40 -34	0742111-2	24 -43	0742122-5	47 -
0741008-1	41 -31	0742112	45 - 4	0742123-2	126 -38
0741008-2	40 -35	0742112	46 - 4	0742124-1	126 -65
0741008-2	41 -32	0742112	46A- 4	0742124-2	126 -57
0741008-3	40 -37	0742112	46B- 4	0742124-3	126 -57
0741008-3	41 -34	0742115-11	126 -51	0742125-5	46 -20
0741008-4	40 -36	0742115-12	126 -50	0742125-5	46A-50
0741008-4	41 -33	0742115-15	127 -56	0742126-1	46 -24
0741008-5	40 -27	0742115-15	128 - 2	0742126-1	46A-54
0741008-5	41 -24	0742115-16	127 -18	0742127-1	46 -25
0741022-1	40 - 6	0742115-16	128 -16	0742127-1	46A-55
0741022-1	40A- 6	0742115-17	127 -55	0742128-1	46 -26
0741022-2	41 - 6	0742115-17	128 -51	0742128-1	46A-56
0741026-3	40 - 6	0742115-18	127 -55	0742129-1	46 -27
0741027-2	42 - 1	0742115-18	128 -51	0742129-1	46A-57
0741027-200	42 -21	0742115-19	127 -18	0742130-1	35B-32
0741027-201	42B-20	0742115-19	128 -16	0742130-1	46 -30
0741048-8	42B-20	0742115-20	127 -19	0742130-1	46A-60
0741048-8	40 -38	0742115-20	128 -17	0742131-1	46 -32
0741048-8	40A-43	0742115-21	126 -32	0742132-1	46 -44
0741061-1	70A- 2	0742115-21	127 -27	0742134-1	46 -45
0741061-2	70A- 2	0742115-21	128 -25	0742136-1	46A-42
0741061-3	70A- 3	0742115-22	126 -32A	0742136-1	46B-61
0741061-4	70A- 3	0742115-22	127 -28	0742137-1	46A-37
0741061-5	70A- 4	0742115-22	128 -26	0742137-4	46A-27
0741061-6	70A- 4	0742115-22	128 -26	0742138-1	46A-26
0741103	40 -28	0742115-25	30 -52	0742138-3	46A-36
0741103	41 -25	0742115-26	30 -52	0742139-1	46A-39
0741105-1	40A-21	0742115-28	126 -18	0742139-4	46A-39
0742100-11	45 - 8	0742115-28	127 -22	0742140-4	40A-16
0742100-15	45 - 8	0742115-28	128 -20	0742140-5	40A-16
0742100-15	46 - 8	0742115-31	126 -49	0742141-1	40A-32
0742100-15	46A- 8	0742115-37	127 -51	0742141-1	40A-32
0742100-15	46B- 8	0742115-37	128 -47	0742141-2	40A-25
0742100-18	45 - 8	0742115-4	127 -34	0742141-3	40A-23
0742100-19	45 - 8	0742115-4	128 -32	0742141-4	40A-27
0742100-20	45 - 8	0742115-4	127 -47	0742141-5	40A-33
0742100-20	46 - 8	0742115-44	128 -44	0742141-6	40A-35
0742100-20	46A- 8	0742115-44	127 -47	0742141-8	40A-22
0742100-20	46B- 8	0742115-45	128 -44	0742143-1	42B-27
0742100-5	45 - 1	0742115-45	126 -25	0742144-1	42B-27
0742100-5	46 - 1	0742115-5	127 -30	0742144-2	45 -17
0742100-5	46A- 1	0742115-5	128 -28	0742145-1	46A-16A
0742100-5	46B- 1	0742115-50	127 -17	0742145-1	46B-16
0742100-6	45 - 5	0742115-50	128 -15	0742146-1	45 -11
0742100-6	46 - 5	0742115-51	127 -17	0742146-1	46B-11
0742100-6	46A- 5	0742115-6	128 -15	0742147-3	45 - 9
0742100-6	46B- 5	0742115-6	126 -26	0742147-3	46B- 9
0742100-8	45 - 9	0742115-6	127 -31	0742147-4	45 - 8
0742100-8	46 - 9	0742115-6	128 -29	0742147-4	46B- 8
0742100-8	46A- 9	0742115-7	126 -33	0742147-5	45 -15
0742100-8	46B- 9	0742115-7	127 -32	0742147-5	48B-
0742100-9	45 - 8	0742115-7	128 -30	0742147-6	46B-15
0742101-3	46B-15	0742116-2	127 -41	0742147-6	48B-
0742101-3	48B-	0742116-2	128 -39	0742147-6	45 - 7
0742101-4	45 -15	0742116-3	127 -41	0742200-5	46A- 7
0742101-4	48B-	0742116-3	128 -39	0742200-5	46B- 7
0742102	45 -11	0742116-3	127 -54	0742200-5	99 -36
0742102	46 -11	0742117-2	128 -50	0742200-5	45 -10
0742102	46A-11	0742117-3	127 -54	0742200-6	46 -10
0742102	46B-11	0742117-3	128 -50	0742200-6	46A-10
0742108-1	127 -63	0742117-4	127 -53	0742200-6	46A-43
0742109-1	127 -62	0742117-4	128 -49	0742200-6	46B-10
0742110-19	127 -35	0742117-5	127 -53	0742373	127 -50
0742110-19	128 -33	0742117-5	128 -49	0742373	128 -46
0742110-20	127 -36	0742119-1	127 -48	0742400	45 -15
0742110-20	128 -34	0742119-1	128 -45	0742400	48 -
		0742120-1	126 -12		

PART NUMBER	FIGURE AND INDEX NO.
0742400-10	48 -
0742400-10	48A-
0742400-11	48 -22
0742400-11	48A-22
0742400-13	45 -15
0742400-13	48A-
0742401	48 -20
0742401-1	48 -26
0742401-10	48 -27
0742401-11	48 -35
0742401-12	48 -37
0742401-13	48 -36
0742401-14	48 -40
0742401-3	48 -39
0742401-4	48 -28
0742401-5	48 -29
0742401-6	48 -31
0742401-7	48 -32
0742401-8	48 -33
0742401-9	48 -34
075-05400	42A-28
075-05401	42A-28
0750025-1	117D-17
0750027-1	121 -30
0750027-1	122 -31
0750028-2	114 -24
0750031-1	75 - 5
0750032-1	108 - 9
0750032-1	110 - 2
0750035-1	114 -21
0750036-1	116 - 3
0750036-1	117A- 3
0750037-1	116 -11
0750037-1	117A-11
0750038-1	73 -63
0750038-3	73 -63
0750038-3	73A-72
0750038-3	76A-19
0750038-3	77B-22
0750038-4	73 -63
0750038-4	73A-72
0750038-4	76A-18
0750038-4	77B-21
0750100-11	117 - 3
0750100-11	136 - 3
0750100-12	117 -11
0750100-12	136 - 9
0750101-61	79 -
0750103-1	116 - 2
0750103-1	117 - 2
0750103-1	117A- 2
0750103-1	136 - 2
0750104-1	136 - 1
0750104-2	136 - 1
0750104-3	136 - 1
0750111-19	77 -23
0750111-19	78 - 4
0750111-21	78 - 4A
0750113-1	77 -26
0750113-1	78 -11
0750117-21	84 -34
0750117-21	85 -21
0750117-31	84 -54
0750117-31	85 -41
0750119	75 -29
0750121	76 -48
0750121	77 -43
0750125-1	118 - 1
0750125-10	118 -15
0750125-11	118 -14
0750125-2	118 - 2
0750125-3	118 - 3
0750125-4	118 - 6
0750125-5	118 - 9

PART NUMBER	FIGURE AND INDEX NO.
0750125-6	118 -10
0750125-7	118 -11
0750125-8	118 -12
0750125-9	118 -13
0750126-4	77 -28
0750128-1	84 -27
0750128-100	85 -10
0750128-11	84 -40
0750128-11	85 -13
0750128-11	85 -27
0750128-13	84 -21
0750128-13	85 - 9
0750128-14	84 -41
0750128-14	85 -28
0750128-15	84 -42
0750128-15	85 -29
0750128-16	84 -33
0750128-16	85 -20
0750128-17	84 -28
0750128-17	85 -14
0750128-21	84 -32
0750128-21	85 -19
0750128-37	84 -15
0750128-37	85 - 3
0750128-38	84 -13
0750128-38	85 - 1
0750128-42	84 -16
0750128-42	85 - 4
0750128-44	85 -10
0750128-53	85 -23
0750128-55	84 -24
0750128-57	84 -18
0750128-58	84 -17
0750128-66	84 -36
0750128-93	84 -17
0750128-93	85 - 5
0750128-94	84 -18
0750128-94	85 - 6
0750128-97	84 -24
0750130-3	83 -10
0750130-31	83 -13
0750130-4	83 -11
0750130-42	83 - 7
0750130-44	83 - 2
0750130-46	83 - 3
0750130-48	83 - 9
0750130-5	83 -12
0750130-6	83 - 6
0750131-1	77 -20
0750131-1	78 - 2
0750131-1	78A- 2
0750132-1	76 - 2
0750132-1	77 - 3
0750132-2	77 - 4
0750133-21	77 -22
0750133-22	77 -30
0750133-7	77 -21
0750133-7	78 -16
0750133-8	77 -22
0750133-9	77 -25
0750135-1	84 -44
0750135-1	84 -47
0750135-1	85 -31
0750135-1	85 -34
0750135-11	84 -52
0750135-11	85 -39
0750135-3	84 -50
0750135-3	85 -37
0750135-4	84 -51
0750135-4	85 -38
0750135-8	84 -51
0750137	76 - 4
0750137	77 - 2
0750138	74 -28

PART NUMBER	FIGURE AND INDEX NO.
0750138	75 -22
0750139	74 -37
0750140-5	76A- 9
0750140-5	77B-10
0750140-5	121 - 3
0750140-5	122 - 4
0750140-6	76 -34
0750140-6	77 -44
0750141-1	76 -60
0750141-1	77 -45
0750142-1	77 -34
0750142-1	77B-18
0750144-1	77 -18
0750144-15	77 -18
0750144-16	77 -18
0750144-20	77 -31
0750144-21	77 -18
0750144-6	77 -31
0750146-1	73 -63
0750146-3	73 -63
0750146-4	73 -63
0750146-4	76A-19
0750146-4	77B-22
0750147-3	114 -37
0750147-5	114 -23
0750148-1	85 -49
0750148-2	85 -46
0750149-1	85 -51
0750149-2	85 -52
0750149-3	85 -53
0750149-4	85 -54
0750149-5	85 -55
0750150-1	77 -41
0750152-1	85 -45
0750152-2	76 -188
0750152-2	77 -50
0750152-2	84 - 1
0750152-3	77A- 4
0750153-10	113 -33
0750153-10-3	115 -10
0750153-3	113 -35
0750153-3	115 -12
0750153-8	113 -23
0750153-8	115 - 1
0750156-1	77 -27
0750158-1	77 -15
0750159-1	75 -42
0750160-1	77 -45
0750161-17	82 - 7
0750161-22	82 - 3
0750161-24	82 - 2
0750161-25	82 - 8
0750161-28	82 - 5
0750161-31	82 - 1
0750161-36	82 - 7
0750161-58	82 - 6
0750161-61	82 - 5
0750161-64	82 - 1
0750162-10	78 -
0750162-3	78 -14
0750162-4	78 -15
0750162-6	78 -
0750162-7	78 -
0750162-9	78 -
0750163-4	78 - 7
0750164-5	78 - 8
0750166-4	74 -16B
0750166-4	76 -43
0750167-1	78 -12
0750169-6	76 -39
0750171-1	78 -17
0750171-1	78 -21
0750171-1	78A- 8
0750171-4	76 -41

PART NUMBER	FIGURE AND INDEX NO.
0750171-5	78 - 9
0750171-5	78A- 4
0750173-1	78 - 6
0750173-2	78 - 6
0750174-3	78 -19
0750175-1	76A-20
0750175-1	78 - 3
0750175-1	78A- 3
0750177-5	113 -30
0750177-6	113 -29
0750178-1	76 -27
0750179-5	76 -63
0750179-8	78 -20
0750180-1	78 -18
0750181-1	78 - 8A
0750181-1	78A- 7
0750182-4	78 - 7A
0750192-2	73 -37
0750192-3	73 -37
0750195-7	74 -81
0750202-1	74 -28
0750203-1	80 -
0750204-1	76 -61
0750205-1	126 -78
0750207-1	78 - 7B
0750207-2	78 - 7B
0750207-3	78 - 7B
0750209-1	75 - 6A
0750211-1	77 -45
0750213-1	121 -38
0750213-1	122 -37
0750216-1	76A-12
0750216-1	77B-13
0750216-1	121 - 5
0750216-1	122 - 6
0750217-1	121 -34
0750217-1	122 -33
0750220-1	121 -40
0750220-1	122 -35
0750220-1	123B- 9
0750221-1	121 -39
0750221-1	122 -38
0750222-2	76 -61
0750223-1	75 -29
0750225-1	77 -67
0750225-2	77 -68
0750228-2	75 -29
0750230-1	74 -62
0750230-1	75 -45
0750232-1	105 -64
0750233-1	75 -29
0750282-1	75 -43
0750283-1	76 -60
0750283-1	77 -45
0750341-1	74 -99B
0750607-4	77 -65
0750607-5	77 -65
0751001-13	77 - 8
0751001-25	127 -55
0751001-25	128 -51
0751001-27	77 - 8
0751001-27	126 -73
0751003-30	76 - 9
0751003-31	76 - 9
0751003-31	126 -73
0751004-1	75 - 6
0751004-1	75 - 6
0751004-2	75 - 7
0751004-2	75 - 7
0751005-1	74 - 4
0751005-1	76 -12
0751005-2	74 - 4A
0751005-3	74 - 4
0751005-4	74 - 4A

PART NUMBER	FIGURE AND INDEX NO.
0751006-2	76 -10
0752000-117	73 -11
0752000-117	73A-11
0752000-56	73 - 8
0752000-64	73 - 5
0752004-1	71 -12
0752004-2	71 -14
0752004-6	71 -11
0752004-7	71 -11
0752005-4	71 - 7
0752013-1	73 -45
0752013-1	73A-49
0752013-2	73 -45
0752013-2	73A-50
0752014-1	73 -49
0752014-1	73A-58
0752014-10	73 -58
0752014-10	73A-67
0752014-11	73 -52
0752014-11	73A-61
0752014-12	73 -59
0752014-12	73A-68
0752014-15	73 -53
0752014-15	73 -60
0752014-15	73A-62
0752014-15	73A-69
0752014-17	73 -50
0752014-17	73 -57
0752014-17	73A-59
0752014-17	73A-66
0752014-2	73 -56
0752014-2	73A-65
0752014-23	73 -49
0752014-24	73 -56
0752014-25	73 -52
0752014-26	73 -58
0752014-27	73 -59
0752014-28	73 -51
0752014-9	73 -51
0752014-9	73A-60
0752015-10	73 -17
0752015-10	73A-20
0752015-19	73 -19
0752015-19	73A-22
0752015-21	73 -21
0752015-21	73A-24
0752015-22	73 -22
0752015-22	73A-25
0752015-23	73 -29
0752015-23	73A-32
0752015-31	73 -18
0752015-31	73A-21
0752015-39	73 -20
0752015-39	73A-23
0752016-10	73 -34
0752016-10	73A-38
0752016-11	73 -34
0752016-11	73A-38
0752016-12	73 -34
0752016-13	73 -34
0752016-14	73A-37
0752016-6	73 -34
0752016-7	73 -34
0752016-7	73A-38
0752018-10	73 -41
0752018-10	73A-36
0752018-13	73 -41A
0752018-18	73 -33A
0752018-200	73 -33
0752018-22	73 -41A
0752018-22	73A-44
0752018-23	73 -33A
0752018-23	73A-43
0752018-8	73 -33

PART NUMBER	FIGURE AND INDEX NO.
0752018-8	73A-35
0752018-9	73 -33
0752019-10	73 -14
0752019-10	73A-17
0752019-11	73 -14
0752019-11	73A-17
0752020-1	73 -43
0752020-1	73A-51
0752020-3	73 -43
0752020-3	73A-51
0752021-1	73 -34
0752021-1	73A-38
0752022-1	73 -23
0752022-1	73A-26
0752023-1	73 -35
0752023-1	73 -39
0752023-1	73A-39
0752023-1	73A-41
0752023-3	73 -36
0752023-3	73 -40
0752023-4	73 -40
0752023-4	73A-42
0752023-5	73 -36
0752023-5	73A-40
0752024-11	71 - 1
0752024-11	72A-
0752024-12	71 - 1
0752024-12	72A-
0752024-15	71 - 1
0752024-15	72A-
0752024-5	71 - 1
0752024-5	72 -
0752025-1	73 -46
0752025-7	73 -46
0752025-7	73A-56
0752030-15	73 -42
0752030-18	73A-48
0752030-20	73A-48
0752030-8	73 -13
0752030-8	73A-17
0752030-9	73 -13
0752030-9	73A-17
0752031-15	73 -26
0752031-16	73 -26
0752031-16	73A-29
0752031-17	73 -27
0752031-17	73A-30
0752031-18	73 -27
0752031-18	73A-30
0752031-19	73 - 2
0752031-19	73A- 2
0752031-20	73 - 2
0752031-20	73A- 2
0752031-200	73 -12
0752031-201	73 - 1
0752031-202	73 -42
0752031-203	73 -16
0752031-204	73 -16
0752031-205	73 - 1
0752031-206	73 -12
0752031-206	73A-16
0752031-207	73 -42
0752031-208	73 - 1
0752031-208	73A- 1
0752031-209	73 -16
0752031-210	73 -16
0752031-211	73 -16
0752031-212	73 -16
0752031-213	73A-19
0752031-214	73A-19
0752031-22	73 - 6
0752031-22	73A-15
0752031-24	73 - 3
0752031-26	73 - 4

PART NUMBER	FIGURE AND INDEX NO.
0752031-26	73A- 7
0752031-29	73 -12
0752031-30	73 -42
0752031-36	73 -28
0752031-36	73A-31
0752031-37	73 -16
0752031-49	73A- 5
0752031-50	73 - 3
0752031-50	73A- 4
0752031-51	73 -11A
0752031-51	73A-13
0752031-52	73A-14
0752031-56	73 -26
0752031-56	73A-29
0752031-7	73 -24
0752031-7	73A-27
0752031-8	73 -25
0752031-8	73A-28
0752031-9	73 -28
0752031-9	73A-31
0752032-1	73 -15
0752032-1	73 -15
0752032-1	73A-18
0752033-1	28 - 5
0752033-1	29 -37
0752033-2	28 - 5
0752033-2	29 -37
0752035-1	73 -41D
0752035-1	73A-47
0752036-2	87A- 6
0752036-2	129 -35
0752036-3	87A- 7
0752036-3	129 -36
0752036-4	87A- 8
0752036-4	129 -37
0752036-6	87A-11
0752036-6	129 -40
0752037-1	76 -53
0752037-1	77 -55
0752037-1	113 - 7
0752038-1	77 -57
0752041-1	71 -20
0752041-3	71 -20
0752042-1	71 -23
0752042-5	71 -23
0752043-1	71 -16
0752044-1	71 -21
0752044-3	71 -21
0752047-1	73 -36
0752047-1	73A-40
0752609-2	73 -55
0752609-2	73 -62
0752609-27	73 -55
0752609-27	73 -62
0752609-27	73A-64
0752609-27	73A-71
0752610-1	125A- 9
0752611-1	125A-11
0752620-1	71 -26
0752626-1	73 - 8
0752626-1	73A- 9
0752627-1	73 -11A
0752627-1	73A-12
0752628-1	73 -46
0752628-1	73A-55
0752644	125B- 9
0752644-1	125B- 1
0752644-2	125B- 2
0752644-5	125B- 8
0752646-1	125B- 6
0753000-13	33 - 2
0753000-13	33 -18
0753000-14	33 - 3
0753000-15	33 - 3

PART NUMBER	FIGURE AND INDEX NO.
0753000-23	33 - 4
0753000-24	33 - 4
0753000-26	33 -19
0753000-27	33 -19
0753000-28	33 -14
0753000-29	33 -14
0753002-9	33 - 1
0753003-1	34 -15
0753003-1	34A-10
0753008-1	33 - 8
0753008-1	33 -48
0753009-1	28 - 2
0753009-1	29 - 6
0753009-2	28 - 3
0753009-2	29 - 7
0753010-1	89 - 2
0753011-1	89 - 1
0753011-3	89 - 1
0753012-1	33 -12
0753012-7	33 -13
0753013-1	33 -16
0753017-1	33 -11
0753017-2	33 -12
0753018-201	33 -12
0753018-202	33 -12
0753018-3	33 -13
0753018-4	33 -20
0753018-5	33 -21
0753018-6	33 -22
0753020-1	33 -49
0753020-2	33 -48
0753021-1	33 -17
0753023-200	33 -12
0753023-201	33 -12
0753023-202	33 -12
0753023-3	33 -13
0753023-4	33 -13
0753026-1	33 -46
0755002-2	77A- 5
0756001-13	68 - 3
0756001-13	68 - 4
0756001-13	104 -42
0756001-13	105 -40
0756001-3	109 -10
0756001-3	110 -19
0756001-4	68 - 3
0756001-8	109 -24
0756001-8	110 -32
0756002	109 -18
0756002	110 -25
0756003-1	74 -52
0756003-1	76 -54
0756005-1	110A-
0756005-2	110A-17
0756005-3	108 - 2
0756005-3	110A-
0756008-1	110A- 2
0756009-1	110A- 8
0756009-5	110A- 9
0756009-7	110A- 8
0756010-1	110A-12
0756011-1	110A- 7
0756012-1	110A-15
0756014-1	110A-10
0756014-2	110A-14
0756015-1	110A- 4
0756018-2	113A-23
0756019-1	113A-25
0756020-1	113A-29
0756021-1	113A-26
0756022-1	113A-32
0756022-2	113A-31
0756023-1	113A-33
0756024-1	113A-22

PART NUMBER	FIGURE AND INDEX NO.
0760005-1	96 - 4
0760006-1	55 -17A
0760012-1	92 -18A
0760012-2	92 -19A
0760012-3	92 -18A
0760012-4	92 -19A
0760012-6	92 -19A
0760012-7	92 -18A
0760016-1	94B- 2
0760017-3	94B- 6
0760018-1	94B- 4
0760019-5	94B- 1
0760019-7	94B- 1
0760023-1	94B-26
0760111-2	14 -19
0760618-1	5 -43
0760618-1	6 -43
0760618-1	6A-35
0760618-2	5 -43
0760618-2	6 -43
0760618-2	6A-36
0760679-2	19 -43
0761000-4	94A-43
0761000-4	94A-43
0761202	96 -26
0761202-2	96 -31
0761202-3	117 -16
0761202-50	96 -30
0761205	100 - 5
0761205-2	100 - 6
0761205-3	100 - 8
0761205-3	100A- 5
0761205-3	131 - 3
0761205-3	132 - 3
0761205-8	100A-
0761205-9	100A- 3
0761210-1	100 - 7
0761210-1	100A- 4
0761210-1	131 - 2
0761210-1	132 - 2
0761210-4	100 -18
0770011-19	134 -20
0770011-24	134 - 8
0770011-29	134 -59
0770011-30	134 -55
0770011-33	134 -98
0770011-37	134 -27
0770012-13	134 -26
0770012-13	134 -32
0770012-13	134 -48
0770012-13	135 -34
0770012-13	135 -40
0770012-13	135 -54
0770012-15	134 -99
0770012-17	135 -41
0770012-39	135 -36
0770012-43	135 -46
0770012-45	134 -64
0770012-45	134 -90
0770012-45	135 -55
0770012-5	135 - 1
0770012-6	135 -18
0770012-7	134 - 1
0770012-8	135 -20
0770012-9	135 -35
0770028-3	134 -99C
0770028-4	134 -99D
0770028-5	134 -95
0770028-6	134 -96
0770038-2	121 -32
0770038-2	121 -42
0770038-2	122 -32
0770038-2	122 -41
0770056-1	67 -88

PART NUMBER	FIGURE AND INDEX NO.
0770056-1	68 -92
0770057-1	67 -91
0770057-1	68 -95
0770102-1	68D-10
0770104-1	68D-10
0770104-1	68E-17
0770104-2	68D-10
0770104-2	68E-17
0770657-1	121 -10
0770657-1	122 -11
0770712-1	35A-14
0770719-1	68D- 2
0770719-2	68E- 2
0770728-1	121 -10
0770728-1	122 -11
0770762-1	18 -22
0770100-11	32 -13
0791100-12	32 -13
0791100-3	25 -17
0791101-12	24 -54
0791101-12	26 - 1
0791101-15	26 -
0791101-16	26 -
0791101-17	24 -54
0791101-17	26 - 1
0791101-7	26 -
0791102-10	24 -
0791102-11	25 -
0791102-12	24 -
0791102-13	24 -
0791102-14	24 -
0791102-15	24 -
0791102-16	24 -
0791102-17	24 -
0791102-18	26 -
0791102-18	32A-14
0791102-19	32A-14
0791102-2	25 -27
0791102-20	24 -
0791102-21	24 -
0791102-22	24 -
0791102-23	24 -
0791102-3	25 -30
0791102-3	26 - 2
0791102-4	25 -25
0791102-4	32 -
0791102-5	32 -
0791102-5	32A-
0791102-6	25 -34
0791102-8	23 - 1
0791102-9	24 -24
0791200-10	35A-
0791200-11	35A-
0791200-7	35 - 1
0791200-7	35A-63
0791200-7	38 -
0791200-8	23 - 2
0791200-8	35 -
0791300-10	30 -22
0791300-5	29 -18
0791300-6	29 -22
0791300-9	30 -11
0791302-3	29 -30
0791302-4	29 - 1
0791302-4	30 -
0791302-7	29 -
0791302-7	33 -
0791302-8	25 -48
0791302-8	29 -
0791303-1	28 -
0791303-2	28 -48
0791303-3	28 -
0791303-4	28 -
0791303-5	28 -

PART NUMBER	FIGURE AND INDEX NO.
0791303-6	28 -
0791303-7	28 -
0791303-8	28 -
0791309-10	28 -
0791309-9	28 -
0792000-22	4 -
0792000-23	4 -
0792000-24	4 -
0792000-25	4 -
0792000-8	7 -
0792000-9	7 -
0800023-3	59 -37
0800023-3	59A-40
0800023-3	62 -15
0800023-5	59 -36
0800023-5	59A-39
0800023-5	62 -13
0800030-14	119 -27
0800030-19	119 -34
0800030-2	119 -24
0800030-4	119 -33
0800030-5	119 -30
0800045-15	120 - 8
0800045-23	120 -16
0800045-24	120 - 7
0800045-6	120 - 9
0800111-2	70 -17
0811490-6	90 -20
08118	47 - 8
08118	48B- 8
08118	48 - 7
08118	48A- 7
0812362-1	119 - 9
0812363-1	119 -15
0812366-1	119 -31
0812369-1	119 -32
0813150-54	90 -20
0813150-55	90 -20
0813156-4	90 -21
0813503-8	129 -11
0813503-8	129 -22
0813526-6	52 -17
0813569-1	68A-15
0813569-1	68B-16
0813569-2	67 -68
0813569-2	68 -68
0813601-4	76 -24
0813601-6	76 -24
0813601-9	68 -21
0813610-3	88 - 3
0813610-6	88 - 3
0813619-2	136 - 5
08231	47 - 2
08231	48B- 2
08231	48 - 1
08231	48A- 1
0850375-1	104 -30D
0850375-1	105 -28D
0851559-1	76 - 6
0851583-2	109 -22
0851583-2	110 -30
0851583-3	109 -20
0851583-3	110 -28
0851592-1	109 -23
0851592-1	110 -31
0851700-96	84 -53
0851700-96	85 -40
1A0218	113 -33
1A0218	115 -10
1A0233	113 -34
1A0233	115 -11
1A0235	113 -33
1A0235	115 -10
1A1001	61 -53

PART NUMBER	FIGURE AND INDEX NO.
1A1001	63 -75
1N1344A	121 -56
1N1344A	122 -54
10-24X1/2	42 -17
10-24X1/2	42B-16
10-8001C	120C-18
10-8001C	120C-19
10004-101	70 -23
10004-98	70 - 4
1007	1 - 4
102PDLN4	67 -57
102PDLN4	68 -56
1024A-B	1 - 3
1066-2	80 -37
1071-1	102 -47
109450	114 -29
109531	114 -30
109532	114 -30
1101-1	80 - 1
1101-3	80 - 2
1101-4	80 -11
1103-1	80 -35
1104-2	80 -43
1104-4	80 -51
1104-7	80 -42
1106-1	80 -40
110691	1 -47
110691	68A-47
110691	68B-48
110691	68C-53
1107-1	80 -36
1110-1	80 -46
1110-4	80 -25
1110-9	80 -34
1111-517700	107 - 7
1114-2	80 -52
1114-4	80 -48
1114-6	80 - 3
1114-7	80 -49
1115-1	80 -50
1117-3	80 -31
1127-2	80 -30
1127-4	80 -39
1131-2	80 -33
1132-1	80 -19
1132-3	80 -12
1132-5	80 -20
1133-3	80 - 8
1133-4	80 -28
1140-2	80 -27
1140-3	80 -15
1140-5	80 -17
1140-7	80 -13
1140-9	80 -14
1151-1	80 - 9
1165-2	80 -22
1165-3	80 -32
1171-2	80 - 7
1171-9	80 -10
1173-1	80 -18
12-4862	120C-22
12RB	94B-25
12SE1-3	74 -99B
1200018-1	88A-23A
1200018-2	88A-23A
1200052-1	120 -18
1200054-2	120 -10
1200055-1	120 -20
1200057-1	119 - 2
1200057-1	120 - 2
1200058-1	119 - 1
1200058-1	120 - 1
1200059-1	120 -25
1200065-3	13 - 2

PART NUMBER	FIGURE AND INDEX NO.
1200065-4	13 - 2
1200077-10	134 -65
1200077-10	135 -56
1200077-12	135 -64
1200077-13	134 -97
1200077-15	135 -47
1200077-16	134 -15
1200077-17	134 - 6
1200077-18	134 -13
1200077-2	134 -17
1200077-22	134 -12
1200077-23	134 -14
1200077-25	135 -59
1200077-26	135 -60
1200077-27	134 -28
1200077-28	134 -29
1200077-3	134 -86
1200077-3	135 -80
1200077-31	134 -30
1200077-34	134 -31
1200077-37	134 -91
1200077-39	135 -31
1200077-4	134 -86
1200077-4	135 -80
1200077-5	134 -74
1200077-5	135 -67
1200077-7	134 -85
1200077-7	135 -81
1200077-8	134 -87
1200077-8	135 -58
1200077-8	135 -82
1200077-9	134 -74
1200077-9	135 -78
1200078-10	135 -52
1200078-11	135 -43
1200078-12	135 -42
1200078-15	135 -53
1200078-2	135 -29
1200078-7	135 -25
1200079-10	134 -37
1200079-2	134 -35
1200079-3	134 -36
1200079-4	134 -49
1200079-6	134 -49
1200079-8	134 -47
1200079-9	134 -46
1200084-6	58 -29
1200084-7	58 -30
1200086-5	53 -10
1200086-6	53 -11
1200092-1	62 -51
1200103-3	64 -22
1200103-4	64 -22
1200103-5	64 -23
1200106-108	76 -21
1200106-108	77 -11
1200106-51	13 -14
1200106-52	13 -14
1200108-1	59 -39
1200108-1	59A-42
1200108-1	62 -14
1200116-1	70 -14
1200116-2	70 -14
1200130-1	123 -19
1200134-1	59 -38
1200134-1	59A-41
1200134-1	62 -15
1200136-1	62 -26
1200136-1	63 -34
1200136-1	63B-30
1200136-1	63C-51
1200137-1	62 -54
1200138-1	62 -44
1200138-1	63 -47

PART NUMBER	FIGURE AND INDEX NO.
1200138-1	63C-65
1200138-2	63C-33
1200139-1	62 -41
1200139-1	63 -43
1200139-1	63C-37
1200141-1	62 -39
1200141-1	63 -36
1200141-2	62 -39
1200141-2	63 -36
1200142-1	62 -24
1200142-2	62 -24
1200143-1	62 -52
1200143-2	62 -52
1200146-1	62 -35
1200147-1	62 -28
1200147-2	62 -29
1200152-1	62 -30
1200154-1	62 -45
1200156-1	62 -47
1200156-1	63 -49
1200157-1	62 -37
1200158-1	62 -61
1200158-5	62 -61
1200159-1	62 -49
1200159-1	63 -51
1200159-3	63C-60
1200161-1	62 -17
1200162-21	62 - 1
1200162-22	62 - 1
1200162-23	62 -16
1200162-24	62 -16
1200162-25	62 - 3
1200162-26	62 - 3
1200162-27	62 -20
1200162-28	62 - 9
1200163-1	62 -23
1200163-2	62 -23
1200164-1	62 -19
1200164-1	63 -58
1200186-1	62 -43
1200186-1	63 -46
1200191-200	86 -10
1200191-201	86 -11
1200415-5	120A-21
1200415-5	120B-27
1200415-7	120A-17
1200415-7	120A-34
1200415-7	120B- 8
1200415-7	120C- 8
1200429-12	120B-70
1200429-12	120C-72
1200429-13	120B-69
1200429-15	120C-71
1200429-15	120B-68
1200429-15	120C-70
1200478-2	63A-26
1200503-1	61 -46
1200503-1	61A-46
1200504-1	61 -38
1200504-1	61A-37
1200504-3	61 -44
1200504-3	61A-44
1200505-1	61 -40
1200505-1	61A-39
1200605-11	61 -17
1200605-11	61A-17
1200605-11	63 -16
1200605-12	61 -12
1200605-12	61A-12
1200605-12	63 -10
1200605-221	61 -16
1200605-222	61 - 1
1200605-223	61A- 1
1200605-224	61A-16

PART NUMBER	FIGURE AND INDEX NO.
1200605-33	61 -13
1200605-33	61A-13
1200605-33	63 -11
1200605-34	61 -
1200605-35	61A-
1200605-40	61A-
1200637-5	8A-10
1200637-5	88A-51
1200661-2	2 -29
1200678-2	2 -41
1200678-2	2A-26
1200678-2	101 -38
1200678-2	102 -34
1200691-1	88A-49
1200713-1	2 -37
1200713-1	2A-24
1201039-1	70 - 5A
1205001-157	2C-32
1205001-158	2C-32
1205001-159	2C-32
1205001-160	2B-45
1205001-161	2B-45
1205001-59	2B- 4
1205001-60	2B- 4
1205001-61	2C- 4
1205001-62	2C- 4
1205010-1	2 -48
1205010-1	2A-20B
1205010-2	2 -49
1205010-2	2A-20C
1205010-3	2B-11
1205010-3	2C- 8
1205010-4	2B-12
1205010-4	2C- 9
1205013-14	2C- 6
1205013-15	2B- 6
1205013-4	2A-31
1205013-6	2 -51
1205015-1	2B-14
1205015-1	2C-11
1205015-1	57 -22
1205024-1	2B-15
1205024-1	2C-12
1205024-1	125A-13
1205030-16	2C- 2
1205030-17	2B- 3
1205030-7	2B- 2
1205030-7	2C- 1
1205043-1	2B-33
1205043-1	2C-36
1205043-1	86 - 5
1205047-1	2B-48
1205085-1	2B-34
1205085-1	2C-40
1205088-1	2B-43
1205088-15	2C-31
1205088-16	2B-44
1208	42 -2
1208	42 -15
1208	42B-11
1208	42B-14
1210	42 -18
1210	42B-17
1210020-200	24 -
1210020-200	25 - 1
1210020-4	24 - 1
1210020-8	24 - 1
1210029-2	32 - 4
1210029-2	32A- 4
1210029-5	32A- 4
1210030-1	24 - 9
1210030-2	24 -10
1210032-1	24 -83A
1210032-2	24 -83A

PART NUMBER	FIGURE AND INDEX NO.
1210054-1	54 - 2
1211203-1	70 -24
1211250-1	49 -40
1211250-2	50 -36
1211250-7	49 -40
1211250-7	50 -36
1211251-1	49 -40
1211251-1	50 -36
1211252-1	52 -15
1211836-1	49 -39
1211836-1	50 -35
1212011-1	38 -21
1212012-1	38 -21
1213004-2	68C-18
1213035-4	67 - 8
1213035-4	68 -10
1213037-2	87 -33
1213043-1	88 - 6
1213127-1	30 - 1
1213158-1	113 -42
1213228-3	68 -29
1213228-3	74 - 7
1213229-2	68 -32
1213229-2	74 - 8
1213379-4	68C-18A
1213379-4	68C-22A
1213505-8	68A-42
1213535-1	2 -45
1213535-1	2A-28
1213535-1	37 - 8A
1213535-1	125A-13
1213645-1	68C-13
1215034-200	# 61 -14
1215034-200	# 63 -12
1215056-2	70 -29
1216012-1	107 -29
1217005-2	51A- 1
1220-1-0	95A-11
1220002-201	5 -
1220002-202	5 -
1220002-207	8 -16
1220002-209	5 -
1220002-21	12 - 2
1220002-210	5 -
1220002-211	5 -
1220002-212	5 -
1220002-213	5 -
1220002-215	8 - 9
1220002-22	12 - 8
1220002-25	12 -14
1220002-26	12 -15
1220002-27	12 -12
1220002-36	8 -
1220002-37	8 -
1220002-38	8 -11
1220002-40	8 -13
1220002-41	8 -12
1220002-46	12 - 1
1220002-48	12 - 6
1220002-49	12 - 6
1220002-50	8 -16
1220002-51	8 -16
1220002-52	8 -17
1220002-53	8 -17
1220002-77	8 -17
1220002-79	8 -17
1220002-80	12 -15
1220002-84	8 -11
1220002-85	12 - 7
1220002-89	12A-12
1220002-90	5 -
1220002-91	5 -
1220003-15	12 - 1
1220003-16	12 - 7A

PART NUMBER	FIGURE AND INDEX NO.
1220003-18	8 -16
1220003-201	6 -
1220003-209	8 -16
1220003-211	6 -
1220003-213	6 -
1220003-215	6 -
1220003-27	8 -17
1220003-28	8 -17
1220003-30	12 - 7A
1220003-35	6 -
1220003-80	11 -11
1220004-15	12 - 1
1220004-17	8 -17
1220004-18	8 -16
1220004-202	6 -
1220004-208	6 -
1220004-210	6 -
1220004-27	12 - 7A
1220004-32	6 -
1220006-21	12 -18
1220006-21	12A-15
1220006-22	12 -18
1220006-22	12A-15
1220007-20	12 -20
1220007-30	12A-20
1220007-37	12 -20
1220007-62	12A-18
1220007-63	12A-18
1220019-1	6 -14
1220019-10	6 -13
1220019-13	6 -40
1220019-13	6A-40
1220019-17	6A-41
1220019-18	6 -13
1220019-18	6A- 7
1220019-19	6 -14
1220019-19	6A- 9
1220019-2	6 -14
1220019-20	6 -14
1220019-20	6A- 9
1220019-21	6A-11
1220019-22	6A-11
1220019-3	6 -15
1220019-35	6A-40
1220019-4	6 -15
1220019-6	6 -40
1220019-9	6 -13
1220022-3	13 -45
1220094-2	3 -49
1220094-2	3A-17
1220095-3	12 - 7C
1220095-3	12A-24
1221010-13	4 -25
1221010-13	5 -29
1221010-13	6 -29
1221010-14	4 -25
1221010-14	5 -29
1221010-14	6 -29
1221010-15	6A-26
1221010-7	4 -25
1221010-7	5 -29
1221010-7	6 -29
1221024-1	10 - 4
1221024-1	10A- 4
1221101-1	4 - 7
1221101-1	5 -10
1221101-1	6 -10
1221101-2	4 - 7
1221101-2	5 -10
1221101-2	6 -10
1221101-3	6A- 4
1221101-4	6A- 4
1221201-3	3 -37
1221201-3	3A-28

PART NUMBER	FIGURE AND INDEX NO.
1221201-4	3 -37
1221201-4	3A-28
1222012-1	3A-20
1222013-3	12A-17
1222013-3	12A-19
1222013-6	12A-17
1222013-6	12A-19
1222021-1	12A-25
1222021-1	12 -25
1222021-1	# 11 -14A
1222022-1	3 -11A
1222022-1	3A-22
1226-3	80 -24
1226-4	80 -29
1230-1	80 -23
1230-2	75 -11
1231-1	80 -21
1232-4	80 -47
1232000-5	19 -22
1232000-6	19 - 4
1232000-7	19 -45
1232000-8	19 -
1232104	19 -19
1232105	19 -20
1232106	19 -21
1232114-1	19 -24
1232116	19 - 6
1232117	19 - 7
1232118-1	19 -38
1232118-1	19 -38
1232118-2	19 -38
1232118-2	19 -38
1234029-1	21 -30
1241063-2	40 -38
1241063-2	40A-43
1241063-2	41 -47
1241156-10	42A- 1
1241157-1	42A-15
1250106-1	84 -29
1250134-1	84 -58
1250207-1	121 -43
1250207-1	122 -42
1250208-1	121 -43
1250208-1	122 -42
1250211-4	121 - 5
1250211-4	122 - 6
1250213-15	123B-15
1250214-1	123B- 5
1250215-1	123B- 8
1250401-3	87 -28
1250405-1	113A-35
1250407-1	113A-18
1250408-1	113A-19
1250409-1	113A-20
1250410-3	2 -42
1250410-3	2A-25
1250410-3	2B-21
1250410-3	2C-21
1250410-3	113A-16
1250412-1	71 -25
1250921-2	113A-33
1250922-2	113A-22
1253031-3	89 -19
1253032-1	89 - 3
1253032-4	89 - 3
1253033-2	89 - 5
1253034-1	89 - 4
1253037-1	89 - 6
1253040-1	89 - 5
1253041-1	89 - 8
1260016-1	96 -41
1260021-1	92 -35
1260043-2	116 -32
1260043-2	117 -30

PART NUMBER	FIGURE AND INDEX NO.
1260043-2	117A-29
1260458-6	68B-54
1260458-6	92 -40
1260458-7	68B-54
1260458-7	68C-58
1260458-7	92 -40
1260460-1	92 -188
1260460-2	92 -198
1260460-4	92 -198
1260460-5	92 -188
1260474-1	35A-69
1270015-1	121 -24
1270015-1	122 -29
1270432-2	123 -61
1270479-1	68A-47
1270479-1	68B-48
1270479-1	68C-53
1270682-1	94A-49A
1270682-1	94B- 9
1270683-1	94B-11
133A3	117A- 5
13830	43 - 6
13836	42 - 4
13836	42A- 7
13836	42B- 4
13889	42 - 7
13889	42A- 9
13889	42B- 6
13889	43 - 6
1400014-1	2 -31
1400014-1	2A-19
1411202-201	49 -30
1411202-201	50 -28
1414082-13	54 - 2
1414082-14	54 - 1
1414082-18	54 - 1
1414082-20	54 - 1
1414082-21	54 - 2
1414082-6	54 - 2
1414082-7	54 - 1
1414100-212	60 -32
1414100-212	61 -34
1414100-212	61A-33
1414100-212	63 -69
1414100-8	60 -16
1414100-8	61 -18
1414100-8	61A-18
1414100-8	63 -17
1414100-9	60 -11
1414100-9	61 -13
1414100-9	63 -11
1414100-9	63A- 9
1414103-12	60 -22
1414103-2	60 -21
1414103-2	61 -23
1414103-2	61A-22
1414103-45	61 -24
1414103-45	61A-23
1414103-6	60 -23
1414103-6	61 -25
1414103-6	61A-24
1414104-1	60 -48
1414104-1	63 -77
1414104-39	60 -29
1414104-39	61 -31
1414104-39	61A-30
1414104-4	60 - 3
1414104-4	61 - 4
1414104-4	61A- 4
1414104-4	63 - 3
1414104-4	63A- 5
1414104-40	60 -30
1414104-40	61 -32
1414104-40	61A-31

PART NUMBER	FIGURE AND INDEX NO.
1414104-41	60 -31
1414104-41	61 -33
1414104-41	61A-32
1414104-42	60 -31
1414104-42	61 -33
1414104-42	61A-32
1414104-45	60 -37
1414104-46	60 -39
1414104-54	63B-21
1414104-54	63C-91
1414104-56	60 -40
1414104-56	63 -60
1414104-56	63B-11
1414104-56	63C-79
1414104-8	60 -45
1414104-8	61 -43
1414104-8	61A-43
1414104-8	63 -64
1414104-8	63B-16
1414107-1	60 -50
1414107-1	61 -52
1414107-1	61A-52
1414107-1	63 -79
1414110-1	60 -12
1414110-1	61 -14
1414110-1	63 -12
1414110-3	60 -14
1414110-3	61 -16
1414110-3	63 -14
1414111-2	63 - 9A
1414111-5	63 - 9A
1414112-1	60 -28
1414112-1	61 -30
1414112-1	61A-29
1414116-1	60 -42
1414116-1	61 -42
1414116-1	61A-42
1414116-1	63 -61
1414116-1	63B-15
1414116-1	63C-86
1414217-2	60 -17
1414217-3	60 -18
1414217-3	61 -20
1414217-3	63 -22
1414217-3	63A-17
1414217-7	60 -17
1414217-7	61 -19
1414217-7	63 -23
1414217-7	63A-17
1414223-34	61 -50
1414223-34	61A-50
1414230-1	60 - 9A
1414230-1	61 -11
1414230-1	61A-11
1414231-4	60 -49
1414231-4	61 -51
1414240-3	63B-
1414240-3	63B-
1414240-4	63B-
1414240-4	63B-
1414241-3	63B-36
1414241-4	63B-37
1414242-1	63B-29
1414243-1	63B-32
1414245-2	63B-10
1414247-1	63B-24
1414248-1	63B- 8
1414249-2	63B-23
1414252-1	60 -59
1414252-1	63 -89
1414252-1	64 -23
1414252-2	60 -60
1414252-2	61 -62
1414252-2	63 -90

PART NUMBER	FIGURE AND INDEX NO.
1414252-2	64 -24
1414252-6	60 -62
1414252-6	63 -92
1414252-6	64 -26
1414252-7	60 -61
1414252-7	63 -91
1414252-7	64 -25
1414257-5	63A-25
1414258-1	63A-22
1414259-1	63A-24
1414261-1	63A-21
1414262-1	63A-13
1414264-13	63A-10
1414264-5	63A-12
1414265-11	63A-
1414265-12	63A-
1414265-212	63A- 2
1414265-213	63A-13
1414265-8	63A-16
1414266-1	63A-20
1414267-1	63A-28
1414268-1	63A-27
1414269-1	63A-21B
1441001-2	40 -10A
1441001-2	40A-10A
1441003-1	40 -16
1441003-1	41 -17
145-10	42 -38
145-10	42A-29
1450009-1	74 -82
1460320-1	91 - 1
1460320-1	91 -27
1460320-1	92 - 1
1460320-1	92 -24
1460501-21	91 - 2
1460501-21	91 -28
1460501-21	92 - 2
1460501-21	92 -25
1460501-36	92 -25
1460505-1	92 -28A
1470089-10	123A-20
1470089-14	123A-21
1470089-6	123A-28
1470089-8	123A-30
1505014-1	2B-12A
1505014-1	2C- 9A
1505014-2	2B-12A
1505014-2	2C- 9A
1505015-16	2C- 7
1505015-17	2B- 7
1505015-30	2C- 7
1505015-31	2B- 7
1510040-5	22 -24
1511205-13	49 -22
1511205-13	51A-
1511205-14	50 -22
1511205-14	51A-
1511205-16	49 -22
1511205-16	51A-
1511205-17	50 -22
1511205-17	51A-
1511205-6	50 -22
1511205-6	51A-
1511205-7	49 -22
1511205-7	51A-
1511206-11	51A-15
1511206-13	51A-16
1511206-14	51A-16
1511206-20	51A-12
1511206-4	51A-19
1511207-1	51A-17
1511208-12	51A-28
1511208-13	51A-28
1511208-16	51A-30

PART NUMBER	FIGURE AND INDEX NO.	PART NUMBER	FIGURE AND INDEX NO.	PART NUMBER	FIGURE AND INDEX NO.
1511208-17	51A-31	1650031-1	74 -93	189739	81C-20
1511208-3	51A-28	1650031-5	74 -92A	189744	79A- 3
1511208-4	51A-28	1650037-1	74 -66	189744	81C- 3
1511209-1	51A-27	1652012-6	73A-53	190094	79 -17
1511209-10	51A-20	1652012-9	73A-52	190576	79 -42
1511209-11	51A-20	1652013-25	73 -41C	190733	79 -12
1511209-12	51A- 5	1652013-25	73A-46	190734	79 - 6
1511209-8	51A-11	1652013-28	73 -41B	19118	47 - 2
1511212-1	51A-24	1652013-28	73A-45	19118	48 - 1
1511212-3	51A-24	1652013-3	74 -97A	19118	48A- 1
1511212-5	51A-24	1652013-5	74 -94A	19118	48B- 2
1511212-6	51A-24	1653008-1	33 -47	191869	79 -31
1514059-1	63A-21A	1656003-1	76 -79	191869	79A-24
1514223-28	61 -47	1656003-5	76 -73	191869	81C-28
1514223-28	61A-47	1656005-1	76 -80	192103	79 -18
1520006-1	3 -42	1656006-1	76 -75	1924	123A-26
153-15	42A-14	1660300-40	70A-20	192528	79 -34
154-13	42A-15	1713039-1	95B-29	192558	79 -41
156-1	42 - 8	1713039-1	117C-13	192558	79A-36
156-1	42B- 7	1713039-1	#	192558	81C-38
1560001-13	94A-46A	1714000-200	63C-89	192707	81C-31
1560110-1	94A-50	1714000-33	63C-87	192709	79A-27
1560110-3	94A-49A	1714035-1	61 -63	193385	79 -19
1560218-1	74 -99B	1714035-1	63 -91	193385	79A-12
1570043-1	68A-63	1714035-1	64 -25	193385	81C-15
1570043-1	68B-64	1714040-1	#	196195	79A-11A
1570043-1	68C-68	1714040-1	#	2-11	120B-65
1570043-3	125A- 5	1714040-1	#	2-11	120C-67
1570142-2	94A-51	1714040-2	#	2-15	120B-64
1570149-200	94A-43	1714040-2	#	2-15	120C-66
1570149-201	94A-46A	1714040-2	#	2N441	122 - 2
1570149-202	94A-46A	1714061-1	63C-84	20H3P	121 -56
1570150-1	94A-51	1714067-2	63C-83	20H3P	122 -54
16-2000C	120C-21	1714067-4	63C-83	2013L2	63C-66A
16-8375C	120C-19	1777	39 -11	2013131-1	70 -30
16-8500C	120C-18	1777	39 -11	2013142-1	102A- 4
1600010-117	76 -63	180231	79 -36	2014-2	63C-66A
1600010-12	13 - 6B	180231	79A-29	2015009-3	70 -24
1600010-47	76 -71	180231	81C-33	2015009-3	70 -24
1600069-1	70A- 1	1816TR	123A-25	204864	79 - 9
1600069-2	70A- 1	182684	79 -37	204864	79A- 8
1605022-3	2B-39	182747	79A-32	204864	81C- 8
1605029-1	2B-38	182747	81C-34	206336	79 - 5
1605034-1	2B-40	183-1	42 -37	206336	79A- 5
161-25	42 - 3	183-1	42A-26	206336	81C- 5
161-25	42B- 3	183-1	42B-35	206337	79 -25
161-30	42A- 2	184793	79 -13	206337	79A-18
161-4	42 - 3	1862	47 -35	206337	81C-21
162-10	42 - 2	1862	48A-29	209AC	103 -49
162-10	42B- 2	1862	48B-30	209AC	104 -46
162-27	42A- 3	1863	47 -23	209AC	105 -44
162-4	42 - 2	1863	47 -34	210031	79 -10
1620058-1	10 -21A	1863	48 -20	210031	79A- 9
1620058-1	10A-23	1863	48A-20	210031	81C- 9
1620075-3	3A-37	1863	48A-28	210036	79 - 8
1631010-1	18 -33	1863	48B-21	210036	79A- 7
1631010-2	18 -32	1863	48B-29	210036	81C- 7
164-03600	42A- 8	186320	79 -39	210039	79 -27
164-15A	42A- 8	186320	79A-34	210039	79A-19
164-15K	42A- 8	186320	81C-36	210039	81C-23
164-7	42 - 5	1866-30	42 - 6	210095	79 -11
164-7	42B- 5	188141	79A-21	210100	79 -32
1642000-4	45 - 8	188141	81C-25	210112	79 -16
1642000-4	46B- 8	188302	79 -30	210206	79 - 7
1650010-1	76 -67	188302	79A-23	210207	79 -14
1650010-2	76 -68	188302	81C-27	210214	79 -33
1650012-1	78A-	188434	79 -28	210216	79A-31
1650014-2	78A-10	188434	79A-20	210216	81C-40
1650015-1	78A- 9	188434	81C-24	210253	79 - 1
1650016-1	76 -84	189482	79A-16	210253	79A- 1
1650017-1	76 -85	189482	81C-19	210253	81C- 1
1650019-8	78A-12	189574	79A-13	210257	79 -40
1650020-1	78A-12	189574	81C-16	210257	79A-35
1650021-2	73 -38	189739	79A-17	210257	81C-37



PART NUMBER	FIGURE AND INDEX NO.
210259	79 - 2
210261	79A-10
210261	81C-10
210269	79 -35
210272	79 -22
210289	79 -15
210293	79 -26
2103	117A-36
2103	117B- 5
210326	79A-26
210326	81C-30
210382	79A-11
210393	79A-11B
210394	79A-11B
210396	79A- 6
210396	81C- 6
210398	79A-28
210398	81C-32
210399	79A-15
210399	81C-18
213200	79A-30
213200	81C-39
213214	79A- 2
213214	81C- 2
213232	79A-25
213232	81C-29
214202	79A-11C
218036	79 - 3
2182D-R	68A-42
218446	79 -38
218446	79A-33
218446	81C-35
218537	79A-22
218537	81C-26
218547	79A- 4
218547	81C- 4
22A21-22-02	20 -33
22FH428	43 - 5
22FH632	93 - 4
22NA17A-054	127 - 8
22NA17A-054	127 -13
22NA17A-054	128 - 8
22NKM-02	31 - 8
22NKM-02	129 -53
2504-1	47 -22
2504-1	48 -19
2504-1	48A-19
2504-1	48B-20
2598	47 -32
2598	48A-33
2598	48B-34
26R8-2	107 -52
26R8-2	108 -21
2600	48 -20
2600	48A-20
2600	48B-21
2602	47 -38
2602	48A-32
2602	48B-33
27-121	42 -16
27-121	42B-15
28S10-2	73 -68
28S10-2	73A-77
28S7-4	73 -68
28S7-4	73A-77
28S7-4	107 -52
2904-1	68B-35
2904-1	95B- 1
2904-1	95B-31
295055	13 - 6
295055	13 - 6
2981A4-27	67 -15
3002	42 -23
3002	42B-22

PART NUMBER	FIGURE AND INDEX NO.
3006	42B-29
3007	42B-25
3013	42 -33
3013	42B-32
3021	42A-11
3022	42A-10
3023	42A-12
30370-0100	68A-35
30370-0100	68B-36
30370-0100	117B- 2
30370-0100	117C- 2
30370-0102	68B-36
30370-0102	117C- 2
30475-0000	68A-36
30475-0000	117B- 4
312-12	107 -51
312-12	108 -21
3219	47 -15
3219	48 - 9
3219	48A- 9
3219	48B-14
3222	48 -10
3222	48A-10
3223	48A-37
3223	48B-38
3225	47 -29
3225	48 -23
3225	48A-23
3225	48B-27
3226	47 - 7
3226	48 - 5
3226	48A- 5
3227	47 -33
3227	48A-27
3227	48B-28
3228	48A-36
3228	48B-37
3233	48B-49
3236C2	47 -27
3236C2	48 -21
3236C2	48A-21
3236C2	48B-25
3244	48A-26
3244	48B-27
3245-1	47 -23
3246	47 -39
3247	47 -40
3257	47 -17
3257	48 -13
3257	48A-13
3257	48B-16
3258	47 -20
3258	48 -11
3258	48A-11
3258	48B-18A
3258-1	47 -20
3258-1	48 -12
3258-1	48A-12
3258-1	48B-18A
33-199-1	109 - 5
33-199-1	110 -11
33-199-4	110 - 8
33-199-45B	109 - 7
33-199-45B	110 -13
33-199-5	109 - 3
33-199-5	110 - 9
33-199-6	109 - 4
33-199-6	110 -10
33-199-71	109 - 2
33-199-8	109 - 6
33-199-8	110 -12
33-199-901	109 - 1
33-199-902	110 - 7
330R	67 -80

PART NUMBER	FIGURE AND INDEX NO.
330R	68 -80
34-828-1	81 - 1
34-828-1	81B- 1
34-828-10	81 -30
34-828-10	81B-30
34-828-11	81 -14
34-828-11	81B-14
34-828-12	81 -23
34-828-12	81B-23
34-828-13	81 -41
34-828-13	81B-41
34-828-14	81 -16
34-828-14	81B-16
34-828-15	81 - 7
34-828-15	81B- 7
34-828-19	81 - 9
34-828-19	81B- 9
34-828-2	81 - 2
34-828-2	81B- 2
34-828-20	81 -13
34-828-20	81B-13
34-828-24	81 -15
34-828-24	81B-15
34-828-25	81 -25
34-828-25	81B-25
34-828-26	81 -19
34-828-26	81B-19
34-828-27	81 - 5
34-828-27	81B- 5
34-828-28	81 -31
34-828-28	81B-31
34-828-31	81 -26
34-828-31	81B-26
34-828-34	81 - 6
34-828-34	81B- 6
34-828-7	81 -10
34-828-7	81B-10
34-828-8	81 -29
34-828-8	81B-29
34-828-9	81 -17
34-828-9	81B-17
34-828-902	81 -42
34-828-902	81B-42
34-828-903	81 -32
34-828-903	81B-32
34-828-907	81 -39
34-828-907	81B-39
34-831-905	81 -11
34-831-905	81B-11
3407	47 -10
3407	48 - 8
3407	48A- 8
3407	48B-10
3408	47 -11
3408	48 -14
3408	48A-14
3408	48B-11
3408-1	47 -12
3408-1	48 -15
3408-1	48A-15
3408-1	48B-12
3408-2	47 -12
3408-2	47 -16
3408-2	48 -17
3408-2	48A-17
3408-2	48B-12
3410-3	48 - 6
3410-3	48A- 6
3410-5	47 -13
3410-5	48B-13
3411	47 - 9
3411	48 -16
3411	48A-16
3411-3	47 - 9

PART NUMBER	FIGURE AND INDEX NO.	PART NUMBER	FIGURE AND INDEX NO.	PART NUMBER	FIGURE AND INDEX NO.
3411-3	488- 9	4002-3	73 -31	539547	76A-10
3412	48 - 1	4002-4	73 - 7	539547	77B-11
3412	48A- 1	4002-4	73 -30	539911	76 - 7
3412-1	47 - 1	4002-4	73 -32	550	1 -13
3412-1	48B- 1	4002-4	73 -44	5579654	113A-12
3412-2	48B- 1	4002-4	129 - 8	561	42 -26
3413	48 - 2	4002G	73 -31	561	42 -30
3413	48A- 2	4002G	73A-33	561	42A-20
3413-1	48B- 3	4002G	129 - 8	561	42A-22
3423-1	47 - 3	4002H	73 - 7	561	42B-25
3423-3	47 - 3	4002H	73 -30	561	42B-29
3426	47 -45	4002H	73 -32	576.1	1 - 5
3426	48B-43	4002H	73 -44	579.6	1 - 6
3426	46A-44	4002H	73 -44	59-022-044-375	64 -12
3426	46B-51	4002H	73 -45A	6F20-D	121 -56
3427	47 - 7A	4002H	73A- 8	6F20D	122 -54
3427	48B- 7A	4002H	73A-34	600-015-8	40A-31
3432	47 -19	4002H	73A-54	60232-1	68A-58
3432	48B-17	40760-0104	68C-38	60232-1	68B-55
3433	47 -18	40760-0104	117C- 2	60232-1	68C-59
3433	48B-18	4140-00-17	108 -24	604-200-200	68B-35
3433-1	47 -20	4157-001	94B-20	604-200-200	68C-37
3476	47 -47	4189	13 -40	604-200-200	95B- 1
3476	48B-45	4196	13 -39	604-200-200	95B-31
3476	46A-49	4197	13 -40	61-18	42A-16
3476	46B-18B	4199	13 -40	61-7	42 -22
3477	47 -44	43-1761	121 -56	61-7	42B-21
3477	48B-42	43-1761	122 -54	62-15	42A-17
3477	46A-45	4509	125B- 7	625017	77B- 7
3477	46B-52	48143	38 -38	625093	77B- 6
3478	47 -41	48155	11 -15	625219-2A1	76A-22
3478	48B-39	48172	15 -20	625219-2A6	76A-22
3478	46A-46	485-60	107 -18	625303	76 -17A
3478	46B-53	49165-22	134 -70	625303	76A- 7
3478-1	48B-39	49265	67 -82	625303	77 -47
3478-1	46B-53	49265	68 -82	625303	77B- 8
3479-1	48B-15	49265F938	54 - 4	625765	76A- 1
351-11-05-001	94B- 5	49265F938	57 -18	625765	77B- 1
351-11-05-001	94B-12	49265F938	57 -25	625966	77A- 3
35985	77B-20	49265F938	57 -25	626062-3A5	76A-23
36837	128 -53	49265F938	57A-17	626189	76 -17
3690	2B-51	49265F938	58 -11	626189	76A- 5
3690	2C-41	49265F938	58 -20	626189	77 -46
3690-1/2	1 -46	49265F938	58 -20	626332	77A- 1
3690-1/4	1 -46	49265F938	66 -13	626341	77A- 2
3690-1/8	1 -46	49265K2215	67 -65	626342	77A- 2
37-206	42A-26	49265K2215	68 -65	627335-12	76A-25
37206	42 -37	49330	22 -20	627335013	76A-25
37206	42B-35	49330	22 -27	627377	121 - 5
37570-0001	68B-37	49330	23 -22	627377	122 - 6
37570-0001	117C- 4	49330	27 - 8	627392	77B- 6
38520A	42 -13	49330	126 -73	627773	77 - 7
38520A	42B-12	49330	127 -26	628472	76A- 1
3859A281-251A	94B-23	49330	128 -24	628473	76A- 1
39014	76 -81	49330	131 -59	629076	76A- 3
39091	42 - 9	49330	132 -59	629076	77B- 3
39091	42B- 8	5021-002	81C-11	629176	76A-15
4NCC910P	21 -35	51045	63 -74	629176	77B-16
40S5-3	73 -31	511846-4	43 -17	629411A1	76A-21
40S5-3	73A-33	5169	3 -50	630947-1A1	76A-23
40S5-3	73A-34	5169	14 -32	630948	76A- 4
40S5-4	73 - 7	5169	20 -48	631237	77B- 1
40S5-4	73 -30	5169	21 -36	631351-3A1	76A-24
40S5-4	73 -32	52-048-250-0375	47 - 7	631427A3	76A-24
40S5-4	73 -44	52-048-250-0375	48B- 7	633005	77B- 4
40S5-4	73 -44	534750	76A- 2	633006	77B- 4
40S5-4	73 -45A	534750	77B- 2	633007	77B- 4
40S5-4	73A- 8	537282	76 -17B	633027	77B-19
40S5-4	73A-54	537282	76A- 6	633311	76A- 4
4002-244-16	28 - 4	537282	77 -47	633311	77B- 5
4002-244-16	29 - 8	537312	76 -17A	639151	77A- 3
4002-244-16	73 - 3	537312	77 -47	639171	77A- 3
4002-244-16	73A- 3	538076	76A-14	639410	74 -99A
4002-244-16	129 -13	538076	77B-15	639411	74 -99A

